

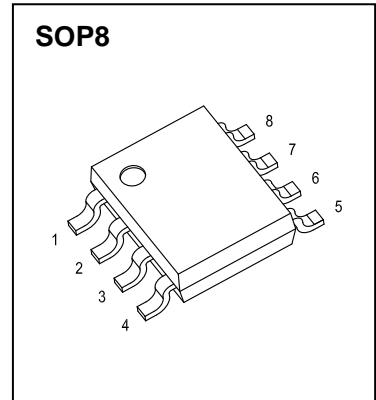


JIANGSU CHANGJING ELECTRONICS TECHNOLOGY CO., LTD

SOP8 Plastic-Encapsulate MOSFETS

CJQ13P04 P-Channel Power MOSFET

$V_{(BR)DSS}$	$R_{DS(on)TYP}$	I_D
-1 €X	11{ 0 -F€X	-FH€E
	F4.4{ 0 -I Ě X	



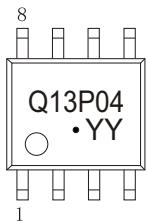
DESCRIPTION

UHFPEI MOCaA & aU[] [* ^ A , aOaI , A^ a ca & A ae ae ^ A[A] [ca ^ A cd ^ { ^ | ^ A , AUOUPIE V @ A a ^ ca / a / a ^ A [A] ae A , ae Oa a A ae ^ A [c & a] A [aca] • A

APPLICATIONS

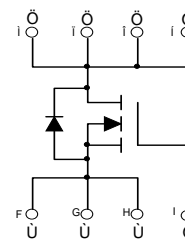
- AAAAAAAAAAAAAAAAAAAAAAAAAAAAAAAAAA
- Š ae A , ae @

MARKING



UHFPEI MOCaA & aU[] [* ^ A { [| a a * A [] [^] a A ^ ca A E A [] ^ E @ A } [| : a A ^ ca A Y Y A M O [a ^

Equivalent Circuit



ABSOLUTE MAXIMUM RATINGS (Ta=25°C unless otherwise noted)

Parameter	Symbol	Value	Unit
Öi ae E U [~ & A X [ca ^ A	XouA	-1 €	XA
Öae E U [~ & A X [ca ^ A	XouA	† GE A	
Ö [] ca ^ [~ • Öi ae A Ö ~ ^) c	QA ¹	-FH	CA
U ~ • a A Öi ae A Ö ~ ^) c	QT ²	-I G	
T ae a ~ { AU [, ^ Ö a • a ae } A	UoA ³	FÈ A	YA
Single Pulsed Avalanche Energy	EAS ³	200	mJ
V @ : { a A ^ • a ca & A [{ A R } & a] A A E a a } c	U _{RCE} ⁶	89	°C BY A
R' & a] A ^ [] ^ ae ^ A	V _R A	Fí € A	°C
Ü q : ae ^ A ^ [] ^ ae ^ A	V _{UV} O A	Ě í d A E Fí €	
Š ae A ^ [] ^ ae ^ A [AU [a a * AU] [] • • Q F D q A [{ A ae ^ A [A € D A	V _S A	G € A	

MOSFET ELECTRICAL CHARACTERISTICS

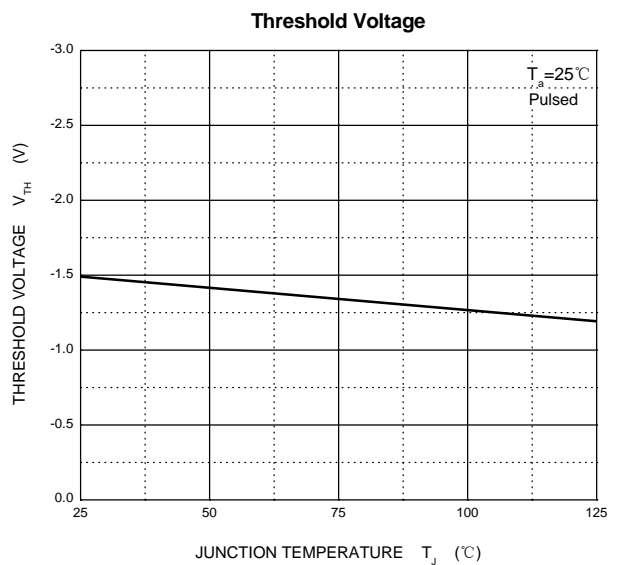
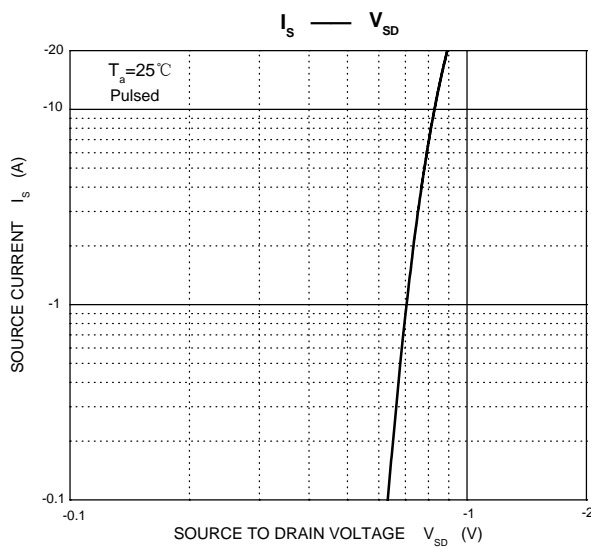
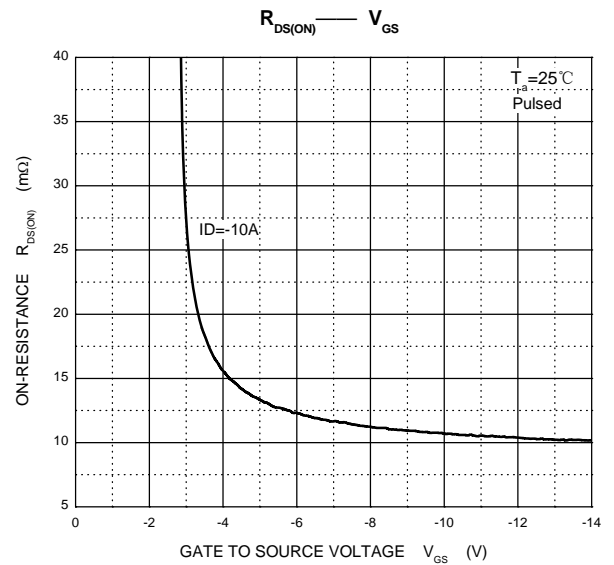
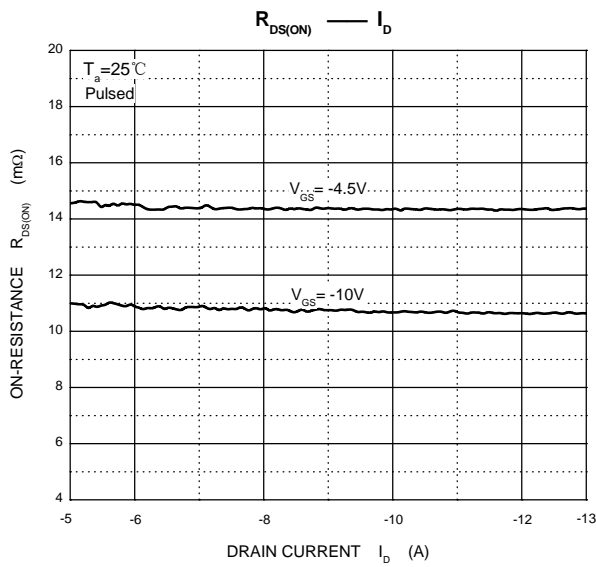
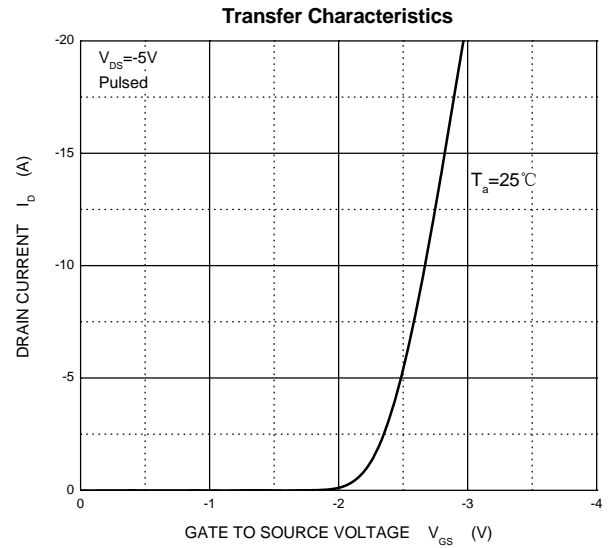
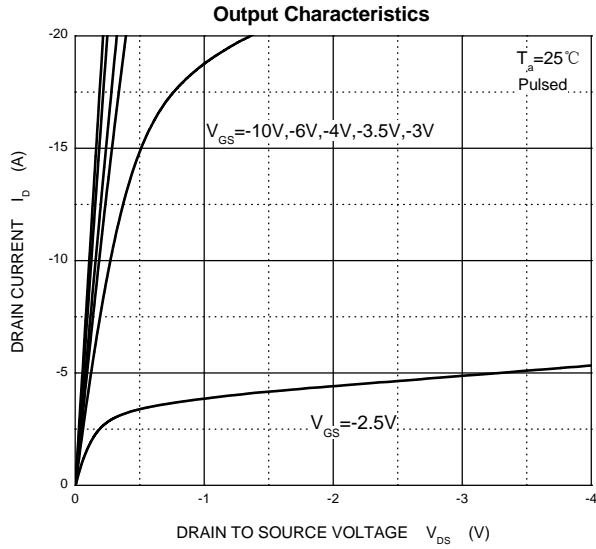
$T_a=25\text{ }^\circ\text{C}$ unless otherwise specified

Parameter	Symbol	Test Condition	Min	Typ	Max	Unit
Off characteristics						
Drain-source breakdown voltage	$V_{(BR)DSS}$	$V_{GS} = 0V, I_D = -250\mu A$	-40			V
Zero gate voltage drain current	I_{DSS}	$V_{DS} = -40V, V_{GS} = 0V$			-1	μA
Gate-body leakage current	I_{GSS}	$V_{DS} = 0V, V_{GS} = \pm 20V$			± 100	nA
On characteristics ④						
Gate-threshold voltage	$V_{GS(th)}$	$V_{DS} = V_{GS}, I_D = -250\mu A$	-1.0	-1.5	-2.5	V
Static drain-source on-state resistance	$R_{DS(on)}$	$V_{GS} = -10V, I_D = -10A$		11	15	$m\Omega$
		$V_{GS} = -4.5V, I_D = -8A$		14.5	22	$m\Omega$
Dynamic characteristics ④ ⑤						
Input capacitance	C_{iss}	$V_{DS} = -25V, V_{GS} = 0V,$ $f = 1MHz$		2757	4000	pF
Output capacitance	C_{oss}			240	360	
Reverse transfer capacitance	C_{rss}			137	200	
Gate resistance	R_g	$f = 1MHz$		5.9		Ω
Switching characteristics ④ ⑤						
Total gate charge	Q_g	$V_{GS} = -4.5V,$ $V_{DS} = -32V, I_D = -10A$		22.2	40	nC
Gate-source charge	Q_{gs}			8.2	16	
Gate-drain charge	Q_{gd}			8.8	16	
Turn-on delay time	$t_{d(on)}$	$V_{DS} = -20V, I_D = -1A$ $V_{GS} = -10V, R_G = 6\Omega$		23	40	ns
Turn-on rise time	t_r			10	20	
Turn-off delay time	$t_{d(off)}$			135	250	
Turn-off fall time	t_f			46	90	
Drain-Source Diode Characteristics						
Drain-source diode forward voltage	V_{SD} ④	$V_{GS} = 0V, I_S = -1A$			-1.2	V
Continuous drain-source diode forward current	I_S ①				-13	A
Pulsed drain-source diode forward current	I_{SM} ②				-52	A

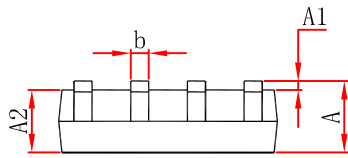
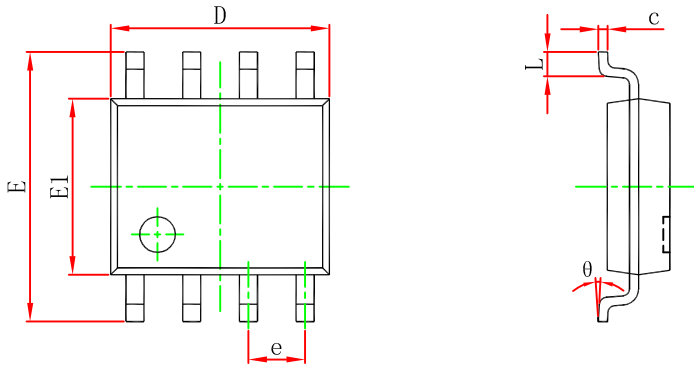
Notes:

- ① Limited only by maximum temperature allowed.
- ② $P_{VM} \leq 10\mu s$, Duty cycle $\leq 1\%$.
- ③ EAS condition: $V_{DD} = -20V, V_{GS} = -10V, L = 0.5mH, R_g = 25\Omega$ Starting $T_J = 25\text{ }^\circ\text{C}$.
- ④ Pulse Test : Pulse Width $\leq 300\mu s$, duty cycle $\leq 2\%$.
- ⑤ Guaranteed by design, not subject to production.
- ⑥ The value of $R_{\theta JA}$ is measured with the device mounted on 1 in 2 FR-4 board with 2oz. Copper, in a still air environment with $T_a = 25\text{ }^\circ\text{C}$.

Typical Characteristics

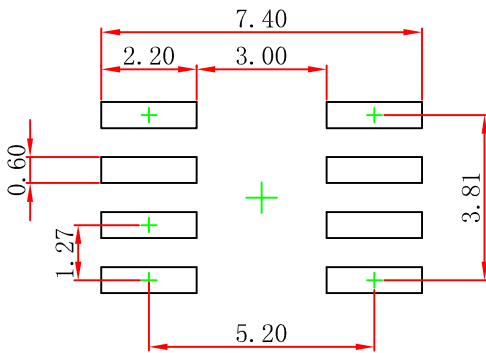


SOP8 Package Outline Dimensions



Symbol	Dimensions In Millimeters		Dimensions In Inches	
	Min	Max	Min	Max
A	1.350	1.750	0.053	0.069
A1	0.100	0.250	0.004	0.010
A2	1.350	1.550	0.053	0.061
b	0.330	0.510	0.013	0.020
c	0.170	0.250	0.007	0.010
D	4.800	5.000	0.189	0.197
e	1.270 (BSC)		0.050 (BSC)	
E	5.800	6.200	0.228	0.244
E1	3.800	4.000	0.150	0.157
L	0.400	1.270	0.016	0.050
θ	0°	8°	0°	8°

SOP8 Suggested Pad Layout



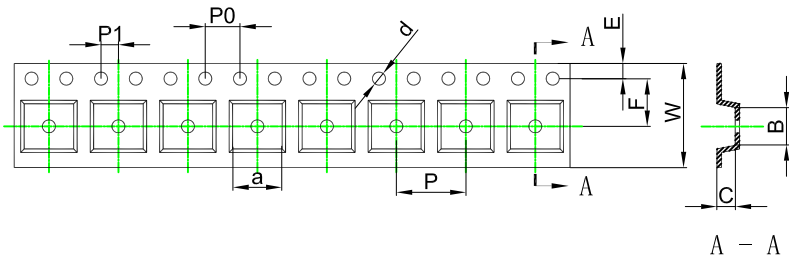
- Note:
1. Controlling dimension: in millimeters.
 2. General tolerance: ± 0.05 mm.
 3. The pad layout is for reference purposes only.

NOTICE

JSCJ reserves the right to make modifications, enhancements, improvements, corrections or other changes without further notice to any product herein. JSCJ does not assume any liability arising out of the application or use of any product described herein.

SOP8 Tape and Reel

SOP8 Embossed Carrier Tape



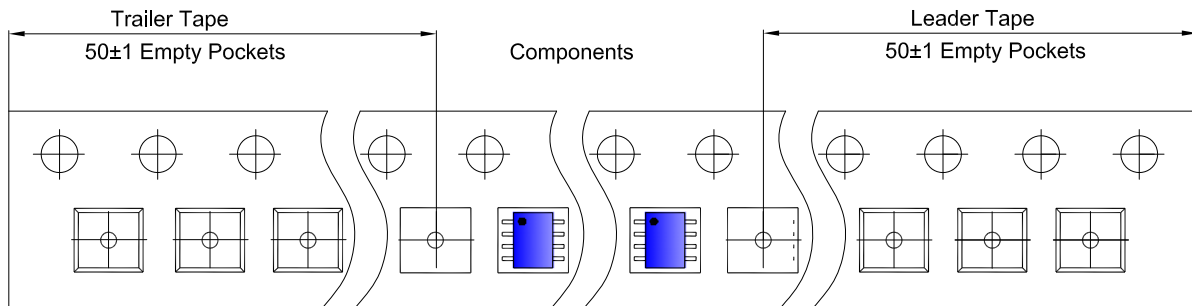
Packaging Description:

SOP8 parts are shipped in tape. The carrier tape is made from a dissipative (carbon filled) polycarbonate resin. The cover tape is a multilayer film (Heat Activated Adhesive in nature) primarily composed of polyester film, adhesive layer, sealant, and anti-static sprayed agent. These reeled parts in standard option are shipped with 2,500 units per 13" or 33cm diameter reel. The reels are clear in color and is made of polystyrene plastic (anti-static coated).

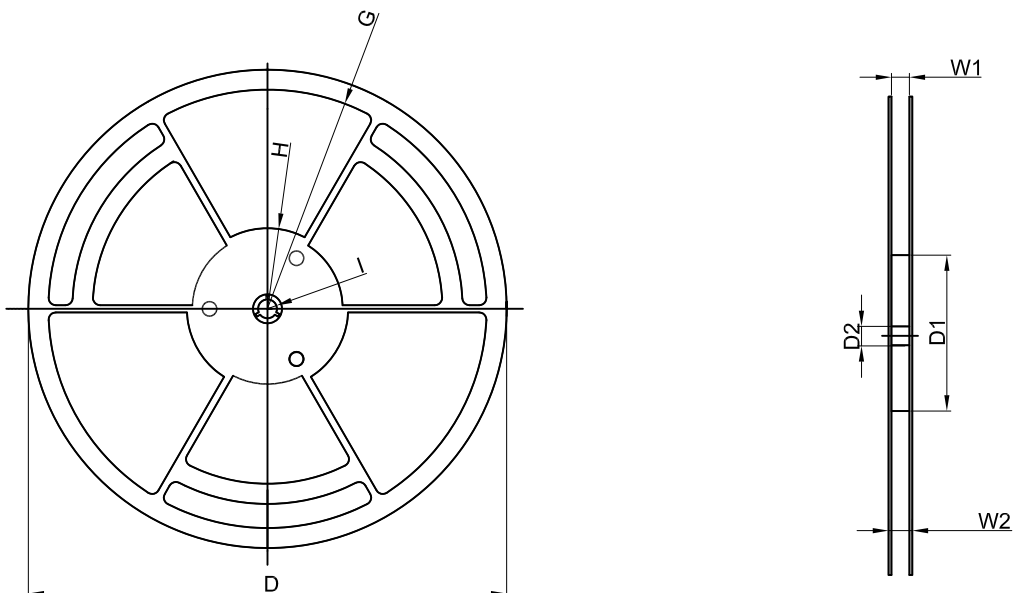
ALL DIM IN mm

Dimensions are in millimeter										
Pkg type	a	B	C	d	E	F	P0	P	P1	W
SOP8	6.40	5.40	2.10	Ø1.50	1.75	5.50	4.00	8.00	2.00	12.00

SOP8 Tape Leader and Trailer



SOP8 Reel



Dimensions are in millimeter								
Reel Option	D	D1	D2	G	H	I	W1	W2
13" Dia	Ø330.00	100.00	13.00	R151.00	R56.00	R6.50	12.40	17.60

REEL	Reel Size	Box	Box Size(mm)	Carton	Carton Size(mm)	G.W.(kg)
4,000 pcs	13 inch	8,000 pcs	360×360×65	64,000 pcs	565×380×390	