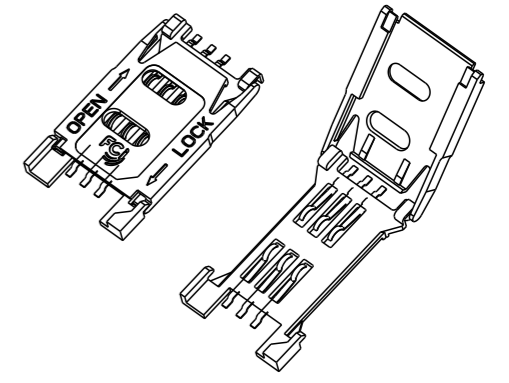
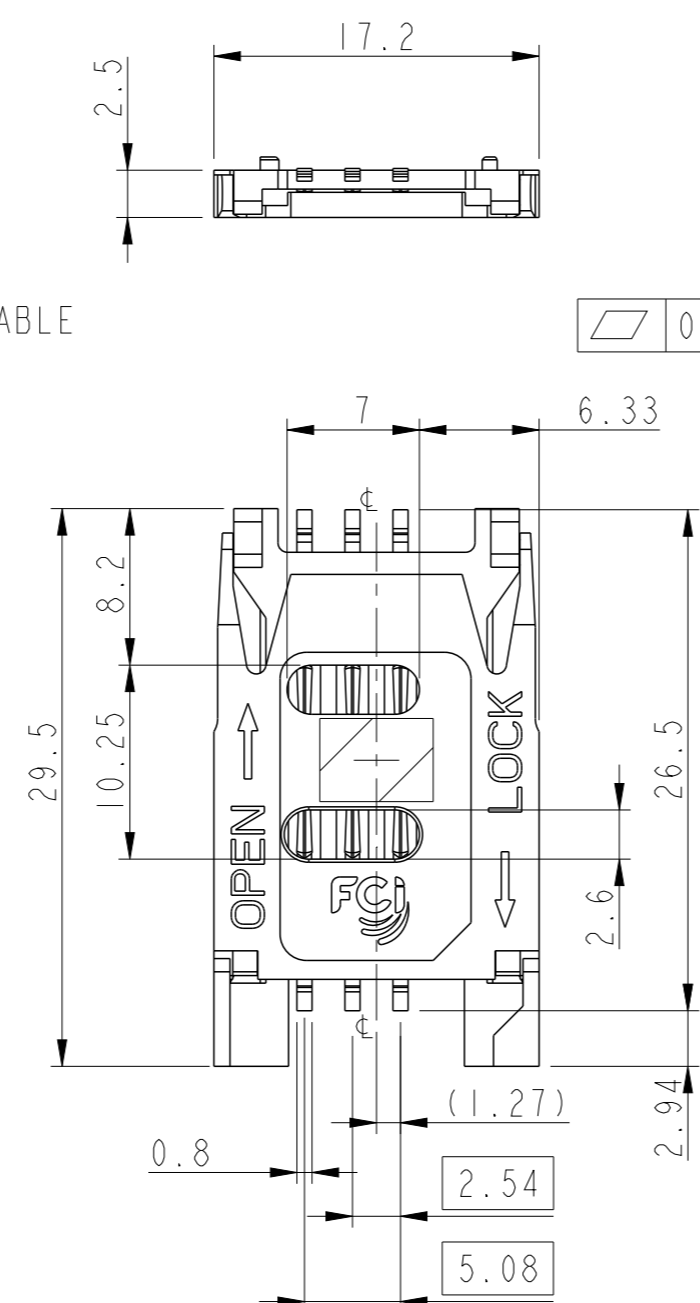
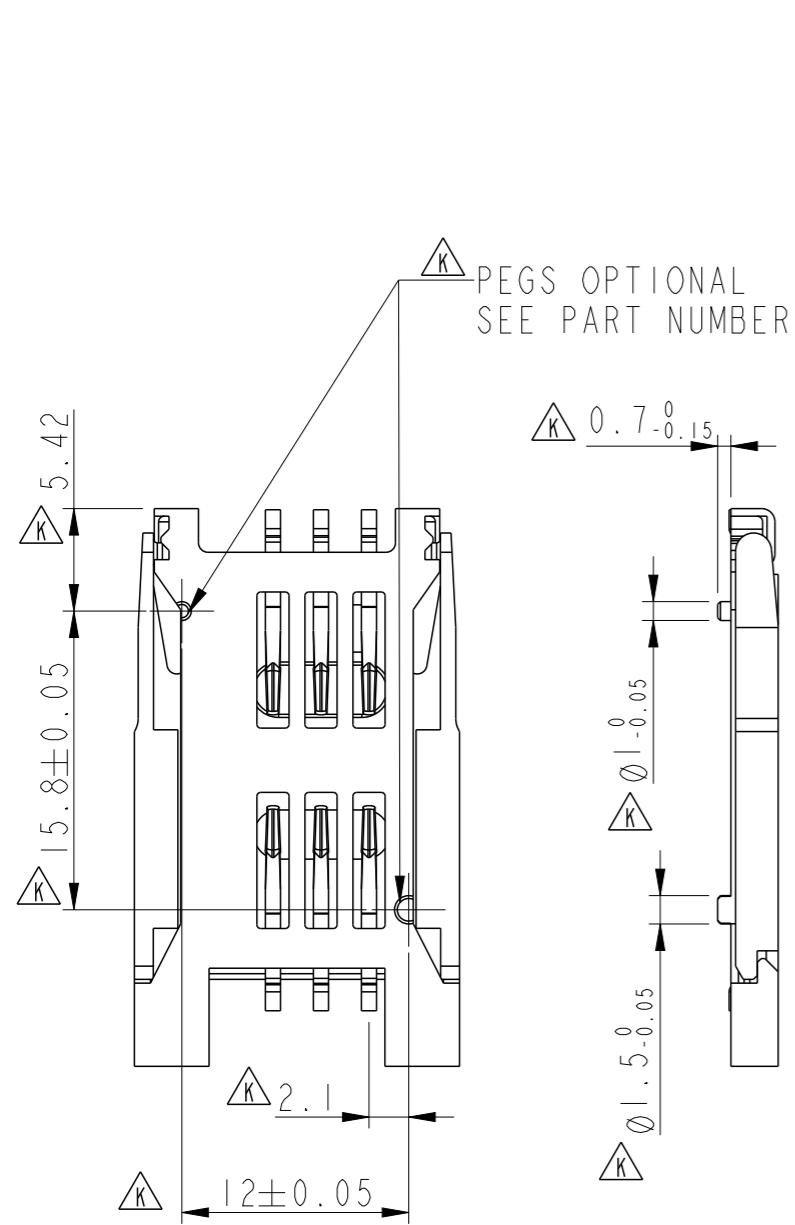




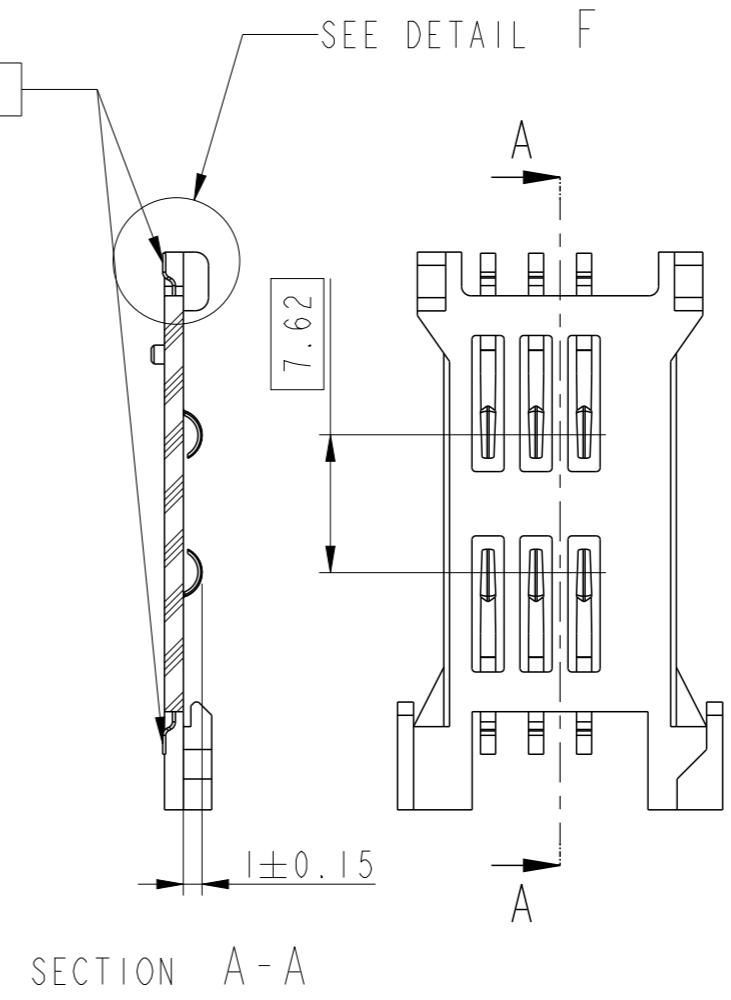
Copyright FCI.



SCALE 1:1

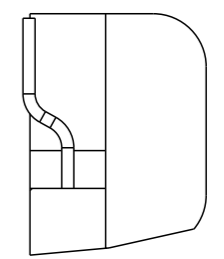


SCALE 5:2



SEE NOTE SHEET 2

SCALE 5:2



DETAIL F
SCALE 10:1

General Tolerances	
0 to 10mm:	±0.1mm
10 to 25mm:	±0.15mm
25 to 60mm:	±0.2mm
60 and more:	±0.3mm

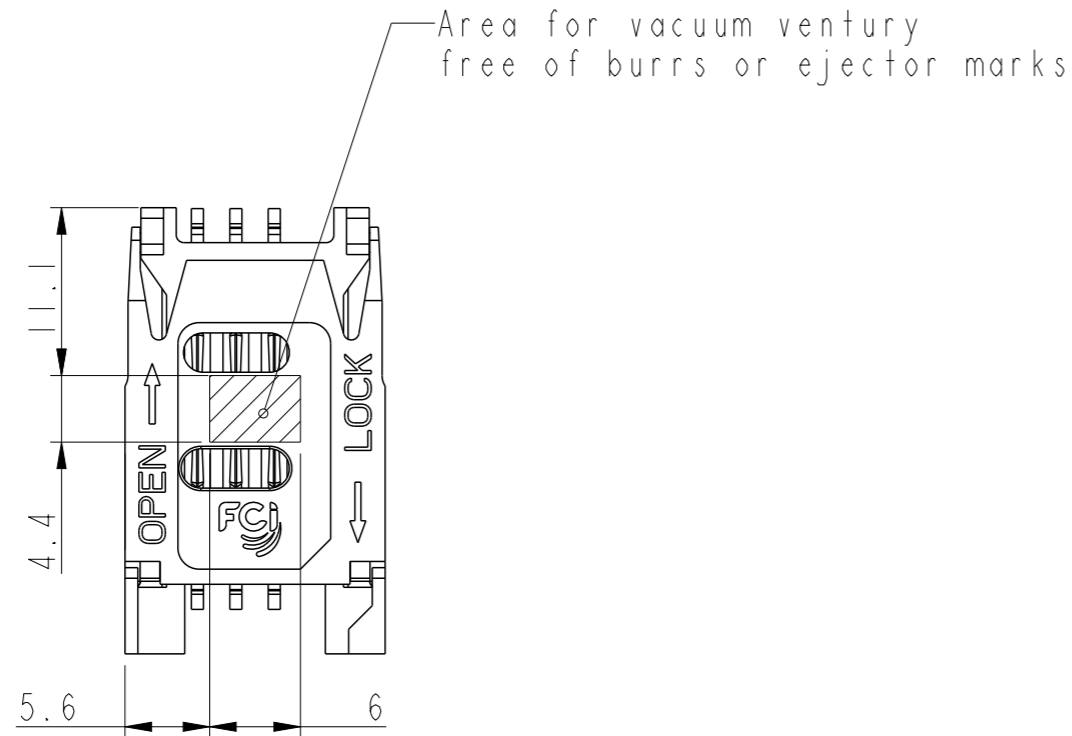
PART NUMBER	DESCRIPTION
7111S2015X02LF	NO PEGS
7112S2015X02LF \triangleleft	WITH POSITION PEGS

spec ref	--
tolerance std	ISO 406 ISO 1101
surface	ISO 1302
linear	0.X ± 0.XX ± 0.XXX ±
angular	0° ±°

dr	P-Mathew Nebu	2011/05/09
eng	P-Mathew Nebu	2015/04/10
chr	-	-
appr	K-Paul Biju	2015/04/13

projection	mm	size	A3	scale	5:2
product family	MOBILE I/O	ecn no	ELX-I-20528-1	rel level	Released

www.fci.com	cat. no.	see table	Product - Customer Drw	sheet 1 of 2
FCI	title	SIM CARD READER WITH COVER	dwg no	VJW54355
	rev	S20		K



NOTES:

A -MECHANICAL PROPERTIES:

housing material: High Temp. Thermoplastic colour black, rated UL94V0

Contacts material: Copper Alloy

Contacts plating:

Contact area: Au over Ni / Equivalent GXT

Solder area: Matte Tin over Ni

Bare edge allowed.

Durability: 10000 mating cycles

Contacts force: 0.5 N MAX at maximum deflection

B -ELECTRICAL PROPERTIES:

Contact resistance: <100mΩ

Insulation resistance: >1000MΩ

Dielectrique withstanding voltage: >=1000Vrms

Current carrying capacity: min 10uA, MAX 1A

Voltage U5: 5V ±0.1V with R=560Ω

C- ENVIRONMENT:

Operation temperature range: -40°C to +85°C

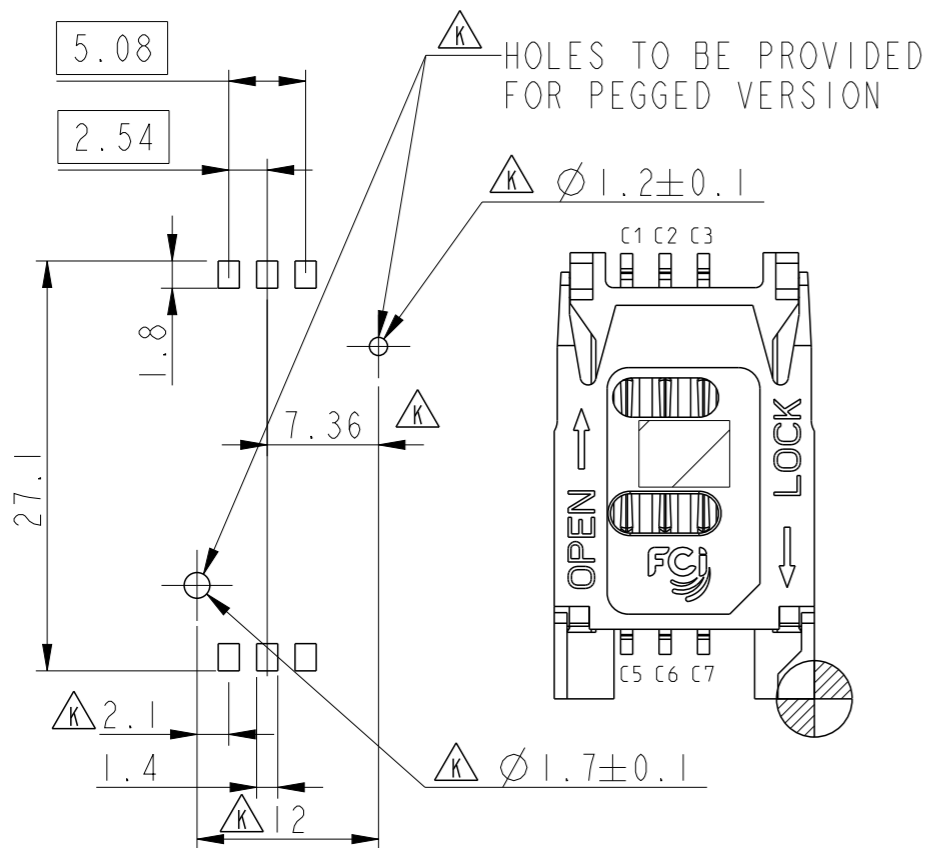
D -PACKAGING:

Tape and Reel

E -APPLICABLE DOCUMENT:

Standard: card standard ISO 7810 , ISO 7816 , GSM 11.11

RECOMMENDED PCB LAYOUT



LEAD FREE VERSION:

"This product meets European Union Directives and other country regulations as described in GS-47-0004"

The housing will withstand exposure to 260°C peak temperature for 10seconds in a convection reflow oven.

General Tolerances	
0 to 10mm:	±0.1mm
10 to 25mm:	±0.15mm
25 to 60mm:	±0.2mm
60 and more:	±0.3mm

spec ref	--	dr	P-Mathew Nebu	2011/05/09	projection	mm	size	A3	scale	2:1	
tolerance std	ISO 406 ISO 1101	eng	P-Mathew Nebu	2015/04/10			ecn no	ELX-I-20528-1			
TOLERANCES UNLESS OTHERWISE SPECIFIED		chr	-	-			rel level	Released			
surface	ISO 1302	appr	K-Paul Biju	2015/04/13	product family	MOBILE I/O	dwg no	VJW54355		rev	K
	linear				www.fci.com	cat. no.	see table	Product - Customer Drw	sheet 2 of 2		
	angular										



Copyright FCI.