

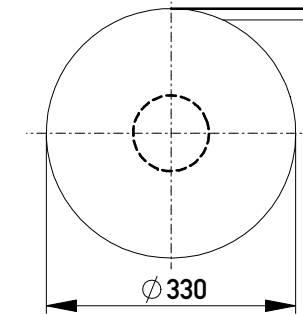
Anforderungsstufe 1  
Performance Level 1

Kontaktbereich vergoldet  
Mating Area gold plating

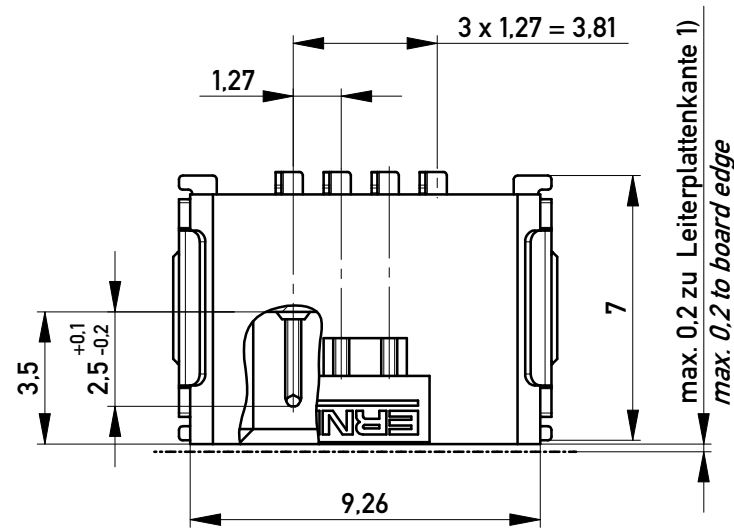
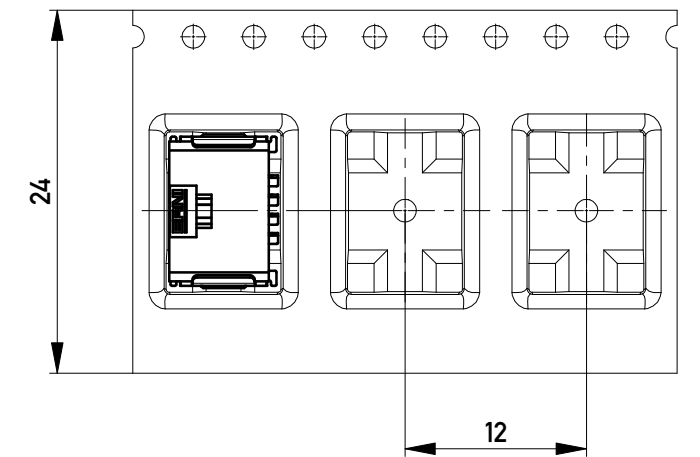
Anschlussbereich verzinkt 4-6 µm  
Terminal Area 4-6 µm tin plating

Koplanarität der Anschlüsse ≤ 0,1 mm  
Coplanarity Area of Termination ≤ 0,1 mm

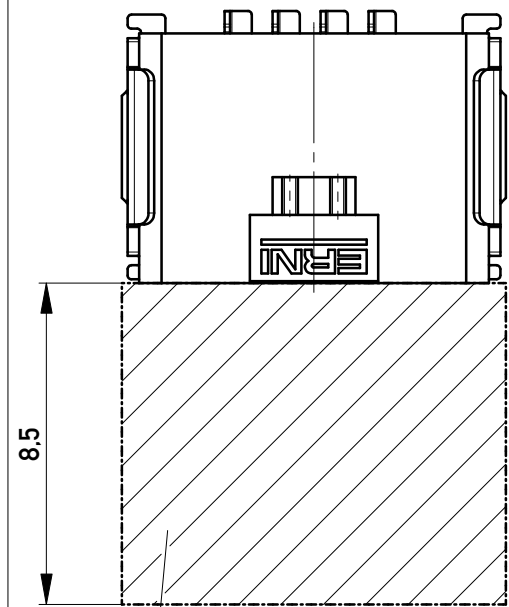
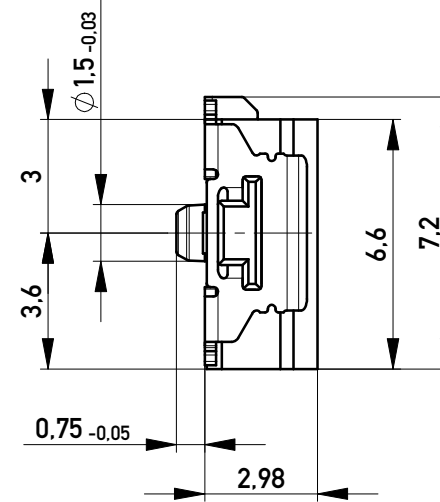
Verpackt in Gurtverpackung  
Tape on Reel Packaging  
Verpackungseinheit: 1000 Stück  
Packaging unit: 1000 pcs



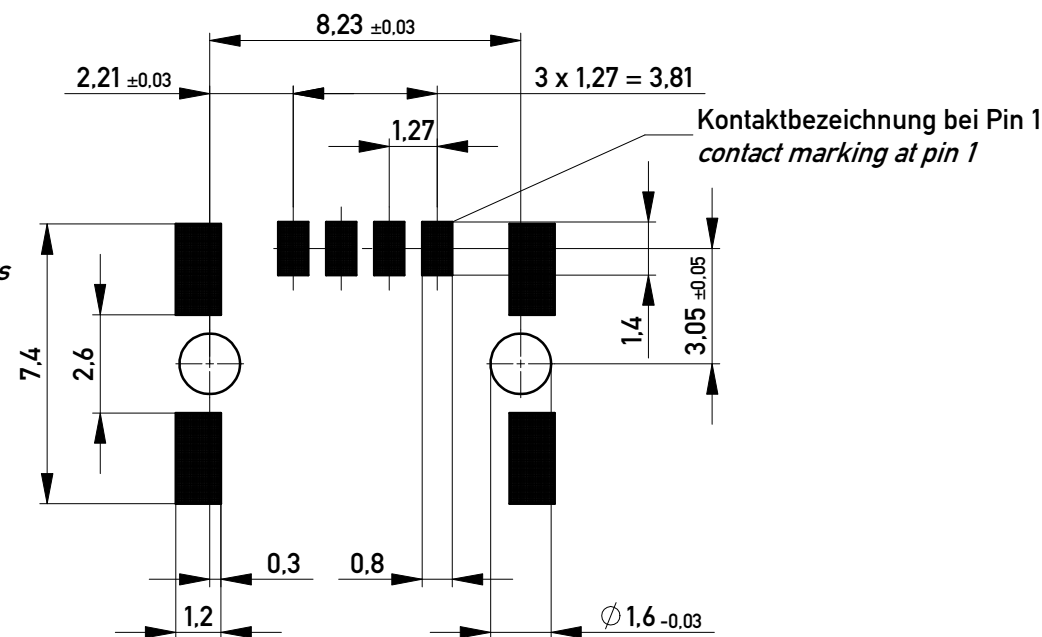
Abspulrichtung - Reel off Direction



Leiterplatten-Layout für SMT  
PCB-Layout for SMT



Sperrfläche für Leiterbahnen  
gültig bei Verwendung von  
Gegenstecker Federleiste 90°  
in SKV Ausführung  
Restricted area for conductors  
valid for use by mating  
female connector 90°  
in IDC version



1) gültig bei Verwendung von Gegenstecker Federleiste 90° in SMD Ausführung  
valid for use by mating female connector 90° in SMD version

Information:		Tolerances		Scale	5:1
All rights reserved. Only for Information. To ensure that this is the latest version of this drawing, please contact one of the ERNI companies before using.		Subject to modification without prior notice. Drawing will not be updated.		Designation	
www.ERNI.com		214012		I	
j	28.04.2017	www.ERNI.com		A3	
Index	Date	Class		SRCA	

Copyright by ERNI GmbH  
Proprietary notice pursuant to ISO 16016 to be observed.

# Mouser Electronics

Authorized Distributor

Click to View Pricing, Inventory, Delivery & Lifecycle Information:

[ERNI Electronics:](#)

[214012](#)