

## N-Channel Trench Power MOSFET

### General Description

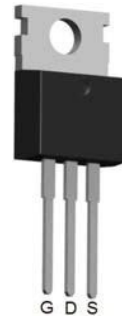
The CS40N27 is N-channel MOS Field Effect Transistor designed for high current switching applications. Rugged EAS capability and ultra low  $R_{DS(ON)}$  is suitable for PWM, load switching .

### Features

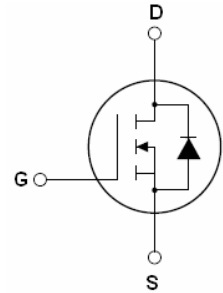
- $V_{DS}=40V$ ;  $I_D=170A@ V_{GS}=10V$ ;  
 $R_{DS(ON)}<3.6m\Omega @ V_{GS}=10V$
- Ultra Low On-Resistance
- High UIS and UIS 100% Test

### Application

- Hard Switched and High Frequency Circuits
- Uninterruptible Power Supply



To-220 Top View



Schematic Diagram

$$V_{DSS} = 40V$$

$$I_{DSS} = 170A$$

$$R_{DS(ON)} = 3.0m\Omega$$

### Package Marking and Ordering Information

Device Marking	Device	Device Package	Reel Size	Tape width	Quantity
CS40N27	CS40N27	TO-220	-	-	-

Table 1. Absolute Maximum Ratings (TA=25°C)

Symbol	Parameter	Value	Unit
$V_{DS}$	Drain-Source Voltage ( $V_{GS}=0V$ )	40	V
$V_{GS}$	Gate-Source Voltage ( $V_{DS}=0V$ )	$\pm 20$	V
$I_{D(DC)}$	Drain Current (DC) at $T_c=25^\circ C$	170	A
$I_{D(DC)}$	Drain Current (DC) at $T_c=100^\circ C$	119	A
$I_{DM (pulse)}$	Drain Current-Continuous@ Current-Pulsed (Note 1)	680	A
dv/dt	Peak Diode Recovery Voltage	1.83	V/ns
$P_D$	Maximum Power Dissipation( $T_c=25^\circ C$ )	231	W
	Derating Factor	1.54	W/°C
EAS	Single Pulse Avalanche Energy (Note 2)	1800	mJ
$T_J, T_{STG}$	Operating Junction and Storage Temperature Range	-55 To 175	°C

Notes 1.Repetitive Rating: Pulse width limited by maximum junction temperature

2.EAS condition:  $T_J=25^\circ C, I_{AS}=85A, V_G=10V, R_G=25\Omega$

**Table 2. Thermal Characteristic**

Symbol	Parameter	Value	Max	Unit
$R_{\theta JC}$	Thermal Resistance, Junction-to-Case	---	0.65	$^{\circ}C/W$

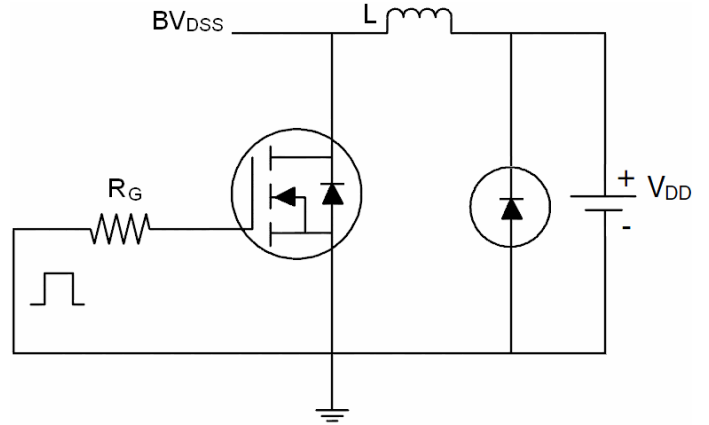
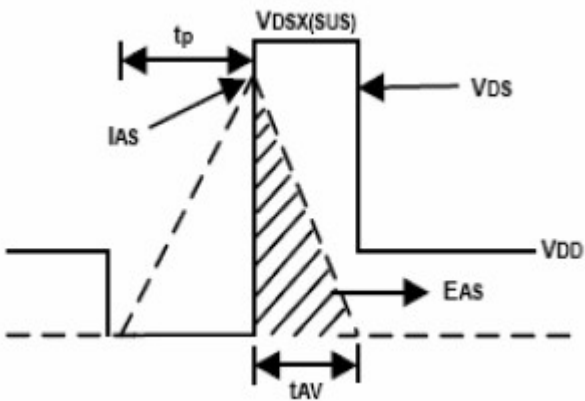
**Table 3. Electrical Characteristics (TA=25 $^{\circ}C$  unless otherwise noted)**

Symbol	Parameter	Conditions	Min	Typ	Max	Unit
<b>On/Off States</b>						
$BV_{DSS}$	Drain-Source Breakdown Voltage	$V_{GS}=0V, I_D=250\mu A$	40			V
$I_{DSS}$	Zero Gate Voltage Drain Current(Tc=25 $^{\circ}C$ )	$V_{DS}=40V, V_{GS}=0V$			1	$\mu A$
$I_{DSS}$	Zero Gate Voltage Drain Current(Tc=125 $^{\circ}C$ )	$V_{DS}=40V, V_{GS}=0V$			1	$\mu A$
$I_{GSS}$	Gate-Body Leakage Current	$V_{GS}=\pm 20V, V_{DS}=0V$			$\pm 100$	nA
$V_{GS(th)}$	Gate Threshold Voltage	$V_{DS}=V_{GS}, I_D=250\mu A$	2		4	V
$R_{DS(ON)}$	Drain-Source On-State Resistance	$V_{GS}=10V, I_D=40A$		3.0	3.6	m $\Omega$
<b>Dynamic Characteristics</b>						
$g_{FS}$	Forward Transconductance	$V_{DS}=10V, I_D=40A$	40			S
$C_{iss}$	Input Capacitance	$V_{DS}=25V, V_{GS}=0V$ $f=1.0MHz$		7585		PF
$C_{oss}$	Output Capacitance			967		PF
$C_{rss}$	Reverse Transfer Capacitance			625		PF
$Q_g$	Total Gate Charge	$V_{DS}=32V, I_D=75A$ $V_{GS}=10V$		144		nC
$Q_{gs}$	Gate-Source Charge			36		nC
$Q_{gd}$	Gate-Drain Charge			53		nC
<b>Switching Times</b>						
$t_{d(on)}$	Turn-on Delay Time	$V_{DD}=20V, I_D=75A$ $V_{GS}=10V, R_G=3.0\Omega$		38		nS
$t_r$	Turn-on Rise Time			47		nS
$t_{d(off)}$	Turn-Off Delay Time			64		nS
$t_f$	Turn-Off Fall Time			26		nS
<b>Source-Drain Diode Characteristics</b>						
$I_{SD}$	Source-Drain Current(Body Diode)			170		A
$I_{SDM}$	Pulsed Source-Drain Current(Body Diode)			680		A
$V_{SD}$	Forward On Voltage <sup>(Note 1)</sup>	$T_J=25^{\circ}C, I_{SD}=40A, V_{GS}=0V$		0.82	0.99	V
$t_{rr}$	Reverse Recovery Time <sup>(Note 1)</sup>	$T_J=25^{\circ}C, I_F=40A$ $di/dt=100A/\mu s$		28		nS
$Q_{rr}$	Reverse Recovery Charge <sup>(Note 1)</sup>			22		nC
$t_{on}$	Forward Turn-on Time	Intrinsic turn-on time is negligible(turn-on is dominated by $L_S+L_D$ )				

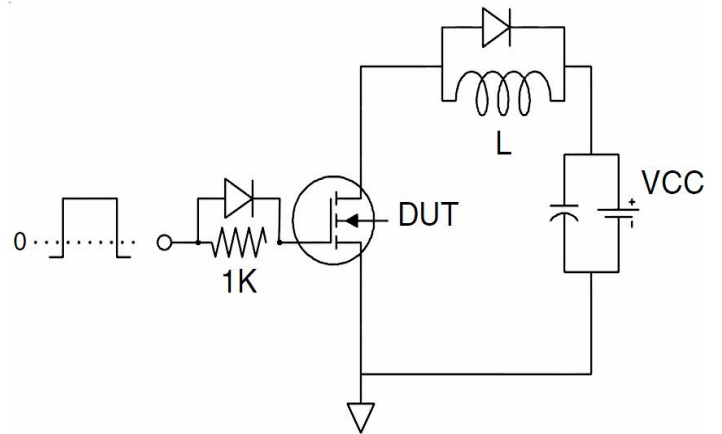
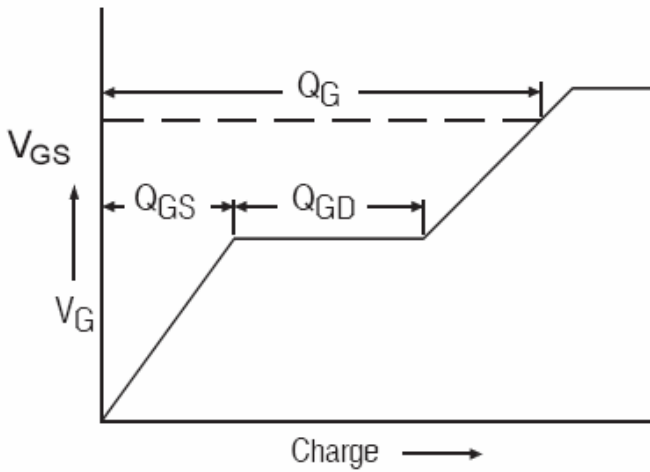
Notes 1. Pulse Test: Pulse Width  $\leq 300\mu s$ , Duty Cycle  $\leq 1.5\%$ ,  $R_G=25\Omega$ , Starting  $T_J=25^{\circ}C$

## Test Circuit

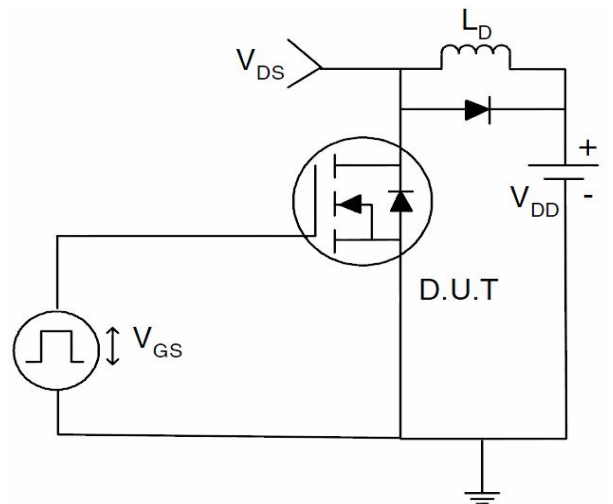
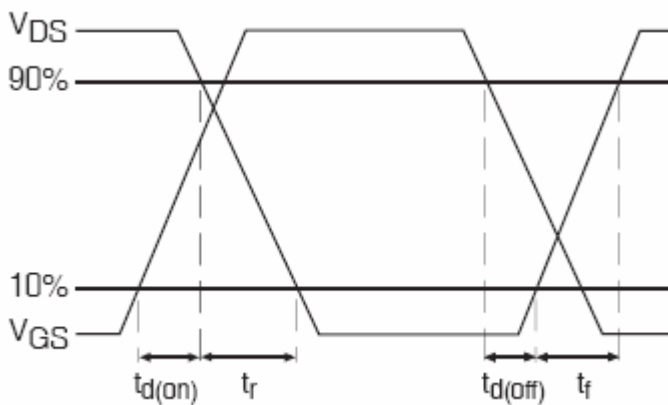
### 1) $E_{AS}$ Test Circuits



### 2) Gate Charge Test Circuit:



### 3) Switch Time Test Circuit:



TYPICAL ELECTRICAL AND THERMAL CHARACTERISTICS (Curves)

Figure1. Output Characteristics

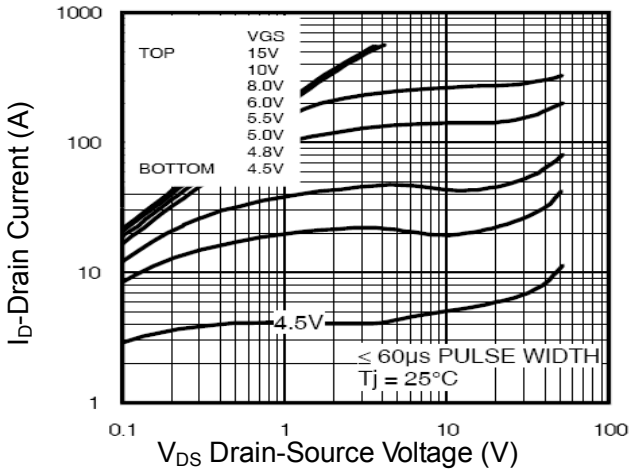


Figure2. Transfer Characteristics

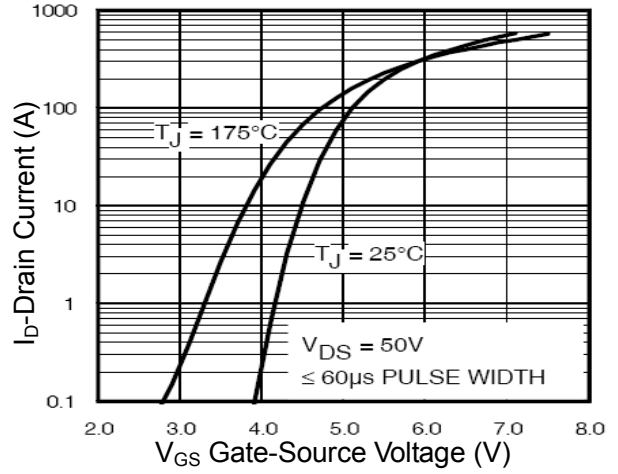


Figure3. VGS(th) vs Junction Temperature

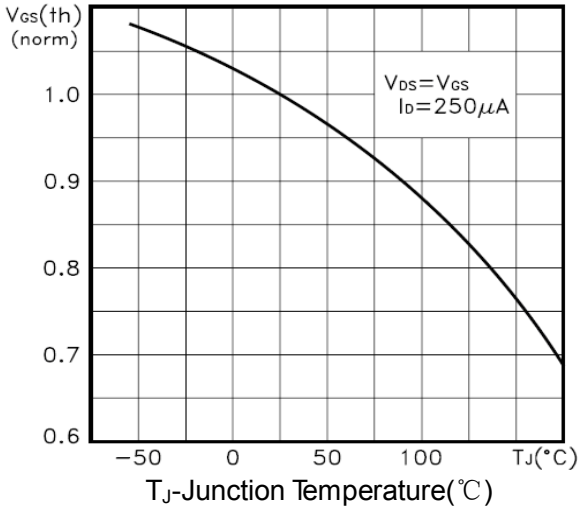


Figure4. BVDS vs Junction Temperature

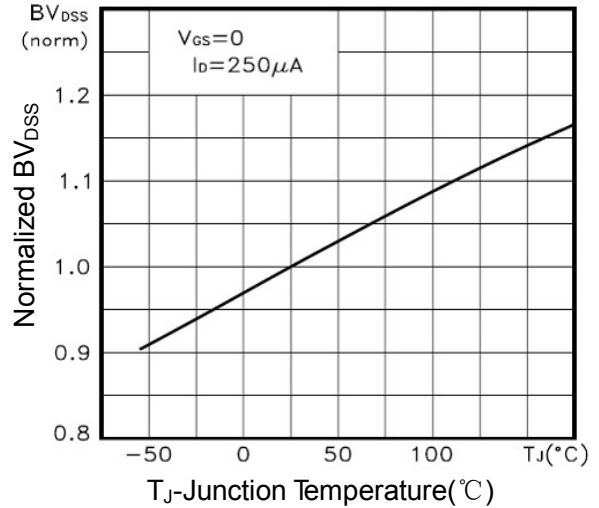


Figure5. ID vs Junction Temperature

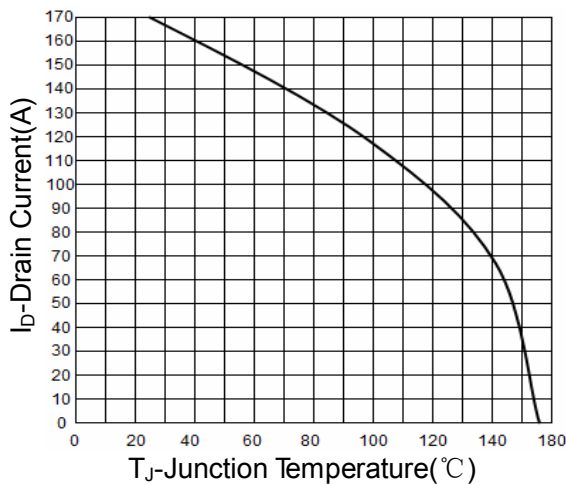
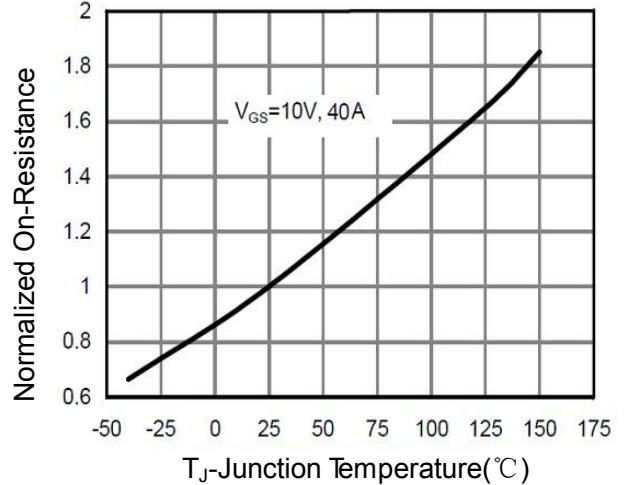
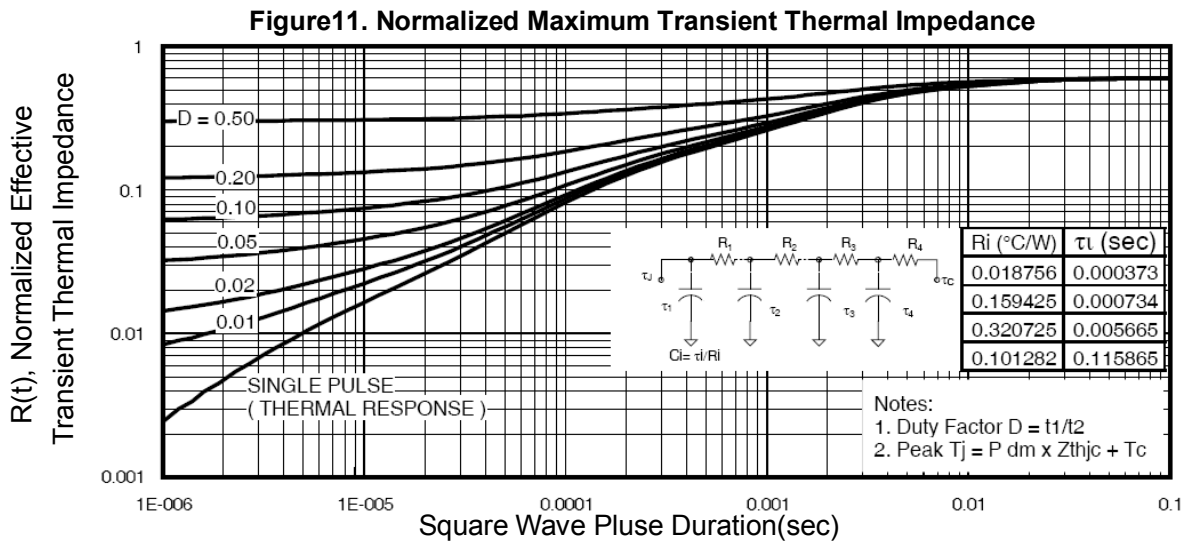
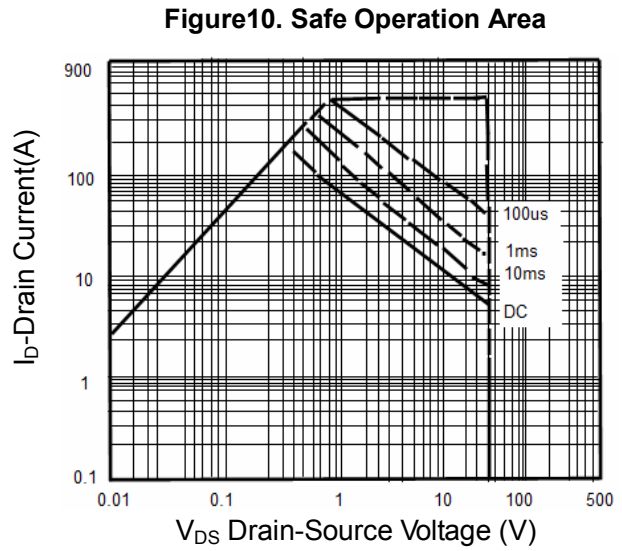
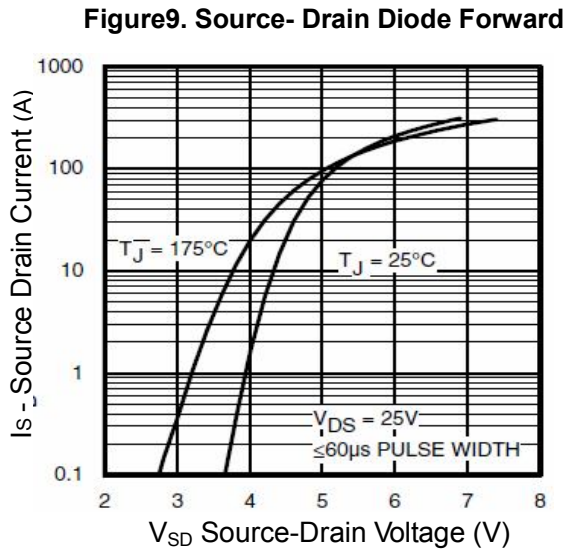
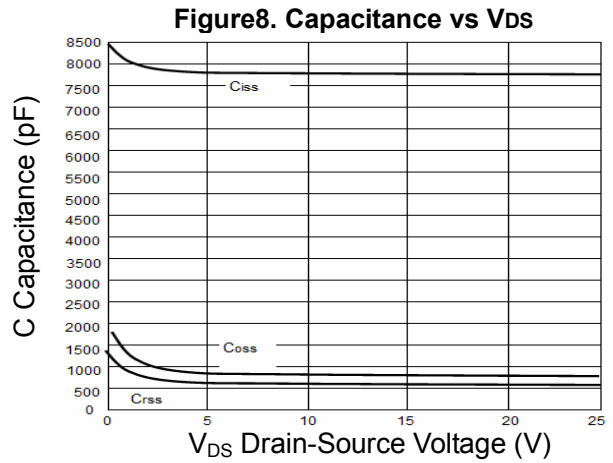
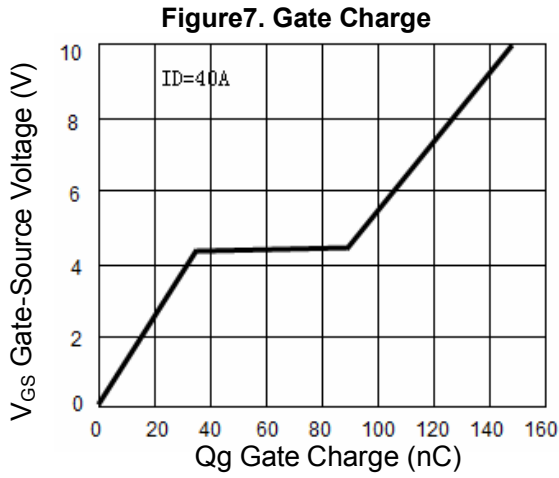
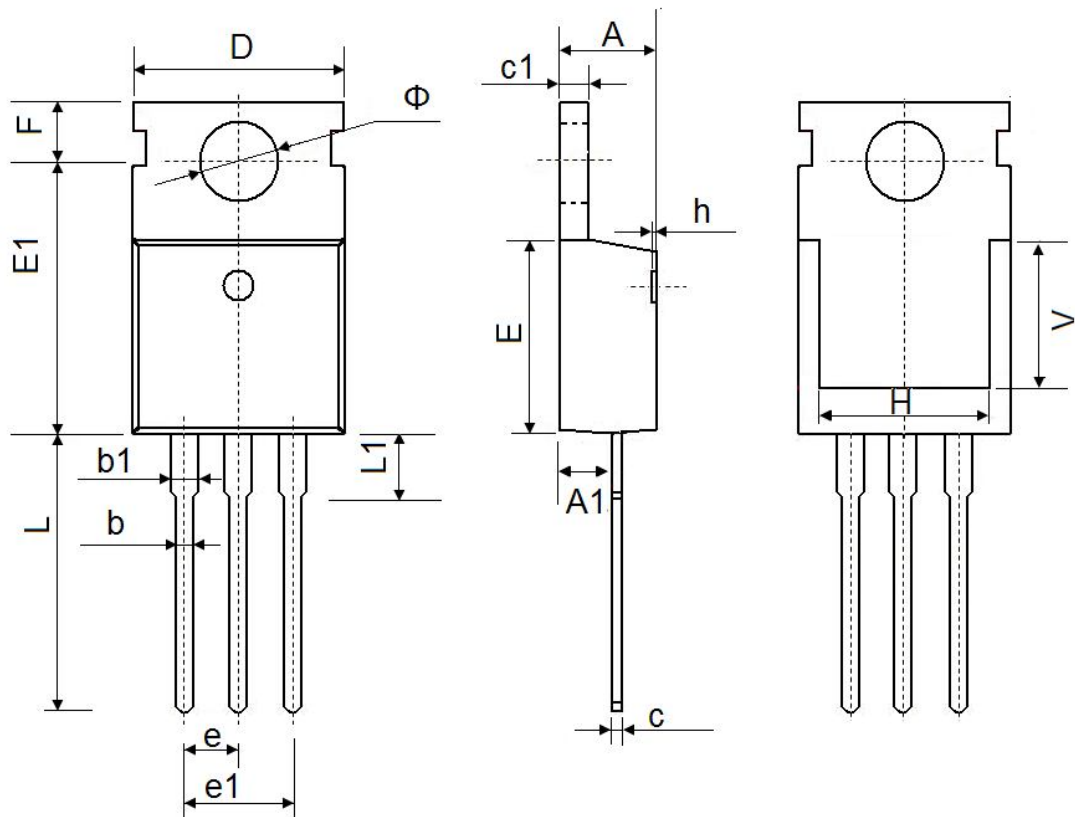


Figure6. RDS(ON)- Junction Temperature





## TO-220 Package Information



Symbol	Dimensions In Millimeters		Dimensions In Inches	
	Min.	Max.	Min.	Max
A	4.300	4.700	0.169	0.185
A1	2.200	2.600	0.087	0.102
b	0.700	0.950	0.028	0.037
b1	1.170	1.410	0.046	0.056
c	0.450	0.650	0.018	0.026
c1	1.200	1.400	0.047	0.055
D	9.600	10.400	0.378	0.409
E	8.8500	9.750	0.348	0.384
E1	12.650	12.950	0.498	0.510
e	2.540 TYP.		0.100TYP.	
e1	4.980	5.180	0.196	0.204
F	2.650	2.950	0.104	0.116
H	7.900	8.100	0.311	0.319
h	0.000	0.300	0.000	0.012
L	12.750	14.300	0.502	0.563
L1	2.850	3.950	0.112	0.156
V	7.500 REF.		0.295 REF.	
Φ	3.400	4.000	0.134	0.157