

*New Series*

## 16-bit Single Chip Microcontroller

- Low voltage operation from 1.2 V with a single alkaline or silver oxide button battery.
- Ultra low standby power consumption (0.3  $\mu$ A during HALT state in super economy mode)
- Embedded A/D converter to support various sensing applications

### DESCRIPTIONS

The S1C17W03/W04 is a 16-bit MCU that features low-voltage operation from 1.2 V even though Flash memory is included. The embedded high-efficiency DC-DC converter generates the constant-voltage to drive the IC with lower power consumption than 4-bit MCUs. This IC includes a real-time clock, a stopwatch, an A/D converter, and a PWM timer capable of being used to generate drive waveforms for a motor driver as well as a high-performance 16-bit CPU. It is suitable for battery-driven applications that require an A/D conversion function and timers.

### FEATURES

Model	S1C17W03	S1C17W04
<b>CPU</b>		
CPU core	Seiko Epson original 16-bit RISC CPU core S1C17	
Other	On-chip debugger	
<b>Embedded Flash memory</b>		
Capacity	16K bytes (for both instructions and data)	32K bytes (for both instructions and data)
Erase/program count	50 times (min.) * Programming by the debugging tool ICDmini	
Other	Security function to protect from reading/programming by ICDmini On-board programming function using ICDmini	
<b>Embedded RAM</b>		
Capacity	2K bytes	
<b>Clock generator (CLG)</b>		
System clock source	4 sources (IOSC/OSC1/OSC3/EXOSC)	
System clock frequency (operating frequency)	1.1 MHz (max.) $V_{DD} = 1.2$ to $1.6$ V 4.2 MHz (max.) $V_{DD} = 1.6$ to $3.6$ V	
IOSC oscillator circuit (boot clock source)	700 kHz (typ.) embedded oscillator 23 $\mu$ s (max.) starting time (time from cancelation of SLEEP state to vector table read by the CPU)	
OSC1 oscillator circuit	32.768 kHz (typ.) crystal oscillator Oscillation stop detection circuit included	
OSC3 oscillator circuit	4.2 MHz (max.) crystal/ceramic oscillator (48-pin package or chip) 250, 384, 500 kHz, 1, 2, and 4 MHz-switchable embedded oscillator 2.1 MHz (max.) CR oscillator (an external R is required) (48-pin package or chip)	
EXOSC clock input	4.2 MHz (max.) square or sine wave input	
Other	Configurable system clock division ratio Configurable system clock used at wake up from SLEEP state Operating clock frequency for the CPU and all peripheral circuits is selectable.	
<b>I/O port (PPOINT)</b>		
Number of general-purpose I/O ports	Input/output port: 34 bits (max., 48-pin package or chip) 23 bits (max., 32-pin package) Output port: 1 bit (max.) Pins are shared with the peripheral I/O.	
Number of input interrupt ports	30 bits (max., 48-pin package or chip) 21 bits (max., 32-pin package)	
Number of ports that support universal port multiplexer (UPMUX)	24 bits (48-pin package or chip) 21 bits (32-pin package) A peripheral circuit I/O function selected via software can be assigned to each port.	
<b>Timers</b>		
Watchdog timer (WDT)	Generates NMI or watchdog timer reset.	
Real-time clock (RTCA)	128-1 Hz counter, second/minute/hour/day/day of the week/month/year counters Theoretical regulation function for 1-second correction Alarm and stopwatch functions	

# S1C17W03/W04

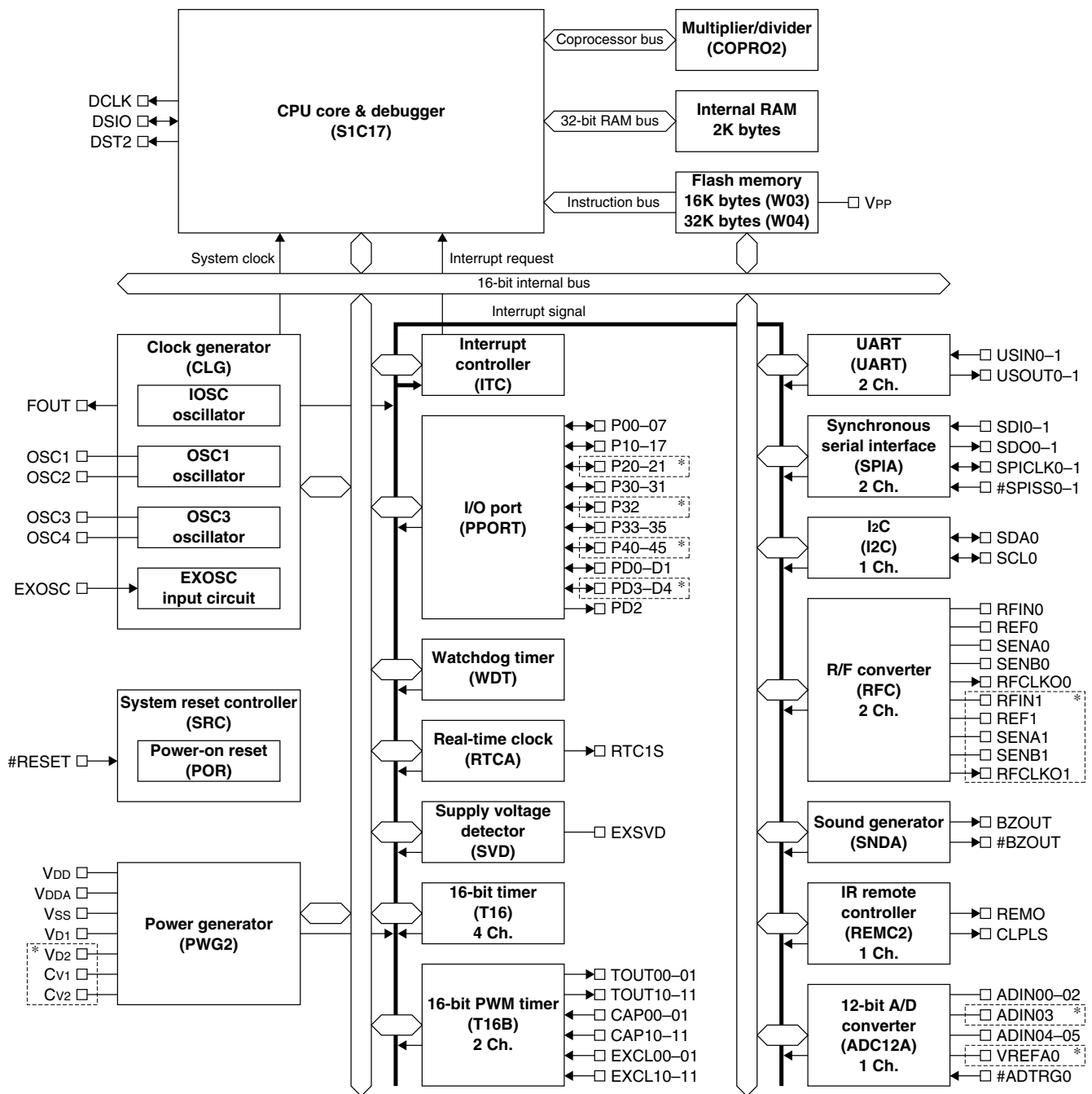
Model	S1C17W03	S1C17W04
<b>Timers</b>		
16-bit timer (T16)	4 channels Generates the SPIA master clocks and the ADC12A operating clock/trigger signal.	
16-bit PWM timer (T16B)	2 channels Event counter/capture function PWM waveform generation function Number of PWM output or capture input ports: 2 ports/channel	
<b>Supply voltage detector (SVD)</b>		
Detection level	30 levels (1.2 to 3.6 V)	
Detection accuracy	±3 %	
Other	Intermittent operation mode Generates an interrupt or reset according to the detection level evaluation.	
<b>Serial interfaces</b>		
UART (UART)	2 channels Baud-rate generator included, IrDA1.0 supported	
Synchronous Serial Interface (SPIA)	2 channels 2 to 16-bit variable data length The 16-bit timer (T16) can be used for the baud-rate generator in master mode.	
I <sup>2</sup> C (I2C)	1 channel Baud-rate generator included	
<b>Sound generator (SNDA)</b>		
Buzzer output function	512 Hz to 16 kHz output frequencies One-shot output function	
Melody generation function	Pitch: 128 Hz to 16 kHz ≈ C3 to C6 Duration: 7 notes/rests (Half note/rest to thirty-second note/rest) Tempo: 16 tempos (30 to 480) Tie/slur may be specified.	
<b>IR remote controller (REMC2)</b>		
Number of transmitter channels	1 channel	
Other	EL lamp drive waveform can be generated for an application example.	
<b>R/F converter (RFC)</b>		
Conversion method	CR oscillation type with 24-bit counters	
Number of conversion channels	2 channels (48-pin package or chip) 1 channel (32-pin package) (Up to two sensors can be connected to each channel.)	
Supported sensors	DC-bias resistive sensors, AC-bias resistive sensors (Ch.0 only)	
<b>12-bit A/D converter (ADC12A)</b>		
Conversion method	Successive approximation type	
Resolution	12 bits	
Number of conversion channels	1 channel	
Number of analog signal inputs	6 ports/channel (48-pin package or chip) 5 ports/channel (32-pin package)	
<b>Multiplier/divider (COPRO2)</b>		
Arithmetic functions	16-bit × 16-bit multiplier 16-bit × 16-bit + 32-bit multiply and accumulation unit 32-bit ÷ 32-bit divider	
<b>Reset</b>		
#RESET pin	Reset when the reset pin is set to low.	
Power-on reset	Reset at power on.	
Key entry reset	Reset when the P00 to P01/P02/P03 keys are pressed simultaneously (can be enabled/disabled using a register).	
Watchdog timer reset	Reset when the watchdog timer overflows (can be enabled/disabled using a register).	
Supply voltage detector reset	Reset when the supply voltage detector detects the set voltage level (can be enabled/disabled using a register).	
<b>Interrupt</b>		
Non-maskable interrupt	4 systems (Reset, address misaligned interrupt, debug, NMI)	
Programmable interrupt	External interrupt: 1 system (8 levels) Internal interrupt: 20 systems (8 levels)	

# S1C17W03/W04

Model	S1C17W03	S1C17W04
<b>Power supply voltage</b>		
V <sub>DD</sub> operating voltage	1.2 to 3.6 V	
V <sub>DD</sub> operating voltage for Flash programming	1.8 to 3.6 V (V <sub>PP</sub> = 7.5 V external power supply is required.)	
V <sub>DD</sub> operating voltage for super economy mode	2.5 to 3.6 V (48-pin package or chip)	
V <sub>DDA</sub> analog operating voltage	1.2 to 3.6 V (Power supply for P3[5:0] and P4[5:4] ports)	
V <sub>DDA</sub> analog operating voltage for A/D conversion	1.8 to 3.6 V	
<b>Operating temperature</b>		
Operating temperature range	-40 to 85 °C	
<b>Current consumption (Typ. value)</b>		
SLEEP mode	0.15 μA I <sub>OSC</sub> = OFF, OSC1 = OFF, OSC3 = OFF	
HALT mode	0.5 μA OSC1 = 32 kHz, RTC = ON	
	0.3 μA (48-pin package or chip) OSC1 = 32 kHz, RTC = ON, super economy mode	
RUN mode	8 μA OSC1 = 32 kHz, RTC = ON, CPU = OSC1	
	4 μA (48-pin package or chip) OSC1 = 32 kHz, RTC = ON, CPU = OSC1, super economy mode	
	250 μA	
	OSC3 = 1 MHz (ceramic oscillator), OSC1 = 32 kHz, RTC = ON, CPU = OSC3	
<b>Shipping form</b>		
1	TQFP12-48pin (Lead pitch: 0.5 mm)	
2	SQFN5-32pin (Lead pitch: 0.5 mm)	
3	Die form (Pad pitch: 80 μm (min.))	

# S1C17W03/W04

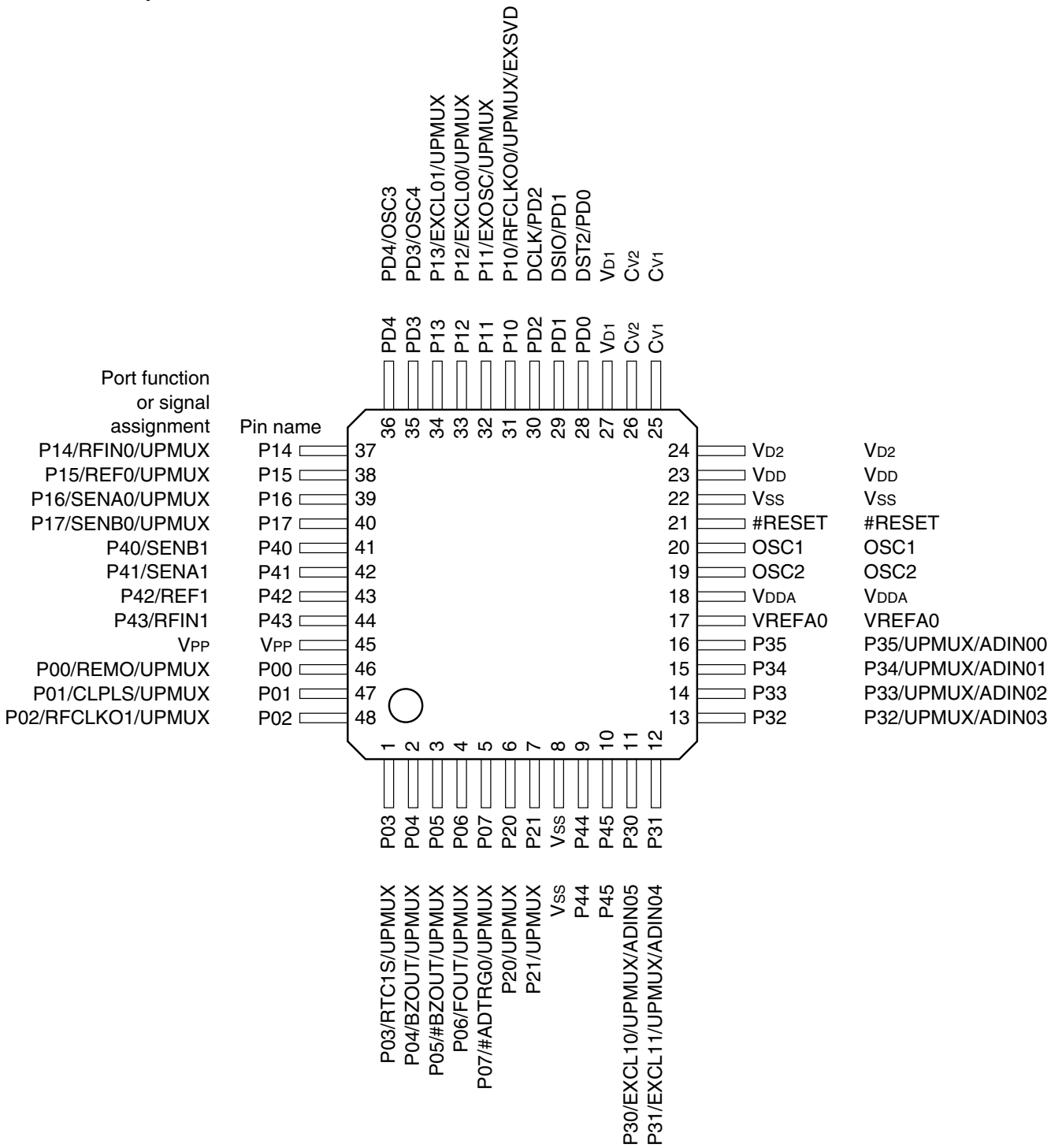
## ■ BLOCK DIAGRAM



\* These pins do not exist in the 32-pin package.

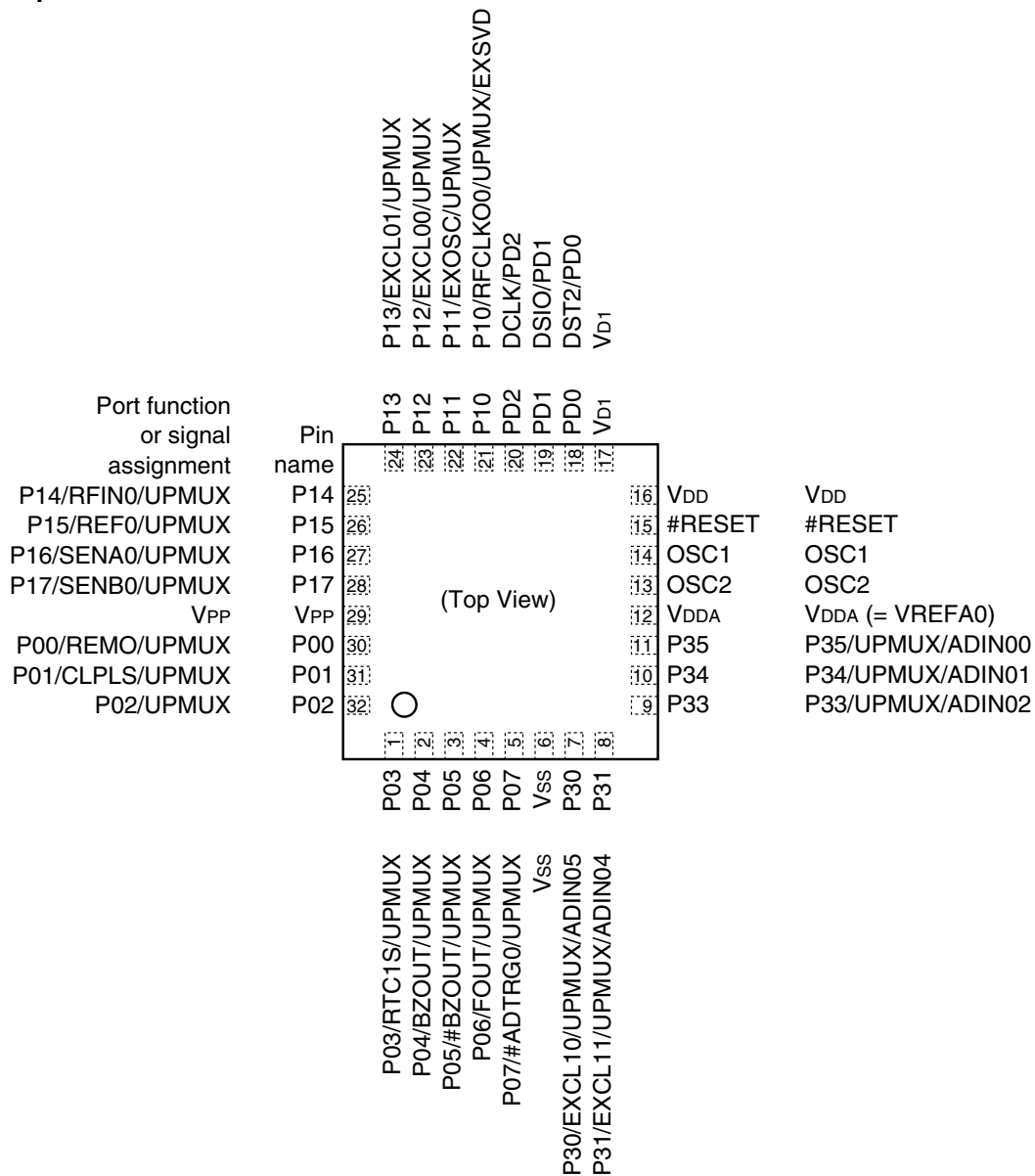
## ■ PIN CONFIGURATION DIAGRAMS

TQFP12-48pin



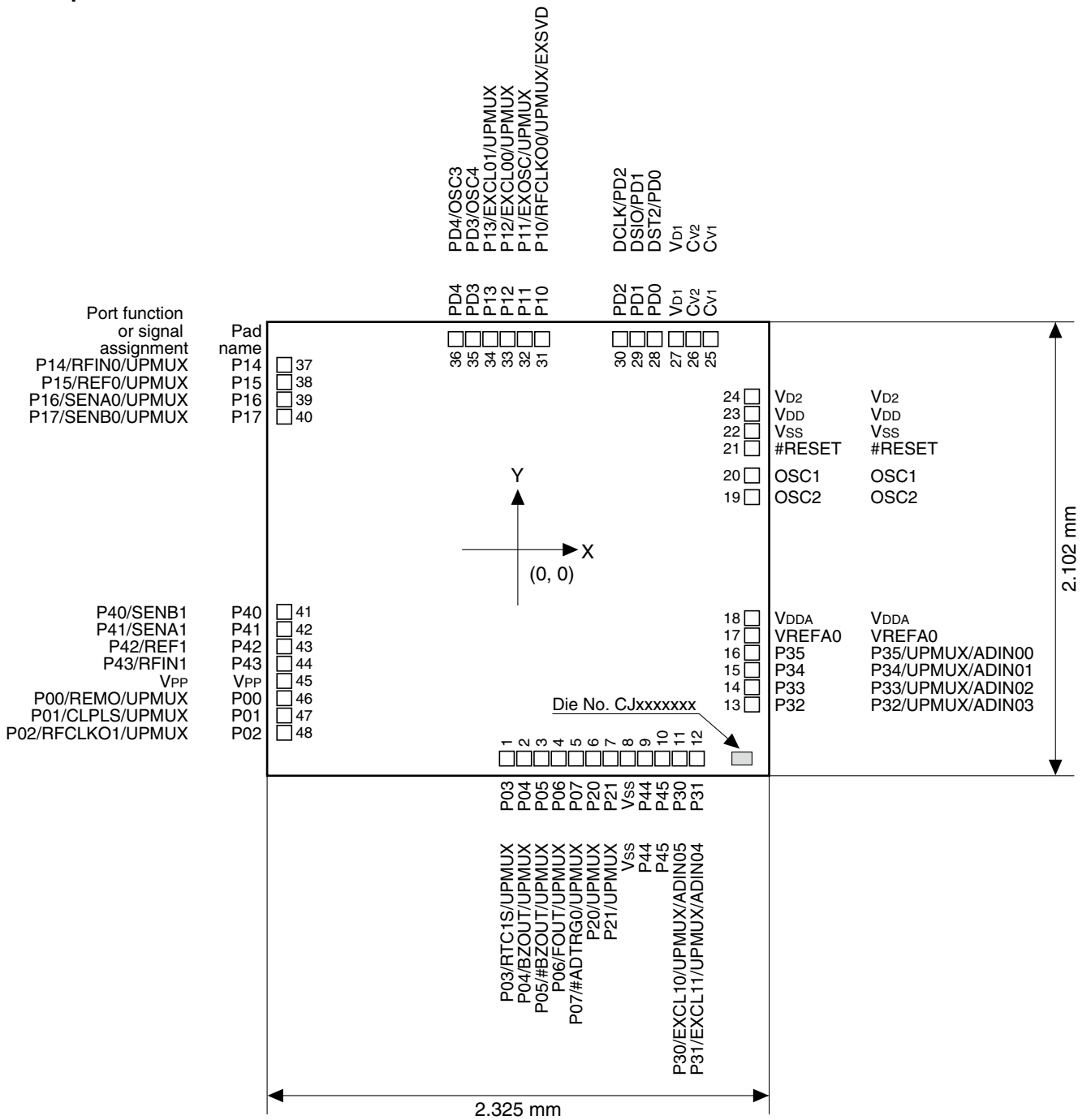
# S1C17W03/W04

SQFN5-32pin



# S1C17W03/W04

## Chip



# S1C17W03/W04

## ■ PIN DESCRIPTIONS

### Symbol meanings

Assigned signal: The signal listed at the top of each pin is assigned in the initial state. The pin function must be switched via software to assign another signal (see the “I/O Ports” chapter).

I/O: I = Input  
 O = Output  
 I/O = Input/output  
 P = Power supply  
 A = Analog signal  
 Hi-Z = High impedance state

Initial state: I (Pull-up) = Input with pulled up  
 I (Pull-down) = Input with pulled down  
 Hi-Z = High impedance state  
 O (H) = High level output  
 O (L) = Low level output

Tolerant fail-safe structure:

✓ = Over voltage tolerant fail-safe type I/O cell included (see the “I/O Ports” chapter)  
 The over voltage tolerant fail-safe type I/O cell allows interfacing without passing unnecessary current even if a voltage exceeding  $V_{DD}$  is applied to the port. Also unnecessary current is not consumed when the port is externally biased without supplying  $V_{DD}$ .

Pin/pad name	Assigned signal	I/O	Initial state	Tolerant fail-safe structure	Function	32-pin	48-pin/Chip
V <sub>DD</sub>	V <sub>DD</sub>	P	–	–	Power supply (+)	✓	✓
V <sub>DDA</sub>	V <sub>DDA</sub>	P	–	–	Analog power supply (+)	✓	✓
V <sub>SS</sub>	V <sub>SS</sub>	P	–	–	GND	✓	✓
V <sub>PP</sub>	V <sub>PP</sub>	P	–	–	Power supply for Flash programming	✓	✓
V <sub>D1</sub>	V <sub>D1</sub>	A	–	–	DC-DC converter output	✓	✓
V <sub>D2</sub>	V <sub>D2</sub>	A	–	–	DC-DC converter stabilization capacitor connect pin	–	✓
C <sub>V1-2</sub>	C <sub>V1-2</sub>	A	–	–	DC-DC converter charge pump capacitor connect pins	–	✓
OSC1	OSC1	A	–	–	OSC1 oscillator circuit input	✓	✓
OSC2	OSC2	A	–	–	OSC1 oscillator circuit output	✓	✓
VREFA0	VREFA0	A	–	–	12-bit A/D converter Ch.0 reference voltage input	–	✓
#RESET	#RESET	I	I (Pull-up)	–	Reset input	✓	✓
P00	P00	I/O	Hi-Z	–	I/O port	✓	✓
	REMO	O			IR remote controller transmit data output	✓	✓
	UPMUX	I/O			User-selected I/O (universal port multiplexer)	✓	✓
P01	P01	I/O	Hi-Z	–	I/O port	✓	✓
	CLPLS	O			IR remote controller clear pulse output	✓	✓
	UPMUX	I/O			User-selected I/O (universal port multiplexer)	✓	✓
P02	P02	I/O	Hi-Z	–	I/O port	✓	✓
	RFCLKO1	O			R/F converter Ch.1 clock monitor output	–	✓
	UPMUX	I/O			User-selected I/O (universal port multiplexer)	✓	✓
P03	P03	I/O	Hi-Z	–	I/O port	✓	✓
	RTC1S	O			Real-time clock 1-second cycle pulse output	✓	✓
	UPMUX	I/O			User-selected I/O (universal port multiplexer)	✓	✓
P04	P04	I/O	Hi-Z	–	I/O port	✓	✓
	BZOUT	O			Sound generator output	✓	✓
	UPMUX	I/O			User-selected I/O (universal port multiplexer)	✓	✓
P05	P05	I/O	Hi-Z	–	I/O port	✓	✓
	#BZOUT	O			Sound generator inverted output	✓	✓
	UPMUX	I/O			User-selected I/O (universal port multiplexer)	✓	✓
P06	P06	I/O	Hi-Z	–	I/O port	✓	✓
	FOUT	O			Clock external output	✓	✓
	UPMUX	I/O			User-selected I/O (universal port multiplexer)	✓	✓
P07	P07	I/O	Hi-Z	–	I/O port	✓	✓
	#ADTRG0	I			12-bit A/D converter Ch.0 trigger input	✓	✓
	UPMUX	I/O			User-selected I/O (universal port multiplexer)	✓	✓



# S1C17W03/W04

Pin/pad name	Assigned signal	I/O	Initial state	Tolerant fail-safe structure	Function	32-pin	48-pin/Chip
P10	P10	I/O	Hi-Z	-	I/O port	✓	✓
	RFCLKO0	O			R/F converter Ch.0 clock monitor output	✓	✓
	UPMUX	I/O			User-selected I/O (universal port multiplexer)	✓	✓
	EXSVD	A			External power supply voltage detection input	✓	✓
P11	P11	I/O	Hi-Z	-	I/O port	✓	✓
	EXOSC	I			Clock generator external clock input	✓	✓
	UPMUX	I/O			User-selected I/O (universal port multiplexer)	✓	✓
P12	P12	I/O	Hi-Z	-	I/O port	✓	✓
	EXCL00	I			16-bit PWM timer Ch.0 event counter input 0	✓	✓
	UPMUX	I/O			User-selected I/O (universal port multiplexer)	✓	✓
P13	P13	I/O	Hi-Z	-	I/O port	✓	✓
	EXCL01	I			16-bit PWM timer Ch.0 event counter input 1	✓	✓
	UPMUX	I/O			User-selected I/O (universal port multiplexer)	✓	✓
P14	P14	I/O	Hi-Z	-	I/O port	✓	✓
	RFIN0	A			R/F converter Ch.0 oscillation input	✓	✓
	UPMUX	I/O			User-selected I/O (universal port multiplexer)	✓	✓
P15	P15	I/O	Hi-Z	-	I/O port	✓	✓
	REF0	A			R/F converter Ch.0 reference oscillator pin	✓	✓
	UPMUX	I/O			User-selected I/O (universal port multiplexer)	✓	✓
P16	P16	I/O	Hi-Z	-	I/O port	✓	✓
	SENA0	A			R/F converter Ch.0 sensor A oscillator pin	✓	✓
	UPMUX	I/O			User-selected I/O (universal port multiplexer)	✓	✓
P17	P17	I/O	Hi-Z	-	I/O port	✓	✓
	SENB0	A			R/F converter Ch.0 sensor B oscillator pin	✓	✓
	UPMUX	I/O			User-selected I/O (universal port multiplexer)	✓	✓
P20	P20	I/O	Hi-Z	-	I/O port	-	✓
	UPMUX	I/O			User-selected I/O (universal port multiplexer)	-	✓
P21	P21	I/O	Hi-Z	-	I/O port	-	✓
	UPMUX	I/O			User-selected I/O (universal port multiplexer)	-	✓
P30	P30	I/O	Hi-Z	-	I/O port	✓	✓
	EXCL10	I			16-bit PWM timer Ch.1 event counter input 0	✓	✓
	UPMUX	I/O			User-selected I/O (universal port multiplexer)	✓	✓
	ADIN05	A			12-bit A/D converter Ch.0 analog signal input 5	✓	✓
P31	P31	I/O	Hi-Z	-	I/O port	✓	✓
	EXCL11	I			16-bit PWM timer Ch.1 event counter input 1	✓	✓
	UPMUX	I/O			User-selected I/O (universal port multiplexer)	✓	✓
	ADIN04	A			12-bit A/D converter Ch.0 analog signal input 4	✓	✓
P32	P32	I/O	Hi-Z	-	I/O port	-	✓
	UPMUX	I/O			User-selected I/O (universal port multiplexer)	-	✓
	ADIN03	A			12-bit A/D converter Ch.0 analog signal input 3	-	✓
P33	P33	I/O	Hi-Z	-	I/O port	✓	✓
	UPMUX	I/O			User-selected I/O (universal port multiplexer)	✓	✓
	ADIN02	A			12-bit A/D converter Ch.0 analog signal input 2	✓	✓
P34	P34	I/O	Hi-Z	-	I/O port	✓	✓
	UPMUX	I/O			User-selected I/O (universal port multiplexer)	✓	✓
	ADIN01	A			12-bit A/D converter Ch.0 analog signal input 1	✓	✓
P35	P35	I/O	Hi-Z	-	I/O port	✓	✓
	UPMUX	I/O			User-selected I/O (universal port multiplexer)	✓	✓
	ADIN00	A			12-bit A/D converter Ch.0 analog signal input 0	✓	✓
P40	P40	I/O	Hi-Z	-	I/O port	-	✓
P41	P41	I/O	Hi-Z	-	R/F converter Ch.1 sensor B oscillator pin	-	✓
	SENA1	A			R/F converter Ch.1 sensor A oscillator pin	-	✓
P42	P42	I/O	Hi-Z	-	I/O port	-	✓
	REF1	A			R/F converter Ch.1 reference oscillator pin	-	✓
P43	P43	I/O	Hi-Z	-	I/O port	-	✓
	RFIN1	A			R/F converter Ch.1 oscillation input	-	✓

# S1C17W03/W04

Pin/pad name	Assigned signal	I/O	Initial state	Tolerant fail-safe structure	Function	32-pin	48-pin/Chip
P44	P44	I/O	Hi-Z	-	I/O port	-	✓
P45	P45	I/O	Hi-Z	-	I/O port	-	✓
PD0	DST2	O	O (L)	-	On-chip debugger status output	✓	✓
	PD0	I/O			I/O port	✓	✓
PD1	DSIO	I/O	I (Pull-up)	-	On-chip debugger data input/output	✓	✓
	PD1	I/O			I/O port	✓	✓
PD2	DCLK	O	O (H)	-	On-chip debugger clock output	✓	✓
	PD2	O			Output port	✓	✓
PD3	PD3	I/O	Hi-Z	-	I/O port	-	✓
	OSC4	A			OSC3 oscillator circuit output	-	✓
PD4	PD4	I/O	Hi-Z	-	I/O port	-	✓
	OSC3	A			OSC3 oscillator circuit input	-	✓

## Universal port multiplexer (UPMUX)

The universal port multiplexer (UPMUX) allows software to select the peripheral circuit input/output function to be assigned to each pin from those listed below. Note, however, that a function cannot be assigned to two or more pins simultaneously.

Peripheral circuit	Signal to be assigned	I/O	Channel number <i>n</i>	Function
Synchronous serial interface (SPIA)	SDIn	I	S1C17W03: <i>n</i> = 0, 1	SPIA Ch. <i>n</i> data input
	SDOn	O	S1C17W04: <i>n</i> = 0, 1	SPIA Ch. <i>n</i> data output
	SPICLK <sub><i>n</i></sub>	I/O		SPIA Ch. <i>n</i> clock input/output
	#SPISS <sub><i>n</i></sub>	I		SPIA Ch. <i>n</i> slave-select input
I <sup>2</sup> C (I2C)	SCL <sub><i>n</i></sub>	I/O	S1C17W03: <i>n</i> = 0	I2C Ch. <i>n</i> clock input/output
	SDA <sub><i>n</i></sub>	I/O	S1C17W04: <i>n</i> = 0	I2C Ch. <i>n</i> data input/output
UART (UART)	USIN <sub><i>n</i></sub>	I	S1C17W03: <i>n</i> = 0, 1	UART Ch. <i>n</i> data input
	USOUT <sub><i>n</i></sub>	O	S1C17W04: <i>n</i> = 0, 1	UART Ch. <i>n</i> data output
16-bit PWM timer (T16B)	TOUT <sub><i>n</i></sub> 0/CAP <sub><i>n</i></sub> 0	I/O	S1C17W03: <i>n</i> = 0, 1	T16B Ch. <i>n</i> PWM output/capture input 0
	TOUT <sub><i>n</i></sub> 1/CAP <sub><i>n</i></sub> 1	I/O	S1C17W04: <i>n</i> = 0, 1	T16B Ch. <i>n</i> PWM output/capture input 1

### NOTICE:

No part of this material may be reproduced or duplicated in any form or by any means without the written permission of Seiko Epson. Seiko Epson reserves the right to make changes to this material without notice. Seiko Epson does not assume any liability of any kind arising out of any inaccuracies contained in this material or due to its application or use in any product or circuit and, further, there is no representation that this material is applicable to products requiring high level reliability, such as, medical products. Moreover, no license to any intellectual property rights is granted by implication or otherwise, and there is no representation or warranty that anything made in accordance with this material will be free from any patent or copyright infringement of a third party. When exporting the products or technology described in this material, you should comply with the applicable export control laws and regulations and follow the procedures required by such laws and regulations. You are requested not to use, to resell, to export and/or to otherwise dispose of the products (and any technical information furnished, if any) for the development and/or manufacture of weapon of mass destruction or for other military purposes.

All brands or product names mentioned herein are trademarks and/or registered trademarks of their respective companies.

©Seiko Epson Corporation 2015, All rights reserved

## SEIKO EPSON CORPORATION

MICRODEVICES OPERATIONS DIVISION

### Device Sales & Marketing Department

421-8 Hino, Hino-shi, Tokyo 191-8501, JAPAN  
Phone: +81-42-587-5814 FAX: +81-42-587-5117

EPSON semiconductor website

<http://global.epson.com/products/semicon/>

Document Code: 412748100  
Issue February 2015 in JAPAN ©