

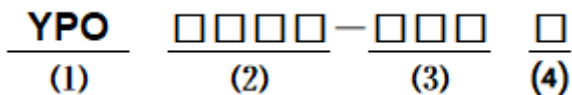
**■ Features**

- High energy storage capacity and low DCR.
- Ferrite bobbin core and low profile,small size.
- High heat resistance,ideal for re-flow solding.
- High reliability.
- Operating temperature:-40°C ~ +125°C.

**■ Applications**

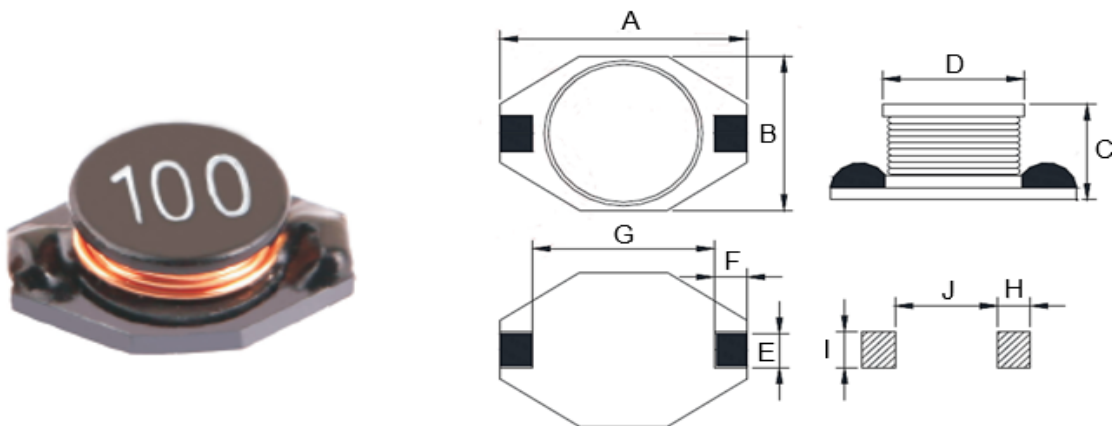
- Portable communication equipment.
- Notebook PC,digital camera,LCD television set.
- Power supply for VTR,OA equipment.
- DC/DC converters.

**■ Product Identification**



- (1) : Type
- (2) : Dimensions
- (3) : Inductance value
- (4) : Inductance Tolerance; N=±30%,M=±20%, K=±10%

**■ Shapes and Dimensions (Unit: mm)**



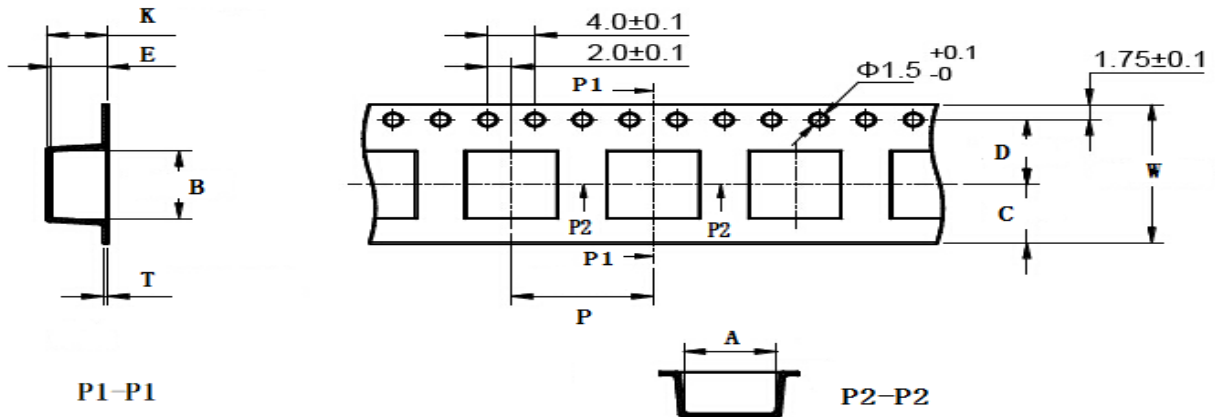
| TYPE    | A Max. | B Max. | C Max. | D Max. | E Ref. | F Ref. | G Ref. | H Ref. | I Ref. | J Ref. |
|---------|--------|--------|--------|--------|--------|--------|--------|--------|--------|--------|
| YPO3316 | 12.95  | 9.40   | 5.21   | 8.38   | 2.54   | 2.54   | 7.62   | 2.90   | 3.00   | 7.30   |

## ■ YPO3316 Series

| Part Number  | Inductance<br>(uH) | Test Freq.<br>(KHz) | DCR MAX.<br>(Ω) | Saturation<br>Current (A) | Heat Rating<br>Current (A) |
|--------------|--------------------|---------------------|-----------------|---------------------------|----------------------------|
| YPO3316-1R0□ | 1.0                | 100                 | 0.009           | 9.00                      | 6.80                       |
| YPO3316-1R5□ | 1.5                | 100                 | 0.010           | 8.00                      | 6.40                       |
| YPO3316-2R2□ | 2.2                | 100                 | 0.012           | 7.00                      | 6.10                       |
| YPO3316-3R3□ | 3.3                | 100                 | 0.015           | 6.40                      | 5.40                       |
| YPO3316-4R7□ | 4.7                | 100                 | 0.018           | 5.40                      | 4.80                       |
| YPO3316-6R8□ | 6.8                | 100                 | 0.027           | 4.60                      | 4.40                       |
| YPO3316-100□ | 10                 | 100                 | 0.038           | 3.80                      | 3.90                       |
| YPO3316-150□ | 15                 | 100                 | 0.046           | 3.00                      | 3.10                       |
| YPO3316-220□ | 22                 | 100                 | 0.085           | 2.60                      | 2.70                       |
| YPO3316-330□ | 33                 | 100                 | 0.100           | 2.00                      | 2.10                       |
| YPO3316-470□ | 47                 | 100                 | 0.140           | 1.60                      | 1.80                       |
| YPO3316-680□ | 68                 | 100                 | 0.200           | 1.40                      | 1.50                       |
| YPO3316-101□ | 100                | 100                 | 0.280           | 1.20                      | 1.30                       |
| YPO3316-151□ | 150                | 100                 | 0.400           | 1.00                      | 1.00                       |
| YPO3316-221□ | 220                | 100                 | 0.610           | 0.80                      | 0.80                       |
| YPO3316-331□ | 330                | 100                 | 1.020           | 0.60                      | 0.60                       |
| YPO3316-471□ | 470                | 100                 | 1.270           | 0.50                      | 0.50                       |
| YPO3316-681□ | 680                | 100                 | 2.020           | 0.40                      | 0.40                       |
| YPO3316-102□ | 1000               | 100                 | 3.000           | 0.30                      | 0.30                       |

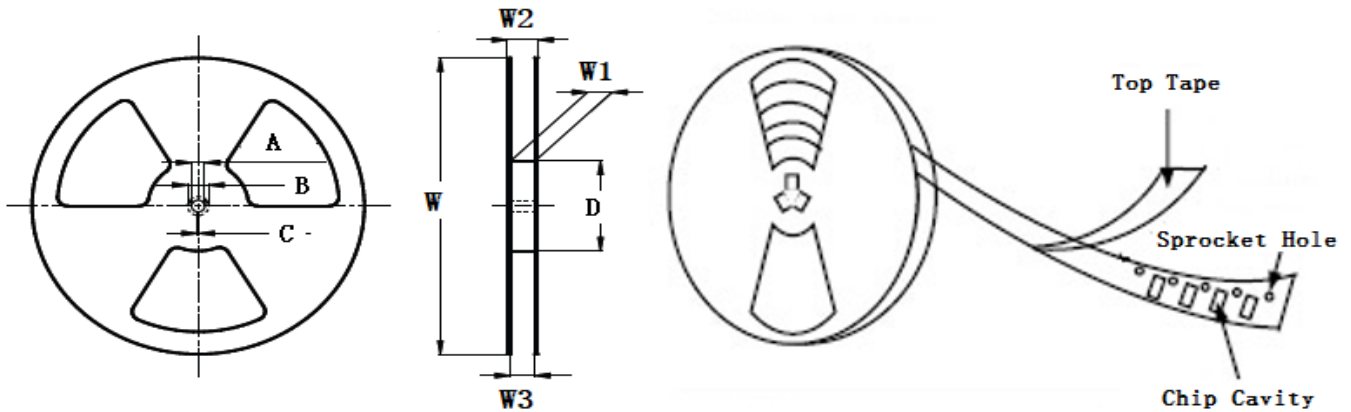
- ※ The saturation current value is the DC current value having inductance decrease down to 30%.(at 20°C)
- ※ The temperature rise current value is the DC current value having temperature increase up to 40°C. (at 20°C)
- ※ The rated current is the DC current value that satisfies both of current value saturation current value and temperature rise current value.

**■ Taping Dimensions(Unit:mm)**



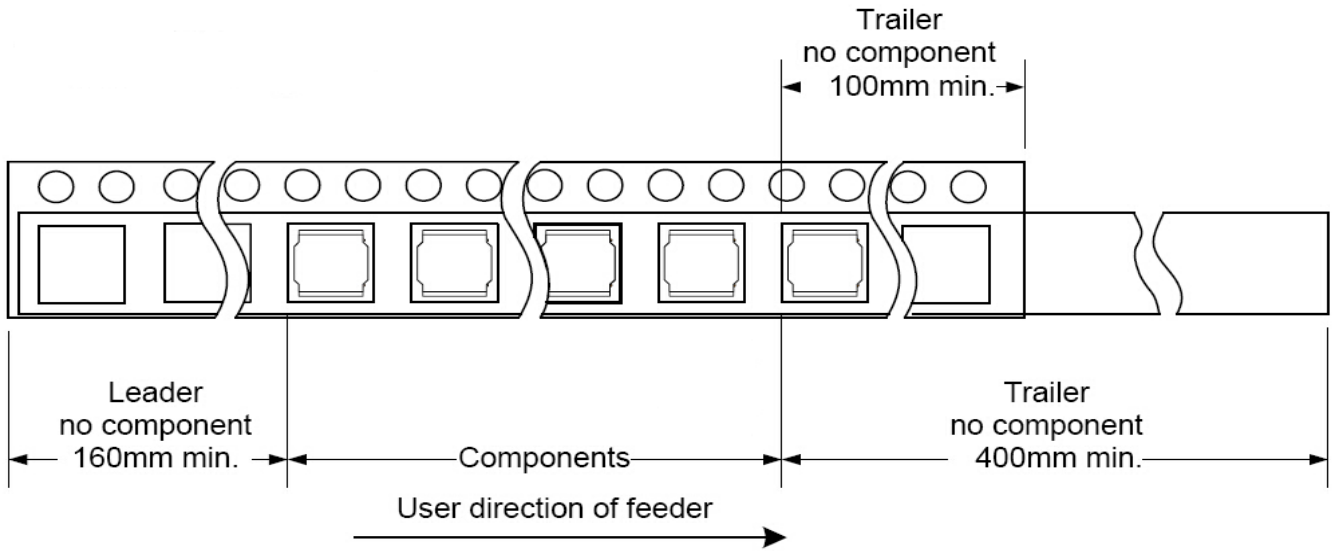
| TYPE    | W      | A       | B         | C     | D        | E        | P      | K Ref | T         | MPQ  |
|---------|--------|---------|-----------|-------|----------|----------|--------|-------|-----------|------|
| YPO3316 | 24±0.3 | 9.6±0.1 | 13.05±0.1 | 10.75 | 11.5±0.1 | 5.60±0.1 | 12±0.1 | 5.80  | 0.35±0.05 | 1000 |

**■ Reel Dimensions(Unit:mm)**

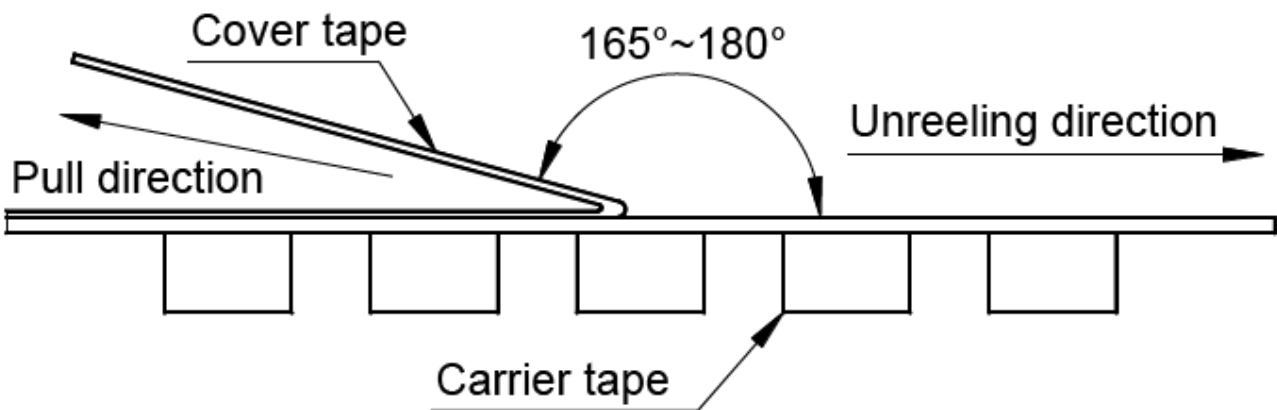


| TYPE    | W       | W1        | W2      | W3       | A         | B         | C        | D       |
|---------|---------|-----------|---------|----------|-----------|-----------|----------|---------|
| YPO3316 | 330±2.0 | 24.4±1.50 | 30.4MAX | 23.9 Min | 13.0±0.50 | 21.0±0.80 | 2.0±0.50 | 100 Min |

**Direction of rolling**



**Cover tape peel off condition**



Cover tape peel force shall be 0.1N to 1.3N.

Reference peel speed 300±10mm/min.