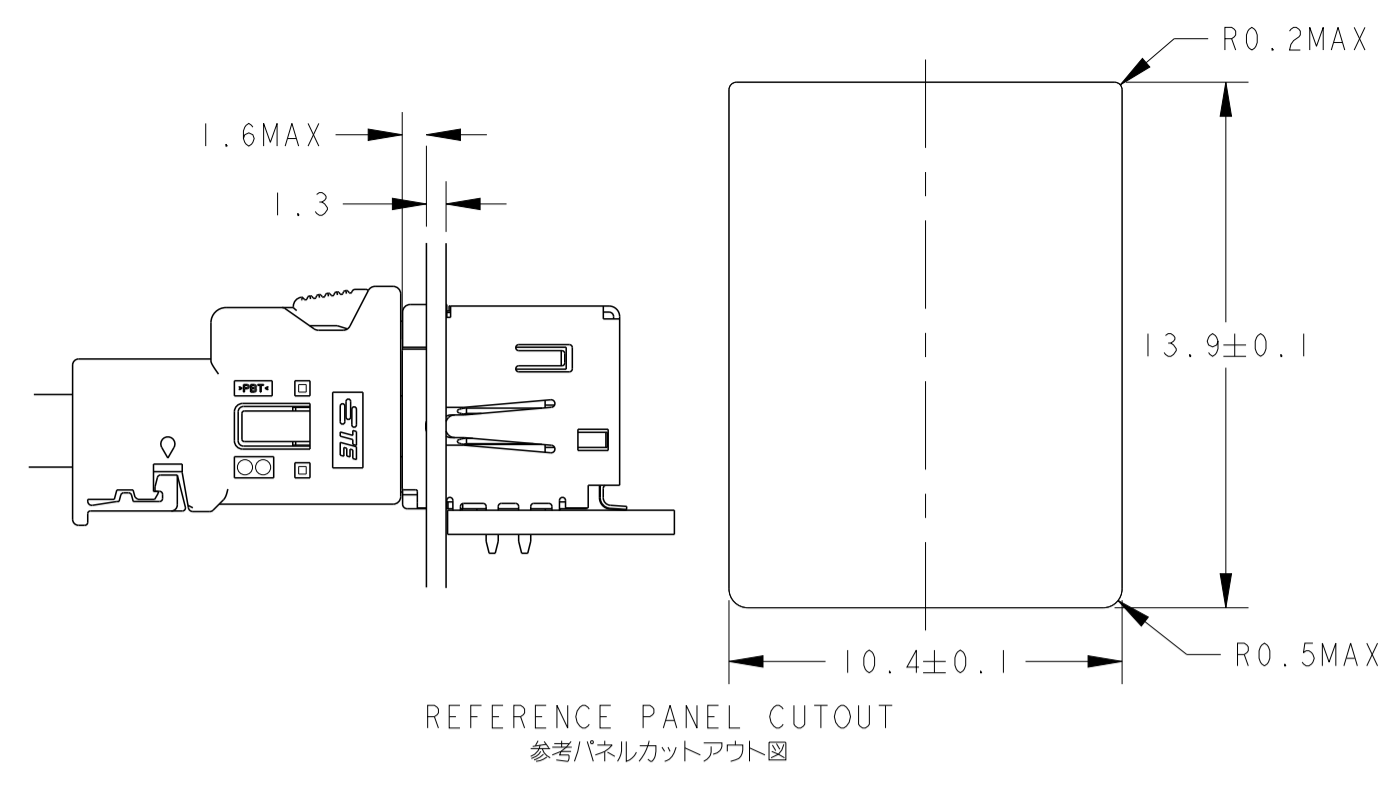
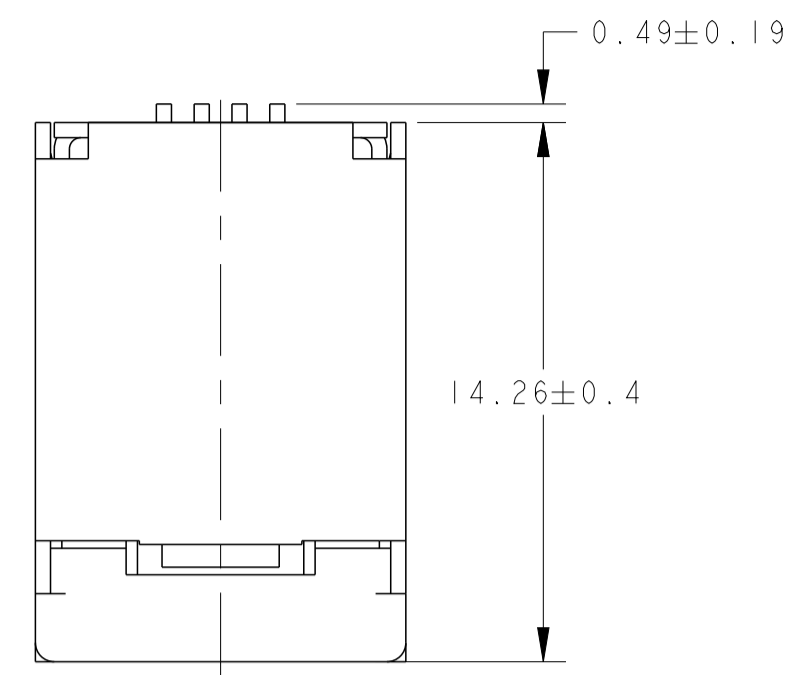
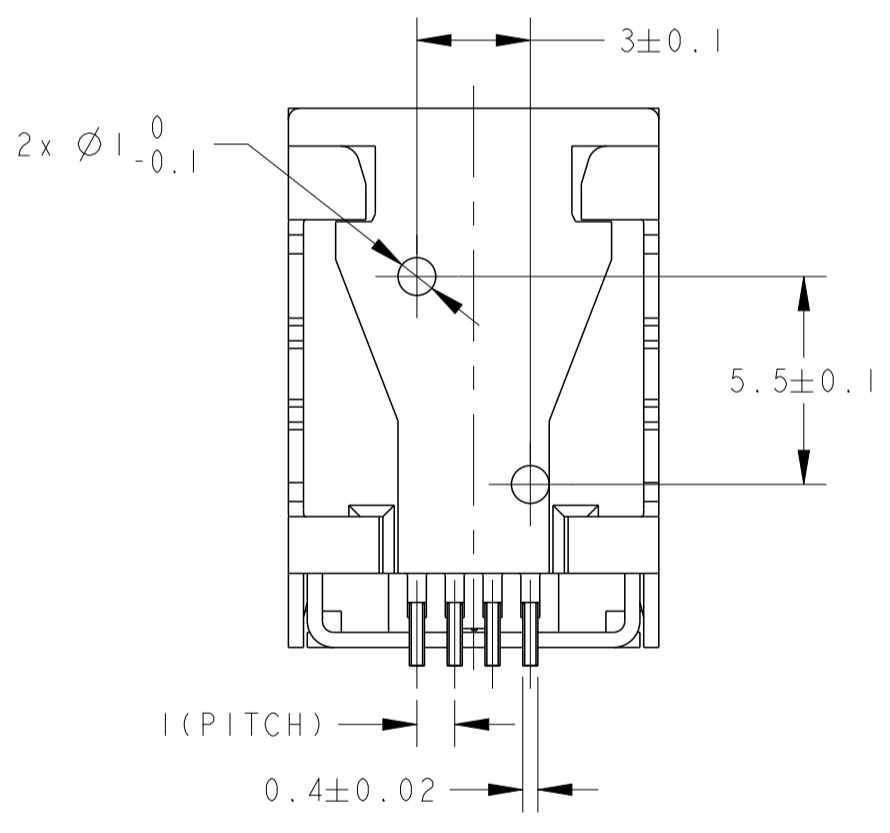
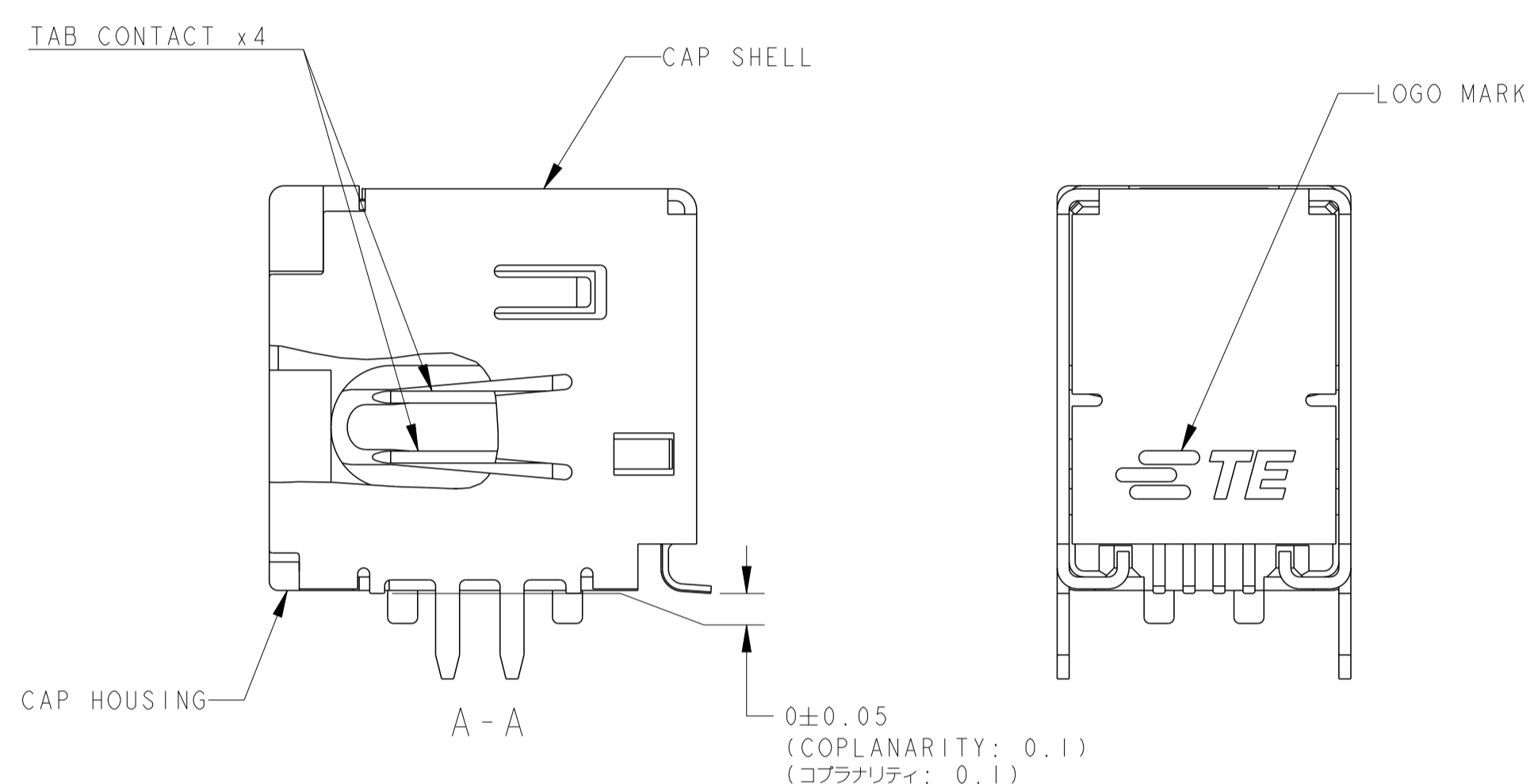
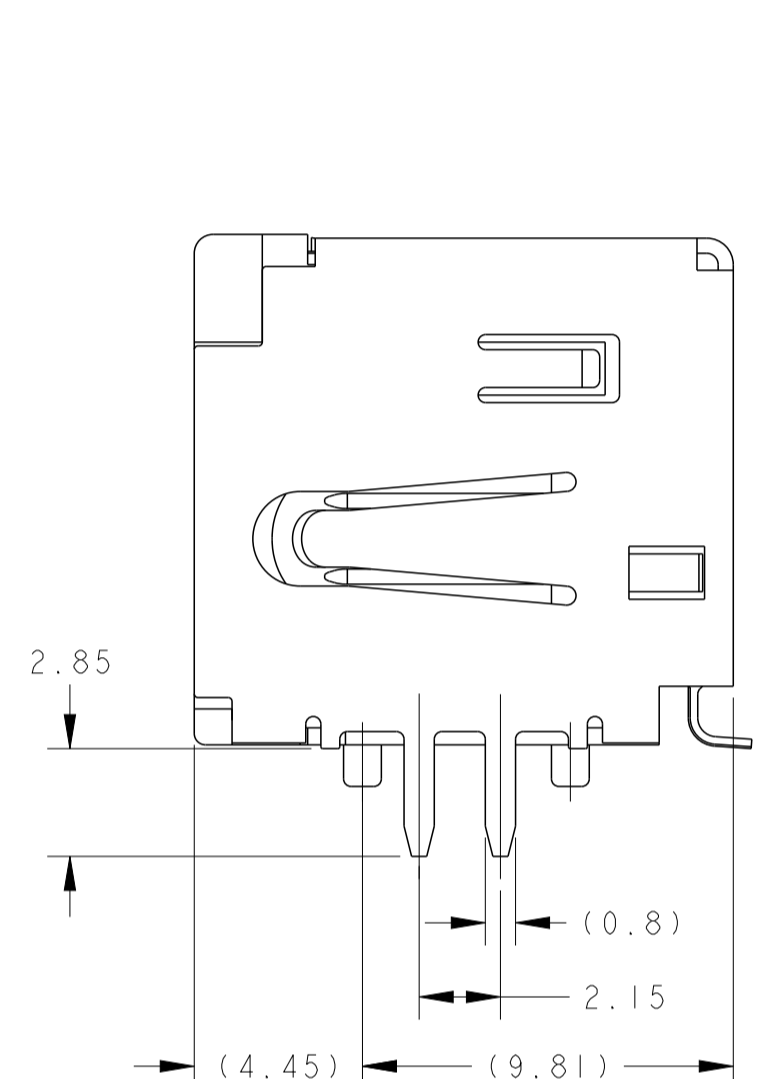
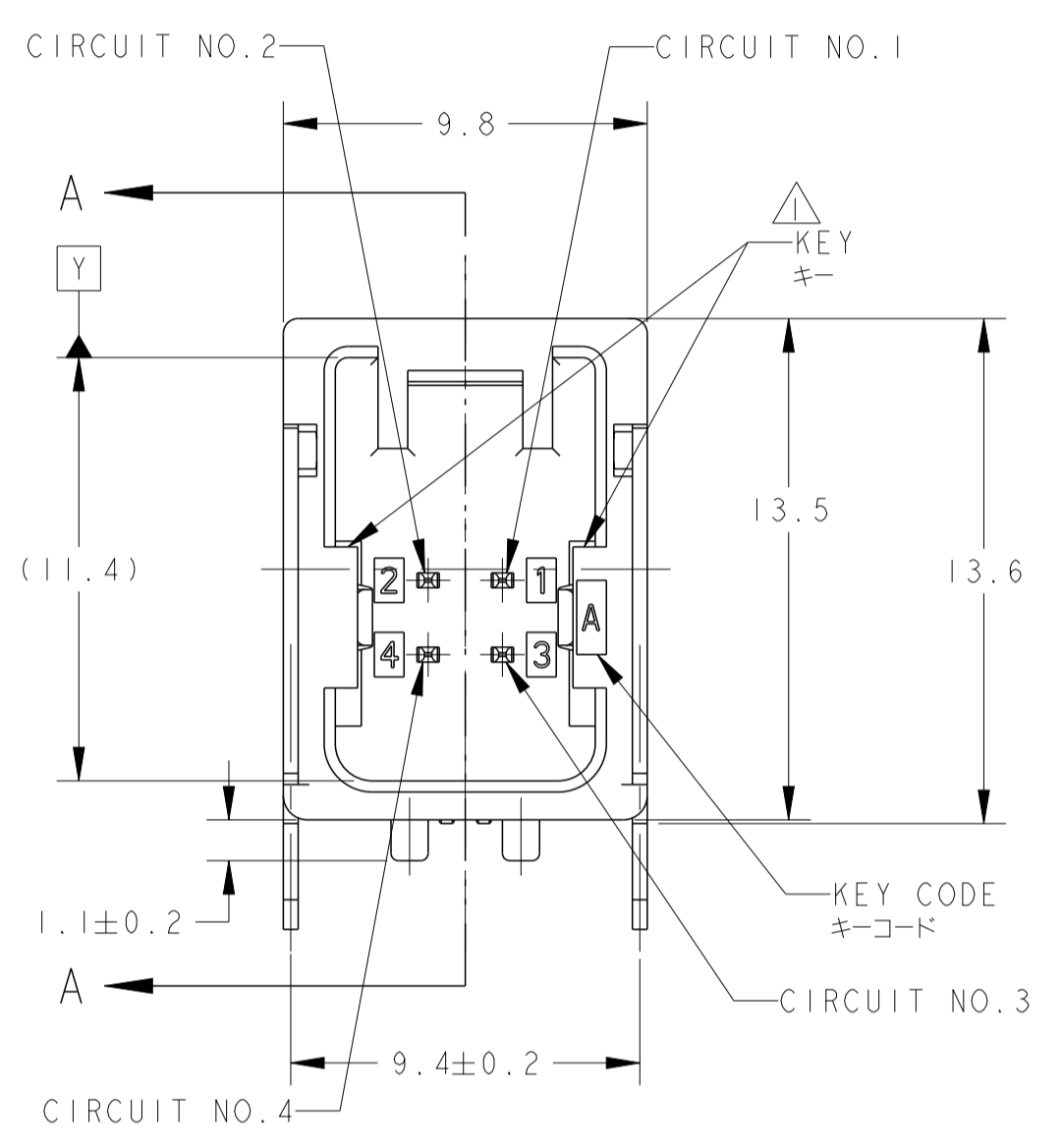
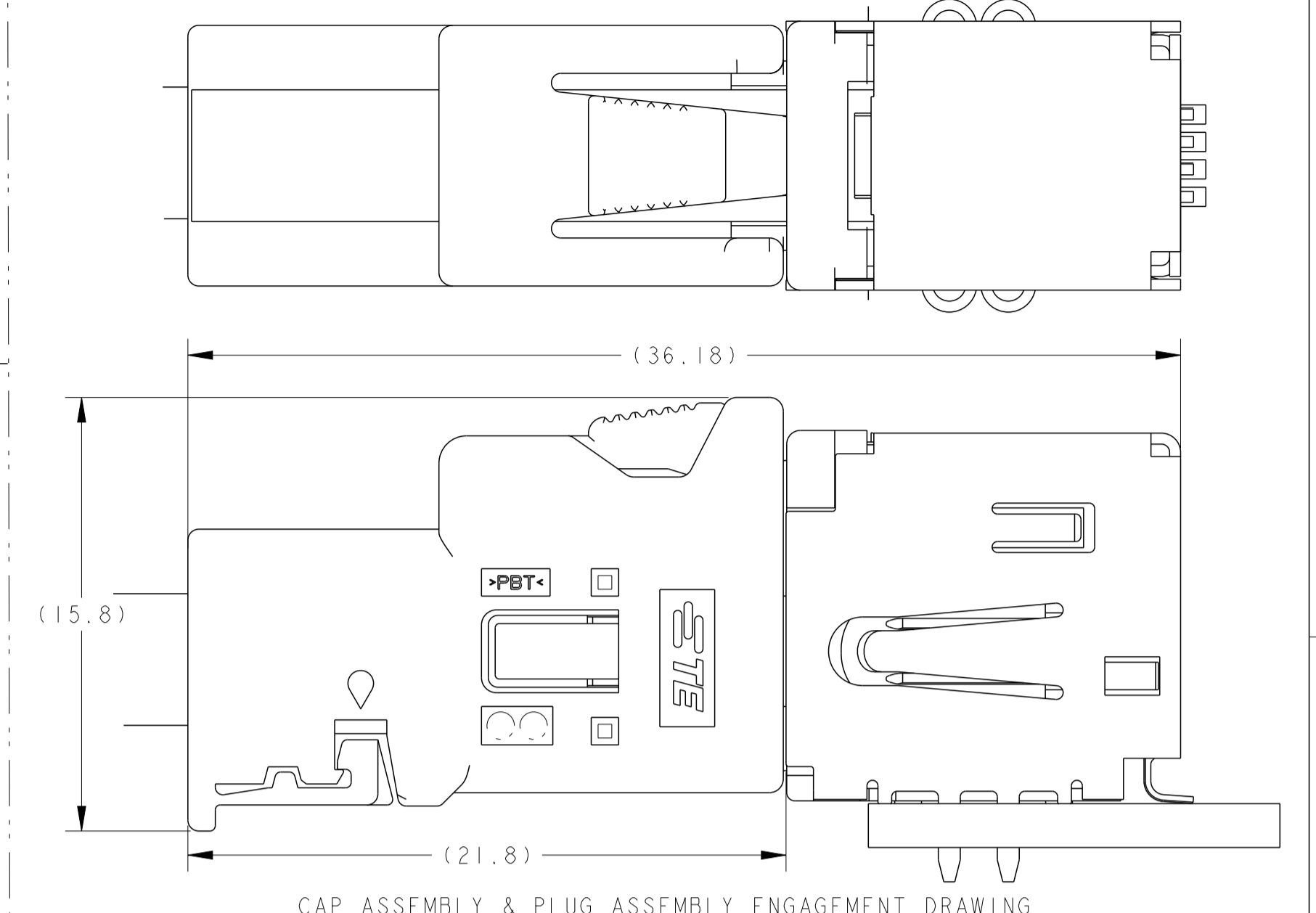


1-1554979-9: AS SHOWN (本図)



REV. LIST		REVISIONS			
NO.	DATE	DESCRIPTION	DATE	BY	APPV
A	03FEB2016	RELEASED	03FEB2016	TK	MS



△.SEE TABLE 1 IN THE INSTRUCTION SHEET, 408-78138, TO REFER TO PLUG COMPONENTS TOE MATED.
 △.PCB RECOMMENDED DIMENSIONS ARE APPLIED TO ALL KEY VARIATIONS.
 △.嵌合相手のプラグコンポーネントについては 取扱説明書 408-78138を参照のこと
 △.基板推奨寸法は全PN共通

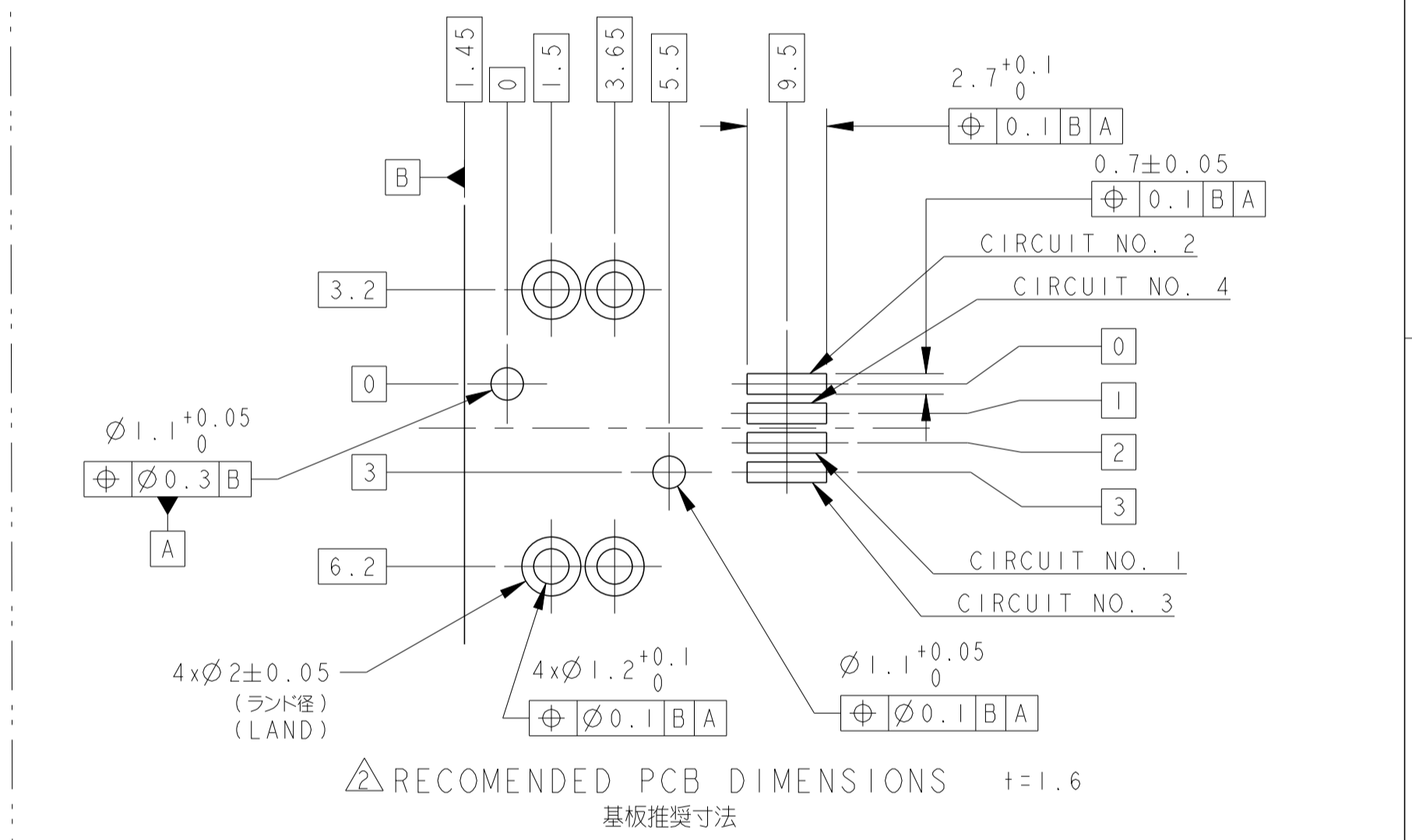


TABLE 1 △

PN	1-1554979-9 2290247-1	2-1554979-0 2290247-2	2-1554979-1 2290247-3	2-1554979-2 2290247-4	2-1554979-3 2290247-5
PRODUCT FORM					
KEY TYPE	A	B	C	D	E

PAPER BOX	TAPE&REEL	POST-TIN	COPPER ALLOY	POST-TIN	BRASS	PPS	BLUE	KEY E	2290247-5
PAPER BOX	TAPE&REEL	POST-TIN	COPPER ALLOY	POST-TIN	BRASS	PPS	BROWN	KEY D	2290247-4
PAPER BOX	TAPE&REEL	POST-TIN	COPPER ALLOY	POST-TIN	BRASS	PPS	GRAY BRIGE	KEY C	2290247-3
PAPER BOX	TAPE&REEL	POST-TIN	COPPER ALLOY	POST-TIN	BRASS	PPS	GRAY	KEY B	2290247-2
PAPER BOX	TAPE&REEL	POST-TIN	COPPER ALLOY	POST-TIN	BRASS	PPS	BLACK	KEY A	2290247-1
PAPER BOX	TRAY	POST-TIN	COPPER ALLOY	POST-TIN	BRASS	PPS	BLUE	KEY E	2-1554979-3
PAPER BOX	TRAY	POST-TIN	COPPER ALLOY	POST-TIN	BRASS	PPS	BROWN	KEY D	2-1554979-2
PAPER BOX	TRAY	POST-TIN	COPPER ALLOY	POST-TIN	BRASS	PPS	GRAY BRIGE	KEY C	2-1554979-1
PAPER BOX	TRAY	POST-TIN	COPPER ALLOY	POST-TIN	BRASS	PPS	GRAY	KEY B	2-1554979-0
PAPER BOX	TRAY	POST-TIN	COPPER ALLOY	POST-TIN	BRASS	PPS	BLACK	KEY A	1-1554979-9
OUTER	INNER	FINISH	MATERIAL	FINISH	MATERIAL	MATERIAL	COLOR	KEY TYPE	PART NO.
PACKING STYLE	CAP SHELL	TAB CONTACT	CAP HOUSING						
梱包形態	キャップ シェル	タブ コンタクト	キャップ ハウジング						

THIS DRAWING IS A CONTROLLED DOCUMENT. DWN: T. KUMAMOTO 03FEB2016
 CHK: M. SHIMAMOTO 03FEB2016
 DIMENSIONS: mm TOLERANCES UNLESS OTHERWISE SPECIFIED: ±0.3
 9-PLC ±0.5
 1-PLC ±0.5
 2-PLC ±0.3
 3-PLC ±0.3
 4-PLC ±0.001
 ANGLES ±0.001
 FINISH 仕上

TE Connectivity
STE
 CAP ASSEMBLY
 4 POS. RIGHT-ANGLE
 0.50 HSL CONNECTOR

NAME: M. SHIMAMOTO
 PRODUCT SPEC: 108-140085
 APPLICATION SPEC: 03FEB2016

SIZE: A100779
 CAGE CODE: 2290247
 DRAWING NO: 2290247
 WEIGHT: 3.1g
 MATERIAL: SEE TABLE
 FINISH: SEE TABLE
 CUSTOMER DRAWING

RESTRICTED TO SHEET 1 OF 1 REV A