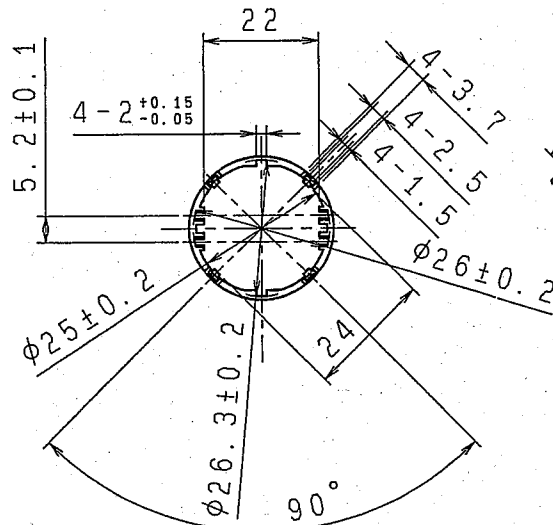
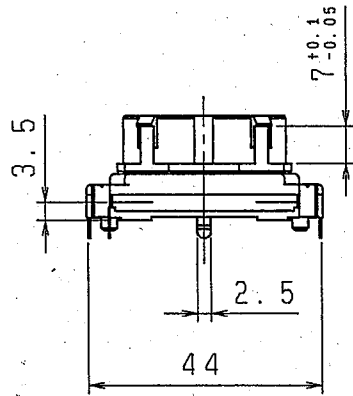
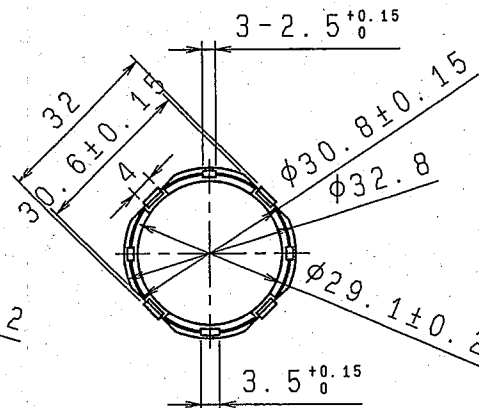


底面から3mmの範囲を規定
APPLIED TO 3mm FROM MOUNTING SURFACE

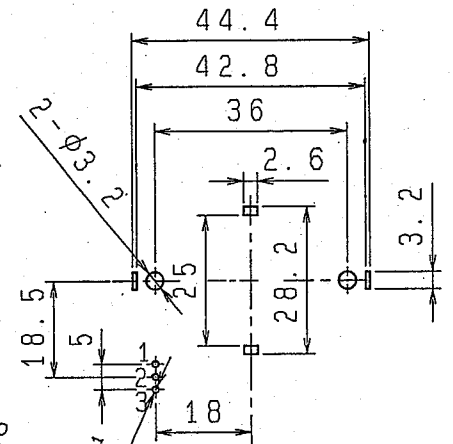
断面AA
SECTION AA



中央部詳細
CENTER HOLE DETAIL



軸部詳細
SHAFT DETAIL



取付穴寸法図 許容差: ±0.1
挿入側より見た図
PWB MOUNTING DETAIL
TOLERANCE: ±0.1
VIEWED FROM MOUNTING SIDE

指定なき部分の許容差 TOLERANCES UNLESS OTHERWISE SPEC	
L ≤ 10	±0.3
10 < L ≤ 100	±0.5
100 ≤ L	±0.8
角度 ANGULAR DIMENSION	±5°

PART NO.	MATERIAL	SPEC/NAME	FINISH
ALPS ELECTRIC CO., LTD.			
DSGD. 3G-8560757	SCALE 1:1	NO.	
H. MIURA 2002-05-29	CHKD.	TITLE	
Y. FUJITA 2002-05-29	APPD.	UNIT DOCUMENT NO.	
H. KAWANO 2002-05-29	UNIT mm	LE245L09	

EC45A1520404