

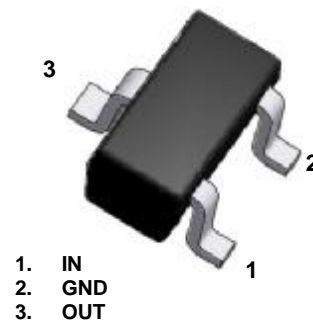
SOT-523 Digital Transistor (Built-in Resistors) PNP Silicon Surface Mount Transistor

Green Product

Absolute Maximum Ratings (T_A = 25°C unless otherwise noted)

Symbol	Parameter	Value	Units
V _{CC}	Supply Voltage	-50	V
V _{IN}	Input Voltage	-40 ~ +10	V
I _O	Output Current	-30	mA
I _{CM}	Peak Collector Current	-100	mA
P _D	Power Dissipation	150	mW
T _J	Junction to Ambient	150	°C
T _{STG}	Storage Temperature Range	-55 to +150	°C

These ratings are limiting values above which the serviceability of the device may be impaired.

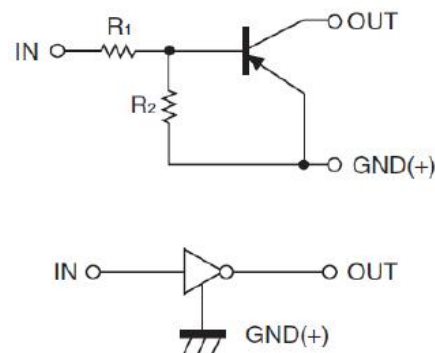


SOT-523 (SC-75A)

FEATURES:

- § Built-in resistors enable the configuration of a inverter circuit without connecting external input resistors.
- § The bias resistors consist of thin-film resistors with complete isolation to allow positive biasing of the input. They also have the advantage of almost completely eliminating parasitic effects.
- § Only the on/off conditions need to be set for operation, making device design easy.
- § RoHS Compliant
- § Green EMC
- § Matte Tin(Sn) Lead Finish
- § Weight: approx. 0.002g

ELECTRICAL SYMBOL:



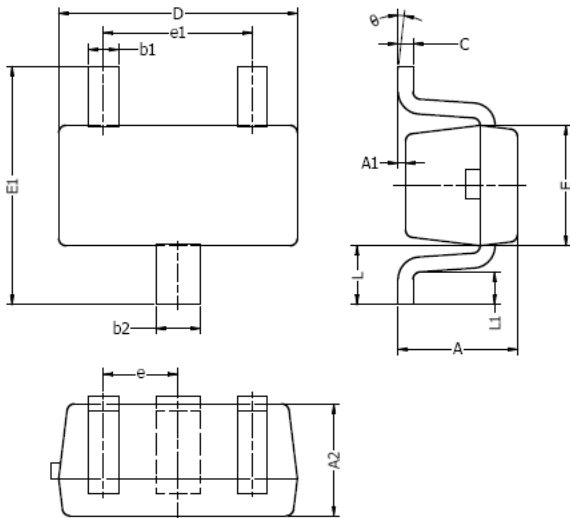
DEVICE MARKING CODE:

Device Type	Device Marking
DTA144EE	16

Electrical Characteristics ($T_A = 25^\circ\text{C}$ unless otherwise noted)

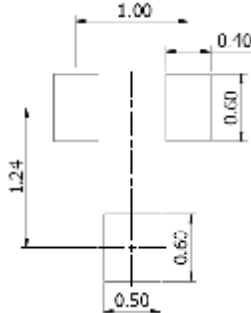
Parameter	Symbol	Test Condition	Limits			Unit
			Min	Typ	Max	
Input Voltage	$V_{I(off)}$	$V_{CC} = -5V, I_O = -100\mu A$	-0.5			V
	$V_{I(on)}$	$V_O = -0.3V, I_O = -2mA$			-3	V
Output Voltage	$V_{O(on)}$	$I_O / I_I = -10mA / -0.5mA$			-0.3	V
Input Current	I_I	$V_I = -5V$			-0.18	mA
Output Current	$I_{O(off)}$	$V_{CC} = -50V, V_I = 0$			-0.5	μA
DC Current Gain	G_I	$V_O = -5V, I_O = -5mA$	68			
Input Resistance	R_1		32.9	47	61.1	K Ω
Resistance Ratio	R_2 / R_1		0.8	1	1.2	
Transition Frequency	f_T	$V_O = -10V, I_O = -5mA$ $f = 100MHz$		250		MHz

SOT-523 Package Outline



DIM	MILLIMETERS		INCHES	
	MIN	MAX	MIN	MAX
A	0.70	0.90	0.028	0.035
A1	0.00	0.10	0.000	0.004
A2	0.70	0.80	0.028	0.031
b1	0.15	0.25	0.006	0.010
b2	0.25	0.35	0.010	0.014
c	0.10	0.20	0.004	0.008
D	1.50	1.70	0.059	0.067
E	0.70	0.90	0.028	0.035
E1	1.45	1.75	0.057	0.069
e	0.50 TYP.		0.020 TYP.	
e1	0.90	1.10	0.035	0.043
L	0.40 REF.		0.016 REF.	
L1	0.10	0.30	0.004	0.012
θ	0°	8°	0°	8°

Typical Soldering Pattern:



NOTES:

1. Above package outline conforms to JEITA EAIJ ED-7500A SC-75A.
2. Dimensions are exclusive of Burrs, Mold Flash & Tie Bar extrusions.

NOTICE

The information presented in this document is for reference only. Tak Cheong reserves the right to make changes without notice for the specification of the products displayed herein.

The product listed herein is designed to be used with ordinary electronic equipment or devices, and not designed to be used with equipment or devices which require high level of reliability and the malfunction of which would directly endanger human life (such as medical instruments, transportation equipment, aerospace machinery, nuclear-reactor controllers, fuel controllers and other safety devices), Tak Cheong Semiconductor Co., Ltd., or anyone on its behalf, assumes no responsibility or liability for any damages resulting from such improper use of sale.

This publication supersedes & replaces all information previously supplied. For additional information, please visit our website <http://www.takcheong.com>, or consult your nearest Tak Cheong's sales office for further assistance.