

4.5Ω Low Voltage Dual SPDT Analog Switch

FEATURES

- **High Bandwidth: 300MHz**
- **High Speed, Typically 30ns**
- **Supply Range: +1.8V to +5.5V**
- **Low ON-State Resistance, 4.5Ω(TYP)**
- **Break-Before-Make Switching**
- **Rail-to-Rail Operation**
- **TTL/CMOS Compatible**
- **Extended Industrial Temperature Range: -40°C to +125°C**

APPLICATIONS

- **Wearable Devices**
- **Battery-Operated Equipment**
- **Signal Gating, Chopping, Modulation or Demodulation (Modem)**
- **Portable Computing**
- **Cell Phones**

FUNCTION TABLE

LOGIC	NO1, NO2	NC1, NC2
0	OFF	ON
1	ON	OFF

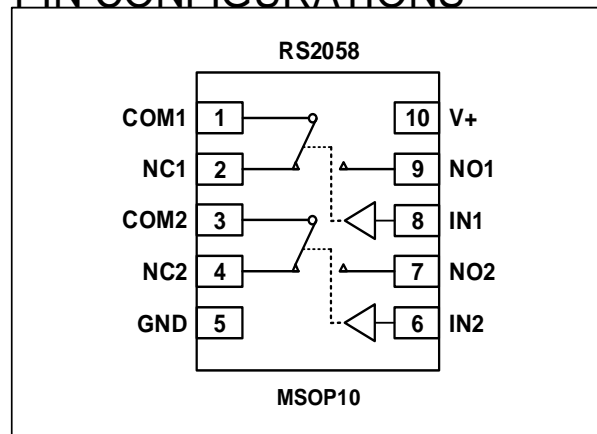
DESCRIPTION

The RS2058 is a dual, single-pole double-throw (SPDT) analog switch that is designed to operate from 1.8 V to 5.5 V.

The RS2058 device can handle both analog and digital signals. It features high-bandwidth(300MHz) and low on-resistance (4.5Ω TYP).

Applications include signal gating, chopping, modulation or demodulation (modem), and signal multiplexing for analog-to-digital and digital-to-analog conversion systems.

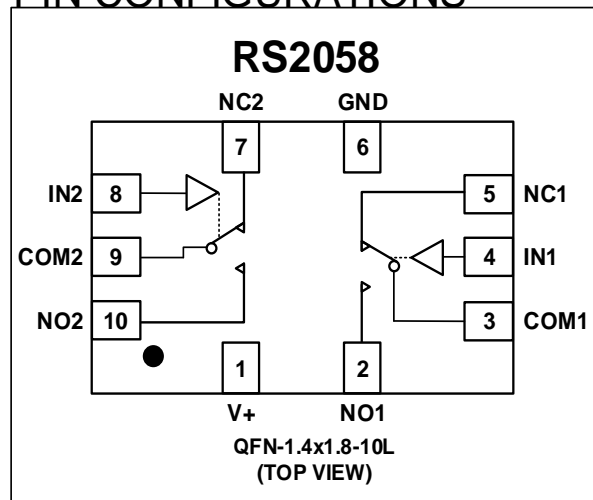
PIN CONFIGURATIONS



PIN DESCRIPTION

NAME	PIN	FUNCTION
COM1, COM2	1, 3	Common Terminal
NC1, NC2	2, 4	Normally-Closed Terminal
GND	5	Ground
IN2, IN1	6, 8	Digital Control Pin
NO2, NO1	7, 9	Normally-Open Terminal
V+	10	Power Supply

PIN CONFIGURATIONS



NAME	PIN	FUNCTION
V+	1	Power Supply
NO1, NO2	2, 10	Normally-Open Terminal
COM1, COM2	3, 9	Common Terminal
IN1, IN2	4, 8	Digital Control Pin
NC1, NC2	5, 7	Normally-Closed Terminal
GND	6	Ground

SPECIFICATIONS

Absolute Maximum Ratings

Over operating free-air temperature range (unless otherwise noted) ⁽¹⁾

SYMBOL	PARAMETER	MIN	MAX	UNIT
V ₊	Supply Voltage	-0.3	6.0	V
V _{IN}	Input Voltage ⁽²⁾	-0.3	6.0	
	Analog, Digital Voltage Range	-0.3	(V ₊)+0.3	
	Continuous Current NO, NC, or COM	-300	+300	mA
I _{PEAK}	Peak Current NO, NC, or COM	-500	+500	
T _J	Junction Temperature		150	°C
T _{stg}	Storage temperature	-65	+150	

(1) Stresses above these ratings may cause permanent damage. Exposure to absolute maximum conditions for extended periods may degrade device reliability. These are stress ratings only, and functional operation of the device at these or any other conditions beyond those specified is not implied.

(2) Input terminals are diode-clamped to the power-supply rails. Input signals that can swing more than 0.3V beyond the supply rails should be current-limited to 10mA or less.

ESD Ratings

			VALUE	UNIT
V _(ESD)	Electrostatic discharge	Human-body model (HBM)	±1000	V
		Machine Model (MM)	±100	V

Recommended Operating Conditions

Over operating free-air temperature range (unless otherwise noted)

SYMBOL	PARAMETER	MIN	MAX	UNIT
V _{CC}	Supply Voltage	1.8	5.5	V
T _A	Operating temperature	-40	+125	°C

Thermal Information

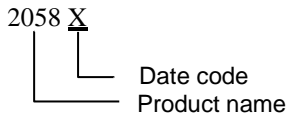
THERMAL METRIC		RS2058		UNIT
		10 PINS		
		MSOP-10	QFN-1.4x1.8-10L	
R _{θJA}	Junction-to-ambient thermal resistance	204	120	°C/W

PACKAGE/ORDERING INFORMATION

PRODUCT	ORDERING NUMBER	TEMPERATURE RANGE	PACKAGE LEAD	PACKAGE MARKING ^(1/2)	PACKAGE OPTION
RS2058	RS2058XN	-40°C~125°C	MSOP-10	RS2058	Tape and Reel,4000
RS2058	RS2058XUTQK10	-40°C ~125°C	QFN-1.4x1.8-10L	2058 <u>X</u>	Tape and Reel,4000

NOTE:

- (1) There may be additional marking, which relates to the lot trace code information(data code and vendor code), the logo or the environmental category on the device.
- (2) X = Date Code

MARKING INFORMATION


ELECTRICAL CHARACTERISTICS

$V_+ = 5.0\text{ V}$, $T_A = -40^\circ\text{C}$ to 125°C (unless otherwise noted)

PARAMETER	SYMBOL	CONDITIONS	V+	T _A	MIN	TYP	MAX	UNITS
ANALOG SWITCH								
Analog Signal Range	V_{NO} , V_{NC} , V_{COM}			FULL	0		V_+	V
On-Resistance	R_{ON}	V_{NO} or $V_{NC} = V_+/2$, $I_{COM} = -10\text{mA}$, Switch ON, See Figure 1	5V	+25°C		4.5	8	Ω
				FULL			8.5	Ω
			3.3V	+25°C		7	10	Ω
				FULL			10.5	Ω
On-Resistance Match Between Channels	R_{ON}	V_{NO} or $V_{NC} = V_+/2$, $I_{COM} = -10\text{mA}$, Switch ON, See Figure 1	5V	+25°C		0.15	0.3	Ω
				FULL			0.4	Ω
			3.3V	+25°C		0.15	0.3	Ω
				FULL			0.4	Ω
On-Resistance Flatness	$R_{FLAT(ON)}$	$0 \leq (V_{NO}$ or $V_{NC}) \leq V_+/2$, $I_{COM} = -10\text{mA}$, Switch ON, See Figure 1	5V	+25°C		2	3	Ω
				FULL			3.3	Ω
			3.3V	+25°C		3	4	Ω
				FULL			4.3	Ω
NC,NO OFF Leakage Current	$I_{NC(OFF)}$, $I_{NO(OFF)}$	V_{NO} or $V_{NC} = 0.3\text{V}$, $V_+/2$ $V_{COM} = V_+/2$, 0.3V See Figure 2	1.8 to 5.5V	FULL			1	μA
NC,NO,COM ON Leakage Current	$I_{NC(ON)}$, $I_{NO(ON)}$, $I_{COM(ON)}$	V_{NO} or $V_{NC} = 0.3\text{V}$, Open $V_{COM} =$ Open, 0.3V See Figure 2	1.8 to 5.5V	FULL			1	μA
DIGITAL CONTROL INPUTS⁽¹⁾								
Input High Voltage	V_{INH}		5V	FULL	1.5			V
			3.3V	FULL	1.3			V
Input Low Voltage	V_{INL}		5V	FULL			0.6	V
			3.3V	FULL			0.5	V
Input Leakage Current	I_{IN}	$V_{IN} = V_{IO}$ or 0	1.8 to 5.5V	FULL			1	μA

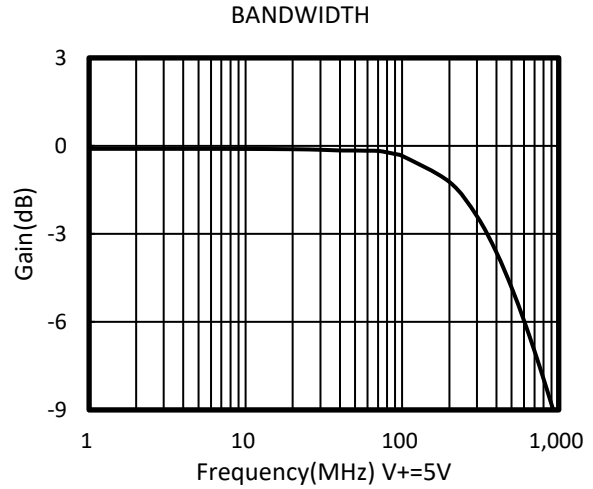
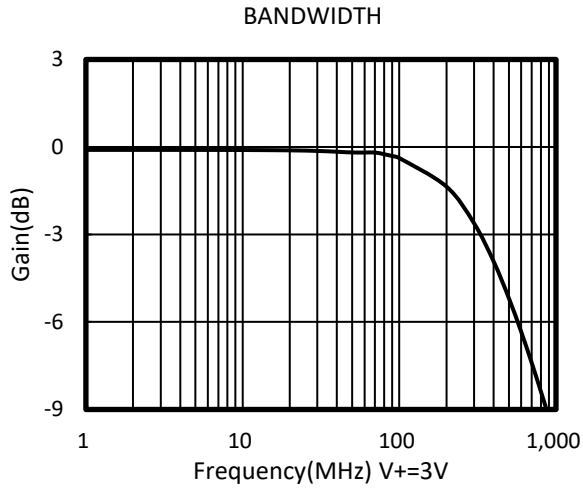
(1) All unused digital inputs of the device must be held at V_{IO} or GND to ensure proper device operation.

ELECTRICAL CHARACTERISTICS (continued)

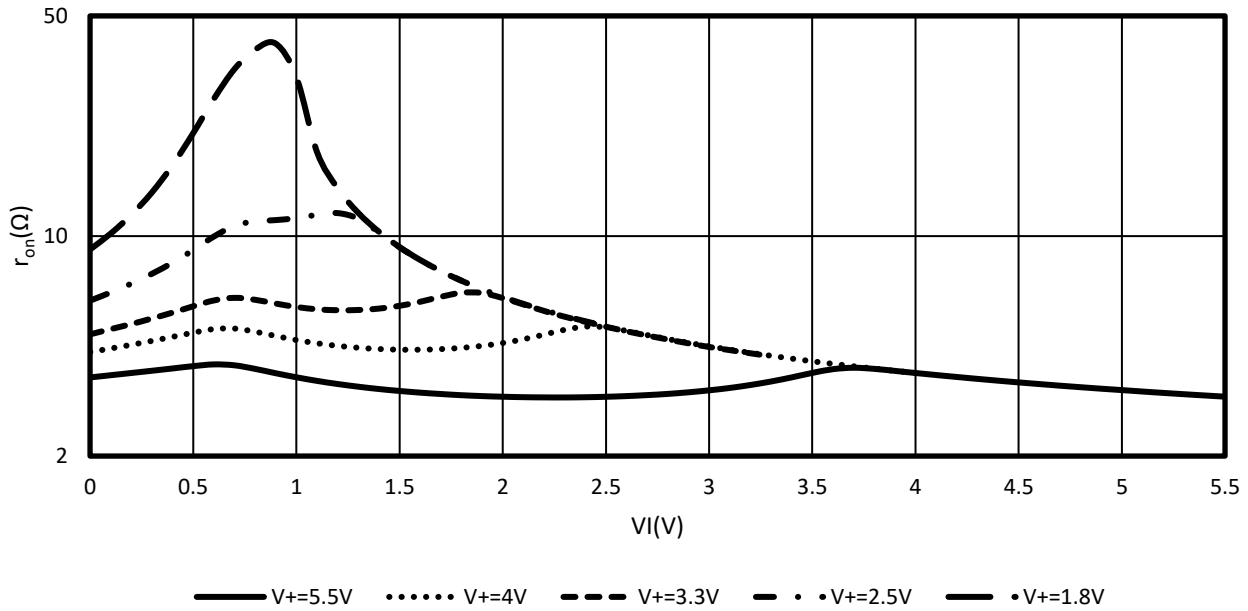
V+ = 5.0 V, TEMP= -40°C to 125°C (unless otherwise noted)

PARAMETER	SYMBOL	CONDITIONS	V+	TEMP	MIN	TYP	MAX	UNITS
DYNAMIC CHARACTERISTICS								
Turn-On Time	t _{ON}	V _{COM} = V+, R _L = 300Ω, C _L = 35pF, See Figure 5	5V	+25°C		30		ns
			3.3V			40		
Turn-Off Time	t _{OFF}	V _{COM} = V+, R _L = 300Ω, C _L = 35pF, See Figure 5	5V	+25°C		25		ns
			3.3V			30		
Break-Before-Make Time Delay	t _{BBM}	V _{NO1} = V _{NC1} = V _{NO2} = V _{NC2} = 3V, R _L = 300Ω, C _L = 35pF, See Figure 6	5V	+25°C		5		ns
			3.3V			8		
Off Isolation	O _{ISO}	R _L = 50Ω, Switch OFF, See Figure 8	f = 10MHz	+25°C		-52		dB
			f = 1MHz	+25°C		-71		dB
-3dB Bandwidth	BW	Switch ON, R _L = 50Ω See Figure 7		+25°C		300		MHz
NC,NO OFF Capacitance	C _{NC(OFF)} , C _{NO(OFF)}	V _{NC} or V _{NO} =V+/2 or GND, Switch OFF See Figure 4		+25°C		5		pF
NC,NO,COM ON Capacitance	C _{NC(ON)} , C _{NO(ON)} , C _{COM(ON)}	V _{NC} or V _{NO} =V+/2 or GND, Switch ON See Figure 4		+25°C		15		pF
POWER REQUIREMENTS								
Power Supply Range	V+			FULL	1.8		5.5	V
Power Supply Current	I+	V _{IN} = GND or V+	5.5V	FULL			1	μA

TYPICAL CHARACTERISTICS



Typical r_{on} as a Function of Input Voltage (V_I) for $V_I = 0$ to V_+



Parameter Measurement Information

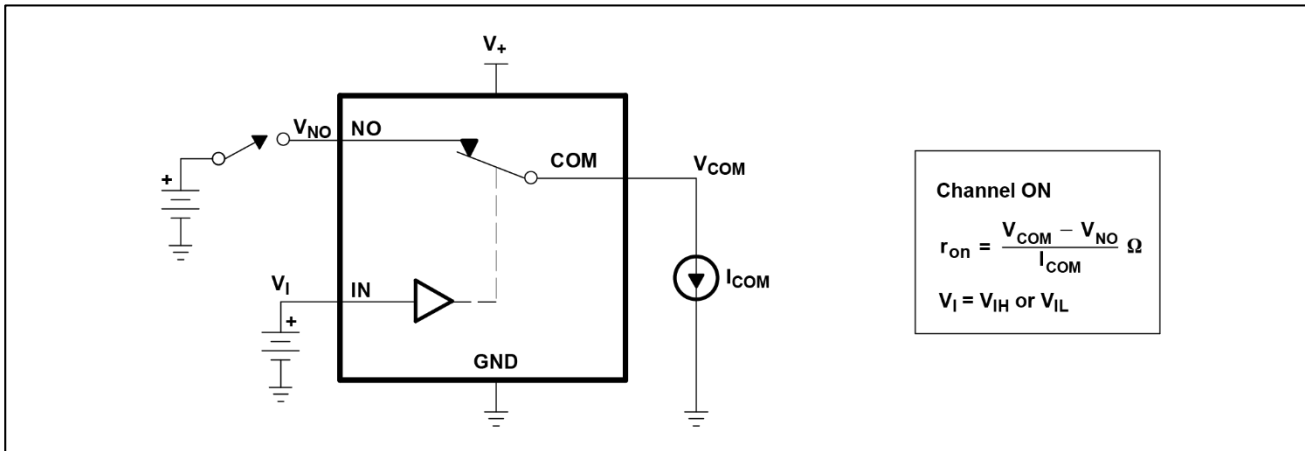


Figure 1.ON-State Resistance (r_{on})

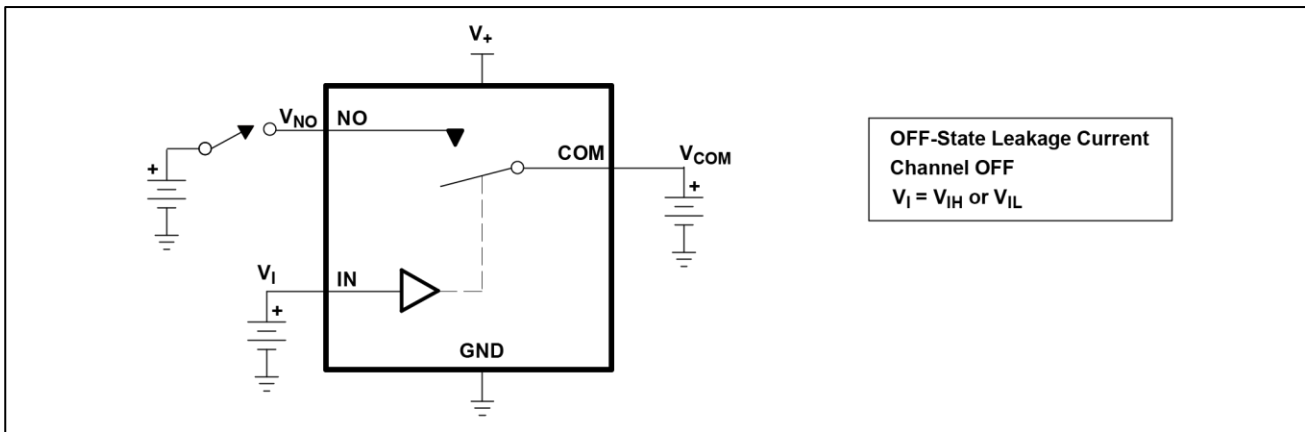


Figure 2.OFF-State Leakage Current ($I_{COM(OFF)}$, $I_{NO(OFF)}$)

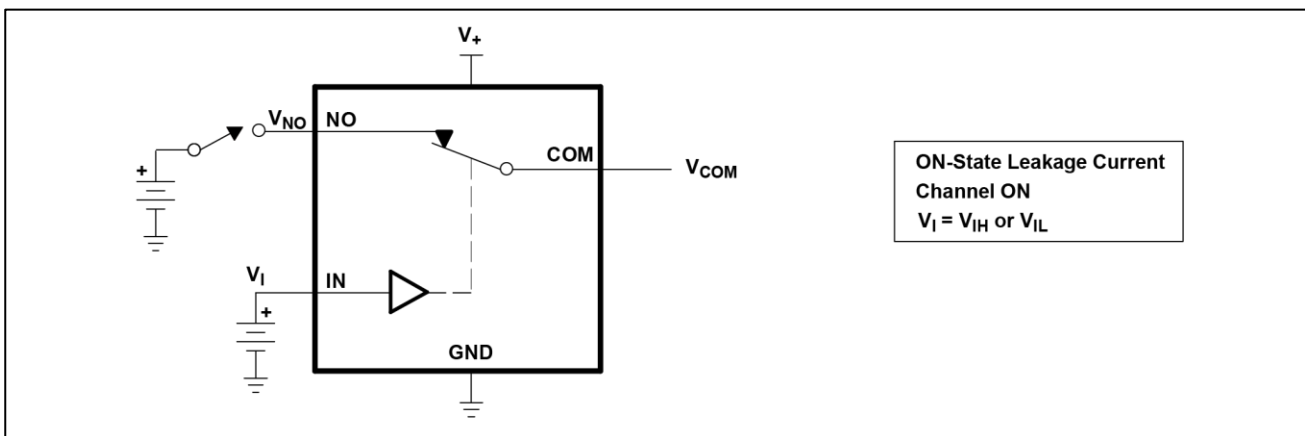


Figure 3.ON-State Leakage Current ($I_{COM(ON)}$, $I_{NO(ON)}$)

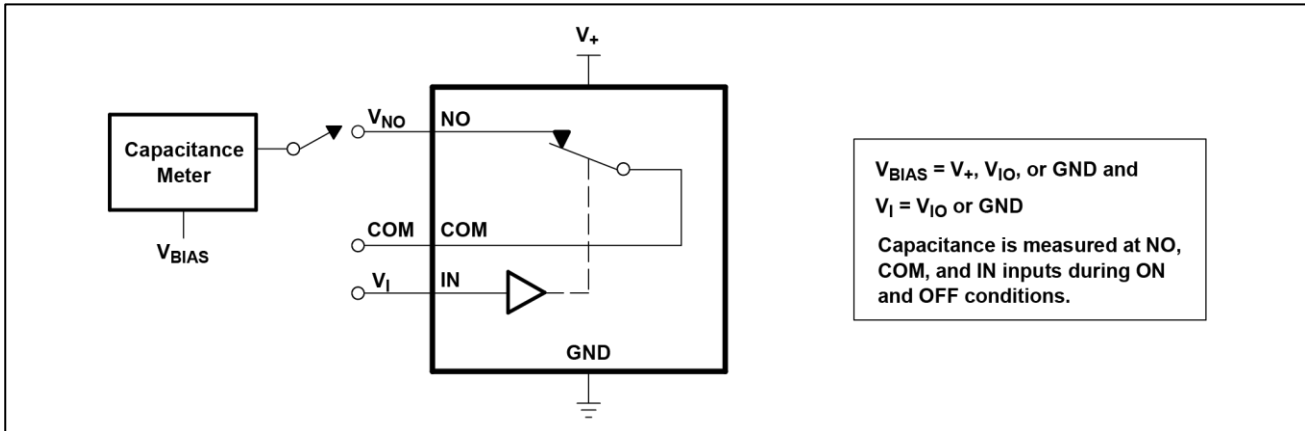


Figure 4. Capacitance (C_I , $C_{COM(OFF)}$, $C_{COM(ON)}$, $C_{NO(OFF)}$, $C_{NO(ON)}$)

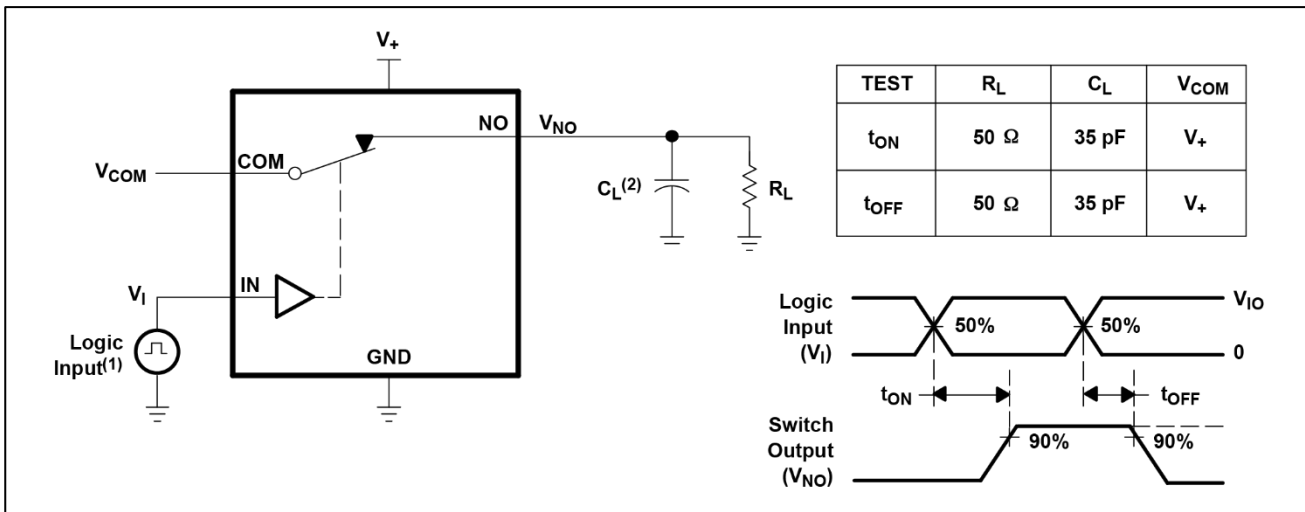


Figure 5. Turn-On (t_{ON}) and Turn-Off Time (t_{OFF})

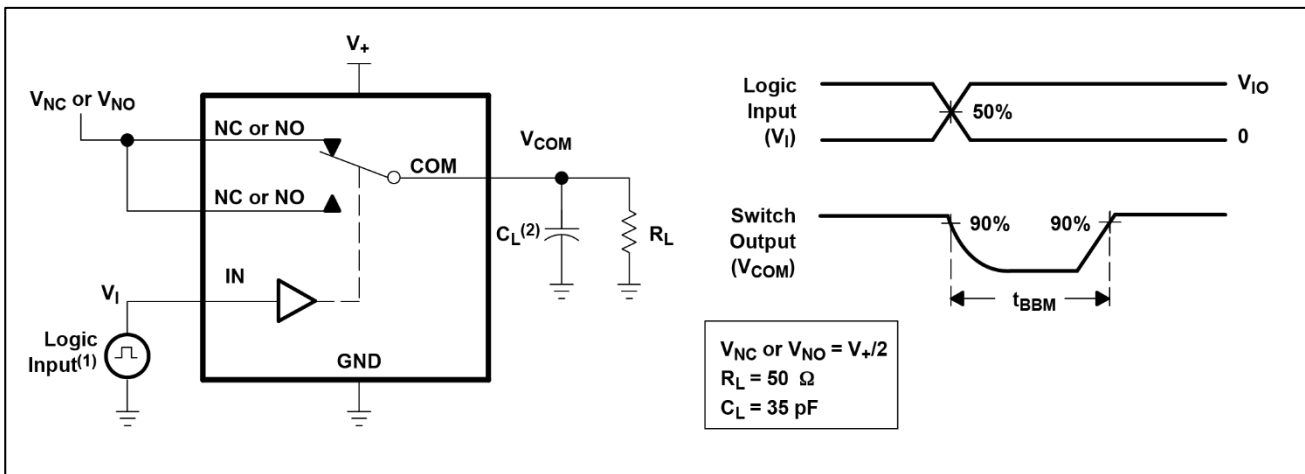


Figure 6. Break-Before-Make Time (t_{BBM})

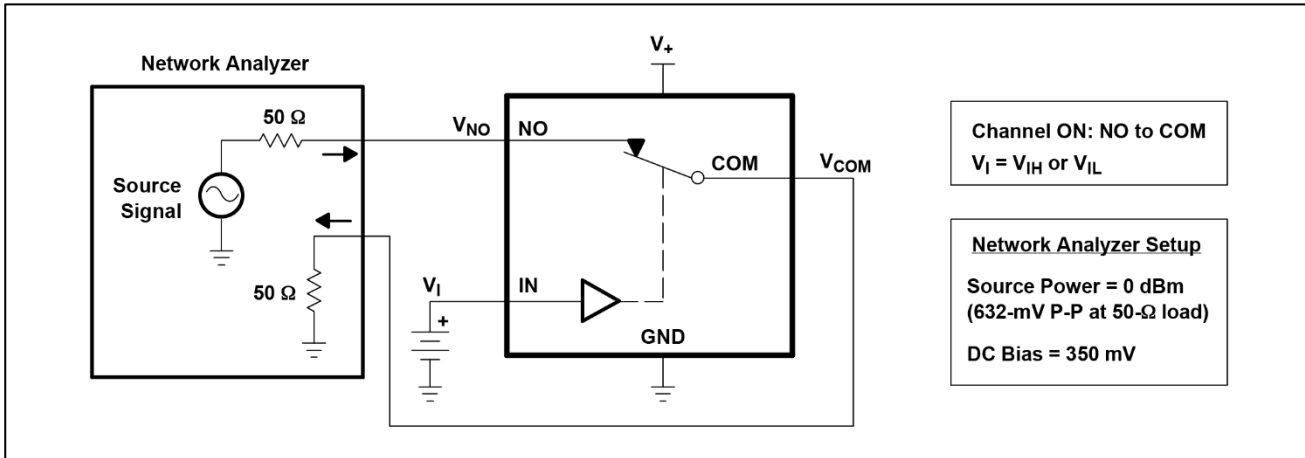


Figure 7. Bandwidth (BW)

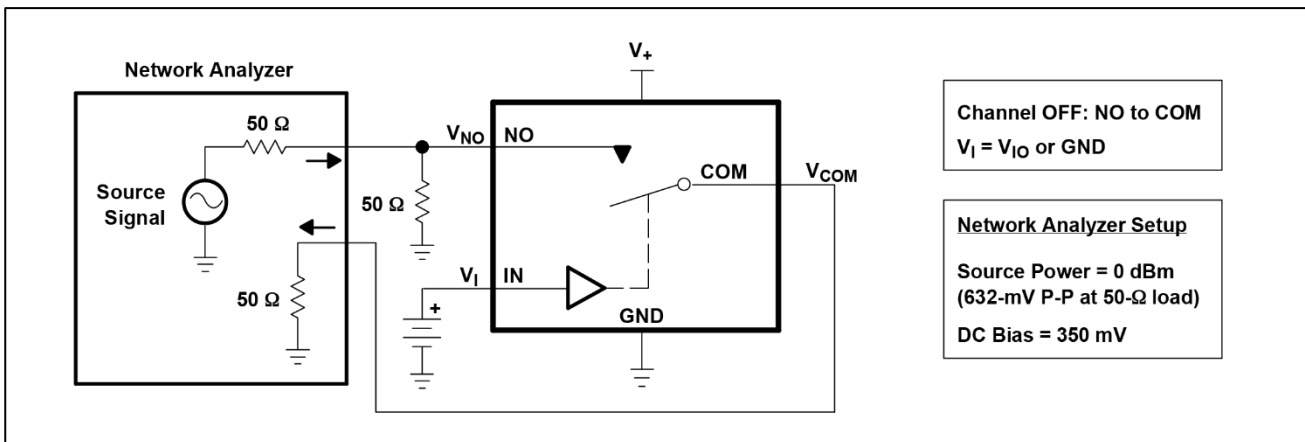


Figure 8. OFF Isolation (O_{iso})

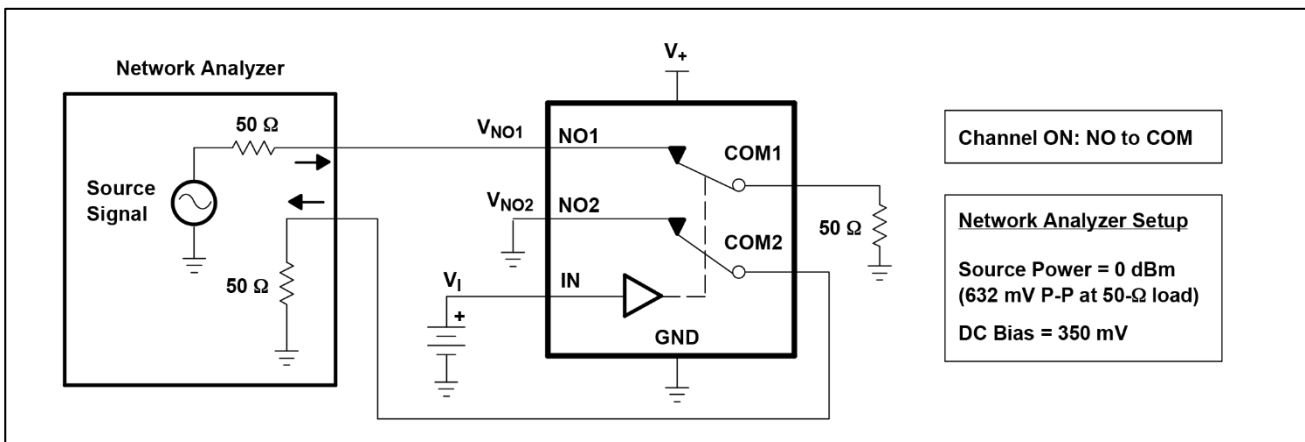


Figure 9. Crosstalk (X_{TALK})

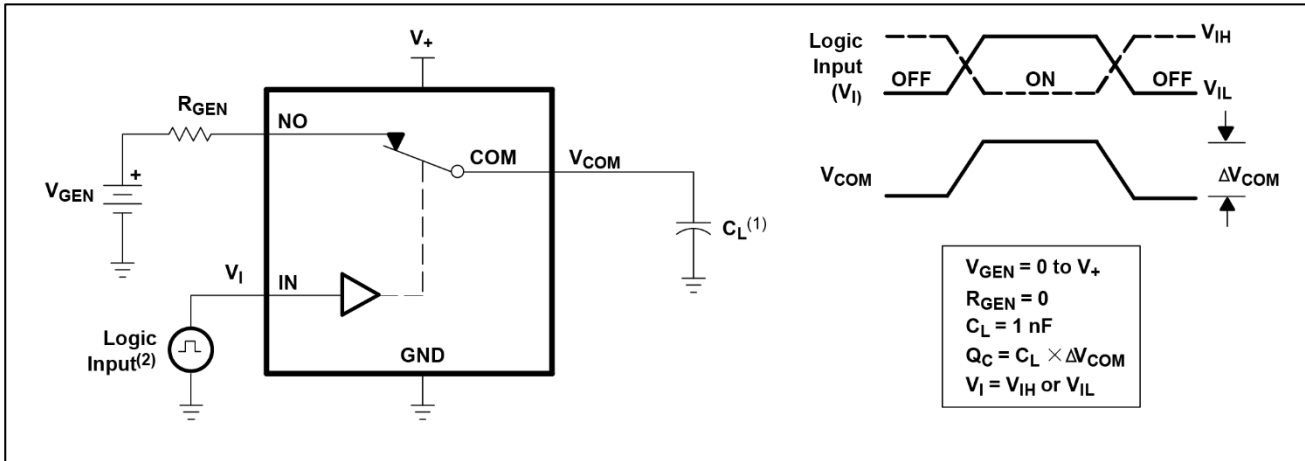


Figure 10. Charge Injection (Q_C)

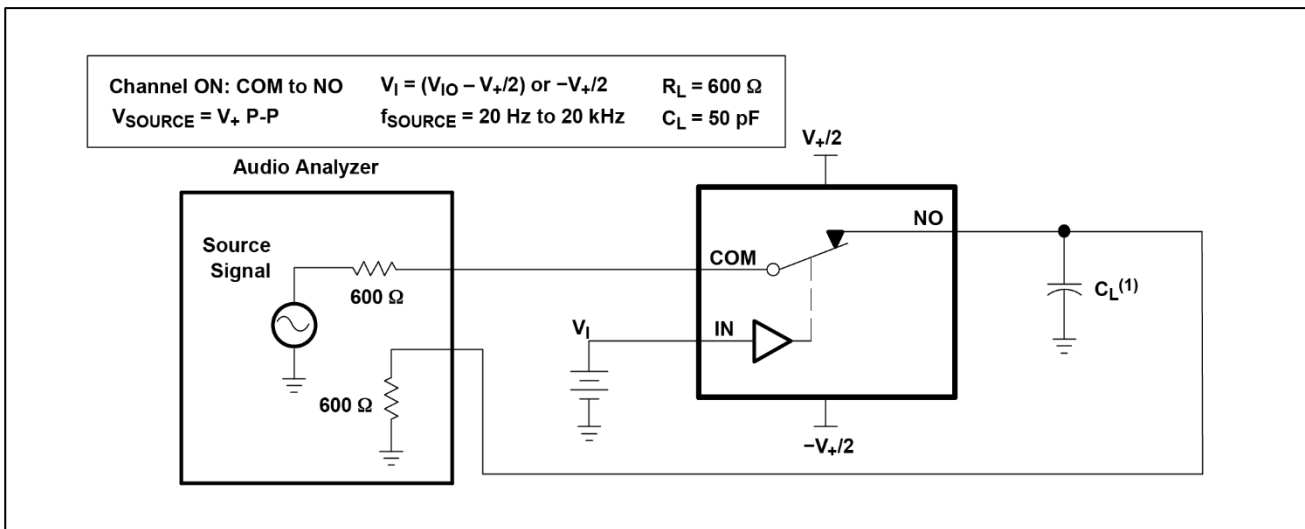
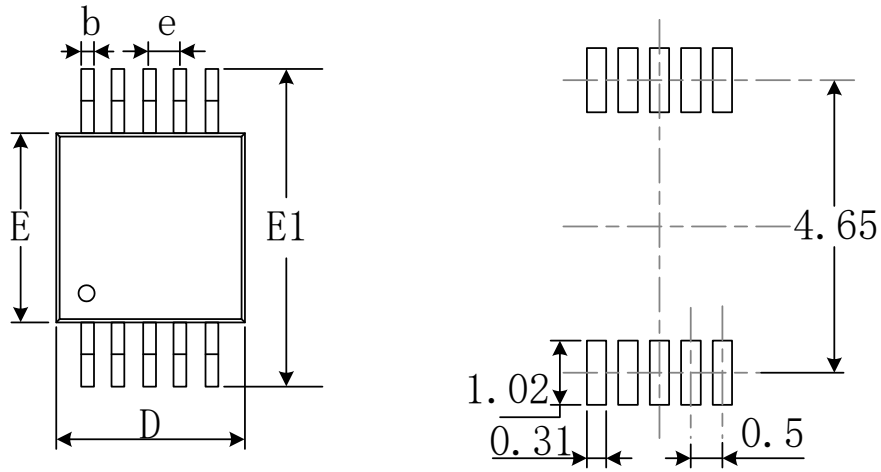
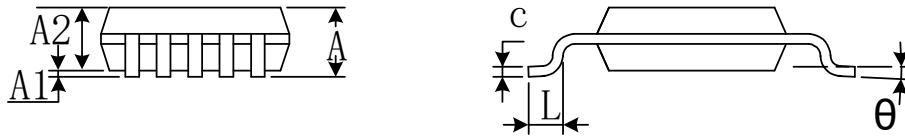


Figure 11. Total Harmonic Distortion (THD)

PACKAGE OUTLINE DIMENSIONS MSOP-10

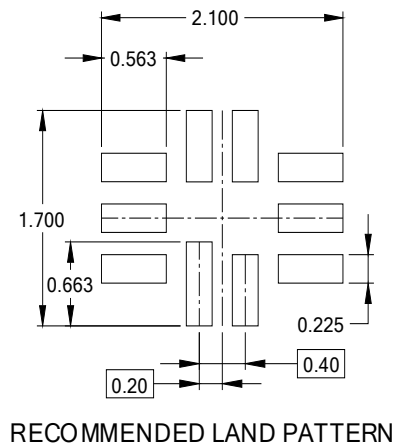
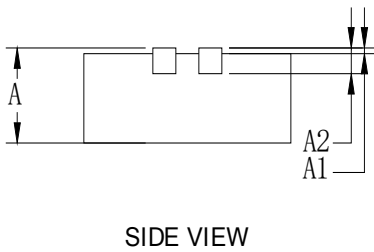
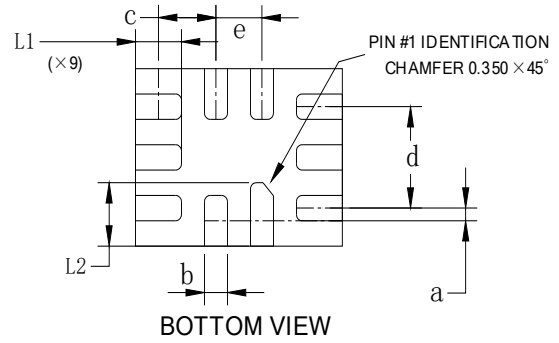
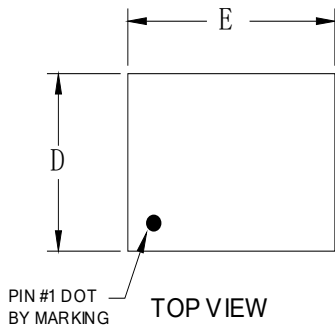


RECOMMENDED LAND PATTERN (Unit: mm)



Symbol	Dimensions In Millimeters		Dimensions In Inches	
	Min	Max	Min	Max
A	0.820	1.100	0.032	0.043
A1	0.020	0.150	0.001	0.006
A2	0.750	0.950	0.030	0.037
b	0.180	0.280	0.007	0.011
c	0.090	0.230	0.004	0.009
D	2.900	3.100	0.114	0.122
e	0.50(BSC)		0.020(BSC)	
E	2.900	3.100	0.114	0.122
E1	4.750	5.050	0.187	0.199
L	0.400	0.800	0.016	0.031
θ	0°	6°	0°	6°

QFN-1.4x1.8-10L



Symbol	Dimensions In Millimeters		Dimensions In Inches	
	Min	Max	Min	Max
A	0.500	0.600	0.020	0.024
A1	0.000	0.050	0.000	0.002
A2	0.203 REF		0.008 REF	
a	0.050	0.150	0.002	0.006
b	0.150	0.250	0.006	0.010
c	0.450	0.550	0.018	0.022
d	0.800 REF		0.031 REF	
D	1.350	1.450	0.053	0.057
E	1.750	1.850	0.069	0.073
e	0.400 TYP		0.016 TYP	
L1	0.350	0.450	0.014	0.018
L2	0.450	0.550	0.018	0.022