



Aluminum electrolytic capacitors

Snap-in capacitors

Series/Type: B43544

Date: December 2019

Long-life grade capacitors

Applications

- Servo drives
- Frequency converters
- Solar inverters
- Uninterruptible power supplies
- Professional power supplies
- Medical appliances
- Not for automotive applications unless otherwise specified



Features

- Very high ripple current capability
- Improved charge/discharge robustness
- Base cooling available upon request for case sizes with diameters of 30 to 35 mm and lengths of 35 to 55 mm
- Rated voltages up to 550 V DC
- Very high CV product, compact
- High reliability
- Extremely improved performance at high frequencies
- Very low ESR at operating conditions above 50 °C
- Optimized internal thermal resistance
- Capacitors with all insulation versions pass the needle flame test according to IEC 60695-11-5 for all flame exposure times up to 120 s
- RoHS-compatible

Construction

- Rapid charge/discharge-proof, polar
- Aluminum case, fully insulated with PET
- Version with PVC insulation and additional PET insulation cap on terminal side available for insulating the capacitor from the PCB
- Version with PVC insulation available upon request
- Snap-in solder pins to hold component in place on PC-board
- Minus pole marking on case surface
- Minus pole not insulated from case
- Overload protection by safety vent on the case wall

Terminals

- Standard version with 2 terminals,
2 lengths available: 6.3 and 4.5 mm
- 3 terminals to ensure correct insertion: length 4.5 mm


Specifications and characteristics in brief

| | | | |
|---|---|---|--|
| Rated voltage V_R Surge voltage V_S | 200 ... 550 V DC 1.15 · V_R (for $V_R \leq 250$ V DC) 1.10 · V_R (for $V_R \geq 400$ V DC) | | |
| Rated capacitance C_R Capacitance tolerance | 47 ... 2700 μ F $\pm 20\% \triangleq M$ | | |
| Dissipation factor $\tan \delta$ (20 °C, 120 Hz) | $V_R \leq 400$ V DC: $\tan \delta \leq 0.15$ $V_R \geq 450$ V DC: $\tan \delta \leq 0.20$ | | |
| Leakage current I_{leak} (5 min, 20 °C) | $I_{leak} \leq 0.3 \mu A \cdot \left(\frac{C_R}{\mu F} \cdot \frac{V_R}{V} \right)^{0.7} + 4 \mu A$ | | |
| Self-inductance ESL | Approx. 20 nH | | |
| Useful life ¹⁾ 105 °C; V_R ; $I_{AC,R}$ | > 3000 h | Requirements: $ \Delta C/C \leq 20\%$ of initial value $\tan \delta \leq 2$ times initial specified limit $I_{leak} \leq$ initial specified limit | |
| Voltage endurance test 105 °C; V_R | 2000 h | Post test requirements: $ \Delta C/C \leq 10\%$ of initial value $\tan \delta \leq 1.3$ times initial specified limit $I_{leak} \leq$ initial specified limit | |
| Rapid charge/discharge ≤ 35 °C; $\Delta V \leq 150$ V; 6 Hz | > 50 million cycles | Requirements: $ \Delta C/C \leq 20\%$ of initial value $\tan \delta \leq 2$ times initial specified limit $I_{leak} \leq$ initial specified limit | |
| | $V_R = 400 \dots 450$ V; $l \leq 55$ mm | | |
| Vibration resistance test | To IEC 60068-2-6, test Fc: Frequency range 10 Hz ... 55 Hz, displacement amplitude 0.35 mm, acceleration max. 5 g, duration 3 × 2 h. Capacitor mounted by its body which is rigidly clamped to the work surface. | | |
| Characteristics at low temperature | Max. impedance ratio at 100 Hz | V_R | ≤ 400 V 450 V 500 ... 550 V |
| | | $Z_{-25\text{ °C}} / Z_{20\text{ °C}}$ | 3 5 7 |
| | | $Z_{-40\text{ °C}} / Z_{20\text{ °C}}$ | 7 14 14 |
| IEC climatic category | To IEC 60068-1: $V_R \leq 400$ V DC: 40/105/56 (–40 °C/+105 °C/56 days damp heat test) $V_R \geq 450$ V DC: 25/105/56 (–25 °C/+105 °C/56 days damp heat test) The capacitors can be operated in the temperature range of –40 °C to +105 °C but the impedance at –40 °C must be taken into consideration. | | |
| Sectional specification | IEC 60384-4 | | |

1) Refer to chapter "General technical information, 5 Useful life" on how to interpret useful life.

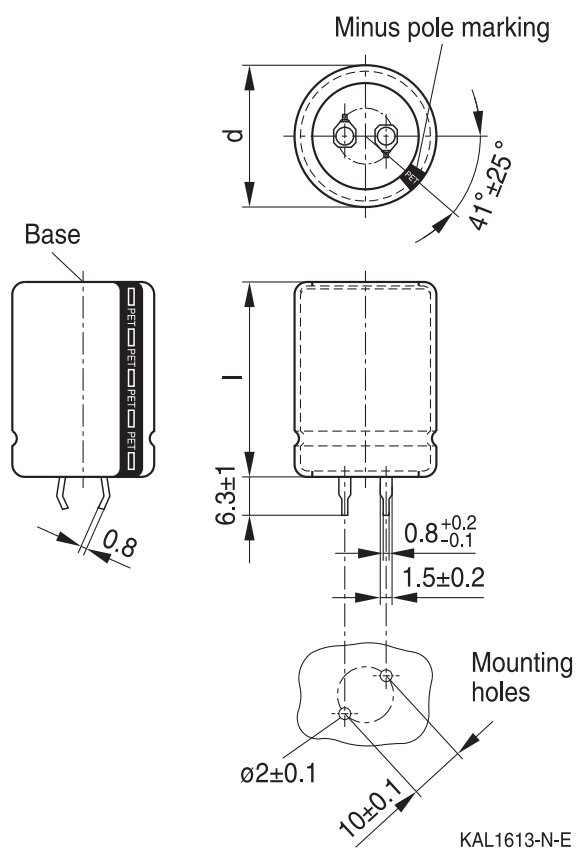


B43544

Very high ripple current, high voltage – 105 °C

Dimensional drawings

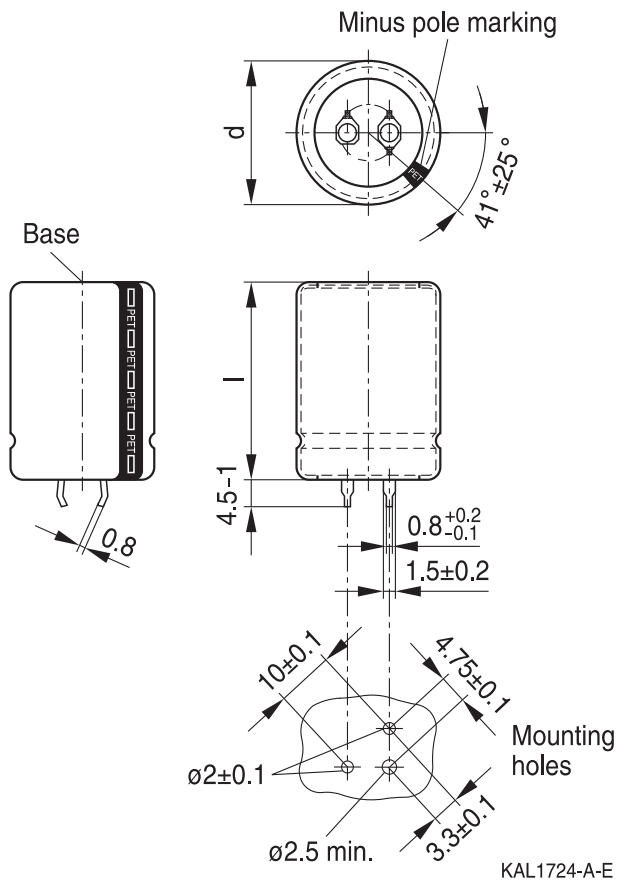
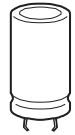
Snap-in capacitors with standard insulation (PET)



| Dimensions (mm) | | Approx. weight (g) | Packing units (pcs.) |
|-----------------|------|--------------------|----------------------|
| d +1 | l ±2 | | |
| 25 | 25 | 13 | 130 |
| 25 | 30 | 17 | 130 |
| 25 | 35 | 19 | 130 |
| 25 | 40 | 22 | 130 |
| 25 | 45 | 25 | 130 |
| 25 | 50 | 29 | 130 |
| 25 | 55 | 32 | 130 |

Snap-in terminals, length (6.3 ± 1) mm.
 Also available in a shorter version with a length of $(4.5 - 1)$ mm.

Insulation is marked with "PET" on the sleeve.
 Safety vent on the case wall.



Snap-in capacitors are also available with 3 terminals (length (4.5 – 1) mm). Insulation is marked with "PET" on the sleeve. Safety vent on the case wall.

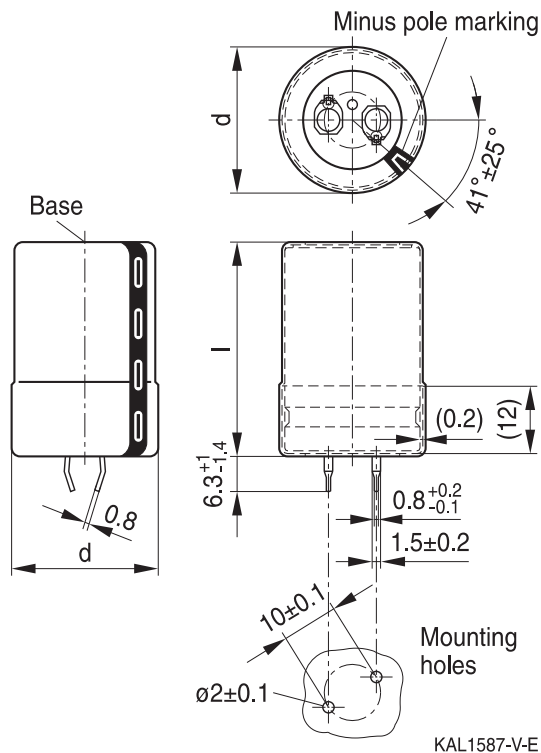
| Dimensions (mm) | | Approx. weight (g) | Packing units (pcs.) |
|-----------------|------|--------------------|----------------------|
| d +1 | l ±2 | | |
| 30 | 25 | 17 | 80 |
| 30 | 30 | 23 | 80 |
| 30 | 35 | 29 | 80 |
| 30 | 40 | 36 | 80 |
| 30 | 45 | 41 | 80 |
| 30 | 50 | 46 | 80 |
| 30 | 55 | 53 | 80 |
| 30 | 60 | 58 | 60 |
| 30 | 65 | 64 | 60 |
| 30 | 70 | 69 | 60 |
| 30 | 75 | 74 | 60 |
| 30 | 80 | 80 | 60 |
| 35 | 25 | 22 | 60 |
| 35 | 30 | 29 | 60 |
| 35 | 35 | 36 | 60 |
| 35 | 40 | 41 | 60 |
| 35 | 45 | 56 | 60 |
| 35 | 50 | 70 | 60 |
| 35 | 55 | 81 | 60 |
| 35 | 60 | 90 | 36 |
| 35 | 65 | 102 | 36 |
| 35 | 70 | 115 | 36 |
| 35 | 75 | 128 | 36 |
| 35 | 80 | 142 | 36 |



B43544

Very high ripple current, high voltage – 105 °C

Snap-in capacitors with PVC insulation and PET insulation cap on terminal side



KAL1587-V-E



KAL1721-K-E

Snap-in terminals, length (6.3 +1/-1.4) mm. Also available in a shorter version with a length of (4.5 -1.4) mm. PET insulation cap is positioned under the insulation sleeve. Safety vent on the case wall.

| Dimensions (mm) | | Approx. weight (g) | Packing units (pcs.) |
|-----------------|-----------|--------------------|----------------------|
| d +1.4 | l +2.2/-2 | | |
| 25 | 25 | 13 | 115 |
| 25 | 30 | 17 | 115 |
| 25 | 35 | 19 | 115 |
| 25 | 40 | 22 | 115 |
| 25 | 45 | 25 | 115 |
| 25 | 50 | 29 | 115 |
| 25 | 55 | 32 | 115 |

Snap-in capacitors are also available with 3 terminals (length (4.5 -1.4) mm). PET insulation cap is positioned under the insulation sleeve. Safety vent on the case wall.

| Dimensions (mm) | | Approx. weight (g) | Packing units (pcs.) |
|-----------------|-----------|--------------------|----------------------|
| d +1.4 | l +2.2/-2 | | |
| 30 | 25 | 17 | 80 |
| 30 | 30 | 23 | 80 |
| 30 | 35 | 29 | 80 |
| 30 | 40 | 36 | 80 |
| 30 | 45 | 41 | 80 |
| 30 | 50 | 46 | 80 |
| 30 | 55 | 53 | 80 |
| 35 | 25 | 22 | 60 |
| 35 | 30 | 29 | 60 |
| 35 | 35 | 36 | 60 |
| 35 | 40 | 41 | 60 |
| 35 | 45 | 56 | 60 |
| 35 | 50 | 70 | 60 |
| 35 | 55 | 81 | 60 |



Packing of snap-in capacitors



For ecological reasons the packing is pure cardboard.

Ordering codes for terminal styles and insulation features

Identification in 3rd block of ordering code

Snap-in capacitors

| Terminal version | Insulation version | |
|---------------------------|--------------------|------------------|
| | PET | PVC plus PET cap |
| Standard terminals 6.3 mm | M060 | M080 |
| Short terminals 4.5 mm | M067 | M087 |
| 3 terminals 4.5 mm | M062 | M082 |

Ordering examples:

- B43544E5107M067 } snap-in capacitor with short terminals and PET insulation
- B43544E5107M062 } snap-in capacitor with 3 terminals and PET insulation
- B43544E5107M080 } snap-in capacitor with standard terminals and PVC insulation with additional PET insulation cap on terminal side



B43544

Very high ripple current, high voltage – 105 °C

Overview of available types

The capacitance and voltage ratings listed below are available in different case sizes upon request. Other voltage and capacitance ratings are also available upon request.

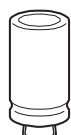
| V_R (V DC) | 200 | 250 | 400 | 450 | 500 | 550 |
|------------------|-----------------------------------|--------------------|-------------------------------|-------------------------------|-------------------------------|-------------------------------|
| | Case dimensions $d \times l$ (mm) | | | | | |
| C_R (μ F) | | | | | | |
| 47 | | | | | | 25 × 25 |
| 56 | | | | | | 25 × 30 |
| 68 | | | | | 25 × 25 | 25 × 35 30 × 25 |
| 82 | | | | 25 × 25 | 25 × 30 | 25 × 35 30 × 30 |
| 100 | | | | 25 × 30 | 25 × 35 30 × 25 | 25 × 40 30 × 35 35 × 25 |
| 120 | | | 25 × 25 | 25 × 30 30 × 25 | 25 × 35 30 × 30 | 25 × 50 30 × 35 35 × 30 |
| 150 | | | 25 × 30 | 25 × 35 30 × 30 | 25 × 45 30 × 35 35 × 25 | 25 × 55 30 × 45 35 × 35 |
| 180 | | | 25 × 35 30 × 25 | 25 × 40 30 × 30 35 × 25 | 25 × 50 30 × 35 35 × 30 | 30 × 50 35 × 40 |
| 220 | | | 25 × 35 30 × 30 | 25 × 45 30 × 35 35 × 30 | 25 × 55 30 × 40 35 × 35 | 30 × 55 35 × 45 |
| 270 | | | 25 × 45 30 × 35 35 × 25 | 25 × 50 30 × 40 35 × 30 | 30 × 50 35 × 40 | 35 × 50 |
| 330 | | 25 × 25 | 25 × 50 30 × 35 35 × 30 | 30 × 45 35 × 35 | 30 × 55 35 × 45 | |
| 390 | 25 × 25 | 25 × 30 | 25 × 55 30 × 40 35 × 35 | 30 × 50 35 × 40 | 35 × 50 | |
| 470 | 25 × 30 | 25 × 30 30 × 25 | 30 × 45 35 × 35 | 30 × 60 35 × 45 | 35 × 55 | |
| 560 | 25 × 30 | 25 × 35 30 × 30 | 30 × 55 35 × 40 | 30 × 70 35 × 50 | | |



Overview of available types

The capacitance and voltage ratings listed below are available in different case sizes upon request. Other voltage and capacitance ratings are also available upon request.

| V_R (V DC) | 200 | 250 | 400 | 450 | 500 | 550 |
|------------------|-----------------------------------|-------------------------------|--------------------|---------|-----|-----|
| | Case dimensions $d \times l$ (mm) | | | | | |
| C_R (μ F) | | | | | | |
| 680 | 25 × 35 30 × 25 | 25 × 40 30 × 30 35 × 25 | 30 × 70 35 × 50 | 35 × 65 | | |
| 820 | 25 × 40 30 × 30 35 × 25 | 25 × 45 30 × 35 35 × 30 | 30 × 80 35 × 55 | 35 × 75 | | |
| 1000 | 25 × 45 30 × 35 35 × 30 | 25 × 55 30 × 40 35 × 30 | 35 × 70 | | | |
| 1200 | 25 × 50 30 × 40 35 × 30 | 30 × 45 35 × 35 | 35 × 80 | | | |
| 1500 | 30 × 45 35 × 35 | 30 × 55 35 × 40 | | | | |
| 1800 | 30 × 50 35 × 40 | 35 × 50 | | | | |
| 2200 | 30 × 55 35 × 45 | 35 × 55 | | | | |
| 2700 | 35 × 50 | | | | | |



B43544

Very high ripple current, high voltage – 105 °C

Technical data and ordering codes

| C_R 100 Hz 20 °C μF | Case dimensions $d \times l$ mm | ESR_{typ} 100 Hz 20 °C $\text{m}\Omega$ | ESR_{typ} 300 Hz 60 °C $\text{m}\Omega$ | Z_{max} 10 kHz 20 °C $\text{m}\Omega$ | $I_{\text{AC,max}}$ 100 Hz 60 °C A | $I_{\text{AC,max}}$ 100 Hz 85 °C A | $I_{\text{AC,R}}$ 100 Hz 105 °C A | Ordering code (composition see below) |
|---|--|--|--|---|---|---|--|---|
| $V_R = 200 \text{ V DC}$ | | | | | | | | |
| 390 | 25 × 25 | 220 | 80 | 320 | 3.42 | 2.52 | 1.31 | B43544A2397M0*# |
| 470 | 25 × 30 | 180 | 65 | 260 | 3.96 | 2.92 | 1.52 | B43544A2477M0*# |
| 560 | 25 × 30 | 160 | 60 | 230 | 4.30 | 3.17 | 1.64 | B43544A2567M0*# |
| 680 | 25 × 35 | 130 | 50 | 190 | 4.96 | 3.66 | 1.90 | B43544A2687M0*# |
| 680 | 30 × 25 | 120 | 45 | 180 | 5.35 | 3.94 | 2.04 | B43544B2687M0*# |
| 820 | 25 × 40 | 110 | 40 | 160 | 5.67 | 4.19 | 2.17 | B43544A2827M0*# |
| 820 | 30 × 30 | 100 | 34 | 150 | 6.15 | 4.53 | 2.35 | B43544B2827M0*# |
| 820 | 35 × 25 | 110 | 40 | 160 | 6.13 | 4.52 | 2.34 | B43544C2827M0*# |
| 1000 | 25 × 45 | 90 | 34 | 130 | 6.50 | 4.80 | 2.49 | B43544A2108M0*# |
| 1000 | 30 × 35 | 85 | 28 | 120 | 7.07 | 5.21 | 2.71 | B43544B2108M0*# |
| 1000 | 35 × 30 | 85 | 32 | 130 | 7.12 | 5.25 | 2.88 | B43544C2108M0*# |
| 1200 | 25 × 50 | 75 | 30 | 110 | 7.37 | 5.45 | 2.82 | B43544A2128M0*# |
| 1200 | 30 × 40 | 70 | 24 | 100 | 8.05 | 5.93 | 3.26 | B43544B2128M0*# |
| 1200 | 35 × 30 | 75 | 30 | 110 | 7.67 | 5.66 | 3.09 | B43544C2128M0*# |
| 1500 | 30 × 45 | 55 | 20 | 80 | 9.36 | 6.90 | 3.78 | B43544A2158M0*# |
| 1500 | 35 × 35 | 60 | 24 | 90 | 8.91 | 6.58 | 3.60 | B43544B2158M0*# |
| 1800 | 30 × 50 | 45 | 17 | 70 | 10.6 | 7.84 | 4.30 | B43544A2188M0*# |
| 1800 | 35 × 40 | 50 | 20 | 75 | 10.1 | 7.46 | 4.08 | B43544B2188M0*# |
| 2200 | 30 × 55 | 40 | 15 | 60 | 12.2 | 9.01 | 4.93 | B43544A2228M0*# |
| 2200 | 35 × 45 | 40 | 17 | 60 | 11.5 | 8.49 | 4.64 | B43544B2228M0*# |
| 2700 | 35 × 50 | 34 | 15 | 55 | 13.1 | 9.68 | 5.29 | B43544A2278M0*# |

Composition of ordering code

* = Insulation feature

6 = PET insulation

8 = PVC insulation with additional PET insulation
cap on terminal side

= Terminal style

0 = snap-in standard terminals (6.3 mm)

2 = snap-in 3 terminals (4.5 mm)

7 = snap-in short terminals (4.5 mm)


Technical data and ordering codes

| C_R 100 Hz 20 °C μF | Case dimensions $d \times l$ mm | ESR_{typ} 100 Hz 20 °C $\text{m}\Omega$ | ESR_{typ} 300 Hz 60 °C $\text{m}\Omega$ | Z_{max} 10 kHz 20 °C $\text{m}\Omega$ | $I_{\text{AC,max}}$ 100 Hz 60 °C A | $I_{\text{AC,max}}$ 100 Hz 85 °C A | $I_{\text{AC,R}}$ 100 Hz 105 °C A | Ordering code (composition see below) |
|--|--|--|--|---|---|---|--|---|
| $V_R = 250 \text{ V DC}$ | | | | | | | | |
| 330 | 25 × 25 | 220 | 85 | 310 | 3.29 | 2.43 | 1.26 | B43544E2337M0*# |
| 390 | 25 × 30 | 180 | 65 | 260 | 3.76 | 2.78 | 1.44 | B43544E2397M0*# |
| 470 | 25 × 30 | 160 | 60 | 220 | 4.12 | 3.04 | 1.57 | B43544E2477M0*# |
| 470 | 30 × 25 | 150 | 50 | 210 | 4.62 | 3.41 | 1.76 | B43544F2477M0*# |
| 560 | 25 × 35 | 130 | 50 | 190 | 4.72 | 3.49 | 1.80 | B43544E2567M0*# |
| 560 | 30 × 30 | 120 | 40 | 170 | 5.25 | 3.88 | 2.01 | B43544F2567M0*# |
| 680 | 25 × 40 | 110 | 40 | 150 | 5.42 | 4.01 | 2.07 | B43544E2687M0*# |
| 680 | 30 × 30 | 100 | 36 | 150 | 5.84 | 4.31 | 2.23 | B43544F2687M0*# |
| 680 | 35 × 25 | 110 | 40 | 150 | 5.81 | 4.29 | 2.22 | B43544G2687M0*# |
| 820 | 25 × 45 | 90 | 36 | 130 | 6.19 | 4.58 | 2.37 | B43544E2827M0*# |
| 820 | 30 × 35 | 85 | 30 | 120 | 6.67 | 4.93 | 2.55 | B43544F2827M0*# |
| 820 | 35 × 30 | 90 | 32 | 130 | 6.72 | 4.97 | 2.71 | B43544G2827M0*# |
| 1000 | 25 × 55 | 75 | 28 | 110 | 7.30 | 5.40 | 2.80 | B43544E2108M0*# |
| 1000 | 30 × 40 | 70 | 24 | 100 | 7.69 | 5.68 | 3.11 | B43544F2108M0*# |
| 1000 | 35 × 30 | 75 | 30 | 110 | 7.33 | 5.41 | 2.95 | B43544G2108M0*# |
| 1200 | 30 × 45 | 60 | 20 | 85 | 8.74 | 6.46 | 3.53 | B43544E2128M0*# |
| 1200 | 35 × 35 | 65 | 24 | 90 | 8.37 | 6.19 | 3.38 | B43544F2128M0*# |
| 1500 | 30 × 55 | 45 | 17 | 65 | 10.3 | 7.67 | 4.20 | B43544E2158M0*# |
| 1500 | 35 × 40 | 50 | 20 | 75 | 9.68 | 7.15 | 3.90 | B43544F2158M0*# |
| 1800 | 35 × 50 | 40 | 16 | 60 | 11.2 | 8.34 | 4.56 | B43544E2188M0*# |
| 2200 | 35 × 55 | 34 | 14 | 50 | 12.8 | 9.50 | 5.19 | B43544E2228M0*# |

Composition of ordering code

* = Insulation feature

6 = PET insulation

8 = PVC insulation with additional PET insulation
cap on terminal side

= Terminal style

0 = snap-in standard terminals (6.3 mm)

2 = snap-in 3 terminals (4.5 mm)

7 = snap-in short terminals (4.5 mm)



B43544

Very high ripple current, high voltage – 105 °C

Technical data and ordering codes

| C_R 100 Hz 20 °C μF | Case dimensions $d \times l$ mm | ESR_{typ} 100 Hz 20 °C m Ω | ESR_{typ} 300 Hz 60 °C m Ω | Z_{max} 10 kHz 20 °C m Ω | $I_{\text{AC,max}}$ 100 Hz 60 °C A | $I_{\text{AC,max}}$ 100 Hz 85 °C A | $I_{\text{AC,R}}$ 100 Hz 105 °C A | Ordering code (composition see below) |
|--|--|--|--|---|---|---|--|---|
| $V_R = 400 \text{ V DC}$ | | | | | | | | |
| 120 | 25 × 25 | 580 | 180 | 820 | 2.31 | 1.77 | 1.01 | B43544E9127M0*# |
| 150 | 25 × 30 | 460 | 140 | 650 | 2.70 | 2.08 | 1.18 | B43544E9157M0*# |
| 180 | 25 × 35 | 380 | 110 | 540 | 3.07 | 2.36 | 1.35 | B43544E9187M0*# |
| 180 | 30 × 25 | 380 | 110 | 540 | 3.24 | 2.48 | 1.41 | B43544F9187M0*# |
| 220 | 25 × 35 | 320 | 100 | 450 | 3.48 | 2.67 | 1.52 | B43544E9227M0*# |
| 220 | 30 × 30 | 310 | 90 | 440 | 3.71 | 2.85 | 1.62 | B43544F9227M0*# |
| 270 | 25 × 45 | 260 | 75 | 370 | 4.11 | 3.16 | 1.80 | B43544E9277M0*# |
| 270 | 30 × 35 | 250 | 75 | 360 | 4.27 | 3.28 | 1.87 | B43544F9277M0*# |
| 270 | 35 × 25 | 250 | 75 | 360 | 4.43 | 3.40 | 1.93 | B43544G9277M0*# |
| 330 | 25 × 50 | 210 | 65 | 300 | 4.74 | 3.64 | 2.08 | B43544E9337M0*# |
| 330 | 30 × 35 | 210 | 60 | 300 | 4.84 | 3.71 | 2.11 | B43544F9337M0*# |
| 330 | 35 × 30 | 210 | 60 | 300 | 5.09 | 3.90 | 2.32 | B43544G9337M0*# |
| 390 | 25 × 55 | 180 | 55 | 260 | 5.38 | 4.13 | 2.36 | B43544E9397M0*# |
| 390 | 30 × 40 | 180 | 50 | 250 | 5.46 | 4.19 | 2.50 | B43544F9397M0*# |
| 390 | 35 × 35 | 170 | 50 | 250 | 5.69 | 4.37 | 2.60 | B43544G9397M0*# |
| 470 | 30 × 45 | 150 | 45 | 210 | 6.25 | 4.80 | 2.86 | B43544E9477M0*# |
| 470 | 35 × 35 | 140 | 45 | 210 | 6.40 | 4.91 | 2.92 | B43544F9477M0*# |
| 560 | 30 × 55 | 120 | 36 | 180 | 7.16 | 5.50 | 3.28 | B43544E9567M0*# |
| 560 | 35 × 40 | 120 | 36 | 180 | 7.23 | 5.55 | 3.30 | B43544F9567M0*# |
| 680 | 30 × 70 | 95 | 28 | 140 | 8.22 | 6.11 | 3.34 | B43544F9687M0*# |
| 680 | 35 × 50 | 100 | 30 | 150 | 8.35 | 6.41 | 3.82 | B43544E9687M0*# |
| 820 | 30 × 80 | 80 | 24 | 110 | 9.54 | 7.09 | 3.88 | B43544F9827M0*# |
| 820 | 35 × 55 | 85 | 24 | 120 | 9.55 | 7.33 | 4.37 | B43544E9827M0*# |
| 1000 | 35 × 70 | 65 | 20 | 100 | 10.6 | 7.91 | 4.33 | B43544E9108M0*# |
| 1200 | 35 × 80 | 55 | 18 | 80 | 12.2 | 9.10 | 4.98 | B43544E9128M0*# |

Composition of ordering code

* = Insulation feature

6 = PET insulation

8 = PVC insulation with additional PET insulation
cap on terminal side

= Terminal style

0 = snap-in standard terminals (6.3 mm)

2 = snap-in 3 terminals (4.5 mm)

7 = snap-in short terminals (4.5 mm)


Technical data and ordering codes

| C_R 100 Hz 20 °C μF | Case dimensions $d \times l$ mm | ESR_{typ} 100 Hz 20 °C $\text{m}\Omega$ | ESR_{typ} 300 Hz 60 °C $\text{m}\Omega$ | Z_{max} 10 kHz 20 °C $\text{m}\Omega$ | $I_{\text{AC,max}}$ 100 Hz 60 °C A | $I_{\text{AC,max}}$ 100 Hz 85 °C A | $I_{\text{AC,R}}$ 100 Hz 105 °C A | Ordering code (composition see below) |
|--|--|--|--|---|---|---|--|---|
| $V_R = 450 \text{ V DC}$ | | | | | | | | |
| 82 | 25 × 25 | 1230 | 310 | 1890 | 1.73 | 1.39 | 0.77 | B43544E5826M0*# |
| 100 | 25 × 30 | 1000 | 250 | 1550 | 2.08 | 1.60 | 0.89 | B43544E5107M0*# |
| 120 | 25 × 30 | 840 | 220 | 1300 | 2.33 | 1.79 | 0.99 | B43544E5127M0*# |
| 120 | 30 × 25 | 830 | 210 | 1280 | 2.49 | 1.91 | 1.06 | B43544F5127M0*# |
| 150 | 25 × 35 | 670 | 170 | 1040 | 2.72 | 2.09 | 1.16 | B43544E5157M0*# |
| 150 | 30 × 30 | 670 | 170 | 1030 | 2.88 | 2.22 | 1.23 | B43544F5157M0*# |
| 180 | 25 × 40 | 560 | 140 | 870 | 3.11 | 2.39 | 1.32 | B43544E5187M0*# |
| 180 | 30 × 30 | 560 | 140 | 860 | 3.23 | 2.48 | 1.37 | B43544F5187M0*# |
| 180 | 35 × 25 | 560 | 140 | 860 | 3.41 | 2.62 | 1.45 | B43544G5187M0*# |
| 220 | 25 × 45 | 460 | 120 | 710 | 3.59 | 2.76 | 1.53 | B43544E5227M0*# |
| 220 | 30 × 35 | 460 | 120 | 700 | 3.71 | 2.85 | 1.57 | B43544F5227M0*# |
| 220 | 35 × 30 | 460 | 110 | 700 | 3.90 | 2.99 | 1.71 | B43544G5227M0*# |
| 270 | 25 × 50 | 380 | 100 | 580 | 4.19 | 3.21 | 1.78 | B43544E5277M0*# |
| 270 | 30 × 40 | 370 | 95 | 570 | 4.28 | 3.28 | 1.87 | B43544F5277M0*# |
| 270 | 35 × 30 | 370 | 95 | 570 | 4.42 | 3.39 | 1.93 | B43544G5277M0*# |
| 330 | 30 × 45 | 300 | 75 | 470 | 4.93 | 3.78 | 2.16 | B43544E5337M0*# |
| 330 | 35 × 35 | 300 | 75 | 470 | 5.07 | 3.89 | 2.21 | B43544F5337M0*# |
| 390 | 30 × 50 | 260 | 65 | 400 | 5.57 | 4.28 | 2.44 | B43544E5397M0*# |
| 390 | 35 × 40 | 260 | 65 | 400 | 5.68 | 4.36 | 2.49 | B43544F5397M0*# |
| 470 | 30 × 60 | 200 | 50 | 310 | 6.24 | 4.63 | 2.53 | B43544F5477M0*# |
| 470 | 35 × 45 | 210 | 55 | 330 | 6.47 | 4.97 | 2.83 | B43544E5477M0*# |
| 560 | 30 × 70 | 170 | 45 | 260 | 7.16 | 5.32 | 2.91 | B43544F5567M0*# |
| 560 | 35 × 50 | 180 | 45 | 280 | 7.34 | 5.63 | 3.21 | B43544E5567M0*# |
| 680 | 35 × 65 | 140 | 38 | 220 | 8.10 | 6.02 | 3.29 | B43544E5687M0*# |
| 820 | 35 × 75 | 120 | 32 | 180 | 9.34 | 6.94 | 3.80 | B43544E5827M0*# |

Composition of ordering code

* = Insulation feature

6 = PET insulation

 8 = PVC insulation with additional PET insulation
cap on terminal side

= Terminal style

0 = snap-in standard terminals (6.3 mm)

2 = snap-in 3 terminals (4.5 mm)

7 = snap-in short terminals (4.5 mm)



B43544

Very high ripple current, high voltage – 105 °C

Technical data and ordering codes

| C_R 100 Hz 20 °C μF | Case dimensions $d \times l$ mm | ESR_{typ} 100 Hz 20 °C $\text{m}\Omega$ | ESR_{typ} 300 Hz 60 °C $\text{m}\Omega$ | Z_{max} 10 kHz 20 °C $\text{m}\Omega$ | $I_{\text{AC,max}}$ 100 Hz 60 °C A | $I_{\text{AC,max}}$ 100 Hz 85 °C A | $I_{\text{AC,R}}$ 100 Hz 105 °C A | Ordering code (composition see below) |
|--|--|--|--|---|---|---|--|---|
| $V_R = 500 \text{ V DC}$ | | | | | | | | |
| 68 | 25 × 25 | 1220 | 330 | 1810 | 1.43 | 1.23 | 0.59 | B43544B6686M0*# |
| 82 | 25 × 30 | 1010 | 280 | 1500 | 1.73 | 1.40 | 0.67 | B43544B6826M0*# |
| 100 | 25 × 35 | 830 | 230 | 1230 | 2.11 | 1.61 | 0.77 | B43544C6107M0*# |
| 100 | 30 × 25 | 830 | 220 | 1230 | 2.11 | 1.68 | 0.80 | B43544D6107M0*# |
| 120 | 25 × 35 | 690 | 190 | 1030 | 2.42 | 1.80 | 0.86 | B43544C6127M0*# |
| 120 | 30 × 30 | 690 | 190 | 1020 | 2.53 | 1.91 | 0.91 | B43544D6127M0*# |
| 150 | 25 × 45 | 550 | 150 | 820 | 2.87 | 2.14 | 1.02 | B43544A6157M0*# |
| 150 | 30 × 35 | 550 | 150 | 820 | 2.97 | 2.21 | 1.06 | B43544B6157M0*# |
| 150 | 35 × 25 | 560 | 150 | 830 | 3.07 | 2.28 | 1.09 | B43544C6157M0*# |
| 180 | 25 × 50 | 460 | 130 | 690 | 3.27 | 2.44 | 1.17 | B43544A6187M0*# |
| 180 | 30 × 35 | 460 | 120 | 680 | 3.35 | 2.49 | 1.19 | B43544B6187M0*# |
| 180 | 35 × 30 | 460 | 130 | 690 | 3.47 | 2.58 | 1.31 | B43544C6187M0*# |
| 220 | 25 × 55 | 380 | 110 | 570 | 3.80 | 2.83 | 1.36 | B43544A6227M0*# |
| 220 | 30 × 40 | 380 | 100 | 560 | 3.85 | 2.86 | 1.45 | B43544B6227M0*# |
| 220 | 35 × 35 | 380 | 100 | 560 | 3.97 | 2.95 | 1.50 | B43544C6227M0*# |
| 270 | 30 × 50 | 310 | 85 | 460 | 4.47 | 3.33 | 1.69 | B43544A6277M0*# |
| 270 | 35 × 40 | 310 | 85 | 460 | 4.54 | 3.38 | 1.72 | B43544B6277M0*# |
| 330 | 30 × 55 | 250 | 70 | 380 | 5.18 | 3.85 | 1.96 | B43544A6337M0*# |
| 330 | 35 × 45 | 250 | 70 | 380 | 5.20 | 3.87 | 1.96 | B43544B6337M0*# |
| 390 | 35 × 50 | 210 | 60 | 320 | 5.84 | 4.35 | 2.21 | B43544A6397M0*# |
| 470 | 35 × 55 | 180 | 50 | 270 | 6.66 | 4.96 | 2.52 | B43544A6477M0*# |

Composition of ordering code

* = Insulation feature

6 = PET insulation

8 = PVC insulation with additional PET insulation
cap on terminal side

= Terminal style

0 = snap-in standard terminals (6.3 mm)

2 = snap-in 3 terminals (4.5 mm)

7 = snap-in short terminals (4.5 mm)


Technical data and ordering codes

| C_R 100 Hz 20 °C μF | Case dimensions $d \times l$ mm | ESR_{typ} 100 Hz 20 °C $\text{m}\Omega$ | ESR_{typ} 300 Hz 60 °C $\text{m}\Omega$ | Z_{max} 10 kHz 20 °C $\text{m}\Omega$ | $I_{\text{AC,max}}$ 100 Hz 60 °C A | $I_{\text{AC,max}}$ 100 Hz 85 °C A | $I_{\text{AC,R}}$ 100 Hz 105 °C A | Ordering code (composition see below) |
|--|--|--|--|---|---|---|--|---|
| $V_R = 550 \text{ V DC}$ | | | | | | | | |
| 47 | 25 × 25 | 2470 | 600 | 3840 | 0.99 | 0.99 | 0.47 | B43544B7476M0*# |
| 56 | 25 × 30 | 2070 | 500 | 3220 | 1.18 | 1.12 | 0.54 | B43544B7566M0*# |
| 68 | 25 × 35 | 1700 | 410 | 2660 | 1.43 | 1.28 | 0.62 | B43544C7686M0*# |
| 68 | 30 × 25 | 1700 | 410 | 2660 | 1.43 | 1.35 | 0.65 | B43544D7686M0*# |
| 82 | 25 × 35 | 1420 | 340 | 2200 | 1.73 | 1.45 | 0.69 | B43544C7826M0*# |
| 82 | 30 × 30 | 1410 | 340 | 2200 | 1.73 | 1.53 | 0.73 | B43544D7826M0*# |
| 100 | 25 × 40 | 1160 | 280 | 1810 | 2.11 | 1.67 | 0.80 | B43544D7107M0*# |
| 100 | 30 × 35 | 1160 | 280 | 1810 | 2.11 | 1.75 | 0.84 | B43544E7107M0*# |
| 100 | 35 × 25 | 1160 | 280 | 1810 | 2.11 | 1.82 | 0.87 | B43544F7107M0*# |
| 120 | 25 × 50 | 970 | 230 | 1510 | 2.53 | 1.92 | 0.92 | B43544D7127M0*# |
| 120 | 30 × 35 | 970 | 230 | 1510 | 2.53 | 1.97 | 0.94 | B43544E7127M0*# |
| 120 | 35 × 30 | 970 | 230 | 1510 | 2.53 | 2.05 | 1.04 | B43544F7127M0*# |
| 150 | 25 × 55 | 770 | 190 | 1210 | 3.03 | 2.26 | 1.09 | B43544A7157M0*# |
| 150 | 30 × 45 | 770 | 190 | 1210 | 3.08 | 2.30 | 1.17 | B43544B7157M0*# |
| 150 | 35 × 35 | 770 | 190 | 1210 | 3.17 | 2.37 | 1.21 | B43544C7157M0*# |
| 180 | 30 × 50 | 640 | 150 | 1010 | 3.51 | 2.62 | 1.33 | B43544A7187M0*# |
| 180 | 35 × 40 | 650 | 160 | 1010 | 3.59 | 2.68 | 1.36 | B43544B7187M0*# |
| 220 | 30 × 55 | 530 | 130 | 830 | 4.05 | 3.02 | 1.54 | B43544A7227M0*# |
| 220 | 35 × 45 | 530 | 130 | 830 | 4.11 | 3.07 | 1.56 | B43544B7227M0*# |
| 270 | 35 × 50 | 430 | 110 | 680 | 4.73 | 3.53 | 1.79 | B43544A7277M0*# |

Composition of ordering code

* = Insulation feature

6 = PET insulation

8 = PVC insulation with additional PET insulation
cap on terminal side

= Terminal style

0 = snap-in standard terminals (6.3 mm)

2 = snap-in 3 terminals (4.5 mm)

7 = snap-in short terminals (4.5 mm)



B43544

Very high ripple current, high voltage – 105 °C

Useful life¹⁾

For useful life calculations, please use our web-based "AlCap Useful Life Calculation Tool", which can be found on the Internet under the following link:

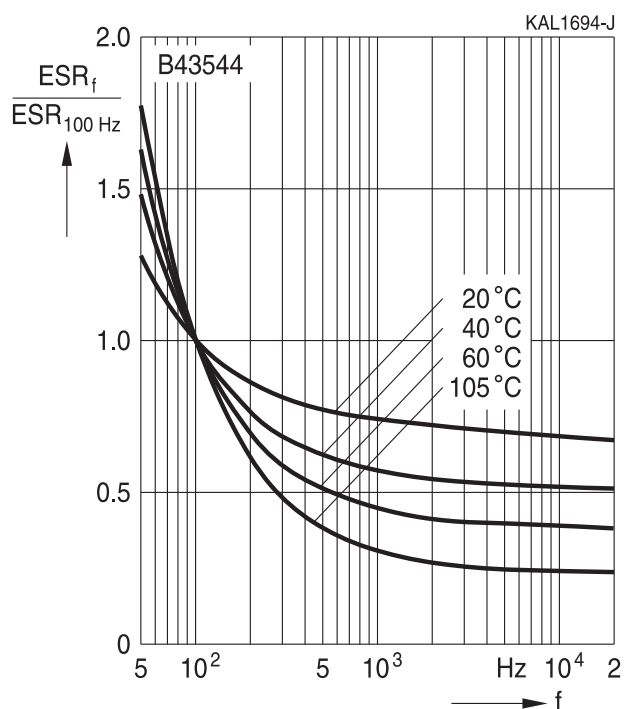
www.tdk-electronics.tdk.com/alcap

The AlCap Useful Life Calculation Tool provides calculations of useful life as well as additional data for selected capacitor types under operating conditions defined by the user.

In addition, it is possible to calculate useful life expectancies based on temperatures measured by the user in the application.

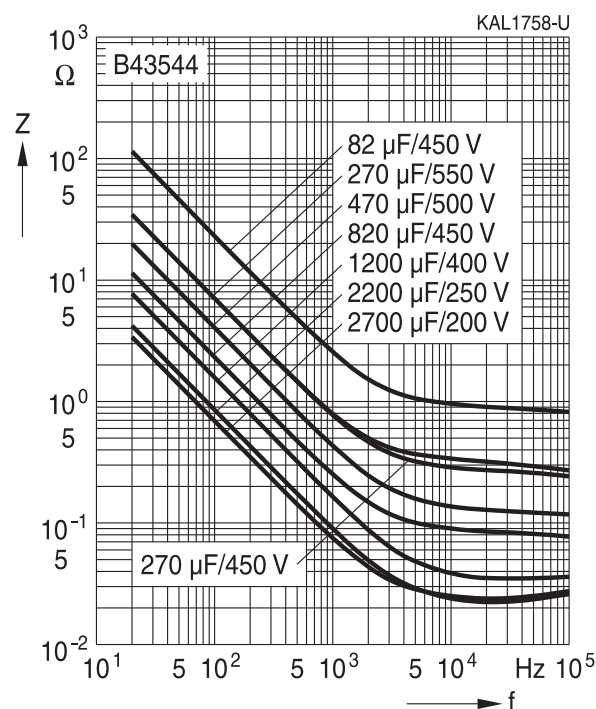
Frequency characteristics of ESR

Typical behavior



Impedance Z versus frequency f

Typical behavior at 20 °C



1) Refer to chapter "General technical information, 5 Useful life" on how to interpret useful life.



Cautions and warnings

Personal safety

The electrolytes used have been optimized both with a view to the intended application and with regard to health and environmental compatibility. They do not contain any solvents that are detrimental to health, e.g. dimethyl formamide (DMF) or dimethyl acetamide (DMAC). Furthermore, some of the high-voltage electrolytes used are self-extinguishing.

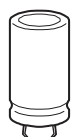
As far as possible, we do not use any dangerous chemicals or compounds to produce operating electrolytes, although in exceptional cases, such materials must be used in order to achieve specific physical and electrical properties because no alternative materials are currently known. We do, however, restrict the amount of dangerous materials used in our products to an absolute minimum.

Materials and chemicals used in our aluminum electrolytic capacitors are continuously adapted in compliance with the TDK Electronics Corporate Environmental Policy and the latest EU regulations and guidelines such as RoHS, REACH/SVHC, GADSL, and ELV.

MDS (Material Data Sheets) are available on our website for all types listed in the data book. MDS for customer specific capacitors are available upon request.

MSDS (Material Safety Data Sheets) are available for our electrolytes upon request.

Nevertheless, the following rules should be observed when handling aluminum electrolytic capacitors: No electrolyte should come into contact with eyes or skin. If electrolyte does come into contact with the skin, wash the affected areas immediately with running water. If the eyes are affected, rinse them for 10 minutes with plenty of water. If symptoms persist, seek medical treatment. Avoid inhaling electrolyte vapor or mists. Workplaces and other affected areas should be well ventilated. Clothing that has been contaminated by electrolyte must be changed and rinsed in water.



B43544

Very high ripple current, high voltage – 105 °C

Product safety

The table below summarizes the safety instructions that must be observed without fail. A detailed description can be found in the relevant sections of separate file chapter "General technical information".

| Topic | Safety information | Reference chapter "General technical information" |
|--|---|--|
| Polarity | Make sure that polar capacitors are connected with the right polarity. | 1 "Basic construction of aluminum electrolytic capacitors" |
| Reverse voltage | Voltages of opposite polarity should be prevented by connecting a diode. | 3.1.6 "Reverse voltage" |
| Mounting position of screw-terminal capacitors | Screw terminal capacitors must not be mounted with terminals facing down unless otherwise specified. | 11.1. "Mounting positions of capacitors with screw terminals" |
| Robustness of terminals | The following maximum tightening torques must not be exceeded when connecting screw terminals: M5: 2.5 Nm M6: 4.0 Nm | 11.3 "Mounting torques" |
| Mounting of single-ended capacitors | The internal structure of single-ended capacitors might be damaged if excessive force is applied to the lead wires. Avoid any compressive, tensile or flexural stress. Do not move the capacitor after soldering to PC board. Do not pick up the PC board by the soldered capacitor. Do not insert the capacitor on the PC board with a hole space different to the lead space specified. | 11.4 "Mounting considerations for single-ended capacitors" |
| Soldering | Do not exceed the specified time or temperature limits during soldering. | 11.5 "Soldering" |
| Soldering, cleaning agents | Do not allow halogenated hydrocarbons to come into contact with aluminum electrolytic capacitors. | 11.6 "Cleaning agents" |
| Upper category temperature | Do not exceed the upper category temperature. | 7.2 "Maximum permissible operating temperature" |
| Passive flammability | Avoid external energy, e.g. fire. | 8.1 "Passive flammability" |



| Topic | Safety information | Reference chapter "General technical information" |
|--|--|---|
| Active flammability | Avoid overload of the capacitors. | 8.2 "Active flammability" |
| Maintenance | Make periodic inspections of the capacitors. Before the inspection, make sure that the power supply is turned off and carefully discharge the capacitors. Do not apply excessive mechanical stress to the capacitor terminals when mounting. | 10 "Maintenance" |
| Storage | Do not store capacitors at high temperatures or high humidity. Capacitors should be stored at +5 to +35 °C and a relative humidity of ≤ 75%. | 7.3 "Shelf life and storage conditions" |
| | | Reference chapter "Capacitors with screw terminals" |
| Breakdown strength of insulating sleeves | Do not damage the insulating sleeve, especially when ring clips are used for mounting. | "Screw terminals – accessories" |

Display of ordering codes for TDK Electronics products

The ordering code for one and the same product can be represented differently in data sheets, data books, other publications, on the company website, or in order-related documents such as shipping notes, order confirmations and product labels. The varying representations of the ordering codes are due to different processes employed and do not affect the specifications of the respective products.

Detailed information can be found on the Internet under www.tdk-electronics.tdk.com/orderingcodes.



B43544

Very high ripple current, high voltage – 105 °C

Symbols and terms

| Symbol | English | German |
|---------------|---|---|
| C | Capacitance | Kapazität |
| C_R | Rated capacitance | Nennkapazität |
| C_S | Series capacitance | Serienkapazität |
| $C_{S,T}$ | Series capacitance at temperature T | Serienkapazität bei Temperatur T |
| C_f | Capacitance at frequency f | Kapazität bei Frequenz f |
| d | Case diameter, nominal dimension | Gehäusedurchmesser, Nennmaß |
| d_{max} | Maximum case diameter | Maximaler Gehäusedurchmesser |
| ESL | Self-inductance | Eigeninduktivität |
| ESR | Equivalent series resistance | Ersatzserienwiderstand |
| ESR_f | Equivalent series resistance at frequency f | Ersatzserienwiderstand bei Frequenz f |
| ESR_T | Equivalent series resistance at temperature T | Ersatzserienwiderstand bei Temperatur T |
| f | Frequency | Frequenz |
| I | Current | Strom |
| I_{AC} | Alternating current (ripple current) | Wechselstrom |
| $I_{AC,RMS}$ | Root-mean-square value of alternating current | Wechselstrom, Effektivwert |
| $I_{AC,f}$ | Ripple current at frequency f | Wechselstrom bei Frequenz f |
| $I_{AC,max}$ | Maximum permissible ripple current | Maximal zulässiger Wechselstrom |
| $I_{AC,R}$ | Rated ripple current | Nennwechselstrom |
| I_{leak} | Leakage current | Reststrom |
| $I_{leak,op}$ | Operating leakage current | Betriebsreststrom |
| l | Case length, nominal dimension | Gehäuselänge, Nennmaß |
| l_{max} | Maximum case length (without terminals and mounting stud) | Maximale Gehäuselänge (ohne Anschlüsse und Gewindebolzen) |
| R | Resistance | Widerstand |
| R_{ins} | Insulation resistance | Isolationswiderstand |
| R_{symm} | Balancing resistance | Symmetrierwiderstand |
| T | Temperature | Temperatur |
| ΔT | Temperature difference | Temperaturdifferenz |
| T_A | Ambient temperature | Umgebungstemperatur |
| T_C | Case temperature | Gehäusetemperatur |
| T_B | Capacitor base temperature | Temperatur des Gehäusebodens |
| t | Time | Zeit |
| Δt | Period | Zeitraum |
| t_b | Service life (operating hours) | Brauchbarkeitsdauer (Betriebszeit) |



| Symbol | English | German |
|-----------------|-----------------------------|-----------------------------------|
| V | Voltage | Spannung |
| V _F | Forming voltage | Formierspannung |
| V _{op} | Operating voltage | Betriebsspannung |
| V _R | Rated voltage, DC voltage | Nennspannung, Gleichspannung |
| V _S | Surge voltage | Spitzenspannung |
| X _C | Capacitive reactance | Kapazitiver Blindwiderstand |
| X _L | Inductive reactance | Induktiver Blindwiderstand |
| Z | Impedance | Scheinwiderstand |
| Z _T | Impedance at temperature T | Scheinwiderstand bei Temperatur T |
| tan δ | Dissipation factor | Verlustfaktor |
| λ | Failure rate | Ausfallrate |
| ε ₀ | Absolute permittivity | Elektrische Feldkonstante |
| ε _r | Relative permittivity | Dielektrizitätszahl |
| ω | Angular velocity; 2 · π · f | Kreisfrequenz; 2 · π · f |

Note

All dimensions are given in mm.

Important notes

The following applies to all products named in this publication:

1. Some parts of this publication contain **statements about the suitability of our products for certain areas of application**. These statements are based on our knowledge of typical requirements that are often placed on our products in the areas of application concerned. We nevertheless expressly point out **that such statements cannot be regarded as binding statements about the suitability of our products for a particular customer application**. As a rule, we are either unfamiliar with individual customer applications or less familiar with them than the customers themselves. For these reasons, it is always ultimately incumbent on the customer to check and decide whether a product with the properties described in the product specification is suitable for use in a particular customer application.
2. We also point out that **in individual cases, a malfunction of electronic components or failure before the end of their usual service life cannot be completely ruled out in the current state of the art, even if they are operated as specified**. In customer applications requiring a very high level of operational safety and especially in customer applications in which the malfunction or failure of an electronic component could endanger human life or health (e.g. in accident prevention or lifesaving systems), it must therefore be ensured by means of suitable design of the customer application or other action taken by the customer (e.g. installation of protective circuitry or redundancy) that no injury or damage is sustained by third parties in the event of malfunction or failure of an electronic component.
3. **The warnings, cautions and product-specific notes must be observed.**
4. In order to satisfy certain technical requirements, **some of the products described in this publication may contain substances subject to restrictions in certain jurisdictions (e.g. because they are classed as hazardous)**. Useful information on this will be found in our Material Data Sheets on the Internet (www.tdk-electronics.tdk.com/material). Should you have any more detailed questions, please contact our sales offices.
5. We constantly strive to improve our products. Consequently, **the products described in this publication may change from time to time**. The same is true of the corresponding product specifications. Please check therefore to what extent product descriptions and specifications contained in this publication are still applicable before or when you place an order. We also **reserve the right to discontinue production and delivery of products**. Consequently, we cannot guarantee that all products named in this publication will always be available. The aforementioned does not apply in the case of individual agreements deviating from the foregoing for customer-specific products.
6. Unless otherwise agreed in individual contracts, **all orders are subject to our General Terms and Conditions of Supply**.

Important notes

7. **Our manufacturing sites serving the automotive business apply the IATF 16949 standard.** The IATF certifications confirm our compliance with requirements regarding the quality management system in the automotive industry. Referring to customer requirements and customer specific requirements (“CSR”) TDK always has and will continue to have the policy of respecting individual agreements. Even if IATF 16949 may appear to support the acceptance of unilateral requirements, we hereby like to emphasize that **only requirements mutually agreed upon can and will be implemented in our Quality Management System.** For clarification purposes we like to point out that obligations from IATF 16949 shall only become legally binding if individually agreed upon.
8. The trade names EPCOS, CeraCharge, CeraDiode, CeraLink, CeraPad, CeraPlas, CSMP, CTVS, DeltaCap, DigiSiMic, ExoCore, FilterCap, FormFit, LeaXield, MiniBlue, MiniCell, MKD, MKK, MotorCap, PCC, PhaseCap, PhaseCube, PhaseMod, PhiCap, PowerHap, PQSine, PQvar, SIFERRIT, SIFI, SIKOREL, SilverCap, SIMDAD, SiMic, SIMID, SineFormer, SIOV, ThermoFuse, WindCap are **trademarks registered or pending** in Europe and in other countries. Further information will be found on the Internet at www.tdk-electronics.tdk.com/trademarks.

Release 2018-10