

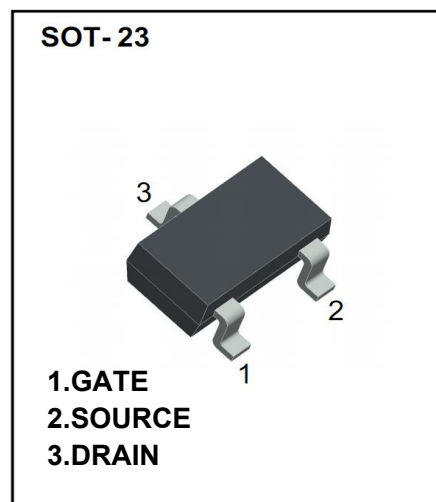
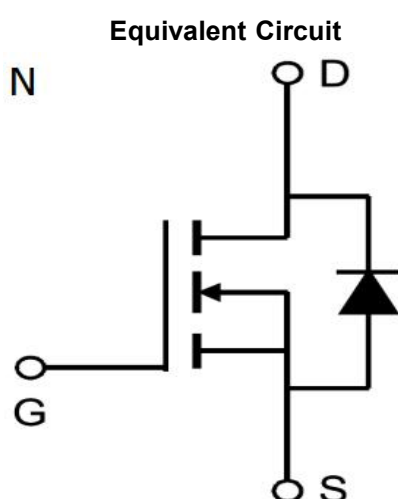
N-Channel 20-V(D-S) MOSFET

V(BR)DSS	RDS(on)MAX	ID
20 V	30mΩ@4.5V	6.5A
	36mΩ@2.5V	
	46mΩ@1.8V	

FEATURE

※ TrenchFET Power MOSFET

APPLICATION

 ※ Load Switch for Portable Devices
 ※ DC/DC Converter

Maximum ratings (Ta=25°C unless otherwise noted)

Parameter	Symbol	Value	Unit
Drain-Source Voltage	VDS	20	V
Gate-Source Voltage	VGS	±8	
Continuous Drain Current	ID	6.5	A
Pulsed Diode Current	IDM	20	
Continuous Source-Drain Current(Diode Conduction)	IS	1.04	
Power Dissipation	PD	0.75	W
Thermal Resistance from Junction to Ambient (t≤5s)	RθJA	357	°C/W
Operating Junction	TJ	150	°C
Storage Temperature	TSTG	-55~+150	°C

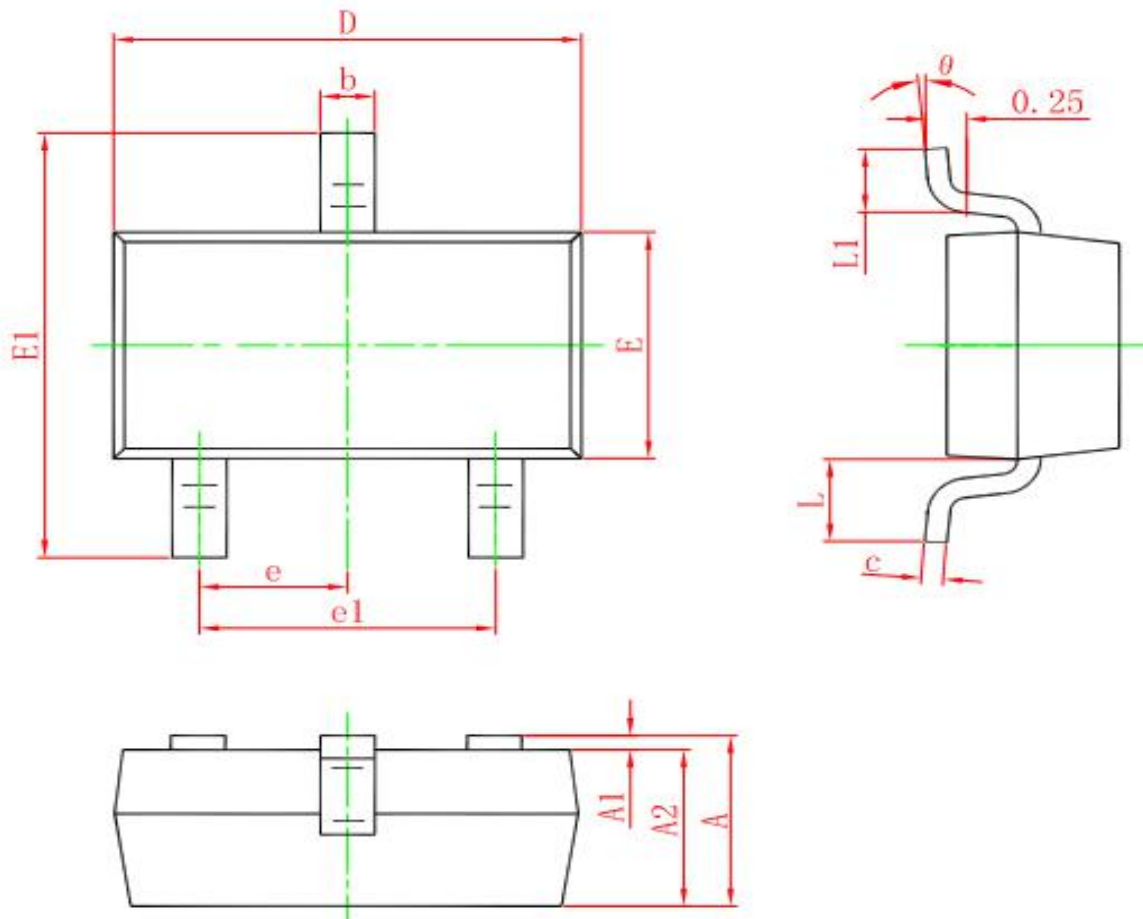
MOSFET ELECTRICAL CHARACTERISTICS
Static Electrical Characteristics (Ta = 25 °C Unless Otherwise Noted)

Parameter	Symbol	Test Condition	Min	Typ	Max	Unit
Static						
Drain-source breakdown voltage	V(BR)DSS	VGS = 0V, ID = 250μA	20			V
Gate-source threshold voltage	VGS(th)	VDS = VGS, ID = 250μA	0.4		1	V
Gate-source leakage	IGSS	VDS = 0V, VGS = ±8V			±100	nA
Zero gate voltage drain current	IDSS	VDS = 20V, VGS = 0V			1	μA
Drain-source on-state resistancea	RDS(on)	VGS = 4.5V, ID = 5A		18	30	mΩ
		VGS = 2.5V, ID = 4.5A		23	36	mΩ
		VGS = 1.8V, ID = 4A		28	46	mΩ
Forward transconductancea	gfs	VDS = 4.5V, ID = 5A		6		S
Diode forward voltage	VSD	IS=1A, VGS=0V		0.7	1.5	V
Dynamic						
Input capacitance	Ciss	VDS = 10V, VGS = 0V, f=1MHz		865		pF
Output capacitance	Coss			105		pF
Reverse transfer capacitanceb	Crss			55		pF
Total gate charge	Qg	VDS = 10V, VGS = 4.5V, ID = 5A		6	4.5	nC
Gate-source charge	Qgs			1		nC
Gate-drain charge	Qgd			1.3		nC
Gate resistance	Rg	f=1MHz		3		Ω
Switchingb						
Turn-on delay time	td(on)	VDD= 10V RL=10Ω, ID ≈ 1A, VGEN= 4.5V, Rg=6Ω		7	15	ns
Rise time	tr			15	20	ns
Turn-off delay time	td(off)			15	32	ns
Fall time	tf			10	20	ns
Drain-source body diode characteristics						
Continuous Source-Drain Diode Current	IS	Tc=25°C			5.2	A
Pulsed Diode forward Curren	ISM				20	A

Note :

1. Repetitive Rating : Pulse width limited by maximum junction temperature.
2. Surface Mounted on FR4 Board, t < 5 sec.
3. Pulse Test : Pulse Width ≤ 300μs, Duty Cycle ≤ 2%.
4. Guaranteed by design, not subject to production testing.

SOT-23 PACKAGE OUTLINE DIMENSIONS



Symbol	Dimensions In Millimeters		Dimensions In Inches	
	Min.	Max.	Min.	Max.
A	0.900	1.150	0.035	0.045
A1	0.000	0.100	0.000	0.004
A2	0.900	1.050	0.035	0.041
b	0.300	0.500	0.012	0.020
c	0.080	0.150	0.003	0.006
D	2.800	3.000	0.110	0.118
E	1.200	1.400	0.047	0.055
E1	2.250	2.550	0.089	0.100
e	0.950 TYP.		0.037 TYP.	
e1	1.800	2.000	0.071	0.079
L	0.550 REF.		0.022 REF.	
L1	0.300	0.500	0.012	0.020
θ	0°	8°	0°	8°

TYPICAL ELECTRICAL AND THERMAL CHARACTERISTICS

