

Messrs. ALMAR JAPN P3

ALUMINUM ELECTROLYTIC CAPACITORS SPECIFICATION SHEET

CUSTOMER PART No.		
Rubycon PART No.	450 MXG 470 M EFA SN 30X50	
DRAWING No.	REE - 045430	ISSUE No. 1
ISSUE DATE	20 November 2012	



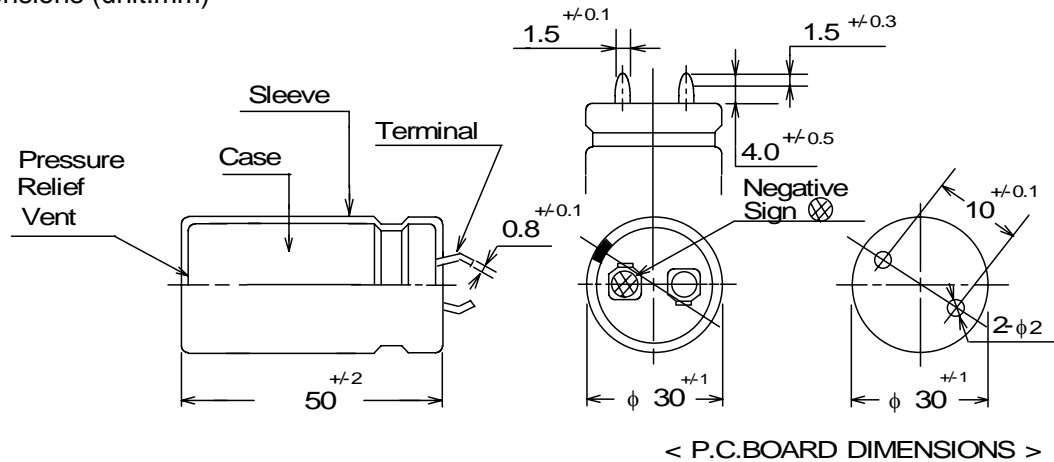
RUBYCON CORPORATION
ENGINEERING DIVISION

1938-1, NISHIMINOWA, INA-SHI, NAGANO-KEN, JAPAN
TEL No. +81-265-72-7116
FAX No. +81-265-73-3380

DESIGN	KAZUNORI OYABE
	<i>K. Oyabe</i>
CHECK	HIROKAZU HORIKAWA
	<i>H. Horikawa</i>
APPROVAL	YUZO SHIBA
	<i>Y. Shiba</i>

Fixed aluminum electrolytic capacitors for use in electronic equipment	Customer Part Number	
	Rubycon Part Number	450 MXG 470 M EFA SN 30X50
	Style	CE692
	Operating Temperature Range	-25°C~+105°C
	The General Standard	JIS C 5141(1991)

1. Dimensions (unit:mm)



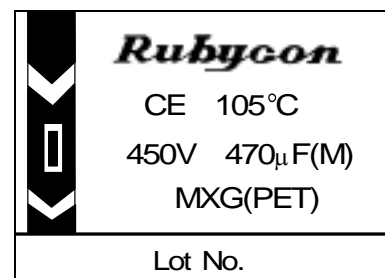
Name	Sleeve	Case	Seal	Terminal
Material	P.E.T.	Al	Rubber-laminated bakelite	SPCC(Tin plating)
Appearance	Black			

2. Electrical Performance

Nominal Capacitance (μ F)	Capacitance Tolerance (%)	Rated Voltage (V.DC)	Surge Voltage (V.DC)	Leakage Current Max./5min. (μ A)	$\tan\delta$ Max.	Rated Ripple Current (A r.m.s.)
470	-20 ~ +20	450	500	1379	0.20	1.78

3. Marking: Unless otherwise specified, capacitor shall be clearly marked on its body.

- (1) Brand
- (2) Mark Indicating Electrolytic Capacitor
- (3) Maximum Operating Temperature
- (4) Rated Voltage
- (5) Nominal Capacitance (Tolerance)
- (6) Series (Sleeve material)
- (7) Polarity
- (8) Lot No.



4. Temperature Characteristics (Impedance ratio at 120Hz)

$$Z(-25^{\circ}\text{C})/Z(20^{\circ}\text{C}): \quad 8 \text{ MAX.}$$

5. Load Life Test

After 3000 + 72/0 hours application of D.C. rated working voltage with full rated ripple current at 105±2°C, the capacitor shall meet the following requirements.

Capacitance Change	: Within ±20% of the initial value
Dissipation Factor	: Not more than 200% of the specified value
Leakage Current	: Not more than the specified value

450 MXG 470 M EFA SN 30X50	Rubycon RUBYCON CORPORATION	DRAWING No.	ISSUE No.
		REE - 045430	1

6. Notes (on the use of aluminum electrolytic capacitors)

(1) Charge and discharge

Do not use for a circuit where rapid charge and discharge is frequently repeated.

(2) Insulation

Aluminum electrolytic capacitors are covered with P.E.T. sleeve which purpose is mainly indication of necessary items.

The case of capacitor and the cathode terminal are not insulated.

(3) Polarity

Please confirm the polarity before use because this capacitor has polarity.

*Guide to application except the above are described in our catalog and EIAJ RCR-2367C.

EIAJ RCR-2367C: "Safety Application Guide for fixed aluminum electrolytic capacitors for use in electronic equipment"

450 MXG 470 M EFA SN 30X50	<i>Rubycon</i> RUBYCON CORPORATION	DRAWING No.	ISSUE No.
		REE - 045430	1