

DATA SHEET

PART NO.: L-C192WDT-GN

REV: A / 3

CUSTOMER'S APPROVAL : _____

DCC : _____

DRAWING NO. : DS-75-13-0004

DATE : 2017-2-7

PAGE

1 of 15

SURFACE MOUNT DEVICE LED

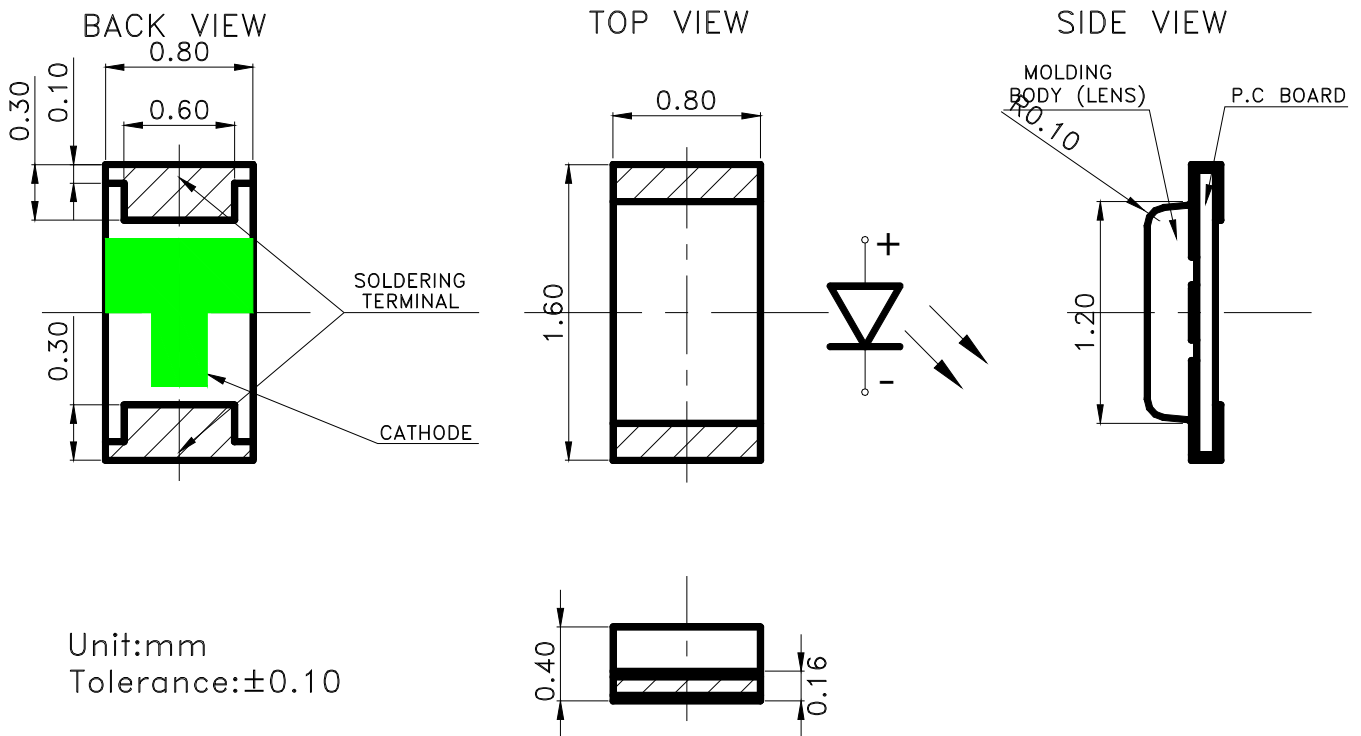
Part No. : L-C192WDT-GN

REV: A / 3

● Features

- * Extra thin 0.4mm, Top view, Wide view angle, White color SMD chip LED .
- * Special for Cellular Phone keypad / LCD backlighting or thin touch button LED backlighting.
- * Packing in 8mm tape on 7" diameter reels.
- * Compatible with automatic Pick & Place equipment.
- * Compatible with Reflow soldering and Wave soldering processes.
- * EIA STD package.(ANSI/EIA-481-B-2001)
- * I.C. compatible, low current application
- * Pb free product and acceptable lead-free process!.
- * Meet RoHS Green Product.

● PACKAGE OUTLINE DIMENSIONS



Notes:

1. All dimensions are in millimeters.
2. Tolerance is $\pm 0.1\text{mm}$ (.004") unless otherwise noted.

SURFACE MOUNT DEVICE LED

Part No. : L-C192WDT-GN

REV: A / 3

● CHIP MATERIALS

- * Dice Material : InGaN
- * Light Color : White
- * Lens Color : Light Yellow Diffused.

● Absolute Maximum Ratings(Ta=25°C)

Symbol	Parameter	Rating	Unit
PD	Power Dissipation	76	mW
IPF	Peak Forward Current (1/10 Duty Cycle, 0.1ms Pulse Width)	80	mA
IF	Continuous Forward Current	5	mA
-	De-rating Linear From 25°C	0.25	mA/°C
VR	Reverse Voltage	5	V
ESD	Electrostatic Discharge Threshold(HBM)Note A	1000	V
Topr	Operating Temperature Range	-30 ~ + 80	°C
Tstg	Storage Temperature Range	-40 ~ + 85	°C

Note A :

HBM : Human Body Model. Seller gives no other assurances regarding the ability of to withstand ESD.

● Electro-Optical Characteristics(Ta=25°C)

Parameter	Symbol	Min.	Typ.	Max.	Unit	Test Condition
Luminous Intensity	IV	160	200		mcd	IF=5mA
Viewing Angle	2 θ 1/2		130		Deg	Note 2
CIE Chromaticity	X		0.30			IF=5mA
CIE Chromaticity	Y		0.29			
Forward Voltage	VF		2.8	3.1	V	IF = 5mA
Reverse Current	IR			50	μ A	VR = 5V

SURFACE MOUNT DEVICE LED

Part No. : L-C192WDT-GN

REV: A / 3

Notes:

1. Luminous intensity is measured with a light sensor and filter combination that proximates the CIE eye-response curve.
2. θ 1/2 is the off-axis angle at which the luminous intensity is half the axial luminous intensity.
3. Caution in ESD :
Static Electricity and surge damages the LED. It is recommended use a wrist band or anti-electrostatic glove when handling the LED. All devices, equipment and machinery must be properly grounded.
4. Major standard testing equipment by “Instrument System” Model : CAS140B Compact Array Spectrometer and “KEITHLEY” Source Meter Model : 2400.

● **Typical Electro-Optical Characteristics Curves**

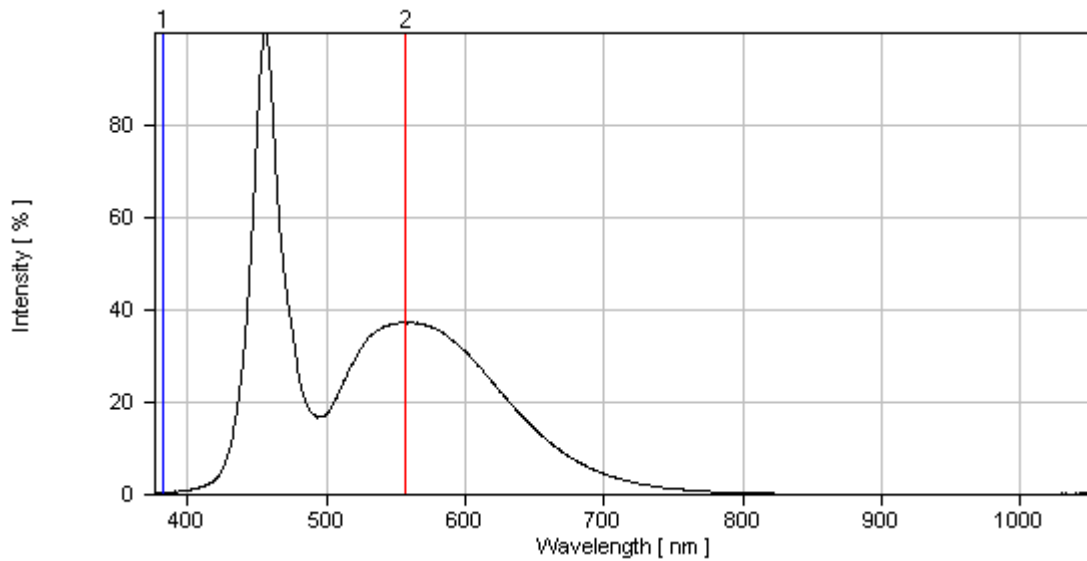


Fig.1 Relative Intensity vs. Wavelength

SURFACE MOUNT DEVICE LED

Part No. : L-C192WDT-GN

REV: A / 3

● Typical Electro-Optical Characteristics Curves

(25°C Ambient Temperature Unless Otherwise Noted)

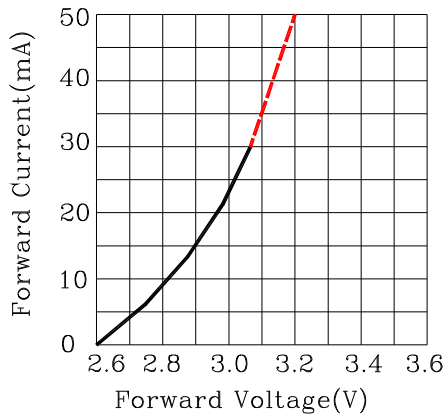


Fig.1 Forward Current vs.Forward Voltage

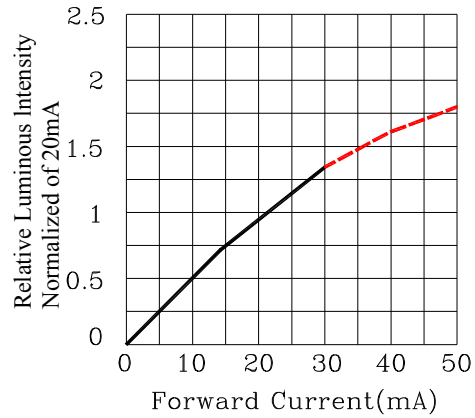


Fig.1 Relative Luminous Intensity vs.Forward Current

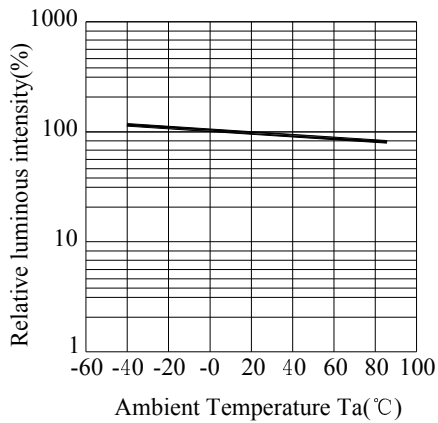


Fig.3 Luminous Intensity vs. Ambient Temperature

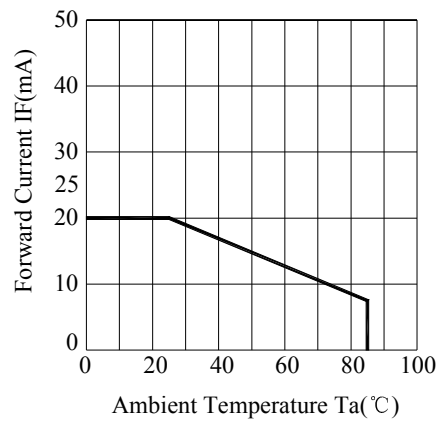


Fig.4 Forward Current Derating Curve

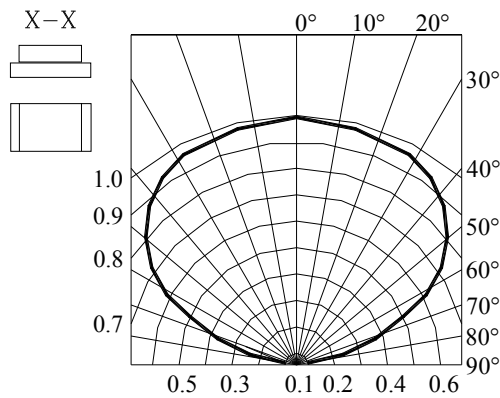


Fig.5 Relative Intensity vs. Angle

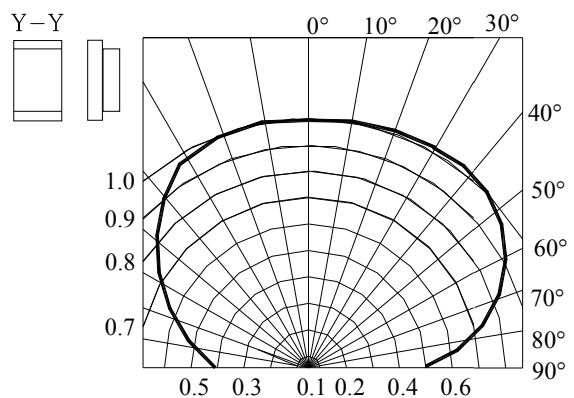


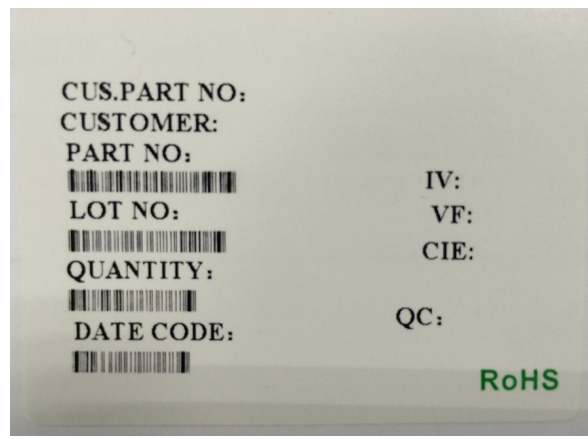
Fig.6 Relative Intensity vs. Angle

SURFACE MOUNT DEVICE LED

Part No. : L-C192WDT-GN

REV: A / 3

● Label Explanation



ITEM CODE:PARA LIGHT

PART NO: L-C192WDT-GN

IV --- Luminous Intensity Code

LOT NO:	<u>EM</u>	<u>S</u>	<u>L</u>	<u>12</u>	<u>09</u>	<u>0110</u>
	A	B	C	D	E	F

A---EM: Emos Code

B---S:SMD

L---Local

D---Year

E---Month

F---SPEC.

PACKING QUANTITY OF BAG :

3000pcs for 150、170、110、155、115 series

4000pcs for 191 series

5000pcs for 192 series

DATE CODE:	<u>2012</u>	<u>09</u>	<u>10</u>
	G	H	I

G--- Year

H--- Month

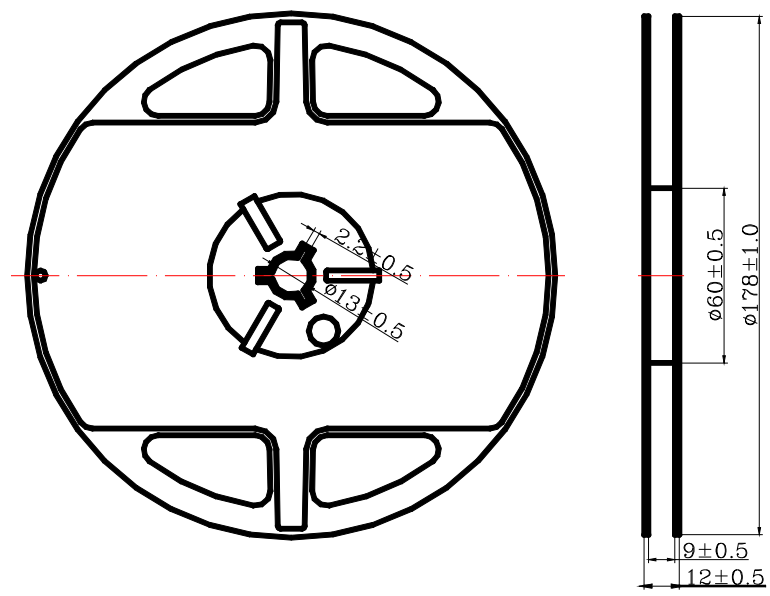
I --- Day

SURFACE MOUNT DEVICE LED

Part No. : L-C192WDT-GN

REV: A / 3

● Reel Dimensions



Notes:

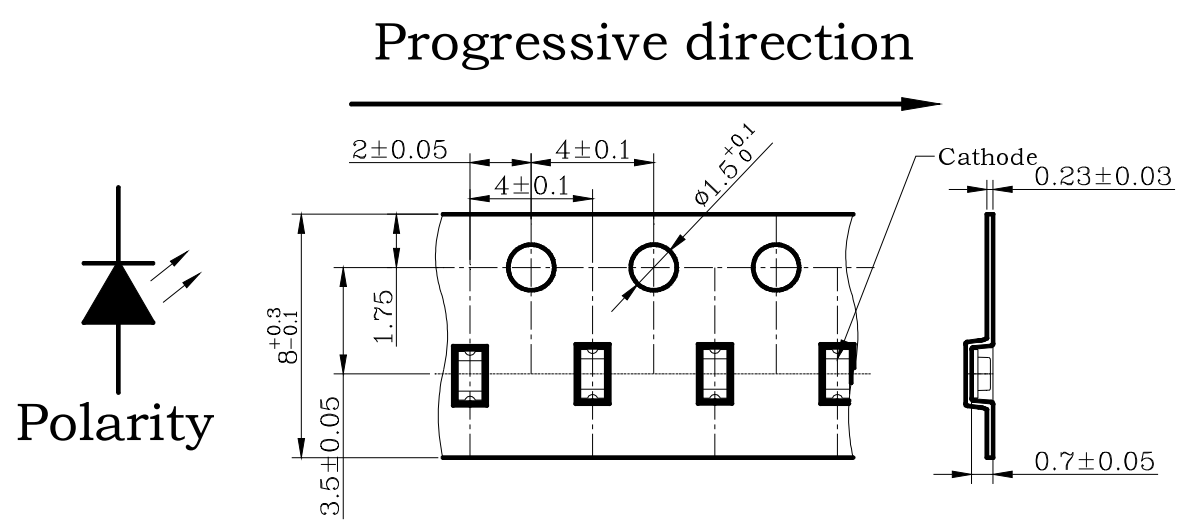
1. Taping Quantity : 3000pcs
2. The tolerances unless mentioned is $\pm 0.1\text{mm}$, Angle $\pm 0.5^\circ$, Unit : mm.

SURFACE MOUNT DEVICE LED

Part No. : L-C192WDT-GN

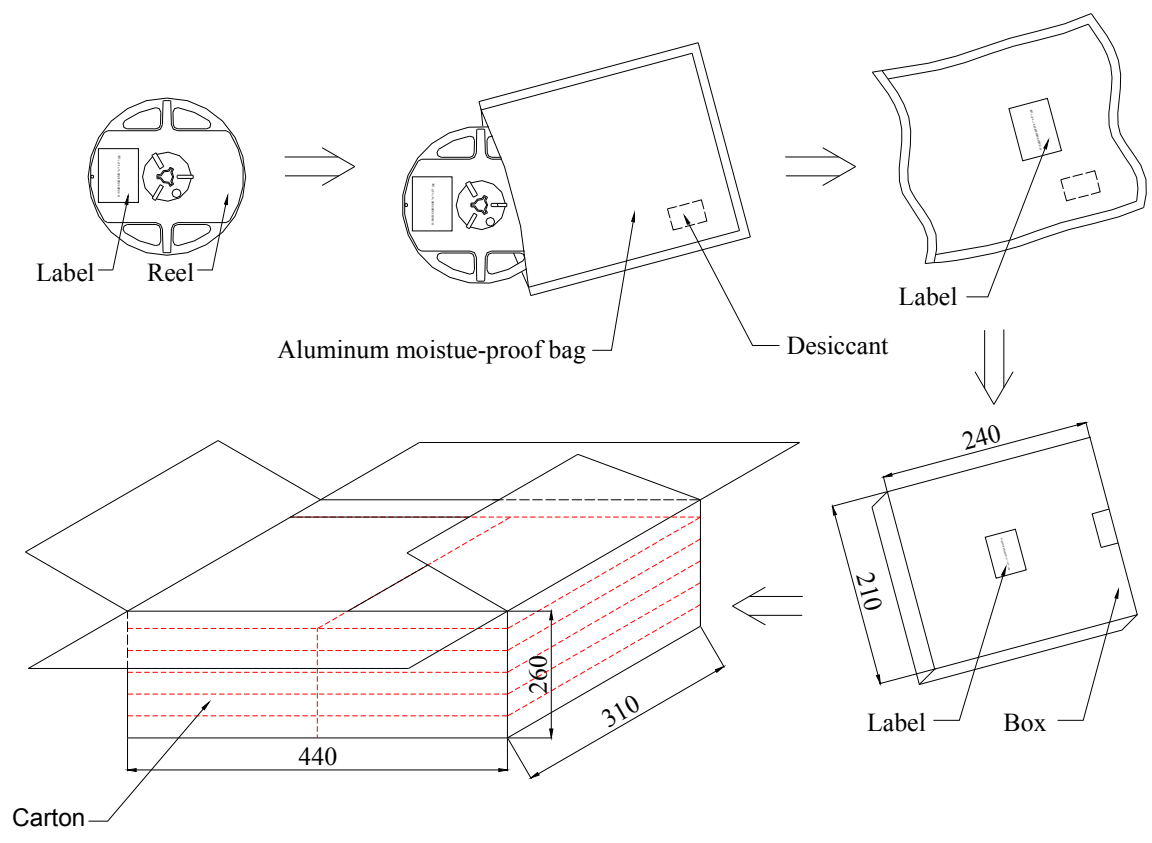
REV: A / 3

● Package Dimensions Of Tape And Reel



Notes: All dimensions are in millimeters.

Moisture Resistant Packaging



Notes : One reel in a bag, six bag in a inner box, six inner boxes in a carton. Unit : mm.

SURFACE MOUNT DEVICE LED

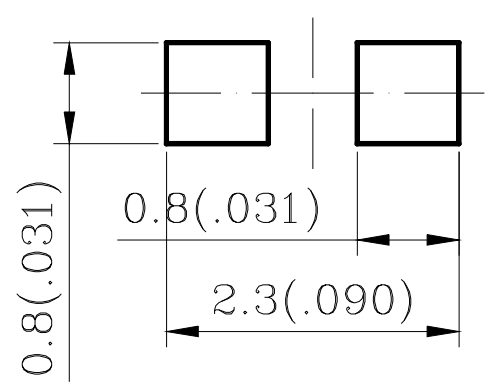
Part No. : L-C192WDT-GN

REV: A / 3

● Cleaning

- * If cleaning is required , use the following solutions for less than 1 minute and less than 40°C.
- * Appropriate chemicals: Ethyl alcohol and isopropyl alcohol.
- * Effect of ultrasonic cleaning on the LED resin body differs depending on such factors as the oscillator output, size of PCB and LED mounting method. The use of ultrasonic cleaning should be enforced at proper output after confirming there is no problem.

● Suggest Soldering Pad Dimensions



Direction of PWB camber
and go to reflow furnace

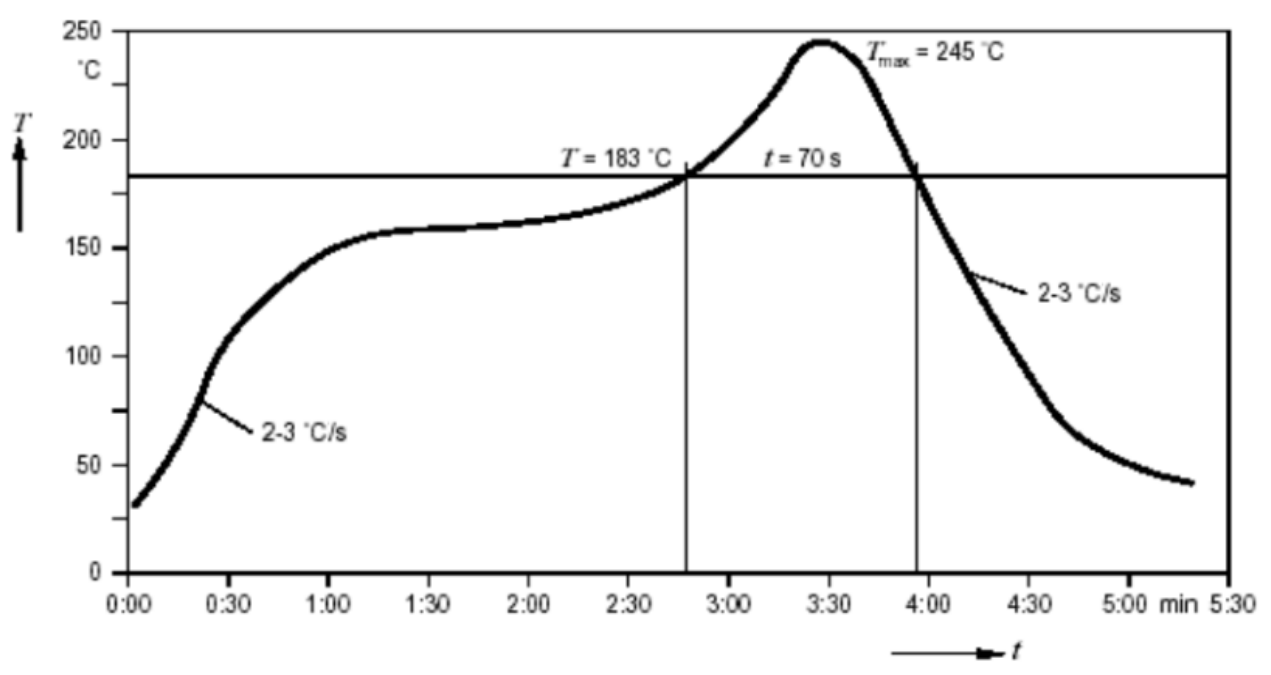
Notes : Suggest stencil print screen thickness are 0.10mm maximum.

SURFACE MOUNT DEVICE LED

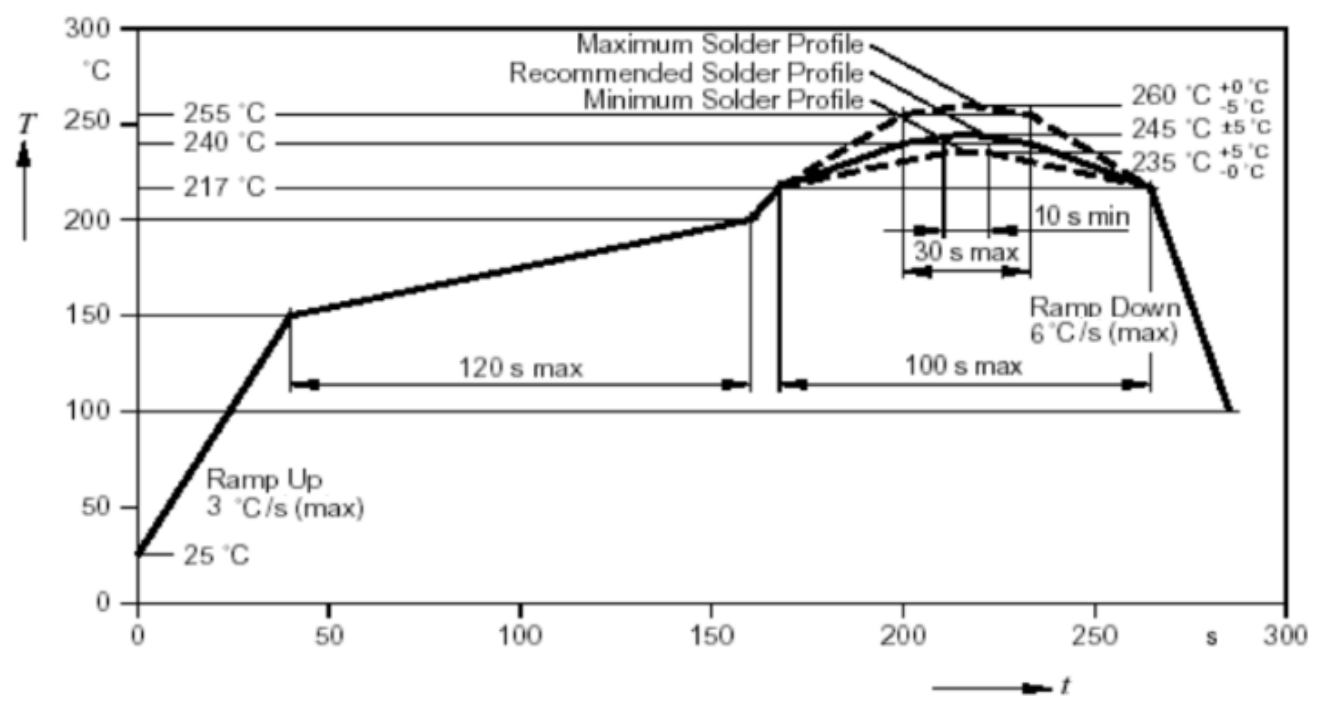
Part No. : L-C192WDT-GN

REV: A / 3

- Suggest Sn/Pb IR Reflow Soldering Profile Condition:



- Suggest Pb-Free IR Reflow Soldering Profile Condition:



SURFACE MOUNT DEVICE LED

Part No. : L-C192WDT-GN

REV: A / 3

● Bin Code List

Luminous Intensity(IV), Unit:mcd@5mA			Forward Voltage(VF), Unit:V@5mA		
Bin Code	Min	Max	Bin Code	Min	Max
R4	160	180	11	2.6	2.7
S1	180	200	12	2.7	2.8
S2	200	220	13	2.8	2.9
S3	220	240	14	2.9	3.0
			15	3.0	3.1

Tolerance of each bin are $\pm 15\%$

Tolerance of each bin are ± 0.1 Volt

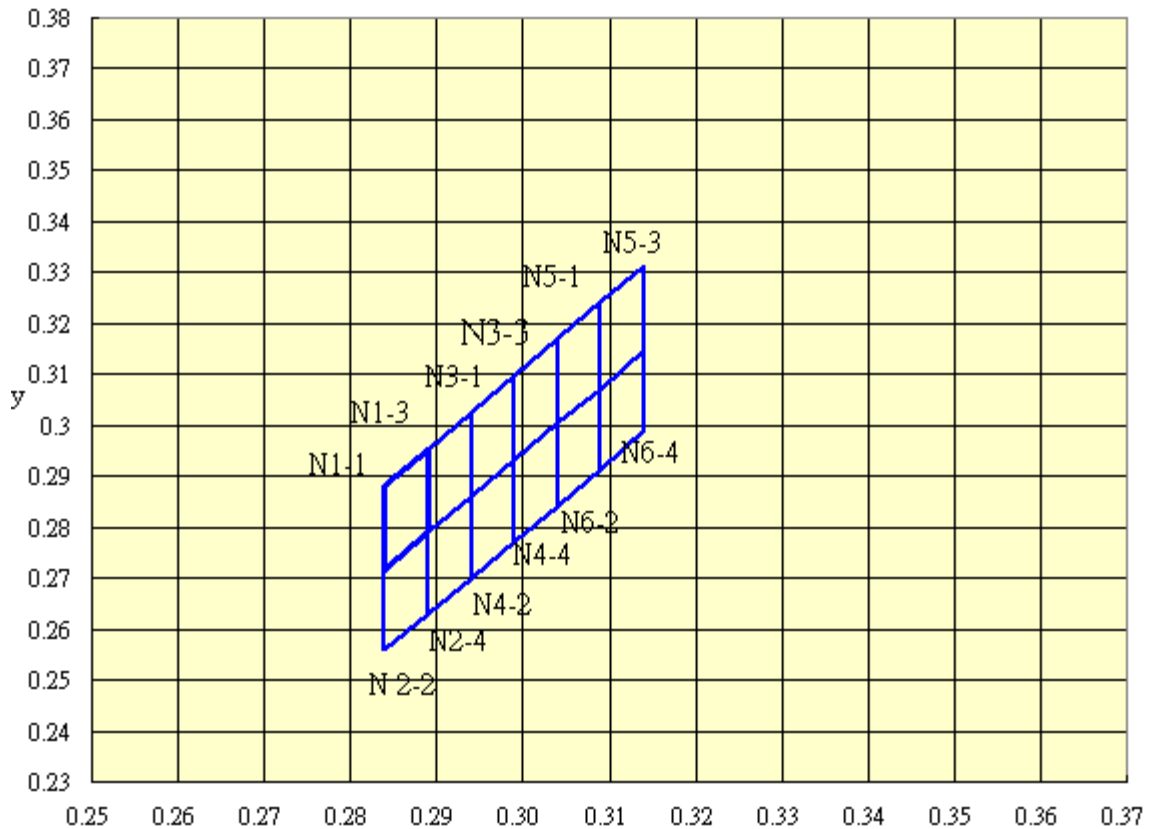
Color Rank (CIE chromaticity X , Y) @ 5mA									
Rank N1-1					Rank N1-3				
X	0.284	0.284	0.289	0.289	X	0.289	0.289	0.294	0.294
Y	0.2882	0.2715	0.279	0.295	Y	0.295	0.279	0.286	0.3025
Rank N3-1					Rank N3-3				
X	0.294	0.294	0.299	0.299	X	0.299	0.299	0.304	0.304
Y	0.286	0.3025	0.3097	0.2934	Y	0.2934	0.3097	0.317	0.3005
Rank N5-1					Rank N5-3				
X	0.304	0.304	0.309	0.309	X	0.309	0.309	0.314	0.314
Y	0.3005	0.317	0.3242	0.307	Y	0.307	0.3242	0.3315	0.315
Rank N2-2					Rank N2-4				
X	0.284	0.284	0.289	0.289	X	0.289	0.289	0.294	0.294
Y	0.2715	0.2558	0.263	0.279	Y	0.279	0.263	0.27	0.286
Rank N4-2					Rank N4-4				
X	0.294	0.294	0.299	0.299	X	0.299	0.299	0.304	0.304
Y	0.286	0.27	0.277	0.2934	Y	0.2934	0.277	0.2843	0.3005
Rank N6-2					Rank N6-4				
X	0.304	0.304	0.309	0.309	X	0.309	0.309	0.314	0.314
Y	0.3005	0.2843	0.2914	0.307	Y	0.307	0.2914	0.299	0.315

* Measurement of Color coordinates : +/- 0.02

SURFACE MOUNT DEVICE LED

Part No. : L-C192WDT-GN

REV: A / 3



● CAUTIONS

1. Application Limitation :

The LED's described here are intended to be used for ordinary electronic equipment (such as office equipment, communication equipment and household application). Consult PARA's sales in advance for information on application in which exceptional quality and reliability are required, particularly when the failure or malfunction of the LED's may directly jeopardize life or health (such as airplanes, automobiles, traffic control equipment, life support system and safety devices).

2. Storage :

Do not open moisture proof bag before the products are ready to use.

Before opening the package: The LEDs should be kept at 30°C or less and 90%RH or less.

After opening the package: The LED's floor life is 1 year under 30°C or less and 60% RH or less. If unused LEDs remain, it should be stored in moisture proof packages.

If the moisture absorbent material (silica gel) has faded away or the LEDs have exceeded the storage time, baking treatment should be performed using the following conditions.

Baking treatment: 60±5°C for 24 hours.

SURFACE MOUNT DEVICE LED

Part No. : L-C192WDT-GN

REV: A / 3

3. Soldering

Do not apply any stress to the lead frame during soldering while the LED is at high temperature.

Recommended soldering condition.

Reflow Soldering :

Pre-heat 120~150°C, 120sec. MAX., Peak temperature : 240°C Max. Soldering time : 10 sec Max.

Soldering Iron : (Not recommended)

Temperature 300°C Max., Soldering time : 3 sec. Max.(one time only), power dissipation of iron : 20W Max. use SN60 solder of solder with silver content and don't to touch LED lens when soldering.

Wave soldering :

Pre-heat 100°C Max, Pre-heat time 60 sec. Max, Solder wave 260°C Max, Soldering time 5 sec. Max. performed consecutively cooling process is required between 1st and 2nd soldering processes.

4. Lead-Free Soldering

For Reflow Soldering :

- 1、Pre-Heat Temp: 150-180°C, 120sec. Max.
- 2、Soldering Temp: Temperature Of Soldering Pot Over 230°C, 40sec. Max.
- 3、Peak Temperature: 260°C , 5sec.
- 4、Reflow Repetition: 2 Times Max.
- 5、Suggest Solder Paste Formula : 93.3 Sn/3.1 Ag/3.1 Bi/0.5 Cu

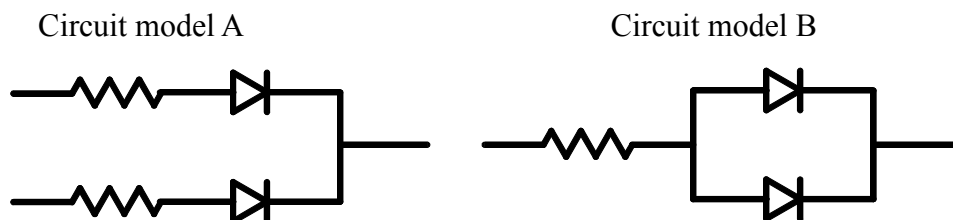
For Soldering Iron (Not Recommended) :

- 1、Iron Tip Temp: 350°C Max.
- 2、Soldering Iron: 30w Max.
- 3、Soldering Time: 3 Sec. Max. One Time.

For Dip Soldering :

- 1、Pre-Heat Temp: 150°C Max. 120 Sec. Max.
- 2、Bath Temp: 265°C Max.
- 3、Dip Time: 5 Sec. Max.

5. Drive Method



(A) Recommended circuit.

(B) The difference of brightness between LED's could be found due to the Vf-If characteristics of LED.

SURFACE MOUNT DEVICE LED

Part No. : L-C192WDT-GN

REV: A / 3

6. Reliability Test

Classification	Test Item	Test Condition	Reference Standard
Endurance Test	Operation Life	Ta= Under Room Temperature As Per Data Sheet Maximum Rating *Test Time= 1000HRS (-24HRS,+72HRS)*@5mA.	MIL-STD-750D:1026 (1995) MIL-STD-883D:1005 (1991) JIS C 7021:B-1 (1982)
	High Temperature High Humidity Storage	IR-Reflow In-Board, 2 Times Ta= 65±5°C, RH= 90~95% *Test Time= 1000HRS±2HRS	MIL-STD-202F:103B(1980) JIS C 7021:B-11(1982)
	High Temperature Storage	Ta= 105±5°C Test Time= 1000HRS (-24HRS,72HRS)	MIL-STD-883D:1008 (1991) JIS C 7021:B-10 (1982)
	Low Temperature Storage	Ta= -55±5°C *Test Time=1000HRS (-24HRS,72H RS)	JIS C 7021:B-12 (1982)
Environmental Test	Temperature Cycling	105±5°C -55±5°C 10mins 10mins 100 Cycles	MIL-STD-202F:107D (1980) MIL-STD-750D:1051(1995) MIL-STD-883D:1010 (1991) JIS C 7021:A-4(1982)
	Thermal Shock	IR-Reflow In-Board, 2 Times 105±5°C -55°C±5°C 10mins 10mins 100 Cycles	MIL-STD-202F:107D(1980) MIL-STD-750D:1051(1995) MIL-STD-883D:1011 (1991)
	Solder Resistance	Tsol= 260 ± 5°C Dwell Time= 10 ± 1sec	MIL-STD-202F:210A(1980) MIL-STD-750D:2031(1995) JIS C 7021:A-1(1982)
	Solder ability	Tsol= 235 ± 5°C Immersion time 2±0.5 sec Immersion rate 25±2.5 mm/sec Coverage ≥95% of the dipped surface	MIL-STD-202F:208D(1980) MIL-STD-750D:2026(1995) MIL-STD-883D:2003(1991) IEC 68 Part 2-20 JIS C 7021:A-2(1982)

7. Others:

The appearance and specifications of the product may be modified for improvement without notice.

SURFACE MOUNT DEVICE LED

Part No. : L-C192WDT-GN

REV: A / 3

● PART NO. SYSTEM :
L - C 1 9 2 X C X X - X X X X

XXXX : Special specification for customer

T : Taping for 7 inch reel
TC : Taping for 13 inch reel
TH : IV half binning
TP : Wavelength binning

Lens color
C : Water Clear
W : White Diffused
T : Color Transparent
D : Color Diffused

KG : AllnGap 570nm Super Green
KY : AllnGap 590nm Super Yellow
KF : AllnGap 605nm Super Amber
KR : AllnGap 630 nm Super Red
LB : InGaN 470nm Blue
LG : InGaN 525nm Green
W : InGaN + YAG White.....

0 : Single chip
1/2 : Super thin single chip
5/6 : Dual chip
F : Three chip(Full color)

150 : 1206 1.1T Type
170 : 0805 0.8T Type
191 : 0603 0.6T Type
192 : 0603 0.4T Type
110 : 1206 1.0T Type

C : Top View Type
S : Side View Type