



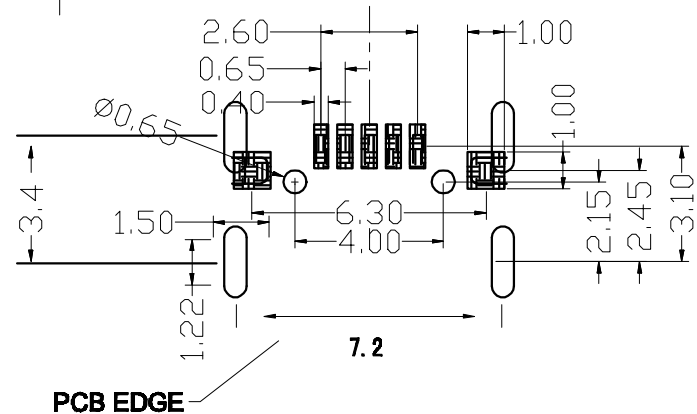
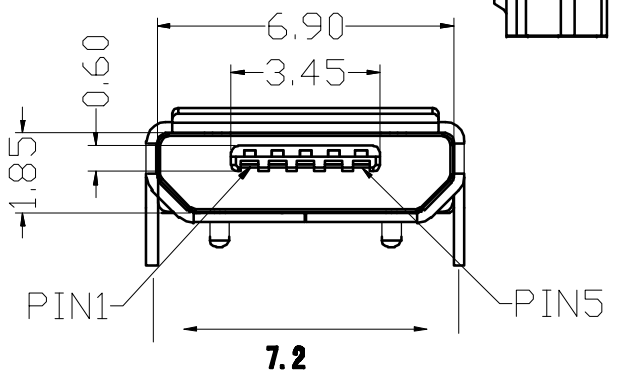
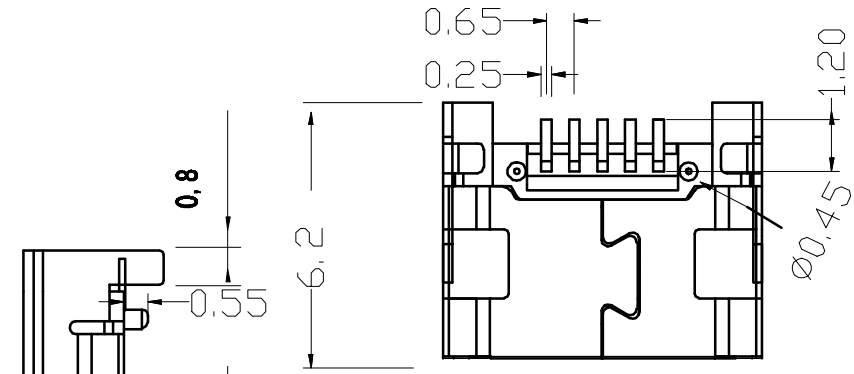
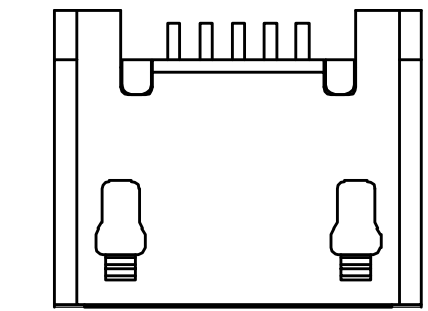
REV.	ECN NO OR DESCRIPTION	REVISED	DATE

规格说明: Specifications;
电气特性: Electrical;

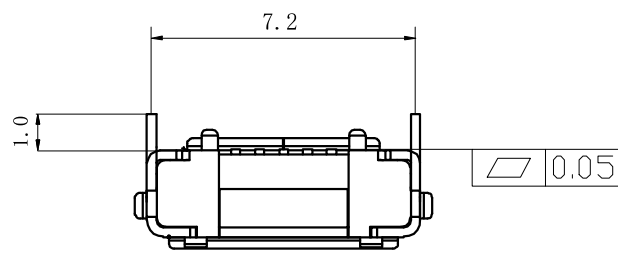
- 额定电流; Current Rating
1.0A/contact terminal
 - 额定电压; Voltage Rating 30V DC
 - 接触阻抗; Contact Resistance
50 milliohms MAX
 - 耐电压; Dielectric Withstanding Voltage;
300 V AC AT Sea Level
 - 绝缘阻抗; Insulation Resistance;
100MEGA ohms MIN
- 物理性能; Mechanical;
- 插拔力; Connect Mate and unmate Force
Mate force; 3.0kgf (MAX)
Unmate force; 0.7kgf (MIN)
 - 端子保持力; Terminal Retention 0.5kgf (MIN)
- 原材料: Material;
- 塑胶; Housing:
Hing Temperature Thermoplastics,
UI 94V-0 LCP Black
 - 端子; Contact: Copper Alloy C2680
 - 外壳; Shell: H 65
- 电镀: Finish:
- 端子; Contact: Plated Gold in Mating Area;
Tin on solder tails
 - 外壳; Shell: Nickel Plating (能过炉自动上锡)

A
B
C
D

A
B
C
D



RECOMMENDED PCB LAYOUT
TOLERANCE: ±0.05



UNLESS OTHERWISE SPECIFIED TOLERANCES		东莞市汉博电子科技有限公司 DONGGUAN HANBO TECHNOLOGY CO., LTD			
DECIMALS:	ANGLES:	TITLE	MICRO USB 四脚插件无卷边		
X : ±0.35	X : ±2°	DWN	xiong	PART NO. MC-604-AWT	
X.X : ±0.25	X.X : ±1°	CHKD	lee	SCALE: 1:1	UNIT: mm
X.XX : ±0.15		APVD	wang	SIZE: A4	SHEET: 10F 1
		REV: A4			
CUSTOMER COPY					