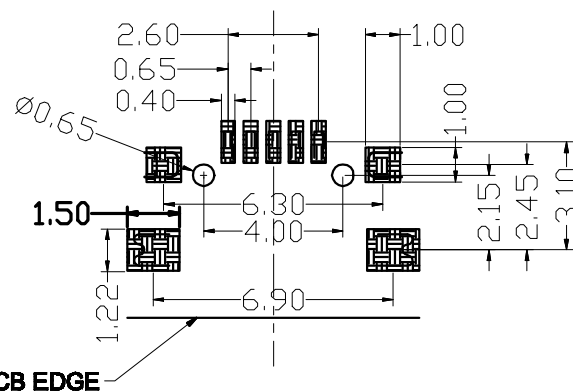
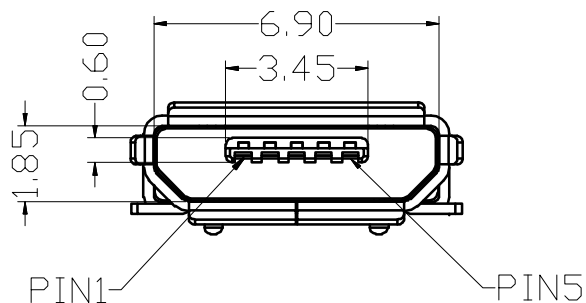
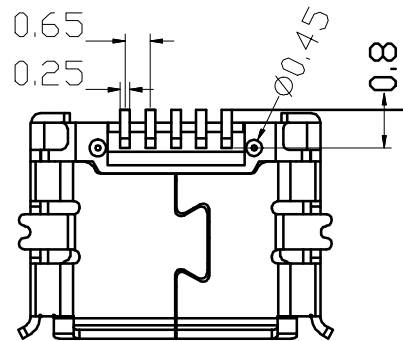
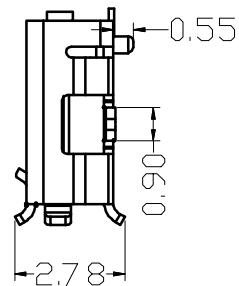
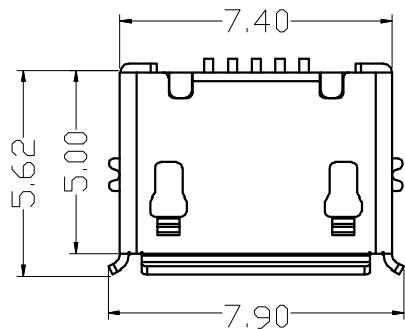




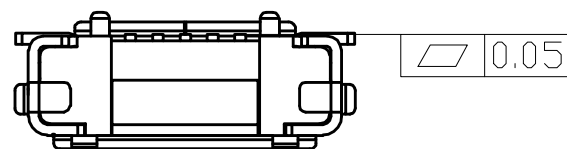
REV.	ECN NO OR DESCRIPTION	REVISED	DATE



RECOMMENDED PCB LAYOUT  
TOLERANCE: ±0.05

NOTES:

1. MATERIAL:
  - 1.1 HOUSING: THERMOPLASTIC FLAMMABILITY RATING UL94-0
  - 1.2 CONTACT: COPPERY ALLOY T=0.15MM
  - 1.3 SHELL: COPPERY ALLOY T=0.25MM
2. FINISH:
  - 2.1 CONTACT:
    - 3U" MIN, PLATED ON CONTACT AREA
    - G/F PLATING ON SOLDER TAIL AREA
    - 50~80U" NICKEL UNDERPLATING OVERALL
  - 2.2 SHELL:
    - 80~120U" MATTER TIN PLAINING ALL
    - 50~80U" NICKEL UNDERPLATING OVERALL
3. SPECIFICATION:
  - 3.1 CURRENT RATING: 0.5A(2.3.4CONTACT)/1.8A (1.5CONTACT) MAX.
  - 3.2 VOLTAGE: 30 VAC
  - 3.3 TEMPERATURE RANGE: -30°C~85°C
  - 3.4 CONTACT RESISTANCE: 30 MILLIONHM MAX.
  - 3.5 DIELECTRIC WITHSTANDING VOLTAGE: 250VAC R.M.S
  - 3.6 INSULATION RESISTANCE: 100 MEGOHMS MIN



UNLESS OTHERWISE SPECIFIED TOLERANCES



东莞市汉博电子科技有限公司  
DONGGUAN HANBO TECHNOLOGY CO., LTD

DECIMALS: ANGLES:  
X ±0.35 X ±2°  
X.X ±0.25 X.X ±1°  
X.XX ±0.15

TITLE	MICRO USB 全贴壳长5.0卷边			
DWN	xiong	PART NO. MC-602-AJT		
CHKD	lee	SCALE: 1:1	UNIT: mm	REV: A4
APVD	wang	SIZE: A4	SHEET: 10F 1	REV: A4

CUSTOMER COPY