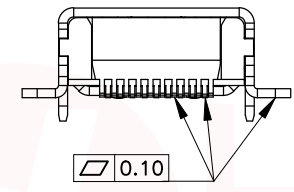
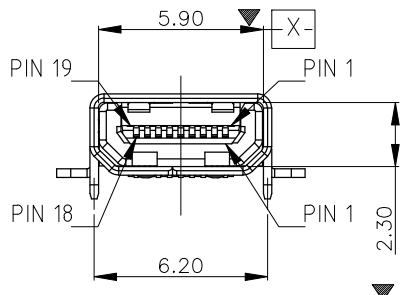
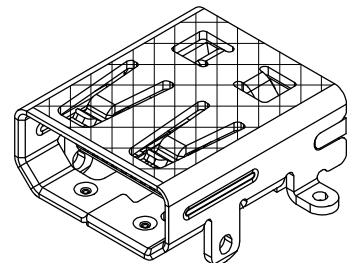
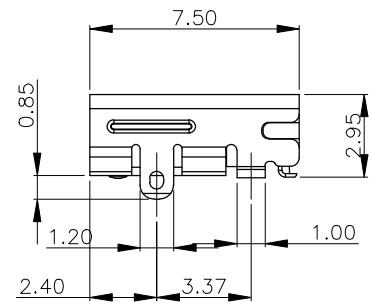
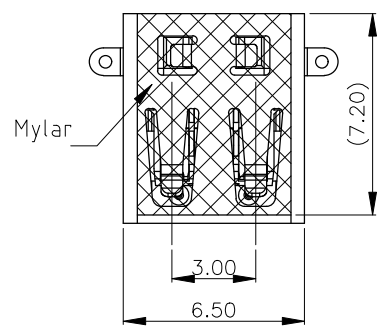
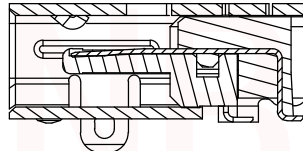




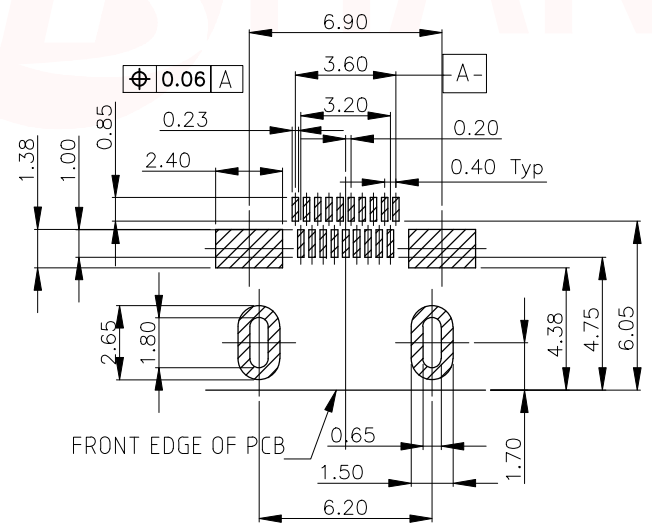
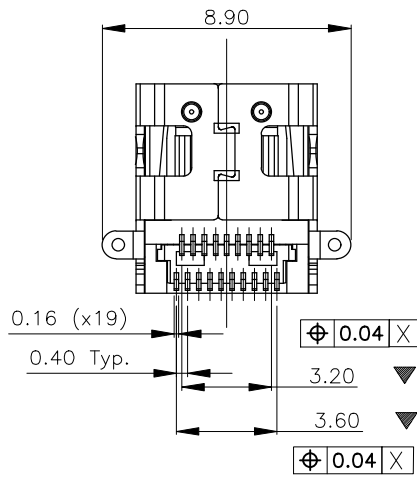
REV.	ECN NO OR DESCRIPTION	REVISED	DATE



(SHELL & TERMINAL)



- NOTES:
- RATING CURRENT: 0.3A Min.
 - RATING VOLTAGE: 40VAC
 - CONTACT RESISTANCE: 10mΩ Max. (EXCLUDING CONDUCTOR RESISTANCE)
 - INSULATION RESISTANCE:
 - UNMATED: 100MΩ Min AT 500 VDC.
 - MATED: 10MΩ Min AT 150 VDC.
 - DIELECTRIC WITHSTANDING VOLTAGE:
 - UNMATED: 250VAC FOR 60s.
 - MATED: 150VAC FOR 60s.
 - INSERTION FORCE: 44.1N Max.
 - WITHDRAWAL FORCE: 5N Min.(AFTER 5000 CYCLES 3N Min.), 25N Max.
 - DURABILITY: 5000 CYCLES
 - OPERATING TEMPERATURE: -20°C~+85°C
 - STORAGE TEMPERATURE: -20°C~+65°C



RECOMMENDED PCB LAYOUT TOP VIEW (TOL=±0.05)

PIN	Signal Assignment	PIN	Signal Assignment
1	Hot Plug Detect	2	Utility
3	TMDS Data2+	4	TMDS Data2 Shield
5	TMDS Data2-	6	TMDS Data1+
7	TMDS Data1 Shield	8	TMDS Data1-
9	TMDS Data0+	10	TMDS Data0 Shield
11	TMDS Data0-	12	TMDS Clock+
13	TMDS Clock Shield	14	TMDS Clock-
15	CEC	16	DDC/CEC Ground
17	SCL	18	SDA
19	+5V Power		

3	SHELL	1		BRASS C2680R-H T=0.30mm	80u" Nickel OVER 80u" Copper	
2	INSULATOR	1		LCP, BLACK	/	
1	TERMINAL	19		BRASS C2680R-H T=0.12mm	Selected Au OVER 50u" Nickel	
NO.	PART NAME	Q'TY	DWG NO.	PART NO.	MATERIAL	FINISHED

UNLESS OTHERWISE SPECIFIED TOLERANCES



东莞市汉博电子科技有限公司
DONGGUAN HANBO TECHNOLOGY CO., LTD

DECIMALS: ANGLES:
X :±0.35 X :±2°
X.X :±0.25 X.X :±1°
X.XX :±0.15

TITLE	HDMI D TYPE SMT NORMAL			
DWN	xiong	PART NO. HDMI-212		
CHKD	lee	SCALE:1:1	UNIT: mm	
APVD	wang	SIZE: A4	SHEET:10F 1	REV: A4

CUSTOMER COPY