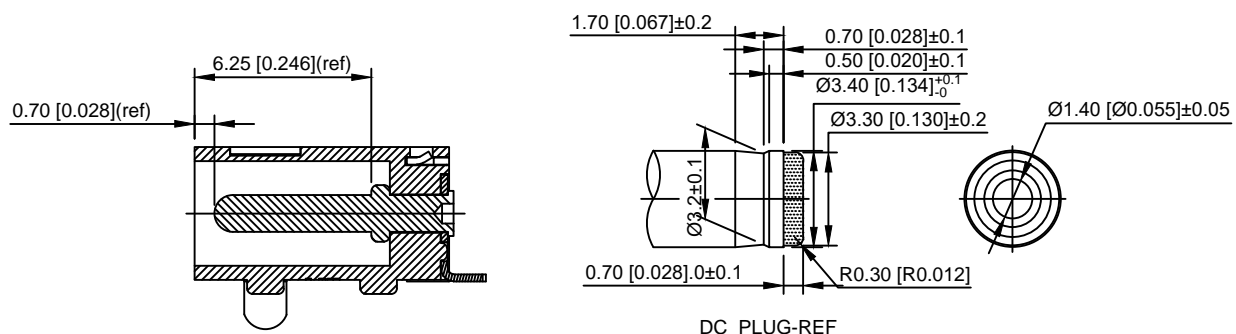


Recommend of PC Board Holes
Tolerance : ±0.05(Printed-Top view)

SCHEMATIC	
Model	DC-045A
Center Pin	Ø1.3 mm



	MATERIAL	PLATING
center pin	Brass	Ni
plastic	Pa9t	
terminal 1	Brass	silver
terminal 2	Sus	silver
terminal 3	Brass	silver
terminal 4	Brass	silver

DSND		DATE		SCALE: N/A	MODEL TYPE: DC POWER JACK
DWN		DATE		VIEW:	PART NO.:
CHKD		DATE		UNIT: mm/in	DWG NO.:
APPD		DATE		SIZE: A4	DC-045A-1.3
				XKB INDUSTRIAL PRECISION CO., LIMITED	WEIGHT 1.0g
					SHEET 1/1
					REVISION A0

MARK	DESCRIPTION	DATE	REVISED	APPROVED	UNSPECIFIED TOLERANCES
ΔX					ANGULAR ±5°
ΔX					L ≤ 4 ±0.2
ΔX					4 < L ≤ 16 ±0.3
					16 < L ≤ 63 ±0.4
					L > 63 ±0.5
REVISIONS					
www.xk-dg.cn www.helloxkb.com www.helloxkb.cn					