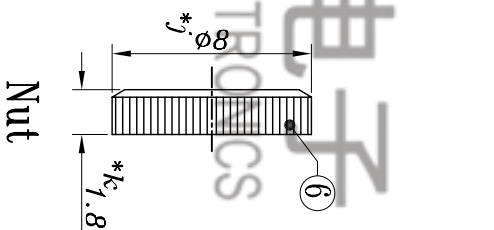
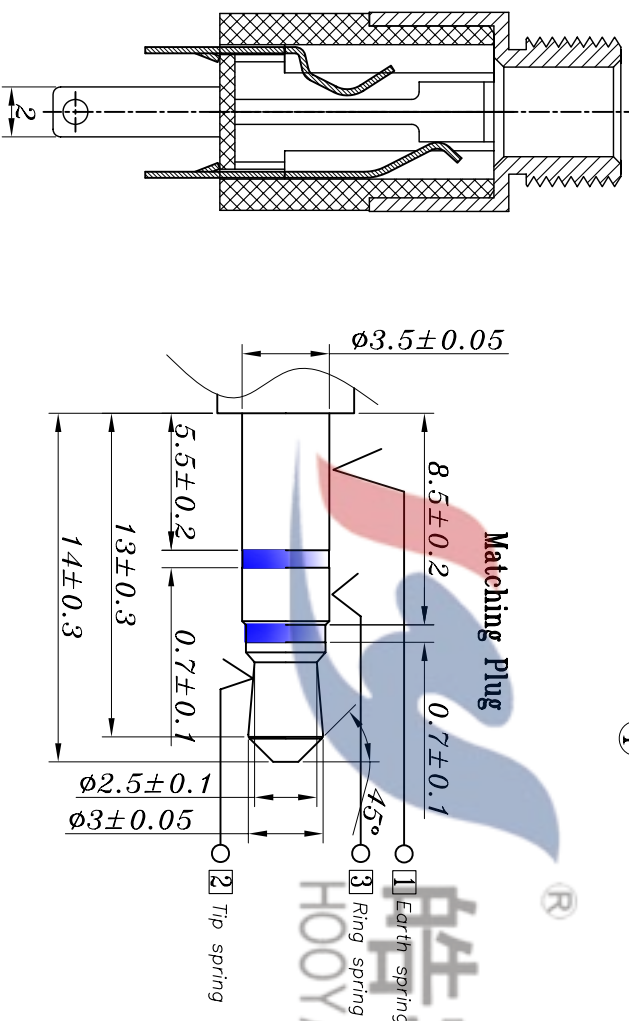
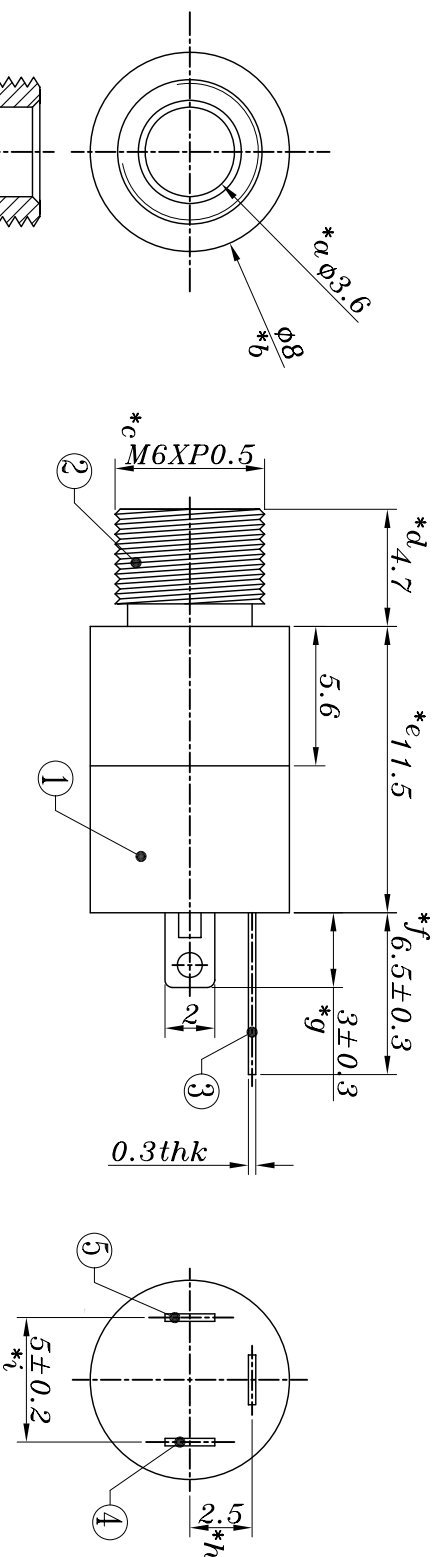
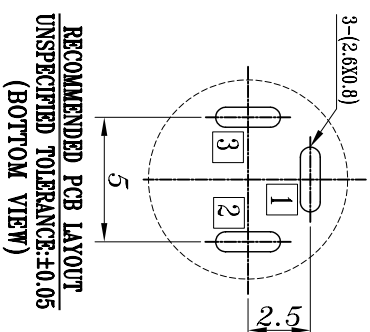


Model NO.	Pj-392M
SCHEMATIC	

Circuit Diagram Terminal No.



Nut



RECOMMENDED PCB LAYOUT
UNSPECIFIED TOLERANCE: ± 0.05
(BOTTOM VIEW)

NO.	PART	NAME	MATERIAL	QTY	FINISHING
6	NUT				
5	CONTACT FOOT	3	COPPER ALLOY	1	NI-PLATED
4	CONTACT FOOT	2	PHOSPHOR BRONZE	1	AG-PLATED
3	CONTACT FOOT	1	PHOSPHOR BRONZE	1	AG-PLATED
2	AXLE SLEEVE		BRASS	1	AG-PLATED
1	HOUSING		COPPER ALLOY	1	NI/AU-PLATED
			PBT	1	BLACK

TOLERANCE UNLESS SPECIFIED		ANGULAR		NO		DATE		REVISIONS	
UP TO 5mm: ± 0.1		$\pm 1^\circ$		1					
ABOVE 5mm: ± 0.2									

TITLE: PHONE JACK		UNIT : MM	ROHS COMPLIANT	DWN	BY	APPD
MODEL: Pj-392M		SCALE: 1:1		CHK'D		
				APPD		

HAOYU(HONGKONG)LIMITED		PRO.AGI:	REV: A0
皓宇(香港)有限公司			