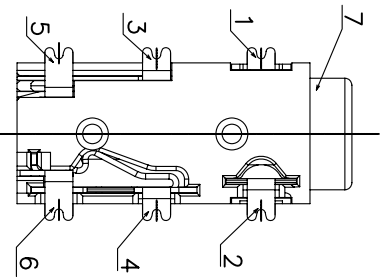
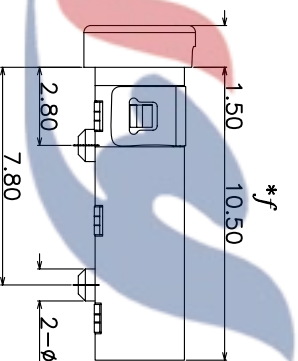
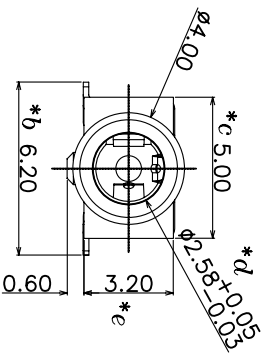
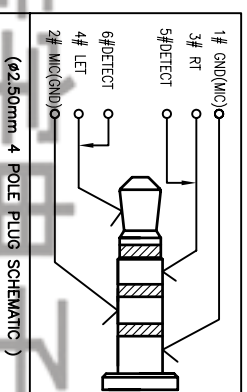


3D VIEW

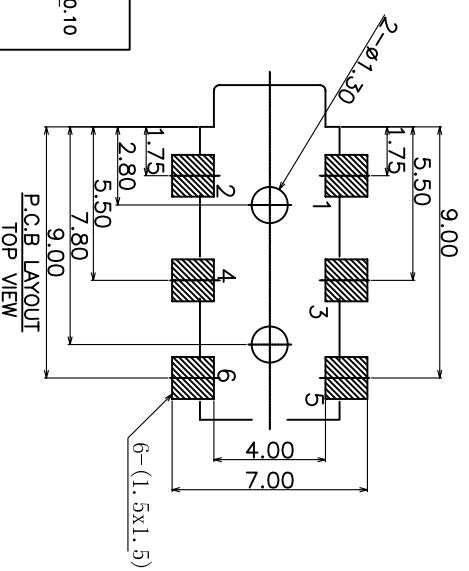


Pj-242	Pj-242-1	Pj-242-2	Pj-242-3

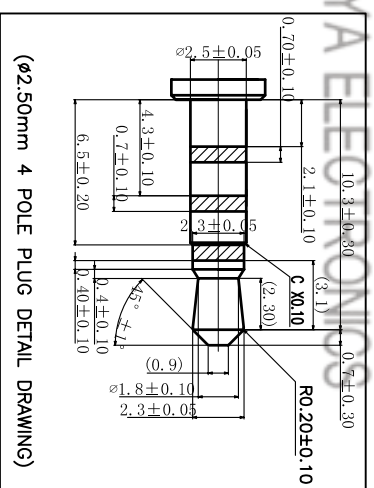
SCHEMATIC



(φ2.50mm 4 POLE PLUG SCHEMATIC)



P.C.B LAYOUT TOP VIEW



(φ2.50mm 4 POLE PLUG DETAIL DRAWING)

NO.	PART NAME	MATERIAL	QTY	FINISHING
7	HOUSING	PA9T	1	BLACK
6	6#SPRING	PHOSPHOR BRONZE	1	Au-Plated
5	5#SPRING	PHOSPHOR BRONZE	1	Au-Plated
4	4#CURVE PIECE	PHOSPHOR BRONZE	1	Au-Plated
3	3#CURVE PIECE	PHOSPHOR BRONZE	1	Au-Plated
2	2#SPRING	PHOSPHOR BRONZE	1	Au-Plated
1	1#CONTACT FOOT	PHOSPHOR BRONZE	1	Au-Plated

TOLERANCE UNLESS SPECIFIED		2	2021.5.6	更新图纸	WM
UP TO 5mm: ±0.1	ANGULAR	1	2020.12.4	更新图纸	WM
ABOVE 5mm: ±0.2		±1°			BY APPD
TITLE: PHONE JACK		UNIT : MM	SCALE: 1:1	ROHS COMPLIANT	DWN
MODEL: Pj-242				CHK'D	APPD



HAOYU(HONGKONG)LIMITED
皓宇(香港)有限公司

PRO.AGL:

REV :A2