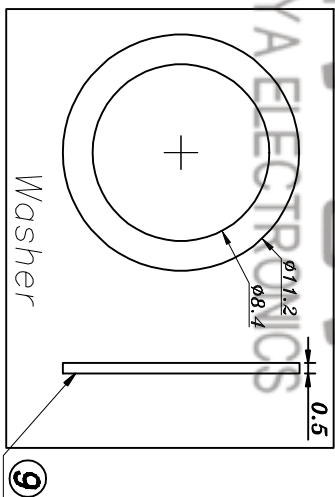
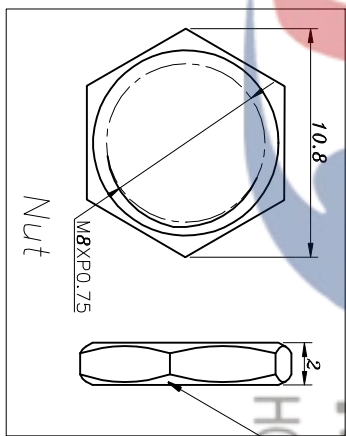
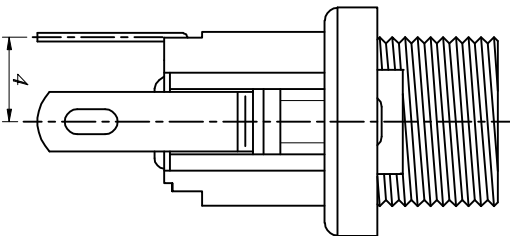
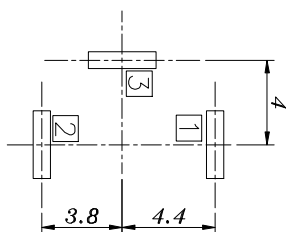
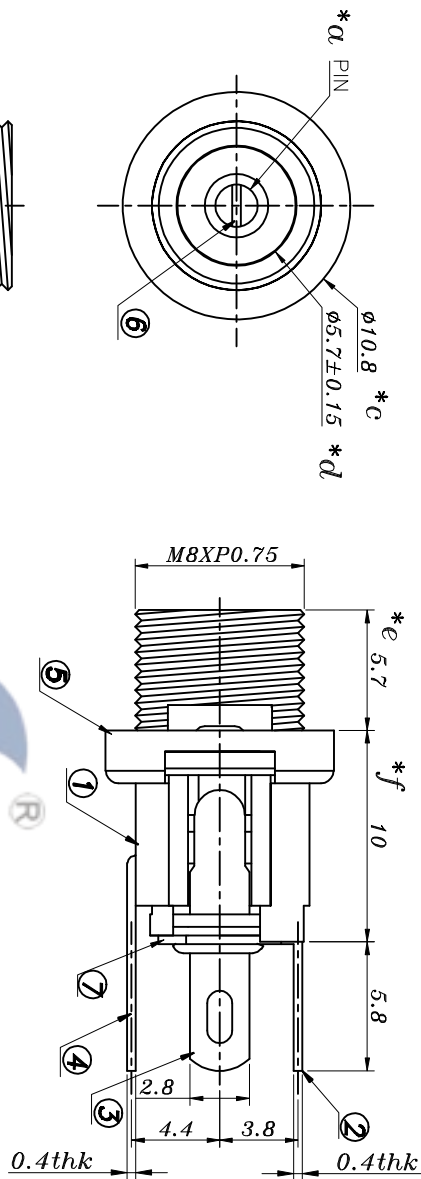


P.C.B Layout  
(Copper-sided view)



PIN	ø2.0	ø2.35	ø2.5
APPD.			

9	Washer-2	SPCC	1	Ni-Plating
8	Nut	Brass	1	Ni-Plating
7	Washer-1	Bakelite	2	
6	Pin	Bronze	1	Ni-Plating
5	Bushing	Brass	1	Ni-Plating
4	Shunt Terminal	Brass	1	Cu-Sn-Plating
3	Tip Spring	Phosphor bronze	1	Cu-Sn-Plating
2	Center pin terminal	Brass	1	Cu-Sn-Plating
1	Housing	PA66	1	Black
NO.	PART NAME	MATERIAL	QTY	FINISHING

TOLERANCE		UNLESS SPECIFIED	
A2	2019.4.26	A1	2016.9.5
UP TO 5mm: ±0.1		ANGULAR ±1°	
ABOVE 5mm: ±0.2		NO	DATE

TITLE: DC JACK

MODEL: DC-025M 缸板

UNIT: MM

SCALE: 1:1

ROHS COMPLIANT

DWN

CHK'D

REVISIONS

APPD

BY

APPD

XYZ

PWJ

APPD

APPD



HAOYU(HONGKONG)LIMITED  
皓宇(香港)有限公司

PRO.AGL: REV :A2