

## 1.8V-3.3V Low-Power Precision CMOS Oscillators

### Features

- Frequency Range: 1 MHz to 150 MHz
- Exceptional Stability over Temperature
  - $\pm 10$  ppm,  $\pm 20$  ppm,  $\pm 25$  ppm,  $\pm 50$  ppm
- Operating Voltage
  - 1.7 to 3.6V
- Operating Temperature Range
  - Ext. Industrial  $-40^{\circ}\text{C}$  to  $105^{\circ}\text{C}$
  - Industrial  $-40^{\circ}\text{C}$  to  $85^{\circ}\text{C}$
  - Commercial  $-20^{\circ}\text{C}$  to  $70^{\circ}\text{C}$
- Low Operating and Standby Current
  - 6 mA Operating (1 MHz)
  - 15  $\mu\text{A}$  Standby (Max.)
- Ultra Miniature Footprint
  - 2.5 mm x 2.0 mm x 0.85 mm
  - 3.2 mm x 2.5 mm x 0.85 mm
  - 5.0 mm x 3.2 mm x 0.85 mm
  - 7.0 mm x 5.0 mm x 0.85 mm
- MIL-STD 883 Shock and Vibration Resistant
- Pb Free, RoHS, Reach SVHC Compliant
- AEC-Q100 Reliability Qualified

### Applications

- Mobile Applications
- Consumer Electronics
- Portable Electronics
- DVR, CCTV, Surveillance Cameras
- Low Profile Applications
- Industrial Applications

### Benefits

- Pin for Pin “Drop-In” Replacement for Industry Standard Oscillators
- Semiconductor Level Reliability, Significantly Higher than Quartz
- Short Mass Production Lead Times
- Longer Battery Life/Reduced Power Consumption
- Compact Plastic Package
- Cost Effective

### General Description

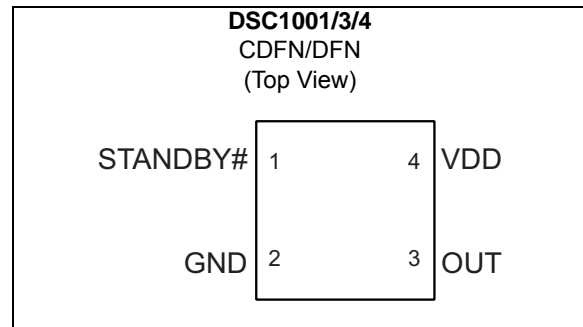
The DSC1001/3/4 is a silicon MEMS based CMOS family of oscillators that offers excellent jitter and stability performance over a wide range of supply voltages and temperatures. The device operates from 1 MHz to 150 MHz with supply voltages between 1.8 to 3.3 volts and temperature ranges up to  $-40^{\circ}\text{C}$  to  $105^{\circ}\text{C}$ .

The DSC1001/3/4 incorporate an all silicon resonator that is extremely robust and nearly immune to stress related fractures, common to crystal based oscillators. Without sacrificing the performance and stability required of today’s systems, a crystal-less design allows for a higher level of reliability, making the DSC1001/3/4 ideal for rugged, industrial, and portable applications where stress, shock, and vibration can damage quartz crystal based systems.

Available in industry standard packages, the DSC1001/3/4 can be “dropped-in” to the same PCB footprint as standard crystal oscillators.

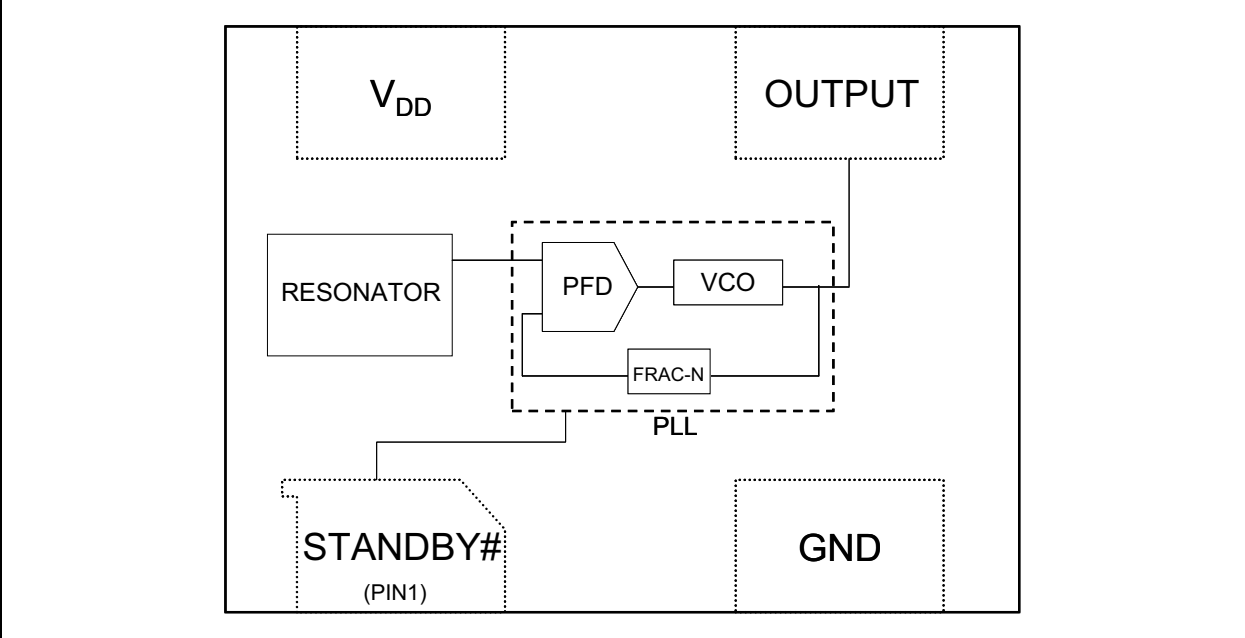
The DSC1003 and DSC1004 have the same functionality and performance as the DSC1001, but feature higher output drives of 25 pF and 40 pF, respectively.

### Package Types



# DSC1001/3/4

## Block Diagram



## 1.0 ELECTRICAL CHARACTERISTICS

### Absolute Maximum Ratings †

Input Voltage ( $V_{IN}$ ) ..... -0.3V to  $V_{DD} + 0.3V$   
 ESD Protection ..... 4 kV HBM,  $\pm 200V$  MM, 1.5 kV CDM

### Recommended Operating Conditions

Supply Voltage ( $V_{DD}$ ) ..... +1.7V to +3.6V  
 Output Load ( $Z_L$ ) .....  $R > 10\text{ k}\Omega$ ,  $C \leq 15\text{ pF}$

† **Notice:** Stresses above those listed under “Absolute Maximum Ratings” may cause permanent damage to the device. This is a stress rating only and functional operation of the device at those or any other conditions above those indicated in the operational sections of this specification is not intended. Exposure to maximum rating conditions for extended periods may affect device reliability.

**TABLE 1-1: DC CHARACTERISTICS**

**Electrical Characteristics:**  $V_{DD} = 1.8$  to  $3.3V$ ;  $T_A = +85^\circ C$  unless otherwise specified.

| Parameters                        | Sym.       | Min.                 | Typ. | Max.                 | Units   | Conditions   |
|-----------------------------------|------------|----------------------|------|----------------------|---------|--|
| Frequency                         | $F_0$      | 1                    | —    | 150                  | MHz     | Single Frequency   |
| Frequency Tolerance               | $\Delta f$ | —                    | —    | $\pm 10$             | ppm     | Includes frequency variations due to initial tolerance, temperature and power supply voltage |
|                                   |            | —                    | —    | $\pm 20$             |         |  |
|                                   |            | —                    | —    | $\pm 25$             |         |  |
|                                   |            | —                    | —    | $\pm 50$             |         |  |
| Aging                             | $\Delta f$ | —                    | —    | $\pm 5$              | ppm     | 1 year @ $+25^\circ C$   |
| Supply Current, Standby           | $I_{DD}$   | —                    | —    | 15                   | $\mu A$ | $T = +25^\circ C$  |
| Output Startup Time (Note 1)      | $t_{SU}$   | —                    | 1.0  | 1.3                  | ms      | $T = +25^\circ C$  |
| Output Disable Time               | $t_{DA}$   | —                    | 20   | 100                  | ns      | —  |
| Output Duty Cycle                 | SYM        | 45                   | —    | 55                   | %       | —  |
| Input Logic Level High            | $V_{IH}$   | $0.75 \times V_{DD}$ | —    | —                    | V       | —  |
| Input Logic Level Low             | $V_{IL}$   | —                    | —    | $0.25 \times V_{DD}$ | V       | —  |
| <b><math>V_{DD} = 1.8V</math></b> |            |                      |      |                      |         |  |
| Supply Current, No Load           | $I_{DD}$   | —                    | 6.0  | 6.3                  | mA      | 1 MHz  |
|                                   |            | —                    | 6.5  | 7.1                  |         | 27 MHz   |
|                                   |            | —                    | 7.2  | 8.5                  |         | 70 MHz   |
|                                   |            | —                    | 8.3  | 11.9                 |         | 150 MHz  |
| Output Logic Level High           | $V_{OH}$   | $0.8 \times V_{DD}$  | —    | —                    | V       | -6 mA, DSC1004, $C_L = 40\text{ pF}$   |
|                                   |            | $0.8 \times V_{DD}$  | —    | —                    |         | -6 mA, DSC1003, $C_L = 25\text{ pF}$   |
|                                   |            | $0.8 \times V_{DD}$  | —    | —                    |         | -4 mA, DSC1001, $C_L = 15\text{ pF}$   |
| Output Logic Level Low            | $V_{OL}$   | —                    | —    | $0.2 \times V_{DD}$  | V       | 6 mA, DSC1004, $C_L = 40\text{ pF}$  |
|                                   |            | —                    | —    | $0.2 \times V_{DD}$  |         | 6 mA, DSC1003, $C_L = 25\text{ pF}$  |
|                                   |            | —                    | —    | $0.2 \times V_{DD}$  |         | 4 mA, DSC1001, $C_L = 15\text{ pF}$  |

**Note 1:**  $t_{SU}$  is time to stable output frequency after  $V_{DD}$  is applied.  $t_{SU}$  and  $t_{EN}$  (after EN is asserted) are identical values.

**2:** Measured over 50k clock cycles.

# DSC1001/3/4

**TABLE 1-1: DC CHARACTERISTICS (CONTINUED)**

**Electrical Characteristics:**  $V_{DD} = 1.8$  to  $3.3V$ ;  $T_A = +85^\circ C$  unless otherwise specified.

| Parameters                        | Sym.     | Min.                | Typ. | Max.                | Units      | Conditions                    |
|-----------------------------------|----------|---------------------|------|---------------------|------------|-------------------------------|
| Output Transition Rise Time       | $t_R$    | —                   | 1.4  | 3.0                 | ns         | DSC1001, $C_L = 15$ pF        |
|                                   |          | —                   | 1.5  | 3.0                 |            | DSC1003, $C_L = 25$ pF        |
|                                   |          | —                   | 1.8  | 3.0                 |            | DSC1004, $C_2 = 40$ pF        |
| Output Transition Fall Time       | $t_F$    | —                   | 1.0  | 3.0                 | ns         | DSC1001, $C_L = 15$ pF        |
|                                   |          | —                   | 1.1  | 3.0                 |            | DSC1003, $C_L = 25$ pF        |
|                                   |          | —                   | 1.2  | 3.0                 |            | DSC1004, $C_2 = 40$ pF        |
| Jitter, Max. Cycle-to-Cycle       | $J_{CC}$ | —                   | 60   | —                   | ps         | $f = 100$ MHz (Note 2)        |
| Period Jitter                     | $J_P$    | —                   | 10   | 15                  | $ps_{RMS}$ | $f = 100$ MHz (Note 2)        |
| <b><math>V_{DD} = 2.5V</math></b> |          |                     |      |                     |            |                               |
| Supply Current, No Load           | $I_{DD}$ | —                   | 6.0  | 6.4                 | mA         | 1 MHz                         |
|                                   |          | —                   | 6.7  | 7.5                 |            | 27 MHz                        |
|                                   |          | —                   | 7.7  | 9.4                 |            | 70 MHz                        |
|                                   |          | —                   | 9.6  | 13.9                |            | 150 MHz                       |
| Output Logic Level High           | $V_{OH}$ | $0.9 \times V_{DD}$ | —    | —                   | V          | -6 mA, DSC1004, $C_L = 40$ pF |
|                                   |          | $0.8 \times V_{DD}$ | —    | —                   |            | -6 mA, DSC1003, $C_L = 25$ pF |
|                                   |          | $0.8 \times V_{DD}$ | —    | —                   |            | -4 mA, DSC1001, $C_L = 15$ pF |
| Output Logic Level Low            | $V_{OL}$ | —                   | —    | $0.1 \times V_{DD}$ | V          | 6 mA, DSC1004, $C_L = 40$ pF  |
|                                   |          | —                   | —    | $0.2 \times V_{DD}$ |            | 6 mA, DSC1003, $C_L = 25$ pF  |
|                                   |          | —                   | —    | $0.2 \times V_{DD}$ |            | 4 mA, DSC1001, $C_L = 15$ pF  |
| Output Transition Rise Time       | $t_R$    | —                   | 1.0  | 2.0                 | ns         | DSC1001, $C_L = 15$ pF        |
|                                   |          | —                   | 1.1  | 2.0                 |            | DSC1003, $C_L = 25$ pF        |
|                                   |          | —                   | 1.2  | 2.0                 |            | DSC1004, $C_2 = 40$ pF        |
| Output Transition Fall Time       | $t_F$    | —                   | 0.9  | 2.0                 | ns         | DSC1001, $C_L = 15$ pF        |
|                                   |          | —                   | 1.0  | 2.0                 |            | DSC1003, $C_L = 25$ pF        |
|                                   |          | —                   | 1.1  | 2.0                 |            | DSC1004, $C_2 = 40$ pF        |

**Note 1:**  $t_{SU}$  is time to stable output frequency after  $V_{DD}$  is applied.  $t_{SU}$  and  $t_{EN}$  (after EN is asserted) are identical values.

**2:** Measured over 50k clock cycles.

**TABLE 1-1: DC CHARACTERISTICS (CONTINUED)**
**Electrical Characteristics:**  $V_{DD} = 1.8$  to  $3.3V$ ;  $T_A = +85^\circ C$  unless otherwise specified.

| Parameters                                       | Sym.     | Min.                | Typ. | Max.                | Units      | Conditions                    |
|--|----------|---------------------|------|---------------------|------------|-------------------------------|
| Jitter, Max. Cycle-to-Cycle                      | $J_{CC}$ | —                   | 50   | —                   | ps         | $f = 100$ MHz (Note 2)        |
| Period Jitter                                    | $J_P$    | —                   | 5    | 10                  | $ps_{RMS}$ | $f = 100$ MHz (Note 2)        |
| <b><math>V_{DD} = 3.3V</math></b>                |          |                     |      |                     |            |                               |
| Supply Current, No Load                          | $I_{DD}$ | —                   | 6.0  | 6.5                 | mA         | 1 MHz                         |
|  |          | —                   | 6.8  | 8.0                 |            | 27 MHz                        |
|  |          | —                   | 8.2  | 10.5                |            | 70 MHz                        |
|  |          | —                   | 10.8 | 16.6                |            | 150 MHz                       |
| $C_L = 0$ pF, $R_L = \infty$ , $T = +25^\circ C$ |          |                     |      |                     |            |                               |
| Output Logic Level High                          | $V_{OH}$ | $0.9 \times V_{DD}$ | —    | —                   | V          | –8 mA, DSC1004, $C_L = 40$ pF |
|  |          | $0.9 \times V_{DD}$ | —    | —                   |            | –6 mA, DSC1003, $C_L = 25$ pF |
|  |          | $0.8 \times V_{DD}$ | —    | —                   |            | –4 mA, DSC1001, $C_L = 15$ pF |
| Output Logic Level Low                           | $V_{OL}$ | —                   | —    | $0.1 \times V_{DD}$ | V          | 8 mA, DSC1004, $C_L = 40$ pF  |
|  |          | —                   | —    | $0.1 \times V_{DD}$ |            | 6 mA, DSC1003, $C_L = 25$ pF  |
|  |          | —                   | —    | $0.2 \times V_{DD}$ |            | 4 mA, DSC1001, $C_L = 15$ pF  |
| Output Transition Rise Time                      | $t_R$    | —                   | 1.0  | 2.0                 | ns         | DSC1001, $C_L = 15$ pF        |
|  |          | —                   | 1.1  | 2.0                 |            | DSC1003, $C_L = 25$ pF        |
|  |          | —                   | 1.2  | 2.0                 |            | DSC1004, $C_2 = 40$ pF        |
| $T = +25^\circ C$ , 20% to 80%                   |          |                     |      |                     |            |                               |
| Output Transition Fall Time                      | $t_F$    | —                   | 0.9  | 2.0                 | ns         | DSC1001, $C_L = 15$ pF        |
|  |          | —                   | 1.0  | 2.0                 |            | DSC1003, $C_L = 25$ pF        |
|  |          | —                   | 1.1  | 2.0                 |            | DSC1004, $C_2 = 40$ pF        |
| $T = +25^\circ C$ , 20% to 80%                   |          |                     |      |                     |            |                               |
| Jitter, Max. Cycle-to-Cycle                      | $J_{CC}$ | —                   | 50   | —                   | ps         | $f = 100$ MHz (Note 2)        |
| Period Jitter                                    | $J_P$    | —                   | 5    | 10                  | $ps_{RMS}$ | $f = 100$ MHz (Note 2)        |

**Note 1:**  $t_{SU}$  is time to stable output frequency after  $V_{DD}$  is applied.  $t_{SU}$  and  $t_{EN}$  (after EN is asserted) are identical values.

**2:** Measured over 50k clock cycles.

# DSC1001/3/4

## TEMPERATURE SPECIFICATIONS (Note 1)

| Parameters                      | Sym.           | Min. | Typ. | Max. | Units | Conditions        |
|---------------------------------|----------------|------|------|------|-------|-------------------|
| <b>Temperature Ranges</b>       |                |      |      |      |       |                   |
| Operating Temperature Range (T) | T <sub>A</sub> | -40  | —    | +105 | °C    | Ordering Option L |
|                                 |                | -40  | —    | +85  | °C    | Ordering Option I |
|                                 |                | -20  | —    | +70  | °C    | Ordering Option E |
| Junction Operating Temperature  | T <sub>J</sub> | —    | —    | +150 | °C    | —                 |
| Storage Temperature Range       | T <sub>A</sub> | -55  | —    | +150 | °C    | —                 |
| Soldering Temperature Range     | T <sub>S</sub> | —    | —    | +260 | °C    | 40 sec. max       |

**Note 1:** The maximum allowable power dissipation is a function of ambient temperature, the maximum allowable junction temperature and the thermal resistance from junction to air (i.e., T<sub>A</sub>, T<sub>J</sub>, θ<sub>JA</sub>). Exceeding the maximum allowable power dissipation will cause the device operating junction temperature to exceed the maximum +150°C rating. Sustained junction temperatures above +150°C can impact the device reliability.

## 2.0 PIN DESCRIPTIONS

The descriptions of the pins are listed in [Table 2-1](#) and [Table 2-2](#).

**TABLE 2-1: CDFN PACKAGE PIN FUNCTION TABLE**

| Pin Number | Symbol   | Description   |
|------------|----------|---|
| 1          | STANDBY# | Standby input ( <b>Section 4.1 “Standby Function”</b> ) |
| 2          | GND      | Power supply ground                                     |
| 3          | OUT      | Oscillator output                                       |
| 4          | VDD      | Positive power supply                                   |

**TABLE 2-2: DFN PACKAGE PIN FUNCTION TABLE**

| Pin Number | Symbol   | Description   |
|------------|----------|---|
| 1          | STANDBY# | Standby input ( <b>Section 4.1 “Standby Function”</b> ) |
| 2          | GND      | Power supply ground                                     |
| 3          | OUT      | Oscillator output                                       |
| 4          | VDD      | Positive power supply                                   |
| Center Pad | NC       | Tie to GND or do not connect.                           |

# DSC1001/3/4

## 3.0 NOMINAL PERFORMANCE CHARACTERISTICS

**Note:** The graphs and tables provided following this note are a statistical summary based on a limited number of samples and are provided for informational purposes only. The performance characteristics listed herein are not tested or guaranteed. In some graphs or tables, the data presented may be outside the specified operating range (e.g., outside specified power supply range) and therefore outside the warranted range.



FIGURE 3-1: Supply Current.



FIGURE 3-4: Supply Current.



FIGURE 3-2: Rise Time.



FIGURE 3-5: Fall Time.



FIGURE 3-3: Rise Time.



FIGURE 3-6: Fall Time.



## 4.0 OUTPUT WAVEFORM



**FIGURE 4-1:** Output Waveform.

## 4.1 Standby Function

| Standby# (Pin 1)  | Output (Pin 3) |
|-------------------|----------------|
| High Level        | Output ON      |
| Open (no connect) | Output ON      |
| Low Level         | High Impedance |

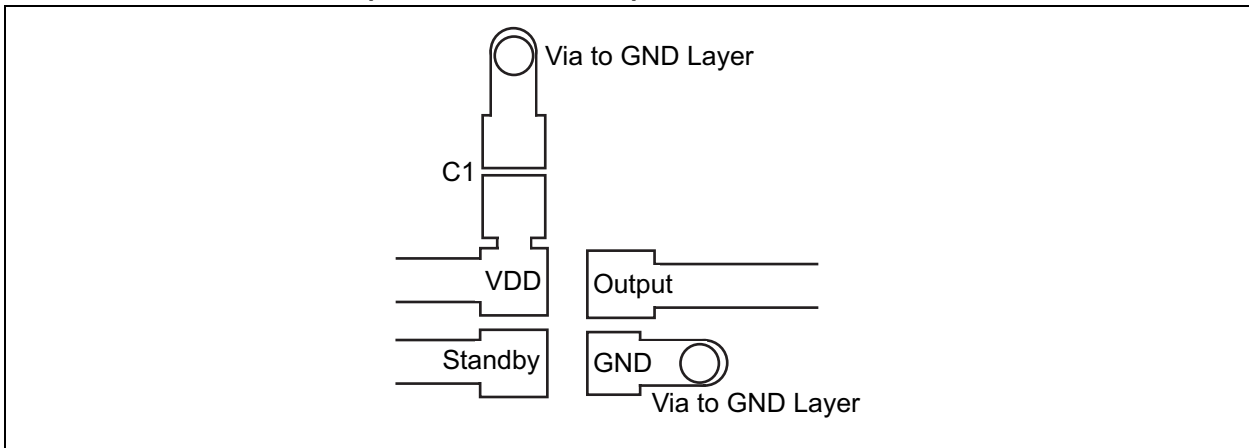
# DSC1001/3/4

## 5.0 TEST CIRCUIT



FIGURE 5-1: DSC1001/3/4 Test Circuit.

## 6.0 BOARD LAYOUT (RECOMMENDED)



**FIGURE 6-1:** Recommended Board Layout for DSC1001/3/4.

# DSC1001/3/4

## 7.0 SOLDER REFLOW PROFILE



**FIGURE 7-1:** Solder Reflow Profile.

| MSL 1 @ 260°C refer to JSTD-020C  |                |
|-----------------------------------|----------------|
| Ramp-Up Rate (200°C to Peak Temp) | 3°C/sec. max.  |
| Preheat Time 150°C to 200°C       | 60 to 180 sec. |
| Time maintained above 217°C       | 60 to 150 sec. |
| Peak Temperature                  | 255°C to 260°C |
| Time within 5°C of Actual Peak    | 20 to 40 sec.  |
| Ramp-Down Rate                    | 6°C/sec. max.  |
| Time 25°C to Peak Temperature     | 8 minutes max. |

## 8.0 PACKAGING INFORMATION

### 8.1 Package Marking Information

4-Lead CDFN/DFN\*



Example



|                |  |  |
|----------------|--|--|
| <b>Legend:</b> | XX...X   | Product code, customer-specific information, or frequency in MHz without printed decimal point                     |
|                | Y  | Year code (last digit of calendar year)  |
|                | YY   | Year code (last 2 digits of calendar year)   |
|                | WW   | Week code (week of January 1 is week '01')   |
|                | NNN  | Alphanumeric traceability code   |
|                | (e3)   | Pb-free JEDEC® designator for Matte Tin (Sn)   |
|                | * (e3)   | This package is Pb-free. The Pb-free JEDEC designator ((e3)) can be found on the outer packaging for this package. |
|                | •, ▲, ▼  | Pin one index is identified by a dot, delta up, or delta down (triangle mark).                                     |
| <b>Note:</b>   | In the event the full Microchip part number cannot be marked on one line, it will be carried over to the next line, thus limiting the number of available characters for customer-specific information. Package may or may not include the corporate logo. |  |
|                | Underbar ( _ ) and/or Overbar ( ¯ ) symbol may not be to scale.  |  |

# DSC1001/3/4

## 4-Lead DFN 7.0 mm x 5.0 mm Package Outline & Recommended Land Pattern



**NOTE:**

- 1. Green shaded rectangles in Recommended Land Pattern are solder stencil opening.
- 2. Red shaded rectangle in Recommended Land Pattern is keep out area.

Note: For the most current package drawings, please see the Microchip Packaging Specification located at <http://www.microchip.com/packaging>.

## 4-Lead CDFN 5.0 mm x 3.2 mm Package Outline & Recommended Land Pattern

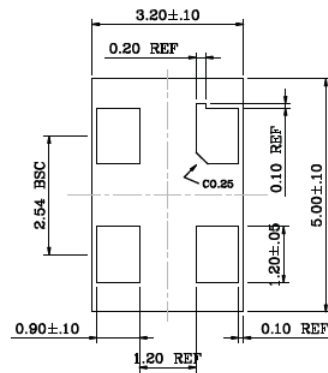
**TITLE**

4 LEAD CDFN 5.0x3.2mm COL PACKAGE OUTLINE & RECOMMENDED LAND PATTERN

| DRAWING # | CDFN5032-4LD-PL-1 | UNIT | MM |
|-----------|-------------------|------|----|
|-----------|-------------------|------|----|



Top View



Bottom View



Side View



Recommended Land Pattern

**NOTE:**

1. Green shaded rectangles in Recommended Land Pattern are solder stencil opening.

Note: For the most current package drawings, please see the Microchip Packaging Specification located at <http://www.microchip.com/packaging>.

# DSC1001/3/4

## 4-Lead CDFN 3.2 mm x 2.5 mm Package Outline & Recommended Land Pattern

**TITLE**

4 LEAD CDFN 3.2x2.5mm COL PACKAGE OUTLINE & RECOMMENDED LAND PATTERN

|                  |                   |             |    |
|------------------|-------------------|-------------|----|
| <b>DRAWING #</b> | CDFN3225-4LD-PL-1 | <b>UNIT</b> | MM |
|------------------|-------------------|-------------|----|



Top View



Bottom View



Side View



Recommended Land Pattern

**NOTE:**

- Green shaded rectangles in Recommended Land Pattern are solder stencil opening.

Note: For the most current package drawings, please see the Microchip Packaging Specification located at <http://www.microchip.com/packaging>.

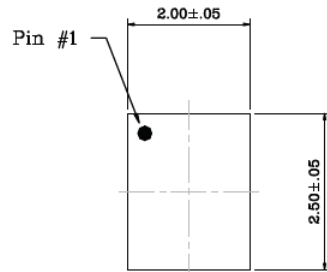


## 4-Lead CDFN 2.5 mm x 2.0 mm Package Outline & Recommended Land Pattern

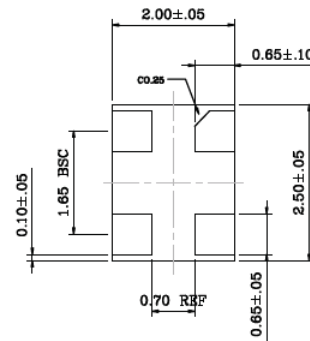
**TITLE**

4 LEAD CDFN 2.5x2.0mm COL PACKAGE OUTLINE & RECOMMENDED LAND PATTERN

| DRAWING # | CDFN2520-4LD-PL-1 | UNIT | MM |
|-----------|-------------------|------|----|
|-----------|-------------------|------|----|



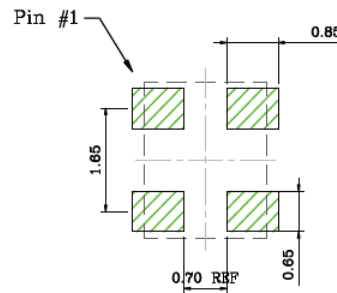
Top View



Bottom View



Side View



Recommended Land Pattern

**NOTE:**

- Green shaded rectangles in Recommended Land Pattern are solder stencil opening.

Note: For the most current package drawings, please see the Microchip Packaging Specification located at <http://www.microchip.com/packaging>.

# DSC1001/3/4

---

NOTES:

## APPENDIX A: REVISION HISTORY

### Revision A (September 2017)

- Converted Micrel data sheet DSC1001 to Microchip format data sheet DS20005529A.
- Minor text changes throughout.
- Added [Table 2-2](#) for DFN package.
- Combined Micrel data sheet DSC1003 and DSC1004 into this data sheet.
  - Updated **Section 1.0 “Electrical Characteristics”** to reflect this change.
  - Updated [General Description](#) and [Features](#) to reflect this change.

### Revision B (November 2017)

- Updated  $V_{OH}$  and  $V_{OL}$  values in [Table 1-1](#).

# DSC1001/3/4

---

NOTES:

## PRODUCT IDENTIFICATION SYSTEM

To order or obtain information, e.g., on pricing or delivery, contact your local Microchip representative or sales office.

| <u>PART NO.</u>   | X  | X                 | X                                     | -XXX.XXXX | X       |                |  |  |  |  |  |                 |   |   |                            |  |  |  |   |   |                             |  |  |  |   |   |                             |  |  |  |   |   |                             |  |  |                           |   |   |                                      |  |  |  |   |   |                             |  |  |  |   |   |                                       |  |  |                   |   |   |        |  |  |  |   |   |        |  |  |  |   |   |         |  |  |  |   |   |         |  |  |                   |          |   |                                 |  |  |                        |         |   |          |  |  |  |   |   |            |  |  |
|---|--|-------------------|---------------------------------------|-----------|---------|----------------|--|--|--|--|--|-----------------|---|---|----------------------------|--|--|--|---|---|-----------------------------|--|--|--|---|---|-----------------------------|--|--|--|---|---|-----------------------------|--|--|---------------------------|---|---|--------------------------------------|--|--|--|---|---|-----------------------------|--|--|--|---|---|---------------------------------------|--|--|-------------------|---|---|--------|--|--|--|---|---|--------|--|--|--|---|---|---------|--|--|--|---|---|---------|--|--|-------------------|----------|---|---------------------------------|--|--|------------------------|---------|---|----------|--|--|--|---|---|------------|--|--|
| Device  | Package  | Temperature Range | Stability                             | Frequency | Package |                |  |  |  |  |  |                 |   |   |                            |  |  |  |   |   |                             |  |  |  |   |   |                             |  |  |  |   |   |                             |  |  |                           |   |   |                                      |  |  |  |   |   |                             |  |  |  |   |   |                                       |  |  |                   |   |   |        |  |  |  |   |   |        |  |  |  |   |   |         |  |  |  |   |   |         |  |  |                   |          |   |                                 |  |  |                        |         |   |          |  |  |  |   |   |            |  |  |
| <table border="1" style="width: 100%; border-collapse: collapse;"> <tr> <td style="width: 15%;"><b>Device:</b></td> <td colspan="5">DSC1001/3/4: 1.8V - 3.3V Low-Power Precision CMOS Oscillator</td> </tr> <tr> <td><b>Package:</b></td> <td>A</td> <td>=</td> <td colspan="3">4-Lead 7.0 mm x 5.0 mm DFN</td> </tr> <tr> <td></td> <td>B</td> <td>=</td> <td colspan="3">4-Lead 5.0 mm x 3.2 mm CDFN</td> </tr> <tr> <td></td> <td>C</td> <td>=</td> <td colspan="3">4-Lead 3.2 mm x 2.5 mm CDFN</td> </tr> <tr> <td></td> <td>D</td> <td>=</td> <td colspan="3">4-Lead 2.5 mm x 2.0 mm CDFN</td> </tr> <tr> <td><b>Temperature Range:</b></td> <td>E</td> <td>=</td> <td colspan="3">-20°C to +70°C (Extended Commercial)</td> </tr> <tr> <td></td> <td>I</td> <td>=</td> <td colspan="3">-40°C to +85°C (Industrial)</td> </tr> <tr> <td></td> <td>L</td> <td>=</td> <td colspan="3">-40°C to +105°C (Extended Industrial)</td> </tr> <tr> <td><b>Stability:</b></td> <td>1</td> <td>=</td> <td colspan="3">±50ppm</td> </tr> <tr> <td></td> <td>2</td> <td>=</td> <td colspan="3">±25ppm</td> </tr> <tr> <td></td> <td>3</td> <td>=</td> <td colspan="3">±20 ppm</td> </tr> <tr> <td></td> <td>5</td> <td>=</td> <td colspan="3">±10 ppm</td> </tr> <tr> <td><b>Frequency:</b></td> <td>xxx.xxxx</td> <td>=</td> <td colspan="3">1 MHz to 150 MHz (user-defined)</td> </tr> <tr> <td><b>Packing Option:</b></td> <td>&lt;blank&gt;</td> <td>=</td> <td colspan="3">110/Tube</td> </tr> <tr> <td></td> <td>T</td> <td>=</td> <td colspan="3">1,000/Reel</td> </tr> </table> |  |                   |                                       |           |         | <b>Device:</b> | DSC1001/3/4: 1.8V - 3.3V Low-Power Precision CMOS Oscillator |  |  |  |  | <b>Package:</b> | A | = | 4-Lead 7.0 mm x 5.0 mm DFN |  |  |  | B | = | 4-Lead 5.0 mm x 3.2 mm CDFN |  |  |  | C | = | 4-Lead 3.2 mm x 2.5 mm CDFN |  |  |  | D | = | 4-Lead 2.5 mm x 2.0 mm CDFN |  |  | <b>Temperature Range:</b> | E | = | -20°C to +70°C (Extended Commercial) |  |  |  | I | = | -40°C to +85°C (Industrial) |  |  |  | L | = | -40°C to +105°C (Extended Industrial) |  |  | <b>Stability:</b> | 1 | = | ±50ppm |  |  |  | 2 | = | ±25ppm |  |  |  | 3 | = | ±20 ppm |  |  |  | 5 | = | ±10 ppm |  |  | <b>Frequency:</b> | xxx.xxxx | = | 1 MHz to 150 MHz (user-defined) |  |  | <b>Packing Option:</b> | <blank> | = | 110/Tube |  |  |  | T | = | 1,000/Reel |  |  |
| <b>Device:</b>  | DSC1001/3/4: 1.8V - 3.3V Low-Power Precision CMOS Oscillator |                   |                                       |           |         |                |  |  |  |  |  |                 |   |   |                            |  |  |  |   |   |                             |  |  |  |   |   |                             |  |  |  |   |   |                             |  |  |                           |   |   |                                      |  |  |  |   |   |                             |  |  |  |   |   |                                       |  |  |                   |   |   |        |  |  |  |   |   |        |  |  |  |   |   |         |  |  |  |   |   |         |  |  |                   |          |   |                                 |  |  |                        |         |   |          |  |  |  |   |   |            |  |  |
| <b>Package:</b>   | A  | =                 | 4-Lead 7.0 mm x 5.0 mm DFN            |           |         |                |  |  |  |  |  |                 |   |   |                            |  |  |  |   |   |                             |  |  |  |   |   |                             |  |  |  |   |   |                             |  |  |                           |   |   |                                      |  |  |  |   |   |                             |  |  |  |   |   |                                       |  |  |                   |   |   |        |  |  |  |   |   |        |  |  |  |   |   |         |  |  |  |   |   |         |  |  |                   |          |   |                                 |  |  |                        |         |   |          |  |  |  |   |   |            |  |  |
|   | B  | =                 | 4-Lead 5.0 mm x 3.2 mm CDFN           |           |         |                |  |  |  |  |  |                 |   |   |                            |  |  |  |   |   |                             |  |  |  |   |   |                             |  |  |  |   |   |                             |  |  |                           |   |   |                                      |  |  |  |   |   |                             |  |  |  |   |   |                                       |  |  |                   |   |   |        |  |  |  |   |   |        |  |  |  |   |   |         |  |  |  |   |   |         |  |  |                   |          |   |                                 |  |  |                        |         |   |          |  |  |  |   |   |            |  |  |
|   | C  | =                 | 4-Lead 3.2 mm x 2.5 mm CDFN           |           |         |                |  |  |  |  |  |                 |   |   |                            |  |  |  |   |   |                             |  |  |  |   |   |                             |  |  |  |   |   |                             |  |  |                           |   |   |                                      |  |  |  |   |   |                             |  |  |  |   |   |                                       |  |  |                   |   |   |        |  |  |  |   |   |        |  |  |  |   |   |         |  |  |  |   |   |         |  |  |                   |          |   |                                 |  |  |                        |         |   |          |  |  |  |   |   |            |  |  |
|   | D  | =                 | 4-Lead 2.5 mm x 2.0 mm CDFN           |           |         |                |  |  |  |  |  |                 |   |   |                            |  |  |  |   |   |                             |  |  |  |   |   |                             |  |  |  |   |   |                             |  |  |                           |   |   |                                      |  |  |  |   |   |                             |  |  |  |   |   |                                       |  |  |                   |   |   |        |  |  |  |   |   |        |  |  |  |   |   |         |  |  |  |   |   |         |  |  |                   |          |   |                                 |  |  |                        |         |   |          |  |  |  |   |   |            |  |  |
| <b>Temperature Range:</b>   | E  | =                 | -20°C to +70°C (Extended Commercial)  |           |         |                |  |  |  |  |  |                 |   |   |                            |  |  |  |   |   |                             |  |  |  |   |   |                             |  |  |  |   |   |                             |  |  |                           |   |   |                                      |  |  |  |   |   |                             |  |  |  |   |   |                                       |  |  |                   |   |   |        |  |  |  |   |   |        |  |  |  |   |   |         |  |  |  |   |   |         |  |  |                   |          |   |                                 |  |  |                        |         |   |          |  |  |  |   |   |            |  |  |
|   | I  | =                 | -40°C to +85°C (Industrial)           |           |         |                |  |  |  |  |  |                 |   |   |                            |  |  |  |   |   |                             |  |  |  |   |   |                             |  |  |  |   |   |                             |  |  |                           |   |   |                                      |  |  |  |   |   |                             |  |  |  |   |   |                                       |  |  |                   |   |   |        |  |  |  |   |   |        |  |  |  |   |   |         |  |  |  |   |   |         |  |  |                   |          |   |                                 |  |  |                        |         |   |          |  |  |  |   |   |            |  |  |
|   | L  | =                 | -40°C to +105°C (Extended Industrial) |           |         |                |  |  |  |  |  |                 |   |   |                            |  |  |  |   |   |                             |  |  |  |   |   |                             |  |  |  |   |   |                             |  |  |                           |   |   |                                      |  |  |  |   |   |                             |  |  |  |   |   |                                       |  |  |                   |   |   |        |  |  |  |   |   |        |  |  |  |   |   |         |  |  |  |   |   |         |  |  |                   |          |   |                                 |  |  |                        |         |   |          |  |  |  |   |   |            |  |  |
| <b>Stability:</b>   | 1  | =                 | ±50ppm                                |           |         |                |  |  |  |  |  |                 |   |   |                            |  |  |  |   |   |                             |  |  |  |   |   |                             |  |  |  |   |   |                             |  |  |                           |   |   |                                      |  |  |  |   |   |                             |  |  |  |   |   |                                       |  |  |                   |   |   |        |  |  |  |   |   |        |  |  |  |   |   |         |  |  |  |   |   |         |  |  |                   |          |   |                                 |  |  |                        |         |   |          |  |  |  |   |   |            |  |  |
|   | 2  | =                 | ±25ppm                                |           |         |                |  |  |  |  |  |                 |   |   |                            |  |  |  |   |   |                             |  |  |  |   |   |                             |  |  |  |   |   |                             |  |  |                           |   |   |                                      |  |  |  |   |   |                             |  |  |  |   |   |                                       |  |  |                   |   |   |        |  |  |  |   |   |        |  |  |  |   |   |         |  |  |  |   |   |         |  |  |                   |          |   |                                 |  |  |                        |         |   |          |  |  |  |   |   |            |  |  |
|   | 3  | =                 | ±20 ppm                               |           |         |                |  |  |  |  |  |                 |   |   |                            |  |  |  |   |   |                             |  |  |  |   |   |                             |  |  |  |   |   |                             |  |  |                           |   |   |                                      |  |  |  |   |   |                             |  |  |  |   |   |                                       |  |  |                   |   |   |        |  |  |  |   |   |        |  |  |  |   |   |         |  |  |  |   |   |         |  |  |                   |          |   |                                 |  |  |                        |         |   |          |  |  |  |   |   |            |  |  |
|   | 5  | =                 | ±10 ppm                               |           |         |                |  |  |  |  |  |                 |   |   |                            |  |  |  |   |   |                             |  |  |  |   |   |                             |  |  |  |   |   |                             |  |  |                           |   |   |                                      |  |  |  |   |   |                             |  |  |  |   |   |                                       |  |  |                   |   |   |        |  |  |  |   |   |        |  |  |  |   |   |         |  |  |  |   |   |         |  |  |                   |          |   |                                 |  |  |                        |         |   |          |  |  |  |   |   |            |  |  |
| <b>Frequency:</b>   | xxx.xxxx   | =                 | 1 MHz to 150 MHz (user-defined)       |           |         |                |  |  |  |  |  |                 |   |   |                            |  |  |  |   |   |                             |  |  |  |   |   |                             |  |  |  |   |   |                             |  |  |                           |   |   |                                      |  |  |  |   |   |                             |  |  |  |   |   |                                       |  |  |                   |   |   |        |  |  |  |   |   |        |  |  |  |   |   |         |  |  |  |   |   |         |  |  |                   |          |   |                                 |  |  |                        |         |   |          |  |  |  |   |   |            |  |  |
| <b>Packing Option:</b>  | <blank>  | =                 | 110/Tube                              |           |         |                |  |  |  |  |  |                 |   |   |                            |  |  |  |   |   |                             |  |  |  |   |   |                             |  |  |  |   |   |                             |  |  |                           |   |   |                                      |  |  |  |   |   |                             |  |  |  |   |   |                                       |  |  |                   |   |   |        |  |  |  |   |   |        |  |  |  |   |   |         |  |  |  |   |   |         |  |  |                   |          |   |                                 |  |  |                        |         |   |          |  |  |  |   |   |            |  |  |
|   | T  | =                 | 1,000/Reel                            |           |         |                |  |  |  |  |  |                 |   |   |                            |  |  |  |   |   |                             |  |  |  |   |   |                             |  |  |  |   |   |                             |  |  |                           |   |   |                                      |  |  |  |   |   |                             |  |  |  |   |   |                                       |  |  |                   |   |   |        |  |  |  |   |   |        |  |  |  |   |   |         |  |  |  |   |   |         |  |  |                   |          |   |                                 |  |  |                        |         |   |          |  |  |  |   |   |            |  |  |
| <p><b>Examples:</b></p> <p>a) DSC1001AE1-010.0000T:<br/>1.8V - 3.3V Low-Power Precision CMOS Oscillator, 4-Lead 7.0 mm x 5.0 mm DFN, Ext. Commercial Temperature Range, ±50 ppm, 10 MHz Output Frequency, 1,000/Reel</p> <p>b) DSC1003BL2-030.0000T:<br/>1.8V - 3.3V Low-Power Precision CMOS Oscillator, 4-Lead 5.0 mm x 3.2 mm CDFN, Ext. Industrial Temperature Range, ±25 ppm, 30 MHz Output Frequency, 110/Tube</p> <p>c) DSC1001DE5-150.0000T:<br/>1.8V - 3.3V Low-Power Precision CMOS Oscillator, 4-Lead 2.5 mm x 2.0 mm CDFN, Ext. Commercial Temperature Range, ±10 ppm, 150 MHz Output Frequency, 110/Tube</p> <p>d) DSC1004AI3-075.0000T:<br/>1.8V - 3.3V Low-Power Precision CMOS Oscillator, 4-Lead 7.0 mm x 5.0 mm DFN, Industrial Temperature Range, ±20 ppm, 75 MHz Output Frequency, 1,000/Reel</p> <p><b>Note 1:</b> Tape and Reel identifier only appears in the catalog part number description. This identifier is used for ordering purposes and is not printed on the device package. Check with your Microchip Sales Office for package availability with the Tape and Reel option.</p>  |  |                   |                                       |           |         |                |  |  |  |  |  |                 |   |   |                            |  |  |  |   |   |                             |  |  |  |   |   |                             |  |  |  |   |   |                             |  |  |                           |   |   |                                      |  |  |  |   |   |                             |  |  |  |   |   |                                       |  |  |                   |   |   |        |  |  |  |   |   |        |  |  |  |   |   |         |  |  |  |   |   |         |  |  |                   |          |   |                                 |  |  |                        |         |   |          |  |  |  |   |   |            |  |  |

# DSC1001/3/4

---

NOTES:

---

**Note the following details of the code protection feature on Microchip devices:**

- Microchip products meet the specification contained in their particular Microchip Data Sheet.
- Microchip believes that its family of products is one of the most secure families of its kind on the market today, when used in the intended manner and under normal conditions.
- There are dishonest and possibly illegal methods used to breach the code protection feature. All of these methods, to our knowledge, require using the Microchip products in a manner outside the operating specifications contained in Microchip's Data Sheets. Most likely, the person doing so is engaged in theft of intellectual property.
- Microchip is willing to work with the customer who is concerned about the integrity of their code.
- Neither Microchip nor any other semiconductor manufacturer can guarantee the security of their code. Code protection does not mean that we are guaranteeing the product as “unbreakable.”

Code protection is constantly evolving. We at Microchip are committed to continuously improving the code protection features of our products. Attempts to break Microchip's code protection feature may be a violation of the Digital Millennium Copyright Act. If such acts allow unauthorized access to your software or other copyrighted work, you may have a right to sue for relief under that Act.

---

Information contained in this publication regarding device applications and the like is provided only for your convenience and may be superseded by updates. It is your responsibility to ensure that your application meets with your specifications. MICROCHIP MAKES NO REPRESENTATIONS OR WARRANTIES OF ANY KIND WHETHER EXPRESS OR IMPLIED, WRITTEN OR ORAL, STATUTORY OR OTHERWISE, RELATED TO THE INFORMATION, INCLUDING BUT NOT LIMITED TO ITS CONDITION, QUALITY, PERFORMANCE, MERCHANTABILITY OR FITNESS FOR PURPOSE. Microchip disclaims all liability arising from this information and its use. Use of Microchip devices in life support and/or safety applications is entirely at the buyer's risk, and the buyer agrees to defend, indemnify and hold harmless Microchip from any and all damages, claims, suits, or expenses resulting from such use. No licenses are conveyed, implicitly or otherwise, under any Microchip intellectual property rights unless otherwise stated.

*Microchip received ISO/TS-16949:2009 certification for its worldwide headquarters, design and wafer fabrication facilities in Chandler and Tempe, Arizona; Gresham, Oregon and design centers in California and India. The Company's quality system processes and procedures are for its PIC® MCUs and dsPIC® DSCs, KEELoQ® code hopping devices, Serial EEPROMs, microperipherals, nonvolatile memory and analog products. In addition, Microchip's quality system for the design and manufacture of development systems is ISO 9001:2000 certified.*

**QUALITY MANAGEMENT SYSTEM  
CERTIFIED BY DNV  
= ISO/TS 16949 =**

**Trademarks**

The Microchip name and logo, the Microchip logo, AnyRate, AVR, AVR logo, AVR Freaks, BeaconThings, BitCloud, CryptoMemory, CryptoRF, dsPIC, FlashFlex, flexPWR, Heldo, JukeBlox, KEELoQ, KEELoQ logo, Kleer, LANCheck, LINK MD, maXStylus, maXTouch, MediaLB, megaAVR, MOST, MOST logo, MPLAB, OptoLyzer, PIC, picoPower, PICSTART, PIC32 logo, Prochip Designer, QTouch, RightTouch, SAM-BA, SpyNIC, SST, SST Logo, SuperFlash, tinyAVR, UNI/O, and XMEGA are registered trademarks of Microchip Technology Incorporated in the U.S.A. and other countries.

ClockWorks, The Embedded Control Solutions Company, EtherSynch, Hyper Speed Control, HyperLight Load, IntelliMOS, mTouch, Precision Edge, and Quiet-Wire are registered trademarks of Microchip Technology Incorporated in the U.S.A.

Adjacent Key Suppression, AKS, Analog-for-the-Digital Age, Any Capacitor, AnyIn, AnyOut, BodyCom, chipKIT, chipKIT logo, CodeGuard, CryptoAuthentication, CryptoCompanion, CryptoController, dsPICDEM, dsPICDEM.net, Dynamic Average Matching, DAM, ECAN, EtherGREEN, In-Circuit Serial Programming, ICSP, Inter-Chip Connectivity, JitterBlocker, KleerNet, KleerNet logo, Mindi, MiWi, motorBench, MPASM, MPF, MPLAB Certified logo, MPLIB, MPLINK, MultiTRAK, NetDetach, Omniscient Code Generation, PICDEM, PICDEM.net, PICKit, PICtail, PureSilicon, QMatrix, RightTouch logo, REAL ICE, Ripple Blocker, SAM-ICE, Serial Quad I/O, SMART-I.S., SQI, SuperSwitcher, SuperSwitcher II, Total Endurance, TSHARC, USBCheck, VariSense, ViewSpan, WiperLock, Wireless DNA, and ZENA are trademarks of Microchip Technology Incorporated in the U.S.A. and other countries.

SQTP is a service mark of Microchip Technology Incorporated in the U.S.A.

Silicon Storage Technology is a registered trademark of Microchip Technology Inc. in other countries.

GestIC is a registered trademark of Microchip Technology Germany II GmbH & Co. KG, a subsidiary of Microchip Technology Inc., in other countries.

All other trademarks mentioned herein are property of their respective companies.

© 2017, Microchip Technology Incorporated, All Rights Reserved.  
ISBN: 978-1-5224-2389-8



# MICROCHIP

## Worldwide Sales and Service

### AMERICAS

**Corporate Office**  
2355 West Chandler Blvd.  
Chandler, AZ 85224-6199  
Tel: 480-792-7200  
Fax: 480-792-7277  
Technical Support:  
<http://www.microchip.com/support>  
Web Address:  
[www.microchip.com](http://www.microchip.com)

#### Atlanta

Duluth, GA  
Tel: 678-957-9614  
Fax: 678-957-1455

#### Austin, TX

Tel: 512-257-3370

#### Boston

Westborough, MA  
Tel: 774-760-0087  
Fax: 774-760-0088

#### Chicago

Itasca, IL  
Tel: 630-285-0071  
Fax: 630-285-0075

#### Dallas

Addison, TX  
Tel: 972-818-7423  
Fax: 972-818-2924

#### Detroit

Novi, MI  
Tel: 248-848-4000

#### Houston, TX

Tel: 281-894-5983

#### Indianapolis

Noblesville, IN  
Tel: 317-773-8323  
Fax: 317-773-5453  
Tel: 317-536-2380

#### Los Angeles

Mission Viejo, CA  
Tel: 949-462-9523  
Fax: 949-462-9608  
Tel: 951-273-7800

#### Raleigh, NC

Tel: 919-844-7510

#### New York, NY

Tel: 631-435-6000

#### San Jose, CA

Tel: 408-735-9110  
Tel: 408-436-4270

#### Canada - Toronto

Tel: 905-695-1980  
Fax: 905-695-2078

### ASIA/PACIFIC

**Australia - Sydney**  
Tel: 61-2-9868-6733

**China - Beijing**  
Tel: 86-10-8569-7000

**China - Chengdu**  
Tel: 86-28-8665-5511

**China - Chongqing**  
Tel: 86-23-8980-9588

**China - Dongguan**  
Tel: 86-769-8702-9880

**China - Guangzhou**  
Tel: 86-20-8755-8029

**China - Hangzhou**  
Tel: 86-571-8792-8115

**China - Hong Kong SAR**  
Tel: 852-2943-5100

**China - Nanjing**  
Tel: 86-25-8473-2460

**China - Qingdao**  
Tel: 86-532-8502-7355

**China - Shanghai**  
Tel: 86-21-3326-8000

**China - Shenyang**  
Tel: 86-24-2334-2829

**China - Shenzhen**  
Tel: 86-755-8864-2200

**China - Suzhou**  
Tel: 86-186-6233-1526

**China - Wuhan**  
Tel: 86-27-5980-5300

**China - Xian**  
Tel: 86-29-8833-7252

**China - Xiamen**  
Tel: 86-592-2388138

**China - Zhuhai**  
Tel: 86-756-3210040

### ASIA/PACIFIC

**India - Bangalore**  
Tel: 91-80-3090-4444

**India - New Delhi**  
Tel: 91-11-4160-8631

**India - Pune**  
Tel: 91-20-4121-0141

**Japan - Osaka**  
Tel: 81-6-6152-7160

**Japan - Tokyo**  
Tel: 81-3-6880-3770

**Korea - Daegu**  
Tel: 82-53-744-4301

**Korea - Seoul**  
Tel: 82-2-554-7200

**Malaysia - Kuala Lumpur**  
Tel: 60-3-7651-7906

**Malaysia - Penang**  
Tel: 60-4-227-8870

**Philippines - Manila**  
Tel: 63-2-634-9065

**Singapore**  
Tel: 65-6334-8870

**Taiwan - Hsin Chu**  
Tel: 886-3-577-8366

**Taiwan - Kaohsiung**  
Tel: 886-7-213-7830

**Taiwan - Taipei**  
Tel: 886-2-2508-8600

**Thailand - Bangkok**  
Tel: 66-2-694-1351

**Vietnam - Ho Chi Minh**  
Tel: 84-28-5448-2100

### EUROPE

**Austria - Wels**  
Tel: 43-7242-2244-39  
Fax: 43-7242-2244-393

**Denmark - Copenhagen**  
Tel: 45-4450-2828  
Fax: 45-4485-2829

**Finland - Espoo**  
Tel: 358-9-4520-820

**France - Paris**  
Tel: 33-1-69-53-63-20  
Fax: 33-1-69-30-90-79

**Germany - Garching**  
Tel: 49-8931-9700

**Germany - Haan**  
Tel: 49-2129-3766400

**Germany - Heilbronn**  
Tel: 49-7131-67-3636

**Germany - Karlsruhe**  
Tel: 49-721-625370

**Germany - Munich**  
Tel: 49-89-627-144-0  
Fax: 49-89-627-144-44

**Germany - Rosenheim**  
Tel: 49-8031-354-560

**Israel - Ra'anana**  
Tel: 972-9-744-7705

**Italy - Milan**  
Tel: 39-0331-742611  
Fax: 39-0331-466781

**Italy - Padova**  
Tel: 39-049-7625286

**Netherlands - Drunen**  
Tel: 31-416-690399  
Fax: 31-416-690340

**Norway - Trondheim**  
Tel: 47-7289-7561

**Poland - Warsaw**  
Tel: 48-22-3325737

**Romania - Bucharest**  
Tel: 40-21-407-87-50

**Spain - Madrid**  
Tel: 34-91-708-08-90  
Fax: 34-91-708-08-91

**Sweden - Gothenberg**  
Tel: 46-31-704-60-40

**Sweden - Stockholm**  
Tel: 46-8-5090-4654

**UK - Wokingham**  
Tel: 44-118-921-5800  
Fax: 44-118-921-5820