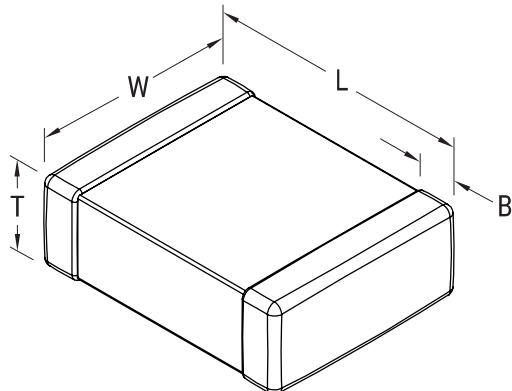


KEMET Part Number: M3253505E1C102JZMB
(C1206K102J2EML)

KEMET

a YAGEO company

SMD MIL C0G PRF32535, Ceramic, 1000 pF, 5%, 200 VDC, C0G, SMD, Low ESR, MIL-PRF-32535, N/A, 1206




Dimensions

Chip Size	1206
L	3.2mm +/-0.25mm (0.126 in +/-0.01 in)
W	1.6mm +/-0.25mm (0.063 in +/-0.01 in)
T	1.78mm MAX (0.07 in MAX)
B	0.51mm +/-0.36mm (0.02 in +/-0.014 in)

Packaging Specifications

Packaging:	Waffle
Packaging Quantity:	126

General Information

Series:	SMD MIL C0G PRF32535
Style:	SMD Chip
Description:	SMD, Low ESR, MIL-PRF-32535
RoHS:	No
Prop 65:	 WARNING: Cancer and reproductive harm - www.p65warnings.ca.gov .
REACH:	SVHC (Pb – CAS 7439-92-1)
SCIP Number:	d66873f5-e54d-410c-a0cf-ebf6fcf635b5
Termination:	Solder Plated
Failure Rate:	N/A
Qualifications:	MIL-PRF-32535 M-Level
AEC-Q200:	No
Shelf Life:	78 Weeks
MSL:	1

Specifications

Capacitance:	1000 pF
Capacitance Tolerance:	5%
Voltage DC:	200 VDC
Dielectric Withstanding Voltage:	500 VDC
Temperature Range:	-55/+125°C
Temperature Coefficient:	C0G
Dissipation Factor:	0.15% 1 MHz 25C
Aging Rate:	0% Loss/Decade Hour
Insulation Resistance:	100 GOhms

Statements of suitability for certain applications are based on our knowledge of typical operating conditions for such applications, but are not intended to constitute - and we specifically disclaim - any warranty concerning suitability for a specific customer application or use. This Information is intended for use only by customers who have the requisite experience and capability to determine the correct products for their application. Any technical advice inferred from this Information or otherwise provided by us with reference to the use of our products is given gratis, and we assume no obligation or liability for the advice given or results obtained.

KEMET

a YAGEO company