

HXC SERIES
105°C High Ripple, Snap-in Terminal Type
◆ FEATURES

- Load Life : 105°C 2000 hours.
- Higher ripple current endurance than MXC series.
- RoHS compliance.


◆ SPECIFICATIONS

| Items | Characteristics | | | | | | |
|--------------------------------|--|--------------------|-----------------------------------|--------------------|--|-----------------|------------------------------------|
| Category Temperature Range | -25~+105°C | | | | | | |
| Rated Voltage Range | 200, 400, 450V.DC | | | | | | |
| Capacitance Tolerance | ±20%(20°C,120Hz) | | | | | | |
| Leakage Current(MAX) | $I = 3\sqrt{CV}$ (After 5 minutes application of rated voltage) $I = (\mu A)$ Leakage Current $V = (V)$ Rated Voltage $C = (\mu F)$ Rated Capacitance | | | | | | |
| Dissipation Factor(MAX) (tanδ) | <table border="1"> <thead> <tr> <th>(V) Rated Voltage</th> <th>200~400</th> <th>450</th> </tr> </thead> <tbody> <tr> <td>tan δ</td> <td>0.15</td> <td>0.20</td> </tr> </tbody> </table> (20°C,120Hz) | (V) Rated Voltage | 200~400 | 450 | tan δ | 0.15 | 0.20 |
| (V) Rated Voltage | 200~400 | 450 | | | | | |
| tan δ | 0.15 | 0.20 | | | | | |
| Impedance Ratio(MAX) | <table border="1"> <thead> <tr> <th>(V) Rated Voltage</th> <th>200</th> <th>400~450</th> </tr> </thead> <tbody> <tr> <td>Z(-25°C)/Z(20°C)</td> <td>3</td> <td>8</td> </tr> </tbody> </table> (120Hz) | (V) Rated Voltage | 200 | 400~450 | Z(-25°C)/Z(20°C) | 3 | 8 |
| (V) Rated Voltage | 200 | 400~450 | | | | | |
| Z(-25°C)/Z(20°C) | 3 | 8 | | | | | |
| Endurance | After applying rated voltage with rated ripple current for 2000hrs at 105°C, the capacitors shall meet the following requirements. <table border="1"> <tbody> <tr> <td>Capacitance Change</td> <td>Within ±20% of the initial value.</td> </tr> <tr> <td>Dissipation Factor</td> <td>Not more than 200% of the specified value.</td> </tr> <tr> <td>Leakage Current</td> <td>Not more than the specified value.</td> </tr> </tbody> </table> | Capacitance Change | Within ±20% of the initial value. | Dissipation Factor | Not more than 200% of the specified value. | Leakage Current | Not more than the specified value. |
| Capacitance Change | Within ±20% of the initial value. | | | | | | |
| Dissipation Factor | Not more than 200% of the specified value. | | | | | | |
| Leakage Current | Not more than the specified value. | | | | | | |

◆ MULTIPLIER FOR RIPPLE CURRENT

Frequency coefficient

| (Hz) Frequency | | 60(50) | 120 | 500 | 1k | 10k ≤ |
|----------------|-----------|--------|------|------|------|-------|
| Coefficient | 200WV | 0.80 | 1.00 | 1.20 | 1.30 | 1.50 |
| | 400~450WV | 0.80 | 1.00 | 1.20 | 1.25 | 1.40 |

◆ PART NUMBER

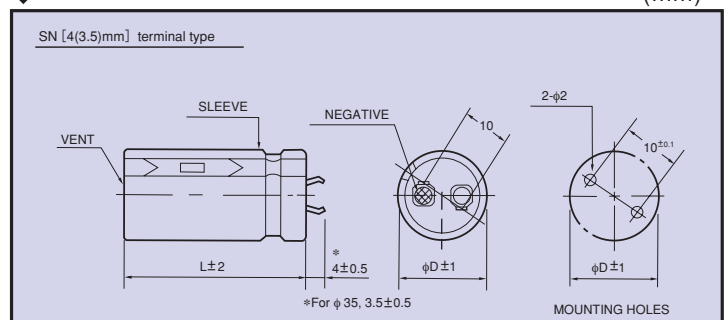
| | | | | | | |
|---------------|--------|-------------------|-----------------------|--------|---------------|-----------|
| □□□ | HXC | □□□□□ | □ | □□□ | SN | D×L |
| Rated Voltage | Series | Rated Capacitance | Capacitance Tolerance | Option | Terminal Code | Case Size |

◆ Option

| | Code |
|--------------------------|-------|
| PET Sleeve without plate | EFC |
| PVC Sleeve without plate | OOE |
| PVC Sleeve with plate | Blank |

◆ DIMENSIONS

(mm)



◆ STANDARD SIZE

| Cap (μ F) | WV ϕ D | 200 | | | | | | | |
|-------------------|----------------|-----------|------|-----------|------|-----------|------|-----------|------|
| | | ϕ 22 | | ϕ 25 | | ϕ 30 | | ϕ 35 | |
| 270 | | 22x25 | 1.64 | | | | | | |
| 330 | | 22x30 | 1.89 | | | | | | |
| 390 | | 22x35 | 2.14 | 25x25 | 1.99 | | | | |
| 470 | | 22x40 | 2.41 | 25x30 | 2.32 | 30x25 | 2.27 | | |
| 560 | | 22x45 | 2.71 | 25x35 | 2.63 | 30x25 | 2.43 | | |
| 680 | | 22x50 | 3.06 | 25x35 | 2.81 | 30x30 | 2.82 | | |
| 820 | | | | 25x45 | 3.32 | 30x30 | 2.94 | 35x25 | 2.56 |
| 1000 | | | | 25x50 | 3.72 | 30x35 | 3.36 | 35x30 | 3.07 |
| 1200 | | | | | | 30x40 | 3.78 | 35x35 | 3.57 |
| 1500 | | | | | | 30x50 | 4.48 | 35x40 | 4.01 |
| 1800 | | | | | | | | 35x45 | 4.44 |
| 2200 | | | | | | | | 35x50 | 4.90 |

| Cap (μ F) | WV ϕ D | 400 | | | | | | | |
|-------------------|----------------|-----------|------|-----------|------|-----------|------|-----------|------|
| | | ϕ 22 | | ϕ 25 | | ϕ 30 | | ϕ 35 | |
| 82 | | 22x30 | 0.81 | | | | | | |
| 100 | | 22x35 | 0.99 | 25x25 | 0.99 | | | | |
| 120 | | 22x40 | 1.19 | 25x30 | 1.19 | | | | |
| 150 | | 22x45 | 1.43 | 25x35 | 1.43 | 30x25 | 1.41 | | |
| 180 | | 22x50 | 1.60 | 25x40 | 1.61 | 30x30 | 1.61 | | |
| 220 | | | | 25x45 | 1.83 | 30x35 | 1.84 | | |
| 270 | | | | 25x50 | 2.06 | 30x40 | 2.10 | 35x30 | 2.00 |
| 330 | | | | | | 30x45 | 2.36 | 35x35 | 2.29 |
| 390 | | | | | | 30x50 | 2.62 | 35x40 | 2.56 |
| 470 | | | | | | | | 35x45 | 2.86 |
| 560 | | | | | | | | 35x50 | 3.15 |

| Cap (μ F) | WV ϕ D | 450 | | | | | | | |
|-------------------|----------------|-----------|------|-----------|------|-----------|------|-----------|------|
| | | ϕ 22 | | ϕ 25 | | ϕ 30 | | ϕ 35 | |
| 68 | | 22x30 | 0.67 | | | | | | |
| 82 | | 22x35 | 0.81 | 25x25 | 0.81 | | | | |
| 100 | | 22x40 | 0.99 | 25x30 | 0.99 | | | | |
| 120 | | 22x45 | 1.19 | 25x35 | 1.19 | 30x25 | 1.19 | | |
| 150 | | | | 25x40 | 1.49 | 30x30 | 1.49 | 35x25 | 1.49 |
| 180 | | | | 25x45 | 1.68 | 30x35 | 1.70 | 35x25 | 1.61 |
| 220 | | | | 25x50 | 1.89 | 30x40 | 1.92 | 35x30 | 1.85 |
| 270 | | | | | | 30x45 | 2.18 | 35x35 | 2.12 |
| 330 | | | | | | 30x50 | 2.45 | 35x40 | 2.41 |
| 390 | | | | | | | | 35x45 | 2.67 |
| 470 | | | | | | | | 35x50 | 2.97 |

↑ Ripple Current (A r.m.s./120Hz, 105°C)

 ↑ Case Size ϕ D x L (mm)