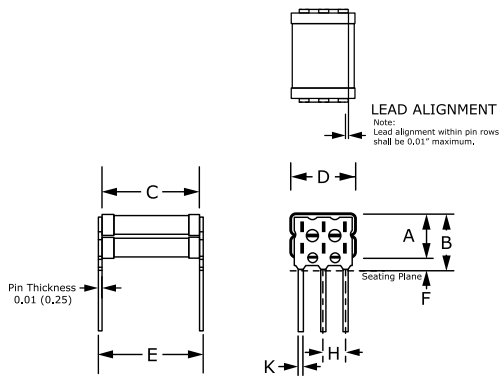


KPS-MCC Indust COG HT200C, Ceramic, 0.056 uF, 10%, 630 VDC, COG



Dimensions	
D	6.35mm +/-0.635mm
L	6.35mm MIN
H	2.54mm NOM
F	1.397mm +/-0.25mm
A	5.3mm MAX
B	7.078mm MAX
C	6.35mm +/-0.635mm
E	7.62mm MAX
K	0.5mm NOM

Packaging Specifications	
Packaging:	Waffle, Box
Packaging Quantity:	50

General Information	
Series:	KPS-MCC Indust COG HT200C
Style:	Leaded Stacked Chip
Description:	Low ESR, Stacked Ceramic Chips
Features:	200C, Low ESR, High Thermal Stability, Bulk Capacitance
RoHS:	With Exemptions
REACH:	SVHC (Pb – CAS 7439-92-1)
REACH:	SVHC (Pb – CAS 7439-92-1)
SCIP Number:	297427bb-2a48-4853-b594-641304a2cc24
Termination:	Silver
Lead:	Straight Leads
AEC-Q200:	No
Notes:	Number of chips in this stack: 2.

Specifications	
Capacitance:	0.056 uF
Capacitance Tolerance:	10%
Voltage DC:	630 VDC
Dielectric Withstanding Voltage:	819 VDC
Temperature Range:	-55/+200°C
Temperature Coefficient:	COG
Dissipation Factor:	0.1% 1 kHz 25C
Aging Rate:	0% Loss/Decade Hour
Insulation Resistance:	17.86 GOhms

Statements of suitability for certain applications are based on our knowledge of typical operating conditions for such applications, but are not intended to constitute - and we specifically disclaim - any warranty concerning suitability for a specific customer application or use. This Information is intended for use only by customers who have the requisite experience and capability to determine the correct products for their application. Any technical advice inferred from this Information or otherwise provided by us with reference to the use of our products is given gratis, and we assume no obligation or liability for the advice given or results obtained.