

Aluminum electrolytic capacitors

Snap-in capacitors

Series/Type: B43544
Date: October 2015

© EPCOS AG 2015. Reproduction, publication and dissemination of this publication, enclosures hereto and the information contained therein without EPCOS' prior express consent is prohibited.

EPCOS AG is a TDK Group Company.

Long-life grade capacitors

Applications

- Frequency converters
- Solar inverters
- Uninterruptible power supplies
- Professional power supplies
- Medical appliances



Features

- Outstanding ripple current capability
- Base cooling available upon request for case sizes 30 × 35 mm to 35 × 55 mm
- Rated voltages up to 550 V DC
- Very high CV product, compact
- High reliability
- Extremely improved performance at high frequencies
- Very low ESR at operating conditions above 50 °C
- Optimized internal thermal resistance
- Different case sizes available for each capacitance value
- Capacitors with all insulation versions pass the needle flame test according to IEC 60695-11-5 for all flame exposure times up to 120 s
- RoHS-compatible

Construction

- Charge/discharge-proof, polar
- Aluminum case, fully insulated with PVC
- Version with PET insulation available
- Version with additional PET insulation cap on terminal side available for insulating the capacitor from the PCB
- Snap-in solder pins to hold component in place on PC-board
- Minus pole marking on case surface
- Minus pole not insulated from case
- Overload protection by safety vent on the case wall

Terminals

- Standard version with 2 terminals, 2 lengths available: 6.3 and 4.5 mm
- 3 terminals to ensure correct insertion: length 4.5 mm


Specifications and characteristics in brief

Rated voltage V_R	200 ... 550 V DC														
Surge voltage V_S	$1.15 \cdot V_R$ (for $V_R \leq 250$ V DC) $1.10 \cdot V_R$ (for $V_R \geq 400$ V DC)														
Rated capacitance C_R	47 ... 2700 μ F														
Capacitance tolerance	$\pm 20\% \triangleq M$														
Dissipation factor $\tan \delta$ (20 °C, 120 Hz)	$V_R \leq 400$ V DC: $\tan \delta \leq 0.15$ $V_R \geq 450$ V DC: $\tan \delta \leq 0.20$														
Leakage current I_{leak} (5 min, 20 °C)	$I_{leak} \leq 0.3 \mu A \cdot \left(\frac{C_R}{\mu F} \cdot \frac{V_R}{V} \right)^{0.7} + 4 \mu A$														
Self-inductance ESL	Approx. 20 nH														
Useful life ¹⁾ 105 °C; V_R ; $I_{AC,R}$	> 3000 h	Requirements: $ \Delta C/C \leq 20\%$ of initial value $\tan \delta \leq 2$ times initial specified limit $I_{leak} \leq$ initial specified limit													
Voltage endurance test 105 °C; V_R	2000 h	Post test requirements: $ \Delta C/C \leq 10\%$ of initial value $\tan \delta \leq 1.3$ times initial specified limit $I_{leak} \leq$ initial specified limit													
Vibration resistance test	To IEC 60068-2-6, test Fc: Frequency range 10 Hz ... 55 Hz, displacement amplitude 0.35 mm, acceleration max. 5 g, duration 3 × 2 h. Capacitor mounted by its body which is rigidly clamped to the work surface.														
Characteristics at low temperature	Max. impedance ratio at 100 Hz <table border="1" data-bbox="520 1021 1016 1125"> <thead> <tr> <th>V_R</th> <th>≤ 400 V</th> <th>450 V</th> <th>500 V ... 550 V</th> </tr> </thead> <tbody> <tr> <td>$Z_{-25^\circ C} / Z_{20^\circ C}$</td> <td>3</td> <td>5</td> <td>7</td> </tr> <tr> <td>$Z_{-40^\circ C} / Z_{20^\circ C}$</td> <td>7</td> <td>10</td> <td>14</td> </tr> </tbody> </table>	V_R	≤ 400 V	450 V	500 V ... 550 V	$Z_{-25^\circ C} / Z_{20^\circ C}$	3	5	7	$Z_{-40^\circ C} / Z_{20^\circ C}$	7	10	14		
V_R	≤ 400 V	450 V	500 V ... 550 V												
$Z_{-25^\circ C} / Z_{20^\circ C}$	3	5	7												
$Z_{-40^\circ C} / Z_{20^\circ C}$	7	10	14												
IEC climatic category	To IEC 60068-1: $V_R \leq 450$ V DC: 40/105/56 (–40 °C/+105 °C/56 days damp heat test) $V_R \geq 500$ V DC: 25/105/56 (–25 °C/+105 °C/56 days damp heat test) The capacitors can be operated in the temperature range of –40 °C to +105 °C but the impedance at –40 °C should be taken into consideration.														
Detail specification	Similar to CECC 30301-809														
Sectional specification	IEC 60384-4														

1) Refer to chapter "General technical information, 5 Useful life" on how to interpret useful life.

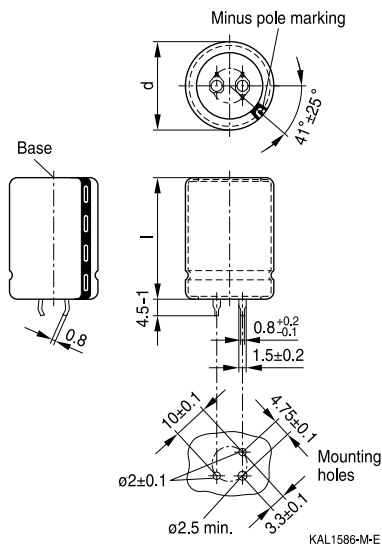
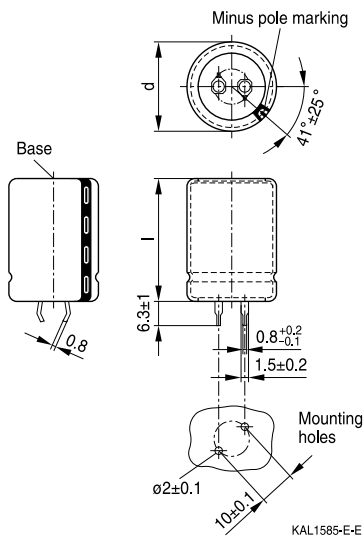


B43544

Outstanding ripple current, compact – 105 °C

Dimensional drawings

Snap-in capacitors with standard insulation (PVC or PET)

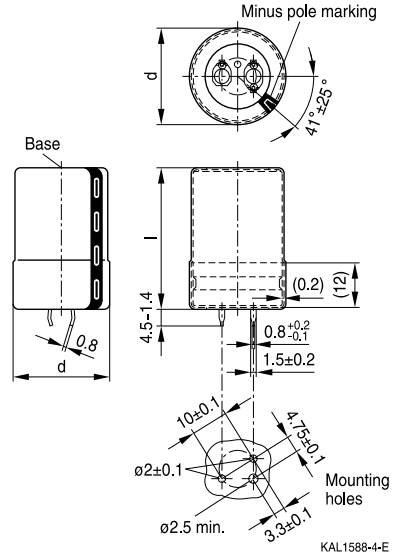
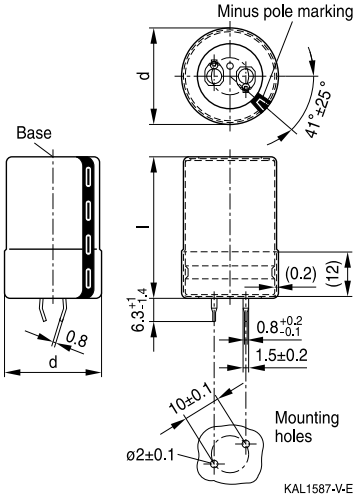


Snap-in terminals, length (6.3 ±1) mm.
 Also available in a shorter version with a length of (4.5 – 1) mm. PET insulation is marked with label "PET" on the sleeve. Safety vent on the case wall.

Snap-in capacitors are also available with 3 terminals (length (4.5 – 1) mm). PET insulation is marked with label "PET" on the sleeve. Safety vent on the case wall.

Dimensions (mm)		Approx. weight (g)	Packing units (pcs.)
d +1	l ±2		
25	25	13	130
25	30	17	130
25	35	19	130
25	40	22	130
25	45	25	130
25	50	29	130
25	55	32	130

Dimensions (mm)		Approx. weight (g)	Packing units (pcs.)
d +1	l ±2		
30	25	17	80
30	30	23	80
30	35	29	80
30	40	36	80
30	45	41	80
30	50	46	80
30	55	53	80
35	25	22	60
35	30	29	60
35	35	36	60
35	40	41	60
35	45	56	60
35	50	70	60
35	55	81	60


Snap-in capacitors with PVC insulation and PET insulation cap on terminal side


Snap-in terminals, length (6.3 +1/–1.4) mm. Also available in a shorter version with a length of (4.5 – 1.4) mm. PET insulation cap is positioned under the insulation sleeve. Safety vent on the case wall.

Snap-in capacitors are also available with 3 terminals (length (4.5 – 1.4) mm). PET insulation cap is positioned under the insulation sleeve. Safety vent on the case wall.

Dimensions (mm)		Approx. weight (g)	Packing units (pcs.)
d +1.4	l +2.2/–2		
25	25	13	115
25	30	17	115
25	35	19	115
25	40	22	115
25	45	25	115
25	50	29	115
25	55	32	115

Dimensions (mm)		Approx. weight (g)	Packing units (pcs.)
d +1.4	l +2.2/–2		
30	25	17	80
30	30	23	80
30	35	29	80
30	40	36	80
30	45	41	80
30	50	46	80
30	55	53	80
35	25	22	60
35	30	29	60
35	35	36	60
35	40	41	60
35	45	56	60
35	50	70	60
35	55	81	60



B43544

Outstanding ripple current, compact – 105 °C

Packing of snap-in capacitors



For ecological reasons the packing is pure cardboard. Components can be withdrawn (in full or in part) in the correct position for insertion.

Ordering codes for terminal styles and insulation features

Identification in 3rd block of ordering code

Snap-in capacitors

Terminal version	Insulation version		
	PVC	PET	PVC plus PET cap
Standard terminals 6.3 mm	M000	M060	M080
Short terminals 4.5 mm	M007	M067	M087
3 terminals 4.5 mm	M002	M062	M082

Ordering examples:

- B43544A5107M007 } snap-in capacitor with short terminals and standard PVC insulation
- B43544A5107M062 } snap-in capacitor with 3 terminals and PET insulation
- B43544A5107M080 } snap-in capacitor with standard terminals and PVC insulation with additional PET insulation cap on terminal side


Overview of available types

V_R (V DC)	200	250	400	450	500	550
	Case dimensions $d \times l$ (mm)					
C_R (μ F)						
47						25 × 25
56						25 × 30
68					25 × 25	25 × 35 30 × 25
82					25 × 30	25 × 35 30 × 30
100				25 × 25	25 × 35 30 × 25	25 × 40 30 × 35 35 × 25
120			25 × 25	25 × 30	25 × 35 30 × 30	25 × 50 30 × 35 35 × 30
150			25 × 30	25 × 35 30 × 25	25 × 45 30 × 35 35 × 25	25 × 55 30 × 45 35 × 35
180			25 × 35 30 × 25	25 × 40 30 × 30 35 × 25	25 × 50 30 × 35 35 × 30	30 × 50 35 × 40
220			25 × 35 30 × 30	25 × 45 30 × 35 35 × 30	25 × 55 30 × 40 35 × 35	30 × 55 35 × 45
270			25 × 45 30 × 35 35 × 25	25 × 50 30 × 40 35 × 30	30 × 50 35 × 40	35 × 50
330		25 × 25	25 × 50 30 × 35 35 × 30	30 × 45 35 × 35	30 × 55 35 × 45	
390	25 × 25	25 × 30	25 × 55 30 × 40 35 × 35	30 × 50 35 × 40	35 × 50	
470	25 × 30	25 × 30 30 × 25	30 × 45 35 × 35	30 × 55 35 × 45	35 × 55	
560	25 × 30	25 × 35 30 × 30	30 × 55 35 × 40	35 × 50		


B43544
Outstanding ripple current, compact – 105 °C

V_R (V DC)	200	250	400	450	500	550
	Case dimensions $d \times l$ (mm)					
C_R (μ F)						
680	25 × 35 30 × 25	25 × 40 30 × 30 35 × 25	35 × 50	35 × 55		
820	25 × 40 30 × 30 35 × 25	25 × 45 30 × 35 35 × 30	35 × 55			
1000	25 × 45 30 × 35 35 × 30	25 × 55 30 × 40 35 × 30				
1200	25 × 50 30 × 40 35 × 30	30 × 45 35 × 35				
1500	30 × 45 35 × 35	30 × 55 35 × 40				
1800	30 × 50 35 × 40	35 × 50				
2200	30 × 55 35 × 45	35 × 55				
2700	35 × 50					

The capacitance and voltage ratings listed above are available in different cases upon request. Other voltage and capacitance ratings are also available upon request.


Technical data and ordering codes

C_R	Case dimensions	ESR_{typ} 100 Hz 20 °C μF	ESR_{typ} 300 Hz 60 °C $m\Omega$	Z_{max} 10 kHz 20 °C $m\Omega$	$I_{AC,max}$ 100 Hz 60 °C A	$I_{AC,max}$ 100 Hz 85 °C A	$I_{AC,R}$ 100 Hz 105 °C A	Ordering code (composition see below)
$V_R = 200$ V DC								
390	25 × 25	220	80	320	3.42	2.52	1.31	B43544A2397M0*#
470	25 × 30	180	65	260	3.96	2.92	1.52	B43544A2477M0*#
560	25 × 30	160	60	230	4.30	3.17	1.64	B43544A2567M0*#
680	25 × 35	130	50	190	4.96	3.66	1.90	B43544A2687M0*#
680	30 × 25	120	45	180	5.35	3.94	2.04	B43544B2687M0*#
820	25 × 40	110	40	160	5.67	4.19	2.17	B43544A2827M0*#
820	30 × 30	100	34	150	6.15	4.53	2.35	B43544B2827M0*#
820	35 × 25	110	40	160	6.13	4.52	2.34	B43544C2827M0*#
1000	25 × 45	90	34	130	6.50	4.80	2.49	B43544A2108M0*#
1000	30 × 35	85	28	120	7.07	5.21	2.71	B43544B2108M0*#
1000	35 × 30	85	32	130	7.12	5.25	2.88	B43544C2108M0*#
1200	25 × 50	75	30	110	7.37	5.45	2.82	B43544A2128M0*#
1200	30 × 40	70	24	100	8.05	5.93	3.26	B43544B2128M0*#
1200	35 × 30	75	30	110	7.67	5.66	3.09	B43544C2128M0*#
1500	30 × 45	55	20	80	9.36	6.90	3.78	B43544A2158M0*#
1500	35 × 35	60	24	90	8.91	6.58	3.60	B43544B2158M0*#
1800	30 × 50	45	17	70	10.6	7.84	4.30	B43544A2188M0*#
1800	35 × 40	50	20	75	10.1	7.46	4.08	B43544B2188M0*#
2200	30 × 55	40	15	60	12.2	9.01	4.93	B43544A2228M0*#
2200	35 × 45	40	17	60	11.5	8.49	4.64	B43544B2228M0*#
2700	35 × 50	34	15	55	13.1	9.68	5.29	B43544A2278M0*#

Composition of ordering code

* = Insulation feature

0 = PVC insulation

6 = PET insulation

8 = PVC insulation with additional PET insulation cap on terminal side

= Terminal style

0 = snap-in standard terminals (6.3 mm)

2 = snap-in 3 terminals (4.5 mm)

7 = snap-in short terminals (4.5 mm)


B43544
Outstanding ripple current, compact – 105 °C
Technical data and ordering codes

C_R	Case dimensions	ESR_{typ} 100 Hz 20 °C μF	ESR_{typ} 300 Hz 60 °C mΩ	Z_{max} 10 kHz 20 °C mΩ	$I_{AC,max}$ 100 Hz 60 °C A	$I_{AC,max}$ 100 Hz 85 °C A	$I_{AC,R}$ 100 Hz 105 °C A	Ordering code (composition see below)
$V_R = 250$ V DC								
330	25 × 25	220	85	310	3.29	2.43	1.26	B43544E2337M0*#
390	25 × 30	180	65	260	3.76	2.78	1.44	B43544E2397M0*#
470	25 × 30	160	60	220	4.12	3.04	1.57	B43544E2477M0*#
470	30 × 25	150	50	210	4.62	3.41	1.76	B43544F2477M0*#
560	25 × 35	130	50	190	4.72	3.49	1.80	B43544E2567M0*#
560	30 × 30	120	40	170	5.25	3.88	2.01	B43544F2567M0*#
680	25 × 40	110	40	150	5.42	4.01	2.07	B43544E2687M0*#
680	30 × 30	100	36	150	5.84	4.31	2.23	B43544F2687M0*#
680	35 × 25	110	40	150	5.81	4.29	2.22	B43544G2687M0*#
820	25 × 45	90	36	130	6.19	4.58	2.37	B43544E2827M0*#
820	30 × 35	85	30	120	6.67	4.93	2.55	B43544F2827M0*#
820	35 × 30	90	32	130	6.72	4.97	2.71	B43544G2827M0*#
1000	25 × 55	75	28	110	7.30	5.40	2.80	B43544E2108M0*#
1000	30 × 40	70	24	100	7.69	5.68	3.11	B43544F2108M0*#
1000	35 × 30	75	30	110	7.33	5.41	2.95	B43544G2108M0*#
1200	30 × 45	60	20	85	8.74	6.46	3.53	B43544E2128M0*#
1200	35 × 35	65	24	90	8.37	6.19	3.38	B43544F2128M0*#
1500	30 × 55	45	17	65	10.3	7.67	4.20	B43544E2158M0*#
1500	35 × 40	50	20	75	9.68	7.15	3.90	B43544F2158M0*#
1800	35 × 50	40	16	60	11.2	8.34	4.56	B43544E2188M0*#
2200	35 × 55	34	14	50	12.8	9.50	5.19	B43544E2228M0*#

Composition of ordering code

* = Insulation feature

0 = PVC insulation

6 = PET insulation

8 = PVC insulation with additional PET insulation cap on terminal side

= Terminal style

0 = snap-in standard terminals (6.3 mm)

2 = snap-in 3 terminals (4.5 mm)

7 = snap-in short terminals (4.5 mm)


Technical data and ordering codes

C_R	Case dimensions	ESR_{typ} 100 Hz 20 °C μF	ESR_{typ} 300 Hz 60 °C m Ω	Z_{max} 10 kHz 20 °C m Ω	$I_{AC,max}$ 100 Hz 60 °C A	$I_{AC,max}$ 100 Hz 85 °C A	$I_{AC,R}$ 100 Hz 105 °C A	Ordering code (composition see below)
$V_R = 400$ V DC								
120	25 × 25	510	160	710	2.21	1.63	0.84	B43544A9127M0*#
150	25 × 30	400	130	560	2.58	1.91	0.99	B43544A9157M0*#
180	25 × 35	340	110	470	2.94	2.17	1.13	B43544A9187M0*#
180	30 × 25	330	100	460	3.10	2.29	1.18	B43544B9187M0*#
220	25 × 35	280	90	390	3.33	2.46	1.27	B43544A9227M0*#
220	30 × 30	270	85	380	3.55	2.62	1.36	B43544B9227M0*#
270	25 × 45	220	75	320	3.91	2.90	1.50	B43544A9277M0*#
270	30 × 35	220	70	310	4.08	3.02	1.56	B43544B9277M0*#
270	35 × 25	230	75	320	4.13	3.05	1.58	B43544C9277M0*#
330	25 × 50	180	60	260	4.53	3.35	1.74	B43544A9337M0*#
330	30 × 35	180	60	260	4.63	3.42	1.77	B43544B9337M0*#
330	35 × 30	180	60	260	4.76	3.51	1.92	B43544C9337M0*#
390	25 × 55	160	50	220	5.13	3.79	1.96	B43544A9397M0*#
390	30 × 40	150	50	220	5.24	3.87	2.12	B43544B9397M0*#
390	35 × 35	160	50	220	5.34	3.95	2.16	B43544C9397M0*#
470	30 × 45	130	40	180	6.00	4.43	2.42	B43544A9477M0*#
470	35 × 35	130	45	190	5.95	4.40	2.40	B43544B9477M0*#
560	30 × 55	110	34	150	6.86	5.07	2.78	B43544A9567M0*#
560	35 × 40	110	38	160	6.73	4.97	2.72	B43544B9567M0*#
680	35 × 50	90	30	130	7.79	5.76	3.15	B43544A9687M0*#
820	35 × 55	75	26	110	8.88	6.56	3.59	B43544A9827M0*#

Composition of ordering code

* = Insulation feature

0 = PVC insulation

6 = PET insulation

8 = PVC insulation with additional PET insulation cap on terminal side

= Terminal style

0 = snap-in standard terminals (6.3 mm)

2 = snap-in 3 terminals (4.5 mm)

7 = snap-in short terminals (4.5 mm)


B43544
Outstanding ripple current, compact – 105 °C
Technical data and ordering codes

C_R	Case dimensions	ESR_{typ} 100 Hz 20 °C μF	ESR_{typ} 300 Hz 60 °C $m\Omega$	Z_{max} 10 kHz 20 °C $m\Omega$	$I_{AC,max}$ 100 Hz 60 °C A	$I_{AC,max}$ 100 Hz 85 °C A	$I_{AC,R}$ 100 Hz 105 °C A	Ordering code (composition see below)
$V_R = 450$ V DC								
100	25 × 25	990	260	1520	1.96	1.44	0.75	B43544A5107M0*#
120	25 × 30	820	210	1260	2.23	1.64	0.85	B43544A5127M0*#
150	25 × 35	660	170	1010	2.60	1.91	1.00	B43544A5157M0*#
150	30 × 25	650	170	1000	2.73	2.00	1.04	B43544B5157M0*#
180	25 × 40	550	140	840	2.97	2.18	1.14	B43544A5187M0*#
180	30 × 30	540	140	840	3.10	2.27	1.19	B43544B5187M0*#
180	35 × 25	550	140	840	3.23	2.37	1.23	B43544C5187M0*#
220	25 × 45	450	120	690	3.43	2.52	1.32	B43544A5227M0*#
220	30 × 35	440	110	680	3.55	2.61	1.36	B43544B5227M0*#
220	35 × 30	450	120	690	3.70	2.72	1.50	B43544C5227M0*#
270	25 × 50	370	100	570	3.99	2.93	1.53	B43544A5277M0*#
270	30 × 40	360	90	560	4.10	3.01	1.66	B43544B5277M0*#
270	35 × 30	370	100	570	4.17	3.06	1.68	B43544C5277M0*#
330	30 × 45	300	75	460	4.73	3.48	1.92	B43544A5337M0*#
330	35 × 35	300	80	460	4.78	3.51	1.93	B43544B5337M0*#
390	30 × 50	250	65	390	5.34	3.92	2.16	B43544A5397M0*#
390	35 × 40	250	65	390	5.36	3.94	2.17	B43544B5397M0*#
470	30 × 55	210	55	320	6.14	4.51	2.49	B43544A5477M0*#
470	35 × 45	210	55	330	6.09	4.48	2.47	B43544B5477M0*#
560	35 × 50	180	45	280	6.89	5.07	2.79	B43544A5567M0*#
680	35 × 55	150	40	230	7.94	5.83	3.21	B43544A5687M0*#

Composition of ordering code

* = Insulation feature

0 = PVC insulation

6 = PET insulation

8 = PVC insulation with additional PET insulation cap on terminal side

= Terminal style

0 = snap-in standard terminals (6.3 mm)

2 = snap-in 3 terminals (4.5 mm)

7 = snap-in short terminals (4.5 mm)


Technical data and ordering codes

C_R	Case dimensions	ESR_{typ} 100 Hz 20 °C μF	ESR_{typ} 300 Hz 60 °C m Ω	Z_{max} 10 kHz 20 °C m Ω	$I_{AC,max}$ 100 Hz 60 °C A	$I_{AC,max}$ 100 Hz 85 °C A	$I_{AC,R}$ 100 Hz 105 °C A	Ordering code (composition see below)
$V_R = 500$ V DC								
68	25 × 25	1220	330	1810	1.43	1.23	0.59	B43544B6686M0*#
82	25 × 30	1010	280	1500	1.73	1.40	0.67	B43544B6826M0*#
100	25 × 35	830	230	1230	2.11	1.61	0.77	B43544C6107M0*#
100	30 × 25	830	220	1230	2.11	1.68	0.80	B43544D6107M0*#
120	25 × 35	690	190	1030	2.42	1.80	0.86	B43544C6127M0*#
120	30 × 30	690	190	1020	2.53	1.91	0.91	B43544D6127M0*#
150	25 × 45	550	150	820	2.87	2.14	1.02	B43544A6157M0*#
150	30 × 35	550	150	820	2.97	2.21	1.06	B43544B6157M0*#
150	35 × 25	560	150	830	3.07	2.28	1.09	B43544C6157M0*#
180	25 × 50	460	130	690	3.27	2.44	1.17	B43544A6187M0*#
180	30 × 35	460	120	680	3.35	2.49	1.19	B43544B6187M0*#
180	35 × 30	460	130	690	3.47	2.58	1.31	B43544C6187M0*#
220	25 × 55	380	110	570	3.80	2.83	1.36	B43544A6227M0*#
220	30 × 40	380	100	560	3.85	2.86	1.45	B43544B6227M0*#
220	35 × 35	380	100	560	3.97	2.95	1.50	B43544C6227M0*#
270	30 × 50	310	85	460	4.47	3.33	1.69	B43544A6277M0*#
270	35 × 40	310	85	460	4.54	3.38	1.72	B43544B6277M0*#
330	30 × 55	250	70	380	5.18	3.85	1.96	B43544A6337M0*#
330	35 × 45	250	70	380	5.20	3.87	1.96	B43544B6337M0*#
390	35 × 50	210	60	320	5.84	4.35	2.21	B43544A6397M0*#
470	35 × 55	180	50	270	6.66	4.96	2.52	B43544A6477M0*#

Composition of ordering code

* = Insulation feature

0 = PVC insulation

6 = PET insulation

8 = PVC insulation with additional PET insulation cap on terminal side

= Terminal style

0 = snap-in standard terminals (6.3 mm)

2 = snap-in 3 terminals (4.5 mm)

7 = snap-in short terminals (4.5 mm)


B43544
Outstanding ripple current, compact – 105 °C
Technical data and ordering codes

C_R 100 Hz 20 °C μF	Case dimensions $d \times l$ mm	ESR_{typ} 100 Hz 20 °C $\text{m}\Omega$	ESR_{typ} 300 Hz 60 °C $\text{m}\Omega$	Z_{max} 10 kHz 20 °C $\text{m}\Omega$	$I_{\text{AC,max}}$ 100 Hz 60 °C A	$I_{\text{AC,max}}$ 100 Hz 85 °C A	$I_{\text{AC,R}}$ 100 Hz 105 °C A	Ordering code (composition see below)
$V_R = 550 \text{ V DC}$								
47	25 × 25	2470	600	3840	0.99	0.99	0.47	B43544B7476M0*#
56	25 × 30	2070	500	3220	1.18	1.12	0.54	B43544B7566M0*#
68	25 × 35	1700	410	2660	1.43	1.28	0.62	B43544C7686M0*#
68	30 × 25	1700	410	2660	1.43	1.35	0.65	B43544D7686M0*#
82	25 × 35	1420	340	2200	1.73	1.45	0.69	B43544C7826M0*#
82	30 × 30	1410	340	2200	1.73	1.53	0.73	B43544D7826M0*#
100	25 × 40	1160	280	1810	2.11	1.67	0.80	B43544D7107M0*#
100	30 × 35	1160	280	1810	2.11	1.75	0.84	B43544E7107M0*#
100	35 × 25	1160	280	1810	2.11	1.82	0.87	B43544F7107M0*#
120	25 × 50	970	230	1510	2.53	1.92	0.92	B43544D7127M0*#
120	30 × 35	970	230	1510	2.53	1.97	0.94	B43544E7127M0*#
120	35 × 30	970	230	1510	2.53	2.05	1.04	B43544F7127M0*#
150	25 × 55	770	190	1210	3.03	2.26	1.09	B43544A7157M0*#
150	30 × 45	770	190	1210	3.08	2.30	1.17	B43544B7157M0*#
150	35 × 35	770	190	1210	3.17	2.37	1.21	B43544C7157M0*#
180	30 × 50	640	150	1010	3.51	2.62	1.33	B43544A7187M0*#
180	35 × 40	650	160	1010	3.59	2.68	1.36	B43544B7187M0*#
220	30 × 55	530	130	830	4.05	3.02	1.54	B43544A7227M0*#
220	35 × 45	530	130	830	4.11	3.07	1.56	B43544B7227M0*#
270	35 × 50	430	110	680	4.73	3.53	1.79	B43544A7277M0*#

Composition of ordering code

* = Insulation feature

0 = PVC insulation

6 = PET insulation

 8 = PVC insulation with additional PET insulation
cap on terminal side

= Terminal style

0 = snap-in standard terminals (6.3 mm)

2 = snap-in 3 terminals (4.5 mm)

7 = snap-in short terminals (4.5 mm)



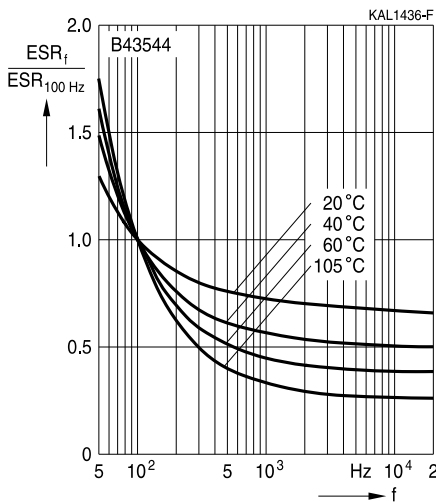
Useful life¹⁾

For useful life calculations, please use our web-based "AlCap Useful Life Calculation Tool", which can be found on the Internet under the following link http://www.epcos.com/designtools/alu_useful_life/Useful_life.swf.

The AlCap Useful Life Calculation Tool provides calculations of useful life as well as additional data for selected capacitor types under operating conditions defined by the user.

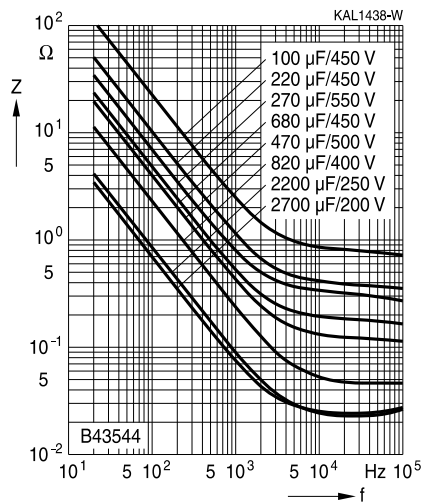
Frequency characteristics of ESR

Typical behavior



Impedance Z versus frequency f

Typical behavior at 20 °C



1) Refer to chapter "General technical information, 5 Useful life" on how to interpret useful life.



B43544

Outstanding ripple current, compact – 105 °C

Cautions and warnings

Personal safety

The electrolytes used by EPCOS have been optimized both with a view to the intended application and with regard to health and environmental compatibility. They do not contain any solvents that are detrimental to health, e.g. dimethyl formamide (DMF) or dimethyl acetamide (DMAC).

Furthermore, some of the high-voltage electrolytes used by EPCOS are self-extinguishing.

As far as possible, EPCOS does not use any dangerous chemicals or compounds to produce operating electrolytes. However, in exceptional cases, such materials must be used in order to achieve specific physical and electrical properties because no alternative materials are currently known. However, the amount of dangerous materials used in our products is limited to an absolute minimum.

Materials and chemicals used in EPCOS aluminum electrolytic capacitors are continuously adapted in compliance with the EPCOS Corporate Environmental Policy and the latest EU regulations and guidelines such as RoHS, REACH/SVHC, GADSL, and ELV.

MDS (Material Data Sheets) are available on the EPCOS website for all types listed in the data book. MDS for customer specific capacitors are available upon request.

MSDS (Material Safety Data Sheets) are available for all of our electrolytes upon request.

Nevertheless, the following rules should be observed when handling aluminum electrolytic capacitors: No electrolyte should come into contact with eyes or skin. If electrolyte does come into contact with the skin, wash the affected areas immediately with running water. If the eyes are affected, rinse them for 10 minutes with plenty of water. If symptoms persist, seek medical treatment. Avoid inhaling electrolyte vapor or mists. Workplaces and other affected areas should be well ventilated. Clothing that has been contaminated by electrolyte must be changed and rinsed in water.



Product safety

The table below summarizes the safety instructions that must be observed without fail. A detailed description can be found in the relevant sections of chapter "General technical information".

Topic	Safety information	Reference chapter "General technical information"
Polarity	Make sure that polar capacitors are connected with the right polarity.	1 "Basic construction of aluminum electrolytic capacitors"
Reverse voltage	Voltages of opposite polarity should be prevented by connecting a diode.	3.1.6 "Reverse voltage"
Mounting position of screw-terminal capacitors	Screw terminal capacitors must not be mounted with terminals facing down unless otherwise specified.	11.1. "Mounting positions of capacitors with screw terminals"
Robustness of terminals	The following maximum tightening torques must not be exceeded when connecting screw terminals: M5: 2.5 Nm M6: 4.0 Nm	11.3 "Mounting torques"
Mounting of single-ended capacitors	The internal structure of single-ended capacitors might be damaged if excessive force is applied to the lead wires. Avoid any compressive, tensile or flexural stress. Do not move the capacitor after soldering to PC board. Do not pick up the PC board by the soldered capacitor. Do not insert the capacitor on the PC board with a hole space different to the lead space specified.	11.4 "Mounting considerations for single-ended capacitors"
Soldering	Do not exceed the specified time or temperature limits during soldering.	11.5 "Soldering"
Soldering, cleaning agents	Do not allow halogenated hydrocarbons to come into contact with aluminum electrolytic capacitors.	11.6 "Cleaning agents"
Upper category temperature	Do not exceed the upper category temperature.	7.2 "Maximum permissible operating temperature"
Passive flammability	Avoid external energy, e.g. fire.	8.1 "Passive flammability"



B43544

Outstanding ripple current, compact – 105 °C

Topic	Safety information	Reference chapter "General technical information"
Active flammability	Avoid overload of the capacitors.	8.2 "Active flammability"
Maintenance	Make periodic inspections of the capacitors. Before the inspection, make sure that the power supply is turned off and carefully discharge the electricity of the capacitors. Do not apply excessive mechanical stress to the capacitor terminals when mounting.	10 "Maintenance"
Storage	Do not store capacitors at high temperatures or high humidity. Capacitors should be stored at +5 to +35 °C and a relative humidity of ≤ 75%.	7.3 "Shelf life and storage conditions"
		Reference chapter "Capacitors with screw terminals"
Breakdown strength of insulating sleeves	Do not damage the insulating sleeve, especially when ring clips are used for mounting.	"Screw terminals – accessories"

Display of ordering codes for EPCOS products

The ordering code for one and the same product can be represented differently in data sheets, data books, other publications and the website of EPCOS, or in order-related documents such as shipping notes, order confirmations and product labels. The varying representations of the ordering codes are due to different processes employed and do not affect the specifications of the respective products. Detailed information can be found on the Internet under www.epcos.com/orderingcodes.


Symbols and terms

Symbol	English	German
C	Capacitance	Kapazität
C_R	Rated capacitance	Nennkapazität
C_S	Series capacitance	Serienkapazität
$C_{S,T}$	Series capacitance at temperature T	Serienkapazität bei Temperatur T
C_f	Capacitance at frequency f	Kapazität bei Frequenz f
d	Case diameter, nominal dimension	Gehäusedurchmesser, Nennmaß
d_{max}	Maximum case diameter	Maximaler Gehäusedurchmesser
ESL	Self-inductance	Eigeninduktivität
ESR	Equivalent series resistance	Ersatzserienwiderstand
ESR_f	Equivalent series resistance at frequency f	Ersatzserienwiderstand bei Frequenz f
ESR_T	Equivalent series resistance at temperature T	Ersatzserienwiderstand bei Temperatur T
f	Frequency	Frequenz
I	Current	Strom
I_{AC}	Alternating current (ripple current)	Wechselstrom
$I_{AC,RMS}$	Root-mean-square value of alternating current	Wechselstrom, Effektivwert
$I_{AC,f}$	Ripple current at frequency f	Wechselstrom bei Frequenz f
$I_{AC,max}$	Maximum permissible ripple current	Maximal zulässiger Wechselstrom
$I_{AC,R}$	Rated ripple current	Nennwechselstrom
I_{leak}	Leakage current	Reststrom
$I_{leak,op}$	Operating leakage current	Betriebsreststrom
l	Case length, nominal dimension	Gehäuselänge, Nennmaß
l_{max}	Maximum case length (without terminals and mounting stud)	Maximale Gehäuselänge (ohne Anschlüsse und Gewindebolzen)
R	Resistance	Widerstand
R_{ins}	Insulation resistance	Isolationswiderstand
R_{symm}	Balancing resistance	Symmetrierwiderstand
T	Temperature	Temperatur
ΔT	Temperature difference	Temperaturdifferenz
T_A	Ambient temperature	Umgebungstemperatur
T_C	Case temperature	Gehäusetemperatur
T_B	Capacitor base temperature	Temperatur des Gehäusebodens
t	Time	Zeit
Δt	Period	Zeitraum
t_b	Service life (operating hours)	Brauchbarkeitsdauer (Betriebszeit)



B43544

Outstanding ripple current, compact – 105 °C

Symbol	English	German
V	Voltage	Spannung
V _F	Forming voltage	Formierspannung
V _{op}	Operating voltage	Betriebsspannung
V _R	Rated voltage, DC voltage	Nennspannung, Gleichspannung
V _S	Surge voltage	Spitzenspannung
X _C	Capacitive reactance	Kapazitiver Blindwiderstand
X _L	Inductive reactance	Induktiver Blindwiderstand
Z	Impedance	Scheinwiderstand
Z _T	Impedance at temperature T	Scheinwiderstand bei Temperatur T
tan δ	Dissipation factor	Verlustfaktor
λ	Failure rate	Ausfallrate
ε ₀	Absolute permittivity	Elektrische Feldkonstante
ε _r	Relative permittivity	Dielektrizitätszahl
ω	Angular velocity; 2 · π · f	Kreisfrequenz; 2 · π · f

Note

All dimensions are given in mm.

Important notes

The following applies to all products named in this publication:

1. Some parts of this publication contain **statements about the suitability of our products for certain areas of application**. These statements are based on our knowledge of typical requirements that are often placed on our products in the areas of application concerned. We nevertheless expressly point out **that such statements cannot be regarded as binding statements about the suitability of our products for a particular customer application**. As a rule, EPCOS is either unfamiliar with individual customer applications or less familiar with them than the customers themselves. For these reasons, it is always ultimately incumbent on the customer to check and decide whether an EPCOS product with the properties described in the product specification is suitable for use in a particular customer application.
2. We also point out that **in individual cases, a malfunction of electronic components or failure before the end of their usual service life cannot be completely ruled out in the current state of the art, even if they are operated as specified**. In customer applications requiring a very high level of operational safety and especially in customer applications in which the malfunction or failure of an electronic component could endanger human life or health (e.g. in accident prevention or lifesaving systems), it must therefore be ensured by means of suitable design of the customer application or other action taken by the customer (e.g. installation of protective circuitry or redundancy) that no injury or damage is sustained by third parties in the event of malfunction or failure of an electronic component.
3. **The warnings, cautions and product-specific notes must be observed.**
4. In order to satisfy certain technical requirements, **some of the products described in this publication may contain substances subject to restrictions in certain jurisdictions (e.g. because they are classed as hazardous)**. Useful information on this will be found in our Material Data Sheets on the Internet (www.epcos.com/material). Should you have any more detailed questions, please contact our sales offices.
5. We constantly strive to improve our products. Consequently, **the products described in this publication may change from time to time**. The same is true of the corresponding product specifications. Please check therefore to what extent product descriptions and specifications contained in this publication are still applicable before or when you place an order. We also **reserve the right to discontinue production and delivery of products**. Consequently, we cannot guarantee that all products named in this publication will always be available. The aforementioned does not apply in the case of individual agreements deviating from the foregoing for customer-specific products.
6. Unless otherwise agreed in individual contracts, **all orders are subject to the current version of the "General Terms of Delivery for Products and Services in the Electrical Industry" published by the German Electrical and Electronics Industry Association (ZVEI)**.

Important notes

7. The trade names EPCOS, Alu-X, CeraDiode, CeraLink, CeraPad, CeraPlas, CSMP, CSSP, CTVS, DeltaCap, DigiSiMic, DSSP, ExoCore, FilterCap, FormFit, LeaXield, MiniBlue, MiniCell, MKD, MKK, MotorCap, PCC, PhaseCap, PhaseCube, PhaseMod, PhiCap, PQSine, SIFERRIT, SIFI, SIKOREL, SilverCap, SIMDAD, SiMic, SIMID, SineFormer, SIOV, SIP5D, SIP5K, TFAP, ThermoFuse, WindCap are **trademarks registered or pending** in Europe and in other countries. Further information will be found on the Internet at www.epcos.com/trademarks.