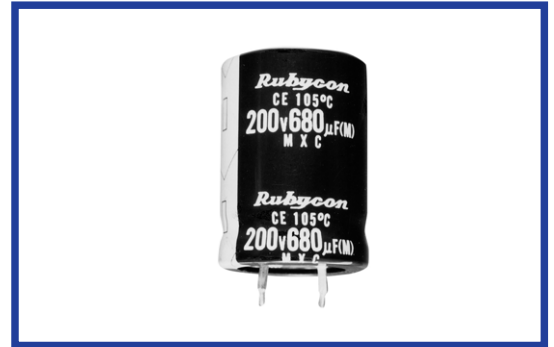


MXC シリーズ
SÉRIES

105°C 標準品
105°C Standard

・105°C 3000時間品。
Load Life : 105°C 3000 hours.



◆規格表 / SPECIFICATIONS

項目 Items	特 性 Characteristics																									
カテゴリ温度範囲 Category Temperature Range	-40~+105°C	-25~+105°C																								
定格電圧範囲 Rated Voltage Range	10~250Vdc	315~450Vdc																								
静電容量許容差 Capacitance Tolerance	±20% (20°C, 120Hz)																									
漏れ電流 Leakage Current (MAX)	$I=3\sqrt{CV}$ (定格電圧印加5分後) $I=3\sqrt{CV}$ (After 5 minutes application of rated voltage) I=漏れ電流(μA) Leakage Current C=静電容量(μF) Capacitance V=定格電圧(Vdc) Rated Voltage																									
損失角の正接 (tanδ) Dissipation Factor (MAX)	<table border="1"> <thead> <tr> <th>定格電圧(Vdc) Rated Voltage</th> <th>10</th> <th>16</th> <th>25</th> <th>35</th> <th>50</th> <th>63</th> <th>80</th> <th>100</th> <th>160~400</th> <th>420~450</th> <th>(20°C, 120Hz)</th> </tr> </thead> <tbody> <tr> <td>tanδ</td> <td>0.55</td> <td>0.50</td> <td>0.45</td> <td>0.40</td> <td>0.35</td> <td>0.30</td> <td>0.25</td> <td>0.20</td> <td>0.15</td> <td>0.20</td> <td></td> </tr> </tbody> </table>		定格電圧(Vdc) Rated Voltage	10	16	25	35	50	63	80	100	160~400	420~450	(20°C, 120Hz)	tanδ	0.55	0.50	0.45	0.40	0.35	0.30	0.25	0.20	0.15	0.20	
定格電圧(Vdc) Rated Voltage	10	16	25	35	50	63	80	100	160~400	420~450	(20°C, 120Hz)															
tanδ	0.55	0.50	0.45	0.40	0.35	0.30	0.25	0.20	0.15	0.20																
耐 久 性 Endurance	105°C中で3000時間定格電圧(リップル重畳)印加後、下記項目を満足すること。 After applying rated voltage with rated ripple current for 3000 hours at 105°C, the capacitors shall meet the following requirements.																									
	静電容量変化率 Capacitance Change	初期値の±20%以内 Within ±20% of the initial value.																								
	損失角の正接 Dissipation Factor	規格値の200%以下 Not more than 200% of the specified value.																								
	漏れ電流 Leakage Current	規格値以下 Not more than the specified value.																								
低温特性 Low Temperature Stability (インピーダンス比) Impedance Ratio (MAX)	<table border="1"> <thead> <tr> <th>定格電圧(Vdc) Rated Voltage</th> <th>10~250</th> <th>315~450</th> <th>(120Hz)</th> </tr> </thead> <tbody> <tr> <td>Z(-25°C)/Z(20°C)</td> <td>3</td> <td>8</td> <td></td> </tr> <tr> <td>Z(-40°C)/Z(20°C)</td> <td>12</td> <td>-</td> <td></td> </tr> </tbody> </table>	定格電圧(Vdc) Rated Voltage	10~250	315~450	(120Hz)	Z(-25°C)/Z(20°C)	3	8		Z(-40°C)/Z(20°C)	12	-														
定格電圧(Vdc) Rated Voltage	10~250	315~450	(120Hz)																							
Z(-25°C)/Z(20°C)	3	8																								
Z(-40°C)/Z(20°C)	12	-																								

◆リップル電流補正係数 / MULTIPLIER FOR RIPPLE CURRENT

周波数(Hz) Frequency	60(50)	120(100)	300	500	1k	10k≤
10~100Vdc	0.90	1.00	1.03	1.05	1.10	1.15
160~250Vdc	0.80	1.00	1.15	1.20	1.30	1.50
315~450Vdc	0.80	1.00	1.15	1.20	1.25	1.40

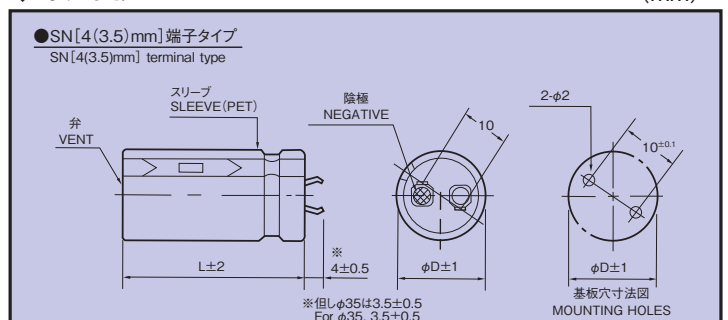
◆呼称方法 / PART NUMBER

□□□	MXC	□□□□□	M	□□□	SN	D×L
定格電圧 Rated Voltage	シリーズ名 Series	静電容量 Capacitance	静電容量許容差 Capacitance Tolerance	副記号 Option	端子記号 Terminal Code	ケースサイズ Case Size

◆副記号 / OPTION

	記号 Code
PETスリーブ、底板なし PET Sleeve without plate	EFC

◆寸法図 / DIMENSIONS





基板自立形アルミニウム電解コンデンサ

SNAP-IN ALUMINUM ELECTROLYTIC CAPACITORS

MXC

◆標準品一覧表 STANDARD SIZE

Cap (μ F)	Vdc ϕ D	10					16					
		ϕ 20	ϕ 22	ϕ 25	ϕ 30	ϕ 35	ϕ 20	ϕ 22	ϕ 25	ϕ 30	ϕ 35	
6800		20×25:1.31					20×25:1.80					
8200		20×30:1.59					20×30:2.08	22×25:2.08				
10000		20×30:1.88	22×25:1.77				20×35:2.15	22×30:2.15				
12000		20×35:2.18	22×30:2.10	25×25:1.94			20×40:2.31	22×30:2.31	25×25:2.31			
15000		20×40:2.27	22×35:2.23	25×30:2.10				22×35:2.68	25×30:2.68			
18000			22×40:2.41	25×30:2.34	30×25:2.25			22×40:3.20	25×30:3.20	30×25:3.20		
22000			22×45:2.58	25×35:2.54	30×30:2.50			22×45:3.36	25×35:3.36	30×30:3.36		
27000			22×50:3.17	25×40:3.07	30×30:2.95			22×50:3.85	25×40:3.85	30×30:3.85		
33000				25×45:3.39	30×35:3.33	35×30:3.21			25×45:4.30	30×35:4.30	35×30:4.30	
39000					30×40:3.70	35×35:3.68			25×50:4.81	30×40:4.81	35×35:4.81	
47000					30×45:4.22	35×40:4.16				30×45:5.53	35×40:5.53	
56000						35×45:5.00				30×50:6.00	35×45:6.00	
68000											35×50:6.40	

Cap (μ F)	Vdc ϕ D	25					35					
		ϕ 20	ϕ 22	ϕ 25	ϕ 30	ϕ 35	ϕ 20	ϕ 22	ϕ 25	ϕ 30	ϕ 35	
2700							20×25:1.29					
3300							20×30:1.57					
3900							20×30:1.78	22×25:1.78				
4700		20×25:1.65					20×35:2.02	22×30:2.02				
5600		20×30:1.85	22×25:1.85				20×40:2.13	22×35:2.13	25×25:2.13			
6800		20×35:2.11	22×30:2.11					22×40:2.41	25×30:2.41			
8200		20×40:2.34	22×30:2.34	25×25:2.34				22×45:2.85	25×35:2.85	30×25:2.85		
10000			22×35:2.65	25×30:2.65				22×50:3.05	25×40:3.05	30×30:3.05		
12000			22×40:2.81	25×30:2.81	30×25:2.81				25×45:3.37	30×35:3.37	35×30:3.37	
15000			22×45:3.13	25×35:3.13	30×30:3.13				25×50:3.72	30×40:3.72	35×35:3.72	
18000				25×40:3.56	30×30:3.56					30×45:4.37	35×35:4.37	
22000				25×50:4.04	30×35:4.04	35×30:4.04				30×50:4.92	35×40:4.92	
27000					30×40:4.74	35×35:4.74					35×50:5.30	
33000					30×50:5.50	35×40:5.50						
39000						35×45:5.80						
47000						35×50:6.30						

Cap (μ F)	Vdc ϕ D	50					63					
		ϕ 20	ϕ 22	ϕ 25	ϕ 30	ϕ 35	ϕ 20	ϕ 22	ϕ 25	ϕ 30	ϕ 35	
1200							20×25:1.20					
1500							20×30:1.47	22×25:1.47				
1800		20×25:1.39					20×35:1.58	22×30:1.58				
2200		20×30:1.60	22×25:1.60				20×40:1.82	22×35:1.82	25×25:1.82			
2700		20×35:1.73	22×30:1.73	25×25:1.73				22×35:2.11	25×30:2.11			
3300		20×40:1.97	22×35:1.97	25×30:1.97				22×45:2.33	25×35:2.33	30×25:2.33		
3900			22×40:2.22	25×30:2.22				22×50:2.55	25×40:2.55	30×30:2.55		
4700			22×45:2.43	25×35:2.43	30×25:2.43				25×45:2.97	30×35:2.97		
5600			22×50:2.75	25×40:2.75	30×30:2.75				25×50:3.22	30×35:3.22	35×30:3.22	
6800				25×45:3.30	30×35:3.30					30×40:3.65	35×35:3.65	
8200				25×50:3.60	30×40:3.60	35×30:3.60				30×50:4.04	35×40:4.04	
10000					30×45:4.05	35×35:4.05					35×45:4.48	
12000					30×50:4.56	35×40:4.56					35×50:4.75	
15000						35×50:4.77						

Cap (μ F)	Vdc ϕ D	80					100					
		ϕ 20	ϕ 22	ϕ 25	ϕ 30	ϕ 35	ϕ 20	ϕ 22	ϕ 25	ϕ 30	ϕ 35	
560							20×25:0.95					
680							20×30:1.15	22×25:1.15				
820		20×25:1.04					20×35:1.32	22×30:1.32				
1000		20×30:1.24	22×25:1.24				20×35:1.47	22×30:1.47	25×25:1.47			
1200		20×35:1.44	22×30:1.44				20×40:1.69	22×35:1.69	25×30:1.69			
1500		20×35:1.59	22×30:1.59	25×25:1.59				22×40:1.98	25×35:1.98	30×25:1.98		
1800		20×40:1.79	22×35:1.79	25×30:1.79				22×45:2.23	25×35:2.23	30×30:2.23		
2200			22×40:2.03	25×30:2.03	30×25:2.03				25×45:2.55	30×35:2.55	35×30:2.55	
2700			22×45:2.39	25×35:2.39	30×30:2.39				25×50:2.89	30×40:2.89	35×30:2.89	
3300				25×40:2.64	30×35:2.64					30×45:3.30	35×35:3.30	
3900				25×50:2.97	30×35:2.97	35×30:2.97				30×50:3.67	35×40:3.67	
4700					30×40:3.38	35×35:3.38					35×45:3.80	
5600					30×45:3.80	35×40:3.80					35×50:4.05	
6800						35×45:4.10						
8200						35×50:4.30						

↑ リプル電流 Ripple Current (A r.m.s./120Hz, 105°C)
↑ ケースサイズ Case Size ϕ D×L(mm)



基板自立形アルミニウム電解コンデンサ

SNAP-IN ALUMINUM ELECTROLYTIC CAPACITORS

MXC

◆標準品一覧表 STANDARD SIZE

Cap (μ F)	Vdc ϕ D	160					180				
		ϕ 20	ϕ 22	ϕ 25	ϕ 30	ϕ 35	ϕ 20	ϕ 22	ϕ 25	ϕ 30	ϕ 35
270	20x25:1.10						20x25:0.93				
330	20x30:1.20	22x25:1.21					20x30:1.20	22x25:1.20			
390	20x30:1.24	22x25:1.30					20x35:1.30	22x30:1.35			
470	20x35:1.42	22x30:1.41					20x40:1.40	22x35:1.42	25x25:1.38		
560	20x40:1.57	22x35:1.54	25x25:1.51				20x45:1.55	22x40:1.60	25x30:1.55		
680	20x45:1.70	22x40:1.74	25x30:1.74	30x25:1.74				22x45:1.78	25x35:1.78	30x25:1.55	
820		22x45:2.00	25x35:2.00	30x30:2.00				22x50:2.00	25x40:2.00	30x30:2.00	35x25:2.00
1000		22x50:2.25	25x40:2.25	30x30:2.25	35x25:2.25			25x45:2.25	30x35:2.25	35x30:2.26	
1200			25x45:2.49	30x35:2.49	35x30:2.45			25x50:2.54	30x40:2.52	35x30:2.60	
1500				30x40:2.84	35x30:2.68					30x45:2.90	35x35:2.95
1800				30x45:3.32	35x35:3.00					30x50:3.00	35x40:3.30
2200					35x45:3.50						35x50:3.65
2700					35x50:4.00						

Cap (μ F)	Vdc ϕ D	200					220				
		ϕ 20	ϕ 22	ϕ 25	ϕ 30	ϕ 35	ϕ 20	ϕ 22	ϕ 25	ϕ 30	ϕ 35
180							20x25:0.86				
220	20x25:1.00						20x30:1.04	22x25:0.99			
270	20x30:1.10	22x25:1.10					20x30:1.08	22x25:1.04			
330	20x30:1.15	22x30:1.25					20x35:1.30	22x30:1.32	25x25:1.26		
390	20x35:1.25	22x30:1.31	25x25:1.31				20x40:1.45	22x35:1.42	25x30:1.45		
470	20x40:1.42	22x35:1.45	25x30:1.45				20x45:1.63	22x40:1.67	25x30:1.54	30x25:1.48	
560		22x40:1.60	25x30:1.60	30x25:1.60				22x45:1.77	25x35:1.66	30x30:1.65	
680		22x45:1.75	25x35:1.78	30x30:1.78				25x40:1.87	30x30:1.82	35x25:1.78	
820		22x50:1.95	25x40:1.95	30x30:2.00				25x45:2.04	30x35:2.00	35x30:1.93	
1000			25x45:2.10	30x35:2.30	35x30:2.30					30x40:2.48	35x35:2.33
1200				30x40:2.64	35x35:2.65					30x45:2.88	35x40:2.65
1500				30x50:3.08	35x40:3.08						35x45:2.96
1800					35x45:3.48						35x50:3.39
2200					35x50:3.55						

Cap (μ F)	Vdc ϕ D	250					315				
		ϕ 20	ϕ 22	ϕ 25	ϕ 30	ϕ 35	ϕ 20	ϕ 22	ϕ 25	ϕ 30	ϕ 35
82							20x25:0.64				
100							20x30:0.69	22x25:0.62			
120							20x30:0.75	22x25:0.75	25x25:0.76		
150							20x35:0.82	22x30:0.82	25x25:0.82		
180							20x40:0.90	22x35:0.92	25x25:0.90		
220	20x30:1.00	22x25:1.00					20x50:1.00	22x40:1.04	25x30:1.04	30x25:1.04	
270	20x35:1.10	22x30:1.15						22x45:1.16	25x35:1.15	30x25:1.15	35x25:1.15
330	20x40:1.20	22x35:1.28						22x50:1.22	25x40:1.23	30x30:1.33	35x25:1.32
390	20x45:1.35	22x40:1.49	25x30:1.35	30x25:1.49				25x45:1.40	30x35:1.47	35x30:1.47	
470		22x45:1.60	25x35:1.57	30x30:1.65					30x40:1.70	35x30:1.70	
560		22x50:1.72	25x40:1.80	30x30:1.80					30x45:2.05	35x35:1.90	
680			25x45:1.85	30x35:2.00	35x30:2.00				30x50:2.14	35x40:2.17	
820			25x50:2.10	30x40:2.18	35x35:2.30					35x45:2.20	
1000				30x45:2.40	35x35:2.35						
1200					35x40:2.50						
1500					35x50:3.00						

Cap (μ F)	Vdc ϕ D	350					385				
		ϕ 20	ϕ 22	ϕ 25	ϕ 30	ϕ 35	ϕ 20	ϕ 22	ϕ 25	ϕ 30	ϕ 35
56							20x25:0.42				
68	20x25:0.47						20x30:0.47	22x25:0.49			
82	20x30:0.55						20x30:0.52	22x25:0.55			
100	20x30:0.60	22x25:0.69					20x35:0.60	22x30:0.66	25x25:0.66		
120	20x35:0.70	22x30:0.75	25x25:0.75				20x40:0.68	22x35:0.71	25x25:0.71		
150	20x40:0.78	22x35:0.82	25x30:0.83					22x40:0.83	25x30:0.83	30x25:0.77	
180	20x45:0.88	22x40:0.92	25x30:0.92	30x25:0.92				22x45:0.92	25x35:0.92	30x30:0.89	
220		22x45:1.05	25x35:1.05	30x30:1.02				22x50:1.03	25x40:1.03	30x30:1.01	35x25:1.03
270		22x50:1.18	25x40:1.18	30x30:1.18	35x25:1.20			25x45:1.14	30x35:1.15	35x30:1.13	
330			25x45:1.30	30x35:1.35	35x30:1.22				30x40:1.32	35x30:1.35	
390			25x50:1.45	30x40:1.52	35x35:1.48				30x45:1.46	35x35:1.50	
470				30x45:1.65	35x35:1.70				30x50:1.72	35x40:1.79	
560				30x50:1.85	35x40:1.90					35x45:1.99	
680					35x45:2.00						

↑ リプル電流 Ripple Current (A r.m.s./120Hz, 105°C)
↑ ケースサイズ Case Size ϕ D×L(mm)

◆標準品一覧表 STANDARD SIZE

Cap (μ F)	Vdc ϕ D	400					420						
		ϕ 20	ϕ 22	ϕ 25	ϕ 30	ϕ 35	ϕ 20	ϕ 22	ϕ 25	ϕ 30	ϕ 35		
56		20×25:0.51					20×25:0.44						
68		20×30:0.56	22×25:0.52				20×30:0.49	22×25:0.51					
82		20×30:0.64	22×25:0.64				20×35:0.54	22×30:0.65	25×25:0.65				
100		20×35:0.70	22×30:0.70	25×25:0.70			20×35:0.61	22×30:0.68	25×25:0.67				
120		20×40:0.75	22×35:0.75	25×25:0.75			20×40:0.70	22×35:0.73	25×30:0.76	30×25:0.81			
150		20×45:0.83	22×40:0.88	25×30:0.88	30×25:0.82		20×45:0.78	22×40:0.86	25×35:0.87	30×25:0.84			
180			22×45:0.98	25×35:0.98	30×30:0.95			22×45:0.96	25×35:0.95	30×30:0.97	35×25:0.91		
220			22×50:1.10	25×40:1.10	30×30:1.10	35×25:1.10			25×40:1.08	30×35:1.14	35×30:1.07		
270				25×45:1.21	30×35:1.22	35×30:1.22			25×50:1.38	30×35:1.20	35×35:1.29		
330					30×40:1.44	35×30:1.44				30×40:1.37	35×35:1.44		
390					30×45:1.55	35×35:1.60				30×45:1.50	35×40:1.63		
470						35×40:1.90					35×45:1.88		
560						35×45:2.12							

Cap (μ F)	Vdc ϕ D	450				
		ϕ 20	ϕ 22	ϕ 25	ϕ 30	ϕ 35
47		20×25:0.39				
56		20×30:0.51	22×25:0.44			
68		20×35:0.56	22×30:0.53			
82		20×35:0.64	22×30:0.64	25×25:0.64		
100		20×45:0.69	22×35:0.69	25×30:0.69	30×25:0.69	
120		20×50:0.75	22×40:0.75	25×30:0.75	30×25:0.80	
150			22×45:0.88	25×35:0.88	30×30:0.88	35×25:0.75
180				25×40:0.95	30×30:1.00	35×30:0.86
220				25×45:1.10	30×35:1.12	35×30:1.05
270					30×40:1.28	35×35:1.27
330					30×50:1.45	35×40:1.45
390						35×40:1.65
470						35×50:1.85

↑ リプル電流 Ripple Current (A r.m.s./120Hz, 105°C)
 ↑ ケースサイズ Case Size ϕ D×L(mm)