

ALUMINUM ELECTROLYTIC CAPACITORS



DQ series 105°C Horizontal Mounting Type



DQ



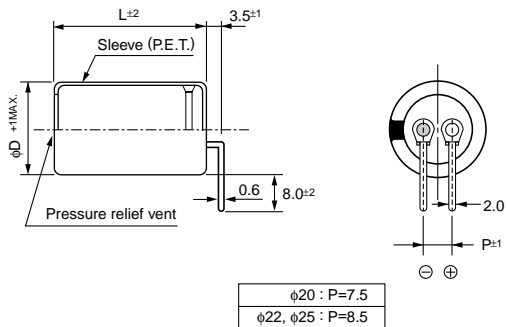
- Horizontal mounting version for $\phi 20$, $\phi 22$ and $\phi 25$.
- Suited for use in flat electronic devices where height space is limited.
- Adapted to the RoHS directive (2002/95/EC).

Products which are scheduled to be discontinued.
Not recommended for new designs

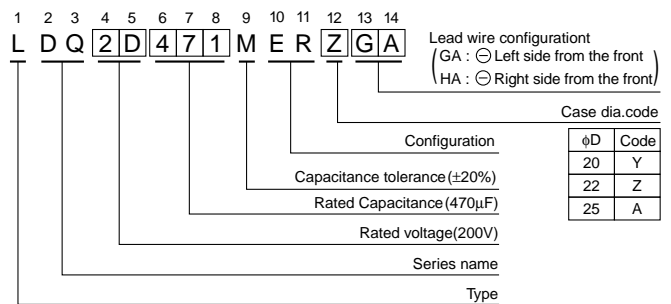
Specifications

Item	Performance Characteristics	
Category Temperature Range	- 40 to +105°C (200V), - 25 to +105°C (400V)	
Rated Voltage Range	200 · 400V	
Rated Capacitance Range	68 to 1200 μ F	
Capacitance Tolerance	$\pm 20\%$ at 120Hz, 20°C	
Leakage Current	$I \leq 3\sqrt{CV}$ (μ A) (After 5 minutes' application of rated voltage) [C : Rated Capacitance (μ F) V : Voltage (V)]	
Tangent of loss angle (tan δ)	Measurement frequency : 120Hz, Temperature : 20°C	
	Rated voltage (V)	200 400
Stability at Low Temperature	Measurement frequency : 120Hz	
	Impedance ratio	Z - 25°C/Z+20°C 3 8
Endurance	The specifications listed at right shall be met when the capacitors are restored to 20°C after D.C. bias plus rated ripple current is applied for 2000 hours at 105°C, the peak voltage shall not exceed the rated voltage.	
	Capacitance change	tan δ
Shelf Life	After storing the capacitors under no load at 105°C for 1000 hours, and after performing voltage treatment based on JIS C 5101-4 clause 4.1 at 20°C, they will meet the requirements listed at right.	
	Capacitance change	tan δ
Marking	Printed with white color letter on black sleeve.	

Drawing



Type numbering system (Example : 200V 470 μ F)



Dimensions

Cap. (μ F)	V (Code)	200V (2D)				400V (2G)			
		20		22		20		22	
68	680					20×30	0.56		
82	820					20×30	0.64		
100	101					20×35	0.70		
120	121					20×40	0.75	22×35	0.75
150	151					20×45	0.83	22×40	0.88
180	181					20×50	0.95	22×45	0.95
220	221							22×50	1.10
270	271	20×30	1.10					22×60	1.22
330	331	20×35	1.20					25×45	1.22
390	391	20×40	1.31					25×50	1.44
470	471	20×45	1.45	22×35	1.45				
560	561	20×50	1.58	22×40	1.60	25×35	1.60		
680	681			22×45	1.78	25×40	1.78		
820	821			22×60	2.04	25×45	2.04		
1000	102					25×50	2.30		
1200	122					25×60	2.65		

* Other rating also available on request.

Rated Ripple (Arms) at 105°C, 120Hz

Frequency coefficient of rated ripple current

Frequency (Hz)	50	60	120	300	1k	10k	50k or more
200V	0.81	0.85	1.00	1.17	1.32	1.45	1.50
400V	0.77	0.82	1.00	1.16	1.30	1.41	1.43

Minimum order quantity : 50pcs.

CAT.8100X