

# Aluminum electrolytic capacitors

## Snap-in capacitors

**Series/Type:** B41505

**Date:** December 2016

© EPCOS AG 2016. Reproduction, publication and dissemination of this publication, enclosures hereto and the information contained therein without EPCOS' prior express consent is prohibited.

EPCOS AG is a TDK Group Company.

## Long-life grade capacitors

### Applications

- Professional power supplies

### Features

- Long useful life
- High reliability
- Outstanding ripple current capability
- Low ESR
- Capacitors pass the needle flame test according to IEC 60695-11-5 for all flame exposure times up to 120 s
- RoHS-compatible

### Construction

- Charge/discharge-proof, polar
- Aluminum case, fully insulated with PVC
- Snap-in solder pins to hold component in place on PC-board
- Minus pole marking on case surface
- Minus pole not insulated from case
- Overload protection by safety vent on the base

### Terminals

- Standard version with 2 terminals,  
2 lengths available: 6.3 and 4.5 mm
- 3 terminals to ensure correct insertion: length 4.5 mm




**Specifications and characteristics in brief**

Rated voltage $V_R$	10 ... 100 V DC					
Surge voltage $V_S$	$1.15 \cdot V_R$					
Rated capacitance $C_R$	560 ... 33000 $\mu\text{F}$					
Capacitance tolerance	$\pm 20\% \triangleq M$					
Dissipation factor $\tan \delta$ (20 °C, 100 Hz)	$V_R = 10 \text{ V DC: } \tan \delta \leq 0.20$ $V_R = 16 \text{ V DC: } \tan \delta \leq 0.15$ $V_R = 25 \text{ V DC: } \tan \delta \leq 0.11$ $V_R = 35 \text{ V DC: } \tan \delta \leq 0.10$ $V_R = 50 \text{ V DC: } \tan \delta \leq 0.08$ $V_R = 63 \dots 100 \text{ V DC: } \tan \delta \leq 0.06$					
Leakage current $I_{\text{leak}}$ (5 min, 20 °C)	$I_{\text{leak}} \leq 0.3 \mu\text{A} \cdot \left( \frac{C_R}{\mu\text{F}} \cdot \frac{V_R}{V} \right)^{0.7} + 4 \mu\text{A}$					
Self-inductance ESL	Approx. 20 nH					
Useful life <sup>1)</sup>		Requirements:				
105 °C; $V_R$ ; $I_{\text{AC,R}}$	> 5000 h	$ \Delta C/C  \leq 45\%$ of initial value				
85 °C; $V_R$ ; $I_{\text{AC,max}}$	> 12000 h	$\tan \delta \leq 3$ times initial specified limit				
40 °C; $V_R$ ; $2.1 \cdot I_{\text{AC,R}}$	> 25000 h	$I_{\text{leak}} \leq$ initial specified limit				
Load life test		Post test requirements:				
105 °C; $V_R$ ; $I_{\text{AC,R}}$	4000 h	$ \Delta C/C  \leq 20\%$ of initial value				
		$\tan \delta \leq 2$ times initial specified limit				
		$I_{\text{leak}} \leq$ initial specified limit				
Voltage endurance test		Post test requirements:				
105 °C; $V_R$	2000 h	$ \Delta C/C  \leq 15\%$ of initial value				
		$\tan \delta \leq 1.3$ times initial specified limit				
		$I_{\text{leak}} \leq$ initial specified limit				
Vibration resistance test	To IEC 60068-2-6, test Fc: Frequency range 10 Hz ... 55 Hz, displacement amplitude 0.35 mm, acceleration max. 5 g, duration $3 \times 2$ h. Capacitor mounted by its body which is rigidly clamped to the work surface.					
Characteristics at low temperature	Max. impedance ratio at 120 Hz	<table border="1"> <tr> <td><math>Z_{-25\text{ °C}} / Z_{20\text{ °C}}</math></td> <td>2</td> </tr> <tr> <td><math>Z_{-40\text{ °C}} / Z_{20\text{ °C}}</math></td> <td>3</td> </tr> </table>	$Z_{-25\text{ °C}} / Z_{20\text{ °C}}$	2	$Z_{-40\text{ °C}} / Z_{20\text{ °C}}$	3
$Z_{-25\text{ °C}} / Z_{20\text{ °C}}$	2					
$Z_{-40\text{ °C}} / Z_{20\text{ °C}}$	3					
IEC climatic category	To IEC 60068-1: 40/105/56 (–40 °C/+105 °C/56 days damp heat test)					
Sectional specification	IEC 60384-4					

1) Refer to chapter "General technical information, 5 Useful life" on how to interpret useful life.

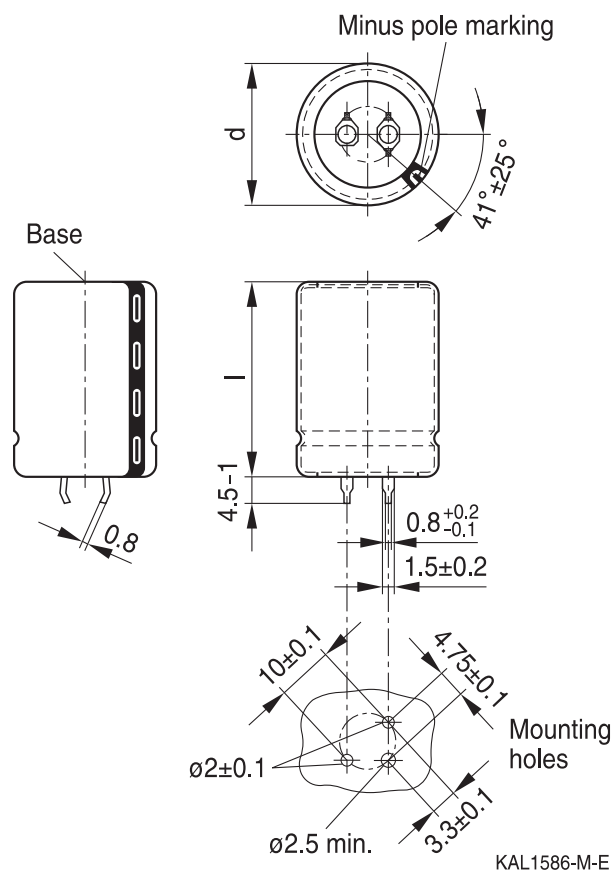
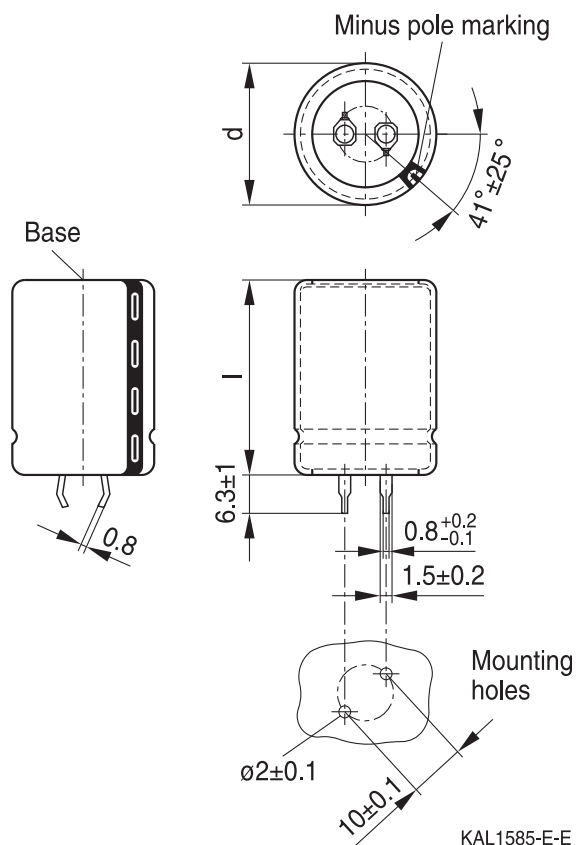


B41505

Excellent performance – 105 °C

### Dimensional drawings

#### Snap-in capacitors with standard insulation (PVC)



Snap-in terminals, length ( $6.3 \pm 1$ ) mm. Also available in a shorter version with a length of ( $4.5 - 1$ ) mm. Safety vent on the base.

Snap-in capacitors are also available with 3 terminals (length ( $4.5 - 1$ ) mm). Safety vent on the base.

Dimensions (mm)		Approx. weight (g)	Packing units (pcs.)
$d + 1$	$l \pm 2$		
22	25	9	160
22	30	12	160
22	35	15	160
22	40	18	160
25	25	13	130
25	30	17	130
25	35	19	130
25	40	22	130

Dimensions (mm)		Approx. weight (g)	Packing units (pcs.)
$d + 1$	$l \pm 2$		
30	25	17	80
30	30	23	80
30	35	29	80
30	40	36	80
30	45	41	80
30	50	46	80
35	35	36	60
35	40	41	60
35	45	56	60
35	50	70	60

B41505

Excellent performance – 105 °C



### Ordering codes for terminal styles and insulation features

Identification in 3<sup>rd</sup> block of ordering code

Snap-in capacitors

Terminal version	Insulation version
	PVC
Standard terminals 6.3 mm	M000
Short terminals 4.5 mm	M007
3 terminals 4.5 mm	M002

Ordering examples:

B41505A5109M007 } snap-in capacitor with short terminals  
 B41505A5109M002 } snap-in capacitor with 3 terminals



**B41505**

**Excellent performance – 105 °C**

### Overview of available types

The capacitance and voltage ratings listed below are available in different case sizes upon request. Other voltage and capacitance ratings are also available upon request.

V <sub>R</sub> (V DC)	10	16	25	35	50	63	80	100
	Case dimensions d × l (mm)							
C <sub>R</sub> (μF)								
560								25 × 25
680								22 × 35
1000						22 × 25	25 × 25	25 × 35 30 × 30
1200							30 × 25	
1500						22 × 35	25 × 35	30 × 40
2200				22 × 25	22 × 35	25 × 35 30 × 30	30 × 35	30 × 50
3300				22 × 30 25 × 25	25 × 35	30 × 40	35 × 35	35 × 50
4700			22 × 30 25 × 25	22 × 40	30 × 35	35 × 35	35 × 45	
6800	22 × 25	22 × 30	25 × 30	25 × 40	30 × 50	35 × 50		
10000	22 × 30	25 × 30	25 × 40	30 × 40	35 × 45			
15000	22 × 40	25 × 40	30 × 40	35 × 40				
18000				35 × 45				
22000	30 × 35	30 × 40						
33000	30 × 45							


**Technical data and ordering codes**

$C_R$ 100 Hz 20 °C $\mu\text{F}$	Case dimensions $d \times l$ mm	$\text{ESR}_{\text{typ}}$ 100 Hz 20 °C $\text{m}\Omega$	$Z_{\text{max}}$ 10 kHz 20 °C $\text{m}\Omega$	$I_{\text{AC,max}}$ 100 Hz 60 °C A	$I_{\text{AC,max}}$ 100 Hz 85 °C A	$I_{\text{AC,R}}^{1)}$ 100 Hz 105 °C A	Ordering code (composition see below)
<b><math>V_R = 10 \text{ V DC}</math></b>							
6800	22 × 25	74	78	3.6	2.8	1.4	B41505A3688M00#
10000	22 × 30	53	56	4.6	3.6	1.8	B41505A3109M00#
15000	22 × 40	37	39	5.9	4.6	2.3	B41505A3159M00#
22000	30 × 35	26	28	7.7	6.0	3.0	B41505A3229M00#
33000	30 × 45	19	20	10.2	7.8	3.9	B41505A3339M00#
<b><math>V_R = 16 \text{ V DC}</math></b>							
6800	22 × 30	46	49	4.6	3.6	1.8	B41505A4688M00#
10000	25 × 30	34	36	5.6	4.4	2.2	B41505A4109M00#
15000	25 × 40	24	26	7.1	5.6	2.8	B41505A4159M00#
22000	30 × 40	17	18	9.4	7.0	3.5	B41505A4229M00#
<b><math>V_R = 25 \text{ V DC}</math></b>							
4700	22 × 30	53	57	4.1	3.2	1.6	B41505A5478M00#
4700	25 × 25	53	57	4.1	3.2	1.6	B41505F5478M00#
6800	25 × 30	41	43	4.8	3.8	1.9	B41505A5688M00#
10000	25 × 40	30	32	6.4	5.0	2.5	B41505A5109M00#
15000	30 × 40	22	23	8.2	6.4	3.2	B41505A5159M00#
<b><math>V_R = 35 \text{ V DC}</math></b>							
2200	22 × 25	85	90	2.8	2.2	1.1	B41505A7228M00#
3300	22 × 30	56	60	3.8	3.0	1.5	B41505A7338M00#
3300	25 × 25	56	60	3.8	3.0	1.5	B41505F7338M00#
4700	22 × 40	45	48	4.8	3.8	1.9	B41505A7478M00#
6800	25 × 40	35	37	5.9	4.6	2.3	B41505A7688M00#
10000	30 × 40	26	28	7.4	5.8	2.9	B41505A7109M00#
15000	35 × 40	19	20	9.4	7.6	3.8	B41505A7159M00#
18000	35 × 45	17	18	11.1	8.6	4.3	B41505A7189M00#
<b><math>V_R = 50 \text{ V DC}</math></b>							
2200	22 × 35	85	90	3.6	2.8	1.4	B41505A6228M00#
3300	25 × 35	56	60	4.6	3.6	1.8	B41505A6338M00#
4700	30 × 35	42	45	5.6	4.4	2.2	B41505A6478M00#
6800	30 × 50	33	35	7.4	5.8	2.9	B41505A6688M00#
10000	35 × 45	25	26	9.4	7.2	3.6	B41505A6109M00#

**Composition of ordering code**

# = Terminal style

0 = snap-in standard terminals (6.3 mm)

2 = snap-in 3 terminals (4.5 mm)

7 = snap-in short terminals (4.5 mm)

1) 120-Hz conversion factor of ripple current:  $I_{\text{AC}}(120 \text{ Hz}) = 1.03 \cdot I_{\text{AC}}(100 \text{ Hz})$


**B41505**
**Excellent performance – 105 °C**
**Technical data and ordering codes**

$C_R$ 100 Hz 20 °C $\mu\text{F}$	Case dimensions $d \times l$ mm	$\text{ESR}_{\text{typ}}$ 100 Hz 20 °C $\text{m}\Omega$	$Z_{\text{max}}$ 10 kHz 20 °C $\text{m}\Omega$	$I_{\text{AC,max}}$ 100 Hz 60 °C A	$I_{\text{AC,max}}$ 100 Hz 85 °C A	$I_{\text{AC,R}^2}$ 100 Hz 105 °C A	Ordering code (composition see below)
<b><math>V_R = 63 \text{ V DC}</math></b>							
1000	22 × 25	149	159	2.6	2.0	1.0	B41505A8108M00#
1500	22 × 35	100	106	3.6	2.8	1.4	B41505A8158M00#
2200	25 × 35	68	72	4.3	3.4	1.7	B41505A8228M00#
2200	30 × 30	80	85	4.6	3.6	1.8	B41505F8228M00#
3300	30 × 40	53	56	5.9	4.6	2.3	B41505A8338M00#
4700	35 × 35	42	45	6.9	5.4	2.7	B41505A8478M00#
6800	35 × 50	29	31	9.4	7.2	3.6	B41505A8688M00#
<b><math>V_R = 80 \text{ V DC}</math></b>							
1000	25 × 25	125	133	3.3	2.6	1.3	B41505A0108M00#
1200	30 × 25	104	110	3.8	3.0	1.5	B41505A0128M00#
1500	25 × 35	83	89	4.6	3.6	1.8	B41505A0158M00#
2200	30 × 35	56	60	5.1	4.0	2.0	B41505A0228M00#
3300	35 × 35	45	48	7.1	5.6	2.8	B41505A0338M00#
4700	35 × 45	32	34	8.5	6.8	3.4	B41505A0478M00#
<b><math>V_R = 100 \text{ V DC}</math></b>							
560	25 × 25	178	190	2.6	2.0	1.0	B41505A9567M00#
680	22 × 35	146	156	3.1	2.4	1.2	B41505A9687M00#
1000	25 × 35	100	106	3.6	2.8	1.4	B41505A9108M00#
1000	30 × 30	100	106	3.8	3.0	1.5	B41505F9108M00#
1500	30 × 40	66	70	4.8	3.8	1.9	B41505A9158M00#
2200	30 × 50	56	60	5.9	4.6	2.3	B41505A9228M00#
3300	35 × 50	38	40	7.7	6.0	3.0	B41505A9338M00#

**Composition of ordering code**

# = Terminal style

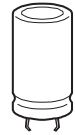
0 = snap-in standard terminals (6.3 mm)

2 = snap-in 3 terminals (4.5 mm)

7 = snap-in short terminals (4.5 mm)

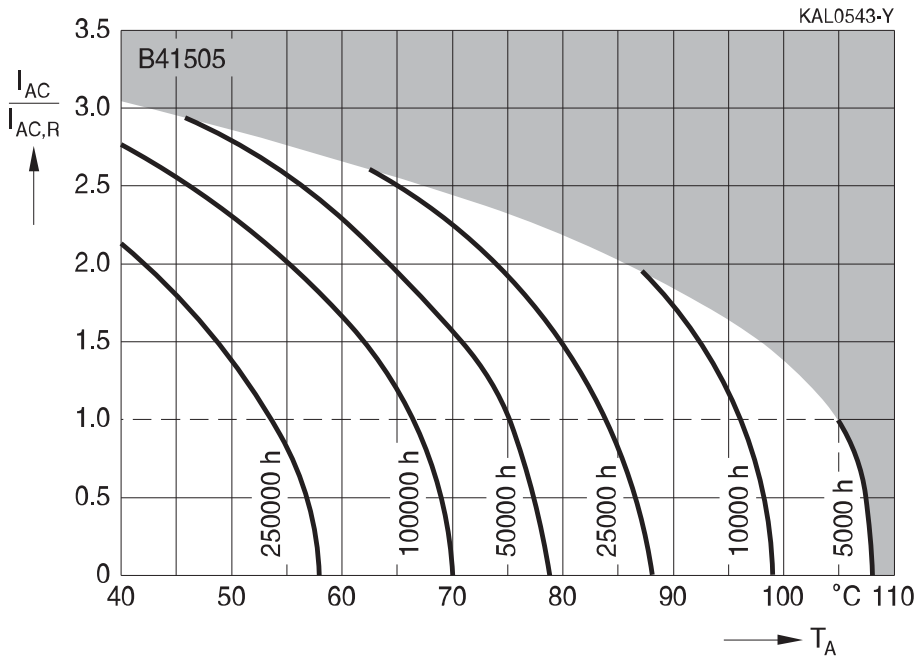
2) 120-Hz conversion factor of ripple current:  $I_{\text{AC}}(120 \text{ Hz}) = 1.03 \cdot I_{\text{AC}}(100 \text{ Hz})$



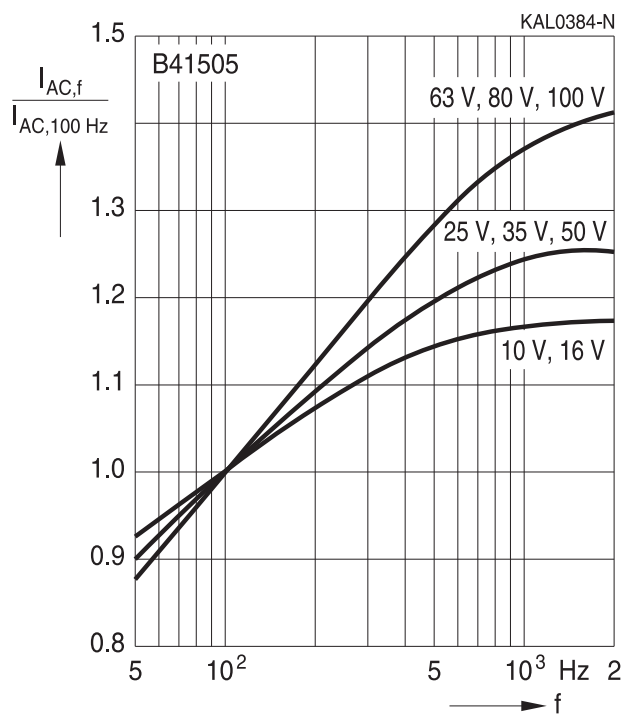


**Useful life<sup>1)</sup>**

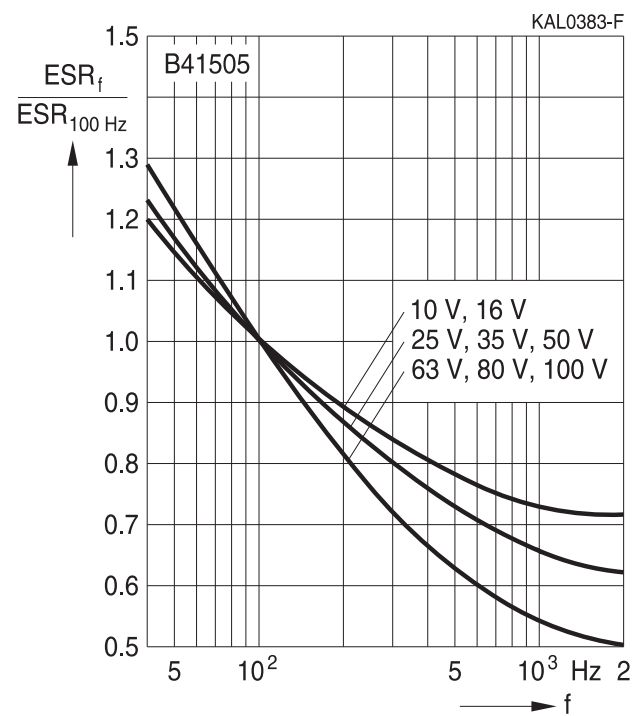
depending on ambient temperature  $T_A$  under ripple current operating conditions



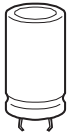
**Frequency factor of permissible ripple current  $I_{AC}$  versus frequency  $f$**



**Frequency characteristic of ESR**  
 Typical behavior



1) Refer to chapter "General technical information, 5 Useful life" on how to interpret useful life.

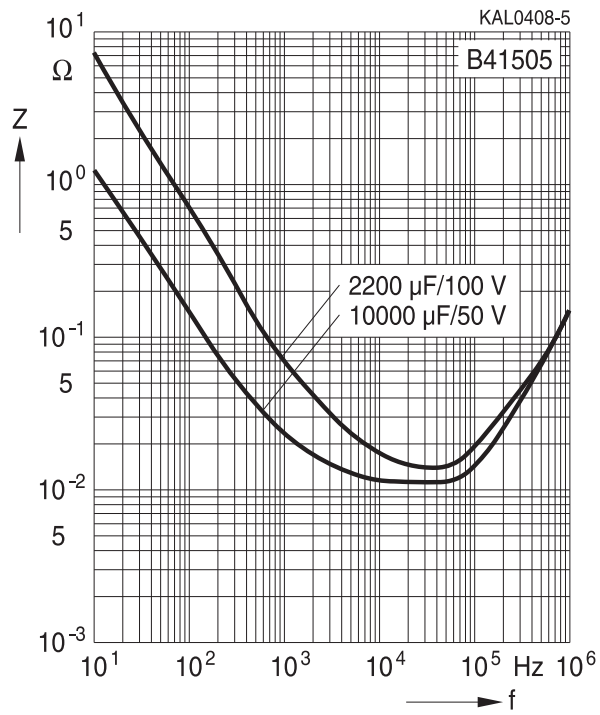


**B41505**

**Excellent performance – 105 °C**

**Impedance Z versus frequency f**

Typical behavior at 20 °C





## Cautions and warnings

### Personal safety

The electrolytes used by EPCOS have been optimized both with a view to the intended application and with regard to health and environmental compatibility. They do not contain any solvents that are detrimental to health, e.g. dimethyl formamide (DMF) or dimethyl acetamide (DMAC).

Furthermore, some of the high-voltage electrolytes used by EPCOS are self-extinguishing.

As far as possible, EPCOS does not use any dangerous chemicals or compounds to produce operating electrolytes, although in exceptional cases, such materials must be used in order to achieve specific physical and electrical properties because no alternative materials are currently known. We do, however, restrict the amount of dangerous materials used in our products to an absolute minimum.

Materials and chemicals used in EPCOS aluminum electrolytic capacitors are continuously adapted in compliance with the EPCOS Corporate Environmental Policy and the latest EU regulations and guidelines such as RoHS, REACH/SVHC, GADSL, and ELV.

MDS (Material Data Sheets) are available on the EPCOS website for all types listed in the data book. MDS for customer specific capacitors are available upon request.

MSDS (Material Safety Data Sheets) are available for all of our electrolytes upon request.

Nevertheless, the following rules should be observed when handling aluminum electrolytic capacitors: No electrolyte should come into contact with eyes or skin. If electrolyte does come into contact with the skin, wash the affected areas immediately with running water. If the eyes are affected, rinse them for 10 minutes with plenty of water. If symptoms persist, seek medical treatment. Avoid inhaling electrolyte vapor or mists. Workplaces and other affected areas should be well ventilated. Clothing that has been contaminated by electrolyte must be changed and rinsed in water.



**B41505**

**Excellent performance – 105 °C**

## Product safety

The table below summarizes the safety instructions that must be observed without fail. A detailed description can be found in the relevant sections of chapter "General technical information".

Topic	Safety information	Reference chapter "General technical information"
Polarity	Make sure that polar capacitors are connected with the right polarity.	1 "Basic construction of aluminum electrolytic capacitors"
Reverse voltage	Voltages of opposite polarity should be prevented by connecting a diode.	3.1.6 "Reverse voltage"
Mounting position of screw-terminal capacitors	Screw terminal capacitors must not be mounted with terminals facing down unless otherwise specified.	11.1. "Mounting positions of capacitors with screw terminals"
Robustness of terminals	The following maximum tightening torques must not be exceeded when connecting screw terminals: M5: 2.5 Nm M6: 4.0 Nm	11.3 "Mounting torques"
Mounting of single-ended capacitors	The internal structure of single-ended capacitors might be damaged if excessive force is applied to the lead wires. Avoid any compressive, tensile or flexural stress. Do not move the capacitor after soldering to PC board. Do not pick up the PC board by the soldered capacitor. Do not insert the capacitor on the PC board with a hole space different to the lead space specified.	11.4 "Mounting considerations for single-ended capacitors"
Soldering	Do not exceed the specified time or temperature limits during soldering.	11.5 "Soldering"
Soldering, cleaning agents	Do not allow halogenated hydrocarbons to come into contact with aluminum electrolytic capacitors.	11.6 "Cleaning agents"
Upper category temperature	Do not exceed the upper category temperature.	7.2 "Maximum permissible operating temperature"
Passive flammability	Avoid external energy, e.g. fire.	8.1 "Passive flammability"



Topic	Safety information	Reference chapter "General technical information"
Active flammability	Avoid overload of the capacitors.	8.2 "Active flammability"
Maintenance	Make periodic inspections of the capacitors. Before the inspection, make sure that the power supply is turned off and carefully discharge the capacitors. Do not apply excessive mechanical stress to the capacitor terminals when mounting.	10 "Maintenance"
Storage	Do not store capacitors at high temperatures or high humidity. Capacitors should be stored at +5 to +35 °C and a relative humidity of ≤ 75%.	7.3 "Shelf life and storage conditions"
		Reference chapter "Capacitors with screw terminals"
Breakdown strength of insulating sleeves	Do not damage the insulating sleeve, especially when ring clips are used for mounting.	"Screw terminals – accessories"

### Display of ordering codes for EPCOS products

The ordering code for one and the same product can be represented differently in data sheets, data books, other publications and the website of EPCOS, or in order-related documents such as shipping notes, order confirmations and product labels. The varying representations of the ordering codes are due to different processes employed and do not affect the specifications of the respective products.

Detailed information can be found on the Internet under [www.epcos.com/orderingcodes](http://www.epcos.com/orderingcodes).



**B41505**

**Excellent performance – 105 °C**

## Symbols and terms

Symbol	English	German
C	Capacitance	Kapazität
$C_R$	Rated capacitance	Nennkapazität
$C_S$	Series capacitance	Serienkapazität
$C_{S,T}$	Series capacitance at temperature T	Serienkapazität bei Temperatur T
$C_f$	Capacitance at frequency f	Kapazität bei Frequenz f
d	Case diameter, nominal dimension	Gehäusedurchmesser, Nennmaß
$d_{max}$	Maximum case diameter	Maximaler Gehäusedurchmesser
ESL	Self-inductance	Eigeninduktivität
ESR	Equivalent series resistance	Ersatzserienwiderstand
$ESR_f$	Equivalent series resistance at frequency f	Ersatzserienwiderstand bei Frequenz f
$ESR_T$	Equivalent series resistance at temperature T	Ersatzserienwiderstand bei Temperatur T
f	Frequency	Frequenz
I	Current	Strom
$I_{AC}$	Alternating current (ripple current)	Wechselstrom
$I_{AC,RMS}$	Root-mean-square value of alternating current	Wechselstrom, Effektivwert
$I_{AC,f}$	Ripple current at frequency f	Wechselstrom bei Frequenz f
$I_{AC,max}$	Maximum permissible ripple current	Maximal zulässiger Wechselstrom
$I_{AC,R}$	Rated ripple current	Nennwechselstrom
$I_{leak}$	Leakage current	Reststrom
$I_{leak,op}$	Operating leakage current	Betriebsreststrom
l	Case length, nominal dimension	Gehäuselänge, Nennmaß
$l_{max}$	Maximum case length (without terminals and mounting stud)	Maximale Gehäuselänge (ohne Anschlüsse und Gewindebolzen)
R	Resistance	Widerstand
$R_{ins}$	Insulation resistance	Isolationswiderstand
$R_{symm}$	Balancing resistance	Symmetrierwiderstand
T	Temperature	Temperatur
$\Delta T$	Temperature difference	Temperaturdifferenz
$T_A$	Ambient temperature	Umgebungstemperatur
$T_C$	Case temperature	Gehäusetemperatur
$T_B$	Capacitor base temperature	Temperatur des Gehäusebodens
t	Time	Zeit
$\Delta t$	Period	Zeitraum
$t_b$	Service life (operating hours)	Brauchbarkeitsdauer (Betriebszeit)



Symbol	English	German
V	Voltage	Spannung
V <sub>F</sub>	Forming voltage	Formierspannung
V <sub>op</sub>	Operating voltage	Betriebsspannung
V <sub>R</sub>	Rated voltage, DC voltage	Nennspannung, Gleichspannung
V <sub>S</sub>	Surge voltage	Spitzenspannung
X <sub>C</sub>	Capacitive reactance	Kapazitiver Blindwiderstand
X <sub>L</sub>	Inductive reactance	Induktiver Blindwiderstand
Z	Impedance	Scheinwiderstand
Z <sub>T</sub>	Impedance at temperature T	Scheinwiderstand bei Temperatur T
tan δ	Dissipation factor	Verlustfaktor
λ	Failure rate	Ausfallrate
ε <sub>0</sub>	Absolute permittivity	Elektrische Feldkonstante
ε <sub>r</sub>	Relative permittivity	Dielektrizitätszahl
ω	Angular velocity; 2 · π · f	Kreisfrequenz; 2 · π · f

**Note**

All dimensions are given in mm.

## Important notes

The following applies to all products named in this publication:

1. Some parts of this publication contain **statements about the suitability of our products for certain areas of application**. These statements are based on our knowledge of typical requirements that are often placed on our products in the areas of application concerned. We nevertheless expressly point out **that such statements cannot be regarded as binding statements about the suitability of our products for a particular customer application**. As a rule we are either unfamiliar with individual customer applications or less familiar with them than the customers themselves. For these reasons, it is always ultimately incumbent on the customer to check and decide whether a product with the properties described in the product specification is suitable for use in a particular customer application.
2. We also point out that **in individual cases, a malfunction of electronic components or failure before the end of their usual service life cannot be completely ruled out in the current state of the art, even if they are operated as specified**. In customer applications requiring a very high level of operational safety and especially in customer applications in which the malfunction or failure of an electronic component could endanger human life or health (e.g. in accident prevention or life-saving systems), it must therefore be ensured by means of suitable design of the customer application or other action taken by the customer (e.g. installation of protective circuitry or redundancy) that no injury or damage is sustained by third parties in the event of malfunction or failure of an electronic component.
3. **The warnings, cautions and product-specific notes must be observed.**
4. In order to satisfy certain technical requirements, **some of the products described in this publication may contain substances subject to restrictions in certain jurisdictions (e.g. because they are classed as hazardous)**. Useful information on this will be found in our Material Data Sheets on the Internet ([www.tdk-electronics.tdk.com/material](http://www.tdk-electronics.tdk.com/material)). Should you have any more detailed questions, please contact our sales offices.
5. We constantly strive to improve our products. Consequently, **the products described in this publication may change from time to time**. The same is true of the corresponding product specifications. Please check therefore to what extent product descriptions and specifications contained in this publication are still applicable before or when you place an order.

We also **reserve the right to discontinue production and delivery of products**. Consequently, we cannot guarantee that all products named in this publication will always be available. The aforementioned does not apply in the case of individual agreements deviating from the foregoing for customer-specific products.

6. Unless otherwise agreed in individual contracts, **all orders are subject to our General Terms and Conditions of Supply**.
7. **Our manufacturing sites serving the automotive business apply the IATF 16949 standard**. The IATF certifications confirm our compliance with requirements regarding the quality management system in the automotive industry. Referring to customer requirements and customer specific requirements ("CSR") TDK always has and will continue to have the policy of respecting individual agreements. Even if IATF 16949 may appear to support the acceptance of unilateral requirements, we hereby like to emphasize that **only requirements mutually agreed upon can and will be implemented in our Quality Management System**. For clarification purposes we like to point out that obligations from IATF 16949 shall only become legally binding if individually agreed upon.



## Important notes

8. The trade names EPCOS, CeraCharge, CeraDiode, CeraLink, CeraPad, CeraPlas, CSMP, CTVS, DeltaCap, DigiSiMic, ExoCore, FilterCap, FormFit, LeaXield, MiniBlue, MiniCell, MKD, MKK, MotorCap, PCC, PhaseCap, PhaseCube, PhaseMod, PhiCap, PowerHap, PQSine, PQvar, SIFERRIT, SIFI, SIKOREL, SilverCap, SIMDAD, SiMic, SIMID, SineFormer, SIOV, ThermoFuse, WindCap are **trademarks registered or pending** in Europe and in other countries. Further information will be found on the Internet at [www.tdk-electronics.tdk.com/trademarks](http://www.tdk-electronics.tdk.com/trademarks).

Release 2018-10