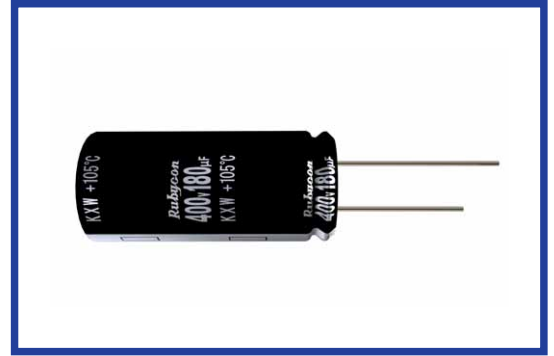


KXW シリーズ  
SERIES

105°C 2000時間 小形化品  
105°C 2000 hours, Miniaturized

RoHS  
compliance



◆規格表 / SPECIFICATIONS

| 項目 Items                                    | 特性 Characteristics  |  |         |         |               |
|---|---|--|---------|---------|---------------|
| カテゴリ温度範囲<br>Category Temperature Range      | -25~+105°C  |  |         |         |               |
| 定格電圧範囲<br>Rated Voltage Range               | 200~450Vdc  |  |         |         |               |
| 静電容量許容差<br>Capacitance Tolerance            | ±20% (20°C, 120Hz)  |  |         |         |               |
| 漏れ電流<br>Leakage Current (MAX)               | $I=3\sqrt{CV}$ 以下 (定格電圧印加5分後)<br>$I=3\sqrt{CV}$ (After 5 minutes application of rated voltage)<br>I=漏れ電流(µA) Leakage Current      C=静電容量(µF) Capacitance      V=定格電圧(Vdc) Rated Voltage |  |         |         |               |
| 損失角の正接 (tanδ)<br>Dissipation Factor (MAX)   | 定格電圧(Vdc)<br>Rated Voltage  | 200  | 400     | 420~450 | (20°C, 120Hz) |
|   | tanδ  | 0.12   | 0.15    | 0.20    |               |
| 耐久性<br>Endurance                            | 105°C中で2000時間定格電圧(リップル重畳)印加後、下記項目を満足すること。<br>After applying rated voltage with rated ripple current for 2000 hours at 105°C, the capacitors shall meet the following requirements.      |  |         |         |               |
|   | 静電容量変化率<br>Capacitance Change   | 初期値の±20%以内<br>Within ±20% of the initial value.          |         |         |               |
|   | 損失角の正接<br>Dissipation Factor  | 規格値の200%以下<br>Not more than 200% of the specified value. |         |         |               |
|   | 漏れ電流<br>Leakage Current   | 規格値以下<br>Not more than the specified value.              |         |         |               |
| 低温特性<br>(インピーダンス比)<br>Impedance Ratio (MAX) | 定格電圧(Vdc)<br>Rated Voltage  | 200  | 400~450 | (120Hz) |               |
|   | Z(-25°C)/Z(20°C)  | 3  | 8       |         |               |

◆リップル電流補正係数 / MULTIPLIER FOR RIPPLE CURRENT

| 周波数(Hz)<br>Frequency | 60(50)     | 120  | 500  | 1k   | 10k≦ |      |
|----------------------|------------|------|------|------|------|------|
| 係数<br>Coefficient    | 200Vdc     | 0.80 | 1.00 | 1.20 | 1.30 | 1.40 |
|                      | 400~450Vdc | 0.80 | 1.00 | 1.25 | 1.40 | 1.50 |

◆副記号 / OPTION

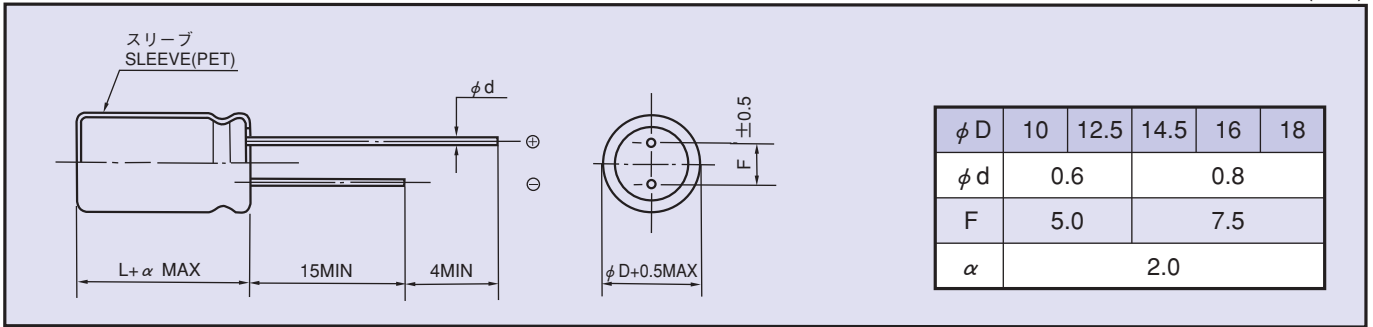
|                    | 記号 Code |
|--------------------|---------|
| PETスリーブ PET Sleeve | EFC     |

◆呼称方法 / PART NUMBER

|                       |                 |                     |                                  |               |                         |                     |
|-----------------------|-----------------|---------------------|----------------------------------|---------------|-------------------------|---------------------|
| □□□                   | KXW             | □□□□□               | M                                | □□□           | □□                      | D×L                 |
| 定格電圧<br>Rated Voltage | シリーズ名<br>Series | 静電容量<br>Capacitance | 静電容量許容差<br>Capacitance Tolerance | 副記号<br>Option | リード加工記号<br>Lead Forming | ケースサイズ<br>Case Size |

◆寸法図 / DIMENSIONS

(mm)



◆標準品一覧表 / STANDARD SIZE

| 定格電圧<br>Rated Voltage<br>(Vdc) | 静電容量<br>Capacitance<br>( $\mu F$ ) | 外形寸法<br>Size<br>$\phi D \times L$<br>(mm) | 定格リップル電流<br>Rated Ripple Current<br>(A r.m.s./105°C,120Hz) |
|--------------------------------|------------------------------------|---|--|
| 200                            | 82                                 | 10×30                                     | 0.40   |
|                                | 100                                | 10×35                                     | 0.46   |
|                                | 120                                | 10×40                                     | 0.53   |
|                                | 150                                | 12.5×30                                   | 0.62   |
|                                | 180                                | 12.5×35                                   | 0.70   |
|                                | 220                                | 12.5×40                                   | 0.80   |
|                                | 220                                | 14.5×30                                   | 0.80   |
|                                | 270                                | 14.5×35                                   | 0.87   |
|                                | 270                                | 16×30                                     | 0.87   |
|                                | 330                                | 16×35                                     | 1.01   |
|                                | 330                                | 18×30                                     | 1.01   |
|                                | 390                                | 16×40                                     | 1.13   |
|                                | 390                                | 18×35                                     | 1.13   |
|                                | 470                                | 18×40                                     | 1.27   |
| 560                            | 18×45                              | 1.39                                      |  |
| 400                            | 27                                 | 10×30                                     | 0.24   |
|                                | 33                                 | 10×35                                     | 0.28   |
|                                | 39                                 | 10×40                                     | 0.32   |
|                                | 47                                 | 12.5×30                                   | 0.37   |
|                                | 56                                 | 12.5×35                                   | 0.42   |
|                                | 68                                 | 12.5×40                                   | 0.48   |
|                                | 68                                 | 14.5×30                                   | 0.48   |
|                                | 82                                 | 14.5×35                                   | 0.52   |
|                                | 100                                | 14.5×40                                   | 0.58   |
|                                | 100                                | 16×30                                     | 0.58   |
|                                | 120                                | 16×35                                     | 0.67   |
|                                | 120                                | 18×30                                     | 0.67   |
|                                | 150                                | 16×40                                     | 0.77   |
|                                | 150                                | 18×35                                     | 0.77   |
| 180                            | 18×40                              | 0.88                                      |  |
| 220                            | 18×45                              | 1.00                                      |  |

| 定格電圧<br>Rated Voltage<br>(Vdc) | 静電容量<br>Capacitance<br>( $\mu F$ ) | 外形寸法<br>Size<br>$\phi D \times L$<br>(mm) | 定格リップル電流<br>Rated Ripple Current<br>(A r.m.s./105°C,120Hz) |
|--------------------------------|------------------------------------|---|--|
| 420                            | 22                                 | 10×30                                     | 0.20   |
|                                | 27                                 | 10×35                                     | 0.23   |
|                                | 33                                 | 10×40                                     | 0.27   |
|                                | 39                                 | 12.5×30                                   | 0.31   |
|                                | 47                                 | 12.5×35                                   | 0.36   |
|                                | 56                                 | 12.5×40                                   | 0.43   |
|                                | 56                                 | 14.5×30                                   | 0.43   |
|                                | 68                                 | 14.5×35                                   | 0.51   |
|                                | 68                                 | 16×30                                     | 0.51   |
|                                | 82                                 | 14.5×40                                   | 0.57   |
|                                | 82                                 | 16×35                                     | 0.57   |
|                                | 100                                | 16×40                                     | 0.61   |
|                                | 100                                | 18×30                                     | 0.61   |
|                                | 120                                | 18×35                                     | 0.66   |
| 150                            | 18×40                              | 0.71                                      |  |
| 450                            | 18                                 | 10×30                                     | 0.18   |
|                                | 22                                 | 10×35                                     | 0.21   |
|                                | 27                                 | 10×40                                     | 0.25   |
|                                | 33                                 | 12.5×30                                   | 0.28   |
|                                | 39                                 | 12.5×35                                   | 0.32   |
|                                | 47                                 | 12.5×40                                   | 0.38   |
|                                | 47                                 | 14.5×30                                   | 0.38   |
|                                | 56                                 | 14.5×35                                   | 0.44   |
|                                | 56                                 | 16×30                                     | 0.44   |
|                                | 68                                 | 14.5×40                                   | 0.49   |
|                                | 68                                 | 16×35                                     | 0.49   |
|                                | 82                                 | 16×40                                     | 0.55   |
|                                | 82                                 | 18×30                                     | 0.55   |
|                                | 100                                | 18×35                                     | 0.65   |
| 120                            | 18×40                              | 0.74                                      |  |
| 150                            | 18×45                              | 0.80                                      |  |