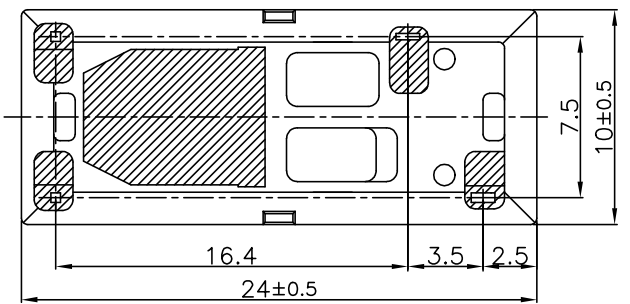
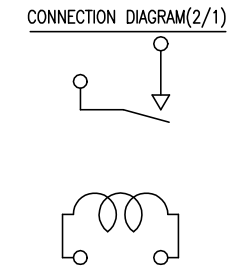
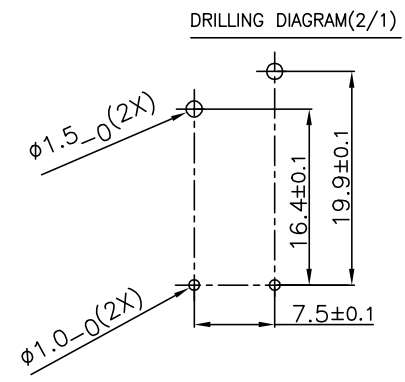
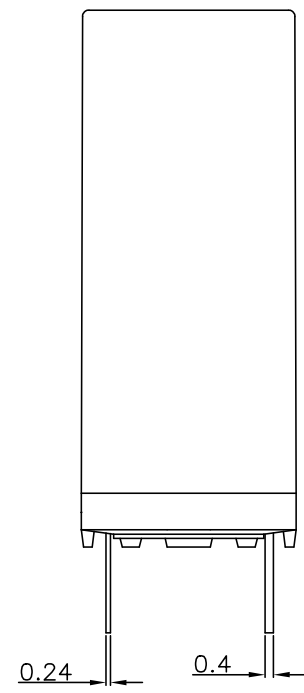
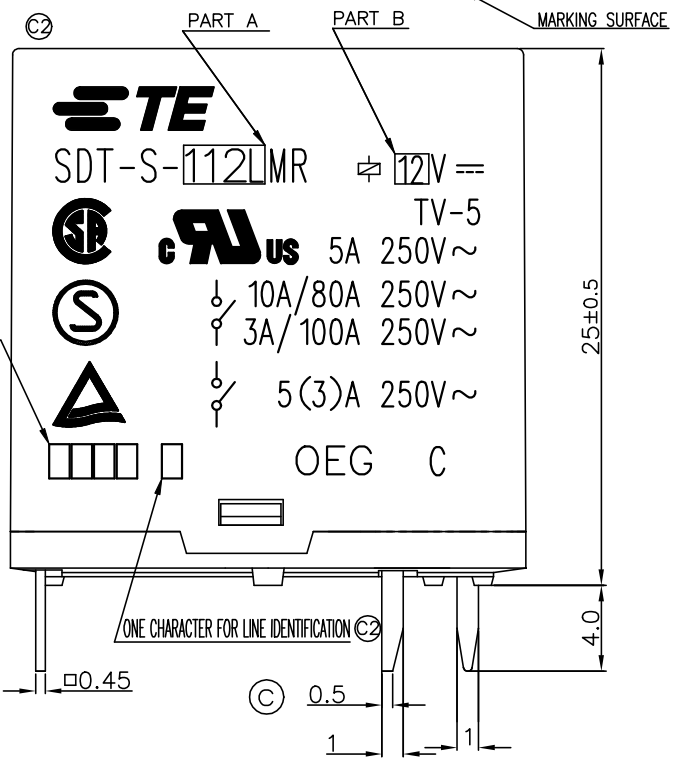
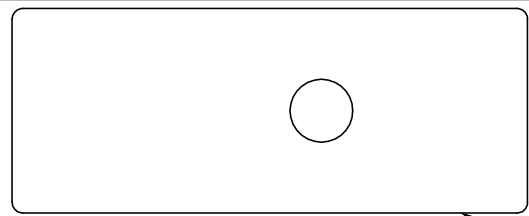


THIS DRAWING IS UNPUBLISHED. RELEASED FOR PUBLICATION
 COPYRIGHT ALL RIGHTS RESERVED.

LOC	DIST	REVISIONS			
P	LTR	DESCRIPTION	DATE	DWN	APVD
	C2	1.CHANGE TELOGO2.ADD LINE IDENTIFICATION3.TERMINALS TOLERANCE CLARIFICATION	03-APR-12	YS.H	BH.Y
	D	CHANGE RAW MATERIAL OF CARD ECO-19-012552	14-AUG-19	TOD	K.T

D
C
B
A



DIMENSIONS: mm	TOLERANCES UNLESS OTHERWISE SPECIFIED: 0 PLC ± 1 PLC ± 2 PLC ± 3 PLC ± 4 PLC ±	DWN	M.INNAMI	TE TE Connectivity						
		CHK	T.FUKAYA							
	MATERIAL SEE MATERIAL TABLE	APVD	K.NARA	NAME						
		PRODUCT SPEC	-	SDT-S-1**LMR CUSTOMER DRAWING						
	FINISH	WEIGHT	-	SIZE	A3	CAGE CODE	00779	DRAWING NO	7-1419125-9	RESTRICTED TO
CUSTOMER DRAWING				SCALE	4:1	SHEET	1 OF 2	REV	D	

4

3

2

1

THIS DRAWING IS UNPUBLISHED.

RELEASED FOR PUBLICATION

COPYRIGHT

ALL RIGHTS RESERVED.

LOC

DIST

REVISIONS

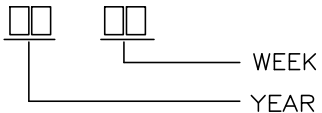
P	LTR	DESCRIPTION	ECN	DATE	DWN	APVD

3-1419153-8	SDT-S-112LMR	SDT-S-112LMR	12V	g
1419126-2	SDT-S-124LMR	SDT-S-124LMR	24V	f
9-1419125-9	SDT-S-112LMR	SDT-S-112LMR	12V	e
9-1419125-2	SDT-S-109LMR	SDT-S-109LMR	9V	d
8-1419125-5	SDT-S-106LMR	SDT-S-106LMR	6V	c
8-1419125-1	SDT-S-105LMR	SDT-S-105LMR	5V	b
7-1419125-9	SDT-S-103LMR	SDT-S-103LMR	3V	a
PART NO	TYPE NAME	PART A	PART B	ITEM

RELAY TYPE (B)

NOTE:

(C) 1. LOT NO. SYSTEM AS FOLLOWING:



(C2) 2. TERMINAL DIMENSION DOES NOT INCLUDE SOLDER TIP

(C2) 3. FOR THE TIN-PLATING OF THE PINS: +0.1mm FOR WIDTH, THICKNESS AND DIAMETER
+0.5mm FOR LENGTH

Diagram dimension	Tolerance
max. 1mm	±0.1mm
1 ~ 3mm	±0.2mm
min. 3mm	±0.3mm

		PPS (D)	CARD	14
		EPOXY	SEALING RESIN	13
		U.E.W	MAGNET WIRE	12
94V-0		P.B.T	BOBBIN	11
	SOLDER DIP	C.P WIRE	COIL TERMINAL	10
94V-0		P.B.T	CASE	9
		Ag ALLOY	STATIONARY CONTACT	8
		Ag ALLOY	MOVABLE CONTACT	7
		STAINLESS(SUS301)	HINGE SPRING	6
	SOLDER DIP	Cu ALLOY	STATIONARY TERMINAL	5
	SOLDER DIP	Cu ALLOY	MOVABLE SPRING	4
	Ni PLATING	STEEL(SPCC)	CORE	3
	Ni PLATING	STEEL(SPCC)	ARMATURE BRACKET	2
	Ni PLATING	STEEL(SPCC)	FRAME BRACKET	1
INCOMBUSTIBILITY	TREATMENT	MATERIAL	DESCRIPTION	ITEM

DIMENSIONS: mm 	TOLERANCES UNLESS OTHERWISE SPECIFIED: 0 PLC ± 1 PLC ± 2 PLC ± 3 PLC ± 4 PLC ±	DWN M.INNAMI	TE Connectivity			
		CHK T.FUKAYA				
MATERIAL SEE MATERIAL TABLE	FINISH -	APVD K.NARA	NAME SDT-S-1**LMR CUSTOMER DRAWING			
		PRODUCT SPEC -	SIZE	CAGE CODE	DRAWING NO	RESTRICTED TO
		APPLICATION SPEC -	A3	00779	(C) 7-1419125-9	
		WEIGHT -	CUSTOMER DRAWING		SCALE 4:1	SHEET 2 OF 2
						REV D