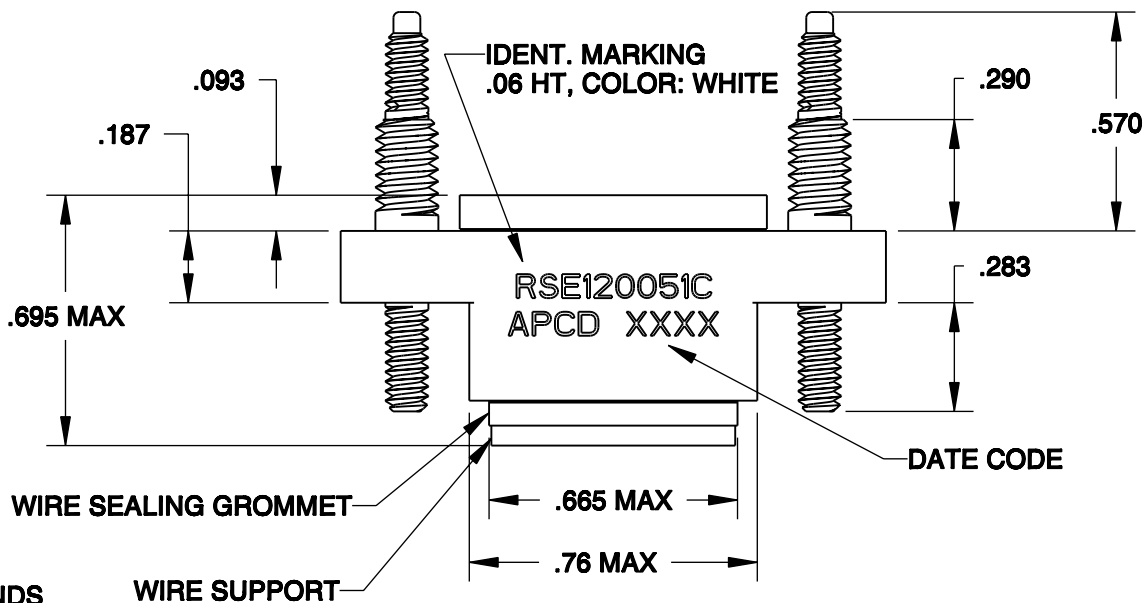
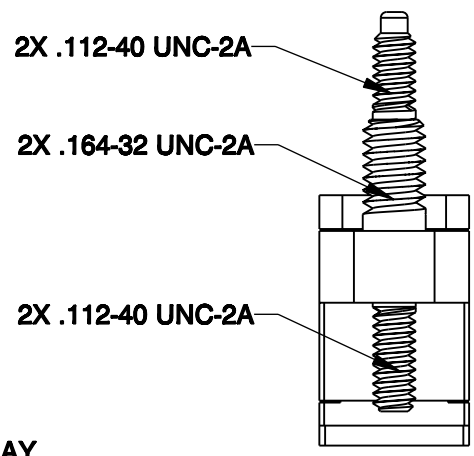
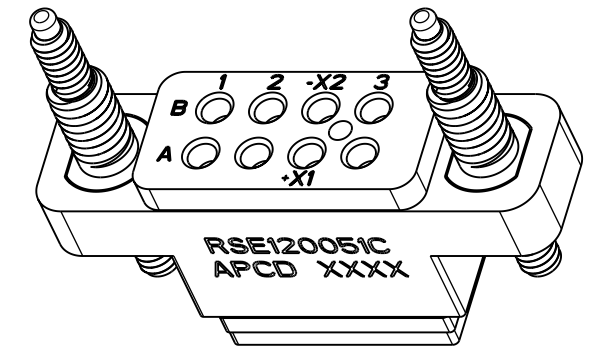
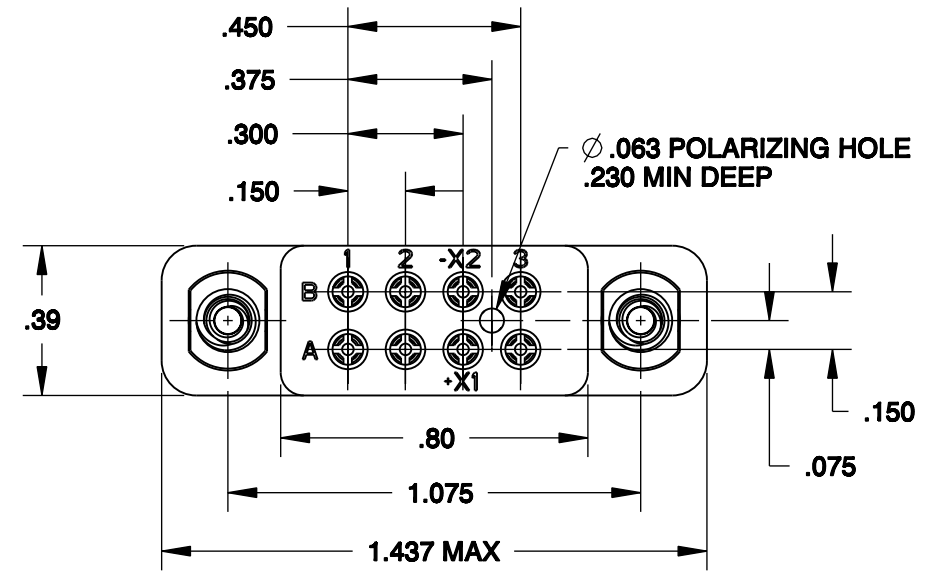
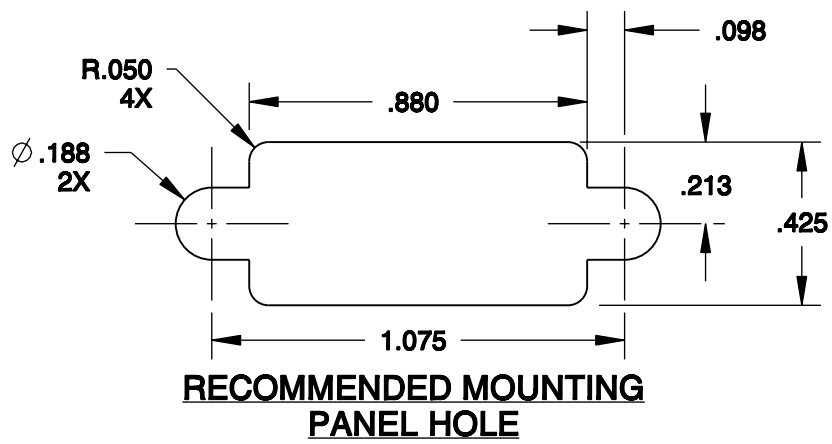
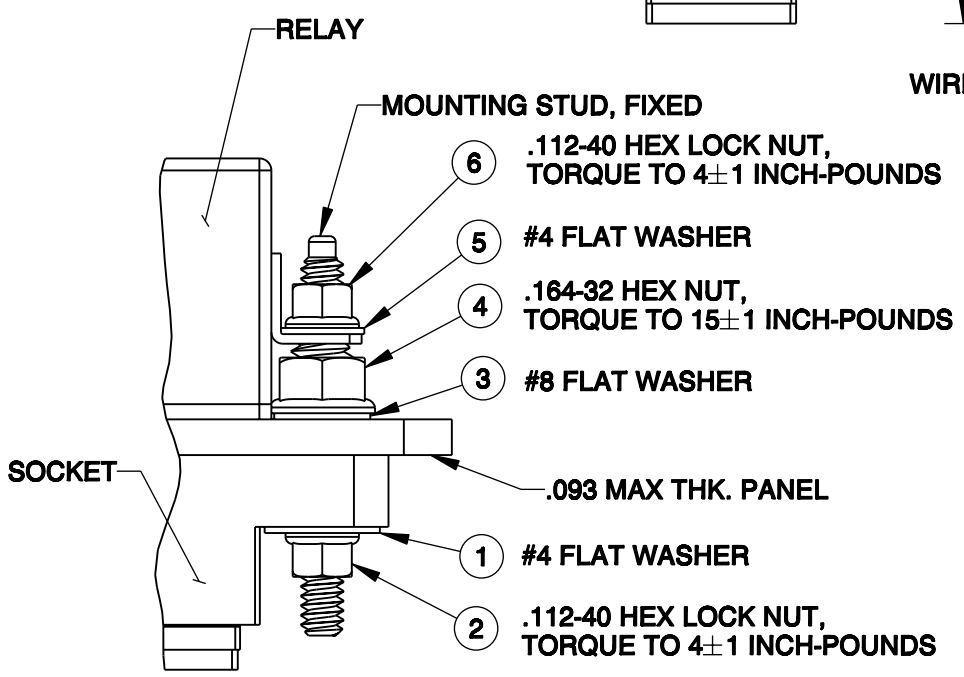


RSE120051C

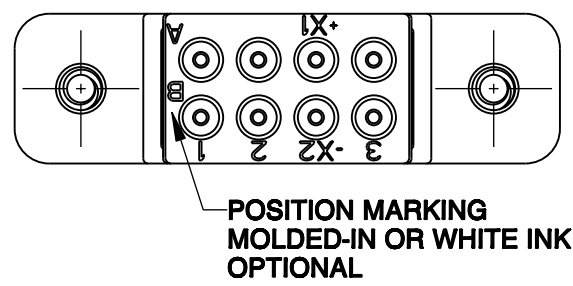
REV	ECN	APP'D
-	3709	JC 3/26/99
A	5252	JT 6/5/03
B	5460	JT 5/24/04
C	5579	JT 01/06/05
D	5582	



- NOTES:**
- CONFORMS TO PERFORMANCE REQUIREMENTS OF MIL-S-12883.
 - MATERIALS:**
HOUSING AND WIRE SUPPORT: POLYETHERIMIDE
COLOR: BLUE-GREEN
GROMMET: SILICONE ELASTOMER, COLOR: RED
 - COMPLETE MOUNTING HARDWARE SUPPLIED PER TABLE.
 - SOCKET CONTACTS SUPPLIED PER TABLE.
 - OPERATING TEMPERATURE: +125° C / -65° C CONTINUOUS.
 - CONTACT INSTALLATION TOOLS:
CRIMP TOOL: M22520/7-01
POSITIONER: M22520/7-12
INSERTION/REMOVAL: M81969/16-01



- #4 FLAT WASHER
- .112-40 HEX LOCK NUT, TORQUE TO 4±1 INCH-POUNDS
- #8 FLAT WASHER
- .164-32 HEX NUT, TORQUE TO 15±1 INCH-POUNDS
- #4 FLAT WASHER
- .112-40 HEX LOCK NUT, TORQUE TO 4±1 INCH-POUNDS



BILL OF MATERIALS

APCD P/N	DESCRIPTION	QTY.
200003801	HEX NT SLF-LCKG 4-40 #704	4
200000401	FLT WSHR #4 SPCL #706	2
200007201	HEX NUT SLF-LCKG #8-32	2
200004001	FLT WSHR #8 PSVTD #501	2
200002801	FLT WSHR #4 PSTVD #504	2
CNS101553	M39029/101-553 CONTACT SZ20/20	8

**MOUNTING HARDWARE
INSTALLATION SWQUENCE BY ITEM NUMBER
TYP 2 PLACES**

DIMENSIONS	TOLERANCES	PROJECTION	<h2>Amphenol Pcd</h2> <p>SPECIFICATION DRAWING</p> <p>ENGR A. PATRIE 03/25/99</p> <p>CHKD J. RUTKOWSKI</p> <p>APPD J. TON 06/05/03</p>
ANSI Y14.5M UNITS: INCHES Pro/E FILE	.XX ±0.01 .XXX ±0.005 ANGLES ±2.0°		
ORIGINAL	THIS DOCUMENT CONTAINS PROPRIETARY INFORMATION WHICH IS THE CONFIDENTIAL PROPERTY OF PCD, INC. PEABODY, MA, USA		

TITLE			
<h3>RELAY SOCKET, EMBRAER, 2- POLE, 8 POSITION, 5-AMP, SIZE 20</h3>			
SIZE	DWG NO.	REV	
B	RSE120051C	D	
CODE: 58982	SCALE: 2:1	SHEET 1 OF 1	

RSE120051C

RSE120051C