

# LED Drivers for Automotive Exterior Lighting Applications



# Build Innovative, Reliable and Cost-Effective Automotive Exterior Lighting Systems with TI

## Introduction

Automotive exterior LED drivers from TI help you build innovative, reliable, cost-effective lighting systems that exceed today's stringent automotive requirements. Our highly efficient LED solutions extend the life of your lighting system, enable greater driver and pedestrian safety, and enhance the driver experience.

From headlights to taillights and everything in between, TI delivers reliable, scalable and power-efficient linear and switching solutions for simple and complex LED lighting systems.

## Table of Contents

### Automotive Exterior LED Lighting Products

- 2 Introduction
- 2 Design Resources and Support

### Front Lighting

- 3 Front Lighting – Single Feature
- 4 Front Lighting – Complete LED Headlamp

### Rear Lighting

- 5 Rear Lighting – Reliable, Low EMI Solutions

### Other Exterior Lighting

- 6 Other Signal and Convenience Lighting

## Design Resources and Support

TI provides many resources for your external lighting needs to help you design systems faster, including reference designs and easy-to-use tools. We also offer worldwide support to ensure your questions are answered fast.

### Learn more about TI's automotive LED lighting portfolio on ti.com

- Automotive LED driver solutions: [www.ti.com/autoled](http://www.ti.com/autoled)
- All TI automotive solutions: [www.ti.com/automotive](http://www.ti.com/automotive)

### Jump start your design process with comprehensive reference designs:

- Automotive LED driver reference designs: [www.ti.com/autoled/reference](http://www.ti.com/autoled/reference)
- All TI Automotive reference designs: [www.ti.com/tidesigns](http://www.ti.com/tidesigns)

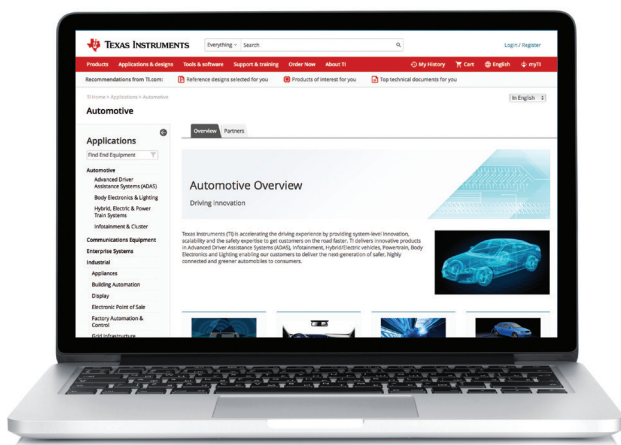


### Find answers to your technical questions in the TI E2E™ community.

Ask questions, share knowledge and help solve problems with fellow engineers. Visit [e2e.ti.com](http://e2e.ti.com).



TI E2E™  
Community

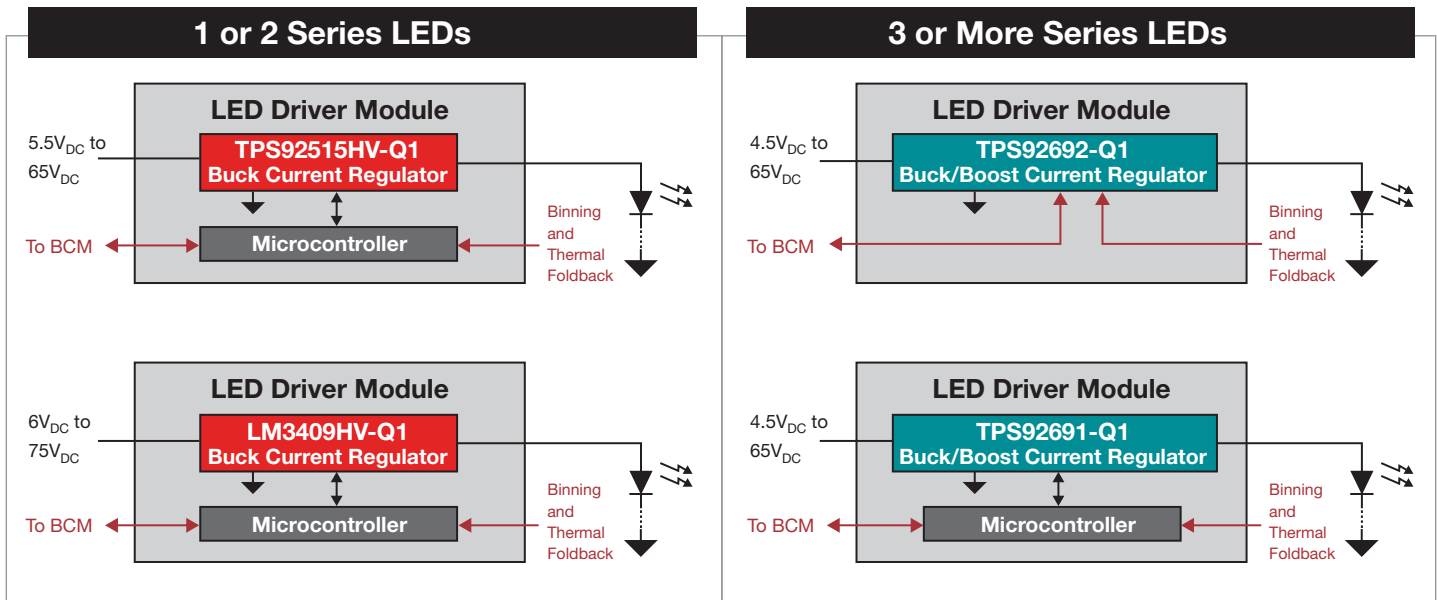


# Front Lighting – Single Feature

## Single-stage power conversion architecture enabling flexible designs

A single-stage LED driver is a simple and cost-effective solution for single headlight features like day-time running light, turn indicator, or high and low beam functions. Buck topology LED drivers are an effective solution if the LED string voltage is always lower than the battery voltage. However, since the battery voltage varies significantly in cold crank or load dump conditions, many applications require LED drivers that can be configured as a boost, buck-boost, SEPIC, Flyback or Cuk topologies. Ultimately, the LED driver must provide a constant output current to the LEDs in all possible operating conditions.

TI's flexible, single-stage LED driver products are highly configurable point-of-load solutions with advanced dimming capabilities. With diagnostic and protection features in addition to EMI mitigation techniques like spread spectrum, TI's portfolio provides the necessary functionality to create robust, high-performance platform electronic solutions for single feature front lighting functions.



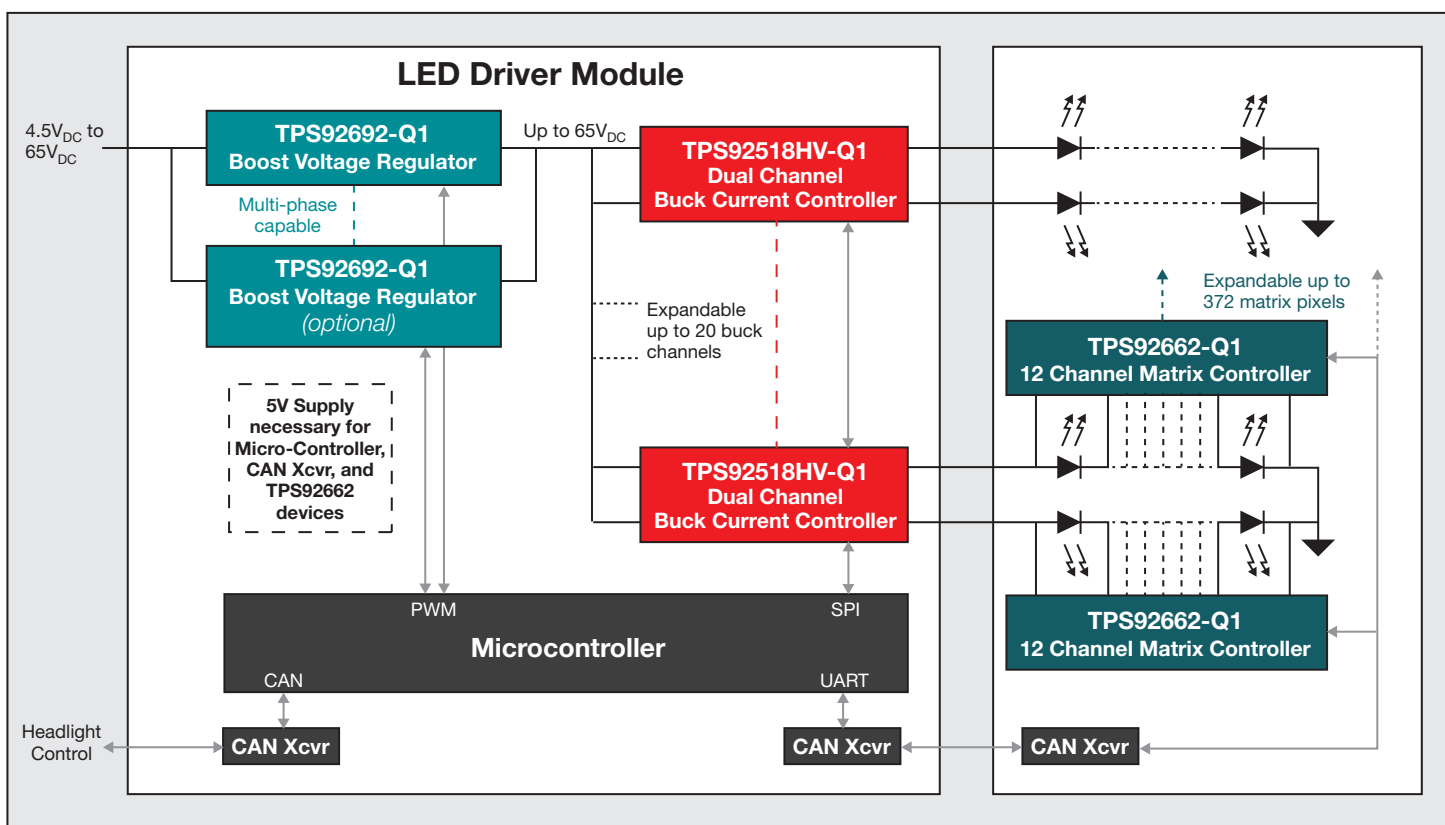
Device	# of Channels	Internal Switch(s)	Input Voltage		Output Voltage		Max LED Current	Special Features
			Min	Max	Min	Max		
<b>Multi-Topology Current Regulator</b>								
<a href="#">TPS92692-Q1</a>	1	No	4.5V	65V	2.5V	65V	No Limit	Analog & PWM Dimming, Spread Spectrum, Fault Handling
<b>Multi-Topology Current Regulator</b>								
<a href="#">TPS92691-Q1</a>	1	No	4.5V	65V	0	65V	No Limit	Analog & PWM Dimming, Fault Handling, Rail-Rail Current Sense
<b>Buck Current Regulator</b>								
<a href="#">TPS92515HV-Q1</a>	1	Yes	5.5V	65V	0	65V	2A	Analog & PWM Dimming
<b>Buck Current Regulator</b>								
<a href="#">LM3409HV-Q1</a>	1	No	6.0V	75V	0	75V	No Limit	Analog & PWM Dimming

# Front Lighting – Complete LED Headlamp

## Modular solution enabling scalable headlight architecture with adaptive functionality

Vehicles adopting LEDs for many exterior lighting functions can benefit from a full LED ECU platform approach based on a dual-stage power conversion architecture. This approach consists of a boost voltage pre-regulator stage that creates a stable DC voltage supply for a high-bandwidth buck LED current regulator output stage. TI's portfolio includes boost voltage pre-regulators with fault handling and spread spectrum EMI features as well as dual-buck current controllers that employ a quasi-hysteretic control topology to handle dynamic LED loads and to enable advanced dimming capabilities.

The [TPS92662-Q1 LED matrix manager](#) is a perfect solution to provide pixel-level control of the LEDs for dynamic headlight functions like sequential turn-signals and adaptive front lighting. Using front-facing cameras for vehicle and object detection, an LED matrix solution enables vehicles to automatically adjust the intensity of light emitted from the high/low beams without physical movement of the headlamps to create optimal roadway illumination.

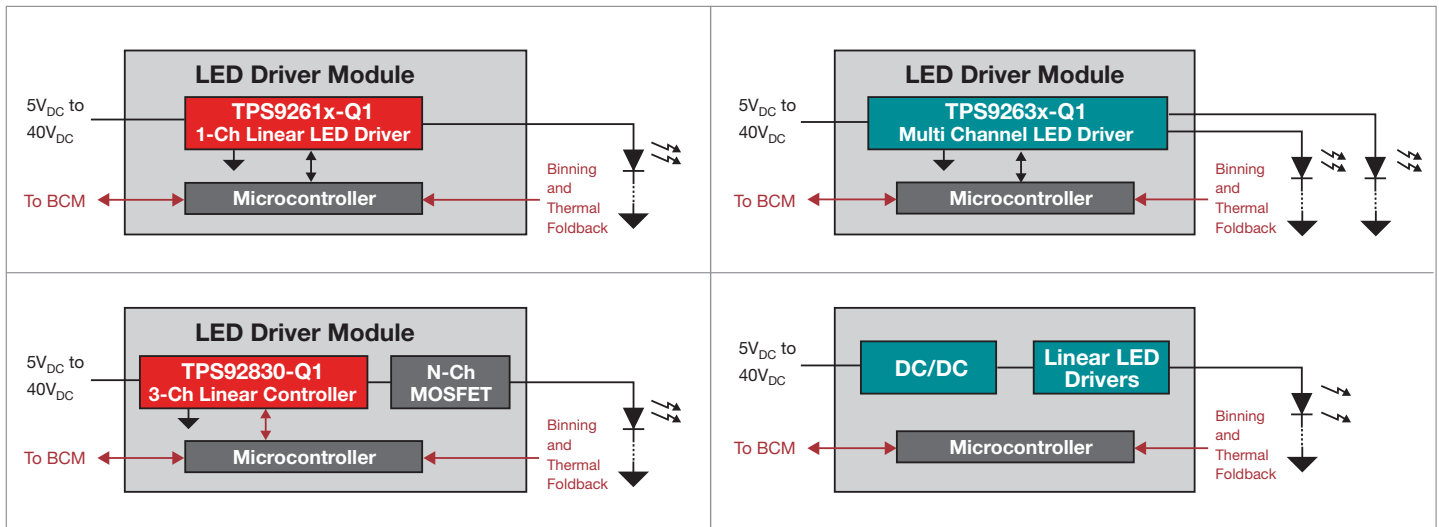


Device	# of Channels	Internal Switch(s)	Input Voltage		Output Voltage		Max LED Current	Special Features
			Min	Max	Min	Max		
<b>Boost Voltage Regulator</b>								
<a href="#">TPS92692-Q1</a>	1	No	4.5V	65V	N/A	65V	N/A	Adjustable Reference, Spread Spectrum, Fault Handling
<b>Buck Current Regulator</b>								
<a href="#">TPS92518HV-Q1</a>	2	No	6.5V	65V	0	65V	No Limit	Analog & PWM Dimming, SPI Interface, Fault Handling
<b>Matrix Controller</b>								
<a href="#">TPS92662-Q1</a>	12	Yes	4.5V	60V	0	60V	2A	10 bit PWM Dimming, UART, Fault Handling

# Rear Lighting: Reliable, Low EMI Solutions

## Integrated solutions with full diagnostic and thermal management features

TI's linear LED driver portfolio consists of reliable, low-EMI solutions for rear stop, turn and backup lighting. The portfolio offers a full range of devices with full diagnostics (e.g., LED open, short and single-LED short) and thermal management features as well as different output channel counts and output current capabilities. The [TPS92830-Q1](#) automotive LED controller is able to support higher power and greater system thermal performance simultaneously by removing the integrated MOSFET used in traditional LED drivers. TI's single-channel [TPS9261x-Q1](#) LED drivers family provides much more flexibility for engineers designing an array of different simple exterior lighting applications.



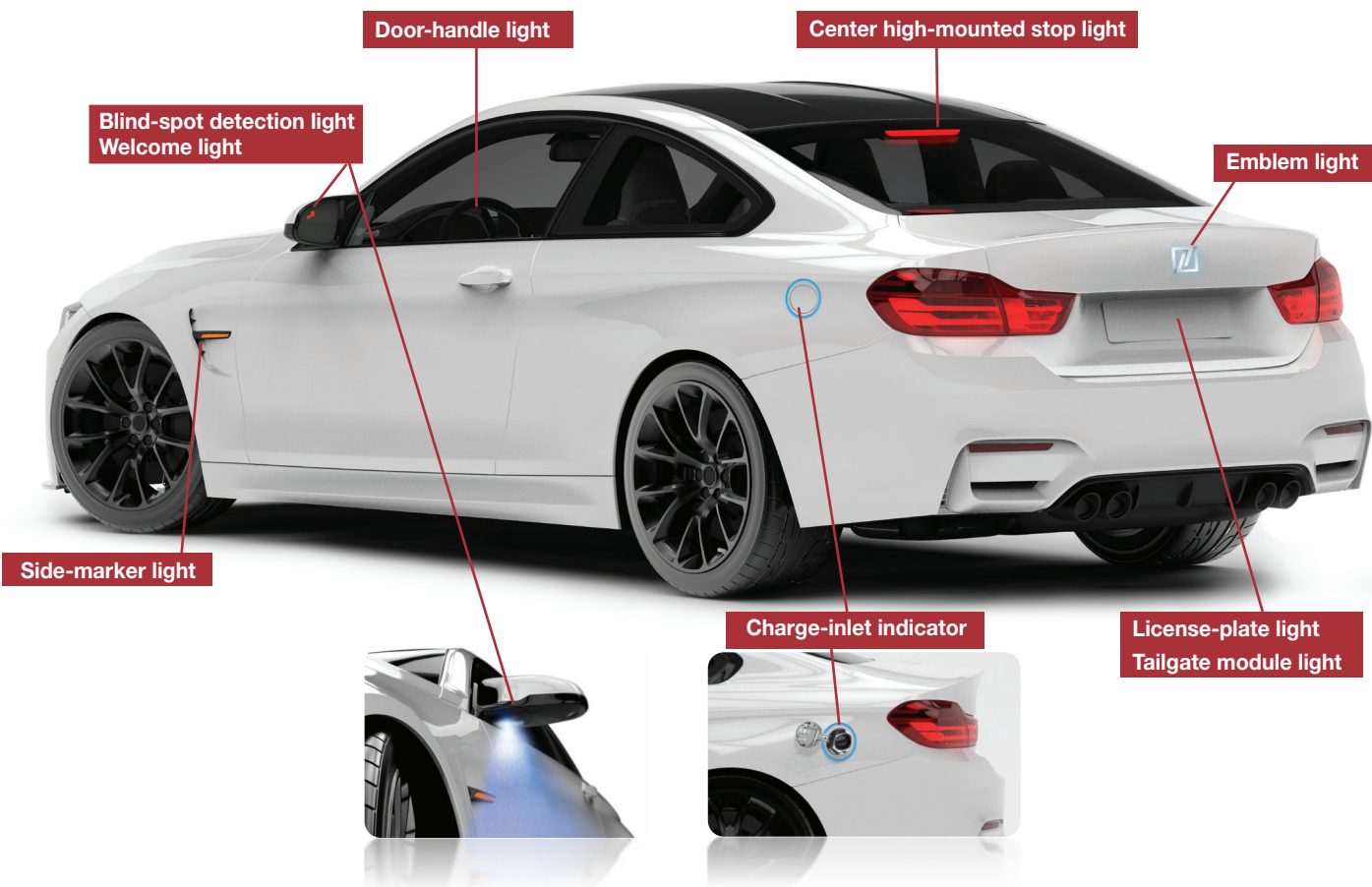
Device	# of Channels	FET Integrated	$V_{IN}$ (V)	Output Current per Channel (mA)	Output Current Accuracy (%)	Diagnostics and Protections	Package
<a href="#">TPS92830-Q1</a>	3	No	4.5 – 40	Decided by ext. FET	2.5	Open, Short, Output current derating	TSSOP-28
<a href="#">TPS92610-Q1</a>	1	Yes	4.5 – 40	450	4.5	Open, Short, Single LED short, Thermal shutdown	HTSSOP-14
<a href="#">TPS92611-Q1</a>	1	Yes	4.5 – 40	300	4.5	Open, Short, Thermal shutdown	MSOP-8
<a href="#">TPS92612-Q1</a>	1	Yes	4.5 – 40	150	4.5	Open, Short, Thermal shutdown	SOT23-5
<a href="#">TPS92613-Q1</a>	1	Yes	4.5 – 40	450	4.5	Open, Short, Thermal shutdown	T0263-7
<a href="#">TPS92630-Q1</a>	3	Yes	4.5 – 40	150	1.5	Open, Short, Single LED short, Thermal foldback	HTSSOP-16
<a href="#">TPS92638-Q1</a>	8	Yes	4.5 – 40	70	3.0	Open, Short, Thermal foldback	HTSSOP-20

# Other Signal & Convenience Lighting

## Flexible and easy-to-use LED solutions

LEDs are now widely used outside of traditional exterior lighting applications, enhancing the driver's experience with additional safety-enhancing and stylistic lighting options. TI's new [TPS9261x-Q1](#) single-channel linear LED driver family enables more styling possibilities for signal and convenience lighting applications, such as the ones outlined in the diagram below.

Higher current accuracy, fewer system components, and more system protection have become the most critical design considerations for automotive design engineers. TI's [TPS9261x-Q1](#) LED driver family offers differentiated output capabilities, packages, and diagnostic features, allowing design engineers to simplify their system by replacing many discrete components that would typically be used to achieve the same functionality. Learn more about TI's automotive LED driver portfolio at [www.ti.com/autoled](http://www.ti.com/autoled).



**Important Notice:** The products and services of Texas Instruments Incorporated and its subsidiaries described herein are sold subject to TI's standard terms and conditions of sale. Customers are advised to obtain the most current and complete information about TI products and services before placing orders. TI assumes no liability for applications assistance, customer's applications or product designs, software performance, or infringement of patents. The publication of information regarding any other company's products or services does not constitute TI's approval, warranty or endorsement thereof.

B011617

The platform bar and E2E are trademarks and WEBENCH is a registered mark of Texas Instruments. All other trademarks are the property of their respective owners.

## IMPORTANT NOTICE FOR TI DESIGN INFORMATION AND RESOURCES

Texas Instruments Incorporated ("TI") technical, application or other design advice, services or information, including, but not limited to, reference designs and materials relating to evaluation modules, (collectively, "TI Resources") are intended to assist designers who are developing applications that incorporate TI products; by downloading, accessing or using any particular TI Resource in any way, you (individually or, if you are acting on behalf of a company, your company) agree to use it solely for this purpose and subject to the terms of this Notice.

TI's provision of TI Resources does not expand or otherwise alter TI's applicable published warranties or warranty disclaimers for TI products, and no additional obligations or liabilities arise from TI providing such TI Resources. TI reserves the right to make corrections, enhancements, improvements and other changes to its TI Resources.

You understand and agree that you remain responsible for using your independent analysis, evaluation and judgment in designing your applications and that you have full and exclusive responsibility to assure the safety of your applications and compliance of your applications (and of all TI products used in or for your applications) with all applicable regulations, laws and other applicable requirements. You represent that, with respect to your applications, you have all the necessary expertise to create and implement safeguards that (1) anticipate dangerous consequences of failures, (2) monitor failures and their consequences, and (3) lessen the likelihood of failures that might cause harm and take appropriate actions. You agree that prior to using or distributing any applications that include TI products, you will thoroughly test such applications and the functionality of such TI products as used in such applications. TI has not conducted any testing other than that specifically described in the published documentation for a particular TI Resource.

You are authorized to use, copy and modify any individual TI Resource only in connection with the development of applications that include the TI product(s) identified in such TI Resource. NO OTHER LICENSE, EXPRESS OR IMPLIED, BY ESTOPPEL OR OTHERWISE TO ANY OTHER TI INTELLECTUAL PROPERTY RIGHT, AND NO LICENSE TO ANY TECHNOLOGY OR INTELLECTUAL PROPERTY RIGHT OF TI OR ANY THIRD PARTY IS GRANTED HEREIN, including but not limited to any patent right, copyright, mask work right, or other intellectual property right relating to any combination, machine, or process in which TI products or services are used. Information regarding or referencing third-party products or services does not constitute a license to use such products or services, or a warranty or endorsement thereof. Use of TI Resources may require a license from a third party under the patents or other intellectual property of the third party, or a license from TI under the patents or other intellectual property of TI.

TI RESOURCES ARE PROVIDED "AS IS" AND WITH ALL FAULTS. TI DISCLAIMS ALL OTHER WARRANTIES OR REPRESENTATIONS, EXPRESS OR IMPLIED, REGARDING TI RESOURCES OR USE THEREOF, INCLUDING BUT NOT LIMITED TO ACCURACY OR COMPLETENESS, TITLE, ANY EPIDEMIC FAILURE WARRANTY AND ANY IMPLIED WARRANTIES OF MERCHANTABILITY, FITNESS FOR A PARTICULAR PURPOSE, AND NON-INFRINGEMENT OF ANY THIRD PARTY INTELLECTUAL PROPERTY RIGHTS.

TI SHALL NOT BE LIABLE FOR AND SHALL NOT DEFEND OR INDEMNIFY YOU AGAINST ANY CLAIM, INCLUDING BUT NOT LIMITED TO ANY INFRINGEMENT CLAIM THAT RELATES TO OR IS BASED ON ANY COMBINATION OF PRODUCTS EVEN IF DESCRIBED IN TI RESOURCES OR OTHERWISE. IN NO EVENT SHALL TI BE LIABLE FOR ANY ACTUAL, DIRECT, SPECIAL, COLLATERAL, INDIRECT, PUNITIVE, INCIDENTAL, CONSEQUENTIAL OR EXEMPLARY DAMAGES IN CONNECTION WITH OR ARISING OUT OF TI RESOURCES OR USE THEREOF, AND REGARDLESS OF WHETHER TI HAS BEEN ADVISED OF THE POSSIBILITY OF SUCH DAMAGES.

You agree to fully indemnify TI and its representatives against any damages, costs, losses, and/or liabilities arising out of your non-compliance with the terms and provisions of this Notice.

This Notice applies to TI Resources. Additional terms apply to the use and purchase of certain types of materials, TI products and services. These include; without limitation, TI's standard terms for semiconductor products (<http://www.ti.com/sc/docs/stdterms.htm>), [evaluation modules](#), and [samples](http://www.ti.com/sc/docs/sampterm.htm) (<http://www.ti.com/sc/docs/sampterm.htm>).

Mailing Address: Texas Instruments, Post Office Box 655303, Dallas, Texas 75265  
Copyright © 2018, Texas Instruments Incorporated