

ISL12022MA

Low Power RTC with Battery Backed SRAM, Integrated ± 5 ppm Temperature Compensation and Auto Daylight Saving

FN7575
Rev 5.00
September 5, 2012

The ISL12022MA device is a low power real time clock (RTC) with an embedded temperature sensor and crystal. Device functions include oscillator compensation, clock/calendar, power fail and low battery monitors, brownout indicator, one-time, periodic or polled alarms, intelligent battery backup switching, Battery ReSeal™ function and 128 bytes of battery-backed user SRAM. Backup battery current draw is less than 1.6 μ A over the temperature range. The device is offered in a 20 Ld SOIC module that contains the RTC and an embedded 32.768kHz quartz crystal. The calibrated oscillator provides less than ± 5 ppm drift over the full -40°C to +85°C temperature range.

The RTC tracks time with separate registers for hours, minutes, and seconds. The calendar registers track date, month, year and day of the week and are accurate through 2099, with automatic leap year correction.

Daylight Savings time adjustment is done automatically, using parameters entered by the user. Power fail and battery monitors offer user-selectable trip levels. The time stamp function records the time and date of switchover from V_{DD} to V_{BAT} power, and also from V_{BAT} to V_{DD} power.

The ISL12022MA features enhanced immunity to ESD per the IEC61000-4-2 standard, and also provides improved resistance to system leakage related to environmental moisture.

Related Literature

- See [TB484](#) "ISL12022MA Enhanced RTC Module"
- See [AN1549](#) "Addressing Power Issues in Real Time Clock Applications"

Features

- Embedded 32.768kHz Quartz Crystal in the Package
- 20 Ld SOIC Package (for DFN version, refer to the ISL12020M)
- Calendar
- On-chip Oscillator Temperature Compensation
- 10-bit Digital Temperature Sensor Output
- 15 Selectable Frequency Outputs
- Interrupt for Alarm or 15 Selectable Frequency Outputs
- Automatic Backup to Battery or Supercapacitor
- V_{DD} and Battery Status Monitors
- Battery ReSeal™ Function to Extend Battery Shelf Life
- Power Status Brownout Monitor
- Time Stamp for Battery Switchover
- 128 Bytes Battery-Backed User SRAM
- 1.6 μ A Max Battery Current
- I²C Bus™
- RoHS Compliant

Applications

- Utility Meters
- POS Equipment
- Printers and Copiers
- Digital Cameras

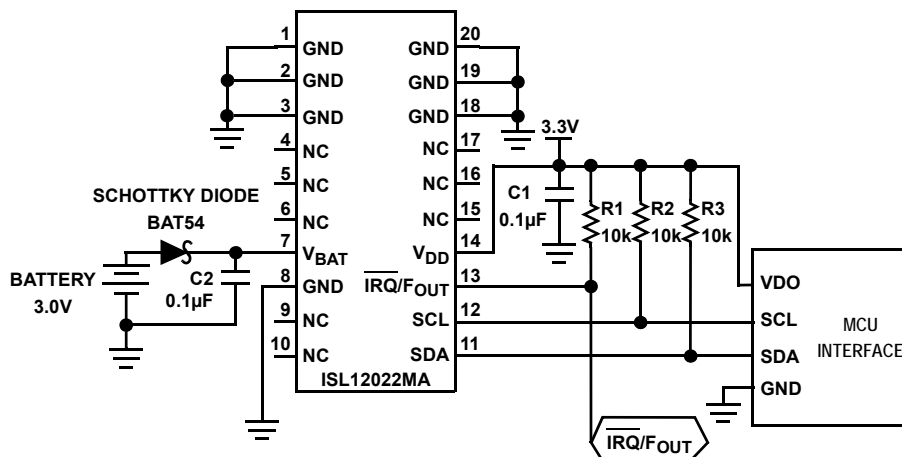
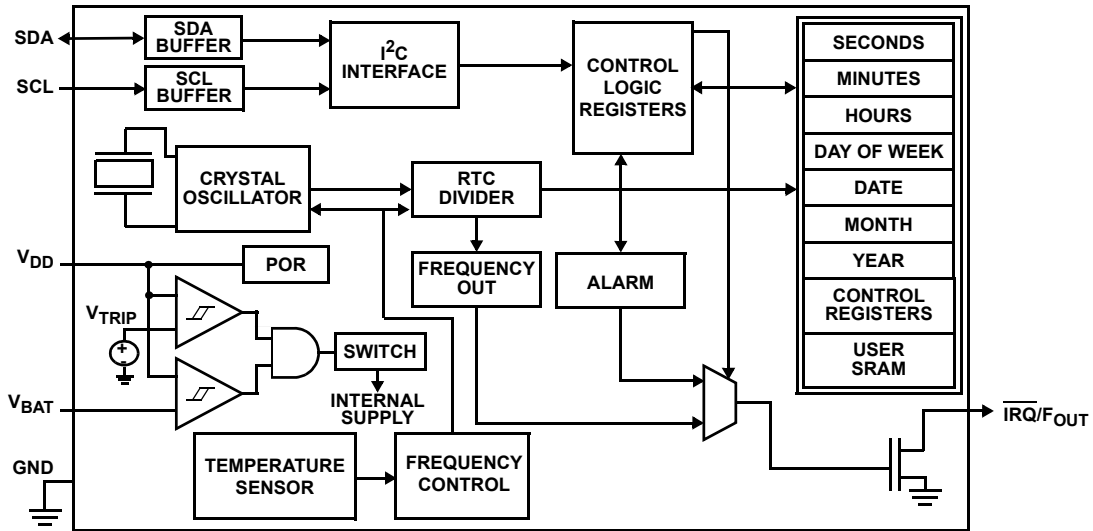


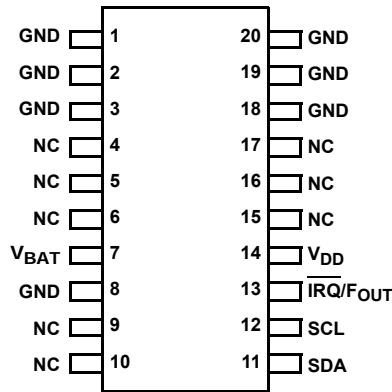
FIGURE 1. TYPICAL APPLICATION CIRCUIT

Block Diagram



Pin Configuration

ISL12022MA
(20 LD SOIC)
TOP VIEW



Pin Descriptions

| PIN NUMBER | SYMBOL | DESCRIPTION |
|----------------------------|------------------|--|
| 4, 5, 6, 9, 10, 15, 16, 17 | NC | No Connection. Do not connect to a signal or supply voltage. |
| 7 | V _{BAT} | Backup Supply. This input provides a backup supply voltage to the device. V _{BAT} supplies power to the device in the event that the V _{DD} supply fails. This pin can be connected to a battery, a supercapacitor or tied to ground if not used. See the Battery Monitor parameter in the “” table on page 6. This pin should be tied to ground if not used. |
| 11 | SDA | Serial Data. SDA is a bi-directional pin used to transfer data into and out of the device. It has an open drain output and may be OR'ed with other open drain or open collector outputs. The input buffer is always active (not gated) in normal mode. An open drain output requires the use of a pull-up resistor. The output circuitry controls the fall time of the output signal with the use of a slope controlled pull-down. The circuit is designed for 400kHz I ² C interface speeds. It is disabled when the backup power supply on the V _{BAT} pin is activated. |
| 12 | SCL | Serial Clock. The SCL input is used to clock all serial data into and out of the device. The input buffer on this pin is always active (not gated). It is disabled when the backup power supply on the V _{BAT} pin is activated to minimize power consumption. |

Pin Descriptions (Continued)

| PIN NUMBER | SYMBOL | DESCRIPTION |
|------------------------|-------------------------------------|--|
| 13 | $\overline{\text{IRQ}}/\text{FOUT}$ | Interrupt Output/Frequency Output (Default 32.768kHz frequency output). This dual function pin can be used as an interrupt or frequency output pin. The $\overline{\text{IRQ}}/\text{FOUT}$ mode is selected via the frequency out control bits of the control/status register. Interrupt Mode. The pin provides an interrupt signal output. This signal notifies a host processor that an alarm has occurred and requests action. It is an open drain active low output. Frequency Output Mode. The pin outputs a clock signal, which is related to the crystal frequency. The frequency output is user selectable and enabled via the I ² C bus. It is an open drain output. The output is open drain and requires a pull-up resistor. |
| 14 | V _{DD} | Power Supply. Chip power supply and ground pins. The device will operate with a power supply from V _{DD} = 2.7V to 5.5VDC. A 0.1μF capacitor is recommended on the VDD pin to ground. |
| 1, 2, 3, 8, 18, 19, 20 | GND | Ground Pin. |

Ordering Information

| PART NUMBER (Notes 2, 3) | PART MARKING | V _{DD} RANGE (V) | TEMP RANGE (°C) | PACKAGE (RoHS Compliant) | PKG. DWG. # |
|-----------------------------|-----------------|------------------------------|--------------------|-----------------------------|----------------|
| ISL12022MAIBZ | ISL12022MAIBZ | 2.7 to 5.5 | -40 to +85 | 20 Ld SOIC | M20.3 |
| ISL12022MAIBZ-T (Note 1) | ISL12022MAIBZ | 2.7 to 5.5 | -40 to +85 | 20 Ld SOIC (Tape and Reel) | M20.3 |

1. Please refer to [TB347](#) for details on reel specifications.
2. These Intersil plastic packaged products employ special material sets, molding compounds and 100% matte tin plate plus anneal (e3) termination finish. These products do contain Pb but they are RoHS compliant by exemption 7 (Pb in high melting temperature type solders, electronic ceramic parts (e.g. piezoelectric devices)) and exemption 5 (Pb in glass of electronic components). These Intersil RoHS compliant products are compatible with both SnPb and Pb free soldering operations. These Intersil RoHS compliant products are MSL classified at Pb-free peak reflow temperatures that meet or exceed the Pb-free requirements of IPC/JEDEC J STD-020.
3. For Moisture Sensitivity Level (MSL), please see device information page for [ISL12022MA](#). For more information on MSL please see Tech Brief [TB363](#).

Table of Contents

| | |
|--|-----------|
| Absolute Maximum Ratings | 6 |
| Thermal Information | 6 |
| DC Operating Characteristics RTC | 6 |
| Power-Down Timing | 7 |
| I²C Interface Specifications | 7 |
| SDA vs SCL Timing | 9 |
| Symbol Table | 9 |
| Typical Performance Curves | 10 |
| General Description | 11 |
| Functional Description | 12 |
| Power Control Operation | 12 |
| Normal Mode (V _{DD}) to Battery | |
| Backup Mode (V _{BAT}) | 12 |
| Battery Backup Mode (V _{BAT}) to | |
| Normal Mode (V _{DD}) | 12 |
| Power Failure Detection | 12 |
| Brownout Detection | 12 |
| Battery Level Monitor | 12 |
| Real Time Clock Operation | 13 |
| Single Event and Interrupt | 13 |
| Frequency Output Mode | 13 |
| General Purpose User SRAM | 13 |
| I ² C Serial Interface | 13 |
| Oscillator Compensation | 13 |
| Register Descriptions | 13 |
| Real Time Clock Registers | 15 |
| Addresses [00h to 06h] | 15 |
| Control and Status Registers (CSR) | 16 |
| Addresses [07h to 0Fh] | 16 |
| Power Supply Control Register (PWR_VDD) | 17 |
| Battery Voltage Trip Voltage Register | |
| (PWR_VBAT) | 18 |
| Initial AT and DT Setting Register (ITRO) | 18 |
| ALPHA Register (ALPHA) | 19 |
| BETA Register (BETA) | 20 |
| Final Analog Trimming Register (FATR) | 21 |
| Final Digital Trimming Register (FDTR) | 21 |
| ALARM Registers (10h to 15h) | 21 |
| Time Stamp VDD to Battery Registers (TSV2B) | 22 |
| Time Stamp Battery to VDD Registers (TSB2V) | 22 |
| DST Control Registers (DSTCR) | 23 |
| TEMP Registers (TEMP) | 23 |
| NPPM Registers (NPPM) | 24 |
| XT0 Registers (XT0) | 24 |
| ALPHA Hot Register (ALPHAH) | 25 |
| User Registers (Accessed by Using Slave Address 1010111x) | 25 |
| Addresses [00h to 7Fh] | 25 |
| I²C Serial Interface | 25 |
| Protocol Conventions | 25 |

| | |
|---|-----------|
| Device Addressing | 26 |
| Write Operation | 26 |
| Read Operation | 27 |
| Application Section | 27 |
| Power Supply Considerations | 27 |
| Battery Backup Details | 27 |
| Layout Considerations | 27 |
| Measuring Oscillator Accuracy | 28 |
| Temperature Compensation Operation | 28 |
| Daylight Savings Time (DST) Example | 28 |
| Device Handling Precautions | 29 |
| Revision History | 30 |
| Products | 30 |
| Package Outline Drawing | 31 |

Absolute Maximum Ratings

| | |
|--|---------------------------------|
| Voltage on V _{DD} , V _{BAT} and \overline{IRQ}/F_{OUT} pins (Respect to Ground) | -0.3V to 6.0V |
| Voltage on SCL and SDA pins (Respect to Ground) | -0.3V to V _{DD} + 0.3V |
| ESD Rating | |
| Human Body Model (Per JESD22-A114F) | >3kV |
| Machine Model (Per JESD22-A115B) | >300V |
| Charge Device Model (Per JESD22-C101D) | 2.2kV |
| Latch Up (Tested per JESD-78B; Class 2, Level A) | 100mA |
| Shock Resistance | 5000g, 0.3ms, 1/2 sine |
| Vibration (Ultrasound cleaning not advised) | 20g/10-2000Hz, |

Thermal Information

| | | |
|---------------------------------------|---|----------------------|
| Thermal Resistance (Typical) | θ_{JA} (°C/W) | θ_{JC} (°C/W) |
| 20 Lead SOIC (Notes 4, 5) | 70 | 35 |
| Storage Temperature | -40°C to +85°C | |
| Pb-Free Reflow Profile (Note 6) | see link below | |
| | http://www.intersil.com/pbfree/Pb-FreeReflow.asp | |

CAUTION: Do not operate at or near the maximum ratings listed for extended periods of time. Exposure to such conditions may adversely impact product reliability and result in failures not covered by warranty.

NOTES:

- θ_{JA} is measured with the component mounted on a high effective thermal conductivity test board in free air. See Tech Brief [TB379](#) for details.
- For θ_{JC} , the "case temp" location is on top of the package and measured in the center of the package between pins 6 and 15.
- The ISL12022MA Oscillator Initial Accuracy can change after solder reflow attachment. The amount of change will depend on the reflow temperature and length of exposure. A general rule is to use only one reflow cycle and keep the temperature and time as short as possible. Changes on the order of ± 1 ppm to ± 3 ppm can be expected with typical reflow profiles.

DC Operating Characteristics RTC Test Conditions: V_{DD} = +2.7 to +5.5V, T_A = -40°C to +85°C, unless otherwise stated. **Boldface** limits apply over the operating temperature range, -40°C to +85°C.

| SYMBOL | PARAMETER | CONDITIONS | MIN (Note 7) | TYP (Note 8) | MAX (Note 7) | UNITS | NOTES |
|----------------------|---|---|-----------------|-----------------|-----------------|-------|--------|
| V _{DD} | Main Power Supply | (Note 15) | 2.7 | | 5.5 | V | |
| V _{BAT} | Battery Supply Voltage | (Note 15) | 1.8 | | 5.5 | V | 9 |
| I _{DD1} | Supply Current. (I ² C Not Active, Temperature Conversion Not Active, F _{OUT} Not Active) | V _{DD} = 5V | | 4.1 | 15 | μA | 10, 11 |
| | | V _{DD} = 3V | | 3.5 | 14 | μA | 10, 11 |
| I _{DD2} | Supply Current. (I ² C Active, Temperature Conversion Not Active, F _{OUT} Not Active) | V _{DD} = 5V | | 200 | 500 | μA | 10, 11 |
| I _{DD3} | Supply Current. (I ² C Not Active, Temperature Conversion Active, F _{OUT} Not Active) | V _{DD} = 5V | | 120 | 400 | μA | 10, 11 |
| I _{BAT} | Battery Supply Current | V _{DD} = 0V, V _{BAT} = 3V, T _A = +25°C | | 1.0 | 1.6 | μA | 10 |
| | | V _{DD} = 0V, V _{BAT} = 3V | | 1.0 | 5.0 | μA | 10 |
| I _{BATLKG} | Battery Input Leakage | V _{DD} = 5.5V, V _{BAT} = 1.8V | | | 100 | nA | |
| I _{LI} | Input Leakage Current on SCL | V _{IL} = 0V, V _{IH} = V _{DD} | -1.0 | ±0.1 | 1.0 | μA | |
| I _{LO} | I/O Leakage Current on SDA | V _{IL} = 0V, V _{IH} = V _{DD} | -1.0 | ±0.1 | 1.0 | μA | |
| V _{BATM} | Battery Level Monitor Threshold | | -100 | | +100 | mV | |
| V _{PBM} | Brownout Level Monitor Threshold | | -100 | | +100 | mV | |
| V _{TRIP} | V _{BAT} Mode Threshold | (Note 15) | 2.0 | 2.2 | 2.4 | V | |
| V _{TRIPHYS} | V _{TRIP} Hysteresis | | | 30 | | mV | 13 |
| V _{BATHYS} | V _{BAT} Hysteresis | | | 50 | | mV | 13 |

DC Operating Characteristics RTC

Test Conditions: VDD = +2.7 to +5.5V, TA = -40°C to +85°C, unless otherwise stated. **Boldface limits apply over the operating temperature range, -40°C to +85°C. (Continued)**

| SYMBOL | PARAMETER | CONDITIONS | MIN (Note 7) | TYP (Note 8) | MAX (Note 7) | UNITS | NOTES |
|-------------------------------------|--|-----------------------|-----------------|-----------------|-----------------|-------|-------|
| OSCILLATOR ACCURACY | | | | | | | |
| ΔF_{outI} | Oscillator Initial Accuracy | VDD = 3.3V | -2 | | +8 | ppm | 6, 17 |
| ΔF_{outR} | Oscillator Accuracy after Reflow Cycle | VDD = 3.3V | | ± 5 | | ppm | 6, 17 |
| ΔF_{outT} | Oscillator Stability vs Temperature | VDD = 3.3V | | ± 2 | | ppm | 6, 18 |
| ΔF_{outV} | Oscillator Stability vs Voltage | 2.7V ≤ VDD ≤ 5.5V | -3 | | +3 | ppm | 19 |
| Temp | Temperature Sensor Accuracy | VDD = VBAT = 3.3V | | ± 2 | | °C | 13 |
| IRQ/FOUT (OPEN DRAIN OUTPUT) | | | | | | | |
| VOL | Output Low Voltage | VDD = 5V, IOL = 3mA | | | 0.4 | V | |
| | | VDD = 2.7V, IOL = 1mA | | | 0.4 | V | |

Power-Down Timing

Test Conditions: VDD = +2.7 to +5.5V, Temperature = -40°C to +85°C, unless otherwise stated. **Boldface limits apply over the operating temperature range, -40°C to +85°C.**

| SYMBOL | PARAMETER | CONDITIONS | MIN (Note 7) | TYP (Note 8) | MAX (Note 7) | UNITS | NOTES |
|--------|---------------------------------|------------|-----------------|-----------------|-----------------|-------|-------|
| VDDSR- | VDD Negative Slew Rate | | | | 10 | V/ms | 12 |
| VDDSR+ | VDD Positive Slew Rate, minimum | | | 0.05 | | V/ms | 16 |

I²C Interface Specifications

Test Conditions: VDD = +2.7 to +5.5V, Temperature = -40°C to +85°C, unless otherwise specified. **Boldface limits apply over the operating temperature range, -40°C to +85°C.**

| SYMBOL | PARAMETER | TEST CONDITIONS | MIN (Note 7) | TYP (Note 8) | MAX (Note 7) | UNITS | NOTES |
|------------|--|---|------------------|-----------------|------------------|-------|--------|
| VIL | SDA and SCL Input Buffer LOW Voltage | | -0.3 | | 0.3 x VDD | V | |
| VIH | SDA and SCL Input Buffer HIGH Voltage | | 0.7 x VDD | | VDD + 0.3 | V | |
| Hysteresis | SDA and SCL Input Buffer Hysteresis | | | 0.05 x VDD | | V | 13, 14 |
| VOL | SDA Output Buffer LOW Voltage, Sinking 3mA | VDD = 5V, IOL = 3mA | 0 | 0.02 | 0.4 | V | |
| Cpin | SDA and SCL Pin Capacitance | TA = +25°C, f = 1MHz, VDD = 5V, VIN = 0V, VOUT = 0V | | | 10 | pF | 13, 14 |
| fSCL | SCL Frequency | | | | 400 | kHz | |
| tIN | Pulse Width Suppression Time at SDA and SCL Inputs | Any pulse narrower than the max spec is suppressed. | | | 50 | ns | |
| tAA | SCL Falling Edge to SDA Output Data Valid | SCL falling edge crossing 30% of VDD, until SDA exits the 30% to 70% of VDD window. | | | 900 | ns | |
| tBUF | Time the Bus Must be Free Before the Start of a New Transmission | SDA crossing 70% of VDD during a STOP condition, to SDA crossing 70% of VDD during the following START condition. | 1300 | | | ns | |
| tLOW | Clock LOW Time | Measured at the 30% of VDD crossing. | 1300 | | | ns | |
| tHIGH | Clock HIGH Time | Measured at the 70% of VDD crossing. | 600 | | | ns | |

I²C Interface Specifications

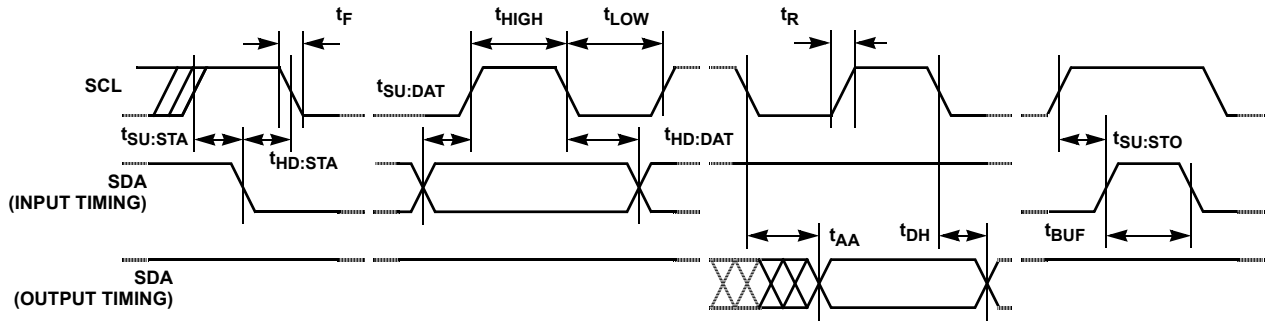
Test Conditions: $V_{DD} = +2.7$ to $+5.5V$, Temperature = $-40^{\circ}C$ to $+85^{\circ}C$, unless otherwise specified. **Boldface limits apply over the operating temperature range, $-40^{\circ}C$ to $+85^{\circ}C$. (Continued)**

| SYMBOL | PARAMETER | TEST CONDITIONS | MIN (Note 7) | TYP (Note 8) | MAX (Note 7) | UNITS | NOTES |
|--------------|---|---|---|-----------------|-----------------|-----------|--------|
| $t_{SU:STA}$ | START Condition Setup Time | SCL rising edge to SDA falling edge. Both crossing 70% of V_{DD} . | 600 | | | ns | |
| $t_{HD:STA}$ | START Condition Hold Time | From SDA falling edge crossing 30% of V_{DD} to SCL falling edge crossing 70% of V_{DD} . | 600 | | | ns | |
| $t_{SU:DAT}$ | Input Data Setup Time | From SDA exiting the 30% to 70% of V_{DD} window, to SCL rising edge crossing 30% of V_{DD} . | 100 | | | ns | |
| $t_{HD:DAT}$ | Input Data Hold Time | From SCL falling edge crossing 30% of V_{DD} to SDA entering the 30% to 70% of V_{DD} window. | 20 | | 900 | ns | |
| $t_{SU:STO}$ | STOP Condition Setup Time | From SCL rising edge crossing 70% of V_{DD} , to SDA rising edge crossing 30% of V_{DD} . | 600 | | | ns | |
| $t_{HD:STO}$ | STOP Condition Hold Time | From SDA rising edge to SCL falling edge. Both crossing 70% of V_{DD} . | 600 | | | ns | |
| t_{DH} | Output Data Hold Time | From SCL falling edge crossing 30% of V_{DD} , until SDA enters the 30% to 70% of V_{DD} window. | 0 | | | ns | |
| t_R | SDA and SCL Rise Time | From 30% to 70% of V_{DD} . | $20 + 0.1 \times C_b$ | | 300 | ns | 13, 14 |
| t_F | SDA and SCL Fall Time | From 70% to 30% of V_{DD} . | $20 + 0.1 \times C_b$ | | 300 | ns | 13, 14 |
| C_b | Capacitive Loading of SDA or SCL | Total on-chip and off-chip | 10 | | 400 | pF | 13, 14 |
| R_{PU} | SDA and SCL Bus Pull-up Resistor Off-chip | Maximum is determined by t_R and t_F . For $C_b = 400pF$, max is about $2k\Omega \sim 2.5k\Omega$. For $C_b = 40pF$, max is about $15k\Omega \sim 20k\Omega$ | 1 | | | $k\Omega$ | 13, 14 |

NOTES:

- Parameters with MIN and/or MAX limits are 100% tested at $+25^{\circ}C$, unless otherwise specified. Temperature limits established by characterization and are not production tested.
- Specified at $+25^{\circ}C$.
- Temperature Conversion is inactive below $V_{BAT} = 2.7V$. Device operation is not guaranteed at $V_{BAT} < 1.8V$.
- IRQ/F_{OUT} inactive.
- $V_{DD} > V_{BAT} + V_{BATHYS}$
- In order to ensure proper timekeeping, the $V_{DD} SR$ specification must be followed.
- Limits should be considered typical and are not production tested.
- These are I²C specific parameters and are not tested, however, they are used to set conditions for testing devices to validate specification.
- Minimum V_{DD} and/or V_{BAT} of 1V to sustain the SRAM. The value is based on characterization and it is not tested.
- To avoid EEPROM recall issues, it is advised to use this minimum power up slew rate. Not tested, shown as typical only.
- Defined as the deviation from a target oscillator frequency of 32,768.0Hz at room temperature.
- Defined as the deviation from the room temperature measured 1Hz frequency, $V_{DD} = 3.3V$, at $T_A = -40^{\circ}C$ to $+85^{\circ}C$.
- Defined as the deviation at room temperature from the measured 1Hz frequency (or equivalent) at $V_{DD} = 3.3$, over the range of $V_{DD} = 2.7V$ to $V_{DD} = 5.5V$.

SDA vs SCL Timing



EQUIVALENT AC OUTPUT LOAD CIRCUIT FOR $V_{DD} = 5V$

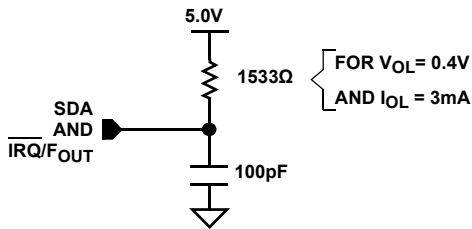


FIGURE 2. STANDARD OUTPUT LOAD FOR TESTING THE DEVICE WITH $V_{DD} = 5.0V$

Symbol Table

| WAVEFORM | INPUTS | OUTPUTS |
|----------|-----------------------------|-------------------------------|
| | Must be steady | Will be steady |
| | May change from LOW to HIGH | Will change from LOW to HIGH |
| | May change from HIGH to LOW | Will change from HIGH to LOW |
| | Don't Care: Changes Allowed | Changing: State Not Known |
| | N/A | Center Line is High Impedance |

Typical Performance Curves

Temperature is +25°C unless otherwise specified.

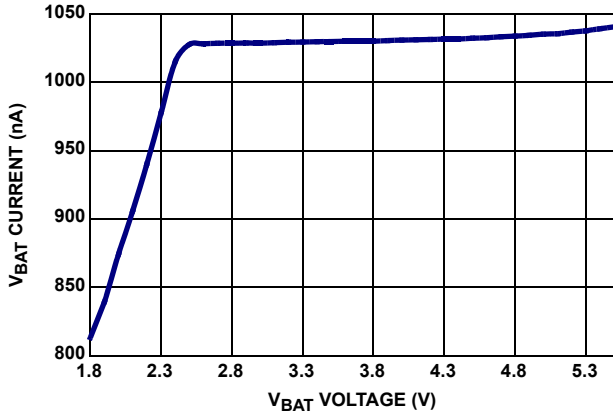


FIGURE 3. I_{BAT} vs V_{BAT} ($V_{DD} = 0V$)

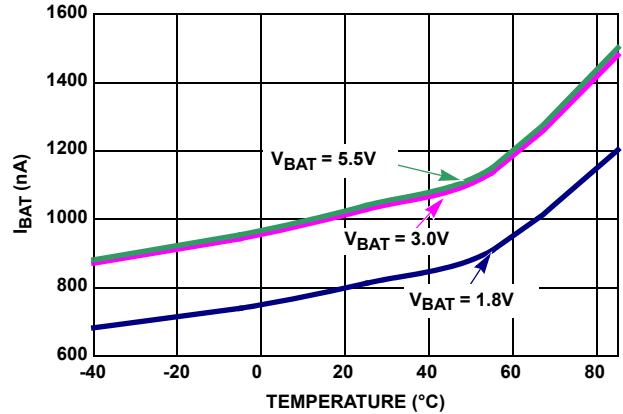


FIGURE 4. I_{BAT} vs TEMPERATURE ($V_{DD} = 0V$)

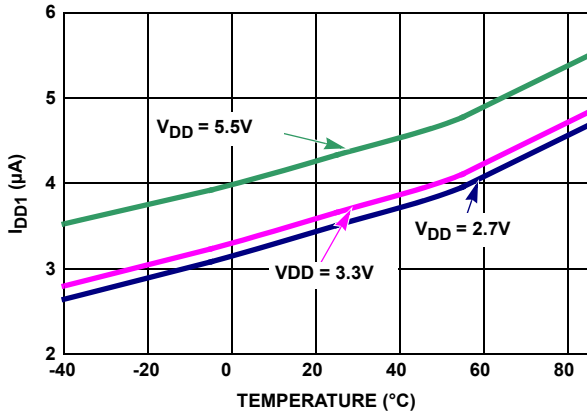


FIGURE 5. I_{DD1} vs TEMPERATURE

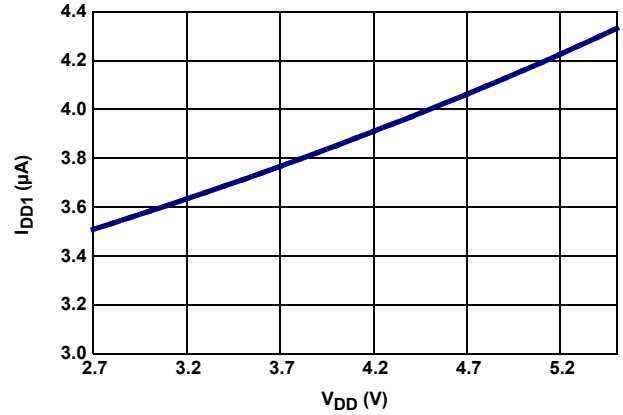


FIGURE 6. I_{DD1} vs V_{DD}

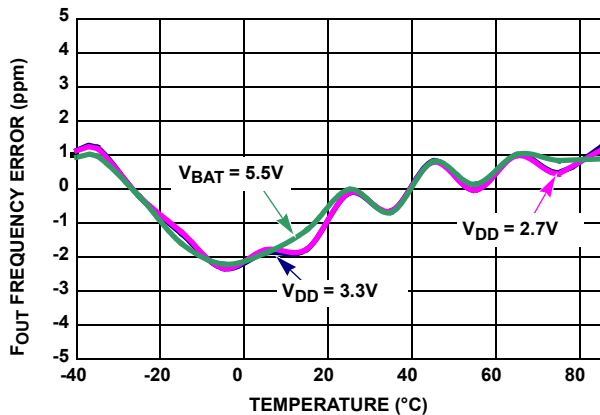


FIGURE 7. OSCILLATOR ERROR vs TEMPERATURE

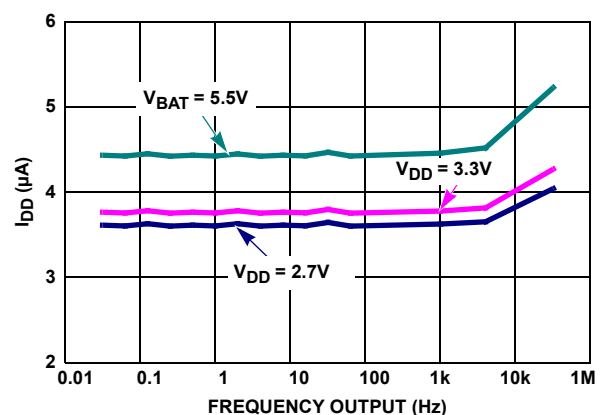


FIGURE 8. F_{OUT} vs I_{DD}

Typical Performance Curves

Temperature is +25°C unless otherwise specified. (Continued)

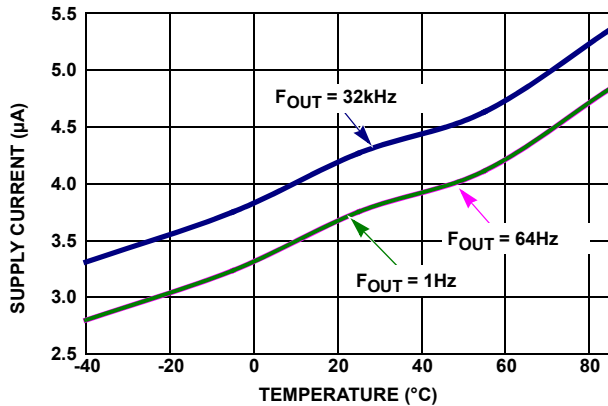


FIGURE 9. I_{DD} vs TEMPERATURE, 3 DIFFERENT F_{OUT}

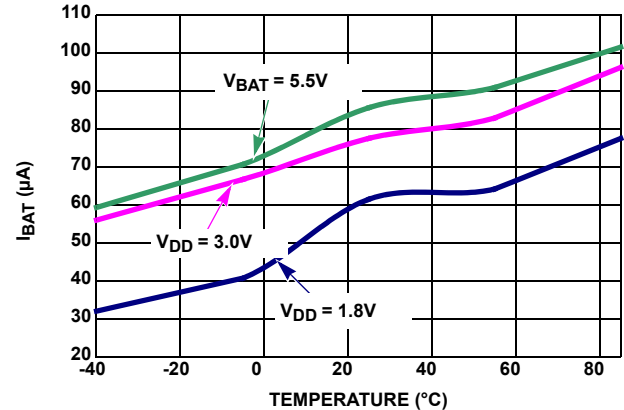


FIGURE 10. I_{BAT} WITH TSE = 1, BTSE = 1 vs TEMPERATURE

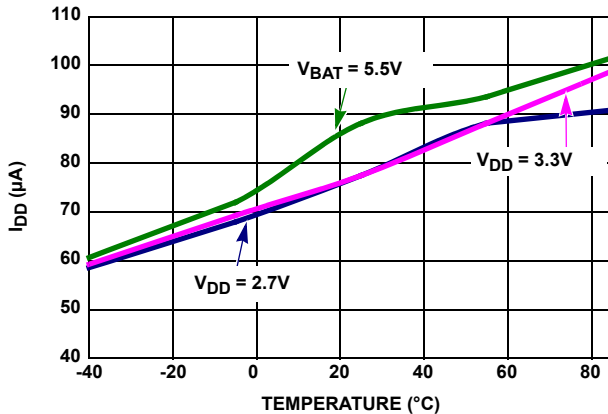


FIGURE 11. I_{DD} WITH TSE = 1 vs TEMPERATURE

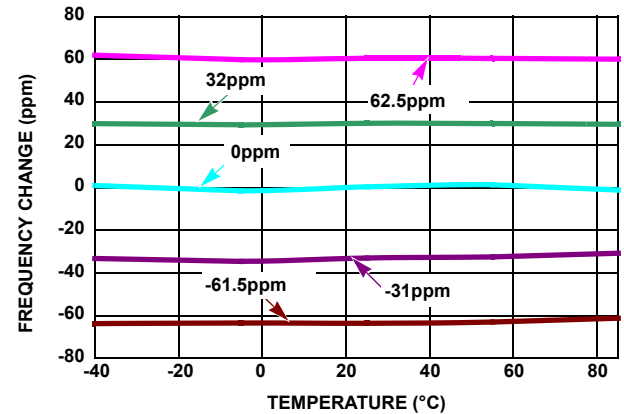


FIGURE 12. OSCILLATOR CHANGE vs TEMPERATURE AT DIFFERENT AGING SETTINGS (IATR) (BETA SET FOR 1ppm STEPS)

General Description

The ISL12022MA device is a low power real time clock (RTC) with embedded temperature sensor and crystal. It contains crystal frequency compensation circuitry over the operating temperature range good to ± 5 ppm accuracy. It also contains a clock/calendar with Daylight Savings Time (DST) adjustment, power fail and low battery monitors, brownout indicator, 1 periodic or polled alarm, intelligent battery backup switching and 128 Bytes of battery-backed user SRAM.

The oscillator uses an internal 32.768kHz crystal. The real time clock tracks time with separate registers for hours, minutes and seconds. The device has calendar registers for date, month, year and day of the week. The calendar is accurate through 2099, with automatic leap year correction. In addition, the ISL12022MA can be programmed for automatic Daylight Saving Time (DST) adjustment by entering local DST information.

The ISL12022MA's alarm can be set to any clock/calendar value for a match. For example, every minute, every Tuesday or at 5:23 AM on March 21. The alarm status is available by checking the Status Register, or the device can be configured to provide a hardware interrupt via the \overline{IRQ}/F_{OUT} pin. There is a repeat mode for

the alarm allowing a periodic interrupt every minute, every hour, every day, etc.

The device also offers a backup power input pin. This VBAT pin allows the device to be backed up by battery or supercapacitor with automatic switchover from V_{DD} to V_{BAT} . The ISL12022MA device is specified for $V_{DD} = 2.7V$ to 5.5V and the clock/calendar portion of the device remains fully operational in battery backup mode down to 1.8V (Standby Mode). The V_{BAT} level is monitored and reported against preselected levels. The first report is registered when the V_{BAT} level falls below 85% of nominal level; the second level is set for 75%. Battery levels are stored in PWR_VBAT registers.

The ISL12022MA offers a "Brownout" alarm once the V_{DD} falls below a pre-selected trip level. This allows system Micro to save vital information to memory before complete power loss. There are six V_{DD} levels that could be selected for initiation of the Brownout alarm.

Functional Description

Power Control Operation

The power control circuit accepts a V_{DD} and a V_{BAT} input. Many types of batteries can be used with Intersil RTC products. For example, 3.0V or 3.6V Lithium batteries are appropriate, and battery sizes are available that can power the ISL12022MA for up to 10 years. Another option is to use a supercapacitor for applications where V_{DD} is interrupted for up to a month. See the "Application Section" on page 27 for more information.

Normal Mode (V_{DD}) to Battery Backup Mode (V_{BAT})

To transition from the V_{DD} to V_{BAT} mode, both of the following conditions must be met:

Condition 1:

$V_{DD} < V_{BAT} - V_{BATHYS}$
where $V_{BATHYS} \approx 50\text{mV}$

Condition 2:

$V_{DD} < V_{TRIP}$
where $V_{TRIP} \approx 2.2\text{V}$

Battery Backup Mode (V_{BAT}) to Normal Mode (V_{DD})

The ISL12022MA device will switch from the V_{BAT} to V_{DD} mode when one of the following conditions occurs:

Condition 1:

$V_{DD} > V_{BAT} + V_{BATHYS}$
where $V_{BATHYS} \approx 50\text{mV}$

Condition 2:

$V_{DD} > V_{TRIP} + V_{TRIPHYS}$
where $V_{TRIPHYS} \approx 30\text{mV}$

These power control situations are illustrated in Figures 13 and 14.

The I²C bus is deactivated in battery backup mode to reduce power consumption. Aside from this, all RTC functions are operational during battery backup mode. Except for SCL and SDA, all the inputs and outputs of the ISL12022MA are active during battery backup mode unless disabled via the control register.

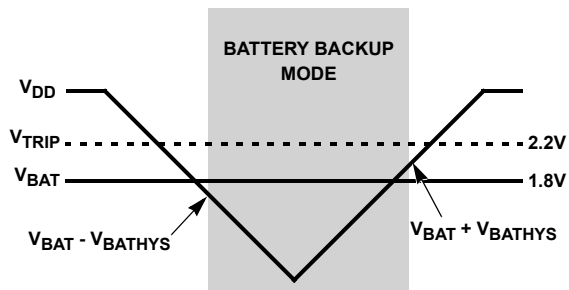


FIGURE 13. BATTERY SWITCHOVER WHEN $V_{BAT} < V_{TRIP}$

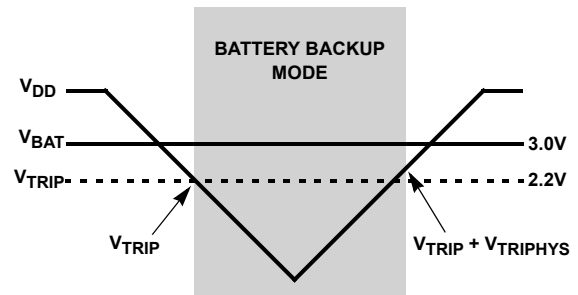


FIGURE 14. BATTERY SWITCHOVER WHEN $V_{BAT} > V_{TRIP}$

The device Time Stamps the switchover from V_{DD} to V_{BAT} and V_{BAT} to V_{DD} , and the time is stored in t_{SV2B} and t_{SB2V} registers respectively. If multiple V_{DD} power-down sequences occur before the status is read, the earliest V_{DD} to V_{BAT} power-down time is stored and the most recent V_{BAT} to V_{DD} time is stored.

Temperature conversion and compensation can be enabled in battery backup mode. Bit BTSE in the BETA register controls this operation, as described in "BETA Register (BETA)" on page 20.

Power Failure Detection

The ISL12022MA provides a Real Time Clock Failure Bit (RTCF) to detect total power failure. It allows users to determine if the device has powered up after having lost all power to the device (both V_{DD} and V_{BAT}).

Brownout Detection

The ISL12022MA monitors the V_{DD} level continuously and provides warning if the V_{DD} level drops below prescribed levels. There are six (6) levels that can be selected for the trip level. These values are 85% below popular V_{DD} levels. The LVDD bit in the Status Register will be set to "1" when brownout is detected. Note that the I²C serial bus remains active unless the Battery V_{TRIP} levels are reached.

Battery Level Monitor

The ISL12022MA has a built-in warning feature once the backup battery level drops first to 85% and then to 75% of the battery's nominal V_{BAT} level. When the battery voltage drops to between 85% and 75%, the LBAT85 bit is set in the status register. When the level drops below 75%, both LBAT85 and LBAT75 bits are set in the status register.

The battery level monitor is not functional in battery backup mode. In order to read the monitor bits after powering up V_{DD} , instigate a battery level measurement by setting the TSE bit to "1" (BETA register), and then read the bits.

There is a Battery Time Stamp Function available. Once the V_{DD} is low enough to enable switchover to the battery, the RTC time/date are written into the TSV2B register. This information can be read from the TSV2B registers to discover the point in time of the V_{DD} power-down. If there are multiple power-down cycles before reading these registers, the first values stored in these registers will be retained. These registers will hold the original power-down value until they are cleared by setting CLRTS = 1 to clear the registers.

The normal power switching of the ISL12022MA is designed to switch into battery backup mode only if the V_{DD} power is lost. This will ensure that the device can accept a wide range of backup voltages from many types of sources while reliably switching into backup mode.

Note that the ISL12022MA is not guaranteed to operate with $V_{BAT} < 1.8V$. If the battery voltage is expected to drop lower than this minimum, correct operation of the device, (especially after a V_{DD} power-down cycle) is not guaranteed.

The minimum V_{BAT} to insure SRAM is stable is 1.0V. Below that, the SRAM may be corrupted when V_{DD} power resumes.

Real Time Clock Operation

The Real Time Clock (RTC) uses an integrated 32.768kHz quartz crystal to maintain an accurate internal representation of second, minute, hour, day of week, date, month, and year. The RTC also has leap-year correction. The clock also corrects for months having fewer than 31 days and has a bit that controls 24-hour or AM/PM format. When the ISL12022MA powers up after the loss of both V_{DD} and V_{BAT} , the clock will not begin incrementing until at least one byte is written to the clock register.

Single Event and Interrupt

The alarm mode is enabled via the MSB bit. Choosing single event or interrupt alarm mode is selected via the IM bit. Note that when the frequency output function is enabled, the alarm function is disabled.

The standard alarm allows for alarms of time, date, day of the week, month, and year. When a time alarm occurs in single event mode, the \overline{IRQ}/F_{OUT} pin will be pulled low and the alarm status bit (ALM) will be set to "1".

The pulsed interrupt mode allows for repetitive or recurring alarm functionality. Hence, once the alarm is set, the device will continue to alarm for each occurring match of the alarm and present time. Thus, it will alarm as often as every minute (if only the nth second is set) or as infrequently as once a year (if at least the nth month is set). During pulsed interrupt mode, the \overline{IRQ}/F_{OUT} pin will be pulled low for 250ms and the alarm status bit (ALM) will be set to "1".

The ALM bit can be reset by the user or cleared automatically using the auto reset mode (see ARST bit). The alarm function can be enabled/disabled during battery backup mode using the FOBATB bit. For more information on the alarm, please see "ALARM Registers (10h to 15h)" on page 21.

Frequency Output Mode

The ISL12022MA has the option to provide a clock output signal using the \overline{IRQ}/F_{OUT} open drain output pin. The frequency output mode is set by using the FO bits to select 15 possible output frequency values from 1/32Hz to 32kHz. The frequency output can be enabled/disabled during Battery Backup mode using the FOBATB bit.

General Purpose User SRAM

The ISL12022MA provides 128 bytes of user SRAM. The SRAM will continue to operate in battery backup mode. However, it

should be noted that the I^2C bus is disabled in battery backup mode.

I^2C Serial Interface

The ISL12022MA has an I^2C serial bus interface that provides access to the control and status registers and the user SRAM. The I^2C serial interface is compatible with other industry I^2C serial bus protocols using a bi-directional data signal (SDA) and a clock signal (SCL).

Oscillator Compensation

The ISL12022MA provides both initial timing correction and temperature correction due to variation of the crystal oscillator. Analog and digital trimming control is provided for initial adjustment, and a temperature compensation function is provided to automatically correct for temperature drift of the crystal. Initial values for the initial AT and DT settings (ITRO), temperature coefficient (ALPHA), crystal capacitance (BETA), as well as the crystal turn-over temperature (XTO), are preset internally and recalled to RAM registers on power-up. The compensation function can be enabled/disabled at any time and can be used in battery mode as well.

Register Descriptions

The battery-backed registers are accessible following a slave byte of "1101111x" and reads or writes to addresses [00h:2Fh]. The defined addresses and default values are described in the Table 1. The battery backed general purpose SRAM has a different slave address (1010111x), so it is not possible to read/write that section of memory while accessing the registers.

REGISTER ACCESS

The contents of the registers can be modified by performing a byte or a page write operation directly to any register address.

The registers are divided into 8 sections. They are:

1. Real Time Clock (7 bytes): Address 00h to 06h.
2. Control and Status (9 bytes): Address 07h to 0Fh.
3. Alarm (6 bytes): Address 10h to 15h.
4. Time Stamp for Battery Status (5 bytes): Address 16h to 1Ah.
5. Time Stamp for V_{DD} Status (5 bytes): Address 1Bh to 1Fh.
6. Day Light Saving Time (8 bytes): 20h to 27h.
7. TEMP (2 bytes): 28h to 29h.
8. Crystal Net PPM Correction, NPPM (2 bytes): 2Ah, 2Bh.
9. Crystal Turnover Temperature, XTO (1 byte): 2Ch.
10. Crystal ALPHA at high temperature, ALPHA_H (1 byte): 2Dh.
11. Scratch Pad (2 bytes): Address 2Eh and 2Fh.

Write capability is allowable into the RTC registers (00h to 06h) only when the WRTC bit (bit 6 of address 08h) is set to "1". A multi-byte read or write operation should be limited to one section per operation for best RTC time keeping performance.

A register can be read by performing a random read at any address at any time. This returns the contents of that register location. Additional registers are read by performing a sequential read. For the RTC and Alarm registers, the read instruction latches all clock registers into a buffer, so an update of the clock

does not change the time being read. At the end of a read, the master supplies a stop condition to end the operation and free the bus. After a read, the address remains at the previous address +1 so the user can execute a current address read and continue reading the next register. When the previous address is 2Fh, the next address will wrap around to 00h.

It is not necessary to set the WRTC bit prior to writing into the control and status, alarm, and user SRAM registers.

TABLE 1. REGISTER MEMORY MAP (YELLOW SHADING INDICATES READ-ONLY BITS)

| ADDR. | SECTION | REG NAME | BIT | | | | | | | | RANGE | DEFAULT |
|-------|----------|----------|--------|---------|---------|---------|---------|-----------------------|-----------------------|-----------------------|----------|----------|
| | | | 7 | 6 | 5 | 4 | 3 | 2 | 1 | 0 | | |
| 00h | RTC | SC | 0 | SC22 | SC21 | SC20 | SC13 | SC12 | SC11 | SC10 | 0 to 59 | 00h |
| 01h | | MN | 0 | MN22 | MN21 | MN20 | MN13 | MN12 | MN11 | MN10 | 0 to 59 | 00h |
| 02h | | HR | MIL | 0 | HR21 | HR20 | HR13 | HR12 | HR11 | HR10 | 0 to 23 | 00h |
| 03h | | DT | 0 | 0 | DT21 | DT20 | DT13 | DT12 | DT11 | DT10 | 1 to 31 | 01h |
| 04h | | MO | 0 | 0 | 0 | MO20 | MO13 | MO12 | MO11 | MO10 | 1 to 12 | 01h |
| 05h | | YR | YR23 | YR22 | YR21 | YR20 | YR13 | YR12 | YR11 | YR10 | 0 to 99 | 00h |
| 06h | | DW | 0 | 0 | 0 | 0 | 0 | DW2 | DW1 | DW0 | 0 to 6 | 00h |
| 07h | | CSR | SR | BUSY | OSCF | DSTADJ | ALM | LVDD | LBAT85 | LBAT75 | RTCF | N/A |
| 08h | INT | | ARST | WRTC | IM | FOBATB | FO3 | FO2 | FO1 | FO0 | N/A | 01h |
| 09h | PWR_VDD | | CLRTS | D | D | D | D | V _{DD} Trip2 | V _{DD} Trip1 | V _{DD} Trip0 | N/A | 00h |
| 0Ah | PWR_VBAT | | D | RESEALB | VB85Tp2 | VB85Tp1 | VB85Tp0 | VB75Tp2 | VB75Tp1 | VB75Tp0 | N/A | 00h |
| 0Bh | ITRO | | IDTR01 | IDTR00 | IATRO5 | IATRO4 | IATRO3 | IATRO2 | IATRO1 | IATRO0 | N/A | XXh |
| 0Ch | ALPHA | | D | ALPHA6 | ALPHA5 | ALPHA4 | ALPHA3 | ALPHA2 | ALPHA1 | ALPHA0 | N/A | XXh |
| 0Dh | BETA | | TSE | BTSE | BTSR | BETA4 | BETA3 | BETA2 | BETA1 | BETA0 | N/A | XXh |
| 0Eh | FATR | | 0 | 0 | FFATR5 | FATR4 | FATR3 | FATR2 | FATR1 | FATR0 | N/A | 00h |
| 0Fh | FDTR | | 0 | 0 | 0 | FDTR4 | FDTR3 | FDTR2 | FDTR1 | FDTR0 | N/A | 00h |
| 10h | ALARM | | SCA0 | ESCA0 | SCA022 | SCA021 | SCA020 | SCA013 | SCA012 | SCA011 | SCA010 | 00 to 59 |
| 11h | | MNA0 | EMNA0 | MNA022 | MNA021 | MNA020 | MNA013 | MNA012 | MNA011 | MNA010 | 00 to 59 | 00h |
| 12h | | HRA0 | EHRA0 | D | HRA021 | HRA020 | HRA013 | HRA012 | HRA011 | HRA010 | 0 to 23 | 00h |
| 13h | | DTA0 | EDTA0 | D | DTA021 | DTA020 | DTA013 | DTA012 | DTA011 | DTA010 | 01 to 31 | 00h |
| 14h | | MOA0 | EMOA0 | D | D | MOA020 | MOA013 | MOA012 | MOA011 | MOA010 | 01 to 12 | 00h |
| 15h | | DWA0 | EDWA0 | D | D | D | D | DWA02 | DWA01 | DWA00 | 0 to 6 | 00h |
| 16h | | TSV2B | VSC | 0 | VSC22 | VSC21 | VSC20 | VSC13 | VSC12 | VSC11 | VSC10 | 0 to 59 |
| 17h | VMN | | 0 | VMN22 | VMN21 | VMN20 | VMN13 | VMN12 | VMN11 | VMN10 | 0 to 59 | 00h |
| 18h | VHR | | VMIL | 0 | VHR21 | VHR20 | VHR13 | VHR12 | VHR11 | VHR10 | 0 to 23 | 00h |
| 19h | VDT | | 0 | 0 | VDT21 | VDT20 | VDT13 | VDT12 | VDT11 | VDT10 | 1 to 31 | 00h |
| 1Ah | VMO | | 0 | 0 | 0 | VMO20 | VM013 | VM012 | VM011 | VM010 | 1 to 12 | 00h |

TABLE 1. REGISTER MEMORY MAP (YELLOW SHADING INDICATES READ-ONLY BITS) (Continued)

| ADDR. | SECTION | REG NAME | BIT | | | | | | | | RANGE | DEFAULT |
|-------|---------|----------|-----------|--------------|---------------|---------------|---------------|---------------|---------------|---------------|----------|----------|
| | | | 7 | 6 | 5 | 4 | 3 | 2 | 1 | 0 | | |
| 1Bh | TSB2V | BSC | 0 | BSC22 | BSC21 | BSC20 | BSC13 | BSC12 | BSC11 | BSC10 | 0 to 59 | 00h |
| 1Ch | | BMN | 0 | BMN22 | BMN21 | BMN20 | BMN13 | BMN12 | BMN11 | BMN10 | 0 to 59 | 00h |
| 1Dh | | BHR | BMIL | 0 | BHR21 | BHR20 | BHR13 | BHR12 | BHR11 | BHR10 | 0 to 23 | 00h |
| 1Eh | | BDT | 0 | 0 | BDT21 | BDT20 | BDT13 | BDT12 | BDT11 | BDT10 | 1 to 31 | 00h |
| 1Fh | | BMO | 0 | 0 | 0 | BMO20 | BMO13 | BMO12 | BMO11 | BMO10 | 1 to 12 | 00h |
| 20h | DSTCR | DstMoFd | DSTE | D | D | DstMoFd 20 | DstMoFd 13 | DstMoFd 12 | DstMoFd 11 | DstMoFd 10 | 1 to 12 | 00h |
| 21h | | DstDwFd | D | DstDwFd E | DstWkFd 12 | DstWkFd 11 | DstWkFd 10 | DstDwFd 12 | DstDwFd 11 | DstDwFd 10 | 0 to 6 | 00h |
| 22h | | DstDtFd | D | D | DstDtFd2 1 | DstDtFd2 0 | DstDtFd1 3 | DstDtFd1 2 | DstDtFd1 1 | DstDtFd1 0 | 1 to 31 | 00h |
| 23h | | DstHrFd | D | D | DstHrFd2 1 | DstHrFd2 0 | DstHrFd1 3 | DstHrFd1 2 | DstHrFd1 1 | DstHrFd1 0 | 0 to 23 | 00h |
| 24h | | DstMoRv | D | D | D | DstMoRv 20 | DstMoRv 13 | DstMoR1 2v | DstMoRv 11 | DstMoRv 10 | 01 to 12 | 00h |
| 25h | | DstDwRv | D | DstDwR vE | DstWkrv1 2 | DstWkRv 11 | DstWkRv 10 | DstDwRv 12 | DstDwRv 11 | DstDwRv 10 | 0 to 6 | 00h |
| 26h | | DstDtRv | D | D | DstDtRv2 1 | DstDtRv2 0 | DstDtRv1 3 | DstDtRv1 2 | DstDtRv1 1 | DstDtRv1 0 | 01 to 31 | 00h |
| 27h | | DstHrRv | D | D | DstHrRv2 1 | DstHrRv2 0 | DstHrRv1 3 | DstHrRv1 2 | DstHrRv1 1 | DstHrRv1 0 | 0 to 23 | 00h |
| 28h | | TEMP | TKOL | TK07 | TK06 | TK05 | TK04 | TK03 | TK02 | TK01 | TK00 | 00 to FF |
| 29h | TKOM | | 0 | 0 | 0 | 0 | 0 | 0 | 0 | TK09 | TK08 | 00 to 03 |
| 2Ah | NPPM | NPPML | NPPM 7 | NPPM6 | NPPM5 | NPPM4 | NPPM3 | NPPM2 | NPPM1 | NPPM0 | 00 to FF | 00h |
| 2Bh | | NPPMH | 0 | 0 | 0 | 0 | 0 | NPPM10 | NPPM9 | NPPM8 | 00 to 07 | 00h |
| 2Ch | XTO | XTO | D | D | D | XT4 | XT3 | XT2 | XT1 | XTO | 00 to FF | XXh |
| 2Dh | ALPHAH | ALPHAH | D | ALP_H6 | ALP_H5 | ALP_H4 | ALP_H3 | ALP_H2 | ALP_H1 | ALP_H0 | 00 to 7F | XXh |
| 2Eh | GPM | GPM1 | GPM17 | GPM16 | GPM15 | GPM14 | GPM13 | GPM12 | GPM11 | GPM10 | 00 to FF | 00h |
| 2Fh | | GPM2 | GPM2 7 | GPM26 | GPM25 | GPM24 | GPM23 | GPM22 | GPM21 | GPM20 | 00 to FF | 00h |

Real Time Clock Registers

Addresses [00h to 06h]

RTC REGISTERS (SC, MN, HR, DT, MO, YR, DW)

These registers depict BCD representations of the time. As such, SC (Seconds) and MN (Minutes) range from 0 to 59, HR (Hour) can either be a 12-hour or 24-hour mode, DT (Date) is 1 to 31, MO (Month) is 1 to 12, YR (Year) is 0 to 99, and DW (Day of the Week) is 0 to 6.

The DW register provides a Day of the Week status and uses three bits (DW2 to DW0) to represent the seven days of the week. The counter advances in the cycle 0-1-2-3-4-5-6-0-1-2-...

The assignment of a numerical value to a specific day of the

week is arbitrary and may be decided by the system software designer. The default value is defined as "0".

24-HOUR TIME

If the MIL bit of the HR register is "1", the RTC uses a 24-hour format. If the MIL bit is "0", the RTC uses a 12-hour format and HR21 bit functions as an AM/PM indicator with a "1" representing PM. The clock defaults to 12-hour format time with HR21 = "0".

LEAP YEARS

Leap years add the day February 29 and are defined as those years that are divisible by 4. Years divisible by 100 are not leap years, unless they are also divisible by 400. This means that the year 2000 is a leap year and the year 2100 is not. The ISL12022MA does not correct for the leap year in the year 2100.

Control and Status Registers (CSR)

Addresses [07h to 0Fh]

The Control and Status Registers consist of the Status Register, Interrupt and Alarm Register, Analog Trimming and Digital Trimming Registers.

STATUS REGISTER (SR)

The Status Register is located in the memory map at address 07h. This is a volatile register that provides either control or status of RTC failure (RTCF), Battery Level Monitor (LBAT85, LBAT75), alarm trigger, Daylight Saving Time, crystal oscillator enable and temperature conversion in progress bit.

TABLE 2. STATUS REGISTER (SR)

| ADDR | 7 | 6 | 5 | 4 | 3 | 2 | 1 | 0 |
|------|------|------|-------|-----|------|--------|--------|------|
| 07h | BUSY | OSCF | DSTDJ | ALM | LVDD | LBAT85 | LBAT75 | RTCF |

BUSY BIT (BUSY)

Busy Bit indicates temperature sensing is in progress. In this mode, Alpha, Beta and ITRO registers are disabled and cannot be accessed.

OSCILLATOR FAIL BIT (OSCF)

Oscillator Fail Bit indicates that the oscillator has failed. The oscillator frequency is either zero or very far from the desired 32.768kHz due to failure, PC board contamination or mechanical issues.

DAYLIGHT SAVING TIME CHANGE BIT (DSTADJ)

DSTADJ is the Daylight Saving Time Adjusted Bit. It indicates the daylight saving time forward adjustment has happened. If a DST Forward event happens, DSTADJ will be set to "1". The DSTADJ bit will stay high when DSTFD event happens, and will be reset to "0" when the DST Reverse event happens. It is read-only and cannot be written. Setting time during a DST forward period will not set this bit to "1".

The DSTE bit must be enabled when the RTC time is more than one hour before the DST Forward or DST Reverse event time setting, or the DST event correction will not happen.

DSTADJ is reset to "0" upon power-up. It will reset to "0" when the DSTE bit in Register 15h is set to "0" (DST disabled), but no time adjustment will happen.

ALARM BIT (ALM)

This bit announces if the alarm matches the real time clock. If there is a match, the respective bit is set to "1". This bit can be manually reset to "0" by the user or automatically reset by enabling the auto-reset bit (see ARST bit). A write to this bit in the SR can only set it to "0", not "1". An alarm bit that is set by an alarm occurring during an SR read operation will remain set after the read operation is complete.

LOW V_{DD} INDICATOR BIT (LV_{DD})

This bit indicates when V_{DD} has dropped below the pre-selected trip level (Brownout Mode). The trip points for the brownout levels

are selected by three bits: VDD Trip2, VDD Trip1 and VDD Trip0 in PWR_VDD registers. The LVDD detection is only enabled in VDD mode and the detection happens in real time. The LVDD bit is set whenever the V_{DD} has dropped below the pre-selected trip level, and self clears whenever the V_{DD} is above the pre-selected trip level.

LOW BATTERY INDICATOR 85% BIT (LBAT85)

In Normal Mode (V_{DD}), this bit indicates when the battery level has dropped below the pre-selected trip levels. The trip points are selected by three bits: VB85Tp2, VB85Tp1 and VB85Tp0 in the PWR_VBAT registers. The LBAT85 detection happens automatically once every minute when seconds register reaches 59. The detection can also be manually triggered by setting the TSE bit in BETA register to "1". The LBAT85 bit is set when the V_{BAT} has dropped below the pre-selected trip level, and will self clear when the V_{BAT} is above the pre-selected trip level at the next detection cycle either by manual or automatic trigger.

In Battery Mode (V_{BAT}), this bit indicates the device has entered into battery mode by polling once every 10 minutes. The LBAT85 detection happens automatically once when the minute register reaches x9h or x0h minutes.

Example - When the LBAT85 is Set To "1" In Battery Mode

The minute the register changes to 19h when the device is in battery mode, the LBAT85 is set to "1" the next time the device switches back to Normal Mode.

Example - When the LBAT85 Remains at "0" In Battery Mode

If the device enters into battery mode after the minute register reaches 20h and switches back to Normal Mode before the minute register reaches 29h, then the LBAT85 bit will remain at "0" the next time the device switches back to Normal Mode.

LOW BATTERY INDICATOR 75% BIT (LBAT75)

In Normal Mode (V_{DD}), this bit indicates when the battery level has dropped below the pre-selected trip levels. The trip points are selected by three bits: VB75Tp2, VB75Tp1 and VB75Tp0 in the PWR_VBAT registers. The LBAT75 detection happens automatically once every minute when seconds register reaches 59. The detection can also be manually triggered by setting the TSE bit in BETA register to "1". The LBAT75 bit is set when the V_{BAT} has dropped below the pre-selected trip level, and will self clear when the V_{BAT} is above the pre-selected trip level at the next detection cycle either by manual or automatic trigger.

In Battery Mode (V_{BAT}), this bit indicates the device has entered into battery mode by polling once every 10 minutes. The LBAT85 detection happens automatically once when the minute register reaches x9h or x0h minutes.

Example - When the LBAT75 is Set to "1" in Battery Mode

The minute register changes to 30h when the device is in battery mode, the LBAT75 is set to "1" the next time the device switches back to Normal Mode.

Example - When the LBAT75 Remains at "0" in Battery Mode

If the device enters into battery mode after the minute register reaches 49h and switches back to Normal Mode before minute

register reaches 50h, then the LBAT75 bit will remain at “0” the next time the device switches back to Normal Mode.

REAL TIME CLOCK FAIL BIT (RTCF)

This bit is set to a “1” after a total power failure. This is a read only bit that is set by hardware (ISL12022MA internally) when the device powers up after having lost all power (defined as $V_{DD} = 0V$ and $V_{BAT} = 0V$). The bit is set regardless of whether V_{DD} or V_{BAT} is applied first. The loss of only one of the supplies does not set the RTCF bit to “1”. The first valid write to the RTC section after a complete power failure resets the RTCF bit to “0” (writing one byte is sufficient).

Interrupt Control Register (INT)

TABLE 3. INTERRUPT CONTROL REGISTER (INT)

| ADDR | 7 | 6 | 5 | 4 | 3 | 2 | 1 | 0 |
|------|------|------|----|--------|-----|-----|-----|-----|
| 08h | ARST | WRTC | IM | FOBATB | F03 | F02 | F01 | F00 |

AUTOMATIC RESET BIT (ARST)

This bit enables/disables the automatic reset of the ALM, LVDD, LBAT85, and LBAT75 status bits only. When ARST bit is set to “1”, these status bits are reset to “0” after a valid read of the respective status register (with a valid STOP condition). When the ARST is cleared to “0”, the user must manually reset the ALM, LVDD, LBAT85, and LBAT75 bits.

WRITE RTC ENABLE BIT (WRTC)

The WRTC bit enables or disables write capability into the RTC Timing Registers. The factory default setting of this bit is “0”. Upon initialization or power-up, the WRTC must be set to “1” to enable the RTC. Upon the completion of a valid write (STOP), the RTC starts counting. The RTC internal 1Hz signal is synchronized to the STOP condition during a valid write cycle.

INTERRUPT/ALARM MODE BIT (IM)

This bit enables/disables the interrupt mode of the alarm function. When the IM bit is set to “1”, the alarm will operate in the interrupt mode, where an active low pulse width of 250ms will appear at the \overline{IRQ}/F_{OUT} pin when the RTC is triggered by the alarm, as defined by the alarm registers (0Ch to 11h). When the IM bit is cleared to “0”, the alarm will operate in standard mode, where the \overline{IRQ}/F_{OUT} pin will be set low until the ALM status bit is cleared to “0”.

TABLE 4.

| IM BIT | INTERRUPT/ALARM FREQUENCY |
|--------|--|
| 0 | Single Time Event Set By Alarm |
| 1 | Repetitive/Recurring Time Event Set By Alarm |

FREQUENCY OUTPUT AND INTERRUPT BIT (FOBATB)

This bit enables/disables the \overline{IRQ}/F_{OUT} pin during battery backup mode (i.e. V_{BAT} power source active). When the FOBATB is set to “1”, the \overline{IRQ}/F_{OUT} pin is disabled during battery backup mode. This means that both the frequency output and alarm output functions are disabled. When the FOBATB is cleared to “0”, the \overline{IRQ}/F_{OUT} pin is enabled during battery backup mode.

Note that the open drain \overline{IRQ}/F_{OUT} pin will need a pull-up to the battery voltage to operate in battery backup mode.

FREQUENCY OUT CONTROL BITS (FO <3:0>)

These bits enable/disable the frequency output function and select the output frequency at the \overline{IRQ}/F_{OUT} pin. See Table 5 for frequency selection. Default for the ISL12022MA is $FO<3:0> = 1h$, or 32.768kHz output (F_{OUT} is ON). When the frequency mode is enabled, it will override the alarm mode at the \overline{IRQ}/F_{OUT} pin.

TABLE 5. FREQUENCY SELECTION OF \overline{IRQ}/F_{OUT} PIN

| FREQUENCY F_{OU} | T | UNITS | F03 | F02 | F01 | F00 |
|--------------------|-------|-------|-----|-----|-----|-----|
| 0 | 0 | Hz | 0 | 0 | 0 | 0 |
| 32768 | 32768 | Hz | 0 | 0 | 0 | 1 |
| 4096 | 4096 | Hz | 0 | 0 | 1 | 0 |
| 1024 | 1024 | Hz | 0 | 0 | 1 | 1 |
| 64 | 64 | Hz | 0 | 1 | 0 | 0 |
| 32 | 32 | Hz | 0 | 1 | 0 | 1 |
| 16 | 16 | Hz | 0 | 1 | 1 | 0 |
| 8 | 8 | Hz | 0 | 1 | 1 | 1 |
| 4 | 4 | Hz | 1 | 0 | 0 | 0 |
| 2 | 2 | Hz | 1 | 0 | 0 | 1 |
| 1 | 1 | Hz | 1 | 0 | 1 | 0 |
| 1/2 | 1/2 | Hz | 1 | 0 | 1 | 1 |
| 1/4 | 1/4 | Hz | 1 | 1 | 0 | 0 |
| 1/8 | 1/8 | Hz | 1 | 1 | 0 | 1 |
| 1/16 | 1/16 | Hz | 1 | 1 | 1 | 0 |
| 1/32 | 1/32 | Hz | 1 | 1 | 1 | 1 |

Power Supply Control Register (PWR_VDD)

CLEAR TIME STAMP BIT (CLRTS)

TABLE 6.

| ADDR | 7 | 6 | 5 | 4 | 3 | 2 | 1 | 0 |
|------|-------|---|---|---|---|---------------|---------------|---------------|
| 09h | CLRTS | 0 | 0 | 0 | 0 | $V_{DD}Trip2$ | $V_{DD}Trip1$ | $V_{DD}Trip0$ |

This bit clears Time Stamp V_{DD} to Battery (TSV2B) and Time Stamp Battery to V_{DD} Registers (TSB2V). The default setting is 0 (CLRTS = 0) and the Enabled setting is 1 (CLRTS = 1).

V_{DD} BROWNOUT TRIP VOLTAGE BITS ($V_{DD}TRIP<2:0>$)

These bits set the trip level for the V_{DD} alarm, indicating that V_{DD} has dropped below a preset level. In this event, the LVDD bit in the Status Register is set to “1”. See Table 7.

TABLE 7. V_{DD} TRIP LEVELS

| V _{DD} Tri _p 2 | V _{DD} Tri _p 1 | V _{DD} Tri _p 0 | TRIP VOLTAGE (V) |
|------------------------------------|------------------------------------|------------------------------------|------------------|
| 0 | 0 | 0 | 2.295 |
| 0 | 0 | 1 | 2.550 |
| 0 | 1 | 0 | 2.805 |
| 0 | 1 | 1 | 3.060 |
| 1 | 0 | 0 | 4.250 |
| 1 | 0 | 1 | 4.675 |

Battery Voltage Trip Voltage Register (PWR_VBAT)

This register controls the trip points for the two V_{BAT} alarms, with levels set to approximately 85% and 75% of the nominal battery level.

TABLE 8.

| ADDR | 7 | 6 | 5 | 4 | 3 | 2 | 1 | 0 |
|------|---|---------|---------|---------|---------|---------|---------|---------|
| 0Ah | D | RESEALB | VB85Tp2 | VB85Tp1 | VB85Tp0 | VB75Tp2 | VB75Tp1 | VB75Tp0 |

RESEAL BIT (RESEALB)

This is the Reseal bit for actively disconnecting the V_{BAT} pin from the internal circuitry. Setting this bit allows the device to disconnect the battery and eliminate standby current drain while the device is unused. Once V_{DD} is powered up, this bit is reset and the V_{BAT} pin is then connected to the internal circuitry.

The application for this bit involves placing the chip on a board with a battery and testing the board. Once the board is tested and ready to ship, it is desirable to disconnect the battery to keep it fresh until the board or unit is placed into final use. Setting RESEALB = "1" initiates the battery disconnect, and after V_{DD} power is cycled down and up again, the RESEAL bit is cleared to "0".

BATTERY LEVEL MONITOR TRIP BITS (VB85TP <2:0>)

Three bits select the first alarm (85% of Nominal V_{BAT}) level for the battery voltage monitor. There are total of 7 levels that could be selected for the first alarm. Any of the of levels could be selected as the first alarm with no reference as to nominal Battery voltage level. See Table 9.

TABLE 9. VB85T ALARM LEVEL

| VB85Tp2 | VB85Tp1 | VB85Tp0 | BATTERY ALARM TRIP LEVEL (V) |
|---------|---------|---------|------------------------------|
| 0 | 0 | 0 | 2.125 |
| 0 | 0 | 1 | 2.295 |
| 0 | 1 | 0 | 2.550 |
| 0 | 1 | 1 | 2.805 |
| 1 | 0 | 0 | 3.060 |
| 1 | 0 | 1 | 4.250 |
| 1 | 1 | 0 | 4.675 |

BATTERY LEVEL MONITOR TRIP BITS (VB75TP <2:0>)

Three bits select the second alarm (75% of Nominal V_{BAT}) level for the battery voltage monitor. There are total of 7 levels that could be selected for the second alarm. Any of the of levels could be selected as the second alarm with no reference as to nominal Battery voltage level. See Table 10.

TABLE 10. BATTERY LEVEL MONITOR TRIP BITS (VB75TP <2:0>)

| VB75Tp2 | VB75Tp1 | VB75Tp0 | BATTERY ALARM TRIP LEVEL (V) |
|---------|---------|---------|------------------------------|
| 0 | 0 | 0 | 1.875 |
| 0 | 0 | 1 | 2.025 |
| 0 | 1 | 0 | 2.250 |
| 0 | 1 | 1 | 2.475 |
| 1 | 0 | 0 | 2.700 |
| 1 | 0 | 1 | 3.750 |
| 1 | 1 | 0 | 4.125 |

Initial AT and DT Setting Register (ITRO)

These bits are used to trim the initial error (at room temperature) of the crystal. Both Digital Trimming (DT) and Analog Trimming (AT) methods are available. The digital trimming uses clock pulse skipping and insertion for frequency adjustment. Analog trimming uses load capacitance adjustment to pull the oscillator frequency. A range of +62.5ppm to -61.5ppm is possible with combined digital and analog trimming.

Initial values for the ITRO register are preset internally and recalled to RAM registers on power-up. **These values are pre-set in device production and are READ-ONLY. They cannot be overwritten by the user. If an application requires adjustment of the IATR bits outside the preset values, the user should contact Intersil.**

AGING AND INITIAL TRIM DIGITAL TRIMMING BITS (IDTRO<1:0>)

These bits allow ±30.5ppm initial trimming range for the crystal frequency. This is meant to be a coarse adjustment if the range needed is outside that of the IATR control. See Table 11. The IDTRO register should only be changed while the TSE (Temp Sense Enable) bit is "0".

The ISL12022MA has a preset Initial Digital Trimming value corresponding to the crystal in the module. **This value is recalled on initial power-up and is READ-ONLY. It cannot be overwritten by the user.**

TABLE 11. IDTRO TRIMMING RANGE

| IDTRO1 | IDTRO0 | TRIMMING RANGE |
|--------|--------|------------------|
| 0 | 0 | Default/Disabled |
| 0 | 1 | +30.5ppm |
| 1 | 0 | 0ppm |
| 1 | 1 | -30.5ppm |

AGING AND INITIAL ANALOG TRIMMING BITS (IATRO<5:0>)

The Initial Analog Trimming Register allows +32ppm to -31ppm adjustment in 1ppm/bit increments. This enables fine frequency adjustment for trimming initial crystal accuracy error or to correct for aging drift.

The ISL12022MA has a preset Initial Analog Trimming value corresponding to the crystal in the module. **This value is recalled on initial power-up, is preset in device production and is READ-ONLY. It cannot be overwritten by the user.**

TABLE 12. INITIAL AT AND DT SETTING REGISTER

| ADDR | 7 | 6 | 5 | 4 | 3 | 2 | 1 | 0 |
|------|--------|--------|------------|------------|-------------|------------|------------|------------|
| 0Bh | IDTRO1 | IDTRO0 | IATRO 5 | IATRO 4 | IATRO3 2 | IATRO 2 | IATRO 1 | IATRO 0 |

TABLE 13. IATRO TRIMMING RANGE

| IATRO5 | IATRO4 | IATRO3 | IATRO2 | IATRO1 | IATRO0 | TRIMMING RANGE |
|--------|--------|--------|--------|--------|--------|----------------|
| 0 | 0 | 0 | 0 | 0 | 0 | +32 |
| 0 | 0 | 0 | 0 | 0 | 1 | +31 |
| 0 | 0 | 0 | 0 | 1 | 0 | +30 |
| 0 | 0 | 0 | 0 | 1 | 1 | +29 |
| 0 | 0 | 0 | 1 | 0 | 0 | +28 |
| 0 | 0 | 0 | 1 | 0 | 1 | +27 |
| 0 | 0 | 0 | 1 | 1 | 0 | +26 |
| 0 | 0 | 0 | 1 | 1 | 1 | +25 |
| 0 | 0 | 1 | 0 | 0 | 0 | +24 |
| 0 | 0 | 1 | 0 | 0 | 1 | +23 |
| 0 | 0 | 1 | 0 | 1 | 0 | +22 |
| 0 | 0 | 1 | 0 | 1 | 1 | +21 |
| 0 | 0 | 1 | 1 | 0 | 0 | +20 |
| 0 | 0 | 1 | 1 | 0 | 1 | +19 |
| 0 | 0 | 1 | 1 | 1 | 0 | +18 |
| 0 | 0 | 1 | 1 | 1 | 1 | +17 |
| 0 | 1 | 0 | 0 | 0 | 0 | +16 |
| 0 | 1 | 0 | 0 | 0 | 1 | +15 |
| 0 | 1 | 0 | 0 | 1 | 0 | +14 |
| 0 | 1 | 0 | 0 | 1 | 1 | +13 |
| 0 | 1 | 0 | 1 | 0 | 0 | +12 |
| 0 | 1 | 0 | 1 | 0 | 1 | +11 |
| 0 | 1 | 0 | 1 | 1 | 0 | +10 |
| 0 | 1 | 0 | 1 | 1 | 1 | +9 |
| 0 | 1 | 1 | 0 | 0 | 0 | +8 |
| 0 | 1 | 1 | 0 | 0 | 1 | +7 |
| 0 | 1 | 1 | 0 | 1 | 0 | +6 |
| 0 | 1 | 1 | 0 | 1 | 1 | +5 |
| 0 | 1 | 1 | 1 | 0 | 0 | +4 |
| 0 | 1 | 1 | 1 | 0 | 1 | +3 |
| 0 | 1 | 1 | 1 | 1 | 0 | +2 |
| 0 | 1 | 1 | 1 | 1 | 1 | +1 |
| 1 | 0 | 0 | 0 | 0 | 0 | 0 |
| 1 | 0 | 0 | 0 | 0 | 1 | -1 |
| 1 | 0 | 0 | 0 | 1 | 0 | -2 |
| 1 | 0 | 0 | 0 | 1 | 1 | -3 |
| 1 | 0 | 0 | 1 | 0 | 0 | -4 |

TABLE 13. IATRO TRIMMING RANGE (Continued)

| IATRO5 | IATRO4 | IATRO3 | IATRO2 | IATRO1 | IATRO0 | TRIMMING RANGE |
|--------|--------|--------|--------|--------|--------|----------------|
| 1 | 0 | 0 | 1 | 0 | 1 | -5 |
| 1 | 0 | 0 | 1 | 1 | 0 | -6 |
| 1 | 0 | 0 | 1 | 1 | 1 | -7 |
| 1 | 0 | 1 | 0 | 0 | 0 | -8 |
| 1 | 0 | 1 | 0 | 0 | 1 | -9 |
| 1 | 0 | 1 | 0 | 1 | 0 | -10 |
| 1 | 0 | 1 | 0 | 1 | 1 | -11 |
| 1 | 0 | 1 | 1 | 0 | 0 | -12 |
| 1 | 0 | 1 | 1 | 0 | 1 | -13 |
| 1 | 0 | 1 | 1 | 1 | 0 | -14 |
| 1 | 0 | 1 | 1 | 1 | 1 | -15 |
| 1 | 1 | 0 | 0 | 0 | 0 | -16 |
| 1 | 1 | 0 | 0 | 0 | 1 | -17 |
| 1 | 1 | 0 | 0 | 1 | 0 | -18 |
| 1 | 1 | 0 | 0 | 1 | 1 | -19 |
| 1 | 1 | 0 | 1 | 0 | 0 | -20 |
| 1 | 1 | 0 | 1 | 0 | 1 | -21 |
| 1 | 1 | 0 | 1 | 1 | 0 | -22 |
| 1 | 1 | 0 | 1 | 1 | 1 | -23 |
| 1 | 1 | 1 | 0 | 0 | 0 | -24 |
| 1 | 1 | 1 | 0 | 0 | 1 | -25 |
| 1 | 1 | 1 | 0 | 1 | 0 | -26 |
| 1 | 1 | 1 | 0 | 1 | 1 | -27 |
| 1 | 1 | 1 | 1 | 0 | 0 | -28 |
| 1 | 1 | 1 | 1 | 0 | 1 | -29 |
| 1 | 1 | 1 | 1 | 1 | 0 | -30 |
| 1 | 1 | 1 | 1 | 1 | 1 | -31 |

ALPHA Register (ALPHA)

TABLE 14. ALPHA REGISTER

| ADDR | 7 | 6 | 5 | 4 | 3 | 2 | 1 | 0 |
|------|---|------------|------------|------------|------------|------------|------------|------------|
| 0Ch | D | ALPHA 6 | ALPHA 5 | ALPHA 4 | ALPHA 3 | ALPHA 2 | ALPHA 1 | ALPHA 0 |

The ALPHA variable is 8 bits and is defined as the temperature coefficient of crystal from -40°C to T0, or the ALPHA Cold (there is an Alpha Hot register that must be programmed as well). It is normally given in units of ppm/°C², with a typical value of -0.034. The ISL12022MA device uses a scaled version of the absolute value of this coefficient in order to get an integer value. Therefore, ALPHA <7:0> is defined as the (|Actual ALPHA Value| x 2048) and converted to binary. For example, a crystal with Alpha of -0.034ppm/°C² is first scaled (|2048*(-0.034)| = 70d) and then converted to a binary number of 01000110b.

The practical range of Actual ALPHA values is from -0.020 to -0.060.

The ISL12022MA has a preset ALPHA value corresponding to the crystal in the module. **This value is recalled on initial power-up and is preset in device production. It is READ ONLY and cannot be overwritten by the user.**

BETA Register (BETA)

TABLE 15.

| ADDR | 7 | 6 | 5 | 4 | 3 | 2 | 1 | 0 |
|------|-----|------|------|-------|-------|-------|-------|-------|
| 0Dh | TSE | BTSE | BTSR | BETA4 | BETA3 | BETA2 | BETA1 | BETA0 |

The BETA register has special Write properties. Only the TSE, BTSE and BTSR bits can be written; the BETA bits are READ-ONLY. A write to both bytes in this register will only change the 3 MSB's (TSE, BTSE, BTSR), and the 5 LSB's will remain the same as set at the factory.

TEMPERATURE SENSOR ENABLED BIT (TSE)

This bit enables the Temperature Sensing operation, including the temperature sensor, A/D converter and FATR/FDTR register adjustment. The default mode after power-up is disabled: (TSE = 0). To enable the operation, TSE should be set to 1. (TSE = 1). When temp sense is disabled, the initial values for IATR and IDTR registers are used for frequency control.

When TSE is set to 1, the temperature conversion cycle begins and will end when two temperature conversions are completed. The average of the two conversions is in the TEMP registers.

TEMP SENSOR CONVERSION IN BATTERY MODE BIT (BTSE)

This bit enables the Temperature Sensing and Correction in battery mode. BTSE = 0 (default) no conversion, Temp Sensing or Compensation in battery mode. BTSE = 1 indicates Temp Sensing and Compensation enabled in battery mode. The BTSE is disabled when the battery voltage is lower than 2.7V. No temperature compensation will take place with VBAT < 2.7V.

FREQUENCY OF TEMPERATURE SENSING AND CORRECTION BIT (BTSR)

This bit controls the frequency of Temp Sensing and Correction. BTSR = 0 default mode is every 10 minutes, BTSR = 1 is every 1.0 minute. Note that BTSE has to be enabled in both cases. See Table 16.

TABLE 16. FREQUENCY OF TEMPERATURE SENSING AND CORRECTION BIT

| BTSE | BTSR | TC PERIOD IN BATTERY MODE |
|------|------|---------------------------|
| 0 | 0 | Off |
| 0 | 1 | Off |
| 1 | 0 | 10 Minutes |
| 1 | 1 | 1 Minute |

The temperature measurement conversion time is the same for battery mode as for V_{DD} mode, approximately 22ms. The battery mode current will increase during this conversion time to typically 68μA. The average increase in battery current is much lower than this due to the small duty cycle of the ON-time versus OFF-time for the conversion.

To figure the average increase in battery current, we take the change in current times the duty cycle. For the 1 minute

temperature period, the average current is expressed in Equation 1:

$$\Delta I_{BAT} = \frac{0.022s}{60s} \times 68\mu A = 250nA \quad (\text{EQ. 1})$$

For the 10 minute temperature period the average current is expressed in Equation 2:

$$\Delta I_{BAT} = \frac{0.022s}{600s} \times 68\mu A = 25nA \quad (\text{EQ. 2})$$

If the application has a stable temperature environment that doesn't change quickly, the 10 minute option will work well and the backup battery lifetime impact is minimized. If quick temperature variations are expected (multiple cycles of more than 10° within an hour), then the 1 minute option should be considered and the slightly higher battery current figured into overall battery life.

GAIN FACTOR OF AT BIT (BETA<4:0>)

Beta is specified to take care of the C_m variations of the crystal. Most crystals specify C_m around 2.2fF. For example, if C_m > 2.2fF, the actual AT steps may reduce from 1ppm/step to approximately 0.80ppm/step. Beta is then used to adjust for this variation and restore the step size to 1ppm/step.

BETA values are limited in the range from 01000 to 11111, as shown in Table 17. To use Table 17, the device is tested at two AT settings as follows:

BETA VALUES = (AT(max) - AT (min))/63, where:

AT(max) = F_{OUT} in ppm (at AT = 00H) and

AT(min) = F_{OUT} in ppm (at AT = 3FH).

The BETA VALUES result is indexed in the right hand column and the resulting Beta factor (for the register) is in the same row in the left column.

The ISL12022MA has a preset BETA value corresponding to the crystal in the module. **This value is recalled on initial power-up and is preset in device production. It is READ ONLY and cannot be overwritten by the user.**

TABLE 17. BETA VALUES

| BETA<4:0> | AT STEP ADJUSTMENT |
|-----------|--------------------|
| 01000 | 0.5000 |
| 00111 | 0.5625 |
| 00110 | 0.6250 |
| 00101 | 0.6875 |
| 00100 | 0.7500 |
| 00011 | 0.8125 |
| 00010 | 0.8750 |
| 00001 | 0.9375 |
| 00000 | 1.0000 |
| 10000 | 1.0625 |
| 10001 | 1.1250 |
| 10010 | 1.1875 |

TABLE 17. BETA VALUES (Continued)

| BETA<4:0> | AT STEP ADJUSTMENT |
|-----------|--------------------|
| 10011 | 1.2500 |
| 10100 | 1.3125 |
| 10101 | 1.3750 |
| 10110 | 1.4375 |
| 10111 | 1.5000 |
| 11000 | 1.5625 |
| 11001 | 1.6250 |
| 11010 | 1.6875 |
| 11011 | 1.7500 |
| 11100 | 1.8125 |
| 11101 | 1.8750 |
| 11110 | 1.9375 |
| 11111 | 2.0000 |

Final Analog Trimming Register (FATR)

This register shows the final setting of AT after temperature correction. It is read-only; the user cannot overwrite a value to this register. This value is accessible as a means of monitoring the temperature compensation function. See Table 18 and Table 19 (for values).

TABLE 18. FINAL ANALOG TRIMMING REGISTER

| ADDR | 7 | 6 | 5 | 4 | 3 | 2 | 1 | 0 |
|------|---|---|-------|-------|-------|-------|-------|-------|
| 0Eh | 0 | 0 | FATR5 | FATR4 | FATR3 | FATR2 | FATR1 | FATRO |

Final Digital Trimming Register (FDTR)

This Register shows the final setting of DT after temperature correction. It is read-only; the user cannot overwrite a value to this register. The value is accessible as a means of monitoring the temperature compensation function. The corresponding clock adjustment values are shown in Table 20. The FDTR setting has both positive and negative settings to adjust for any offset in the crystal..

TABLE 19. FINAL DIGITAL TRIMMING REGISTER

| ADDR | 7 | 6 | 5 | 4 | 3 | 2 | 1 | 0 |
|------|---|---|---|-------|-------|-------|-------|-------|
| 0Fh | 0 | 0 | 0 | FDTR4 | FDTR3 | FDTR2 | FDTR1 | FDTR0 |

TABLE 20. CLOCK ADJUSTMENT VALUES FOR FINAL DIGITAL TRIMMING REGISTER

| FDTR<4:0> | DECIMAL | ppm ADJUSTMENT |
|-----------|---------|----------------|
| 00000 | 0 | 0 |
| 00001 | 1 | 30.5 |
| 00010 | 2 | 61 |
| 00011 | 3 | 91.5 |
| 00100 | 4 | 122 |
| 00101 | 5 | 152.5 |

TABLE 20. CLOCK ADJUSTMENT VALUES FOR FINAL DIGITAL TRIMMING REGISTER (Continued)

| FDTR<4:0> | DECIMAL | ppm ADJUSTMENT |
|-----------|---------|----------------|
| 00110 | 6 | 183 |
| 00111 | 7 | 213.5 |
| 01000 | 8 | 244 |
| 01001 | 9 | 274.5 |
| 01010 | 10 | 305 |
| 10000 | 0 | 0 |
| 10001 | -1 | -30.5 |
| 10010 | -2 | -61 |
| 10011 | -3 | -91.5 |
| 10100 | -4 | -122 |
| 10101 | -5 | -152.5 |
| 10110 | -6 | -183 |
| 10111 | -7 | -213.5 |
| 11000 | -8 | -244 |
| 11001 | -9 | -274.5 |
| 11010 | -10 | -305 |

ALARM Registers (10h to 15h)

The alarm register bytes are set up identical to the RTC register bytes, except that the MSB of each byte functions as an enable bit (enable = "1"). These enable bits specify which alarm registers (seconds, minutes, etc.) are used to make the comparison. Note that there is no alarm byte for year.

The alarm function works as a comparison between the alarm registers and the RTC registers. As the RTC advances, the alarm will be triggered once a match occurs between the alarm registers and the RTC registers. Any one alarm register, multiple registers, or all registers can be enabled for a match.

There are two alarm operation modes: Single Event and periodic Interrupt Mode:

- **Single Event Mode** is enabled by setting the Bit 7 on any of the Alarm registers (ESCA0... EDWA0) to "1", the IM bit to "0", and disabling the frequency output. This mode permits a one-time match between the Alarm registers and the RTC registers. Once this match occurs, the ALM bit is set to "1" and the \overline{IRQ}/F_{OUT} output will be pulled low and will remain low until the ALM bit is reset. This can be done manually or by using the auto-reset feature.
- **Interrupt Mode** is enabled by setting the Bit 7 on any of the Alarm registers (ESCA0... EDWA0) to "1", the IM bit to "1", and disabling the frequency output. The \overline{IRQ}/F_{OUT} output will now be pulsed each time an alarm occurs. This means that once the interrupt mode alarm is set, it will continue to alarm for each occurring match of the alarm and present time. This mode is convenient for hourly or daily hardware interrupts in microcontroller applications such as security cameras or utility meter reading.

To clear a single event alarm, the ALM bit in the status register must be set to “0” with a write. Note that if the ARST bit is set to 1 (address 08h, Bit 7), the ALM bit will automatically be cleared when the status register is read.

Following are examples of both Single Event and periodic Interrupt Mode alarms.

Example 1

- Alarm set with single interrupt (IM = “0”)
- A single alarm will occur on January 1 at 11:30 a.m.
- Set Alarm registers as follows:

| ALARM REGISTER | BIT | | | | | | | | HEX | DESCRIPTION |
|----------------|-----|---|---|---|---|---|---|---|-----|----------------------------|
| | 7 | 6 | 5 | 4 | 3 | 2 | 1 | 0 | | |
| SCA0 | 0 | 0 | 0 | 0 | 0 | 0 | 0 | 0 | 00h | Seconds disabled |
| MNA0 | 1 | 0 | 1 | 1 | 0 | 0 | 0 | 0 | 80h | Minutes set to 30, enabled |
| HRA0 | 1 | 0 | 0 | 1 | 0 | 0 | 0 | 1 | 91h | Hours set to 11, enabled |
| DTA0 | 1 | 0 | 0 | 0 | 0 | 0 | 0 | 1 | 81h | Date set to 1, enabled |
| MOA0 | 1 | 0 | 0 | 0 | 0 | 0 | 0 | 1 | 81h | Month set to 1, enabled |
| DWA0 | 0 | 0 | 0 | 0 | 0 | 0 | 0 | 0 | 00h | Day of week disabled |

After these registers are set, an alarm will be generated when the RTC advances to exactly 11:30 a.m. on January 1 (after seconds changes from 59 to 00) by setting the ALM bit in the status register to “1” and also bringing the $\overline{\text{IRQ}}/\text{F}_{\text{OUT}}$ output low.

Example 2

- Pulsed interrupt once per minute (IM = “1”)
- Interrupts at one minute intervals when the seconds register is at 30 seconds.
- Set Alarm registers as follows:

TABLE 21.

| ALARM REGISTER | BIT | | | | | | | | HEX | DESCRIPTION |
|----------------|-----|---|---|---|---|---|---|---|-----|----------------------------|
| | 7 | 6 | 5 | 4 | 3 | 2 | 1 | 0 | | |
| SCA0 | 1 | 0 | 1 | 1 | 0 | 0 | 0 | 0 | 80h | Seconds set to 30, enabled |
| MNA0 | 0 | 0 | 0 | 0 | 0 | 0 | 0 | 0 | 00h | Minutes disabled |
| HRA0 | 0 | 0 | 0 | 0 | 0 | 0 | 0 | 0 | 00h | Hours disabled |
| DTA0 | 0 | 0 | 0 | 0 | 0 | 0 | 0 | 0 | 00h | Date disabled |
| MOA0 | 0 | 0 | 0 | 0 | 0 | 0 | 0 | 0 | 00h | Month disabled |
| DWA0 | 0 | 0 | 0 | 0 | 0 | 0 | 0 | 0 | 00h | Day of week disabled |

Once the registers are set, the following waveform will be seen at $\overline{\text{IRQ}}/\text{F}_{\text{OUT}}$:



FIGURE 15. $\overline{\text{IRQ}}/\text{F}_{\text{OUT}}$ WAVEFORM

Note that the status register ALM bit will be set each time the alarm is triggered, but does not need to be read or cleared.

Time Stamp V_{DD} to Battery Registers (TSV2B)

The TSV2B Register bytes are identical to the RTC register bytes, except they do not extend beyond the Month. The Time Stamp captures the FIRST V_{DD} to Battery Voltage transition time, and will not update upon subsequent events until cleared (only the first event is captured before clearing). Set CLRTS = 1 to clear this register (Add 09h, PWR_ V_{DD} register).

Note that the time stamp registers are cleared to all “0”, including the month and day, which is different from the RTC and alarm registers (those registers default to 01h). This is the indicator that no time stamping has occurred since the last clear or initial power-up. Once a time stamp occurs, there will be a non-zero time stamp.

Time Stamp Battery to V_{DD} Registers (TSB2V)

The Time Stamp Battery to V_{DD} Register bytes are identical to the RTC register bytes, except they do not extend beyond Month. The Time Stamp captures the LAST transition of V_{BAT} to V_{DD} (only the last event of a series of power-up/power-down events is retained). Set CLRTS = 1 to clear this register (Add 09h, PWR_ V_{DD} register).

TABLE 22. DST FORWARD REGISTERS

| ADDRESS | FUNCTION | 7 | 6 | 5 | 4 | 3 | 2 | 1 | 0 |
|---------|---------------|------|-------|--------|--------|--------|--------|--------|--------|
| 20h | Month Forward | DSTE | 0 | 0 | MoFd20 | MoFd13 | MoFd12 | MoFd11 | MoFd10 |
| 21h | Day Forward | 0 | DwFdE | WkFd12 | WkFd11 | WkFd10 | DwFd12 | DwFd11 | DwFd10 |
| 22h | Date Forward | 0 | 0 | DtFd21 | DtFd20 | DtFd13 | DtFd12 | DtFd11 | DtFd10 |
| 23h | Hour Forward | 0 | 0 | HrFd21 | HrFd20 | HrFd13 | HrFd12 | HrFd11 | HrFd10 |

TABLE 23. DST REVERSE REGISTERS

| ADDRESS | NAME | 7 | 6 | 5 | 4 | 3 | 2 | 1 | 0 |
|---------|---------------|---|-------|--------|--------|--------|--------|--------|--------|
| 24h | Month Reverse | 0 | 0 | 0 | MoRv20 | MoRv13 | MoRv12 | MoRv11 | MoRv10 |
| 25h | Day Reverse | 0 | DwRvE | WkRv12 | WkRv11 | WkRv10 | DwRv12 | DwRv11 | DwRv10 |
| 26h | Date Reverse | 0 | 0 | DtRv21 | DtRv20 | DtRv13 | DtRv12 | DtRv11 | DtRv10 |
| 27h | Hour Reverse | 0 | 0 | HrRv21 | HrRv20 | HrRv13 | HrRv12 | HrRv11 | HrRv10 |

DST Control Registers (DSTCR)

8 bytes of control registers have been assigned for the Daylight Savings Time (DST) functions. DST beginning (set Forward) time is controlled by the registers DstMoFd, DstDwFd, DstDtFd, and DstHrFd. DST ending time (set Backward or Reverse) is controlled by DstMoRv, DstDwRv, DstDtRv and DstHrRv.

Tables 22 and 23 describe the structure and functions of the DSTCR.

DST FORWARD REGISTERS (20H TO 23H)

DST forward is controlled by the following DST Registers:

DST Enable

DSTE is the DST Enabling Bit located in Bit 7 of register 20h (DstMoFdx). Set DSTE = 1 will enable the DSTE function. Upon powering up for the first time (including battery), the DSTE bit defaults to "0". When DSTE is set to "1" the RTC time must be at least one hour before the scheduled DST time change for the correction to take place. When DSTE is set to "0", the DSTADJ bit in the Status Register automatically resets to "0".

DST Month Forward

DstMoFd sets the Month that DST starts. The format is the same as for the RTC register month, from 1 to 12. The default value for the DST begin month is 00h.

DST Day/Week Forward

DstDwFd contains both the Day of the Week and the Week of the Month data for DST Forward control. DST can be controlled either by actual date or by setting both the Week of the month and the Day of the Week. DstDwFdE sets the priority of the Day/Week over the Date. For DstDwFdE = 1, Day/Week is the priority. You must have the correct Day of Week entered in the RTC registers for the Day/Week correction to work properly.

- Bits 0, 1, 2 contain the Day of the week information which sets the Day of the Week that DST starts. Note that Day of the week counts from 0 to 6, like the RTC registers. The default for the DST Forward Day of the Week is 00h (normally Sunday).
- Bits 3, 4, 5 contain the Week of the Month information that sets the week that DST starts. The range is from 1 to 5, and Week 7 is used to indicate the last week of the month. The default for the DST Forward Week of the Month is 00h.

DST Date Forward

DstDtFd controls which Date DST begins. The format for the Date is the same as for the RTC register, from 1 to 31. The default value for DST forward date is 00h. DstDtFd is only effective if DstDwFdE = 0.

DST Hour Forward

DstHrFd controls the hour that DST begins. The RTC hour and DstHrFd registers have the same formats except there is no Military bit for DST hour. The user sets the DST hour with the same format as used for the RTC hour (AM/PM or MIL) but without the MIL bit, and the DST will still advance as if the MIL bit were there. The default value for DST hour Forward is 00h.

DST REVERSE REGISTERS (24H TO 27H)

DST end (reverse) is controlled by the following DST Registers:

DST Month Reverse

DstMoRv sets the Month that DST ends. The format is the same as for the RTC register month, from 1 to 12. The default value for the DST end month is October (10h).

DST Day/Week Reverse

DstDwRv contains both the Day of the Week and the Week of the Month data for DST Reverse control. DST can be controlled either by actual date or by setting both the Week of the month and the Day of the Week. DstDwRvE sets the priority of the Day/Week over the Date. For DstDwRvE = 1, Day/Week is the priority. You must have the correct Day of Week entered in the RTC registers for the Day/Week correction to work properly.

- Bits 0, 1, 2 contain the Day of the week information which sets the Day of the Week that DST ends. Note that Day of the week counts from 0 to 6, like the RTC registers. The default for the DST Reverse Day of the Week is 00h (normally Sunday).
- Bits 3, 4, 5 contain the Week of the Month information that sets the week that DST ends. The range is from 1 to 5, and Week 7 is used to indicate the last week of the month. The default for the DST Reverse Week of the Month is 00h.

DST Date Reverse

DstDtRv controls which Date DST ends. The format for the Date is the same as for the RTC register, from 1 to 31. The default value for DST Date Reverse is 00h. The DstDtRv is only effective if the DwRvE = 0.

DST Hour Reverse

DstHrRv controls the hour that DST ends. The RTC hour and DstHrFd registers have the same formats except there is no Military bit for DST hour. The user sets the DST hour with the same format as used for the RTC hour (AM/PM or MIL) but without the MIL bit, and the DST will still advance as if the MIL bit were there. The default value for DST hour Reverse is 00h.

TEMP Registers (TEMP)

The temperature sensor produces an analog voltage output which is input to an A/D converter and produces a 10-bit

temperature value in degrees Kelvin. TK07:00 are the LSBs of the code, and TK09:08 are the MSBs of the code. The temperature result is actually the average of two successive temperature measurements to produce greater resolution for the temperature control. The output code can be converted to °C by first converting from binary to decimal, dividing by 2, and then subtracting 273d.

$$\text{Temperature in } ^\circ\text{C} = [(\text{TK} <9:0>)/2] - 273 \quad (\text{EQ. 3})$$

The practical range for the temp sensor register output is from 446d to 726d, or -50°C to +90°C. The temperature compensation function is only guaranteed over -40°C to +85°C. The TSE bit must be set to "1" to enable temperature sensing.

TABLE 24.

| TEMP | 7 | 6 | 5 | 4 | 3 | 2 | 1 | 0 |
|------|------|------|------|------|------|------|------|------|
| TK0L | TK07 | TK06 | TK05 | TK04 | TK03 | TK02 | TK01 | TK00 |
| TK0M | 0 | 0 | 0 | 0 | 0 | 0 | TK09 | TK08 |

NPPM Registers (NPPM)

The NPPM value is exactly 2x the net correction, in ppm, required to bring the oscillator to 0ppm error. The value is the combination of oscillator Initial Correction (IPPM) and crystal temperature dependent correction (CPPM).

IPPM is used to compensate the oscillator offset at room temperature and is controlled by the ITRO and BETA registers. This value is normally set during room temperature testing.

The CPPM compensates the oscillator frequency fluctuation over-temperature. It is determined by the temperature (T), crystal curvature parameter (ALPHA), and crystal turnover temperature (XT0). T is the result of the temp sensor/ADC conversion, whose decimal result is 2x the actual temperature in Kelvin. ALPHA is from either the ALPHA (cold) or ALPHAH (hot) register depending on T, and XT0 is from the XT0 register.

NPPM is governed by Equations 4 and 5:

$$\begin{aligned} \text{NPPM} &= \text{IPPM}(\text{ITRO}, \text{BETA}) + \text{ALPHA} \times (\text{T}-\text{T}_0)^2 \\ \text{NPPM} &= \text{IPPM} + \text{CPPM} \\ \text{NPPM} &= \text{IPPM} + \frac{\text{ALPHA} \cdot (\text{T} - \text{T}_0)^2}{4096} \end{aligned} \quad (\text{EQ. 4})$$

where

$$\text{ALPHA} = \alpha \cdot 2048$$

T is the reading of the ADC, result is 2 x temperature in degrees Kelvin.

$$\text{T} = (2 \cdot 298) + \text{XT0} \quad (\text{EQ. 5})$$

$$\text{or } \text{T} = 596 + \text{XT0}$$

Note that NPPM can also be predicted from the FATR and FDTR register by the relationship (all values in decimal):

$$\text{NPPM} = 2 \cdot (\text{BETA} \cdot \text{FATR} - (\text{FDTR} - 16))$$

XT0 Registers (XT0)

TURNOVER TEMPERATURE (XT<3:0>)

The apex of the Alpha curve occurs at a point called the turnover temperature, or XT0. Crystals normally have a turnover temperature between +20°C and +30°C, with most occurring near +25°C.

TABLE 25. TURNOVER TEMPERATURE

| ADDR | 7 | 6 | 5 | 4 | 3 | 2 | 1 | 0 |
|------|---|---|---|-----|-----|-----|-----|-----|
| 2Ch | 0 | 0 | 0 | XT4 | XT3 | XT2 | XT1 | XT0 |

The ISL12022MA has a preset Turnover temperature corresponding to the crystal in the module. **This value is recalled on initial power-up and is preset in device production. It is READ ONLY and cannot be overwritten by the user.**

Table 26 shows the values available, with a range from +17.5°C to +32.5°C in +0.5°C increments. The default value is 00000b or +25°C.

TABLE 26. XT0 VALUES

| XT<4:0> | TURNOVER TEMPERATURE |
|---------|----------------------|
| 01111 | 32.5 |
| 01110 | 32.0 |
| 01101 | 31.5 |
| 01100 | 31 |
| 01011 | 30.5 |
| 01010 | 30 |
| 01001 | 29.5 |
| 01000 | 29.0 |
| 00111 | 28.5 |
| 00110 | 28.0 |
| 00101 | 27.5 |
| 00100 | 27.0 |
| 00011 | 26.5 |
| 00010 | 26.0 |
| 00001 | 25.5 |
| 00000 | 25.0 |
| 10000 | 25.0 |
| 10001 | 24.5 |
| 10010 | 24.0 |
| 10011 | 23.5 |
| 10100 | 23.0 |
| 10101 | 22.5 |
| 10110 | 22.0 |
| 10111 | 21.5 |
| 11000 | 21.0 |

TABLE 26. XT0 VALUES (Continued)

| XT<4:0> | TURNOVER TEMPERATURE |
|---------|----------------------|
| 11001 | 20.5 |
| 11010 | 20.0 |
| 11011 | 19.5 |
| 11100 | 19.0 |
| 11101 | 18.5 |
| 11110 | 18.0 |
| 11111 | 17.5 |

ALPHA Hot Register (ALPHAH)

TABLE 27. ALPHAH REGISTER

| ADDR | 7 | 6 | 5 | 4 | 3 | 2 | 1 | 0 |
|------|---|-------|-------|-------|-------|-------|-------|-------|
| 2Dh | D | ALP_H | ALP_H | ALP_H | ALP_H | ALP_H | ALP_H | ALP_H |
| | | 6 | 5 | 4 | 3 | 2 | 1 | 0 |

The ALPHA Hot variable is 7 bits and is defined as the temperature coefficient of Crystal from the XT0 value to +85 °C (both Alpha Hot and Alpha Cold must be programmed to provide full temperature compensation). It is normally given in units of ppm/°C², with a typical value of -0.034. Like the ALPHA Cold version, a scaled version of the absolute value of this coefficient is used in order to get an integer value. Therefore, ALP_H <7:0> is defined as the (|Actual Alpha Hot Value| x 2048) and converted to binary. For example, a crystal with Alpha Hot of -0.034ppm/°C² is first scaled (|2048*(-0.034)| = 70d) and then converted to a binary number of 01000110b.

The practical range of Actual ALPHAH values is from -0.020 to -0.060.

The ISL12022MA has a preset ALPHAH value corresponding to the crystal in the module. **This value is recalled on initial power-up and is preset in device production. It is READ ONLY and cannot be overwritten by the user.**

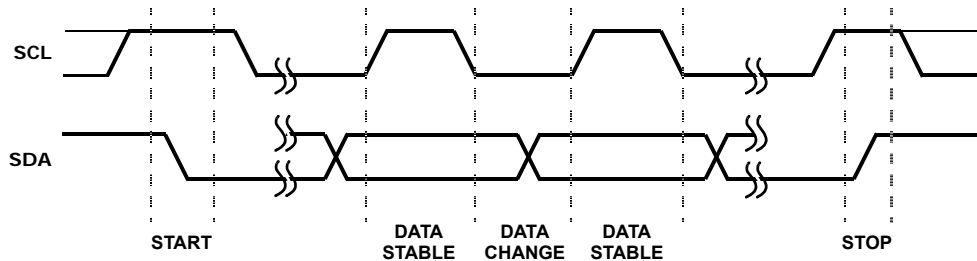


FIGURE 16. VALID DATA CHANGES, START AND STOP CONDITIONS

User Registers (Accessed by Using Slave Address 1010111x)

Addresses [00h to 7Fh]

These registers are 128 bytes of battery-backed user SRAM. The separate I²C slave address must be used to read and write to these registers.

I²C Serial Interface

The ISL12022MA supports a bi-directional bus oriented protocol. The protocol defines any device that sends data onto the bus as a transmitter and the receiving device as the receiver. The device controlling the transfer is the master and the device being controlled is the slave. The master always initiates data transfers and provides the clock for both transmit and receive operations. Therefore, the ISL12022MA operates as a slave device in all applications.

All communication over the I²C interface is conducted by sending the MSB of each byte of data first.

Protocol Conventions

Data states on the SDA line can change only during SCL LOW periods. SDA state changes during SCL HIGH are reserved for indicating START and STOP conditions (see Figure 16). On power-up of the ISL12022MA, the SDA pin is in the input mode.

All I²C interface operations must begin with a START condition, which is a HIGH to LOW transition of SDA while SCL is HIGH. The ISL12022MA continuously monitors the SDA and SCL lines for the START condition and does not respond to any command until this condition is met (see Figure 16). A START condition is ignored during the power-up sequence.

All I²C interface operations must be terminated by a STOP condition, which is a LOW to HIGH transition of SDA while SCL is HIGH (see Figure 16). A STOP condition at the end of a read operation or at the end of a write operation to memory only places the device in its standby mode.

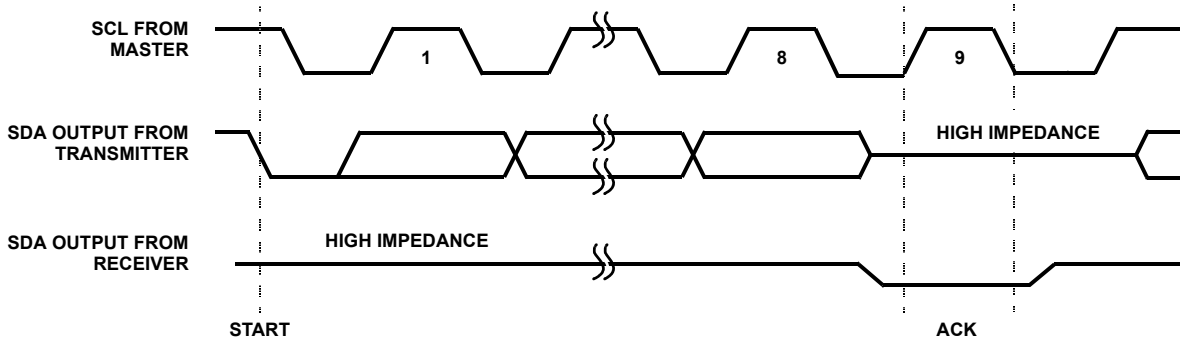


FIGURE 17. ACKNOWLEDGE RESPONSE FROM RECEIVER

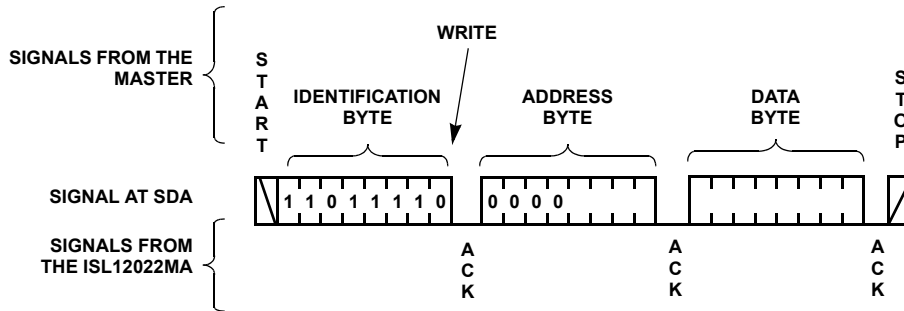


FIGURE 18. BYTE WRITE SEQUENCE (SLAVE ADDRESS FOR CSR SHOWN)

An acknowledge (ACK) is a software convention used to indicate a successful data transfer. The transmitting device, either master or slave, releases the SDA bus after transmitting eight bits. During the ninth clock cycle, the receiver pulls the SDA line LOW to acknowledge the reception of the eight bits of data (see Figure 17).

The ISL12022MA responds with an ACK after recognition of a START condition followed by a valid Identification Byte, and once again, after successful receipt of an Address Byte. The ISL12022MA also responds with an ACK after receiving a Data Byte of a write operation. The master must respond with an ACK after receiving a Data Byte of a read operation.

Device Addressing

Following a start condition, the master must output a Slave Address Byte. The 7 MSBs are the device identifiers. These bits are “1101111” for the RTC registers and “1010111” for the User SRAM.

The last bit of the Slave Address Byte defines a read or write operation to be performed. When this R/W bit is a “1”, a read operation is selected. A “0” selects a write operation (refer to Figure 19).

After loading the entire Slave Address Byte from the SDA bus, the ISL12022MA compares the device identifier and device select bits with “1101111” or “1010111”. Upon a correct compare, the device outputs an acknowledge on the SDA line.

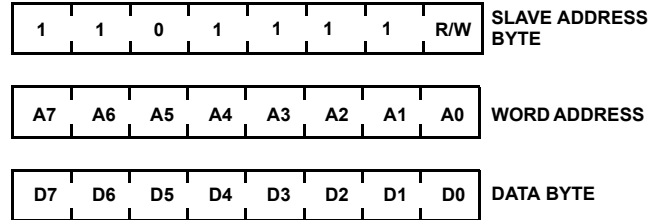


FIGURE 19. SLAVE ADDRESS, WORD ADDRESS, AND DATA BYTES

Following the Slave Byte is a one byte word address. The word address is either supplied by the master device or obtained from an internal counter. On power-up, the internal address counter is set to address 00h, so a current address read starts at address 00h. When required, as part of a random read, the master must supply the 1 Word Address Bytes, as shown in Figure 20.

In a random read operation, the slave byte in the “dummy write” portion must match the slave byte in the “read” section. For a random read of the Control/Status Registers, the slave byte must be “1101111x” in both places.

Write Operation

A Write operation requires a START condition, followed by a valid Identification Byte, a valid Address Byte, a Data Byte, and a STOP condition. After each of the three bytes, the ISL12022MA responds with an ACK. At this time, the I²C interface enters a standby state.

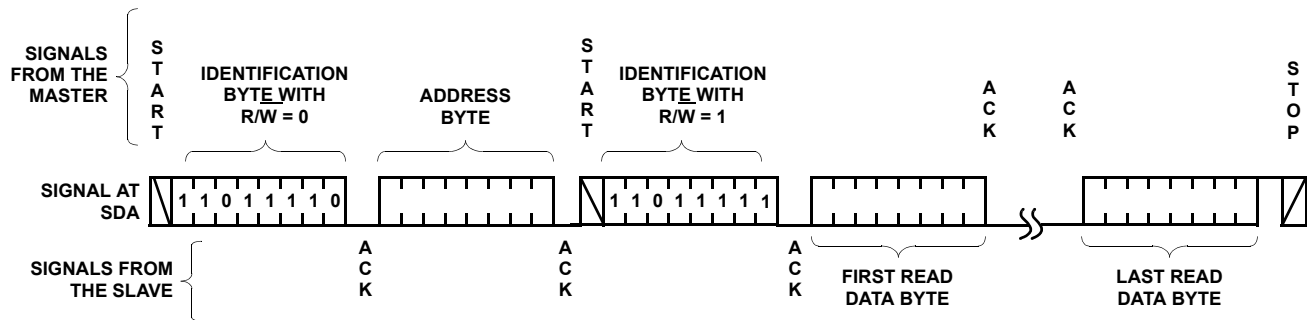


FIGURE 20. READ SEQUENCE (CSR SLAVE ADDRESS SHOWN)

Read Operation

A Read operation consists of a three byte instruction, followed by one or more Data Bytes (see Figure 20). The master initiates the operation issuing the following sequence: a START, the Identification byte with the R/\overline{W} bit set to "0", an Address Byte, a second START, and a second Identification byte with the R/\overline{W} bit set to "1". After each of the three bytes, the ISL12022MA responds with an ACK. Then the ISL12022MA transmits Data Bytes as long as the master responds with an ACK during the SCL cycle following the eighth bit of each byte. The master terminates the read operation (issuing a STOP condition) following the last bit of the last Data Byte (see Figure 20).

The Data Bytes are from the memory location indicated by an internal pointer. This pointer's initial value is determined by the Address Byte in the Read operation instruction, and increments by one during transmission of each Data Byte. After reaching the memory location 2Fh, the pointer "rolls over" to 00h, and the device continues to output data for each ACK received.

Application Section

Power Supply Considerations

The ISL12022M contains programmed EEPROM registers which are recalled to volatile RAM registers during initial power-up. These registers contain DC voltage, frequency and temperature calibration settings. Initial power-up can be either application of V_{BAT} or V_{DD} power, whichever is first. It is important that the initial power-up meet the power supply slew rate specification to avoid faulty EEPROM power-up recall. Also, any glitches or low voltage DC pauses should be avoided, as these may activate recall at a low voltage and load erroneous data into the calibration registers. Note that a very slow V_{DD} ramp rate (outside data sheet limits) will almost always trigger erroneous recall and should be avoided entirely.

Battery Backup Details

The ISL12022MA has automatic switchover to battery backup when the V_{DD} drops below the V_{BAT} mode threshold. A wide variety of backup sources can be used, including standard and rechargeable lithium, super-capacitors, or regulated secondary sources. The serial interface is disabled in battery backup, while the oscillator and RTC registers are operational. The SRAM register contents are powered to preserve their contents as well.

The input voltage range for V_{BAT} is 1.8V to 5.5V, but keep in mind the temperature compensation only operates for $V_{BAT} > 2.7V$.

Note that the device is not guaranteed to operate with a $V_{BAT} < 1.8V$, so the battery should be changed before discharging to that level. It is strongly advised to monitor the low battery indicators in the status registers and take action to replace discharged batteries.

If a supercapacitor is used, it is possible that it may discharge to below 1.8V during prolonged power-down. Once powered up, the device may lose serial bus communications until both V_{DD} and V_{BAT} are powered down together. To avoid that situation, including situations where a battery may discharge deeply, the circuit in Figure 21 can be used.

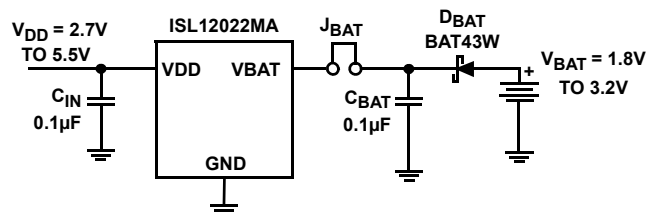


FIGURE 21. SUGGESTED BATTERY BACKUP CIRCUIT

The diode, D_{BAT} will add a small drop to the battery voltage but will protect the circuit should battery voltage drop below 1.8V. The jumper is added as a safeguard should the battery ever need to be disconnected from the circuit.

The V_{DD} negative slew rate should be limited to below the data sheet spec (10V/ms) otherwise battery switchover can be delayed, resulting in SRAM contents corruption and oscillator operation interruption.

Some applications will require separate supplies for the RTC V_{DD} and the I²C pull-ups. This is not advised, as it may compromise the operation of the I²C bus. For applications that do require serial bus communication with the RTC V_{DD} powered down, the SDA pin must be pulled low during the time the RTC V_{DD} ramps down to 0V. Otherwise, the device may lose serial bus communications once V_{DD} is powered up, and will return to normal operation ONLY once V_{DD} and V_{BAT} are both powered down together.

Layout Considerations

The ISL12020M contains a quartz crystal and requires special handling during PC board assembly. Excessive shock and vibrations should be avoided. Ultrasound cleaning is not advisable. See Note 6 on page 6 in the electrical specifications table pertaining to solder reflow effects on oscillator accuracy.

The part of the package from pin 4 to 6 and from pin 15 to 17 contains the crystal. Low frequency RTC crystals are known to pick up noise very easily if layout precautions are not followed, even embedded within a plastic package. Most instances of erratic clocking or large accuracy errors can be traced to the susceptibility of the oscillator circuit to interference from adjacent high speed clock or data lines. Careful layout of the RTC circuit will avoid noise pickup and insure accurate clocking.

Figure 22 shows a suggested layout for the ISL12022MA device. The following main precautions should be followed:

- Do not run the serial bus lines or any high speed logic lines in the vicinity of pins 1 and 20, or under the package. These logic level lines can induce noise in the oscillator circuit, causing misclocking.
- Add a ground trace around the device with one end terminated at the chip ground. This guard ring will provide termination for emitted noise in the vicinity of the RTC device
- Add a 0.1 μ F decoupling capacitor at the device V_{DD} pin, especially when using the 32.768kHz F_{OUT} function.

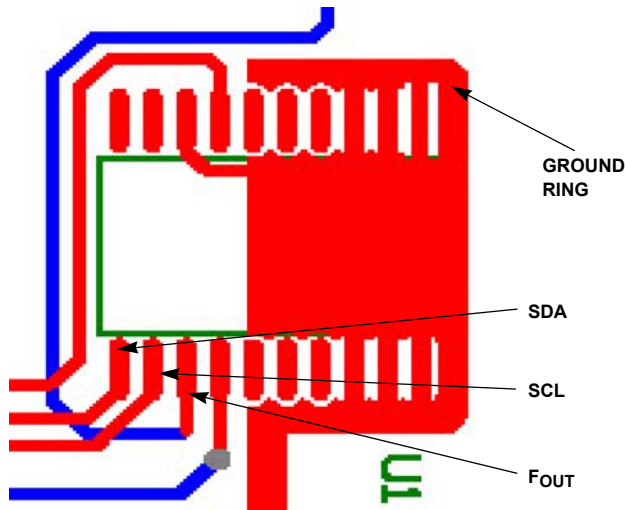


FIGURE 22. SUGGESTED LAYOUT FOR THE ISL12022MA

The best way to run clock lines around the RTC is to stay outside of the ground ring by at least a few millimeters. Also, use the V_{BAT} and V_{DD} as guard ring lines as well, they can isolate clock lines from the oscillator section. In addition, if the $\overline{\text{IRQ}}/\text{F}_{\text{OUT}}$ pin is used as a clock, it should be routed away from the RTC device as well.

Measuring Oscillator Accuracy

The best way to analyze the ISL12022MA frequency accuracy is to set the $\overline{\text{IRQ}}/\text{F}_{\text{OUT}}$ pin for a specific frequency, and look at the output of that pin on a high accuracy frequency counter (at least 7 digits accuracy). Note that the $\overline{\text{IRQ}}/\text{F}_{\text{OUT}}$ is a drain output and will require a pull-up resistor.

Using the 1.0Hz output frequency is the most convenient as the ppm error is expressed in Equation 6:

$$\text{ppm error} = F_{\text{OUT}} - 1 \cdot 1\text{e}6 \quad (\text{EQ. 6})$$

Other frequencies may be used for measurement but the error calculation becomes more complex. Use the F_{OUT} output and a frequency counter for the most accurate results. Also, when the proper layout guidelines above are observed, the oscillator should start-up in most circuits in less than one second.

Temperature Compensation Operation

The ISL12022MA temperature compensation feature needs to be enabled by the user. This must be done in a specific order as follows.

- Read register 0Dh, the BETA register. This register contains the 5-bit BETA trimmed value, which is automatically loaded on initial power-up. Mask off the 5 LSB's of the value just read.
- Bit 7 of the BETA register is the master enable control for temperature sense operation. Set this to "1" to allow continuous temperature frequency correction. Frequency correction will then happen every 60 seconds with V_{DD} applied.
- Bits 5 and 6 of the BETA register control temperature compensation in battery backup mode (see Table 16). Set the values for the operation desired.
- Write back to register 0Dh making sure not to change the 5 LSB values, and include the desired compensation control bits.

Note that every time the BETA register is written with the TSE bit = 1, a temperature compensation cycle is instigated and a new correction value will be loaded into the FATR/FDTR registers (if the temperature changed since the last conversion).

Also note that registers 0Bh and 0Ch, the ITRO and ALPHA registers, are READ-ONLY, and cannot be written to. Also the value for BETA is locked and cannot be changed with a write. However, it is still a good idea to do the bit masking when doing TSE bit changes.

Daylight Savings Time (DST) Example

DST involves setting the forward and back times and allowing the RTC device to automatically advance the time or set the time back. This can be done for current year, and future years. Many regions have DST rules that use standard months, weeks and time of the day, which permit a pre-programmed, permanent setting.

Table 28 shows an example setup for the ISL12022MA.

TABLE 28. DST EXAMPLE

| VARIABLE | VALUE | REGISTER | VALUE |
|--|----------------------|----------|-------|
| Month Forward and DST Enable | April | 15h | 84h |
| Week and Day Forward and select Day/Week, not Date | 1st Week and Sunday | 16h | 48h |
| Date Forward | Not used | 17h | 00h |
| Hour Forward | 2am | 18h | 02h |
| Month Reverse | October | 19h | 10h |
| Week and Day Reverse and select Day/Week, not Date | Last Week and Sunday | 1Ah | 78h |
| Date Reverse | Not used | 1Bh | 00h |
| Hour Reverse | 2am | 1Ch | 02h |

The Enable bit (DSTE) is in the Month forward register, so the BCD value for that register is altered with the additional bit. The Week and Day values along with Week/Day vs Date select bit is in the Week/Day register, so that value is also not straight BCD. Hour and Month are normal BCD, but the Hour doesn't use the MIL bit since Military time PM values are already discretely different from AM/PM time PM values. The DST reverse setting utilizes the option to select the last week of the month for October, which could have 4 or 5 weeks but needs to have the time change on the last Sunday.

Note that the DSTADJ bit in the status register monitors whether the DST forward adjustment has happened. When it is "1", DST forward has taken place. When it is "0", then either DST reverse has happened, or it has been reset either by initial power-up or if the DSTE bit has been set to "0".

Device Handling Precautions

The ISL12022MA contains a quartz crystal and requires special handling during PC board assembly. Excessive shock and vibrations should be avoided, especially with automated handling equipment (see "Absolute Maximum Ratings" on page 6 for shock and vibration). Avoid dropping onto hard surfaces, placing rubber floor mats in assembly areas will greatly reduce the risk of damage.

PCB panel routing should be monitored to avoid generating vibrations at harmonics of the crystal frequency (32kHz). If possible, router speed should be adjusted to mitigate this risk.

Ultrasound cleaning is not advisable as it subjects the crystal to resonance and possible failure. Units subject to shock, vibration or ultrasound may sustain crystal failures in one of many modes, all of which will affect oscillator frequency accuracy or cause oscillator failure.

See also Note 6 on page 6 in the specifications tables, which pertains to solder reflow effects on oscillator accuracy. Note that overheating the package, in excess of +260° for >30 sec, will cause damage to the crystal seal and compromise oscillator accuracy.

© Copyright Intersil Americas LLC 2010-2012. All Rights Reserved.
All trademarks and registered trademarks are the property of their respective owners.

For additional products, see www.intersil.com/en/products.html

Intersil products are manufactured, assembled and tested utilizing ISO9001 quality systems as noted in the quality certifications found at www.intersil.com/en/support/qualandreliability.html

Intersil products are sold by description only. Intersil may modify the circuit design and/or specifications of products at any time without notice, provided that such modification does not, in Intersil's sole judgment, affect the form, fit or function of the product. Accordingly, the reader is cautioned to verify that datasheets are current before placing orders. Information furnished by Intersil is believed to be accurate and reliable. However, no responsibility is assumed by Intersil or its subsidiaries for its use; nor for any infringements of patents or other rights of third parties which may result from its use. No license is granted by implication or otherwise under any patent or patent rights of Intersil or its subsidiaries.

For information regarding Intersil Corporation and its products, see www.intersil.com

Revision History

The revision history provided is for informational purposes only and is believed to be accurate, but not warranted. Please go to web to make sure you have the latest Rev.

| DATE | REVISION | CHANGE |
|------------------|----------|--|
| August 22, 2012 | FN7575.5 | Corrected Pin 4 in "TYPICAL APPLICATION CIRCUIT" on page 1 from "GND" to "NC" to match "Pin Configuration" and "Pin Descriptions" on page 2. |
| August 7, 2012 | FN7575.4 | Changed Pin 1 from GNC to GND on page 2. Removed bullet left column above Figure 22 on page 28 which read: "Be sure to ground pins 6 and 15 as well as pin 8 as these all insure the integrity of the device ground". |
| May 16, 2012 | FN7575.3 | Added new section header "OSCILLATOR ACCURACY" on page 7 Removed Min/Max of -5/5ppm for "Oscillator Stability vs Temperature" on page 7. Added typ of ± 2 ppm Changed Min/Max for "Oscillator Initial Accuracy" on page 7 from -3/+3 ppm to -2/+8ppm Added "Oscillator Accuracy after Reflow Cycle" on page 7. Added notes 17, 18 cross references where required to above specs. Added note 19 to "Oscillator Stability vs Voltage" on page 7. Added notes 17, 18 and 19 to end of spec table on page 8. "Layout Considerations" on page 27. Changed 1st sentence of 2nd paragraph from: "The part of the package that has NC pins from pin 4 to 6 and from pin 15 to 17 contains the crystal." to "The part of the package from pin 4 to 6 and from pin 15 to 17 contains the crystal." |
| October 24, 2011 | FN7575.2 | <ul style="list-style-type: none"> On page 1, 1st paragraph, added "Backup battery current draw is less than 1.6μA over the temperature range." Under Features, added bullet "1.6μA Max Battery Current" On page 6, DC Operating Characteristics: for I_{DD1} at 5V and 3V limits, changed MAX from 7μA and 6μA to 15μA and 14μA. On page 7, Power-Down Timing: added V_{DDSR+} with TYP value of 0.05V/ms, with reference to Note 16. On page 8, added Note 16 for V_{DDSR+} On page 13, Oscillator Compensation: text deleted: "These values can be overwritten by the user although this is not suggested as the resulting temperature compensation performance will be compromised." On page 16, Oscillator Fail Bit: changed text from "Oscillator Fail Bit indicates that the oscillator has stopped." to: "Oscillator Fail Bit indicates that the oscillator has failed. The oscillator frequency is either zero or very far from the desired 32.768kHz due to failure, PC board contamination or mechanical issues." On page 16, Daylight Saving Time Change Bit (DSTADJ): removed "DSTADJ can be set to "1" for instances where the RTC device is initialized during the DST Forward period." and added "It is read-only and cannot be written. Setting time during a DST forward period will not set this bit to "1"." On page 21, Table 20, FDTR column heading changed from <2:0> to <4:0> On page 27, added "Power Supply Considerations" section. On page 27, added paragraph at beginning of Layout Considerations for handling. On page 31, Package Outline Drawing: replaced M20.3, Rev 2, 6/15, with M20.3, Rev 3, 2/11. |
| July 1, 2010 | FN7575.1 | In the "Device Handling Precautions" on page 29, changed the max reflow temperature from "+280°C" to "+260°C for >30 sec" |
| June 1, 2010 | FN7575.0 | Initial Release. |

Products

Intersil Corporation is a leader in the design and manufacture of high-performance analog semiconductors. The Company's products address some of the industry's fastest growing markets, such as, flat panel displays, cell phones, handheld products, and notebooks. Intersil's product families address power management and analog signal processing functions. Go to www.intersil.com/products for a complete list of Intersil product families.

For a complete listing of Applications, Related Documentation and Related Parts, please see the respective device information page on intersil.com: [ISL12022MA](http://www.intersil.com/ISL12022MA)

To report errors or suggestions for this datasheet, please go to www.intersil.com/askourstaff

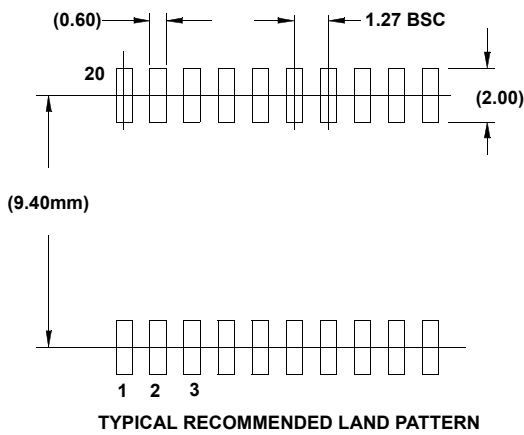
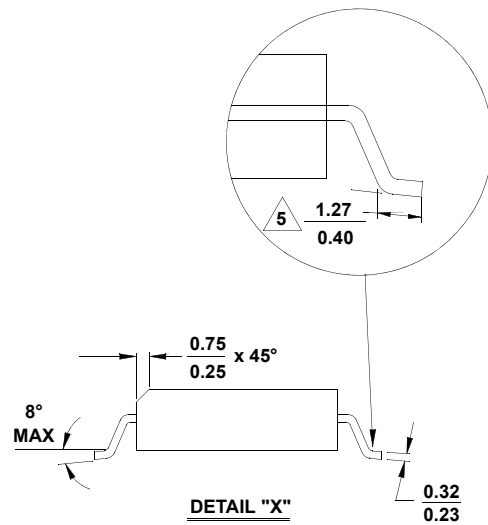
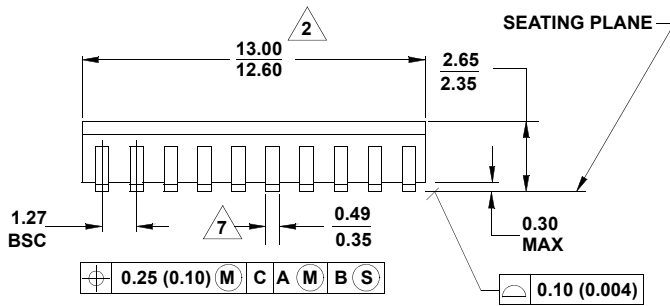
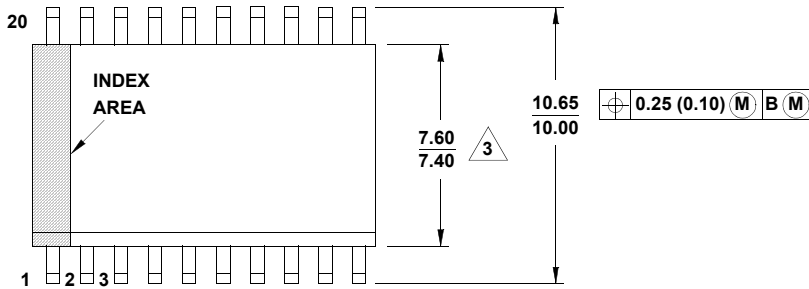
FITs are available from our website at <http://rel.intersil.com/reports/search.php>

Package Outline Drawing

M20.3

20 LEAD WIDE BODY SMALL OUTLINE PLASTIC PACKAGE (SOIC)

Rev 3, 2/11



NOTES:

1. Dimensioning and tolerancing per ASME Y14.5M-1994.
2. Dimension does not include mold flash, protrusions or gate burrs. Mold flash, protrusion and gate burrs shall not exceed 0.15mm (0.006 inch) per side.
3. Dimension does not include interlead lash or protrusions. Interlead flash and protrusions shall not exceed 0.25mm (0.010 inch) per side.
4. The chamfer on the body is optional. If it is not present, a visual index feature must be located within the crosshatched area.
5. Dimension is the length of terminal for soldering to a substrate.
6. Terminal numbers are shown for reference only.
7. The lead width as measured 0.36mm (0.14 inch) or greater above the seating plane, shall not exceed a maximum value of 0.61mm (0.024 inch)
8. Controlling dimension: MILLIMETER.
9. Dimensions in () for reference only.
10. JEDEC reference drawing number: MS-013-AC.