

Extension module - PSR-SCP-42-230UC/URM4/4NO/2NC - 2702924

Please be informed that the data shown in this PDF Document is generated from our Online Catalog. Please find the complete data in the user's documentation. Our General Terms of Use for Downloads are valid (<http://phoenixcontact.com/download>)



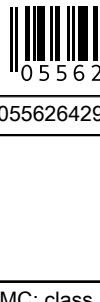
1 or 2-channel contact extension with wide range input, 4 N/O contacts, 1 N/C contact, 1 confirmation current path, together with basic device up to Cat. 4, PL e according to EN ISO 13849, plug-in screw terminal block, width: 22.5 mm

Product Description

The URM4 contact extension device enables safety-related signals to be further processed as floating contacts for an input voltage range of 42 to 230 V AC/DC. The contact extension device specifically covers the operating range above a nominal voltage of 24 V. The new device is approved in accordance with EN 50156 and can therefore be used in furnaces without any additional effort. In particular when used in conjunction with the corresponding PSR safety relay as a basic device, safety circuits up to PL e or SIL 3 can be implemented.



Key Commercial Data

Packing unit	1 pc
GTIN	 4 055626 429106
GTIN	4055626429106

Technical data

Note

Utilization restriction	EMC: class A product, see manufacturer's declaration in the download area
-------------------------	---

Dimensions

Width	22.5 mm
Height	99 mm
Depth	114.5 mm

Ambient conditions

Ambient temperature (operation)	-20 °C ... 55 °C (observe derating)
Ambient temperature (storage/transport)	-40 °C ... 85 °C
Max. permissible relative humidity (operation)	75 % (on average, 85% infrequently, non-condensing)
Max. permissible humidity (storage/transport)	75 % (on average, 85% infrequently, non-condensing)
Maximum altitude	≤ 2000 m (Above sea level)

Extension module - PSR-SCP-42-230UC/URM4/4NO/2NC - 2702924

Technical data

Input data

Rated control circuit supply voltage U_s	42 V AC/DC ... 230 V AC/DC -15 % ... +10 % (Rated control circuit supply voltage U_s)
Rated control supply current I_s	typ. 35 mA (42 V DC)
	typ. 15 mA (230 V AC)
Power consumption at U_s	max. 1.5 W (with DC)
	max. 1.7 W (with AC)
Inrush current	< 38 A ($\Delta t = 50 \mu s$ at U_s)
Typ. starting time with U_s	< 100 ms (when controlled via A1)
Typical release time	< 20 ms (Control via A1 at 42 V DC)
	< 200 ms (Control via A1 at 230 V AC)
Recovery time	< 1 s
Operating voltage display	1 x green LED
Protective circuit	Surge protection Suppressor diode and varistors
Maximum switching frequency	0.5 Hz

Output data

Contact type	4 enabling current paths
	1 confirmation current path
	1 signaling current path
Contact material	AgSnO ₂
Maximum switching voltage	250 V AC/DC (Observe the load curve)
Minimum switching voltage	5 V AC/DC
Limiting continuous current	6 A (N/O contact, pay attention to the derating)
	1 A (N/C contact 51/52)
	6 A (N/C contact 61/62)
Maximum inrush current	8 A
Inrush current, minimum	10 mA
Sq. Total current	72 A ² (observe derating)
Interrupting rating (ohmic load) max.	1500 VA (N/O contact, 250 V AC, $\tau = 0$ ms)
	For additional values, see load curve
Maximum interrupting rating (inductive load)	48 W (N/O contact, 24 V DC, $\tau = 40$ ms)
	40 W (N/O contact, 48 V DC, $\tau = 40$ ms)
	36 W (N/O contact, 60 V DC, $\tau = 40$ ms)
	35 W (N/O contact, 110 V DC, $\tau = 40$ ms)
	33 W (N/O contact, 220 V DC, $\tau = 40$ ms)
	1500 VA (N/O contact, 250 V AC, $\tau = 40$ ms)
Switching capacity	min. 50 mW
Mechanical service life	10x 10 ⁶ cycles
Switching capacity according to IEC 60947-5-1	5 A (24 V (DC13))
	5 A (250 V (AC15))
Output fuse	6 A gL/gG (N/O contact and N/C contact 61/62)

Extension module - PSR-SCP-42-230UC/URM4/4NO/2NC - 2702924

Technical data

Output data

	4 A gL/gG (N/O contact and N/C contact 61/62 for low-demand applications)
	1 A gL/gG (N/C contact 51/52)

General

Relay type	Electromechanical relay with force-guided contacts in accordance with IEC/EN 61810-3
Nominal operating mode	100% operating factor
Net weight	199 g
Mounting position	vertical or horizontal
Mounting type	DIN rail mounting
Assembly instructions	See derating curve
Degree of protection	IP20
Min. degree of protection of inst. location	IP54
Housing material	PBT
Housing color	yellow

Connection data

Connection method	Screw connection
pluggable	Yes
Conductor cross section solid	0.2 mm ² ... 2.5 mm ²
Conductor cross section flexible	0.2 mm ² ... 2.5 mm ²
Conductor cross-section AWG	24 ... 12
Stripping length	7 mm
Screw thread	M3

Safety-related characteristic data

Stop category	0
Designation	IEC 61508 - High demand
Safety Integrity Level (SIL)	3 (In conjunction with suitable evaluating device)
Designation	IEC 61508 - Low demand
Safety Integrity Level (SIL)	3 (In conjunction with suitable evaluating device)
Designation	EN ISO 13849
Performance level (PL)	e (In conjunction with suitable evaluating device)
Category	4 (In conjunction with suitable evaluating device)
Designation	EN 62061
Safety Integrity Level Claim Limit (SIL CL)	3 (In conjunction with suitable evaluating device)
Designation	EN 50156
Safety Integrity Level (SIL)	3

Standards and Regulations

Designation	Air clearances and creepage distances between the power circuits
Standards/regulations	DIN EN 50178/VDE 0160
Rated insulation voltage	250 V AC

Extension module - PSR-SCP-42-230UC/URM4/4NO/2NC - 2702924

Technical data

Standards and Regulations

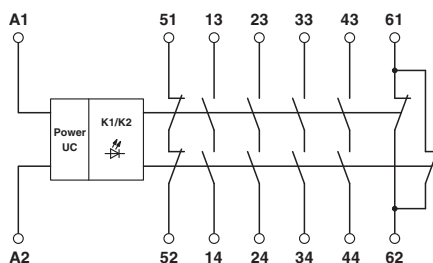
Rated surge voltage/insulation	Safe isolation, reinforced insulation 6 kV: between (A1/A2) and the remaining current paths between (51/52) and the remaining current paths between (61/62) and the remaining current paths between (13/14, 23/24, 33/34, 43/44) and the remaining current paths
	4 kV basic insulation between enabling current paths
	Basic insulation 4 kV between all current paths and housing
Degree of pollution	2
Overvoltage category	III
Shock	15g
Vibration (operation)	10 Hz ... 150 Hz, 2g
Conformance	CE-compliant

Environmental Product Compliance

REACH SVHC	Lead 7439-92-1
China RoHS	Environmentally Friendly Use Period = 50 years
	For details about hazardous substances go to tab "Downloads", Category "Manufacturer's declaration"

Drawings

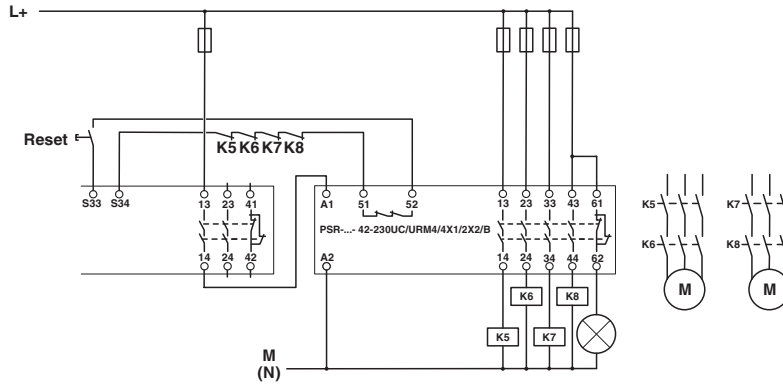
Block diagram



Block diagram

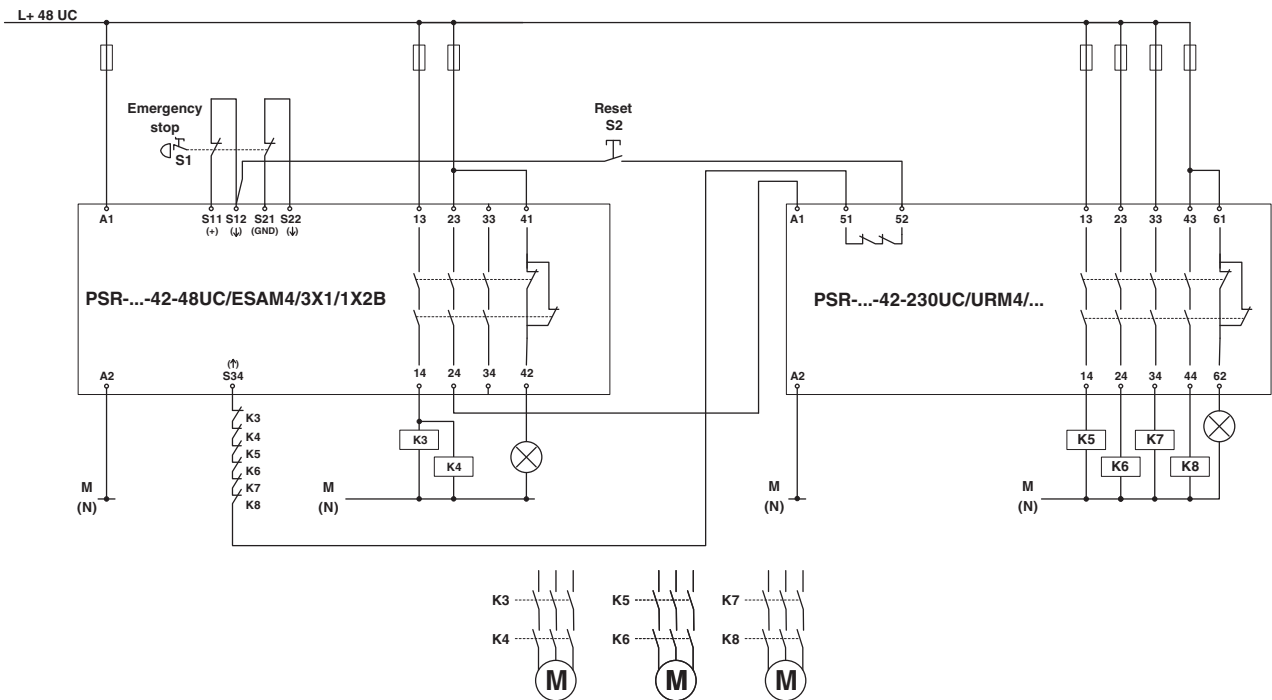
Extension module - PSR-SCP-42-230UC/URM4/4NO/2NC - 2702924

Application drawing



Contact extension

Application drawing



Two-channel emergency stop monitoring with contact extension

Extension module - PSR-SCP-42-230UC/URM4/4NO/2NC - 2702924

Classifications

eCl@ss

eCl@ss 10.0.1	27371819
eCl@ss 11.0	27371819
eCl@ss 5.1	27371901
eCl@ss 6.0	27371800
eCl@ss 7.0	27371819
eCl@ss 9.0	27371819

ETIM

ETIM 5.0	EC001449
ETIM 6.0	EC001449
ETIM 7.0	EC001449

Approvals

Approvals

Approvals

Functional Safety / UL Listed / cUL Listed / Functional Safety / cULus Listed

Ex Approvals

Approval details

Functional Safety			968/EZ 575.01/16
-------------------	--	--	------------------

UL Listed		http://database.ul.com/cgi-bin/XYV/template/LISEXT/1FRAME/index.htm	FILE E 140324
-----------	--	---	---------------

cUL Listed		http://database.ul.com/cgi-bin/XYV/template/LISEXT/1FRAME/index.htm	FILE E 140324
------------	--	---	---------------

Functional Safety			968/EZ 575.01/16
-------------------	--	--	------------------

Extension module - PSR-SCP-42-230UC/URM4/4NO/2NC - 2702924

Approvals

cULus Listed



Phoenix Contact 2021 © - all rights reserved
<http://www.phoenixcontact.com>

PHOENIX CONTACT GmbH & Co. KG
Flachsmarktstr. 8
32825 Blomberg
Germany
Tel. +49 5235 300
Fax +49 5235 3 41200
<http://www.phoenixcontact.com>