

DRV8424/25 Stepper Drivers With Integrated Current Sense, 1/256 Microstepping, STEP/DIR Interface and smart tune Technology

1 Features

- PWM Microstepping Stepper Motor Driver
 - Simple STEP/DIR Interface
 - Up to 1/256 Microstepping Indexer
- Integrated Current Sense Functionality
 - No Sense Resistors Required
 - $\pm 5\%$ Full-Scale Current Accuracy
- Smart tune decay technology, Fixed slow, and mixed decay options
- 4.5 to 33-V Operating Supply Voltage Range
- Low $R_{DS(ON)}$:
 - DRV8424: 330 m Ω HS + LS at 24 V, 25°C
 - DRV8425: 550 m Ω HS + LS at 24 V, 25°C
- High Current Capacity Per Bridge
 - DRV8424: 4A peak, 2.5A Full-Scale, 1.8A rms
 - DRV8425: 3.2A peak, 2A Full-Scale, 1.4A rms
- Pin to pin compatible with -
 - [DRV8426](#): 33-V, 900 m Ω HS + LS
 - [DRV8436](#): 48-V, 900 m Ω HS + LS
 - [DRV8434](#): 48-V, 330 m Ω HS + LS
- Configurable Off-Time PWM Chopping
 - 7- μ s, 16- μ s, 24- μ s, or 32- μ s.
- Supports 1.8-V, 3.3-V, 5.0-V Logic Inputs
- Low-Current Sleep Mode (2 μ A)
- Spread spectrum clocking for low electromagnetic interference (EMI)
- Small Package and Footprint
- Protection Features
 - VM Undervoltage Lockout (UVLO)
 - Charge Pump Undervoltage (CPUV)
 - Overcurrent Protection (OCP)
 - Thermal Shutdown (OTSD)
 - Fault Condition Output (nFAULT)

2 Applications

- [Printers and Scanners](#)
- [ATM and Money Handling Machines](#)
- [Textile Machines](#)
- [Stage Lighting Equipment](#)
- [Office and Home Automation](#)
- [Factory Automation and Robotics](#)
- [Medical Applications](#)
- [3D Printers](#)

3 Description

The DRV8424/25 are stepper motor drivers for industrial and consumer applications. The device is fully integrated with two N-channel power MOSFET H-bridge drivers, a microstepping indexer, and integrated current sensing. The DRV8424 is capable of driving up to 2.5-A full-scale output current; and the DRV8425 is capable of driving up to 2-A full-scale output current (dependent on PCB design).

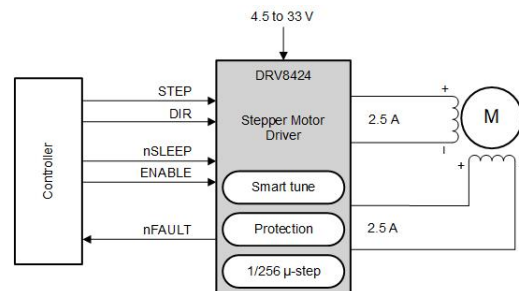
The DRV8424/25 use an internal current sense architecture to eliminate the need for two external power sense resistors, saving PCB area and system cost. The devices use an internal PWM current regulation scheme selectable between smart tune, fast, slow and mixed decay options. Smart tune automatically adjusts for optimal current regulation, compensates for motor variation and aging effects and reduces audible noise from the motor.

A simple STEP/DIR interface allows an external controller to manage the direction and step rate of the stepper motor. The device can be configured in full-step to 1/256 microstepping. A low-power sleep mode is provided using a dedicated nSLEEP pin. Protection features are provided for supply undervoltage, charge pump faults, overcurrent, short circuits, and overtemperature. Fault conditions are indicated by the nFAULT pin.

Device Information (1)

| PART NUMBER | PACKAGE | BODY SIZE (NOM) |
|-------------|-------------|-----------------|
| DRV8424PWPR | HTSSOP (28) | 9.7mm x 4.4mm |
| DRV8424RGER | VQFN (24) | 4.0mm x 4.0mm |
| DRV8425PWPR | HTSSOP (28) | 9.7mm x 4.4mm |
| DRV8425RGER | VQFN (24) | 4.0mm x 4.0mm |

- (1) For all available packages, see the orderable addendum at the end of the data sheet.



Simplified Schematic



Table of Contents

| | | | |
|--|----|--|----|
| 1 Features | 1 | 7.4 Device Functional Modes..... | 33 |
| 2 Applications | 1 | 8 Application and Implementation | 35 |
| 3 Description | 1 | 8.1 Application Information..... | 35 |
| 4 Revision History | 2 | 8.2 Typical Application..... | 35 |
| 5 Pin Configuration and Functions | 3 | 9 Power Supply Recommendations | 40 |
| 6 Specifications | 6 | 9.1 Bulk Capacitance..... | 40 |
| 6.1 Absolute Maximum Ratings..... | 6 | 10 Layout | 41 |
| 6.2 ESD Ratings..... | 6 | 10.1 Layout Guidelines..... | 41 |
| 6.3 Recommended Operating Conditions..... | 7 | 10.2 Layout Example..... | 41 |
| 6.4 Thermal Information..... | 7 | 11 Device and Documentation Support | 43 |
| 6.5 Electrical Characteristics..... | 8 | 11.1 Related Links..... | 43 |
| 6.6 Indexer Timing Requirements..... | 9 | 11.2 Receiving Notification of Documentation Updates.. | 43 |
| 6.7 Typical Characteristics..... | 10 | 11.3 Community Resources..... | 43 |
| 7 Detailed Description | 13 | 11.4 Trademarks..... | 43 |
| 7.1 Overview..... | 13 | 11.5 Electrostatic Discharge Caution..... | 43 |
| 7.2 Functional Block Diagram..... | 14 | 12 Mechanical, Packaging, and Orderable Information | 44 |
| 7.3 Feature Description..... | 14 | | |

4 Revision History

NOTE: Page numbers for previous revisions may differ from page numbers in the current version.

| Changes from Revision * (May 2020) to Revision A (October 2020) | Page |
|--|-------------|
| • Changed Device Status to "Production Data"..... | 1 |

Device Comparison Table

| PART NUMBER | R _{DS(ON)} (HS + LS) (mΩ) | Full-Scale Current Per Bridge (A) |
|-------------|------------------------------------|-----------------------------------|
| DRV8424 | 330 | 2.5 |
| DRV8425 | 550 | 2 |

5 Pin Configuration and Functions

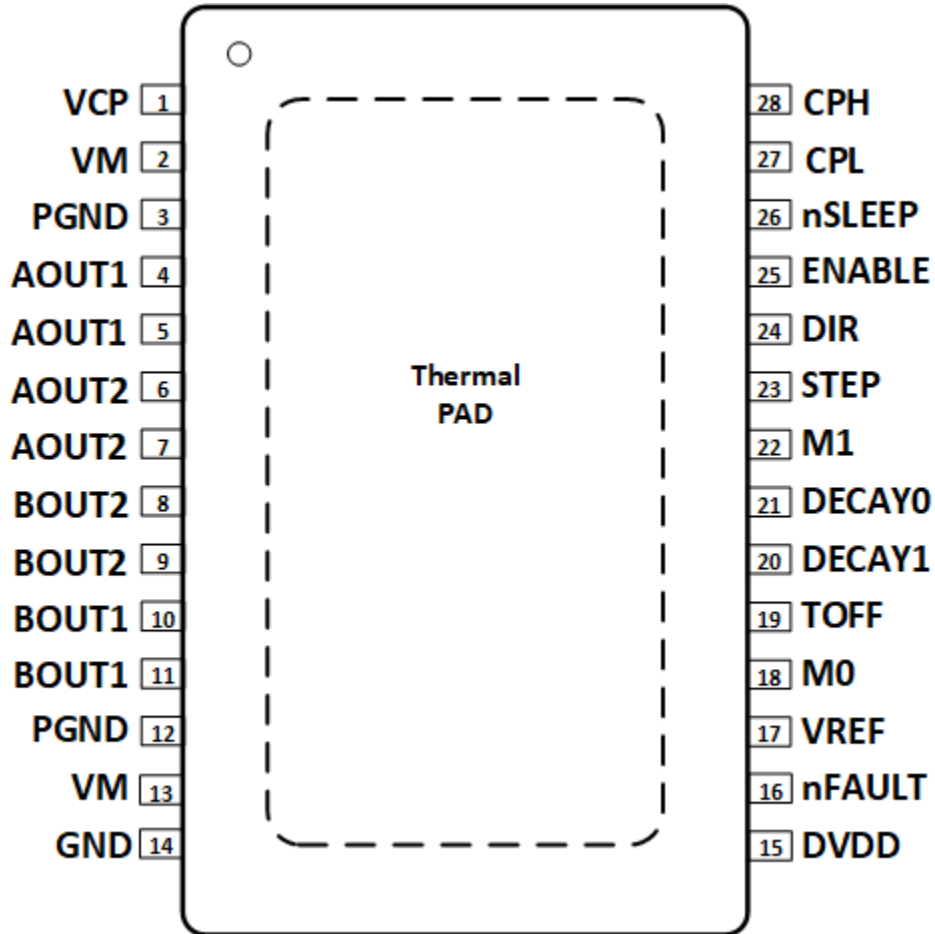


Figure 5-1. PWP PowerPAD™ Package 28-Pin HTSSOP Top View

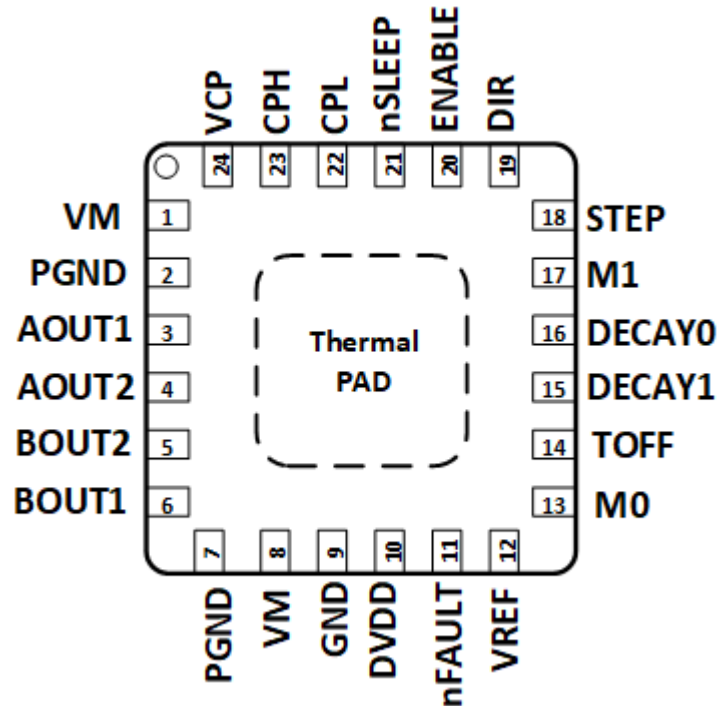


Figure 5-2. RGE Package 24-Pin VQFN with Exposed Thermal PAD Top View

Table 5-1. Pin Functions

| NAME | PIN | | I/O | TYPE | DESCRIPTION |
|--------|--------|------|-----|--------|--|
| | NO. | | | | |
| | HTSSOP | VQFN | | | |
| AOUT1 | 4, 5 | 3 | O | Output | Winding A output. Connect to stepper motor winding. |
| AOUT2 | 6, 7 | 4 | O | Output | Winding A output. Connect to stepper motor winding. |
| PGND | 3, 12 | 2, 7 | — | Power | Power ground. Connect to system ground. |
| BOUT2 | 8, 9 | 5 | O | Output | Winding B output. Connect to stepper motor winding |
| BOUT1 | 10, 11 | 6 | O | Output | Winding B output. Connect to stepper motor winding |
| CPH | 28 | 23 | — | Power | Charge pump switching node. Connect a X7R, 0.022- μ F, VM-rated ceramic capacitor from CPH to CPL. |
| CPL | 27 | 22 | | | |
| DIR | 24 | 19 | I | Input | Direction input. Logic level sets the direction of stepping; internal pulldown resistor. |
| ENABLE | 25 | 20 | I | Input | Logic low to disable device outputs; logic high to enable; internal pullup to DVDD. Also determines the type of OCP and OTSD response. |
| DVDD | 15 | 10 | O | Power | Logic supply voltage. Connect a X7R, 0.47- μ F to 1- μ F, 6.3-V or 10-V rated ceramic capacitor to GND. |
| GND | 14 | 9 | — | Power | Device ground. Connect to system ground. |
| VREF | 17 | 12 | I | Input | Current set reference input. Maximum value 3.3 V for DRV8424 and 2.64V for DRV8425. DVDD can be used to provide VREF through a resistor divider. |
| M0 | 18 | 13 | I | Input | Microstepping mode-setting pins. Sets the step mode; internal pulldown resistor. |
| M1 | 22 | 17 | | | |
| DECAY0 | 21 | 16 | I | Input | Decay-mode setting pins. Sets the decay mode (see the Section 7.3.6 section). |
| DECAY1 | 20 | 15 | | | |

Table 5-1. Pin Functions (continued)

| NAME | PIN NO. | | I/O | TYPE | DESCRIPTION |
|--------|---------|------|-----|------------|---|
| | HTSSOP | VQFN | | | |
| | STEP | 23 | | | |
| VCP | 1 | 24 | — | Power | Charge pump output. Connect a X7R, 0.22- μ F, 16-V ceramic capacitor to VM. |
| VM | 2, 13 | 1, 8 | — | Power | Power supply. Connect to motor supply voltage and bypass to PGND with two 0.01- μ F ceramic capacitors (one for each pin) plus a bulk capacitor rated for VM. |
| TOFF | 19 | 14 | I | Input | Sets the Decay mode off time during current chopping; four level pin. Also sets the ripple current in smart tune ripple control mode. |
| nFAULT | 16 | 11 | O | Open Drain | Fault indication. Pulled logic low with fault condition; open-drain output requires an external pullup resistor. |
| nSLEEP | 26 | 21 | I | Input | Sleep mode input. Logic high to enable device; logic low to enter low-power sleep mode; internal pulldown resistor. An nSLEEP low pulse clears faults. |
| PAD | - | - | - | - | Thermal pad. Connect to system ground. |

6 Specifications

6.1 Absolute Maximum Ratings

over operating free-air temperature range (unless otherwise noted)⁽¹⁾

| | MIN | MAX | UNIT |
|---|--------------------|--------------|------|
| Power supply voltage (VM) | -0.3 | 35 | V |
| Charge pump voltage (VCP, CPH) | -0.3 | $V_{VM} + 7$ | V |
| Charge pump negative switching pin (CPL) | -0.3 | V_{VM} | V |
| nSLEEP pin voltage (nSLEEP) | -0.3 | V_{VM} | V |
| Internal regulator voltage (DVDD) | -0.3 | 5.75 | V |
| Control pin voltage (STEP, DIR, ENABLE, nFAULT, DECAY0, DECAY1, TOFF, M0, M1) | -0.3 | 5.75 | V |
| Open drain output current (nFAULT) | 0 | 10 | mA |
| Reference input pin voltage (VREF) | -0.3 | 5.75 | V |
| Continuous phase node pin voltage (AOUT1, AOUT2, BOUT1, BOUT2) | -1 | $V_{VM} + 1$ | V |
| Transient 100 ns phase node pin voltage (AOUT1, AOUT2, BOUT1, BOUT2) | -3 | $V_{VM} + 3$ | V |
| Peak drive current (AOUT1, AOUT2, BOUT1, BOUT2) | Internally Limited | | A |
| Operating ambient temperature, T_A | -40 | 125 | °C |
| Operating junction temperature, T_J | -40 | 150 | °C |
| Storage temperature, T_{stg} | -65 | 150 | °C |

- (1) Stresses beyond those listed under *Absolute Maximum Ratings* may cause permanent damage to the device. These are stress ratings only, which do not imply functional operation of the device at these or any other conditions beyond those indicated under *Recommended Operating Conditions*. Exposure to absolute-maximum-rated conditions for extended periods may affect device reliability.

6.2 ESD Ratings

| | | | VALUE | UNIT | |
|-------------|-------------------------|---|---|------|------|
| $V_{(ESD)}$ | Electrostatic discharge | Human-body model (HBM), per ANSI/ESDA/JEDEC JS-001 | ±2000 | V | |
| | | Charged-device model (CDM), per JEDEC specification JESD22-C101 | Corner pins for PWP (1, 14, 15, and 28) | | ±750 |
| | | | Other pins | | ±500 |

6.3 Recommended Operating Conditions

over operating free-air temperature range (unless otherwise noted)

| | | MIN | MAX | UNIT |
|------------|--|------|--------------------|------|
| V_{VM} | Supply voltage range for normal (DC) operation | 4.5 | 33 | V |
| V_I | Logic level input voltage | 0 | 5.5 | V |
| V_{VREF} | VREF voltage (DRV8424) | 0.05 | 3.3 | V |
| V_{VREF} | VREF voltage (DRV8425) | 0.05 | 2.64 | V |
| f_{STEP} | Applied STEP signal (STEP) | 0 | 500 ⁽¹⁾ | kHz |
| I_{FS} | Motor full-scale current (xOUTx) (DRV8424) | 0 | 2.5 ⁽²⁾ | A |
| I_{FS} | Motor full-scale current (xOUTx) (DRV8425) | 0 | 2 ⁽²⁾ | A |
| I_{rms} | Motor RMS current (xOUTx) (DRV8424) | 0 | 1.8 ⁽²⁾ | A |
| I_{rms} | Motor RMS current (xOUTx) (DRV8425) | 0 | 1.4 ⁽²⁾ | A |
| T_A | Operating ambient temperature | -40 | 125 | °C |
| T_J | Operating junction temperature | -40 | 150 | °C |

- (1) STEP input can operate up to 500 kHz, but system bandwidth is limited by the motor load
(2) Power dissipation and thermal limits must be observed

6.4 Thermal Information

| THERMAL METRIC ⁽¹⁾ | | DRV8424/25 | | UNIT |
|-------------------------------|--|--------------|------------|------|
| | | PWP (HTSSOP) | RGE (VQFN) | |
| | | 28 PINS | 24 PINS | |
| $R_{\theta JA}$ | Junction-to-ambient thermal resistance | 31.0 | 40.7 | °C/W |
| $R_{\theta JC(top)}$ | Junction-to-case (top) thermal resistance | 25.2 | 31.8 | °C/W |
| $R_{\theta JB}$ | Junction-to-board thermal resistance | 10.8 | 17.7 | °C/W |
| ψ_{JT} | Junction-to-top characterization parameter | 0.4 | 0.6 | °C/W |
| ψ_{JB} | Junction-to-board characterization parameter | 10.7 | 17.7 | °C/W |
| $R_{\theta JC(bot)}$ | Junction-to-case (bottom) thermal resistance | 3.3 | 4.7 | °C/W |

- (1) For more information about traditional and new thermal metrics, see the [Semiconductor and IC Package Thermal Metrics application report](#).

6.5 Electrical Characteristics

Typical values are at $T_A = 25^\circ\text{C}$ and $V_{VM} = 24\text{ V}$. All limits are over recommended operating conditions, unless otherwise noted.

| PARAMETER | | TEST CONDITIONS | MIN | TYP | MAX | UNIT |
|--|---------------------------------------|---|------|--------------|------|---------------|
| POWER SUPPLIES (VM, DVDD) | | | | | | |
| I_{VM} | VM operating supply current | ENABLE = 1, nSLEEP = 1, No motor load | | 5 | 6.5 | mA |
| I_{VMQ} | VM sleep mode supply current | nSLEEP = 0 | | 2 | 4 | μA |
| t_{SLEEP} | Sleep time | nSLEEP = 0 to sleep-mode | 120 | | | μs |
| t_{RESET} | nSLEEP reset pulse | nSLEEP low to clear fault | 20 | | 40 | μs |
| t_{WAKE} | Wake-up time | nSLEEP = 1 to output transition | | 0.8 | 1.2 | ms |
| t_{ON} | Turn-on time | VM > UVLO to output transition | | 0.8 | 1.2 | ms |
| t_{EN} | Enable time | ENABLE = 0/1 to output transition | | | 5 | μs |
| V_{DVDD} | Internal regulator voltage | No external load, $6\text{ V} < V_{VM} < 33\text{ V}$ | 4.75 | 5 | 5.25 | V |
| | | No external load, $V_{VM} = 4.5\text{ V}$ | 4.2 | 4.35 | | V |
| CHARGE PUMP (VCP, CPH, CPL) | | | | | | |
| V_{CP} | VCP operating voltage | $6\text{ V} < V_{VM} < 33\text{ V}$ | | $V_{VM} + 5$ | | V |
| $f_{(CP)}$ | Charge pump switching frequency | $V_{VM} > UVLO$; nSLEEP = 1 | | 360 | | kHz |
| LOGIC-LEVEL INPUTS (STEP, DIR, nSLEEP) | | | | | | |
| V_{IL} | Input logic-low voltage | | 0 | | 0.6 | V |
| V_{IH} | Input logic-high voltage | | 1.5 | | 5.5 | V |
| V_{HYS} | Input logic hysteresis | | | 150 | | mV |
| I_{IL} | Input logic-low current | $V_{IN} = 0\text{ V}$ | -1 | | 1 | μA |
| I_{IH} | Input logic-high current | $V_{IN} = 5\text{ V}$ | | | 100 | μA |
| TRI-LEVEL INPUTS (M0, DECAY0, DECAY1, ENABLE) | | | | | | |
| V_{I1} | Input logic-low voltage | Tied to GND | 0 | | 0.6 | V |
| V_{I2} | Input Hi-Z voltage | Hi-Z | 1.8 | 2 | 2.2 | V |
| V_{I3} | Input logic-high voltage | Tied to DVDD | 2.7 | | 5.5 | V |
| I_O | Output pull-up current | | | 10 | | μA |
| QUAD-LEVEL INPUTS (M1, TOFF) | | | | | | |
| V_{I1} | Input logic-low voltage | Tied to GND | 0 | | 0.6 | V |
| V_{I2} | | $330\text{k}\Omega \pm 5\%$ to GND | 1 | 1.25 | 1.4 | V |
| V_{I3} | Input Hi-Z voltage | Hi-Z | 1.8 | 2 | 2.2 | V |
| V_{I4} | Input logic-high voltage | Tied to DVDD | 2.7 | | 5.5 | V |
| I_{IL} | Output pull-up current | | | 10 | | μA |
| CONTROL OUTPUTS (nFAULT) | | | | | | |
| V_{OL} | Output logic-low voltage | $I_O = 5\text{ mA}$ | | | 0.5 | V |
| I_{OH} | Output logic-high leakage | | -1 | | 1 | μA |
| MOTOR DRIVER OUTPUTS (AOUT1, AOUT2, BOUT1, BOUT2) | | | | | | |
| $R_{DS(ONH)}$ | High-side FET on resistance (DRV8424) | $T_J = 25^\circ\text{C}$, $I_O = -1\text{ A}$ | | 165 | 200 | m Ω |
| | | $T_J = 125^\circ\text{C}$, $I_O = -1\text{ A}$ | | 250 | 300 | m Ω |
| | | $T_J = 150^\circ\text{C}$, $I_O = -1\text{ A}$ | | 280 | 350 | m Ω |
| $R_{DS(ONL)}$ | Low-side FET on resistance (DRV8424) | $T_J = 25^\circ\text{C}$, $I_O = 1\text{ A}$ | | 165 | 200 | m Ω |
| | | $T_J = 125^\circ\text{C}$, $I_O = 1\text{ A}$ | | 250 | 300 | m Ω |
| | | $T_J = 150^\circ\text{C}$, $I_O = 1\text{ A}$ | | 280 | 350 | m Ω |

Typical values are at $T_A = 25^\circ\text{C}$ and $V_{VM} = 24\text{ V}$. All limits are over recommended operating conditions, unless otherwise noted.

| PARAMETER | | TEST CONDITIONS | MIN | TYP | MAX | UNIT |
|-----------------------------------|---------------------------------------|--|-------|--------------|-------|------------------|
| $R_{DS(OH)}$ | High-side FET on resistance (DRV8425) | $T_J = 25^\circ\text{C}, I_O = -1\text{ A}$ | | 275 | 330 | m Ω |
| | | $T_J = 125^\circ\text{C}, I_O = -1\text{ A}$ | | 410 | 500 | m Ω |
| | | $T_J = 150^\circ\text{C}, I_O = -1\text{ A}$ | | 460 | 580 | m Ω |
| $R_{DS(OL)}$ | Low-side FET on resistance (DRV8425) | $T_J = 25^\circ\text{C}, I_O = 1\text{ A}$ | | 275 | 330 | m Ω |
| | | $T_J = 125^\circ\text{C}, I_O = 1\text{ A}$ | | 410 | 500 | m Ω |
| | | $T_J = 150^\circ\text{C}, I_O = 1\text{ A}$ | | 460 | 580 | m Ω |
| t_{SR} | Output slew rate | $V_{VM} = 24\text{ V}, I_O = 1\text{ A}$, Between 10% and 90% | | 240 | | V/ μs |
| PWM CURRENT CONTROL (VREF) | | | | | | |
| K_V | Transimpedance gain | $V_{REF} = 3.3\text{ V}$ | 1.254 | 1.32 | 1.386 | V/A |
| I_{VREF} | VREF Leakage Current | $V_{REF} = 3.3\text{ V}$ | | | 8.25 | μA |
| t_{OFF} | PWM off-time | TOFF = 0 | | 7 | | μs |
| | | TOFF = 1 | | 16 | | |
| | | TOFF = Hi-Z | | 24 | | |
| | | TOFF = 330 k Ω to GND | | 32 | | |
| ΔI_{TRIP} | Current trip accuracy | $I_O = 2.5\text{ A}$, 10% to 20% current setting | -8 | | 12 | % |
| | | $I_O = 2.5\text{ A}$, 20% to 40% current setting | -7 | | 7 | |
| | | $I_O = 2.5\text{ A}$, 40% to 100% current setting | -5 | | 5 | |
| $I_{O,CH}$ | AOUT and BOUT current matching | $I_O = 2.5\text{ A}$ | -2.5 | | 2.5 | % |
| PROTECTION CIRCUITS | | | | | | |
| V_{UVLO} | VM UVLO lockout | VM falling, UVLO falling | 4.1 | 4.25 | 4.35 | V |
| | | VM rising, UVLO rising | 4.2 | 4.35 | 4.45 | |
| $V_{UVLO,HYS}$ | Undervoltage hysteresis | Rising to falling threshold | | 100 | | mV |
| V_{CPUV} | Charge pump undervoltage | VCP falling; CPUV report | | $V_{VM} + 2$ | | V |
| I_{OCP} | Overcurrent protection | Current through any FET, DRV8424 | 4 | | | A |
| I_{OCP} | Overcurrent protection | Current through any FET, DRV8425 | 3.2 | | | A |
| t_{OCP} | Overcurrent deglitch time | | | 1.8 | | μs |
| t_{RETRY} | Overcurrent retry time | | | 4 | | ms |
| T_{OTSD} | Thermal shutdown | Die temperature T_J | 150 | 165 | 180 | $^\circ\text{C}$ |
| T_{HYS_OTSD} | Thermal shutdown hysteresis | Die temperature T_J | | 20 | | $^\circ\text{C}$ |

6.6 Indexer Timing Requirements

Typical limits are at $T_J = 25^\circ\text{C}$ and $V_{VM} = 24\text{ V}$. Over recommended operating conditions unless otherwise noted.

| NO. | | | MIN | MAX | UNIT |
|-----|-------------------|---|-----|--------------------|------|
| 1 | f_{STEP} | Step frequency | | 500 ⁽¹⁾ | kHz |
| 2 | $t_{WH(STEP)}$ | Pulse duration, STEP high | 970 | | ns |
| 3 | $t_{WL(STEP)}$ | Pulse duration, STEP low | 970 | | ns |
| 4 | $t_{SU(DIR, Mx)}$ | Setup time, DIR or MODEx to STEP rising | 200 | | ns |
| 5 | $t_{H(DIR, Mx)}$ | Hold time, STEP rising to DIR or MODEx change | 200 | | ns |

(1) STEP input can operate up to 500 kHz, but system bandwidth is limited by the motor load.

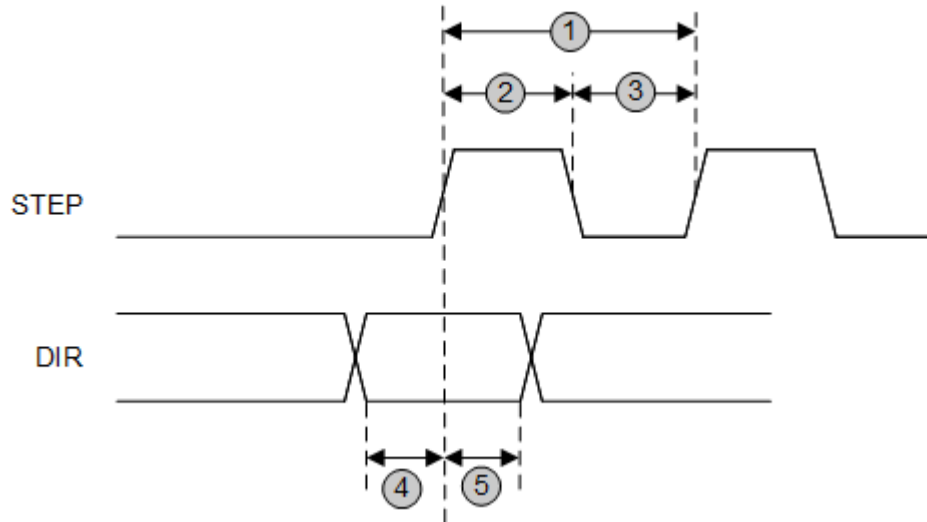


Figure 6-1. STEP and DIR Timing Diagram

6.7 Typical Characteristics

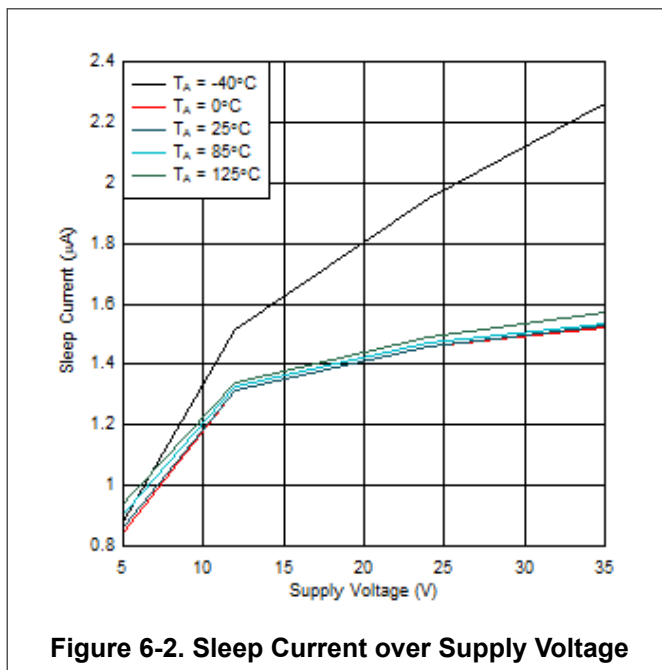


Figure 6-2. Sleep Current over Supply Voltage

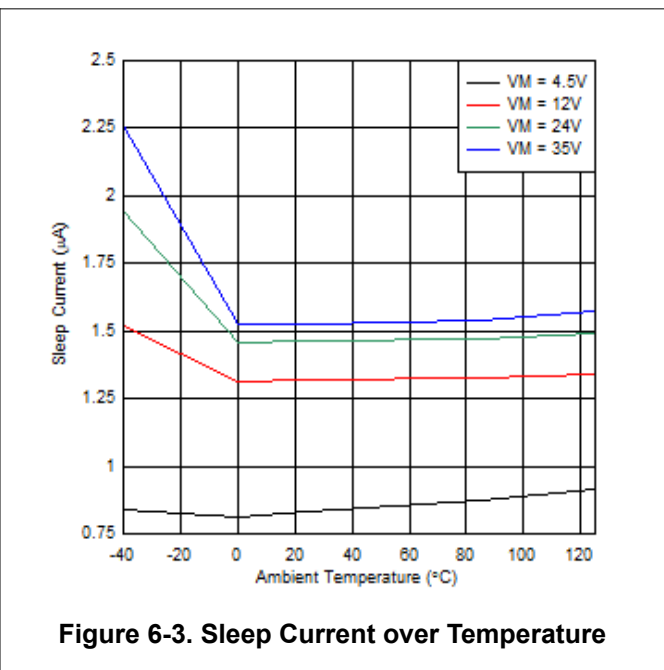


Figure 6-3. Sleep Current over Temperature

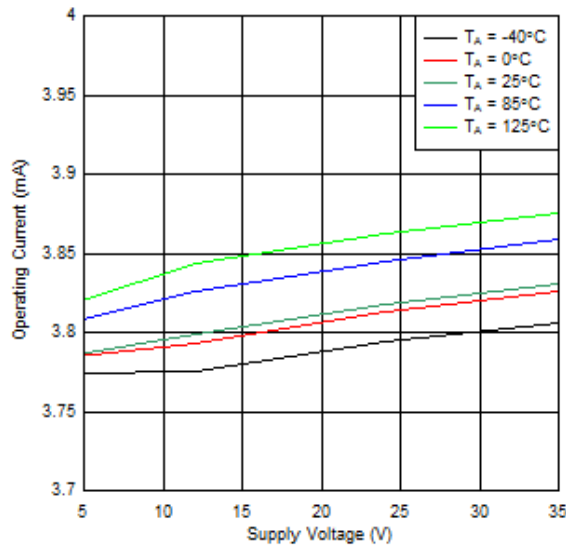


Figure 6-4. Operating Current over Supply Voltage

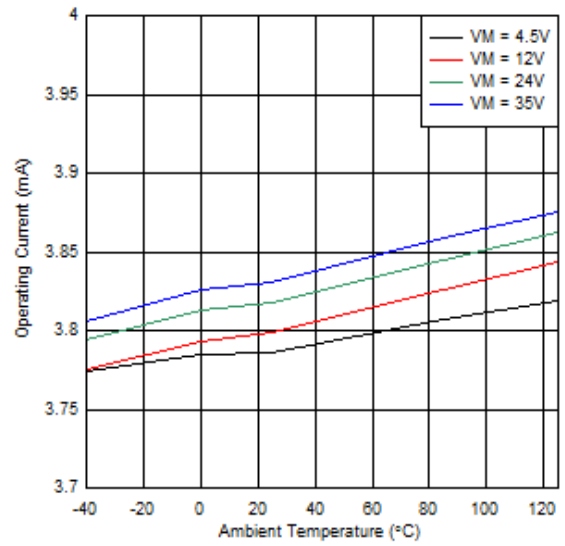


Figure 6-5. Operating Current over Temperature

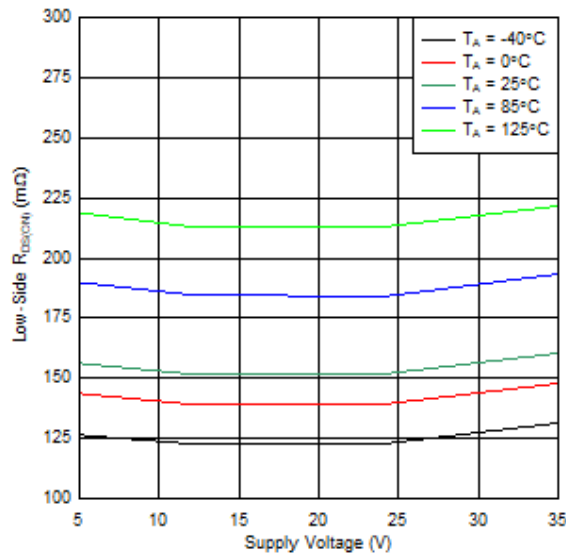


Figure 6-6. Low-Side $R_{DS(ON)}$ over Supply Voltage

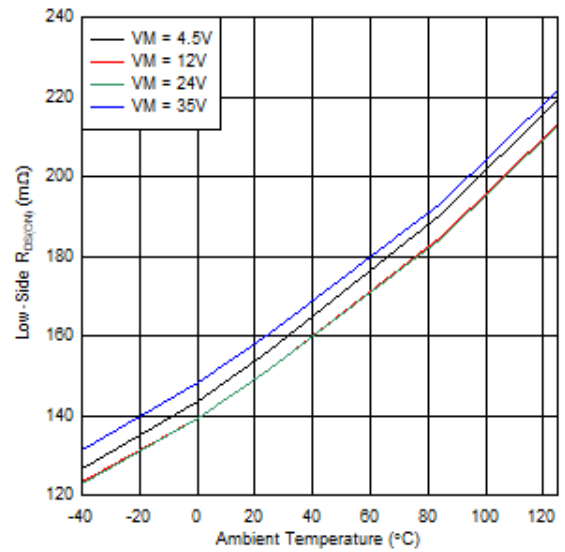


Figure 6-7. Low-Side $R_{DS(ON)}$ over Temperature

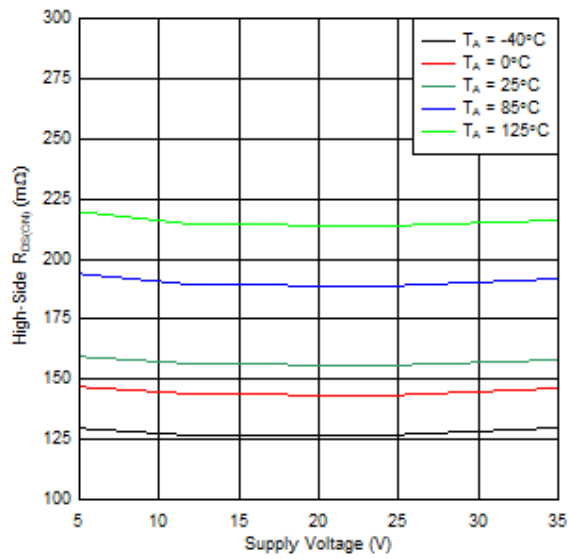


Figure 6-8. High-Side $R_{DS(ON)}$ over Supply Voltage

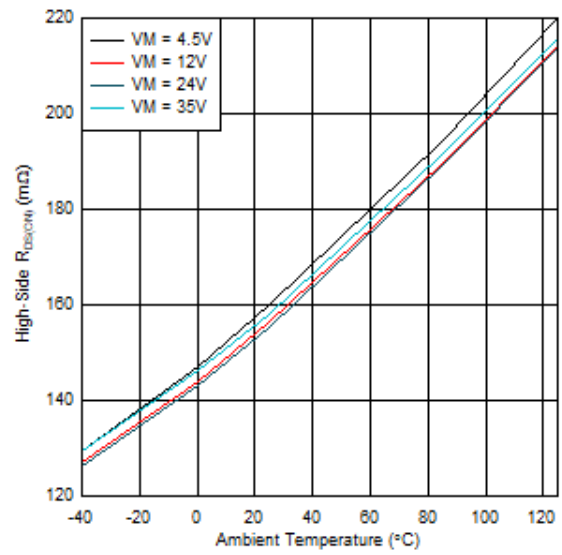


Figure 6-9. High-Side $R_{DS(ON)}$ over Temperature

7 Detailed Description

7.1 Overview

The DRV8424/25 devices are integrated motor-driver solutions for bipolar stepper motors. The devices provide the maximum integration by integrating two N-channel power MOSFET H-bridges, current sense resistors and regulation circuitry, and a microstepping indexer. The DRV8424 and DRV8425 are pin-to-pin compatible with the [DRV8426](#), [DRV8436](#), and the [DRV8434](#). The DRV8424 and DRV8425 are capable of supporting wide supply voltage of 4.5 to 33 V. DRV8424 provides an output current up to 4-A peak, 2.5-A full-scale, or 1.8-A root mean square (rms), while the DRV8425 provides an output current up to 3.2-A peak, 2-A full-scale, or 1.4-A root mean square (rms). The actual full-scale and rms current depends on the ambient temperature, supply voltage, and PCB thermal capability.

The DRV8424/25 devices use an integrated current-sense architecture which eliminates the need for two external power sense resistors, hence saving significant board space, BOM cost, design efforts and reduces significant power consumption. This architecture removes the power dissipated in the sense resistors by using a current mirror approach and using the internal power MOSFETs for current sensing. The current regulation set point is adjusted by the voltage at the VREF pin.

A simple STEP/DIR interface allows for an external controller to manage the direction and step rate of the stepper motor. The internal microstepping indexer can execute high-accuracy micro-stepping without requiring the external controller to manage the winding current level. The indexer is capable of full step, half step, and 1/4, 1/8, 1/16, 1/32, 1/64, 1/128, and 1/256 microstepping. High microstepping contributes to significant audible noise reduction and smooth motion. In addition to a standard half stepping mode, a noncircular half stepping mode is available for increased torque output at higher motor RPM.

Stepper motor drivers need to re-circulate the winding current by implementing several types of decay modes, like slow decay, mixed decay and fast decay. The DRV8424/25 comes with smart tune decay modes. The smart tune is an innovative decay mechanism that automatically adjusts for optimal current regulation performance agnostic of voltage, motor speed, variation and aging effects. Smart tune Ripple Control uses a variable off-time, ripple current control scheme to minimize distortion of the motor winding current. Smart tune Dynamic Decay uses a fixed off-time, dynamic fast decay percentage scheme to minimize distortion of the motor winding current while minimizing frequency content and significantly reducing design efforts. Along with this seamless, effortless automatic smart tune, DRV8424/25 also provides the traditional decay modes like slow-mixed and mixed decay as well.

A low-power sleep mode is included which allows the system to save power when not actively driving the motor.

7.2 Functional Block Diagram

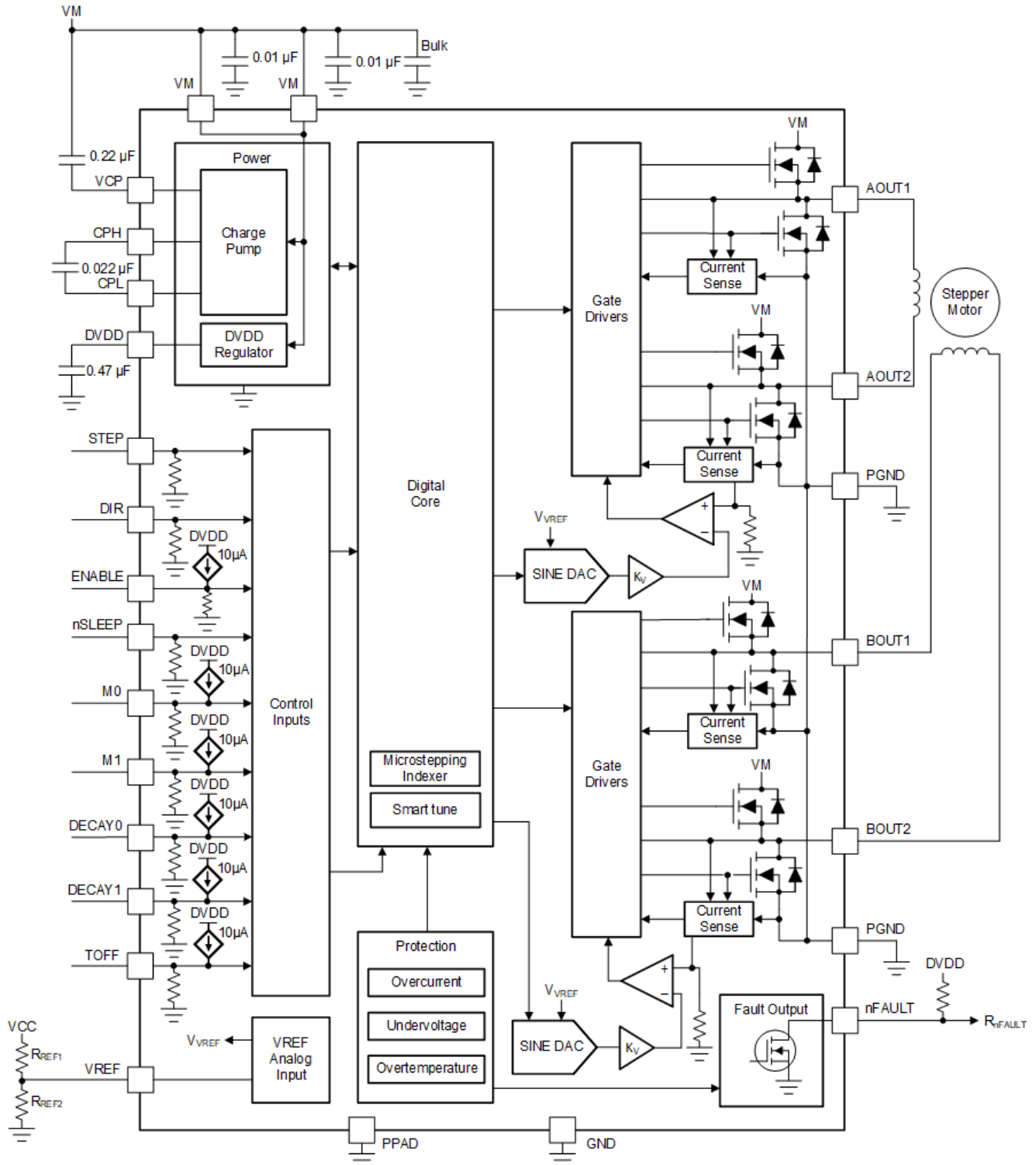


Figure 7-1.

7.3 Feature Description

Table 7-1 lists the recommended external components for the DRV8424/25 devices.

Table 7-1. DRV8424/25 External Components

| COMPONENT | PIN 1 | PIN 2 | RECOMMENDED |
|------------------------------|--------------------|--------|--|
| C _{VM1} | VM | PGND | Two X7R, 0.01-μF, VM-rated ceramic capacitors |
| C _{VM2} | VM | PGND | Bulk, VM-rated capacitor |
| C _{CP} | VCP | VM | X7R, 0.22-μF, 16-V ceramic capacitor |
| C _{SW} | CPH | CPL | X7R, 0.022-μF, VM-rated ceramic capacitor |
| C _{DVDD} | DVDD | GND | X7R, 0.47-μF to 1-μF, 6.3-V ceramic capacitor |
| R _{nFAULT} | VCC ⁽¹⁾ | nFAULT | >4.7-kΩ resistor |
| R _{REF1} | VREF | VCC | Resistor to limit chopping current. It is recommended that the value of parallel combination of R _{REF1} and R _{REF2} should be less than 50-kΩ. |
| R _{REF2} (Optional) | VREF | GND | |

(1) VCC is not a pin on the DRV8424/25 device, but a VCC supply voltage pullup is required for open-drain output nFAULT; nFAULT may be pulled up to DVDD.

7.3.1 Stepper Motor Driver Current Ratings

Stepper motor drivers can be classified using three different numbers to describe the output current: peak, RMS, and full-scale.

7.3.1.1 Peak Current Rating

The peak current in a stepper driver is limited by the overcurrent protection trip threshold I_{OCP}. The peak current describes any transient duration current pulse, for example when charging capacitance, when the overall duty cycle is very low. In general the minimum value of I_{OCP} specifies the peak current rating of the stepper motor driver. For the DRV8424, the peak current rating is 4A per bridge; and for the DRV8425, the peak current rating is 3.2A per bridge.

7.3.1.2 RMS Current Rating

The RMS (average) current is determined by the thermal considerations of the IC. The RMS current is calculated based on the R_{DS(ON)}, rise and fall time, PWM frequency, device quiescent current, and package thermal performance in a typical system at 25°C. The actual operating RMS current may be higher or lower depending on heatsinking and ambient temperature. For the DRV8424, the rms current rating is 1.75A per bridge; and for the DRV8425, the RMS current rating is 1.4A per bridge.

7.3.1.3 Full-Scale Current Rating

The full-scale current describes the top of the sinusoid current waveform while microstepping. Because the sinusoid amplitude is related to the RMS current, the full-scale current is also determined by the thermal considerations of the device. The full-scale current rating is approximately $\sqrt{2} \times I_{RMS}$ for a sinusoidal current waveform, and I_{RMS} for a square wave current waveform (full step).

Table 7-2. Current Ratings

| | DRV8424 | DRV8425 |
|---------------------------|---------|---------|
| Peak Current Rating | 4 A | 3.2 A |
| RMS Current Rating | 1.8 A | 1.4 A |
| Full-Scale Current Rating | 2.5 A | 2 A |

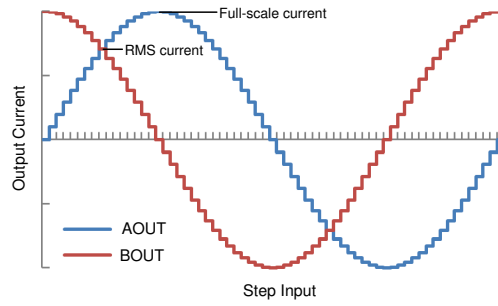


Figure 7-2. Full-Scale and RMS Current

7.3.2 PWM Motor Drivers

The DRV8424/25 devices have drivers for two full H-bridges to drive the two windings of a bipolar stepper motor. Figure 7-3 shows a block diagram of the circuitry.

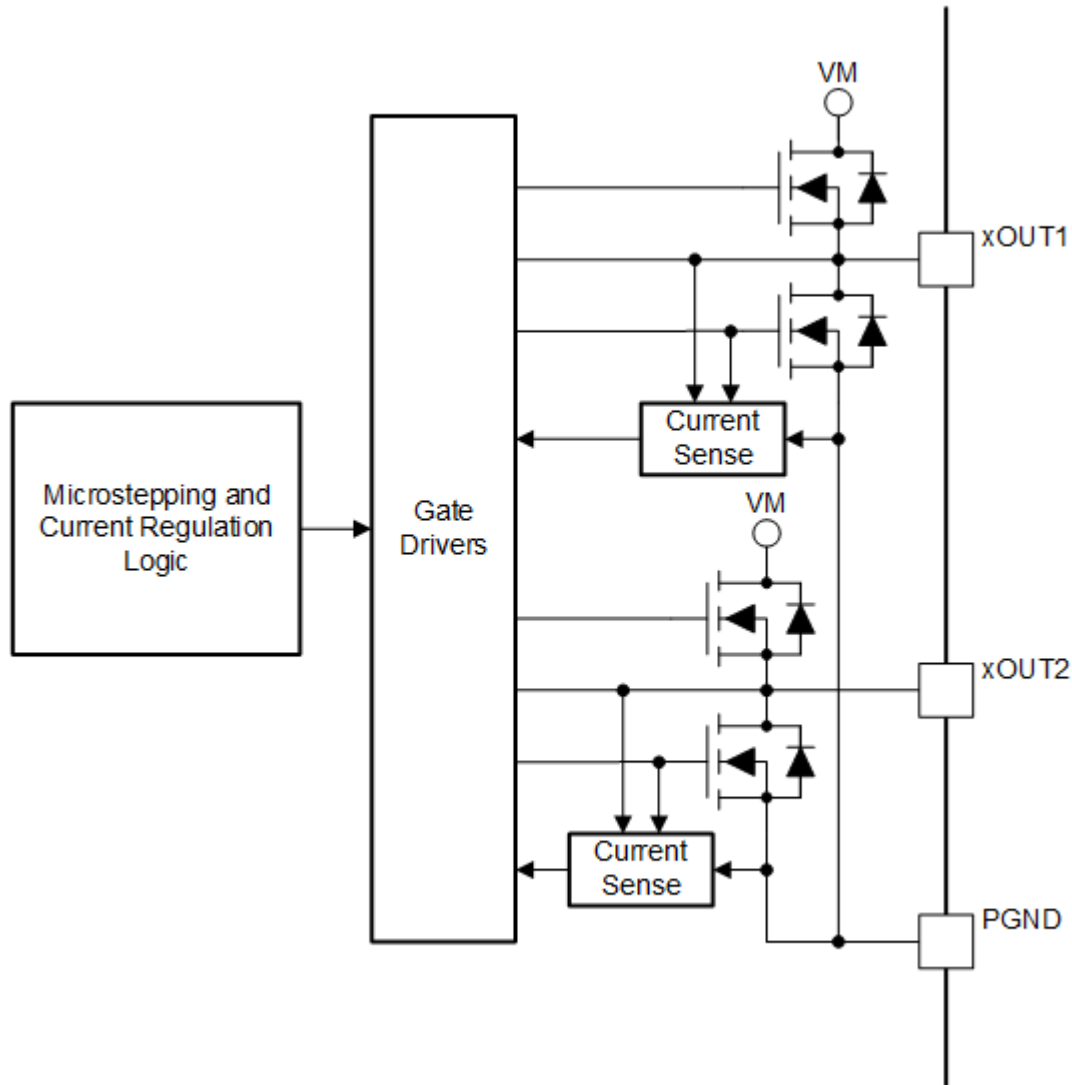


Figure 7-3. PWM Motor Driver Block Diagram

7.3.3 Microstepping Indexer

Built-in indexer logic in the DRV8424/25 devices allow a number of different step modes. The M0 and M1 pins are used to configure the step mode as shown in Table 7-3. The settings can be changed on the fly.

Table 7-3. Microstepping Indexer Settings

| MODE0 | MODE1 | STEP MODE |
|-------|--------------|--|
| 0 | 0 | Full step (2-phase excitation) with 100% current |
| 0 | 330kΩ to GND | Full step (2-phase excitation) with 71% current |
| 1 | 0 | Non-circular 1/2 step |
| Hi-Z | 0 | 1/2 step |
| 0 | 1 | 1/4 step |
| 1 | 1 | 1/8 step |

**Table 7-3. Microstepping Indexer Settings
(continued)**

| MODE0 | MODE1 | STEP MODE |
|-------|--------------|------------|
| Hi-Z | 1 | 1/16 step |
| 0 | Hi-Z | 1/32 step |
| Hi-Z | 330kΩ to GND | 1/64 step |
| Hi-Z | Hi-Z | 1/128 step |
| 1 | Hi-Z | 1/256 step |

Table 7-4 shows the relative current and step directions for full-step (71% current), 1/2 step, 1/4 step and 1/8 step operation. Higher microstepping resolutions follow the same pattern. The AOUT current is the sine of the electrical angle and the BOUT current is the cosine of the electrical angle. Positive current is defined as current flowing from the xOUT1 pin to the xOUT2 pin while driving.

At each rising edge of the STEP input the indexer travels to the next state in the table. The direction is shown with the DIR pin logic high. If the DIR pin is logic low, the sequence is reversed.

Note

If the step mode is changed on the fly while stepping, the indexer advances to the next valid state for the new step mode setting at the rising edge of STEP.

The initial excitation state is an electrical angle of 45°, corresponding to 71% of full-scale current in both coils. This state is entered after power-up, after exiting logic undervoltage lockout, or after exiting sleep mode.

Table 7-4. Relative Current and Step Directions

| 1/8 STEP | 1/4 STEP | 1/2 STEP | FULL STEP 71% | AOUT CURRENT (% FULL-SCALE) | BOUT CURRENT (% FULL-SCALE) | ELECTRICAL ANGLE (DEGREES) |
|----------|----------|----------|------------------|--------------------------------|--------------------------------|-------------------------------|
| 1 | 1 | 1 | | 0% | 100% | 0.00 |
| 2 | | | | 20% | 98% | 11.25 |
| 3 | 2 | | | 38% | 92% | 22.50 |
| 4 | | | | 56% | 83% | 33.75 |
| 5 | 3 | 2 | 1 | 71% | 71% | 45.00 |
| 6 | | | | 83% | 56% | 56.25 |
| 7 | 4 | | | 92% | 38% | 67.50 |
| 8 | | | | 98% | 20% | 78.75 |
| 9 | 5 | 3 | | 100% | 0% | 90.00 |
| 10 | | | | 98% | -20% | 101.25 |
| 11 | 6 | | | 92% | -38% | 112.50 |
| 12 | | | | 83% | -56% | 123.75 |
| 13 | 7 | 4 | 2 | 71% | -71% | 135.00 |
| 14 | | | | 56% | -83% | 146.25 |
| 15 | 8 | | | 38% | -92% | 157.50 |
| 16 | | | | 20% | -98% | 168.75 |
| 17 | 9 | 5 | | 0% | -100% | 180.00 |
| 18 | | | | -20% | -98% | 191.25 |
| 19 | 10 | | | -38% | -92% | 202.50 |
| 20 | | | | -56% | -83% | 213.75 |
| 21 | 11 | 6 | 3 | -71% | -71% | 225.00 |
| 22 | | | | -83% | -56% | 236.25 |

Table 7-4. Relative Current and Step Directions (continued)

| 1/8 STEP | 1/4 STEP | 1/2 STEP | FULL STEP 71% | AOUT CURRENT (% FULL-SCALE) | BOUT CURRENT (% FULL-SCALE) | ELECTRICAL ANGLE (DEGREES) |
|----------|----------|----------|------------------|--------------------------------|--------------------------------|-------------------------------|
| 23 | 12 | | | -92% | -38% | 247.50 |
| 24 | | | | -98% | -20% | 258.75 |
| 25 | 13 | 7 | | -100% | 0% | 270.00 |
| 26 | | | | -98% | 20% | 281.25 |
| 27 | 14 | | | -92% | 38% | 292.50 |
| 28 | | | | -83% | 56% | 303.75 |
| 29 | 15 | 8 | 4 | -71% | 71% | 315.00 |
| 30 | | | | -56% | 83% | 326.25 |
| 31 | 16 | | | -38% | 92% | 337.50 |
| 32 | | | | -20% | 98% | 348.75 |

Table 7-5 shows the full step operation with 100% full-scale current. This stepping mode consumes more power than full-step mode with 71% current, but provides a higher torque at high motor RPM.

Table 7-5. Full Step with 100% Current

| FULL STEP 100% | AOUT CURRENT (% FULL-SCALE) | BOUT CURRENT (% FULL-SCALE) | ELECTRICAL ANGLE (DEGREES) |
|-------------------|--------------------------------|--------------------------------|-------------------------------|
| 1 | 100 | 100 | 45 |
| 2 | -100 | 100 | 135 |
| 3 | -100 | -100 | 225 |
| 4 | 100 | -100 | 315 |

Table 7-6 shows the noncircular 1/2-step operation. This stepping mode consumes more power than circular 1/2-step operation, but provides a higher torque at high motor RPM.

Table 7-6. Non-Circular 1/2-Stepping Current

| NON-CIRCULAR 1/2-STEP | AOUT CURRENT (% FULL-SCALE) | BOUT CURRENT (% FULL-SCALE) | ELECTRICAL ANGLE (DEGREES) |
|-----------------------|--------------------------------|--------------------------------|-------------------------------|
| 1 | 0 | 100 | 0 |
| 2 | 100 | 100 | 45 |
| 3 | 100 | 0 | 90 |
| 4 | 100 | -100 | 135 |
| 5 | 0 | -100 | 180 |
| 6 | -100 | -100 | 225 |
| 7 | -100 | 0 | 270 |
| 8 | -100 | 100 | 315 |

7.3.4 Controlling VREF with an MCU DAC

In some cases, the full-scale output current may need to be changed between many different values, depending on motor speed and loading. The voltage of the VREF pin can be adjusted in the system to change the full-scale current.

In this mode of operation, as the DAC voltage increases, the full-scale regulation current increases as well. For proper operation, the output of the DAC should not rise above 3.3V for DRV8424 and 2.64V for DRV8425.

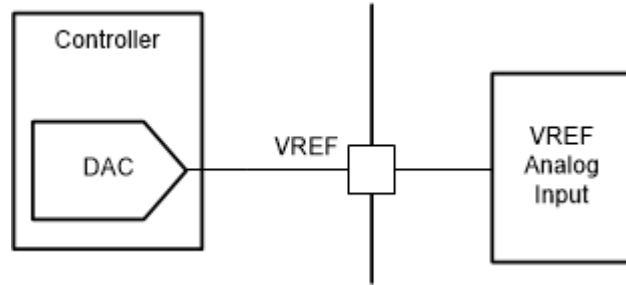


Figure 7-4. Controlling VREF with a DAC Resource

The VREF pin can also be adjusted using a PWM signal and low-pass filter.

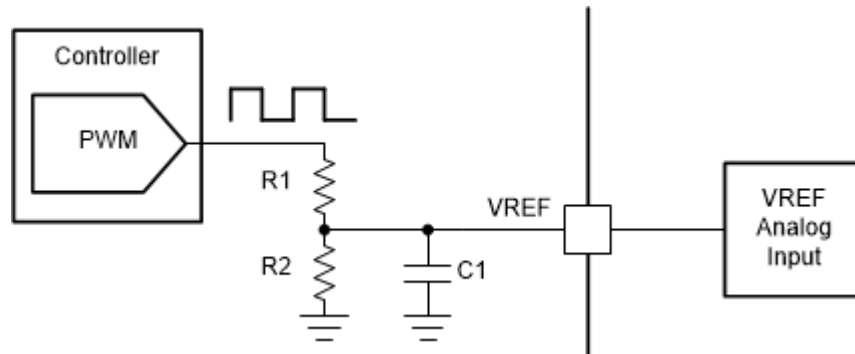


Figure 7-5. Controlling VREF With a PWM Resource

7.3.5 Current Regulation

The current through the motor windings is regulated by an adjustable, off-time PWM current-regulation circuit. When an H-bridge is enabled, current rises through the winding at a rate dependent on the DC voltage, inductance of the winding, and the magnitude of the back EMF present. When the current hits the current regulation threshold, the bridge enters a decay mode for a period of time determined by the TOFF pin setting to decrease the current. After the off-time expires, the bridge is re-enabled, starting another PWM cycle.

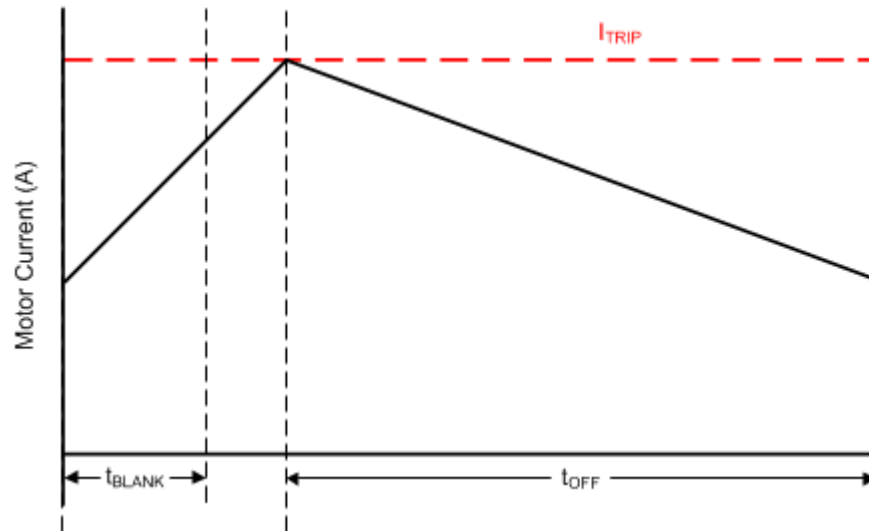


Figure 7-6. Current Chopping Waveform

The PWM regulation current is set by a comparator which monitors the voltage across the current sense MOSFETs in parallel with the low-side power MOSFETs. The current sense MOSFETs are biased with a reference current that is the output of a current-mode sine-weighted DAC whose full-scale reference current is set by the voltage at the VREF pin.

The full-scale regulation current (I_{FS}) can be calculated as $I_{FS} (A) = V_{REF} (V) / K_V (V/A) = V_{REF} (V) / 1.32 (V/A)$.

7.3.6 Decay Modes

During PWM current chopping, the H-bridge is enabled to drive through the motor winding until the PWM current chopping threshold is reached. This is shown in Figure 7-7, Item 1.

Once the chopping current threshold is reached, the H-bridge can operate in two different states, fast decay or slow decay. In fast decay mode, once the PWM chopping current level has been reached, the H-bridge reverses state to allow winding current to flow in a reverse direction. The opposite FETs are turned on; as the winding current approaches zero, the bridge is disabled to prevent any reverse current flow. Fast decay mode is shown in Figure 7-7, item 2. In slow decay mode, winding current is re-circulated by enabling both of the low-side FETs in the bridge. This is shown in Figure 7-7, Item 3.

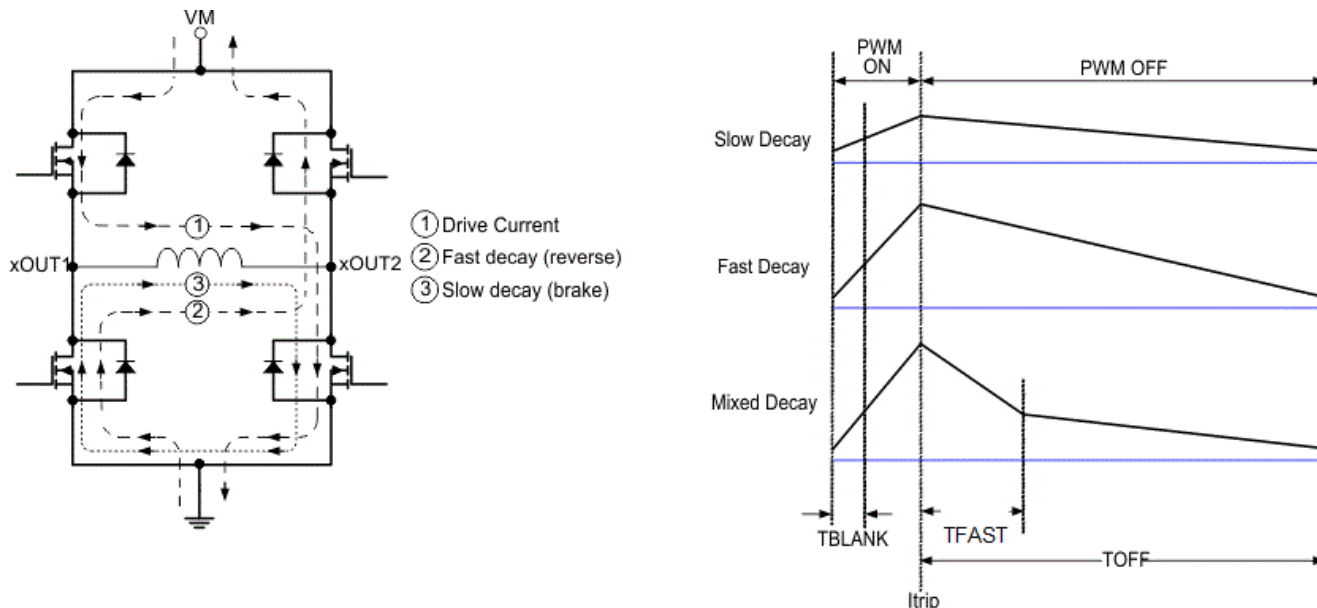


Figure 7-7. Decay Modes

The decay mode of the DRV8424/25 is selected by the DECAY0 and DECAY1 pins as shown in Table 7-7. If DECAY1 pin is Hi-Z, irrespective of the DECAY0 pin voltage, the decay mode will be smart tune dynamic decay. The decay modes can be changed on the fly. After a decay mode change, the new decay mode is applied after a 10 µs de-glitch time.

Table 7-7. Decay Mode Settings

| DECAY0 | DECAY1 | INCREASING STEPS | DECREASING STEPS |
|--------|--------|---------------------------|---------------------------|
| 0 | 0 | Smart tune Dynamic Decay | Smart tune Dynamic Decay |
| 0 | 1 | Smart tune Ripple Control | Smart tune Ripple Control |
| 1 | 0 | Mixed decay: 30% fast | Mixed decay: 30% fast |
| 1 | 1 | Slow decay | Mixed decay: 30% fast |
| Hi-Z | 0 | Mixed decay: 60% fast | Mixed decay: 60% fast |
| Hi-Z | 1 | Slow decay | Slow decay |

Figure 7-8 defines increasing and decreasing current. For the slow-mixed decay mode, the decay mode is set as slow during increasing current steps and mixed decay during decreasing current steps. In full step and noncircular 1/2-step operation, the decay mode corresponding to decreasing steps is always used.

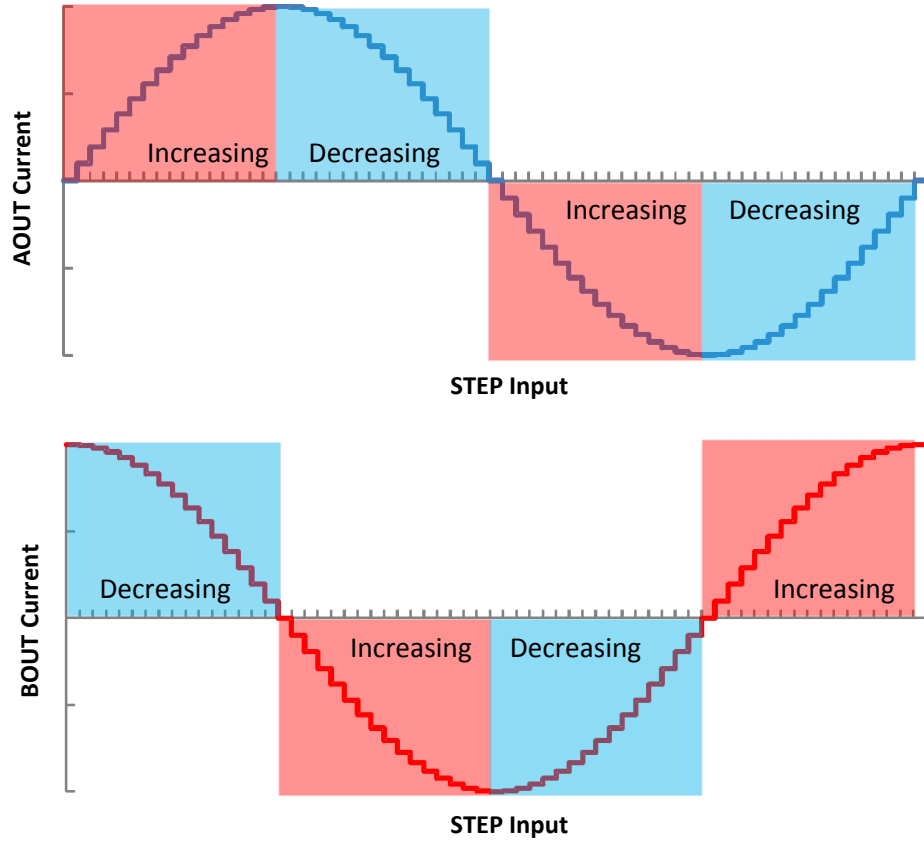


Figure 7-8. Definition of Increasing and Decreasing Steps

7.3.6.1 Slow Decay for Increasing and Decreasing Current

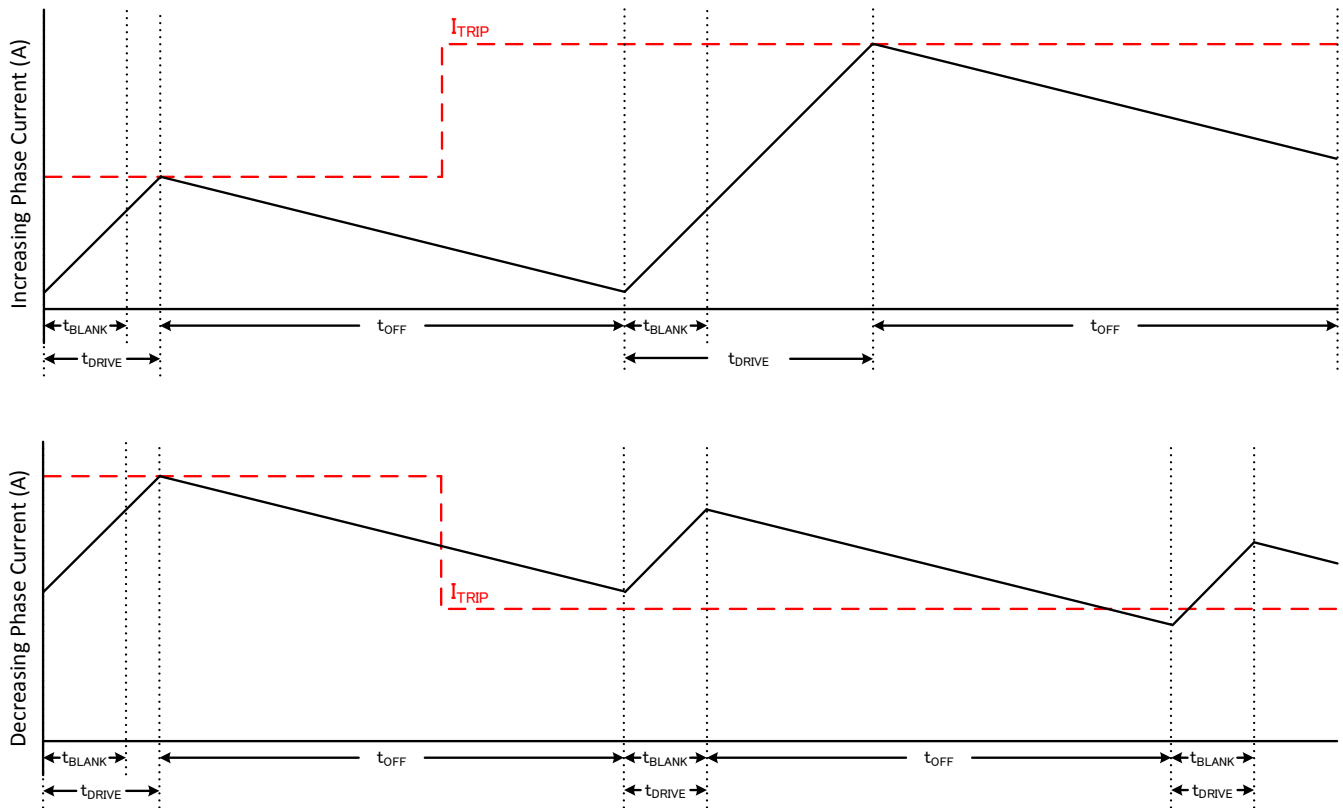


Figure 7-9. Slow/Slow Decay Mode

During slow decay, both of the low-side FETs of the H-bridge are turned on, allowing the current to be recirculated.

Slow decay exhibits the least current ripple of the decay modes for a given t_{OFF} . However on decreasing current steps, slow decay will take a long time to settle to the new I_{TRIP} level because the current decreases very slowly.

In cases where current is held for a long time (no input in the STEP pin) or at very low stepping speeds, slow decay may not properly regulate current because no back-EMF is present across the motor windings. In this state, motor current can rise very quickly, and may require a large off-time. In some cases this may cause a loss of current regulation, and a more aggressive decay mode is recommended.

7.3.6.2 Slow Decay for Increasing Current, Mixed Decay for Decreasing Current

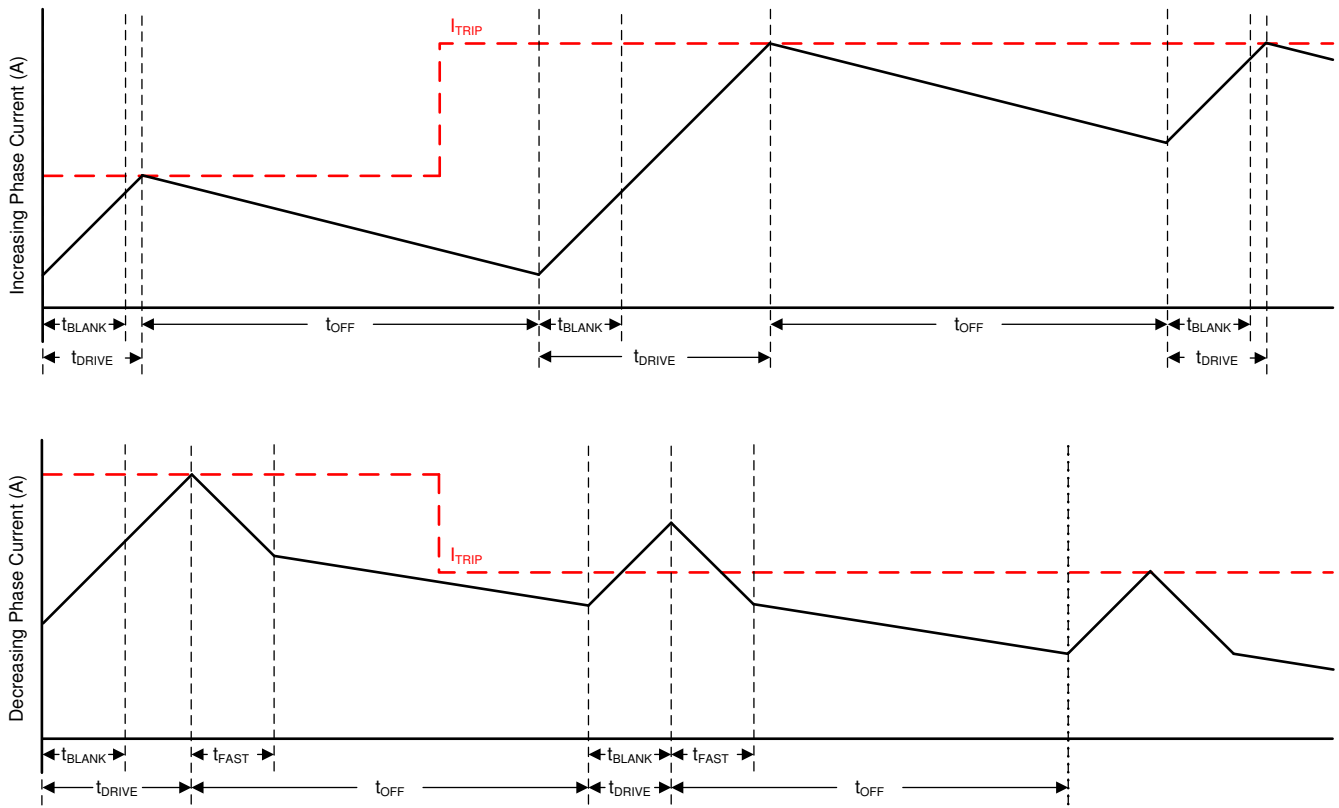


Figure 7-10. Slow-Mixed Decay Mode

Mixed decay begins as fast decay for a time, followed by slow decay for the remainder of the t_{OFF} time. In this mode, mixed decay only occurs during decreasing current. Slow decay is used for increasing current.

This mode exhibits the same current ripple as slow decay for increasing current, because for increasing current, only slow decay is used. For decreasing current, the ripple is larger than slow decay, but smaller than fast decay. On decreasing current steps, mixed decay settles to the new I_{TRIP} level faster than slow decay.

7.3.6.3 Mixed Decay for Increasing and Decreasing Current

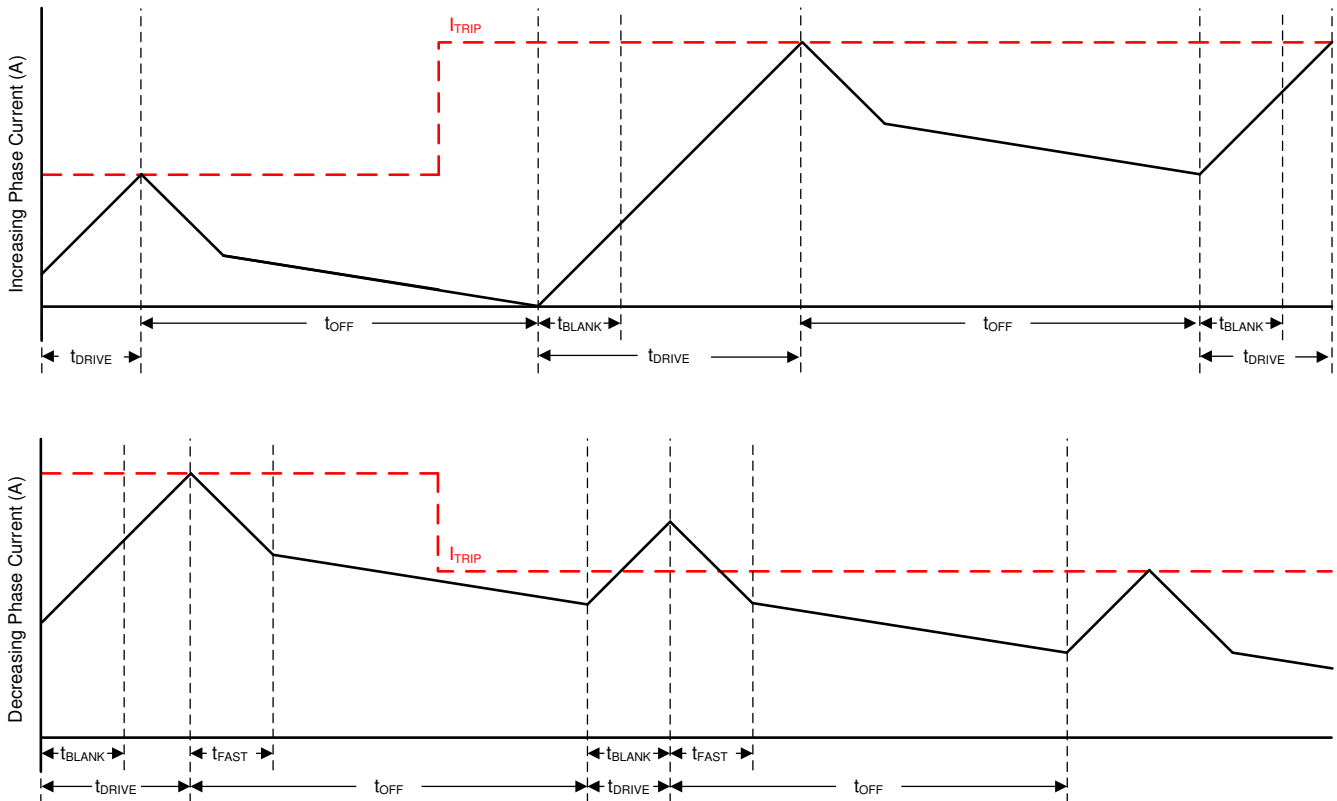


Figure 7-11. Mixed-Mixed Decay Mode

Mixed decay begins as fast decay for a time, followed by slow decay for the remainder of t_{OFF} . In this mode, mixed decay occurs for both increasing and decreasing current steps.

This mode exhibits ripple larger than slow decay, but smaller than fast decay. On decreasing current steps, mixed decay settles to the new I_{TRIP} level faster than slow decay.

In cases where current is held for a long time (no input in the STEP pin) or at very low stepping speeds, slow decay may not properly regulate current because no back-EMF is present across the motor windings. In this state, motor current can rise very quickly, and requires an excessively large off-time. Increasing or decreasing mixed decay mode allows the current level to stay in regulation when no back-EMF is present across the motor windings.

7.3.6.4 Smart tune Dynamic Decay

The smart tune current regulation schemes are advanced current-regulation control methods compared to traditional fixed off-time current regulation schemes. Smart tune current regulation schemes help the stepper motor driver adjust the decay scheme based on operating factors such as the ones listed as follows:

- Motor winding resistance and inductance
- Motor aging effects
- Motor dynamic speed and load
- Motor supply voltage variation
- Motor back-EMF difference on rising and falling steps
- Step transitions
- Low-current versus high-current di/dt

The device provides two different smart tune current regulation modes, named smart tune Dynamic Decay and smart tune Ripple Control.

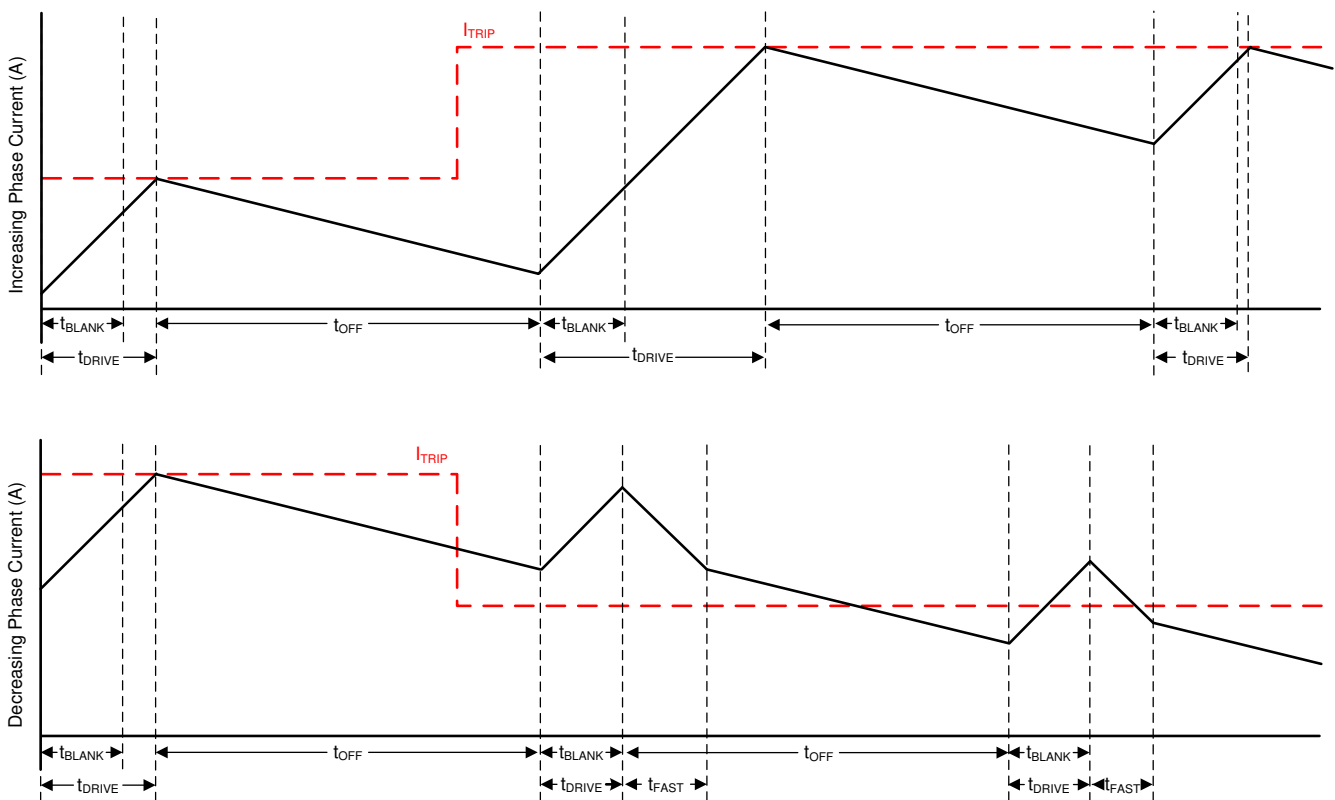


Figure 7-12. Smart tune Dynamic Decay Mode

Smart tune Dynamic Decay greatly simplifies the decay mode selection by automatically configuring the decay mode between slow, mixed, and fast decay. In mixed decay, smart tune dynamically adjusts the fast decay percentage of the total mixed decay time. This feature eliminates motor tuning by automatically determining the best decay setting that results in the lowest ripple for the motor.

The decay mode setting is optimized iteratively each PWM cycle. If the motor current overshoots the target trip level, then the decay mode becomes more aggressive (add fast decay percentage) on the next cycle to prevent regulation loss. If a long drive time must occur to reach the target trip level, the decay mode becomes less aggressive (remove fast decay percentage) on the next cycle to operate with less ripple and more efficiently. On falling steps, smart tune Dynamic Decay automatically switches to fast decay to reach the next step quickly.

Smart tune Dynamic Decay is optimal for applications that require minimal current ripple but want to maintain a fixed frequency in the current regulation scheme.

7.3.6.5 Smart tune Ripple Control

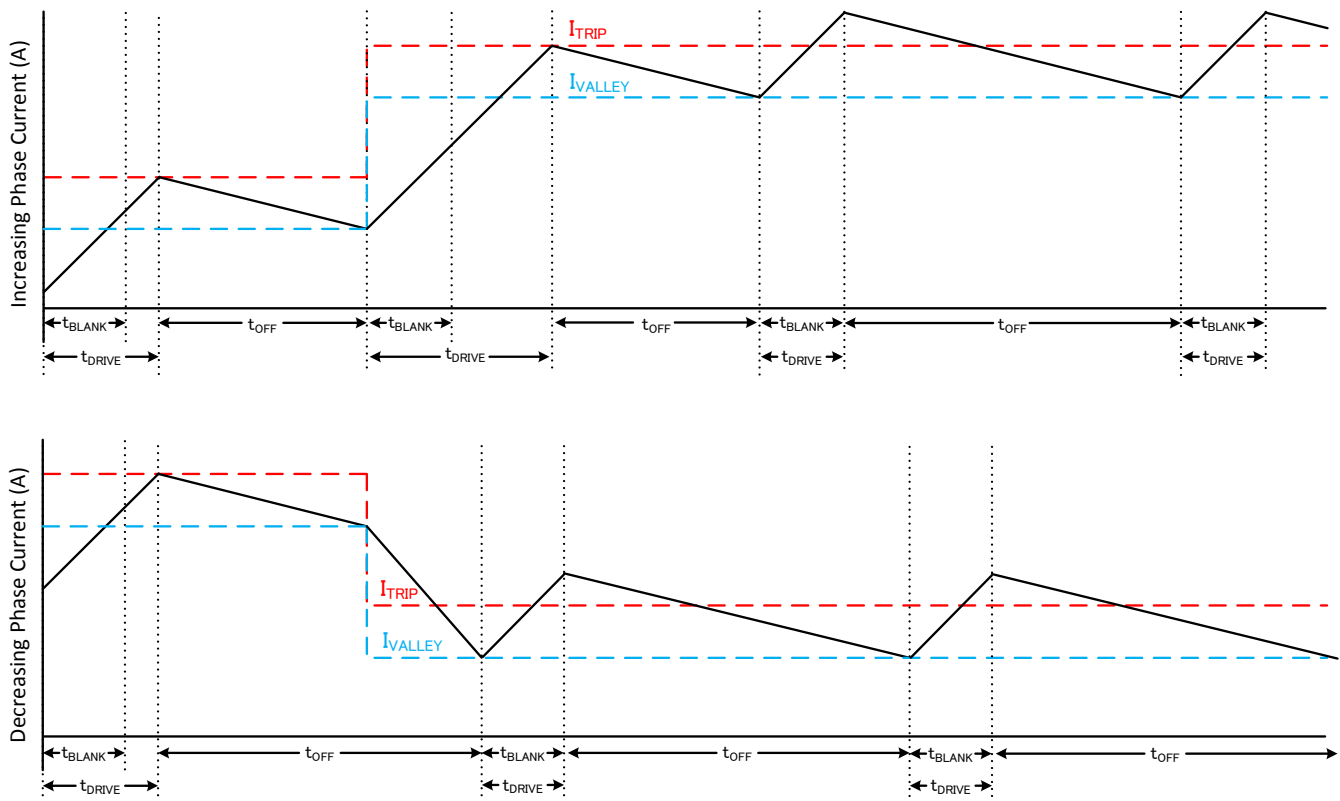


Figure 7-13. Smart tune Ripple Control Decay Mode

Smart tune Ripple Control operates by setting an I_{VALLEY} level alongside the I_{TRIP} level. When the current level reaches I_{TRIP} , instead of entering slow decay until the t_{OFF} time expires, the driver enters slow decay until I_{VALLEY} is reached. Slow decay operates similar to mode 1 in which both low-side MOSFETs are turned on allowing the current to recirculate. In this mode, t_{OFF} varies depending on the current level and operating conditions.

The ripple current in this decay mode is programmed by the TOFF pin. The ripple current is dependent on the ITRIP of a particular microstep level.

Table 7-8. Current Ripple Settings

| TOFF | Current Ripple at a specific microstep level |
|--------------|--|
| 0 | 19mA + 1% of ITRIP |
| 1 | 19mA + 2% of ITRIP |
| Hi-Z | 19mA + 4% of ITRIP |
| 330kΩ to GND | 19mA + 6% of ITRIP |

The ripple control method allows much tighter regulation of the current level increasing motor efficiency and system performance. Smart tune Ripple Control can be used in systems that can tolerate a variable off-time regulation scheme to achieve small current ripple in the current regulation. Select a low ripple current setting to ensure that the PWM frequency is not in the audible range. However, higher values of ripple current reduces the PWM frequency and therefore the switching loss.

7.3.6.6 PWM OFF Time

The TOFF pin configures the PWM OFF time for all decay modes except smart tune ripple control, as shown in [Table 7-7](#). The OFF time settings can be changed on the fly. After a OFF time setting change, the new OFF time is applied after a 10 μs de-glitch time.

Table 7-9. OFF Time Settings

| TOFF | OFF Time |
|----------------------|------------|
| 0 | 7 μ s |
| 1 | 16 μ s |
| Hi-Z | 24 μ s |
| 330k Ω to GND | 32 μ s |

7.3.6.7 Blanking time

After the current is enabled (start of drive phase) in an H-bridge, the current sense comparator is ignored for a period of time (t_{BLANK}) before enabling the current-sense circuitry. The blanking time also sets the minimum drive time of the PWM. The blanking time is approximately 1 μ s.

7.3.7 Charge Pump

A charge pump is integrated to supply a high-side N-channel MOSFET gate-drive voltage. The charge pump requires a capacitor between the VM and VCP pins to act as the storage capacitor. Additionally a ceramic capacitor is required between the CPH and CPL pins to act as the flying capacitor.

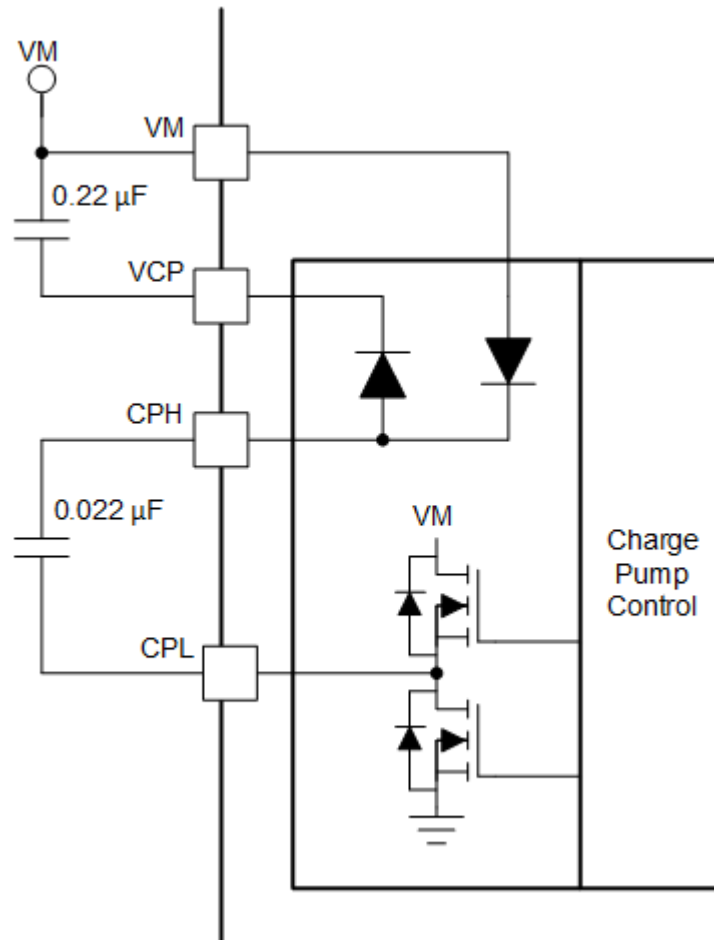


Figure 7-14. Charge Pump Block Diagram

7.3.8 Linear Voltage Regulators

A linear voltage regulator is integrated in the DRV8424/25 devices. The DVDD regulator can be used to provide a reference voltage. DVDD can supply a maximum of 2mA load. For proper operation, bypass the DVDD pin to GND using a ceramic capacitor.

The DVDD output is nominally 5-V. When the DVDD LDO current load exceeds 2mA, the output voltage drops significantly.

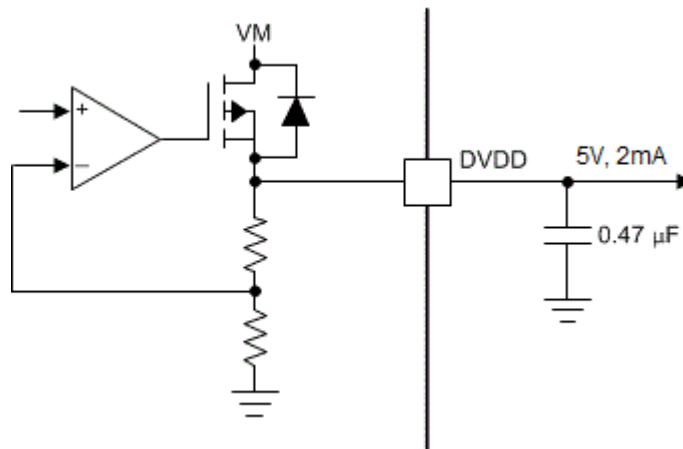


Figure 7-15. Linear Voltage Regulator Block Diagram

Figure 7-16. Linear Voltage Regulator Block Diagram

If a digital input must be tied permanently high (that is, Mx, DECAYx or TOFF), tying the input to the DVDD pin instead of an external regulator is preferred. This method saves power when the VM pin is not applied or in sleep mode: the DVDD regulator is disabled and current does not flow through the input pulldown resistors. For reference, logic level inputs have a typical pulldown of 200 kΩ.

The nSLEEP pin cannot be tied to DVDD, else the device will never exit sleep mode.

7.3.9 Logic Level, tri-level and quad-level Pin Diagrams

Figure 7-17 shows the input structure for M0, DECAY0, DECAY1 and ENABLE pins.

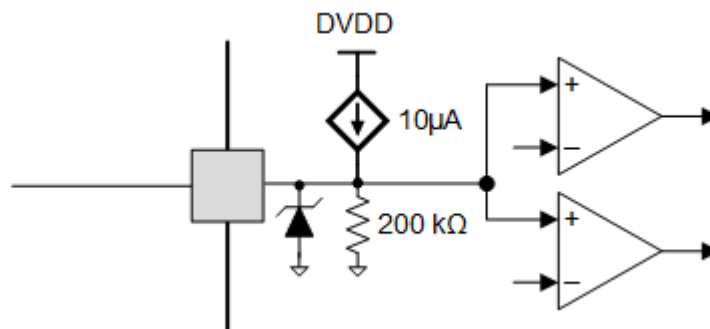


Figure 7-17. Tri-Level Input Pin Diagram

Figure 7-17 shows the input structure for M1 and TOFF pins.

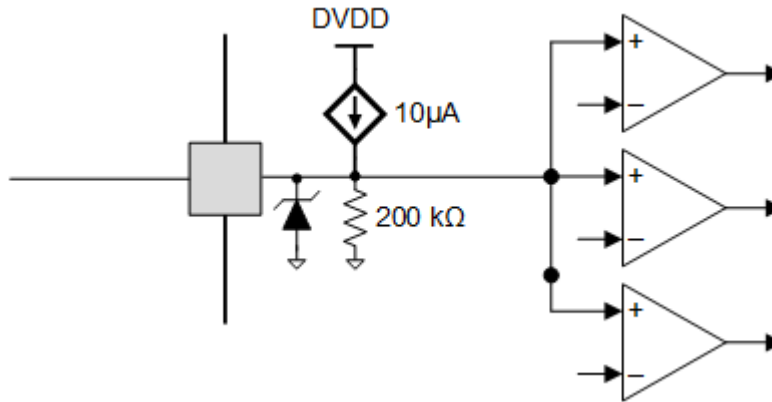


Figure 7-18. Quad-Level Input Pin Diagram

Figure 7-19 shows the input structure for STEP, DIR and nSLEEP pins.

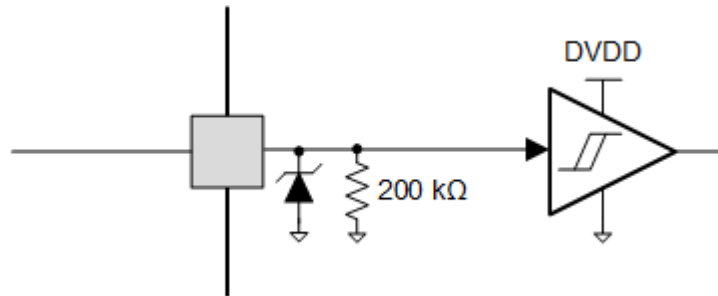


Figure 7-19. Logic-Level Input Pin Diagram

7.3.10 nFAULT Pin

The nFAULT pin has an open-drain output and should be pulled up to a 5-V, 3.3-V or 1.8-V supply. When a fault is detected, the nFAULT pin will be logic low. nFAULT pin will be high after power-up. For a 5-V pullup, the nFAULT pin can be tied to the DVDD pin with a resistor. For a 3.3-V or 1.8-V pullup, an external supply must be used.

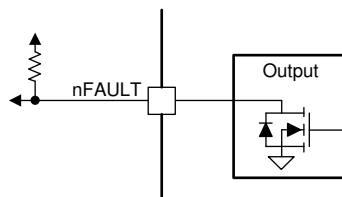


Figure 7-20. nFAULT Pin

7.3.11 Protection Circuits

The DRV8424/25 devices are fully protected against supply undervoltage, charge pump undervoltage, output overcurrent, and device overtemperature events.

7.3.11.1 VM Undervoltage Lockout (UVLO)

If at any time the voltage on the VM pin falls below the UVLO-threshold voltage for the voltage supply, all the outputs are disabled, and the nFAULT pin is driven low. The charge pump is disabled in this condition. Normal operation resumes (motor-driver operation and nFAULT released) when the VM undervoltage condition is removed.

7.3.11.2 VCP Undervoltage Lockout (CPUV)

If at any time the voltage on the VCP pin falls below the CPUV voltage, all the outputs are disabled, and the nFAULT pin is driven low. The charge pump remains active during this condition. Normal operation resumes (motor-driver operation and nFAULT released) when the VCP undervoltage condition is removed.

7.3.11.3 Overcurrent Protection (OCP)

An analog current-limit circuit on each FET limits the current through the FET by removing the gate drive. If this current limit persists for longer than the t_{OCP} time, the FETs in both H-bridges are disabled and the nFAULT pin is driven low. The charge pump remains active during this condition. The overcurrent protection can operate in two different modes: latched shutdown and automatic retry. The operating modes can be changed on the fly.

7.3.11.3.1 Latched Shutdown

The ENABLE pin of the DRV8424/25 has to be made Hi-Z to select latched shutdown mode. In this mode, after an OCP event, the outputs are disabled and the nFAULT pin is driven low. Once the OCP condition is removed, normal operation resumes after applying an nSLEEP reset pulse or a power cycling.

7.3.11.3.2 Automatic Retry

The ENABLE pin of the DRV8424/25 has to be HIGH (>2.7V) to select automatic retry mode. In this mode, after an OCP event the outputs are disabled and the nFAULT pin is driven low. Normal operation resumes automatically (motor-driver operation and nFAULT released) after the t_{RETRY} time has elapsed and the fault condition is removed.

7.3.11.4 Thermal Shutdown (OTSD)

If the die temperature exceeds the thermal shutdown limit (T_{OTSD}) all MOSFETs in the H-bridge are disabled, and the nFAULT pin is driven low. The charge pump is disabled during this condition. The thermal shutdown protection can operate in two different modes: latched shutdown and automatic retry. The operating modes can be changed on the fly.

7.3.11.4.1 Latched Shutdown

The ENABLE pin of the DRV8424/25 has to be made Hi-Z to select latched shutdown mode. In this mode, after an OTSD event, the relevant outputs are disabled and the nFAULT pin is driven low. After the junction temperature falls below the overtemperature threshold limit minus the hysteresis ($T_{OTSD} - T_{HYS_OTSD}$), normal operation resumes after applying an nSLEEP reset pulse or a power cycling.

7.3.11.4.2 Automatic Retry

The ENABLE pin of the DRV8424/25 has to be HIGH (>2.7V) to select automatic retry mode. In this mode, after a OTSD event all the outputs are disabled and the nFAULT pin is driven low. Normal operation resumes (motor-driver operation and the nFAULT line released) when the junction temperature falls below the overtemperature threshold limit minus the hysteresis ($T_{OTSD} - T_{HYS_OTSD}$).

7.3.11.5 Fault Condition Summary

Table 7-10. Fault Condition Summary

| FAULT | CONDITION | CONFIGURATION | ERROR REPORT | H-BRIDGE | CHARGE PUMP | INDEXER | LOGIC | RECOVERY |
|-------------------------|---------------------|---------------|--------------|----------|-------------|-----------|-------------------------------------|------------------------------|
| VM undervoltage (UVLO) | $VM < V_{UVLO}$ | — | nFAULT | Disabled | Disabled | Disabled | Reset ($V_{DVDD} < 3.9\text{ V}$) | Automatic: $VM > V_{UVLO}$ |
| VCP undervoltage (CPUV) | $VCP < V_{CPUV}$ | — | nFAULT | Disabled | Operating | Operating | Operating | Automatic: $VCP > V_{CPUV}$ |
| Overcurrent (OCP) | $I_{OUT} > I_{OCP}$ | ENABLE = Hi-Z | nFAULT | Disabled | Operating | Operating | Operating | Latched |
| | | ENABLE = 1 | nFAULT | Disabled | Operating | Operating | Operating | Automatic retry: t_{RETRY} |

Table 7-10. Fault Condition Summary (continued)

| FAULT | CONDITION | CONFIGURATION | ERROR REPORT | H-BRIDGE | CHARGE PUMP | INDEXER | LOGIC | RECOVERY |
|-------------------------|-----------------|---------------|--------------|----------|-------------|-----------|-----------|---|
| Thermal Shutdown (OTSD) | $T_J > T_{TSD}$ | ENABLE = Hi-Z | nFAULT | Disabled | Disabled | Operating | Operating | Latched |
| | | ENABLE = 1 | nFAULT | Disabled | Disabled | Operating | Operating | Automatic: $T_J < T_{OTSD} - T_{HYS_OTSD}$ |

7.4 Device Functional Modes

7.4.1 Sleep Mode (nSLEEP = 0)

The DRV8424/25 device state is managed by the nSLEEP pin. When the nSLEEP pin is low, the DRV8424/25 device enters a low-power sleep mode. In sleep mode, all the internal MOSFETs are disabled and the charge pump is disabled. The t_{SLEEP} time must elapse after a falling edge on the nSLEEP pin before the device enters sleep mode. The DRV8424/25 device is brought out of sleep automatically if the nSLEEP pin is brought high. The t_{WAKE} time must elapse before the device is ready for inputs.

7.4.2 Disable Mode (nSLEEP = 1, ENABLE = 0)

The ENABLE pin is used to enable or disable the DRV8424/25. When the ENABLE pin is low, the output drivers are disabled in the Hi-Z state.

7.4.3 Operating Mode (nSLEEP = 1, ENABLE = Hi-Z/1)

When the nSLEEP pin is high, the ENABLE pin is Hi-Z or 1, and $V_M > UVLO$, the device enters the active mode. The t_{WAKE} time must elapse before the device is ready for inputs.

7.4.4 nSLEEP Reset Pulse

A latched fault can be cleared through a quick nSLEEP pulse. This pulse width must be greater than 20 μs and shorter than 40 μs . If nSLEEP is low for longer than 40 μs but less than 120 μs , the faults are cleared and the device may or may not shutdown, as shown in the timing diagram (see Figure 7-21). This reset pulse does not affect the status of the charge pump or other functional blocks.

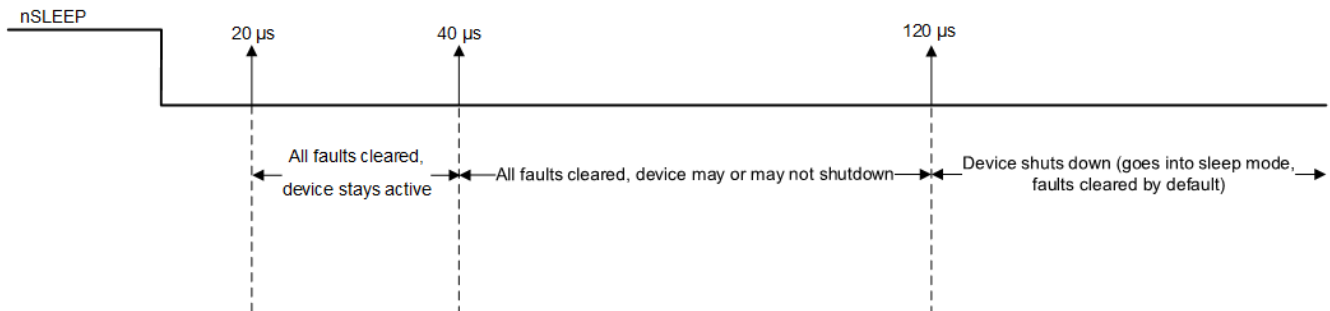


Figure 7-21. nSLEEP Reset Pulse

7.4.5 Functional Modes Summary

Table 7-11 lists a summary of the functional modes.

Table 7-11. Functional Modes Summary

| CONDITION | | CONFIGURATION | H-BRIDGE | DVDD Regulator | CHARGE PUMP | INDEXER | Logic |
|------------|----------------------|--|-----------|----------------|-------------|-----------|-----------|
| Sleep mode | $4.5 V < V_M < 33 V$ | nSLEEP pin = 0 | Disabled | Disabled | Disabled | Disabled | Disabled |
| Operating | $4.5 V < V_M < 33 V$ | nSLEEP pin = 1 ENABLE pin = 1 or Hi-Z | Operating | Operating | Operating | Operating | Operating |

Table 7-11. Functional Modes Summary (continued)

| CONDITION | | CONFIGURATION | H-BRIDGE | DVDD Regulator | CHARGE PUMP | INDEXER | Logic |
|-----------|-------------------|----------------------------------|----------|----------------|-------------|-----------|-----------|
| Disabled | 4.5 V < VM < 33 V | nSLEEP pin = 1 ENABLE pin = 0 | Disabled | Operating | Operating | Operating | Operating |

8 Application and Implementation

Note

Information in the following applications sections is not part of the TI component specification, and TI does not warrant its accuracy or completeness. TI's customers are responsible for determining suitability of components for their purposes. Customers should validate and test their design implementation to confirm system functionality.

8.1 Application Information

The DRV8424 is used in bipolar stepper control.

8.2 Typical Application

The following design procedure can be used to configure the DRV8424.

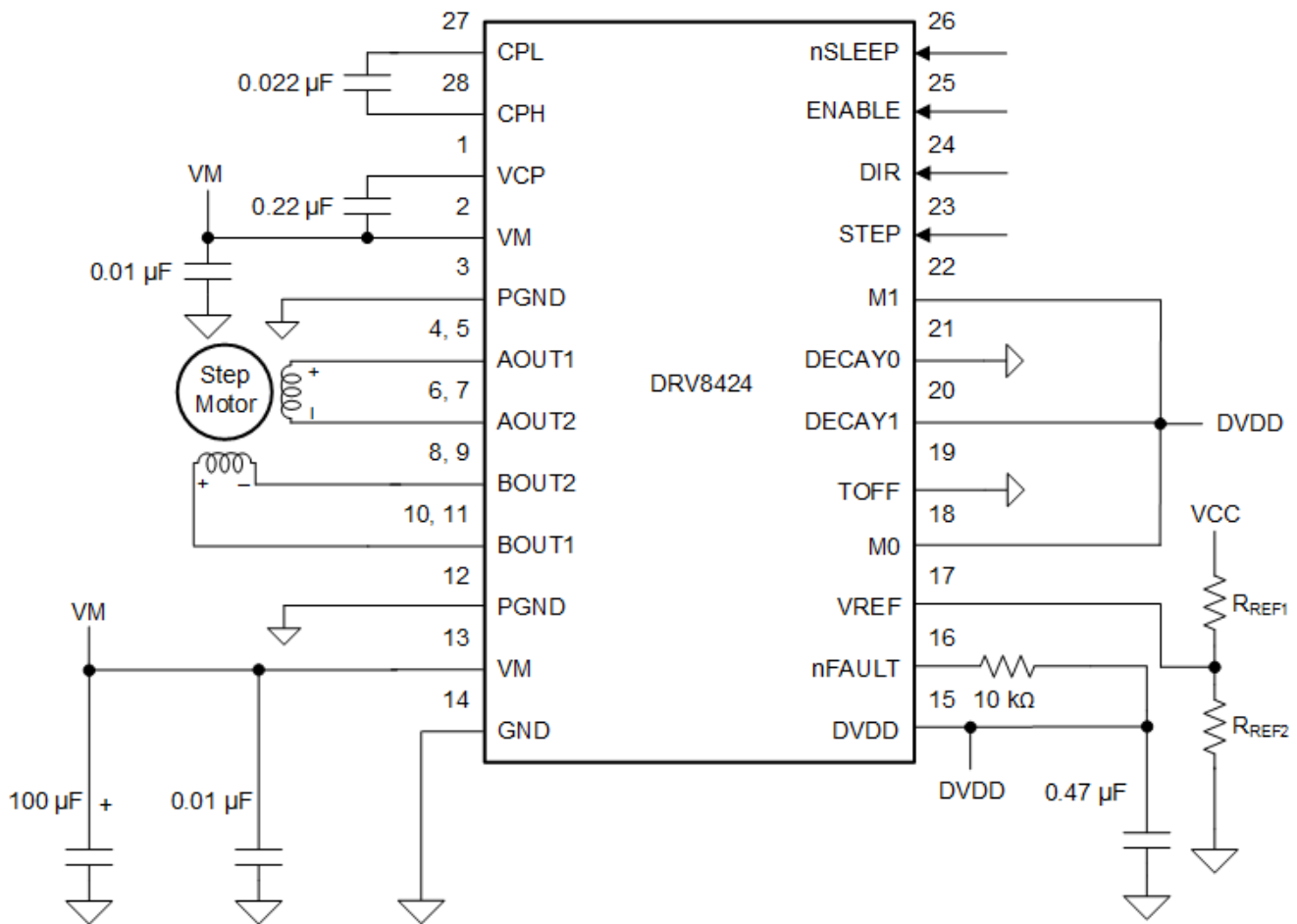


Figure 8-1. Typical Application Schematic

8.2.1 Design Requirements

Table 8-1 lists the design input parameters for a typical application.

Table 8-1. Design Parameters

| DESIGN PARAMETER | REFERENCE | EXAMPLE VALUE |
|--------------------------|-----------|---------------------|
| Supply voltage | VM | 24 V |
| Motor winding resistance | R_L | 1.5 Ω /phase |
| Motor winding inductance | L_L | 2 mH/phase |

Table 8-1. Design Parameters (continued)

| DESIGN PARAMETER | REFERENCE | EXAMPLE VALUE |
|----------------------------|------------------------|---------------|
| Motor full step angle | θ_{step} | 1.8°/step |
| Target microstepping level | n_m | 1/8 step |
| Target motor speed | v | 18.75 rpm |
| Target full-scale current | I_{FS} | 2 A |

8.2.2 Detailed Design Procedure

8.2.2.1 Stepper Motor Speed

The first step in configuring the DRV8424/25 device requires the desired motor speed and microstepping level. If the target application requires a constant speed, then a square wave with frequency f_{step} must be applied to the STEP pin. If the target motor speed is too high, the motor does not spin. Make sure that the motor can support the target speed. Use [Equation 1](#) to calculate f_{step} for a desired motor speed (v), microstepping level (n_m), and motor full step angle (θ_{step})

$$f_{\text{step}} \text{ (steps / s)} = \frac{v \text{ (rpm)} \times 360 \text{ (}^\circ \text{ / rot)}}{\theta_{\text{step}} \text{ (}^\circ \text{ / step)} \times n_m \text{ (steps / microstep)} \times 60 \text{ (s / min)}} \quad (1)$$

The value of θ_{step} can be found in the stepper motor data sheet, or written on the motor. For example, the motor in this application is required to rotate at 1.8°/step for a target of 18.75 rpm at 1/8 microstep mode. Using [Equation 1](#), f_{step} can be calculated as 500 Hz.

The microstepping level is set by the M0 and M1 pins and can be any of the settings listed in [Table 8-2](#). Higher microstepping results in a smoother motor motion and less audible noise, but requires a higher f_{step} to achieve the same motor speed.

Table 8-2. Microstepping Indexer Settings

| MODE0 | MODE1 | STEP MODE |
|-------|--------------|--|
| 0 | 0 | Full step (2-phase excitation) with 100% current |
| 0 | 330kΩ to GND | Full step (2-phase excitation) with 71% current |
| 1 | 0 | Non-circular 1/2 step |
| Hi-Z | 0 | 1/2 step |
| 0 | 1 | 1/4 step |
| 1 | 1 | 1/8 step |
| Hi-Z | 1 | 1/16 step |
| 0 | Hi-Z | 1/32 step |
| Hi-Z | 330kΩ to GND | 1/64 step |
| Hi-Z | Hi-Z | 1/128 step |
| 1 | Hi-Z | 1/256 step |

8.2.2.2 Current Regulation

When an output load is connected to the VM supply, the load current can be regulated to the I_{TRIP} level. The I_{TRIP} current level for OUT1 and OUT2 outputs is controlled by the VREF12 pin, and the I_{TRIP} level for OUT3 and OUT4 outputs is controlled by the VREF34 pin. The I_{TRIP} current can be calculated as $I_{\text{TRIP}} \text{ (A)} = \text{VREF (V)} / 1.32 \text{ (V/A)}$. The VREF voltage can be programmed by connecting resistor dividers from DVDD pin to ground. Both VREF pins can be tied together to program the same I_{TRIP} current for all four output channels.

8.2.2.3 Decay Modes

The DRV8424/25 device supports six different decay modes, as shown in [Table 7-7](#). When a motor winding current has hit the current chopping threshold (I_{TRIP}), the DRV8424/25 places the winding in one of the six decay modes for t_{OFF} . After t_{OFF} , a new drive phase starts.

8.2.3 Application Curves

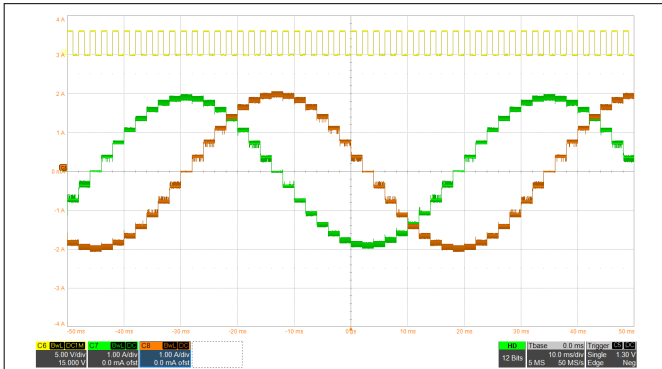


Figure 8-2. 1/8 Microstepping With smart tune Ripple Control Decay

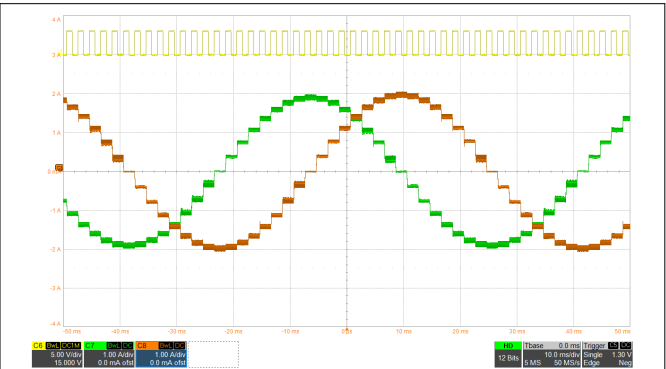


Figure 8-3. 1/8 Microstepping With smart tune Dynamic Decay

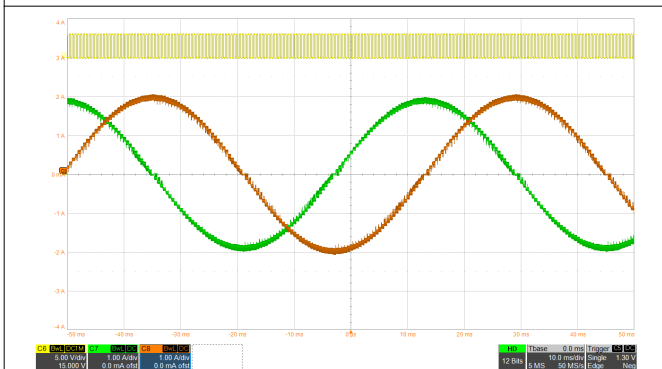


Figure 8-4. 1/32 Microstepping With smart tune Ripple Control Decay

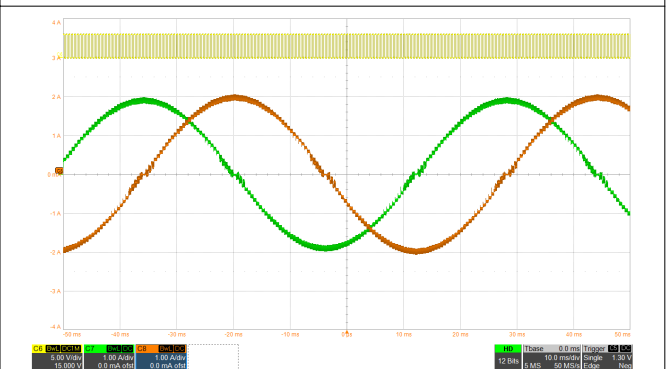


Figure 8-5. 1/32 Microstepping With smart tune Dynamic Decay

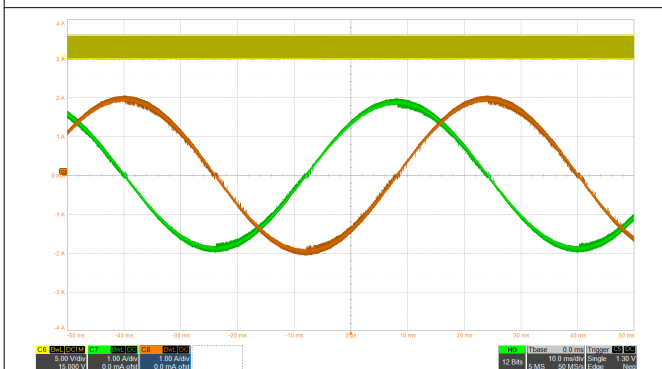


Figure 8-6. 1/256 Microstepping With smart tune Ripple Control Decay

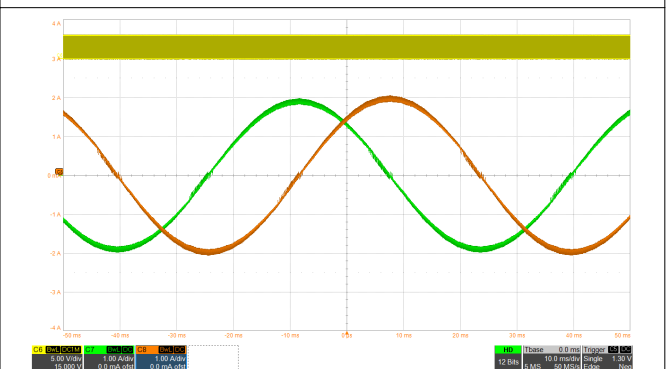


Figure 8-7. 1/256 Microstepping With smart tune Dynamic Decay

8.2.4 Thermal Application

This section presents the power dissipation calculation and junction temperature estimation of the device.

8.2.4.1 Power Dissipation

The total power dissipation constitutes of three main components - conduction loss (P_{COND}), switching loss (P_{SW}) and power loss due to quiescent current consumption (P_Q).

8.2.4.1.1 Conduction Loss

The current path for a motor connected in full-bridge is through the high-side FET of one half-bridge and low-side FET of the other half-bridge. The conduction loss (P_{COND}) depends on the motor rms current (I_{RMS}) and high-side ($R_{DS(ONH)}$) and low-side ($R_{DS(ONL)}$) on-state resistances as shown in [Equation 2](#).

$$P_{COND} = 2 \times (I_{RMS})^2 \times (R_{DS(ONH)} + R_{DS(ONL)}) \quad (2)$$

The conduction loss for the typical application shown in [Table 8-2](#) is calculated in [Equation 3](#).

$$P_{COND} = 2 \times (I_{RMS})^2 \times (R_{DS(ONH)} + R_{DS(ONL)}) = 2 \times (2-A / \sqrt{2})^2 \times (0.165-\Omega + 0.165-\Omega) = 1.32-W \quad (3)$$

Note

This power calculation is highly dependent on the device temperature which significantly effects the high-side and low-side on-resistance of the FETs. For more accurate calculation, consider the dependency of on-resistance of FETs with device temperature.

8.2.4.1.2 Switching Loss

The power loss due to the PWM switching frequency depends on the slew rate (t_{SR}), supply voltage, motor RMS current and the PWM switching frequency. The switching losses in each H-bridge during rise-time and fall-time are calculated as shown in [Equation 4](#) and [Equation 5](#).

$$P_{SW_RISE} = 0.5 \times V_{VM} \times I_{RMS} \times t_{RISE_PWM} \times f_{PWM} \quad (4)$$

$$P_{SW_FALL} = 0.5 \times V_{VM} \times I_{RMS} \times t_{FALL_PWM} \times f_{PWM} \quad (5)$$

Both t_{RISE_PWM} and t_{FALL_PWM} can be approximated as V_{VM} / t_{SR} . After substituting the values of various parameters, and assuming 30-kHz PWM frequency, the switching losses in each H-bridge are calculated as shown below -

$$P_{SW_RISE} = 0.5 \times 24-V \times (2-A / \sqrt{2}) \times (24-V / 240 V/\mu s) \times 30-kHz = 0.051-W \quad (6)$$

$$P_{SW_FALL} = 0.5 \times 24-V \times (2-A / \sqrt{2}) \times (24-V / 240 V/\mu s) \times 30-kHz = 0.051-W \quad (7)$$

The total switching loss for the stepper motor driver (P_{SW}) is calculated as twice the sum of rise-time (P_{SW_RISE}) switching loss and fall-time (P_{SW_FALL}) switching loss as shown below -

$$P_{SW} = 2 \times (P_{SW_RISE} + P_{SW_FALL}) = 2 \times (0.051-W + 0.051-W) = 0.204-W \quad (8)$$

Note

The rise-time (t_{RISE}) and the fall-time (t_{FALL}) are calculated based on typical values of the slew rate (t_{SR}). This parameter is expected to change based on the supply-voltage, temperature and device to device variation.

The switching loss is directly proportional to the PWM switching frequency. The PWM frequency in an application will depend on the supply voltage, inductance of the motor coil, back emf voltage and OFF time or the ripple current (for smart tune ripple control decay mode).

8.2.4.1.3 Power Dissipation Due to Quiescent Current

The power dissipation due to the quiescent current consumed by the power supply is calculated as shown below -

$$P_Q = V_{VM} \times I_{VM} \quad (9)$$

Substituting the values, quiescent power loss can be calculated as shown below -

$$P_Q = 24\text{-V} \times 5\text{-mA} = 0.12\text{-W} \quad (10)$$

Note

The quiescent power loss is calculated using the typical operating supply current (I_{VM}) which is dependent on supply-voltage, temperature and device to device variation.

8.2.4.1.4 Total Power Dissipation

The total power dissipation (P_{TOT}) is calculated as the sum of conduction loss, switching loss and the quiescent power loss as shown in [Equation 11](#).

$$P_{TOT} = P_{COND} + P_{SW} + P_Q = 1.32\text{-W} + 0.204\text{-W} + 0.12\text{-W} = 1.644\text{-W} \quad (11)$$

8.2.4.2 Device Junction Temperature Estimation

For an ambient temperature of T_A and total power dissipation (P_{TOT}), the junction temperature (T_J) is calculated as $T_J = T_A + (P_{TOT} \times R_{\theta JA})$

Considering a JEDEC standard 4-layer PCB, the junction-to-ambient thermal resistance ($R_{\theta JA}$) is 31 °C/W for the HTSSOP package and 40.7 °C/W for the VQFN package.

Assuming 25°C ambient temperature, the junction temperature for the HTSSOP package is calculated as shown below -

$$T_J = 25^\circ\text{C} + (1.644\text{-W} \times 31^\circ\text{C/W}) = 75.96^\circ\text{C} \quad (12)$$

The junction temperature for the VQFN package is calculated as shown below -

$$T_J = 25^\circ\text{C} + (1.644\text{-W} \times 40.7^\circ\text{C/W}) = 91.91^\circ\text{C} \quad (13)$$

9 Power Supply Recommendations

The DRV8424/25 device is designed to operate from an input voltage supply (VM) range from 4.5 V to 33 V. A 0.01- μ F ceramic capacitor rated for VM must be placed at each VM pin as close to the DRV8424/25 device as possible. In addition, a bulk capacitor must be included on VM.

9.1 Bulk Capacitance

Having appropriate local bulk capacitance is an important factor in motor drive system design. It is generally beneficial to have more bulk capacitance, while the disadvantages are increased cost and physical size.

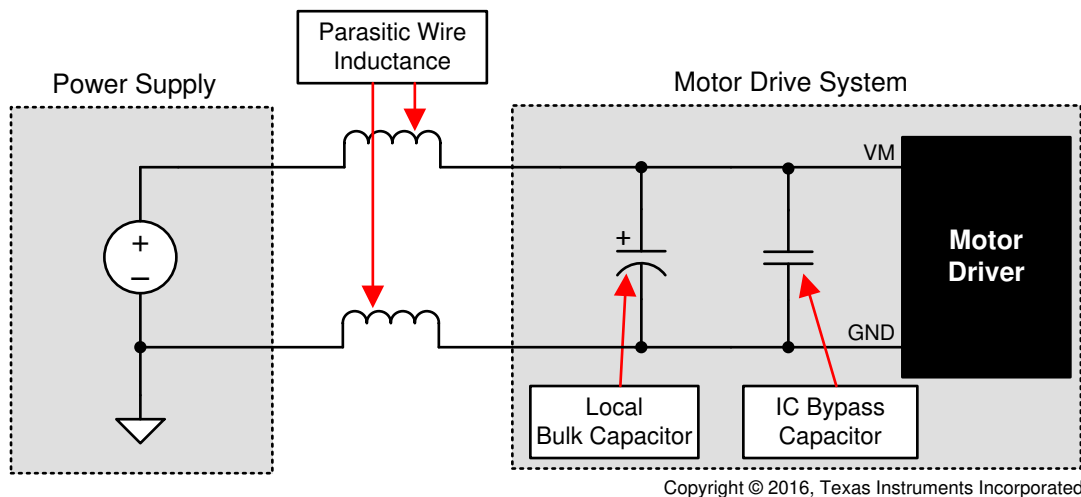
The amount of local capacitance needed depends on a variety of factors, including:

- The highest current required by the motor system
- The power supply's capacitance and ability to source current
- The amount of parasitic inductance between the power supply and motor system
- The acceptable voltage ripple
- The type of motor used (brushed DC, brushless DC, stepper)
- The motor braking method

The inductance between the power supply and motor drive system will limit the rate current can change from the power supply. If the local bulk capacitance is too small, the system will respond to excessive current demands or dumps from the motor with a change in voltage. When adequate bulk capacitance is used, the motor voltage remains stable and high current can be quickly supplied.

The data sheet generally provides a recommended value, but system-level testing is required to determine the appropriate sized bulk capacitor.

The voltage rating for bulk capacitors should be higher than the operating voltage, to provide margin for cases when the motor transfers energy to the supply.



Copyright © 2016, Texas Instruments Incorporated

Figure 9-1. Example Setup of Motor Drive System With External Power Supply

10 Layout

10.1 Layout Guidelines

The VM pin should be bypassed to PGND using a low-ESR ceramic bypass capacitor with a recommended value of 0.01 μF rated for VM. This capacitor should be placed as close to the VM pin as possible with a thick trace or ground plane connection to the device PGND pin.

The VM pin must be bypassed to PGND using a bulk capacitor rated for VM. This component can be an electrolytic capacitor.

A low-ESR ceramic capacitor must be placed in between the CPL and CPH pins. A value of 0.022 μF rated for VM is recommended. Place this component as close to the pins as possible.

A low-ESR ceramic capacitor must be placed in between the VM and VCP pins. A value of 0.22 μF rated for 16 V is recommended. Place this component as close to the pins as possible.

Bypass the DVDD pin to ground with a low-ESR ceramic capacitor. A value of 0.47 μF rated for 6.3 V is recommended. Place this bypassing capacitor as close to the pin as possible.

The thermal PAD must be connected to system ground.

10.2 Layout Example

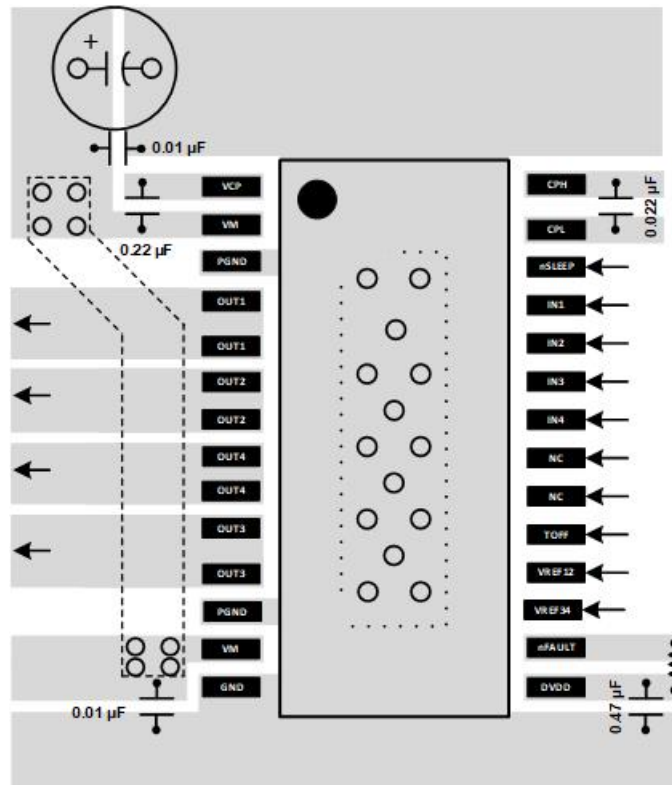


Figure 10-1. HTSSOP Layout Example

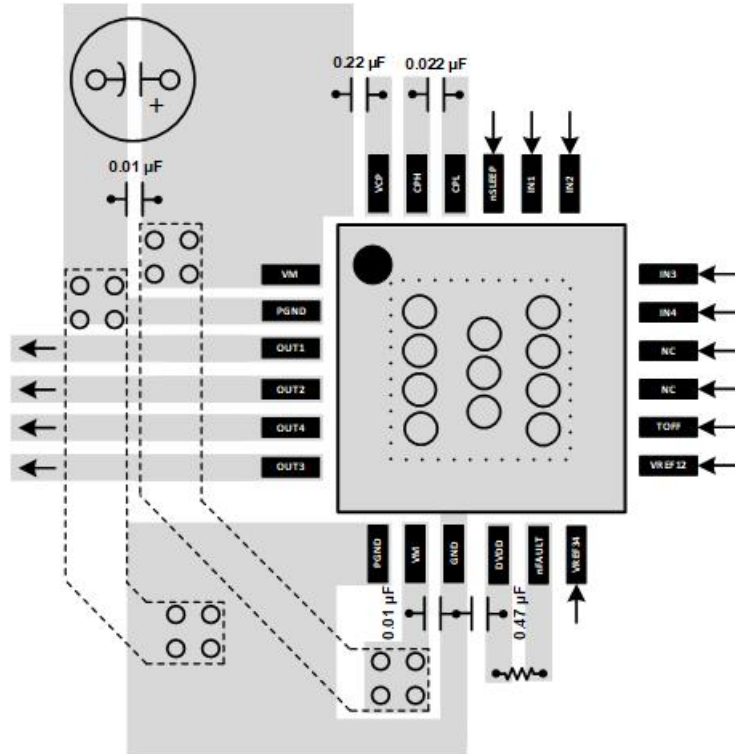


Figure 10-2. QFN Layout Example

11 Device and Documentation Support

11.1 Related Links

The table below lists quick access links. Categories include technical documents, support and community resources, tools and software, and quick access to order now.

Table 11-1. Related Links

| PARTS | PRODUCT FOLDER | ORDER NOW | TECHNICAL DOCUMENTS | TOOLS & SOFTWARE | SUPPORT & COMMUNITY |
|---------|----------------------------|----------------------------|----------------------------|----------------------------|----------------------------|
| DRV8424 | Click here | Click here | Click here | Click here | Click here |
| DRV8425 | Click here | Click here | Click here | Click here | Click here |

11.2 Receiving Notification of Documentation Updates

To receive notification of documentation updates, navigate to the device product folder on ti.com. In the upper right corner, click on *Alert me* to register and receive a weekly digest of any product information that has changed. For change details, review the revision history included in any revised document.

11.3 Community Resources

11.4 Trademarks

All trademarks are the property of their respective owners.

11.5 Electrostatic Discharge Caution

12 Mechanical, Packaging, and Orderable Information

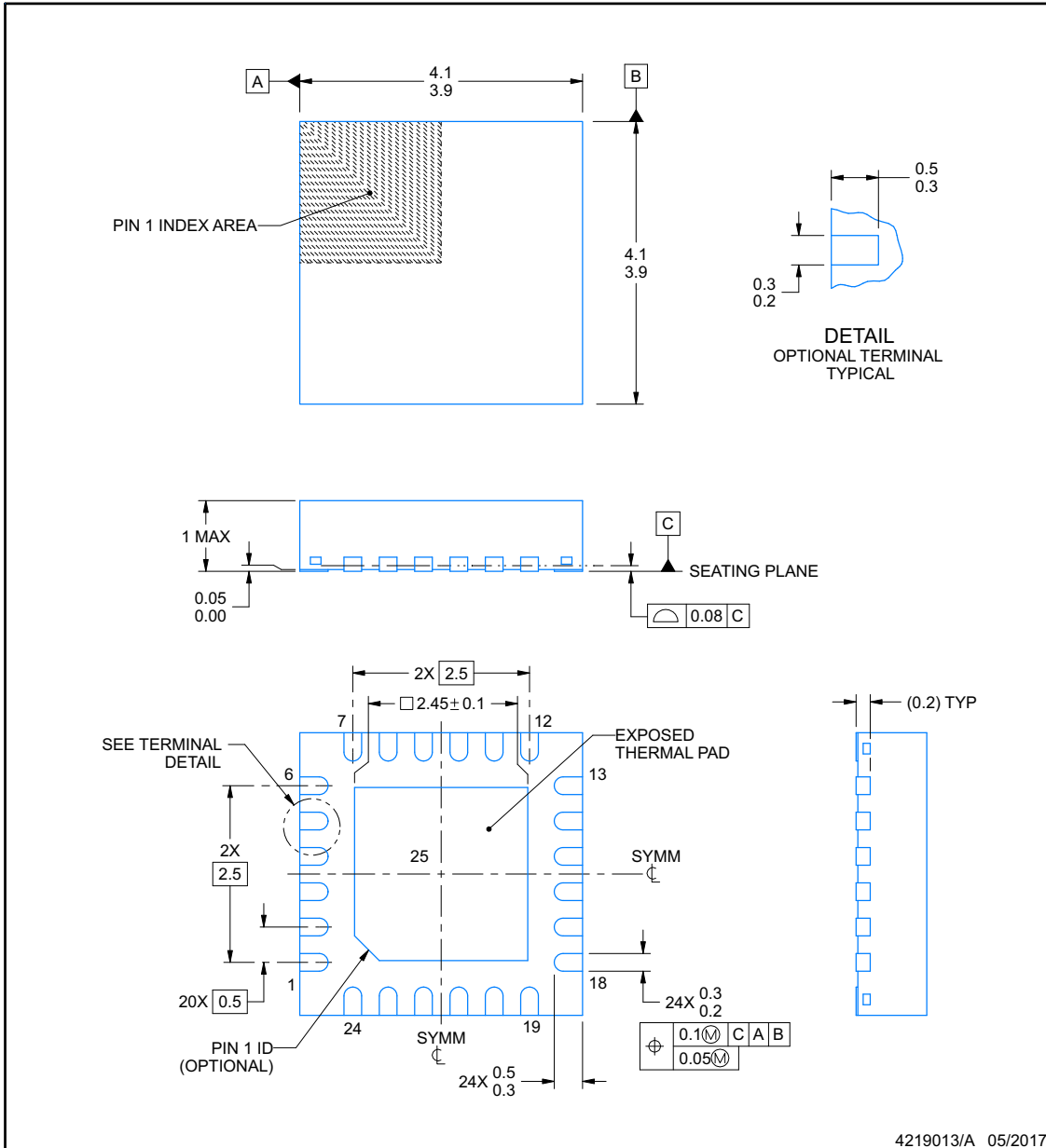
The following pages include mechanical, packaging, and orderable information. This information is the most current data available for the designated devices. This data is subject to change without notice and revision of this document. For browser-based versions of this data sheet, refer to the left-hand navigation.



RGE0024B

PACKAGE OUTLINE
VQFN - 1 mm max height

PLASTIC QUAD FLATPACK - NO LEAD



4219013/A 05/2017

NOTES:

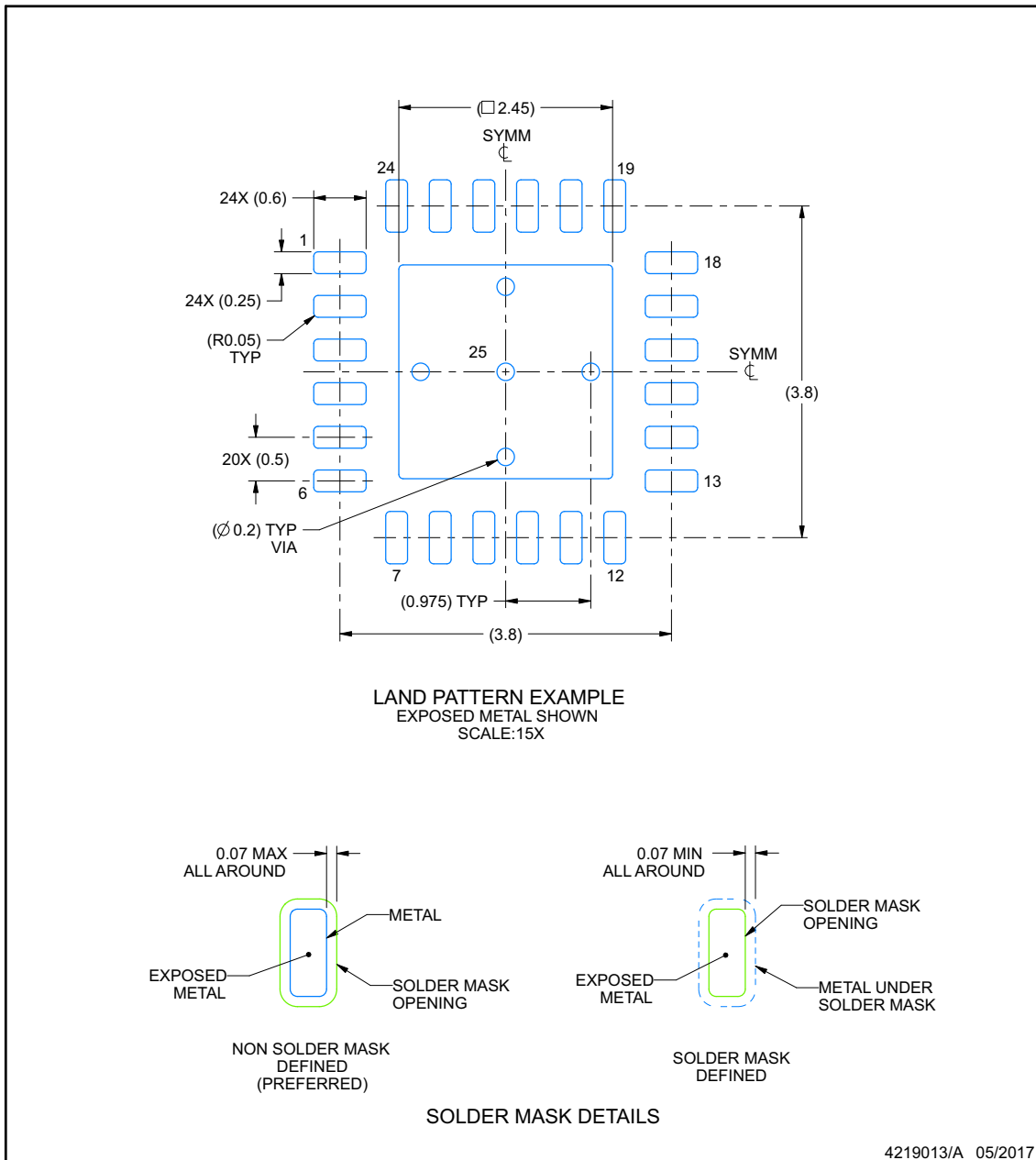
1. All linear dimensions are in millimeters. Any dimensions in parenthesis are for reference only. Dimensioning and tolerancing per ASME Y14.5M.
2. This drawing is subject to change without notice.
3. The package thermal pad must be soldered to the printed circuit board for thermal and mechanical performance.

EXAMPLE BOARD LAYOUT

RGE0024B

VQFN - 1 mm max height

PLASTIC QUAD FLATPACK - NO LEAD



NOTES: (continued)

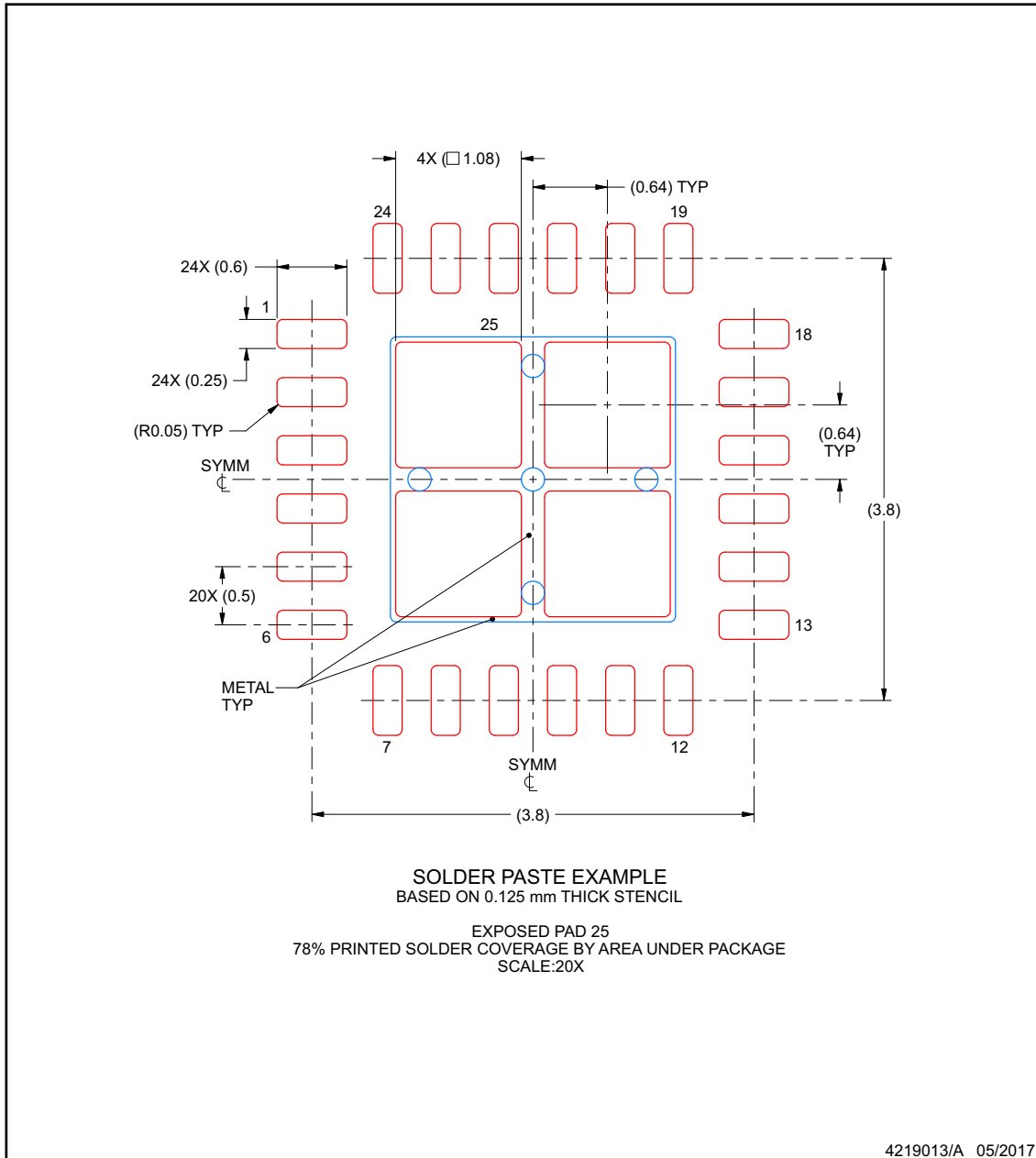
4. This package is designed to be soldered to a thermal pad on the board. For more information, see Texas Instruments literature number SLUA271 (www.ti.com/lit/sluea271).
5. Vias are optional depending on application, refer to device data sheet. If any vias are implemented, refer to their locations shown on this view. It is recommended that vias under paste be filled, plugged or tented.

EXAMPLE STENCIL DESIGN

RGE0024B

VQFN - 1 mm max height

PLASTIC QUAD FLATPACK - NO LEAD



NOTES: (continued)

6. Laser cutting apertures with trapezoidal walls and rounded corners may offer better paste release. IPC-7525 may have alternate design recommendations.

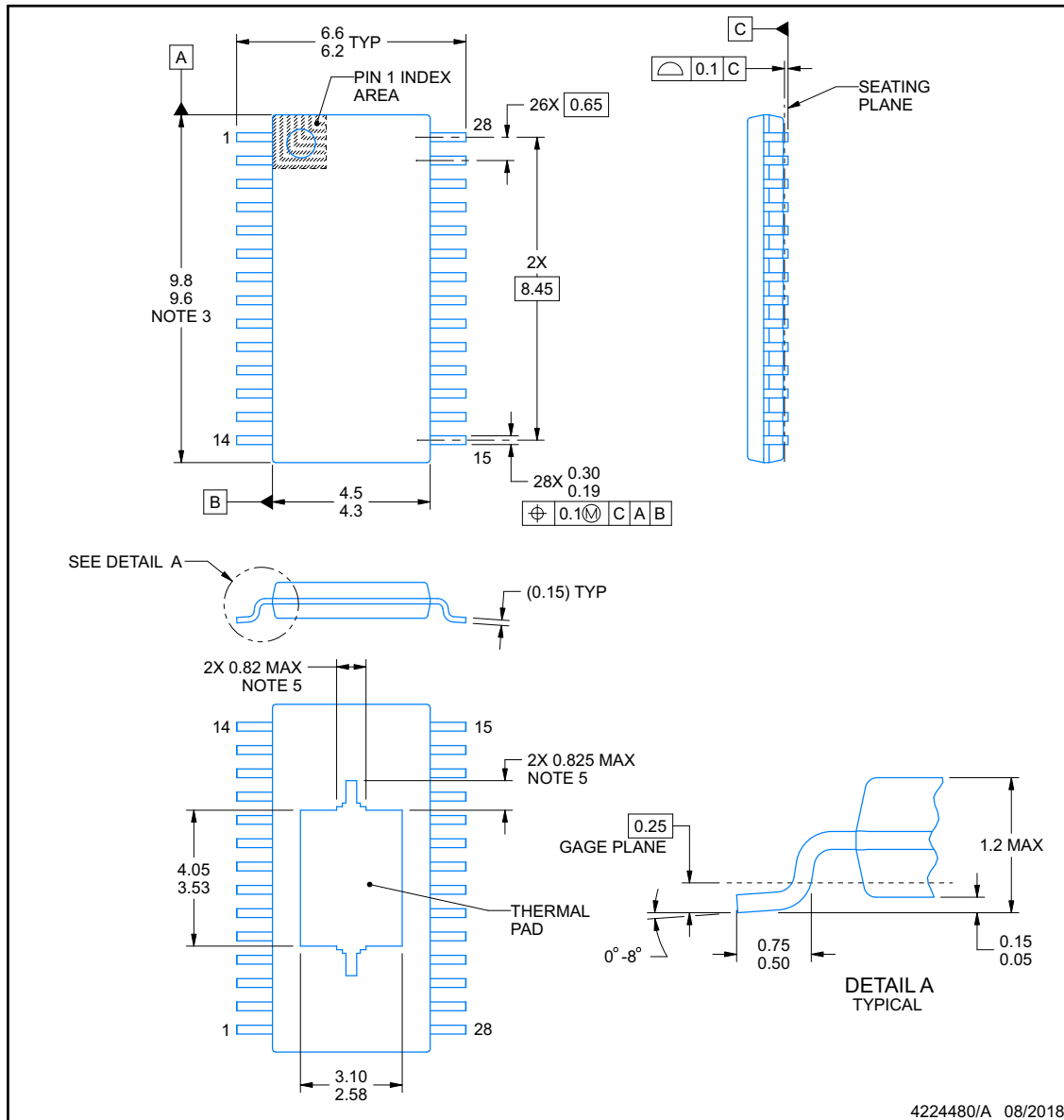


PACKAGE OUTLINE

PWP0028M

PowerPAD™ TSSOP - 1.2 mm max height

SMALL OUTLINE PACKAGE



4224480/A 08/2018

NOTES:

PowerPAD is a trademark of Texas Instruments.

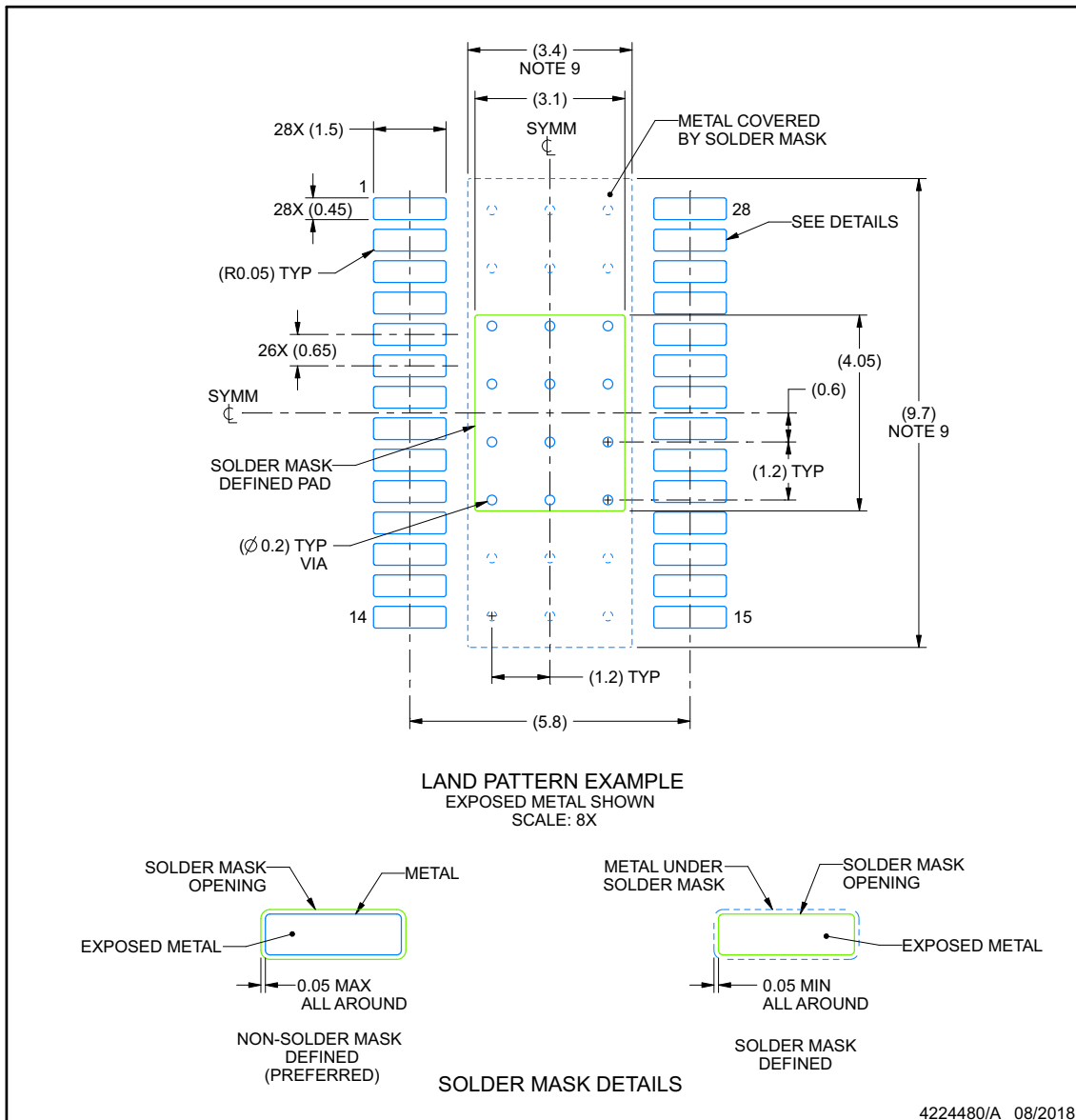
1. All linear dimensions are in millimeters. Any dimensions in parenthesis are for reference only. Dimensioning and tolerancing per ASME Y14.5M.
2. This drawing is subject to change without notice.
3. This dimension does not include mold flash, protrusions, or gate burrs. Mold flash, protrusions, or gate burrs shall not exceed 0.15 mm per side.
4. Reference JEDEC registration MO-153.
5. Features may differ or may not be present.

EXAMPLE BOARD LAYOUT

PWP0028M

PowerPAD™ TSSOP - 1.2 mm max height

SMALL OUTLINE PACKAGE



NOTES: (continued)

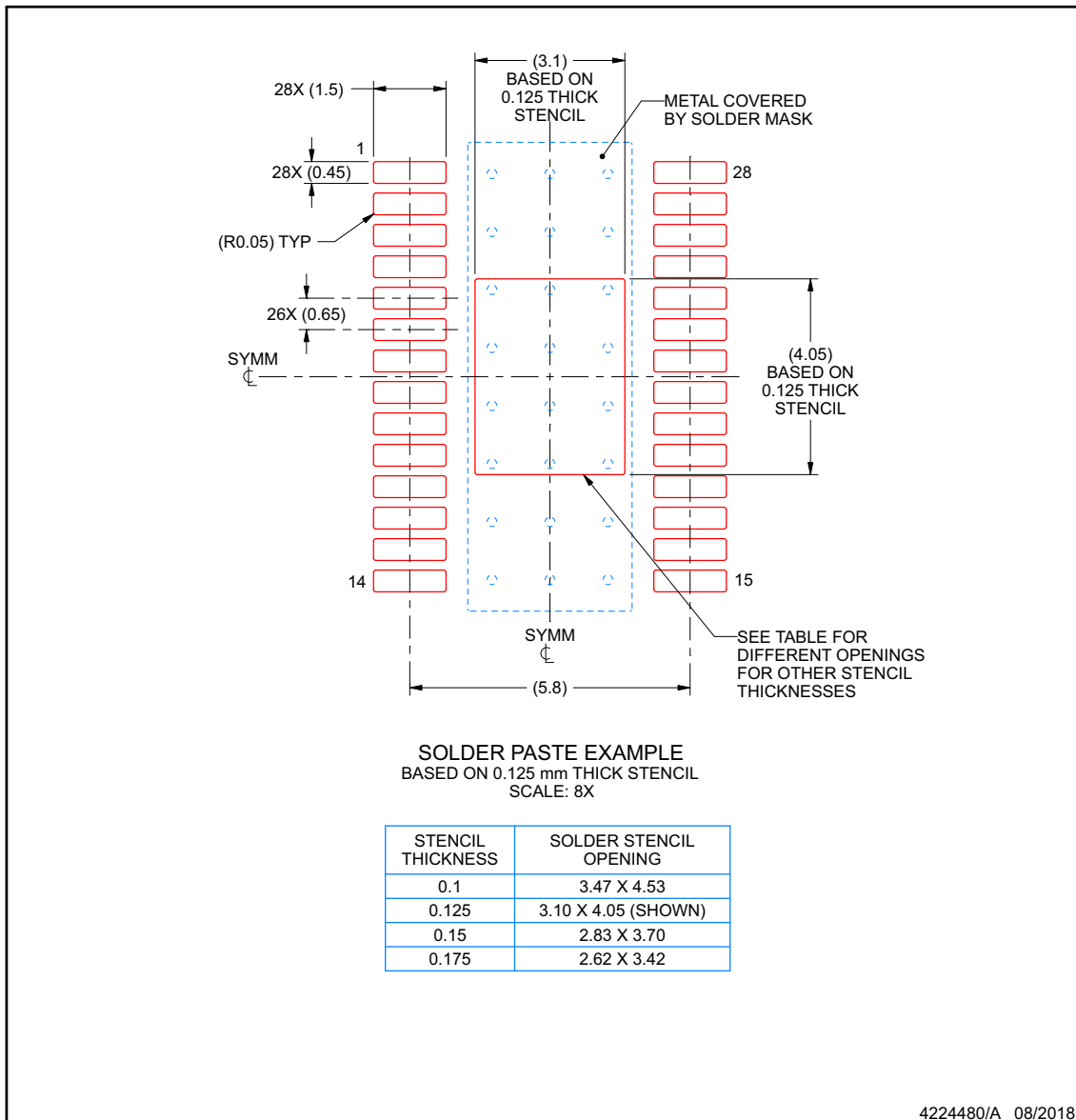
6. Publication IPC-7351 may have alternate designs.
7. Solder mask tolerances between and around signal pads can vary based on board fabrication site.
8. This package is designed to be soldered to a thermal pad on the board. For more information, see Texas Instruments literature numbers SLMA002 (www.ti.com/lit/slma002) and SLMA004 (www.ti.com/lit/slma004).
9. Size of metal pad may vary due to creepage requirement.
10. Vias are optional depending on application, refer to device data sheet. It is recommended that vias under paste be filled, plugged or tented.

EXAMPLE STENCIL DESIGN

PWP0028M

PowerPAD™ TSSOP - 1.2 mm max height



SMALL OUTLINE PACKAGE



NOTES: (continued)

11. Laser cutting apertures with trapezoidal walls and rounded corners may offer better paste release. IPC-7525 may have alternate design recommendations.
12. Board assembly site may have different recommendations for stencil design.

PACKAGING INFORMATION

| Orderable Device | Status (1) | Package Type | Package Drawing | Pins | Package Qty | Eco Plan (2) | Lead finish/ Ball material (6) | MSL Peak Temp (3) | Op Temp (°C) | Device Marking (4/5) | Samples |
|------------------|---------------|--------------|--------------------|------|----------------|-----------------|--------------------------------------|----------------------|--------------|-------------------------|---|
| DRV8424PWPR | ACTIVE | HTSSOP | PWP | 28 | 2500 | RoHS & Green | NIPDAU | Level-3-260C-168 HR | -40 to 125 | DRV8424 |  |
| DRV8424RGER | ACTIVE | VQFN | RGE | 24 | 3000 | RoHS & Green | NIPDAU | Level-2-260C-1 YEAR | -40 to 125 | DRV 8424 |  |

(1) The marketing status values are defined as follows:

ACTIVE: Product device recommended for new designs.

LIFEBUY: TI has announced that the device will be discontinued, and a lifetime-buy period is in effect.

NRND: Not recommended for new designs. Device is in production to support existing customers, but TI does not recommend using this part in a new design.

PREVIEW: Device has been announced but is not in production. Samples may or may not be available.

OBSOLETE: TI has discontinued the production of the device.

(2) **RoHS:** TI defines "RoHS" to mean semiconductor products that are compliant with the current EU RoHS requirements for all 10 RoHS substances, including the requirement that RoHS substance do not exceed 0.1% by weight in homogeneous materials. Where designed to be soldered at high temperatures, "RoHS" products are suitable for use in specified lead-free processes. TI may reference these types of products as "Pb-Free".

RoHS Exempt: TI defines "RoHS Exempt" to mean products that contain lead but are compliant with EU RoHS pursuant to a specific EU RoHS exemption.

Green: TI defines "Green" to mean the content of Chlorine (Cl) and Bromine (Br) based flame retardants meet JS709B low halogen requirements of <=1000ppm threshold. Antimony trioxide based flame retardants must also meet the <=1000ppm threshold requirement.

(3) MSL, Peak Temp. - The Moisture Sensitivity Level rating according to the JEDEC industry standard classifications, and peak solder temperature.

(4) There may be additional marking, which relates to the logo, the lot trace code information, or the environmental category on the device.

(5) Multiple Device Markings will be inside parentheses. Only one Device Marking contained in parentheses and separated by a "-" will appear on a device. If a line is indented then it is a continuation of the previous line and the two combined represent the entire Device Marking for that device.

(6) Lead finish/Ball material - Orderable Devices may have multiple material finish options. Finish options are separated by a vertical ruled line. Lead finish/Ball material values may wrap to two lines if the finish value exceeds the maximum column width.

Important Information and Disclaimer: The information provided on this page represents TI's knowledge and belief as of the date that it is provided. TI bases its knowledge and belief on information provided by third parties, and makes no representation or warranty as to the accuracy of such information. Efforts are underway to better integrate information from third parties. TI has taken and continues to take reasonable steps to provide representative and accurate information but may not have conducted destructive testing or chemical analysis on incoming materials and chemicals. TI and TI suppliers consider certain information to be proprietary, and thus CAS numbers and other limited information may not be available for release.

In no event shall TI's liability arising out of such information exceed the total purchase price of the TI part(s) at issue in this document sold by TI to Customer on an annual basis.

TAPE AND REEL INFORMATION



QUADRANT ASSIGNMENTS FOR PIN 1 ORIENTATION IN TAPE



*All dimensions are nominal

| Device | Package Type | Package Drawing | Pins | SPQ | Reel Diameter (mm) | Reel Width W1 (mm) | A0 (mm) | B0 (mm) | K0 (mm) | P1 (mm) | W (mm) | Pin1 Quadrant |
|-------------|--------------|-----------------|------|------|--------------------|--------------------|---------|---------|---------|---------|--------|---------------|
| DRV8424PWPR | HTSSOP | PWP | 28 | 2500 | 330.0 | 16.4 | 6.9 | 10.2 | 1.8 | 12.0 | 16.0 | Q1 |
| DRV8424RGER | VQFN | RGE | 24 | 3000 | 330.0 | 12.4 | 4.25 | 4.25 | 1.15 | 8.0 | 12.0 | Q2 |

TAPE AND REEL BOX DIMENSIONS


*All dimensions are nominal

| Device | Package Type | Package Drawing | Pins | SPQ | Length (mm) | Width (mm) | Height (mm) |
|-------------|--------------|-----------------|------|------|-------------|------------|-------------|
| DRV8424PWPR | HTSSOP | PWP | 28 | 2500 | 853.0 | 449.0 | 35.0 |
| DRV8424RGER | VQFN | RGE | 24 | 3000 | 367.0 | 367.0 | 35.0 |

GENERIC PACKAGE VIEW

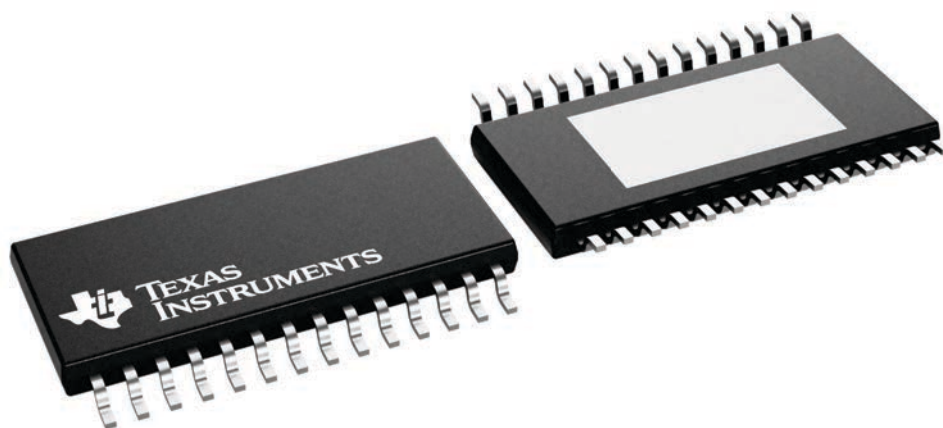
PWP 28

PowerPAD™ TSSOP - 1.2 mm max height

4.4 x 9.7, 0.65 mm pitch

SMALL OUTLINE PACKAGE

This image is a representation of the package family, actual package may vary.
Refer to the product data sheet for package details.



4224765/B

RGE 24

GENERIC PACKAGE VIEW

VQFN - 1 mm max height

PLASTIC QUAD FLATPACK - NO LEAD



Images above are just a representation of the package family, actual package may vary.
Refer to the product data sheet for package details.

4204104/H

RGE0024B



PACKAGE OUTLINE

VQFN - 1 mm max height

PLASTIC QUAD FLATPACK - NO LEAD



4219013/A 05/2017

NOTES:

1. All linear dimensions are in millimeters. Any dimensions in parenthesis are for reference only. Dimensioning and tolerancing per ASME Y14.5M.
2. This drawing is subject to change without notice.
3. The package thermal pad must be soldered to the printed circuit board for thermal and mechanical performance.

EXAMPLE STENCIL DESIGN

RGE0024B

VQFN - 1 mm max height

PLASTIC QUAD FLATPACK - NO LEAD



SOLDER PASTE EXAMPLE
BASED ON 0.125 mm THICK STENCIL

EXPOSED PAD 25
78% PRINTED SOLDER COVERAGE BY AREA UNDER PACKAGE
SCALE:20X

4219013/A 05/2017

NOTES: (continued)

6. Laser cutting apertures with trapezoidal walls and rounded corners may offer better paste release. IPC-7525 may have alternate design recommendations.

IMPORTANT NOTICE AND DISCLAIMER

TI PROVIDES TECHNICAL AND RELIABILITY DATA (INCLUDING DATASHEETS), DESIGN RESOURCES (INCLUDING REFERENCE DESIGNS), APPLICATION OR OTHER DESIGN ADVICE, WEB TOOLS, SAFETY INFORMATION, AND OTHER RESOURCES "AS IS" AND WITH ALL FAULTS, AND DISCLAIMS ALL WARRANTIES, EXPRESS AND IMPLIED, INCLUDING WITHOUT LIMITATION ANY IMPLIED WARRANTIES OF MERCHANTABILITY, FITNESS FOR A PARTICULAR PURPOSE OR NON-INFRINGEMENT OF THIRD PARTY INTELLECTUAL PROPERTY RIGHTS.

These resources are intended for skilled developers designing with TI products. You are solely responsible for (1) selecting the appropriate TI products for your application, (2) designing, validating and testing your application, and (3) ensuring your application meets applicable standards, and any other safety, security, or other requirements. These resources are subject to change without notice. TI grants you permission to use these resources only for development of an application that uses the TI products described in the resource. Other reproduction and display of these resources is prohibited. No license is granted to any other TI intellectual property right or to any third party intellectual property right. TI disclaims responsibility for, and you will fully indemnify TI and its representatives against, any claims, damages, costs, losses, and liabilities arising out of your use of these resources.

TI's products are provided subject to TI's Terms of Sale (<https://www.ti.com/legal/termsofsale.html>) or other applicable terms available either on [ti.com](https://www.ti.com) or provided in conjunction with such TI products. TI's provision of these resources does not expand or otherwise alter TI's applicable warranties or warranty disclaimers for TI products.

Mailing Address: Texas Instruments, Post Office Box 655303, Dallas, Texas 75265
Copyright © 2021, Texas Instruments Incorporated