

SPECIFICATIONS

Rated(额定参数): 300V,1.5A
 Dielectric strength(抗电强度): AC2500V/1 Minute
 Insulation Resistance(绝缘电阻):1000MΩ Min
 Contact Resistance(接触电阻):20mΩ Max
 Screw Torque(扭矩): 0.5Nm (4.5Lb.in)
 Wire Range(线径):1.2~28AWG
 Temp. range(操作温度): -40°C~+105°C
 MAX Soldering(瞬时温度):+250°C,5s

Housing Material(塑件): PA66 (UL94 V-0)
 Contact(端子): Phosphor Bronze, Tin plating(磷铜镀锡)
 Clamp(方块): Brass/Steel(铜/铁), Ni plating(镀镍)
 Screw (螺丝): M2.5 Steel, Zinc plating(钢,镀锌)

	PITCH RANGE		NOMINAL DIMENSION RANGE				
	IN MM	OVER	IN MM	OVER	OVER	OVER	OVER
TO 6	6	10	TO 30	60	100	100	OVER 150
TO 10	10	24	TO 30	60	100	150	OVER 150
±0.10	±0.15	±0.25	±0.30	±0.30	±0.50	±0.70	±1.00

Ordering Information

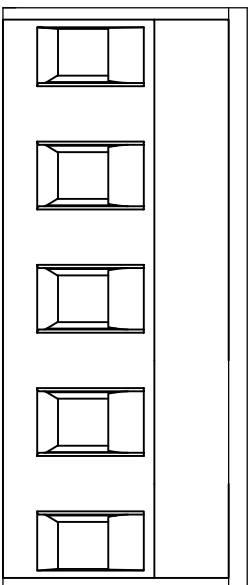
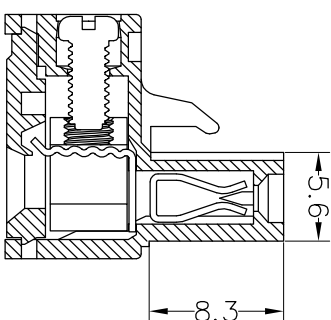
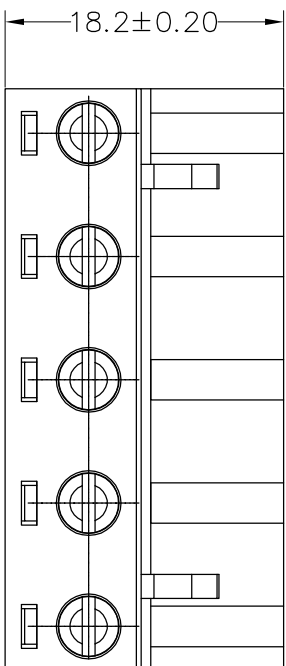
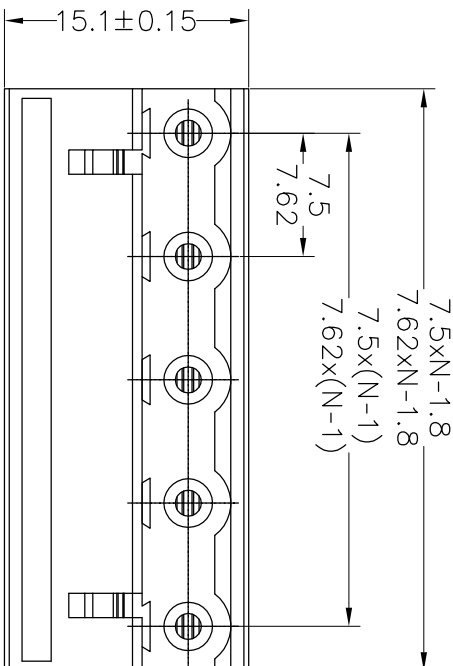
JL2EDGK-XXX XX G X 1

Pitch
 750=7.5PH
 762=7.62PH

No.of pins
 2P,3P,4P~12P

Housing Color
 B=Black
 G=Green
 U=Blue
 R=Red
 W=White
 Y=Yellow
 O=Orange
 E=Grey

Packing
 O=Pe bag
 T=Tube
 A=Troy



OPERATION	DRAW	SCALE	FIT
XX	yiyusheng	UNIT	mm
X:XX	CHECK	SIZE	A4
X:XXX	±0.20	SHEET	1/1
Angle	±0.10	PROJ.	1/1
DIM	±3'		

REV	DATE	MODIFICATION DESCRIPTION	CHANGE
A0	2017.01.05	NEW DRAWING	
1			

JILIN 深圳市锦凌电子有限公司
 SHENZHEN JINLING ELECTRONIC CO.,LTD
 Tel: 86-755-2997-5806/5802 Fax: 86-755-2997-5992

PART NO. JL2EDGK-XXXXXXG1
 TITLE: 7.5/7.62mm Pitch Female Pluggable Terminal Blocks