

4

3

2

1

THIS DRAWING IS UNPUBLISHED.

RELEASED FOR PUBLICATION

OCT ,2005.

© COPYRIGHT 2005 BY TYCO ELECTRONICS CORPORATION. ALL RIGHTS RESERVED.

LOC

DIST

REVISIONS

E B

P

LTR

DESCRIPTION

DATE

DWN

APVD

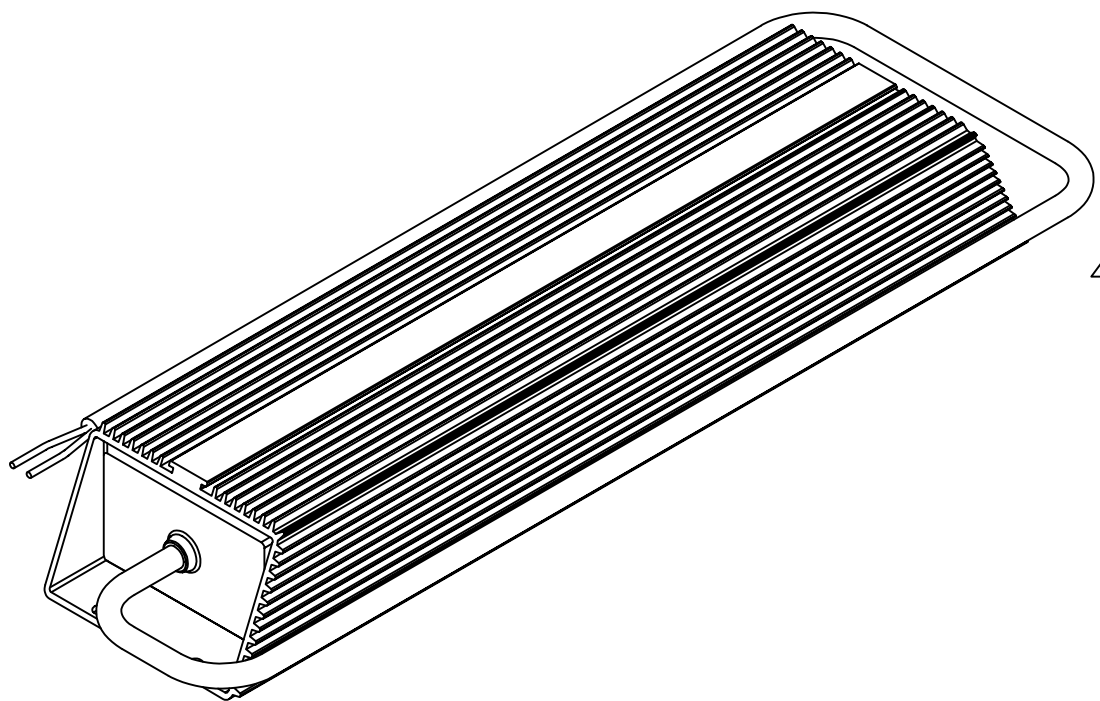
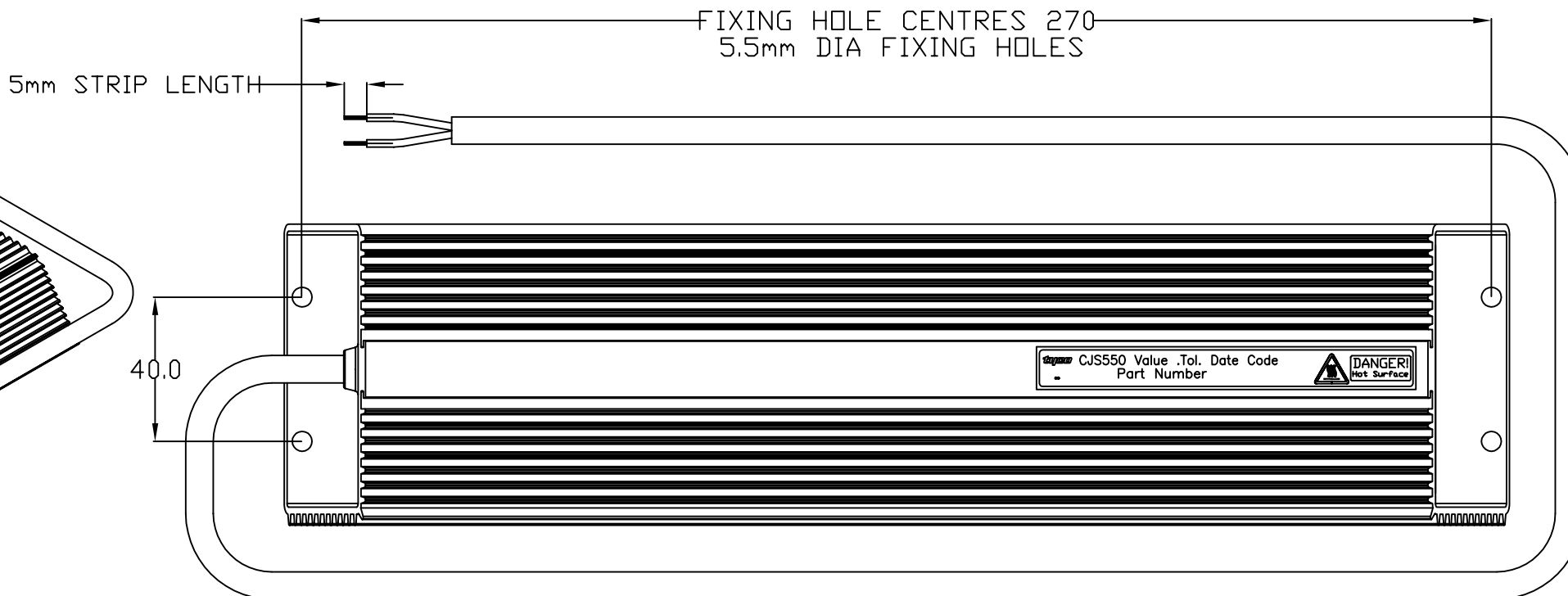
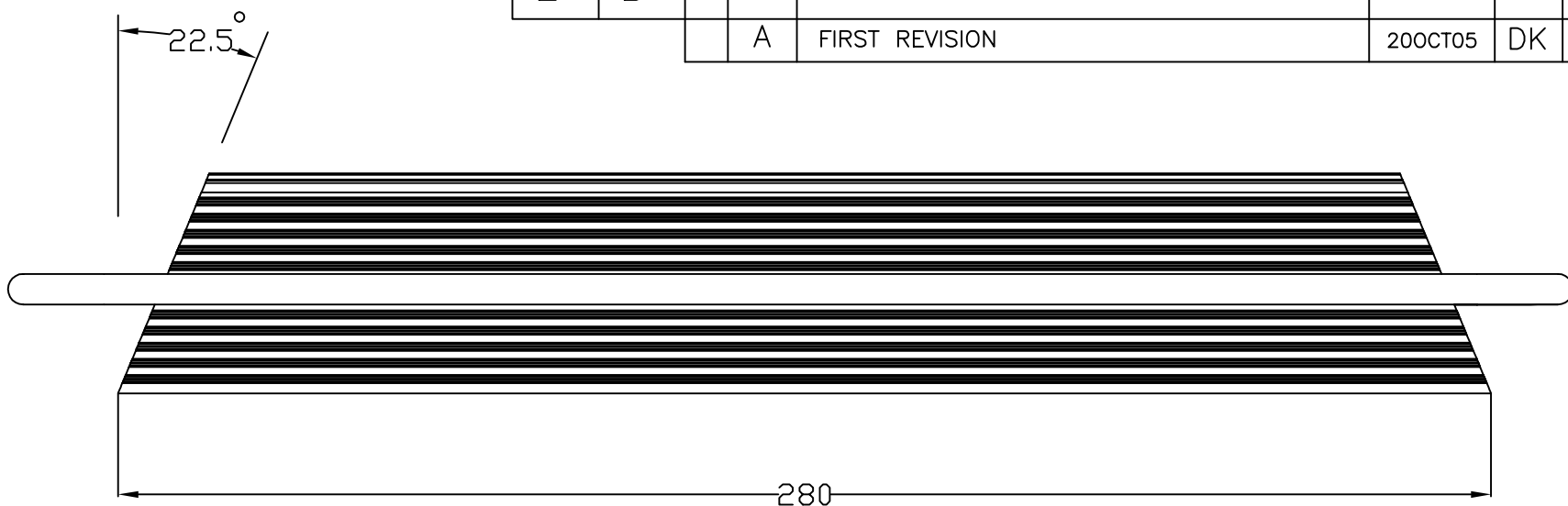
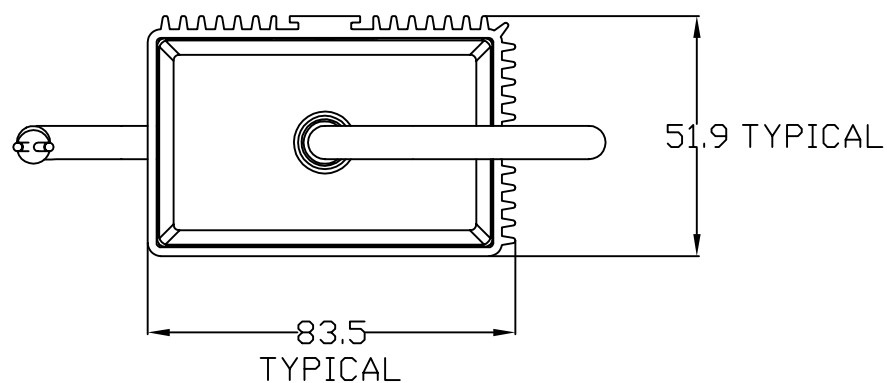
A

FIRST REVISION

200CT05

DK

JC



CABLE:Silicone Rubber Insulated
 2 core x 30/0.25mm nickel plated copper conductors
 Inner cores R.T.I. 0.6mm Grade GPC – Colour Blue
 Outer sheath to O.D. 6.7mm Grade GPC – Colour Black
 CONTACT TYCO FOR INFORMATION ON CABLE LENGTH

FOR A SPECIFIC PN FOR A RESISTANCE VALUE AND TOLERANCE, PLEASE REFER TO DMF.

RoHS Compliant

| | | | | | | |
|--|--|--------------------------------|-------------------|------------------|--|-------------------------|
| THIS DRAWING IS A CONTROLLED DOCUMENT. | | DWN DAVE KENNEDY 19OCT05 | | | Tyco Electronics Corporation Dorcan, Swindon, SN3 5HH | |
| DIMENSIONS: INCHES | | CHK J CATCHPOLE 200CT05 | NAME CJS550 | | RESTRICTED TO | |
| TOLERANCES UNLESS OTHERWISE SPECIFIED: | | APVD J CATCHPOLE 200CT05 | PRODUCT SPEC - | | APPLICATION SPEC - | |
| | | WEIGHT - | | SIZE A3 | CAGE CODE 00779 | DRAWING NO C=1676494 |
| MATERIAL - | | FINISH - | | CUSTOMER DRAWING | | SCALE NTS |
| | | | | SHEET 1 OF 1 | | REV A |