

120-MHz 32-bit RX MCU, on-chip FPU, 240 DMIPS, up to 4-MB flash memory, 512-KB SRAM, various communications interfaces including IEEE 1588-compliant Ethernet MAC, full-speed USB 2.0 with battery charging, SD host interface (optional), quad SPI, and CAN, 12-bit A/D converter, RTC, encryption (optional), serial interface for audio, CMOS camera interface

Features

■ 32-bit RXv2 CPU core

- Max. operating frequency: 120 MHz
Capable of 240 DMIPS in operation at 120 MHz
- Single precision 32-bit IEEE-754 floating point
- Two types of multiply-and-accumulation unit (between memories and between registers)
- 32-bit multiplier (fastest instruction execution takes one CPU clock cycle)
- Divider (fastest instruction execution takes two CPU clock cycles)
- Fast interrupt
- CISC Harvard architecture with 5-stage pipeline
- Variable-length instructions: Ultra-compact code
- Supports the memory protection unit (MPU)
- JTAG and FINE (one-line) debugging interfaces

■ Low-power design and architecture

- Operation from a single 2.7- to 3.6-V supply
- Low power consumption: A product that supports all peripheral functions draws only 0.3mA/MHz (Typ.).
- RTC is capable of operation from a dedicated power supply.
- Four low-power modes

■ On-chip code flash memory, no wait states

- Supports versions with up to 4 Mbytes of ROM
- 120-MHz operation, 8.3-ns read cycle (no wait states)
- User code is programmable by on-board or off-board programming.
- Programming/erasing as background operations (BGOs)

■ On-chip data flash memory

- 64 Kbytes, reprogrammable up to 100,000 times
- Programming/erasing as background operations (BGOs)

■ On-chip SRAM

- 512 Kbytes of SRAM (no wait states)
- 32 Kbytes of RAM with ECC (one wait state, single-error correction and double error detection)
- 8 Kbytes of standby RAM (backup on deep software standby)

■ Data transfer

- DMAC: 8 channels
- DTC
- EXDMAC: 2 channels
- DMAC for the Ethernet controller: 3 channels for 176- and 177-pin products; 2 channels for 100-, 144-, and 145-pin products

■ Reset and supply management

- Power-on reset (POR)
- Low voltage detection (LVD) with voltage settings

■ Clock functions

- External crystal resonator or internal PLL for operation at 8 to 24 MHz
- Internal 240-kHz LOCO and HOCO selectable from 16, 18, and 20 MHz
- 120-kHz clock for the IWDTa

■ Real-time clock

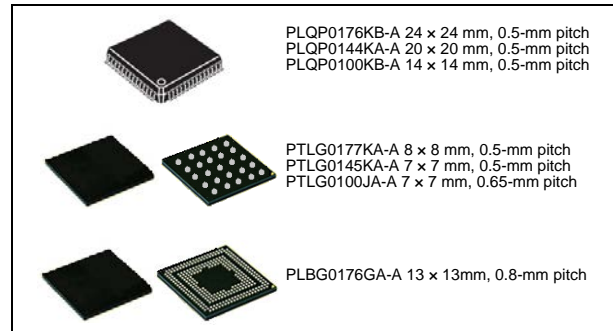
- Adjustment functions (30 seconds, leap year, and error)
- Real-time clock counting and binary counting modes are selectable
- Time capture function
(for capturing times in response to event-signal input)

■ Independent watchdog timer

- 120-kHz (1/2 LOCO frequency) clock operation

■ Useful functions for IEC60730 compliance

- Oscillation-stoppage detection, frequency measurement, CRC, IWDTa, self-diagnostic function for the A/D converter, etc.
- Register write protection function can protect values in important registers against overwriting.



■ Various communications interfaces

- IEEE 1588-compliant Ethernet MAC (for 176- and 177-pin products: 2 modules)
- PHY layer for host/function or OTG controller (1) with full-speed USB 2.0 with battery charging transfer (only for 176- and 177-pin products)
- PHY layer (1) for host/function or OTG controller (1) with full-speed USB 2.0 transfer
- CAN (compliant with ISO11898-1), incorporating 32 mailboxes (up to 3 modules)
- SCIG and SCIH with multiple functionalities (up to 9)
Choose from among asynchronous mode, clock-synchronous mode, smart-card interface mode, simplified SPI, simplified I²C, and extended serial mode.
- SCIFA with 16-byte transmission and reception FIFOs (up to 4 interfaces)
- I²C bus interface for transfer at up to 1 Mbps (up to 2 interfaces)
- Four-wire QSPI (1 interface) in addition to RSPIa (1 interface)
- Parallel data capture unit (PDC) for the CMOS camera interface (not in 100-pin products)
- SD host interface (optional: 1 interface) with a 1- or 4-bit SD bus for use with SD memory or SDIO

■ External address space

- Buses for full-speed data transfer (max. operating frequency of 60 MHz)
- 8 CS areas
- 8-, 16-, or 32-bit bus space is selectable per area
- Independent SDRAM area (128 Mbytes)

■ Up to 29 extended-function timers

- 16-bit TPUa, MTU3a, and GPTA: input capture, output compare, PWM waveform output
- 8-bit TMRa (4 channels), 16-bit CMT (4 channels), 32-bit CMTW (2 channels)

■ 12-bit A/D converter

- Two 12-bit units (8 channels for unit 0; 21 channels for unit 1)
- Self diagnosis
- Detection of analog input disconnection

■ 12-bit D/A converter: 2 channels

- On-chip operational amplifier output or direct input selectable

■ Temperature sensor for measuring temperature within the chip

■ Encryption (optional)

- AES (key lengths: 128, 192, and 256 bits)
- DES (key lengths: 56 bits (DES); 3 × 56 bits (T-DES))
- SHA (SHA-1 (128), SHA-2 (224 or 256), HMAC (160, 224, or 256))

■ Up to 127 pins for general I/O ports

- 5-V tolerance, open drain, input pull-up, switchable driving ability

■ Operating temp. range

- -40°C to +85°C

1. Overview

1.1 Outline of Specifications

Table 1.1 lists the specifications in outline, and Table 1.2 gives a comparison of the functions of products in different packages.

Table 1.1 shows the outline of maximum specifications, and the number of peripheral module channels differs depending on the pin number on the package and the code flash memory capacity. For details, see Table 1.2, Comparison of Functions for Different Packages.

Table 1.1 Outline of Specifications (1/9)

| Classification | Module/Function | Description |
|-----------------|---|---|
| CPU | CPU | <ul style="list-style-type: none"> Maximum operating frequency: 120 MHz 32-bit RX CPU (RXv2) Minimum instruction execution time: One instruction per state (cycle of the system clock) Address space: 4-Gbyte linear Register set of the CPU <ul style="list-style-type: none"> General purpose: Sixteen 32-bit registers Control: Ten 32-bit registers Accumulator: Two 72-bit registers Basic instructions: 75 Floating-point instructions: 11 DSP instructions: 23 Addressing modes: 11 Data arrangement <ul style="list-style-type: none"> Instructions: Little endian Data: Selectable as little endian or big endian On-chip 32-bit multiplier: $32 \times 32 \rightarrow 64$ bits On-chip divider: $32 / 32 \rightarrow 32$ bits Barrel shifter: 32 bits |
| | FPU | <ul style="list-style-type: none"> Single precision (32-bit) floating point Data types and floating-point exceptions in conformance with the IEEE754 standard |
| Memory | Code flash memory | <ul style="list-style-type: none"> Capacity: 2 Mbytes, 2.5 Mbytes, 3 Mbytes, 4 Mbytes 120 MHz, no-wait access On-board programming: Four types Off-board programming (parallel programmer mode) The trusted memory (TM) function protects against the reading of programs from blocks 8 and 9. |
| | Data flash memory | <ul style="list-style-type: none"> Capacity: 64 Kbytes Programming/erasing: 100,000 times |
| | RAM | <ul style="list-style-type: none"> Capacity: 512 Kbytes 120 MHz, no-wait access SED (single error detection) |
| | Unique ID | <ul style="list-style-type: none"> 12-byte length ID unique to the device |
| | RAM with ECC | <ul style="list-style-type: none"> Capacity: 32 Kbytes 120 MHz, single wait access SEC-DED (single error correction/double error detection) |
| | Standby RAM | <ul style="list-style-type: none"> Capacity: 8 Kbytes Operation synchronized with PCLKB: Up to 60 MHz, two-cycle access |
| Operating modes | <ul style="list-style-type: none"> Operating modes by the mode-setting pins at the time of release from the reset state <ul style="list-style-type: none"> Single-chip mode Boot mode (for the SCI interface) Boot mode (for the USB interface) User boot mode Selection of operating mode by register setting <ul style="list-style-type: none"> Single-chip mode, user boot mode On-chip ROM disabled extended mode On-chip ROM enabled extended mode Endian selectable | |

Table 1.1 Outline of Specifications (2/9)

| Classification | Module/Function | Description |
|----------------------------------|----------------------------------|--|
| Clock | Clock generation circuit | <ul style="list-style-type: none"> • Main clock oscillator, sub clock oscillator, low-speed/high-speed on-chip oscillator, PLL frequency synthesizer, and IWDT-dedicated on-chip oscillator • The peripheral module clocks can be set to frequencies above that of the system clock. • Main-clock oscillation stoppage detection • Separate frequency-division and multiplication settings for the system clock (ICKL), peripheral module clocks (PCLKA, PCLKB, PCLKC, PCLKD), flash-IF clock (FCLK) and external bus clock (BCLK) <p>The CPU and other bus masters run in synchronization with the system clock (ICKL): Up to 120 MHz</p> <p>Peripheral modules of MTU3, GPT, RSPI, SCIFA, USB, ETHERC, EPTPC, EDMAC, and AES run in synchronization with PCLKA, which operates at up to 120 MHz.</p> <p>Other peripheral modules run in synchronization with PCLKB: Up to 60 MHz</p> <p>ADCLK in the SD12AD (unit 0) runs in synchronization with PCLKC: Up to 60 MHz</p> <p>ADCLK in the SD12AD (unit 1) runs in synchronization with PCLKD: Up to 60 MHz</p> <p>Flash IF run in synchronization with the flash-IF clock (FCLK): Up to 60 MHz</p> <p>Devices connected to the external bus run in synchronization with the external bus clock (BCLK): Up to 60 MHz</p> <ul style="list-style-type: none"> • Multiplication is possible with using the high-speed on-chip oscillator (HOCO) as a reference clock of the PLL circuit |
| Reset | | <p>Nine types of reset</p> <ul style="list-style-type: none"> • RES# pin reset: Generated when the RES# pin is driven low. • Power-on reset: Generated when the RES# pin is driven high and VCC = AVCC0 = AVCC1 rises. • Voltage-monitoring 0 reset: Generated when VCC = AVCC0 = AVCC1 falls. • Voltage-monitoring 1 reset: Generated when VCC = AVCC0 = AVCC1 falls. • Voltage-monitoring 2 reset: Generated when VCC = AVCC0 = AVCC1 falls. • Deep software standby reset: Generated in response to an interrupt to trigger release from deep software standby. • Independent watchdog timer reset: Generated when the independent watchdog timer underflows, or a refresh error occurs. • Watchdog timer reset: Generated when the watchdog timer underflows, or a refresh error occurs. • Software reset: Generated by register setting. |
| Power-on reset | | <p>If the RES# pin is at the high level when power is supplied, an internal reset is generated. After VCC = AVCC0 = AVCC1 has exceeded the voltage detection level and the specified period has elapsed, the reset is cancelled.</p> |
| Voltage detection circuit (LVDA) | | <p>Monitors the voltage being input to the VCC = AVCC0 = AVCC1 pins and generates an internal reset or internal interrupt.</p> <ul style="list-style-type: none"> • Voltage detection circuit 0 <ul style="list-style-type: none"> Capable of generating an internal reset The option-setting memory can be used to select enabling or disabling of the reset. Voltage detection level: Selectable from three different levels (2.94 V, 2.87 V, and 2.80 V) • Voltage detection circuits 1 and 2 <ul style="list-style-type: none"> Voltage detection level: Selectable from three different levels (2.99 V, 2.92 V, and 2.85 V) Digital filtering (1/2, 1/4, 1/8, and 1/16 LOCO frequency) Capable of generating an internal reset • Two types of timing are selectable for release from reset An internal interrupt can be requested. • Detection of voltage rising above and falling below thresholds is selectable. • Maskable or non-maskable interrupt is selectable Voltage detection monitoring Event linking |
| Low power consumption | Low power consumption facilities | <ul style="list-style-type: none"> • Module stop function • Four low power consumption modes <p>Sleep mode, all-module clock stop mode, software standby mode, and deep software standby mode</p> |
| | Battery backup function | <ul style="list-style-type: none"> • When the voltage on the VCC pin drops, battery power from the VBATT pin is supplied to keep the real-time clock (RTC) operating. |

Table 1.1 Outline of Specifications (3/9)

| Classification | Module/Function | Description |
|-----------------------------|---------------------------------|---|
| Interrupt | Interrupt controller (ICUA) | <ul style="list-style-type: none"> Peripheral function interrupts: 293 sources External interrupts: 16 (pins IRQ0 to IRQ15) Software interrupts: 2 sources Non-maskable interrupts: 7 sources Sixteen levels specifiable for the order of priority Method of interrupt source selection: The interrupt vectors consist of 256 vectors (128 sources are fixed. The remaining 128 vectors are selected from among the other 156 sources.) |
| External bus extension | | <ul style="list-style-type: none"> The external address space can be divided into eight areas (CS0 to CS7), each with independent control of access settings. Capacity of each area: 16 Mbytes (CS0 to CS7) A chip-select signal (CS0# to CS7#) can be output for each area. Each area is specifiable as an 8-, 16-, or 32-bit bus space. The data arrangement in each area is selectable as little or big endian (only for data). SDRAM interface connectable Bus format: Separate bus, multiplex bus Wait control Write buffer facility |
| DMA | DMA controller (DMACa) | <ul style="list-style-type: none"> 8 channels Three transfer modes: Normal transfer, repeat transfer, and block transfer Request sources: Software trigger, external interrupts, and interrupt requests from peripheral functions |
| | EXDMA controller (EXDMACa) | <ul style="list-style-type: none"> 2 channels Four transfer modes: Normal transfer, repeat transfer, block transfer, and cluster transfer Single-address transfer enabled with the EDACKn signal Request sources: Software trigger, external DMA requests (EDREQn), and interrupt requests from peripheral functions |
| | Data transfer controller (DTCa) | <ul style="list-style-type: none"> Three transfer modes: Normal transfer, repeat transfer, and block transfer Request sources: External interrupts and interrupt requests from peripheral functions |
| I/O ports | Programmable I/O ports | <ul style="list-style-type: none"> I/O ports for the 177-pin TFLGA, 176-pin LFBGA, and 176-pin LQFP I/O pins: 127 Input pin: 1 Pull-up resistors: 127 Open-drain outputs: 127 5-V tolerance: 19 I/O ports for the 145-pin TFLGA and 144-pin LQFP I/O pins: 111 Input pin: 1 Pull-up resistors: 111 Open-drain outputs: 111 5-V tolerance: 18 I/O ports for the 100-pin TFLGA and 100-pin LQFP I/O pins: 78 Input pin: 1 Pull-up resistors: 78 Open-drain outputs: 78 5-V tolerance: 17 |
| Event link controller (ELC) | | <ul style="list-style-type: none"> Event signals such as interrupt request signals can be interlinked with the operation of functions such as timer counting, eliminating the need for intervention by the CPU to control the functions. 119 internal event signals can be freely combined for interlinked operation with connected functions. Event signals from peripheral modules can be used to change the states of output pins (of ports B and E). Changes in the states of pins (of ports B and E) being used as inputs can be interlinked with the operation of peripheral modules. |

Table 1.1 Outline of Specifications (4/9)

| Classification | Module/Function | Description |
|----------------|--|--|
| Timers | 16-bit timer pulse unit (TPUa) | <ul style="list-style-type: none"> • (16 bits × 6 channels) × 1 unit • Maximum of 16 pulse-input/output possible • Select from among seven or eight counter-input clock signals for each channel • Input capture/output compare function • Output of PWM waveforms in up to 15 phases in PWM mode • Support for buffered operation, phase-counting mode (two phase encoder input) and cascade-connected operation (32 bits × 2 channels) depending on the channel. • PPG output trigger can be generated • Capable of generating conversion start triggers for the A/D converters • Digital filtering of signals from the input capture pins • Event linking by the ELC |
| Timers | Multifunction timer pulse unit (MTU3a) | <ul style="list-style-type: none"> • 9 channels (16 bits × 8 channels, 32 bits × 1 channel) • Maximum of 28 pulse-input/output and 3 pulse-input possible • Select from among 14 counter-input clock signals for each channel (PCLKA/1, PCLKA/2, PCLKA/4, PCLKA/8, PCLKA/16, PCLKA/32, PCLKA/64, PCLKA/256, PCLKA/1024, MTCLKA, MTCLKB, MTCLKC, MTCLKD, MTIOC1A) 14 of the signals are available for channel 0, 12 are available for channel 2, 11 are available for channels 1, 3, 4, 6 to 8, and 10 are available for channel 5. • Input capture function • 39 output compare/input capture registers • Counter clear operation (synchronous clearing by compare match/input capture) • Simultaneous writing to multiple timer counters (TCNT) • Simultaneous register input/output by synchronous counter operation • Buffered operation • Support for cascade-connected operation • 43 interrupt sources • Automatic transfer of register data • Pulse output mode Toggle/PWM/complementary PWM/reset-synchronized PWM • Complementary PWM output mode Outputs non-overlapping waveforms for controlling 3-phase inverters Automatic specification of dead times PWM duty cycle: Selectable as any value from 0% to 100% Delay can be applied to requests for A/D conversion. Non-generation of interrupt requests at peak or trough values of counters can be selected. Double buffer configuration • Reset synchronous PWM mode Three phases of positive and negative PWM waveforms can be output with desired duty cycles. • Phase-counting mode: 16-bit mode (channels 1 and 2); 32-bit mode (channels 1 and 2) • Counter functionality for dead-time compensation • Generation of triggers for A/D converter conversion • A/D converter start triggers can be skipped • Digital filter function for signals on the input capture and external counter clock pins • PPG output trigger can be generated • Event linking by the ELC |
| | Port output enable 3 (POE3a) | <ul style="list-style-type: none"> • Control of the high-impedance state of the MTU3/GPT's waveform output pins • 5 pins for input from signal sources: POE0, POE4, POE8, POE10, POE11 • Initiation on detection of short-circuited outputs (detection of simultaneous PWM output to the active level) • Initiation by oscillation-stoppage detection or software • Additional programming of output control target pins is enabled |

Table 1.1 Outline of Specifications (5/9)

| Classification | Module/Function | Description |
|----------------|------------------------------------|---|
| Timers | General PWM timer (GPTA) | <ul style="list-style-type: none"> • 16 bits × 4 channels • Counting up or down (saw-wave), counting up and down (triangle-wave) selectable for all channels • Four clock sources independently selectable for all channels (PCLKA/1, PCLKA/4, PCLKA/8, PCLKA/16) • 2 input/output pins per channel • 2 output compare/input capture registers per channel • For the 2 output compare/input capture registers of each channel, 4 registers are provided as buffer registers and are capable of operating as comparison registers when buffering is not in use. • In output compare operation, buffer switching can be at peaks or troughs, enabling the generation of laterally asymmetrically PWM waveforms. • Registers for setting up frame intervals on each channel (with capability for generating interrupts on overflow or underflow) • Synchronizable operation of the several counters • Modes of synchronized operation (synchronized, or displaced by desired times for phase shifting) • Generation of dead times in PWM operation • Through combination of three counters, generation of automatic three-phase PWM waveforms incorporating dead times • Starting, clearing, and stopping counters in response to external or internal triggers • Internal trigger sources: output of the internal comparator detection, software, and compare-match • Digital filter function for signals on the input capture and external trigger pins • Event linking by the ELC |
| | Programmable pulse generator (PPG) | <ul style="list-style-type: none"> • (4 bits × 4 groups) × 2 units • Pulse output with the MTU or TPU output as a trigger • Maximum of 32 pulse-output possible |
| | 8-bit timers (TMRb) | <ul style="list-style-type: none"> • (8 bits × 2 channels) × 2 units • Select from among seven internal clock signals (PCLKB/1, PCLKB/2, PCLKB/8, PCLKB/32, PCLKB/64, PCLKB/1024, PCLKB/8192) and one external clock signal • Capable of output of pulse trains with desired duty cycles or of PWM signals • The 2 channels of each unit can be cascaded to create a 16-bit timer • Generation of triggers for A/D converter conversion • Capable of generating baud-rate clocks for SCI5, SCI6, and SCI12 • Event linking by the ELC |
| | Compare match timer (CMT) | <ul style="list-style-type: none"> • (16 bits × 2 channels) × 2 units • Select from among four internal clock signals (PCLKB/8, PCLKB/32, PCLKB/128, PCLKB/512) • Event linking by the ELC |
| | Compare match timer W (CMTW) | <ul style="list-style-type: none"> • (32 bits × 1 channel) × 2 units • Compare-match, input-capture input, and output-comparison output are available. • Select from among four internal clock signals (PCLKB/8, PCLKB/32, PCLKB/128, PCLKB/512) • Interrupt requests can be output in response to compare-match, input-capture, and output-comparison events. • Event linking by the ELC |
| | Realtime clock (RTCd) | <ul style="list-style-type: none"> • Clock sources: Main clock, sub clock • Selection of the 32-bit binary count in time count/second unit possible • Clock and calendar functions • Interrupt sources: Alarm interrupt, periodic interrupt, and carry interrupt • Battery backup operation • Time-capture facility for three values • Event linking by the ELC |
| | Watchdog timer (WDTA) | <ul style="list-style-type: none"> • 14 bits × 1 channel • Select from among 6 counter-input clock signals (PCLKB/4, PCLKB/64, PCLKB/128, PCLKB/512, PCLKB/2048, PCLKB/8192) |
| | Independent watchdog timer (IWDTa) | <ul style="list-style-type: none"> • 14 bits × 1 channel • Counter-input clock: IWDT-dedicated on-chip oscillator • Dedicated clock/1, dedicated clock/16, dedicated clock/32, dedicated clock/64, dedicated clock/128, dedicated clock/256 • Window function: The positions where the window starts and ends are specifiable (the window defines the timing with which refreshing is enabled and disabled). • Event linking by the ELC |

Table 1.1 Outline of Specifications (6/9)

| Classification | Module/Function | Description |
|------------------------|--|---|
| Communication function | Ethernet controller (ETHERC) | <ul style="list-style-type: none"> • 2 channels • Input and output of Ethernet/IEEE 802.3 frames • Transfer at 10 or 100 Mbps • Full- and half-duplex modes • MII (Media Independent Interface) or RMII (Reduced Media Independent Interface) as defined in IEEE 802.3u • Detection of Magic Packets™*1 or output of a "wake-on-LAN" signal (WOL) • Compliance with flow control as defined in IEEE 802.3x standards • Filtering of multicast frames • Direct transfer of frames between two channels by cut-through |
| | PTP controller for Ethernet controller (EPTPC) | <ul style="list-style-type: none"> • A block compatible with the IEEE 1588 standard is connected to the Ethernet controller (ETHERC). • Matching with a time stamp can start counting by MTU3 and the GPT. |
| | DMA controller for Ethernet controller (EDMACa) | <ul style="list-style-type: none"> • 3 channels (the round-robin method determines the priority of the channels) 2 channels for ETHERC; 1 channel for EPTPC • Alleviation of CPU load by the descriptor control method • Transmission FIFO: 2 Kbytes; Reception FIFO: 4 Kbytes |
| | USB 2.0 FS host/function module (USBb) | <ul style="list-style-type: none"> • Includes a UDC (USB Device Controller) and transceiver for USB 2.0 FS • One port • Compliance with the USB 2.0 specification • Transfer rate: Full speed (12 Mbps), low speed (1.5 Mbps) (host only) • Both self-power mode and bus power are supported • OTG (On the Go) operation is possible (low-speed is not supported) • Incorporates 2 Kbytes of RAM as a transfer buffer • External pull-up and pull-down resistors are not required |
| | USB 2.0 FS host/function module with battery charging (USBA) | <ul style="list-style-type: none"> • Includes a UDC (USB Device Controller) and transceiver for USB 2.0 FS • One port (only in 176-pin devices) • Compliance with the USB 2.0 specification • Transfer rate: Full speed (12 Mbps), low speed (1.5 Mbps) (host only) • Both self-power mode and bus power are supported • OTG (On the Go) operation is possible (low-speed is not supported) • Incorporates 8.5 Kbytes of RAM as a transfer buffer • External pull-up and pull-down resistors are not required |
| | Serial communications interfaces (SCIg, SCIH) | <ul style="list-style-type: none"> • 9 channels (SCIg: 8 channels + SCIH: 1 channel) • SCIg <ul style="list-style-type: none"> Serial communications modes: Asynchronous, clock synchronous, and smart-card interface Multi-processor function On-chip baud rate generator allows selection of the desired bit rate Choice of LSB-first or MSB-first transfer Average transfer rate clock can be input from TMR timers for SCI5, SCI6, and SCI12 Start-bit detection: Level or edge detection is selectable. Simple I²C Simple SPI 9-bit transfer mode Bit rate modulation Double-speed mode Event linking by the ELC (only on channel 5) • SCIH (The following functions are added to SCIg) <ul style="list-style-type: none"> Supports the serial communications protocol, which contains the start frame and information frame Supports the LIN format |
| | Serial communications interface with FIFO (SCIFA) | <ul style="list-style-type: none"> • 4 channels • Methods of transfer: Asynchronous and clock synchronous • Desired bit rates can be selected from the internal baud rate generators. • LSB or MSB first is selectable. • Both the transmission and reception sections are equipped with 16-byte FIFO buffers, allowing continuous transmission and reception. • Bit rate modulation • Double-speed mode |

Table 1.1 Outline of Specifications (7/9)

| Classification | Module/Function | Description |
|------------------------|---|---|
| Communication function | I ² C bus interface (RIICa) | <ul style="list-style-type: none"> • 2 channels (only channel 0 can be used in fast-mode plus) • Communication formats • I²C bus format/SMBus format • Supports the multi-master • Max. transfer rate: 1 Mbps (channel 0) • Event linking by the ELC |
| | CAN module (CAN) | <ul style="list-style-type: none"> • 3 channels • Compliance with the ISO11898-1 specification (standard frame and extended frame) • 32 mailboxes per channel |
| | Serial peripheral interface (RSP1a) | <ul style="list-style-type: none"> • 1 channel • RSP1 transfer facility • Using the MOSI (master out, slave in), MISO (master in, slave out), SSL (slave select), and RSPCK (RSP1 clock) signals enables serial transfer through SPI operation (four lines) or clock-synchronous operation (three lines) • Capable of handling serial transfer as a master or slave • Data formats • Switching between MSB first and LSB first • The number of bits in each transfer can be changed to any number of bits from 8 to 16, or to 20, 24, or 32 bits. • 128-bit buffers for transmission and reception • Up to four frames can be transmitted or received in a single transfer operation (with each frame having up to 32 bits) • Buffered structure • Double buffers for both transmission and reception • RSPCK can be stopped with the receive buffer full for master reception. • Event linking by the ELC |
| | Quad serial peripheral interface (QSPI) | <ul style="list-style-type: none"> • 1 channel • Connectable with serial flash memory equipped with multiple input and output lines (i.e. for single, dual, or quad operation) • Programmable bit length and selectable active sense and phase of the clock signal • Sequential execution of transfer • LSB or MSB first is selectable. |
| | Serial sound interface (SSI) | <ul style="list-style-type: none"> • 2 channels • Full-duplex transfer is possible (only on channel 0). • Support for multiple audio formats • Support for master or slave operation • Bit clock frequency is selectable from four different types (16 fs, 32 fs, 48 fs, and 64 fs). • Support for 8-/16-/18-/20-/22-/24 bit data formats • Internal 8-stage FIFO for transmission and reception • Stopping SSIWS when data transfer is stopped is selectable. |
| | Sampling rate converter (SRC) | <ul style="list-style-type: none"> • 1 channel • Data formats: 32-bit stereo (16 bits for the left, 16 bits for the right) and 16-bit monaural. • Input sampling rates: 8, 11.025, 12, 16, 22.05, 24, 32, 44.1, 48 kHz • Output sampling rates: 32, 44.1, 48, 8*2 or 16 kHz*2 |
| | SD host interface (SDHI)*4 | <ul style="list-style-type: none"> • 1 channel • Transfer speed: Supports high-speed mode (15 MB/s) and default speed mode (10 MB/s) • One interface for SD memory and I/O cards (supporting 1- and 4-bit SD buses) • SD specifications • Part 1: Physical Layer Specification Ver. 3.01 compliant (DDR not supported) • Part E1: SDIO Specification Ver. 3.00 • Error checking: CRC7 for commands and CRC16 for data • Interrupt requests: Card access interrupt, SDIO access interrupt, card detection interrupt • DMA transfer requests: SD_BUF write and SD_BUF read • Support for card detection and write protection |
| | MMC host interface (MMCIF) | <ul style="list-style-type: none"> • 1 channel • Transfer speed: Supports high-speed mode (30 MB/s) and Backward-compatible mode (25 MB/s) • Compliant with JEDEC STANDARD JESD84-A441 (DDR is not supported) • Interface for Multimedia Cards (MMCs) • Device buses: Support for 1-, 4-, and 8-bit MMC buses • Interrupt requests: Card detection interrupt, error/timeout interrupt, normal operation interrupt • DMA transfer requests: CE_DATA write and CE_DATA read • Support for card detection, boot operation, high priority interrupt (HPI) |

Table 1.1 Outline of Specifications (8/9)

| Classification | Module/Function | Description |
|----------------|--|--|
| | Parallel data capture unit (PDC) | <ul style="list-style-type: none"> • 1 channel • Acquisition of synchronization through external 8-bit horizontal and vertical synchronization signals • Setting of the image size when clipping of the output for a one-frame image is required |
| | 12-bit A/D converter (S12ADC) | <ul style="list-style-type: none"> • 12 bits × 2 units (unit 0: 8 channels; unit 1: 21 channels) • 12-bit resolution (switchable between 8, 10, and 12 bits) • Conversion time <ul style="list-style-type: none"> 0.48 μs per channel (for 12-bit conversion) 0.45 μs per channel (for 10-bit conversion) 0.42 μs per channel (for 8-bit conversion) • Operating mode <ul style="list-style-type: none"> Scan mode (single scan mode, continuous scan mode, or group scan mode) Group A priority control (only for group scan mode) • Sample-and-hold function <ul style="list-style-type: none"> Common sample-and-hold circuit included In addition, channel-dedicated sample-and-hold function (3ch: in unit 0 only) included • Sampling variable <ul style="list-style-type: none"> Sampling time can be set up for each channel. • Digital comparison <ul style="list-style-type: none"> Method: Comparison to detect voltages above or below thresholds and window comparison Measurement: Comparison of two results of conversion or comparison of a value in the comparison register and a result of conversion • Self-diagnostic function <ul style="list-style-type: none"> The self-diagnostic function internally generates three analog input voltages (unit 0: VREFL0, VREFH0 × 1/2, VREFH0; unit 1: AVSS1, AVCC1 × 1/2, AVCC1) • Double trigger mode (A/D conversion data duplicated) • Detection of analog input disconnection • Three ways to start A/D conversion <ul style="list-style-type: none"> Software trigger, timer (MTU3, GPT, TMR, TPU) trigger, external trigger • Event linking by the ELC |
| | 12-bit D/A converter (R12DA) | <ul style="list-style-type: none"> • 2 channels • 12-bit resolution • Output voltage: 0.2 V to AVCC1 – 0.2 V (amplifier output), 0 V to AVCC1 (direct output) • Output via an amplifier or direct output can be selected. • Event linking by the ELC |
| | Temperature sensor | <ul style="list-style-type: none"> • 1 channel • Relative precision: ±1°C • The voltage of the temperature is converted into a digital value by the 12-bit A/D converter (unit 1). |
| Safety | Memory protection unit (MPU) | <ul style="list-style-type: none"> • Protection area: Eight areas (max.) can be specified in the range from 0000 0000h to FFFF FFFFh. • Minimum protection unit: 16 bytes • Reading from, writing to, and enabling the execution access can be specified for each area. • An address exception occurs when the detected access is not in the permitted area. |
| | Trusted Memory (TM) Function | <ul style="list-style-type: none"> • Protects against the reading of programs from blocks 8 and 9 of the code flash memory • Instruction fetching by the CPU is the only form of access to these areas when the TM function is enabled. |
| | Register write protection function | <ul style="list-style-type: none"> • Protects important registers from being overwritten for in case a program runs out of control. |
| | CRC calculator (CRC) | <ul style="list-style-type: none"> • CRC code generation for arbitrary amounts of data in 8-bit units • Select any of three generating polynomials: <ul style="list-style-type: none"> $X^8 + X^2 + X + 1$, $X^{16} + X^{15} + X^2 + 1$, or $X^{16} + X^{12} + X^5 + 1$ • Generation of CRC codes for use with LSB-first or MSB-first communications is selectable |
| | Main clock oscillation stop function | <ul style="list-style-type: none"> • Main clock oscillation stop detection: Available |
| | Clock frequency accuracy measurement circuit (CAC) | <ul style="list-style-type: none"> • Monitors the clock output from the main clock oscillator, sub-clock oscillator, low- and high-speed on-chip oscillators, the PLL frequency synthesizer, IWDG-dedicated on-chip oscillator, and PCLKB, and generates interrupts when the setting range is exceeded. |
| | Data operation circuit (DOC) | <ul style="list-style-type: none"> • The function to compare, add, or subtract 16-bit data |

Table 1.1 Outline of Specifications (9/9)

| Classification | Module/Function | Description |
|--------------------------|--|--|
| Encryption function | AES* ³ | <ul style="list-style-type: none"> • Key lengths: 128, 192, and 256 bits • Support for CBC, ECB, CFB, OFB, CTR, and CMAC operating modes • Speed of calculations: 128-bit key length in 22 cycles 192-bit key length in 26 cycles 256-bit key length in 30 cycles • Compliant with FIPS PUB 197 |
| | DES* ³ | <ul style="list-style-type: none"> • Key lengths: 56 bits (DES)/3 × 56 bits (T-DES) • Support for DES and triple DES • Support for ECB and CBC operating modes • Speed of calculations: 6 clock cycles in single DES mode 14 clock cycles in triple DES mode • Compliant with FIPS PUB 46-3 • Compliant with FIPS PUB 81 |
| | SHA* ³ | <ul style="list-style-type: none"> • Support for SHA-1 (128), SHA-2 (224 or 256), and HMAC (160, 224, or 256) • Speed of calculations: 50 clock cycles in SHA-1 mode 42 clock cycles in SHA-224 mode 42 clock cycles in SHA-256 mode • Compliant with SHA as defined in FIPS PUB 180-1 and -2 • Compliant with HMAC as defined in FIPS PUB 198 |
| | True random number generator (RNG)* ³ | <ul style="list-style-type: none"> • Length of random numbers: 16 bits • Generation of random-number-generated interrupts after a number is generated • Random number generation time: 3.6 ms (typ) |
| Operating frequency | | Up to 120 MHz |
| Power supply voltage | | VCC = AVCC0 = AVCC1 = VCC_USB = 2.7 to 3.6 V, 2.7 ≤ VREFH0 ≤ AVCC0, VCC_USBA = AVCC_USBA = 2.7 to 3.6 V, V _{BATT} = 2.0 to 3.6 V |
| Operating temperature | | D-version: -40 to +85°C G-version: -40 to +105°C (in planning) |
| Package | | 177-pin TFLGA (PTLG0177KA-A) 176-pin LFBGA (PLBG0176GA-A) 176-pin LFQFP (PLQP0176KB-A) 145-pin TFLGA (PTLG0145KA-A) 144-pin LFQFP (PLQP0144KA-A) 100-pin TFLGA (PTLG0100JA-A) 100-pin LFQFP (PLQP0100KB-A) |
| On-chip debugging system | | <ul style="list-style-type: none"> • E1 emulator (JTAG and FINE interfaces) • E20 emulator (JTAG interface) |

Note 1. Magic Packet™ is a registered trademark of Advanced Micro Devices, Inc.

Note 2. Setting is only possible when the input sampling rate 44.1 kHz is selected.

Note 3. The product part number differs according to whether or not it supports encryption.

Note 4. The product part number differs according to whether or not it includes an SDHI (SD host interface).

Table 1.2 Comparison of Functions for Different Packages (1/2)

| Functions | | RX64M Group | | |
|--|---|---------------------------------------|---|---------------------|
| Package | | 177 Pins, 176 Pins | 145 Pins, 144 Pins | 100 Pins |
| External bus | External bus width | 32 bits | 16 bits | |
| | SDRAM area controller | Available | | Not supported |
| DMA | DMA controller | Ch. 0 to 7 | | |
| | Data transfer controller | Available | | |
| | EXDMA controller | Ch. 0 and 1 | | |
| Timers | 16-bit timer pulse unit | Ch. 0 to 5 | | |
| | Multi-function timer pulse unit 3 | Ch. 0 to 8 | | |
| | General-purpose PWM timer | Ch. 0 to 3 | | |
| | Port output enable 3 | Available | | |
| | Programmable pulse generator | Ch. 0 and 1 | | |
| | 8-bit timers | Ch. 0 to 3 | | |
| | Compare match timer | Ch. 0 to 3 | | |
| | Compare match timer W | Ch. 0 and 1 | | |
| | Realtime clock | Available | | |
| | Watchdog timer | Available | | |
| | Independent watchdog timer | Available | | |
| Communication function | Ethernet controller | Ch. 0 and 1 | Ch. 0 | |
| | PTP controller for ethernet controller | Available | | |
| | DMAC controller for ethernet | Ch. 0 and 1 (ETHERC) Ch. 2 (EPTPC) | Ch. 0 (ETHERC) and 2 (EPTPC) | |
| | USB 2.0 FS host/function module | Ch. 0 | | |
| | USB 2.0 FS host/function module with battery charging | Available | Not supported | |
| | Serial communications interfaces (SCIg) | Ch. 0 to 7 | | Ch. 0 to 3, 5 and 6 |
| | Serial communications interfaces (SCIh) | Ch. 12 | | |
| | Serial communications interfaces with FIFO | Ch. 8 to 11 | | Ch. 8 and 9 |
| | I ² C bus interfaces | Ch. 0 and 2 | | |
| | Serial peripheral interface | Ch. 0 | | |
| | CAN module | Ch. 0 to 2 | | Ch. 0 and 1 |
| | Quad serial peripheral interface | Ch. 0 | | |
| | Serial sound interfaces | Ch. 0 and 1 | | |
| | Sampling rate converter | Available | | |
| | SD host interface | Ch. 0 | | |
| | MMC host interface | Ch. 0 | | |
| | Parallel data capture unit | Available | | Not supported |
| 12-bit A/D converter | AN000 to 007 (unit 0: 8 channels) AN100 to 120 (unit 1: 21 channels) | | AN000 to 007 (unit 0: 8 channels) AN100 to 113 (unit 1: 14 channels) | |
| 12-bit D/A converter | Ch. 0 and 1 | | Ch. 1 | |
| Temperature sensor | Available | | | |
| CRC calculator | Available | | | |
| Data operation circuit | Available | | | |
| Clock frequency accuracy measurement circuit | Available | | | |
| AES | Available | | | |

Table 1.2 Comparison of Functions for Different Packages (2/2)

| Functions | RX64M Group | | |
|-----------------------|--------------------|--------------------|----------|
| | 177 Pins, 176 Pins | 145 Pins, 144 Pins | 100 Pins |
| DES | Available | | |
| SHA | Available | | |
| RNG | Available | | |
| Event link controller | Available | | |

1.2 List of Products

Table 1.3 is a list of products, and Figure 1.1 shows how to read the product part no.

Table 1.3 List of Products (1/3)

| Group | Part No. | Package | Code Flash Memory Capacity | RAM Capacity | Data Flash Memory Capacity | Operating Frequency (Max.) | Encryption Module | SDHI |
|-------|--------------|--------------|----------------------------|--------------|----------------------------|----------------------------|-------------------|---------------|
| RX64M | R5F564MLCDFC | PLQP0176KB-A | 4 Mbytes | 512 Kbytes | 64 Kbytes | 120 MHz | Not supported | Not supported |
| | R5F564MLDDFC | PLQP0176KB-A | 4 Mbytes | 512 Kbytes | 64 Kbytes | 120 MHz | Not supported | Available |
| | R5F564MLGDFC | PLQP0176KB-A | 4 Mbytes | 512 Kbytes | 64 Kbytes | 120 MHz | Available | Not supported |
| | R5F564MLHDFC | PLQP0176KB-A | 4 Mbytes | 512 Kbytes | 64 Kbytes | 120 MHz | Available | Available |
| | R5F564MJCDFC | PLQP0176KB-A | 3 Mbytes | 512 Kbytes | 64 Kbytes | 120 MHz | Not supported | Not supported |
| | R5F564MJDDFC | PLQP0176KB-A | 3 Mbytes | 512 Kbytes | 64 Kbytes | 120 MHz | Not supported | Available |
| | R5F564MJGDFC | PLQP0176KB-A | 3 Mbytes | 512 Kbytes | 64 Kbytes | 120 MHz | Available | Not supported |
| | R5F564MJHDFC | PLQP0176KB-A | 3 Mbytes | 512 Kbytes | 64 Kbytes | 120 MHz | Available | Available |
| | R5F564MGCDFC | PLQP0176KB-A | 2.5 Mbytes | 512 Kbytes | 64 Kbytes | 120 MHz | Not supported | Not supported |
| | R5F564MGDDFC | PLQP0176KB-A | 2.5 Mbytes | 512 Kbytes | 64 Kbytes | 120 MHz | Not supported | Available |
| | R5F564MGDFC | PLQP0176KB-A | 2.5 Mbytes | 512 Kbytes | 64 Kbytes | 120 MHz | Available | Not supported |
| | R5F564MGHDFC | PLQP0176KB-A | 2.5 Mbytes | 512 Kbytes | 64 Kbytes | 120 MHz | Available | Available |
| | R5F564MFCDFC | PLQP0176KB-A | 2 Mbytes | 512 Kbytes | 64 Kbytes | 120 MHz | Not supported | Not supported |
| | R5F564MFDDFC | PLQP0176KB-A | 2 Mbytes | 512 Kbytes | 64 Kbytes | 120 MHz | Not supported | Available |
| | R5F564MFGDFC | PLQP0176KB-A | 2 Mbytes | 512 Kbytes | 64 Kbytes | 120 MHz | Available | Not supported |
| | R5F564MFHDFC | PLQP0176KB-A | 2 Mbytes | 512 Kbytes | 64 Kbytes | 120 MHz | Available | Available |
| | R5F564MLCDFB | PLQP0144KA-A | 4 Mbytes | 512 Kbytes | 64 Kbytes | 120 MHz | Not supported | Not supported |
| | R5F564MLDDFB | PLQP0144KA-A | 4 Mbytes | 512 Kbytes | 64 Kbytes | 120 MHz | Not supported | Available |
| | R5F564MLGDFB | PLQP0144KA-A | 4 Mbytes | 512 Kbytes | 64 Kbytes | 120 MHz | Available | Not supported |
| | R5F564MLHDFB | PLQP0144KA-A | 4 Mbytes | 512 Kbytes | 64 Kbytes | 120 MHz | Available | Available |
| | R5F564MJCDFB | PLQP0144KA-A | 3 Mbytes | 512 Kbytes | 64 Kbytes | 120 MHz | Not supported | Not supported |
| | R5F564MJDDFB | PLQP0144KA-A | 3 Mbytes | 512 Kbytes | 64 Kbytes | 120 MHz | Not supported | Available |
| | R5F564MJGDFB | PLQP0144KA-A | 3 Mbytes | 512 Kbytes | 64 Kbytes | 120 MHz | Available | Not supported |
| | R5F564MJHDFB | PLQP0144KA-A | 3 Mbytes | 512 Kbytes | 64 Kbytes | 120 MHz | Available | Available |
| | R5F564MGCDFB | PLQP0144KA-A | 2.5 Mbytes | 512 Kbytes | 64 Kbytes | 120 MHz | Not supported | Not supported |
| | R5F564MGDDFB | PLQP0144KA-A | 2.5 Mbytes | 512 Kbytes | 64 Kbytes | 120 MHz | Not supported | Available |
| | R5F564MGDFB | PLQP0144KA-A | 2.5 Mbytes | 512 Kbytes | 64 Kbytes | 120 MHz | Available | Not supported |
| | R5F564MGHDFB | PLQP0144KA-A | 2.5 Mbytes | 512 Kbytes | 64 Kbytes | 120 MHz | Available | Available |
| | R5F564MFCDFB | PLQP0144KA-A | 2 Mbytes | 512 Kbytes | 64 Kbytes | 120 MHz | Not supported | Not supported |
| | R5F564MFDDFB | PLQP0144KA-A | 2 Mbytes | 512 Kbytes | 64 Kbytes | 120 MHz | Not supported | Available |
| | R5F564MFGDFB | PLQP0144KA-A | 2 Mbytes | 512 Kbytes | 64 Kbytes | 120 MHz | Available | Not supported |
| | R5F564MFHDFB | PLQP0144KA-A | 2 Mbytes | 512 Kbytes | 64 Kbytes | 120 MHz | Available | Available |
| | R5F564MLCDFP | PLQP0100KB-A | 4 Mbytes | 512 Kbytes | 64 Kbytes | 120 MHz | Not supported | Not supported |
| | R5F564MLDDFP | PLQP0100KB-A | 4 Mbytes | 512 Kbytes | 64 Kbytes | 120 MHz | Not supported | Available |
| | R5F564MLGDFP | PLQP0100KB-A | 4 Mbytes | 512 Kbytes | 64 Kbytes | 120 MHz | Available | Not supported |
| | R5F564MLHDFP | PLQP0100KB-A | 4 Mbytes | 512 Kbytes | 64 Kbytes | 120 MHz | Available | Available |
| | R5F564MJCDFP | PLQP0100KB-A | 3 Mbytes | 512 Kbytes | 64 Kbytes | 120 MHz | Not supported | Not supported |
| | R5F564MJDDFP | PLQP0100KB-A | 3 Mbytes | 512 Kbytes | 64 Kbytes | 120 MHz | Not supported | Available |
| | R5F564MJGDFP | PLQP0100KB-A | 3 Mbytes | 512 Kbytes | 64 Kbytes | 120 MHz | Available | Not supported |
| | R5F564MJHDFP | PLQP0100KB-A | 3 Mbytes | 512 Kbytes | 64 Kbytes | 120 MHz | Available | Available |
| | R5F564MGCDFP | PLQP0100KB-A | 2.5 Mbytes | 512 Kbytes | 64 Kbytes | 120 MHz | Not supported | Not supported |
| | R5F564MGDDFP | PLQP0100KB-A | 2.5 Mbytes | 512 Kbytes | 64 Kbytes | 120 MHz | Not supported | Available |
| | R5F564MGDFP | PLQP0100KB-A | 2.5 Mbytes | 512 Kbytes | 64 Kbytes | 120 MHz | Available | Not supported |
| | R5F564MGHDFP | PLQP0100KB-A | 2.5 Mbytes | 512 Kbytes | 64 Kbytes | 120 MHz | Available | Available |

Table 1.3 List of Products (2/3)

| Group | Part No. | Package | Code Flash Memory Capacity | RAM Capacity | Data Flash Memory Capacity | Operating Frequency (Max.) | Encryption Module | SDHI |
|-------|---------------|--------------|----------------------------|--------------|----------------------------|----------------------------|-------------------|---------------|
| RX64M | R5F564MFCDFP | PLQP0100KB-A | 2 Mbytes | 512 Kbytes | 64 Kbytes | 120 MHz | Not supported | Not supported |
| | R5F564MFDDFP | PLQP0100KB-A | 2 Mbytes | 512 Kbytes | 64 Kbytes | 120 MHz | Not supported | Available |
| | R5F564MFGDFP | PLQP0100KB-A | 2 Mbytes | 512 Kbytes | 64 Kbytes | 120 MHz | Available | Not supported |
| | R5F564MFHDFP | PLQP0100KB-A | 2 Mbytes | 512 Kbytes | 64 Kbytes | 120 MHz | Available | Available |
| | R5F564MLCDBG | PLBG0176GA-A | 4 Mbytes | 512 Kbytes | 64 Kbytes | 120 MHz | Not supported | Not supported |
| | R5F564MLDDBG | PLBG0176GA-A | 4 Mbytes | 512 Kbytes | 64 Kbytes | 120 MHz | Not supported | Available |
| | R5F564MLGDBG | PLBG0176GA-A | 4 Mbytes | 512 Kbytes | 64 Kbytes | 120 MHz | Available | Not supported |
| | R5F564MLHDBG | PLBG0176GA-A | 4 Mbytes | 512 Kbytes | 64 Kbytes | 120 MHz | Available | Available |
| | R5F564MJCDBG | PLBG0176GA-A | 3 Mbytes | 512 Kbytes | 64 Kbytes | 120 MHz | Not supported | Not supported |
| | R5F564MJDDBG | PLBG0176GA-A | 3 Mbytes | 512 Kbytes | 64 Kbytes | 120 MHz | Not supported | Available |
| | R5F564MJGDBG | PLBG0176GA-A | 3 Mbytes | 512 Kbytes | 64 Kbytes | 120 MHz | Available | Not supported |
| | R5F564MJHDBG | PLBG0176GA-A | 3 Mbytes | 512 Kbytes | 64 Kbytes | 120 MHz | Available | Available |
| | R5F564MGCDBG | PLBG0176GA-A | 2.5 Mbytes | 512 Kbytes | 64 Kbytes | 120 MHz | Not supported | Not supported |
| | R5F564MGDDBG | PLBG0176GA-A | 2.5 Mbytes | 512 Kbytes | 64 Kbytes | 120 MHz | Not supported | Available |
| | R5F564MGGDBG | PLBG0176GA-A | 2.5 Mbytes | 512 Kbytes | 64 Kbytes | 120 MHz | Available | Not supported |
| | R5F564MGHDBG | PLBG0176GA-A | 2.5 Mbytes | 512 Kbytes | 64 Kbytes | 120 MHz | Available | Available |
| | R5F564MFCDBG | PLBG0176GA-A | 2 Mbytes | 512 Kbytes | 64 Kbytes | 120 MHz | Not supported | Not supported |
| | R5F564MFDDBG | PLBG0176GA-A | 2 Mbytes | 512 Kbytes | 64 Kbytes | 120 MHz | Not supported | Available |
| | R5F564MFGDBG | PLBG0176GA-A | 2 Mbytes | 512 Kbytes | 64 Kbytes | 120 MHz | Available | Not supported |
| | R5F564MFHDBG | PLBG0176GA-A | 2 Mbytes | 512 Kbytes | 64 Kbytes | 120 MHz | Available | Available |
| | R5F564MLCDLC | PTLG0177KA-A | 4 Mbytes | 512 Kbytes | 64 Kbytes | 120 MHz | Not supported | Not supported |
| | R5F564MLDDLC | PTLG0177KA-A | 4 Mbytes | 512 Kbytes | 64 Kbytes | 120 MHz | Not supported | Available |
| | R5F564MLGDLC | PTLG0177KA-A | 4 Mbytes | 512 Kbytes | 64 Kbytes | 120 MHz | Available | Not supported |
| | R5F564MLHDLC | PTLG0177KA-A | 4 Mbytes | 512 Kbytes | 64 Kbytes | 120 MHz | Available | Available |
| | R5F564MJC DLC | PTLG0177KA-A | 3 Mbytes | 512 Kbytes | 64 Kbytes | 120 MHz | Not supported | Not supported |
| | R5F564MJDDLC | PTLG0177KA-A | 3 Mbytes | 512 Kbytes | 64 Kbytes | 120 MHz | Not supported | Available |
| | R5F564MJGDLC | PTLG0177KA-A | 3 Mbytes | 512 Kbytes | 64 Kbytes | 120 MHz | Available | Not supported |
| | R5F564MJHDLC | PTLG0177KA-A | 3 Mbytes | 512 Kbytes | 64 Kbytes | 120 MHz | Available | Available |
| | R5F564MGC DLC | PTLG0177KA-A | 2.5 Mbytes | 512 Kbytes | 64 Kbytes | 120 MHz | Not supported | Not supported |
| | R5F564MGDDLC | PTLG0177KA-A | 2.5 Mbytes | 512 Kbytes | 64 Kbytes | 120 MHz | Not supported | Available |
| | R5F564MGGLC | PTLG0177KA-A | 2.5 Mbytes | 512 Kbytes | 64 Kbytes | 120 MHz | Available | Not supported |
| | R5F564MGHDLC | PTLG0177KA-A | 2.5 Mbytes | 512 Kbytes | 64 Kbytes | 120 MHz | Available | Available |
| | R5F564MFC DLC | PTLG0177KA-A | 2 Mbytes | 512 Kbytes | 64 Kbytes | 120 MHz | Not supported | Not supported |
| | R5F564MFDDLC | PTLG0177KA-A | 2 Mbytes | 512 Kbytes | 64 Kbytes | 120 MHz | Not supported | Available |
| | R5F564MFG DLC | PTLG0177KA-A | 2 Mbytes | 512 Kbytes | 64 Kbytes | 120 MHz | Available | Not supported |
| | R5F564MFH DLC | PTLG0177KA-A | 2 Mbytes | 512 Kbytes | 64 Kbytes | 120 MHz | Available | Available |
| | R5F564MLCDLK | PTLG0145KA-A | 4 Mbytes | 512 Kbytes | 64 Kbytes | 120 MHz | Not supported | Not supported |
| | R5F564MLDDLK | PTLG0145KA-A | 4 Mbytes | 512 Kbytes | 64 Kbytes | 120 MHz | Not supported | Available |
| | R5F564MLGD LK | PTLG0145KA-A | 4 Mbytes | 512 Kbytes | 64 Kbytes | 120 MHz | Available | Not supported |
| | R5F564MLHDLK | PTLG0145KA-A | 4 Mbytes | 512 Kbytes | 64 Kbytes | 120 MHz | Available | Available |
| | R5F564MJC DLK | PTLG0145KA-A | 3 Mbytes | 512 Kbytes | 64 Kbytes | 120 MHz | Not supported | Not supported |
| | R5F564MJDDLK | PTLG0145KA-A | 3 Mbytes | 512 Kbytes | 64 Kbytes | 120 MHz | Not supported | Available |
| | R5F564MJGD LK | PTLG0145KA-A | 3 Mbytes | 512 Kbytes | 64 Kbytes | 120 MHz | Available | Not supported |
| | R5F564MJHDLK | PTLG0145KA-A | 3 Mbytes | 512 Kbytes | 64 Kbytes | 120 MHz | Available | Available |
| | R5F564MGC DLK | PTLG0145KA-A | 2.5 Mbytes | 512 Kbytes | 64 Kbytes | 120 MHz | Not supported | Not supported |
| | R5F564MGDDLK | PTLG0145KA-A | 2.5 Mbytes | 512 Kbytes | 64 Kbytes | 120 MHz | Not supported | Available |
| | R5F564MGGLDK | PTLG0145KA-A | 2.5 Mbytes | 512 Kbytes | 64 Kbytes | 120 MHz | Available | Not supported |
| | R5F564MGHDLK | PTLG0145KA-A | 2.5 Mbytes | 512 Kbytes | 64 Kbytes | 120 MHz | Available | Available |

Table 1.3 List of Products (3/3)

| Group | Part No. | Package | Code Flash Memory Capacity | RAM Capacity | Data Flash Memory Capacity | Operating Frequency (Max.) | Encryption Module | SDHI |
|-------|--------------|--------------|----------------------------|--------------|----------------------------|----------------------------|-------------------|---------------|
| RX64M | R5F564MFCDLK | PTLG0145KA-A | 2 Mbytes | 512 Kbytes | 64 Kbytes | 120 MHz | Not supported | Not supported |
| | R5F564MFDDLK | PTLG0145KA-A | 2 Mbytes | 512 Kbytes | 64 Kbytes | 120 MHz | Not supported | Available |
| | R5F564MFGDLK | PTLG0145KA-A | 2 Mbytes | 512 Kbytes | 64 Kbytes | 120 MHz | Available | Not supported |
| | R5F564MFHDLK | PTLG0145KA-A | 2 Mbytes | 512 Kbytes | 64 Kbytes | 120 MHz | Available | Available |
| | R5F564MLCDLJ | PTLG0100JA-A | 4 Mbytes | 512 Kbytes | 64 Kbytes | 120 MHz | Not supported | Not supported |
| | R5F564MLDDLJ | PTLG0100JA-A | 4 Mbytes | 512 Kbytes | 64 Kbytes | 120 MHz | Not supported | Available |
| | R5F564MLGDLJ | PTLG0100JA-A | 4 Mbytes | 512 Kbytes | 64 Kbytes | 120 MHz | Available | Not supported |
| | R5F564MLHDLJ | PTLG0100JA-A | 4 Mbytes | 512 Kbytes | 64 Kbytes | 120 MHz | Available | Available |
| | R5F564MJCDLJ | PTLG0100JA-A | 3 Mbytes | 512 Kbytes | 64 Kbytes | 120 MHz | Not supported | Not supported |
| | R5F564MJDDLJ | PTLG0100JA-A | 3 Mbytes | 512 Kbytes | 64 Kbytes | 120 MHz | Not supported | Available |
| | R5F564MJGDLJ | PTLG0100JA-A | 3 Mbytes | 512 Kbytes | 64 Kbytes | 120 MHz | Available | Not supported |
| | R5F564MJHDLJ | PTLG0100JA-A | 3 Mbytes | 512 Kbytes | 64 Kbytes | 120 MHz | Available | Available |
| | R5F564MGCDLJ | PTLG0100JA-A | 2.5 Mbytes | 512 Kbytes | 64 Kbytes | 120 MHz | Not supported | Not supported |
| | R5F564MGDDLJ | PTLG0100JA-A | 2.5 Mbytes | 512 Kbytes | 64 Kbytes | 120 MHz | Not supported | Available |
| | R5F564MGGDLJ | PTLG0100JA-A | 2.5 Mbytes | 512 Kbytes | 64 Kbytes | 120 MHz | Available | Not supported |
| | R5F564MGHDLJ | PTLG0100JA-A | 2.5 Mbytes | 512 Kbytes | 64 Kbytes | 120 MHz | Available | Available |
| | R5F564MFCDLJ | PTLG0100JA-A | 2 Mbytes | 512 Kbytes | 64 Kbytes | 120 MHz | Not supported | Not supported |
| | R5F564MFDDLJ | PTLG0100JA-A | 2 Mbytes | 512 Kbytes | 64 Kbytes | 120 MHz | Not supported | Available |
| | R5F564MFGDLJ | PTLG0100JA-A | 2 Mbytes | 512 Kbytes | 64 Kbytes | 120 MHz | Available | Not supported |
| | R5F564MFHDLJ | PTLG0100JA-A | 2 Mbytes | 512 Kbytes | 64 Kbytes | 120 MHz | Available | Available |

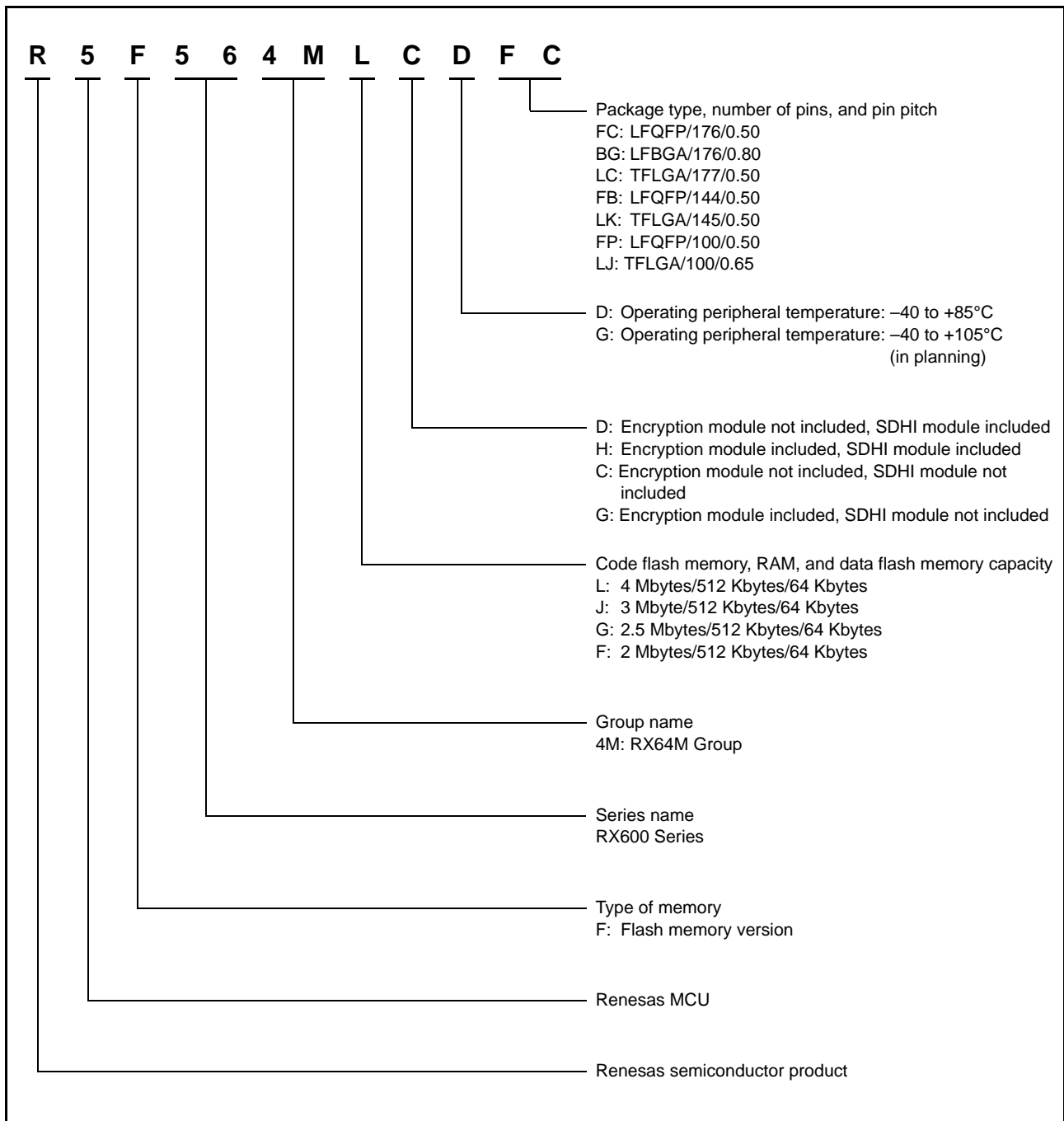


Figure 1.1 How to Read the Product Part Number

1.3 Block Diagram

Figure 1.2 shows a block diagram.

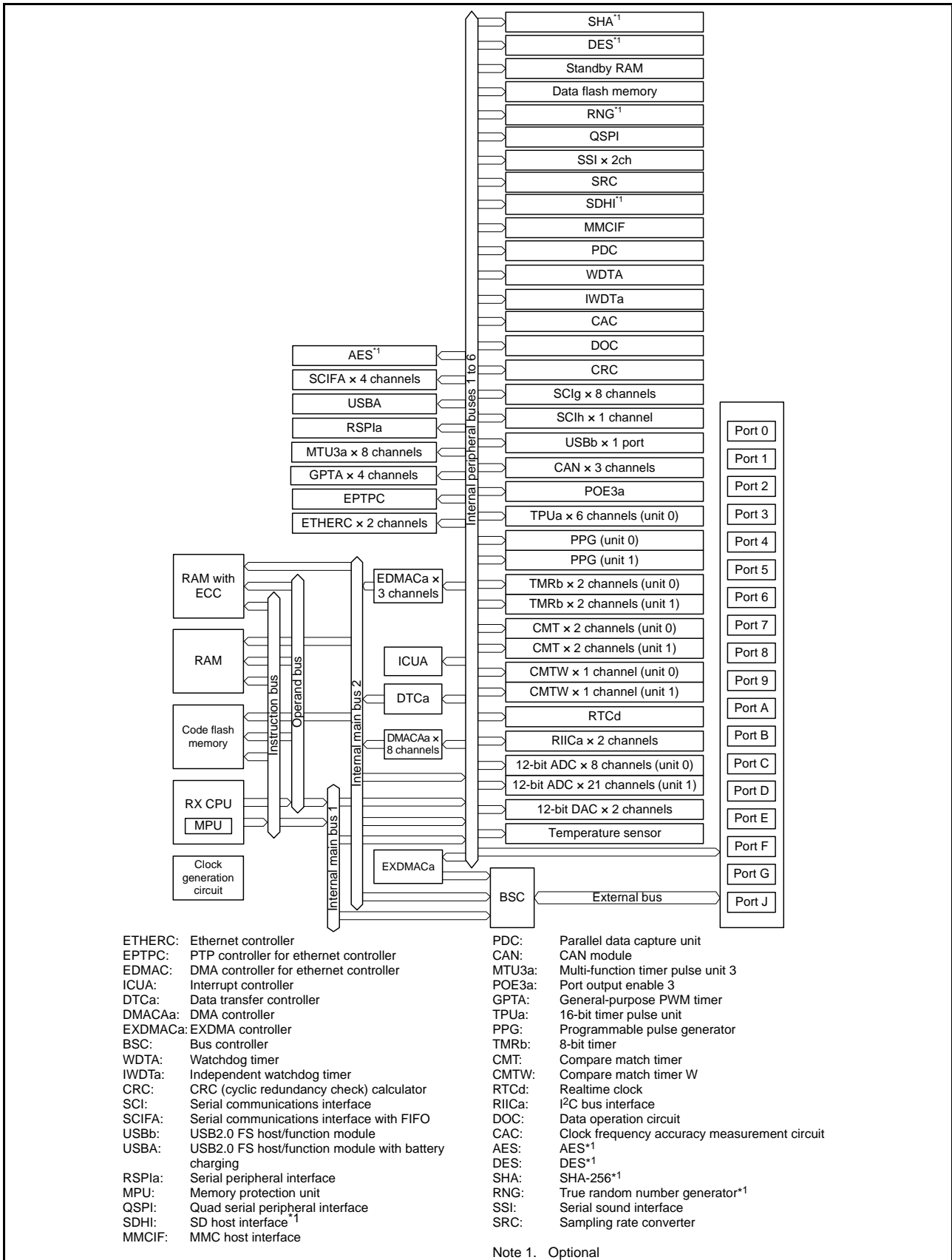


Figure 1.2 Block Diagram

1.4 Pin Functions

Table 1.4 lists the pin functions.

Table 1.4 Pin Functions (1/8)

| Classifications | Pin Name | I/O | Description |
|--------------------------------------|--------------------|--------|---|
| Digital power supply | VCC | Input | Power supply pin. Connect this pin to the system power supply. Connect the pin to VSS via a 0.1- μ F multilayer ceramic capacitor. The capacitor should be placed close to the pin. |
| | VCL | Input | Connect this pin to VSS via a 0.1- μ F multilayer ceramic capacitor. The capacitor should be placed close to the pin. |
| | VSS | Input | Ground pin. Connect it to the system power supply (0 V). |
| | VBATT | Input | Backup power pin |
| Clock | XTAL | Output | Pins for a crystal resonator. An external clock signal can be input through the EXTAL pin. |
| | EXTAL | Input | |
| | BCLK | Output | Outputs the external bus clock for external devices. |
| | SDCLK | Output | Outputs the SDRAM-dedicated clock. |
| | XCOUT | Output | Input/output pins for the sub clock oscillator. Connect a crystal resonator between XCOUT and XCIN. |
| | XCIN | Input | |
| Clock frequency accuracy measurement | CACREF | Input | Reference clock input pin for the clock frequency accuracy measurement circuit |
| Operating mode control | MD | Input | Pins for setting the operating mode. The signal levels on these pins must not be changed during operation. |
| | UB | Input | USB boot mode or user boot mode enable pin |
| | UPSEL | Input | Selects the power supply method in USB boot mode. The low level selects self-power mode and the high level selects bus power mode. |
| System control | RES# | Input | Reset signal input pin. This LSI enters the reset state when this signal goes low. |
| | EMLE | Input | Input pin for the on-chip emulator enable signal. When the on-chip emulator is used, this pin should be driven high. When not used, it should be driven low. |
| | BSCANP | Input | Boundary scan enable pin. Boundary scan is enabled when this pin goes high. When not used, it should be driven low. |
| On-chip emulator | FINED | I/O | Fine interface pin |
| | TRST# | Input | On-chip emulator or boundary scan pins. When the EMLE pin is driven high, these pins are dedicated for the on-chip emulator. |
| | TMS | Input | |
| | TDI | Input | |
| | TCK | Input | |
| | TDO | Output | |
| | TRCLK | Output | This pin outputs the clock for synchronization with the trace data. |
| | TRSYNC | Output | This pin indicates that output from the TRDATA0 to TRDATA3 pins is valid. |
| | TRDATA0 to TRDATA3 | Output | These pins output the trace information. |
| Address bus | A0 to A23 | Output | Output pins for the address |
| Data bus | D0 to D31 | I/O | Input and output pins for the bidirectional data bus |
| Multiplexed bus | A0/D0 to A15/D15 | I/O | Address/data multiplexed bus |

Table 1.4 Pin Functions (2/8)

| Classifications | Pin Name | I/O | Description |
|-----------------------------------|--------------------------------------|--|--|
| Bus control | RD# | Output | Strobe signal which indicates that reading from the external bus interface space is in progress |
| | WR# | Output | Strobe signal which indicates that writing to the external bus interface space is in progress, in 1-write strobe mode |
| | WR0# to WR3# | Output | Strobe signals which indicate that either group of data bus pins (D7 to D0, D15 to D8, D23 to D16 and D31 to D24) is valid in writing to the external bus interface space, in byte strobe mode |
| | BC0# to BC3# | Output | Strobe signals which indicate that either group of data bus pins (D7 to D0, D15 to D8, D23 to D16 and D31 to D24) is valid in access to the external bus interface space, in 1-write strobe mode |
| | ALE | Output | Address latch signal when address/data multiplexed bus is selected |
| | WAIT# | Input | Input pin for wait request signals in access to the external space |
| | CS0# to CS7# | Output | Select signals for CS areas |
| | CKE | Output | SDRAM clock enable signal |
| | SDCS# | Output | SDRAM chip select signal |
| | RAS# | Output | SDRAM row address strobe signal |
| | CAS# | Output | SDRAM column address strobe signal |
| | WE# | Output | SDRAM write enable pin |
| | DQM0 to DQM3 | Output | SDRAM I/O data mask enable signals |
| | EXDMA controller | EDREQ0, EDREQ1 | Input |
| EDACK0, EDACK1 | | Output | Single address transfer acknowledge signals |
| Interrupt | NMI | Input | Non-maskable interrupt request pin |
| | IRQ0 to IRQ15 | Input | Maskable interrupt request pins |
| Multi-function timer pulse unit 3 | MTIOC0A, MTIOC0B MTIOC0C, MTIOC0D | I/O | The TGRA0 to TGRD0 input capture input/output compare output/PWM output pins |
| | MTIOC1A, MTIOC1B | I/O | The TGRA1 and TGRB1 input capture input/output compare output/PWM output pins |
| | MTIOC2A, MTIOC2B | I/O | The TGRA2 and TGRB2 input capture input/output compare output/PWM output pins |
| | MTIOC3A, MTIOC3B MTIOC3C, MTIOC3D | I/O | The TGRA3 to TGRD3 input capture input/output compare output/PWM output pins |
| | MTIOC4A, MTIOC4B MTIOC4C, MTIOC4D | I/O | The TGRA4 to TGRD4 input capture input/output compare output/PWM output pins |
| | MTIC5U, MTIC5V MTIC5W | Input | The TGRU5, TGRV5, and TGRW5 input capture input/dead time compensation input pins |
| | MTIOC6A, MTIOC6B MTIOC6C, MTIOC6D | I/O | The TGRA6 to TGRD6 input capture input/output compare output/PWM output pins |
| | MTIOC7A, MTIOC7B MTIOC7C, MTIOC7D | I/O | The TGRA7 to TGRD7 input capture input/output compare output/PWM output pins |
| | MTIOC8A, MTIOC8B MTIOC8C, MTIOC8D | I/O | The TGRA8 to TGRD8 input capture input/output compare output/PWM output pins |
| | MTCLKA, MTCLKB MTCLKC, MTCLKD | Input | Input pins for external clock signals or for phase counting mode clock signals |
| | Port output enable 3 | POE0#, POE4#, POE8#, POE10#, POE11# | Input |

Table 1.4 Pin Functions (3/8)

| Classifications | Pin Name | I/O | Description |
|------------------------------|---|--------|---|
| General-purpose PWM timer | GTIOC0A-A/GTIOC0A-B/ GTIOC0A-C/GTIOC0A-D/ GTIOC0A-E, GTIOC0B-A/GTIOC0B-B/ GTIOC0B-C/GTIOC0B-D/ GTIOC0B-E | I/O | GPT0.GTGRA and GPT0.GTGRB input capture input/output compare output/PWM output pins |
| | GTIOC1A-A/GTIOC1A-B/ GTIOC1A-C/GTIOC1A-D/ GTIOC1A-E, GTIOC1B-A/GTIOC1B-B/ GTIOC1B-C/GTIOC1B-D/ GTIOC1B-E | I/O | GPT1.GTGRA and GPT1.GTGRB input capture input/output compare output/PWM output pins |
| | GTIOC2A-A/GTIOC2A-B/ GTIOC2A-C/GTIOC2A-D/ GTIOC2A-E, GTIOC2B-A/GTIOC2B-B/ GTIOC2B-C/GTIOC2B-D/ GTIOC2B-E | I/O | GPT2.GTGRA and GPT2.GTGRB input capture input/output compare output/PWM output pins |
| | GTIOC3A-D/GTIOC3A-E, GTIOC3B-D/GTIOC3B-E | I/O | GPT3.GTGRA and GPT3.GTGRB input capture input/output compare output/PWM output pins |
| | GTETRГ-B/GTETRГ-C/ GTETRГ-D | Input | External trigger input pin for GPT0 to GPT3 |
| 16-bit timer pulse unit | TIOCA0, TIOCB0 TIOCC0, TIOCD0 | I/O | The TGRA0 to TGRD0 input capture input/output compare output/PWM output pins |
| | TIOCA1, TIOCB1 | I/O | The TGRA1 and TGRB1 input capture input/output compare output/PWM output pins |
| | TIOCA2, TIOCB2 | I/O | The TGRA2 and TGRB2 input capture input/output compare output/PWM output pins |
| | TIOCA3, TIOCB3 TIOCC3, TIOCD3 | I/O | The TGRA3 to TGRD3 input capture input/output compare output/PWM output pins |
| | TIOCA4, TIOCB4 | I/O | The TGRA4 and TGRB4 input capture input/output compare output/PWM output pins |
| | TIOCA5, TIOCB5 | I/O | The TGRA5 and TGRB5 input capture input/output compare output/PWM output pins |
| | TCLKA, TCLKB TCLKC, TCLKD | Input | Input pins for external clock signals or for phase counting mode clock signals |
| Programmable pulse generator | PO0 to PO31 | Output | Output pins for the pulse signals |
| 8-bit timer | TMO0 to TMO3 | Output | Compare match output pins |
| | TMCI0 to TMCI3 | Input | Input pins for external clocks to be input to the counter |
| | TMRI0 to TMRI3 | Input | Input pins for the counter reset |
| Compare match timer W | TIC0 to TIC3 | Input | Input pins for CMTW |
| | TOC0 to TOC3 | Output | Output pins for CMTW |

Table 1.4 Pin Functions (4/8)

| Classifications | Pin Name | I/O | Description | |
|---|--|--|--|---------------------------------|
| Serial communications interface (SClg) | • Asynchronous mode/clock synchronous mode | | | |
| | SCK0 to SCK7 | I/O | Input/output pins for the clock | |
| | RXD0 to RXD7 | Input | Input pins for received data | |
| | TXD0 to TXD7 | Output | Output pins for transmitted data | |
| | CTS0# to CTS7# | Input | Input pins for controlling the start of transmission and reception | |
| | RTS0# to RTS7# | Output | Output pins for controlling the start of transmission and reception | |
| | • Simple I ² C mode | | | |
| | SSCL0 to SSCL7 | I/O | Input/output pins for the I ² C clock | |
| | SSDA0 to SSDA7 | I/O | Input/output pins for the I ² C data | |
| | • Simple SPI mode | | | |
| | SCK0 to SCK7 | I/O | Input/output pins for the clock | |
| | SMISO0 to SMISO7 | I/O | Input/output pins for slave transmission of data | |
| | SMOSI0 to SMOSI7 | I/O | Input/output pins for master transmission of data | |
| | SS0# to SS7# | Input | Chip-select input pins | |
| | Serial communications interface (SClh) | • Asynchronous mode/clock synchronous mode | | |
| | | SCK12 | I/O | Input/output pin for the clock |
| RXD12 | | Input | Input pin for received data | |
| TXD12 | | Output | Output pin for transmitted data | |
| CTS12# | | Input | Input pin for controlling the start of transmission and reception | |
| RTS12# | | Output | Output pin for controlling the start of transmission and reception | |
| • Simple I ² C mode | | | | |
| SSCL12 | | I/O | Input/output pin for the I ² C clock | |
| SSDA12 | | I/O | Input/output pin for the I ² C data | |
| • Simple SPI mode | | | | |
| SCK12 | | I/O | Input/output pin for the clock | |
| SMISO12 | | I/O | Input/output pin for slave transmission of data | |
| SMOSI12 | | I/O | Input/output pin for master transmission of data | |
| SS12# | | Input | Chip-select input pin | |
| • Extended serial mode | | | | |
| RDX12 | | Input | Input pin for received data | |
| TXDX12 | | Output | Output pin for transmitted data | |
| SIOX12 | | I/O | Input/output pin for received or transmitted data | |
| Serial communications interface with FIFO (SCIFA) | | SCK8 to SCK11 | I/O | Input/output pins for the clock |
| | RXD8 to RXD11 | Input | Input pins for received data | |
| | TXD8 to TXD11 | Output | Output pins for transmitted data | |
| | CTS8# to CTS11# | Input | Input pins for controlling the start of transmission and reception | |
| | RTS8# to RTS11# | Output | Output pins for controlling the start of transmission and reception | |
| I ² C bus interface | SCL0[FM+], SCL2 | I/O | Input/output pins for clocks. Bus can be directly driven by the N-channel open drain | |
| | SDA0[FM+], SDA2 | I/O | Input/output pins for data. Bus can be directly driven by the N-channel open drain | |

Table 1.4 Pin Functions (5/8)

| Classifications | Pin Name | I/O | Description |
|---------------------|---|--|---|
| Ethernet controller | REF50CK0, REF50CK1 | Input | 50-MHz reference clocks. These pins input reference signals for transmission/reception timings in RMII mode. |
| | RMII0_CRS_DV, RMII1_CRS_DV | Input | Indicate that there are carrier detection signals and valid receive data on RMII_RXD1 and RMII_RXD0 in RMII mode. |
| | RMII0_TXD0, RMII0_TXD1, RMII1_TXD0, RMII1_TXD1 | Output | 2-bit transmit data in RMII mode |
| | RMII0_RXD0, RMII0_RXD1, RMII1_RXD0, RMII1_RXD1 | Input | 2-bit receive data in RMII mode |
| | RMII0_TXD_EN, RMII1_TXD_EN | Output | Output pins for data transmit enable signals in RMII mode |
| | RMII0_RX_ER, RMII1_RX_ER | Input | Indicate an error has occurred during reception of data in RMII mode. |
| | ET0_CRS, ET1_CRS | Input | Carrier detection/data reception enable pins |
| | ET0_RX_DV, ET1_RX_DV | Input | Indicate that there are valid receive data on ET_ERXD3 to ET_ERXD0. |
| | ET0_EXOUT, ET1_EXOUT | Output | General-purpose external output pins |
| | ET0_LINKSTA ET1_LINKSTA | Input | Input link status from the PHY-LSI. |
| | ET0_ETXD0 to ET0_ETXD3, ET1_ETXD0 to ET1_ETXD3 | Output | 4 bits of MII transmit data |
| | ET0_ERXD0 to ET0_ERXD3, ET1_ERXD0 to ET1_ERXD3 | Input | 4 bits of MII receive data |
| | ET0_TX_EN, ET1_TX_EN | Output | Transmit enable pins. Function as signals indicating that transmit data is ready on ET_ETXD3 to ET_ETXD0. |
| | ET0_TX_ER, ET1_TX_ER | Output | Transmit error pins. Function as signals notifying the PHY-LSI of an error during transmission. |
| | ET0_RX_ER, ET1_RX_ER | Input | Receive error pins. Function as signals to recognize an error during reception. |
| | ET0_TX_CLK, ET1_TX_CLK | Input | Transmit clock pins. These pins input reference signals for output timings from ET_TX_EN, ET_ETXD3 to ET_ETXD0, and ET_TX_ER. |
| | ET0_RX_CLK, ET1_RX_CLK | Input | Receive clock pins. These pins input reference signals for input timings to ET_RX_DV, ET_ERXD3 to ET_ERXD0, and ET_RX_ER. |
| | ET0_COL, ET1_COL | Input | Input collision detection signals. |
| | ET0_WOL, ET1_WOL | Output | Receive Magic packets. |
| | ET0_MDC, ET1_MDC | Output | Output reference clock signals for information transfer via ET_MDIO. |
| ET0_MDIO, ET1_MDIO | I/O | Input or output bidirectional signals for exchange of management information between this MCU and the PHY-LSI. | |

Table 1.4 Pin Functions (6/8)

| Classifications | Pin Name | I/O | Description |
|----------------------------------|--|--------|---|
| USB 2.0 host/function module | VCC_USB, VCC_USBA | Input | Power supply pins |
| | VSS_USB, VSS1_USBA, VSS2_USBA | Input | Ground pins |
| | AVCC_USBA | Input | USBA analog power supply pin |
| | AVSS_USBA | Input | USBA analog ground pin. Short this pin with the PVSS_USBA pin. |
| | PVSS_USBA | Input | USBA PLL circuit ground pin. Short this pin with the AVSS_USBA pin. |
| | USBA_RREF | I/O | USBA reference current supply pin. Connect 2.2 kΩ (±1%) to the AVSS_USBA pin. |
| | USB0_DP, USBA_DP | I/O | Input or output USB transceiver D+ data. |
| | USB0_DM, USBA_DM | I/O | Input or output USB transceiver D- data. |
| | USB0_EXICEN, USBA_EXICEN | Output | Connect to the OTG power IC. |
| | USB0_ID, USBA_ID | Input | Connect to the OTG power IC. |
| | USB0_VBUSEN, USBA_VBUSEN | Output | USB VBUS power enable pins |
| | USB0_OVRCURA, USB0_OVRCURB, USBA_OVRCURA, USBA_OVRCURB | Input | USB overcurrent pins |
| | USB0_VBUS, USBA_VBUS | Input | USB cable connection/disconnection detection input pins |
| CAN module | CRX0, CRX1-DS, CRX2 | Input | Input pins |
| | CTX0 to CTX2 | Output | Output pins |
| Serial peripheral interface | RSPCKA-A/RSPCKA-B | I/O | Clock input/output pin |
| | MOSIA-A/MOSIA-B | I/O | Inputs or outputs data output from the master |
| | MISOA-A/MISOA-B | I/O | Inputs or outputs data output from the slave |
| | SSLA0-A/SSLA0-B | I/O | Input or output pin for slave selection |
| | SSLA1-A/SSLA1-B to SSLA3-A/SSLA3-B | Output | Output pin for slave selection |
| Quad serial peripheral interface | QSPCLK-A/-B | Output | QSPI clock output pin |
| | QSSL-A/-B | Output | QSPI slave output pin |
| | QMO-A/-B, QIO0-A/-B | I/O | Master transmit data/data 0 |
| | QMI-A/-B, QIO1-A/-B | I/O | Master input data/data 1 |
| | QIO2-A/-B, QIO3-A/-B | I/O | Data 2, data 3 |
| Serial sound interface | SSISCK0, SSISCK1 | I/O | SSI serial bit clock pins |
| | SSIWS0, SSIWS1 | I/O | Word select pins |
| | SSITXD0, SSITXD1 | Output | Serial data output pins |
| | SSIRXD0, SSIRXD1 | Input | Serial data input pins |
| | SSIDATA0, SSIDATA1 | I/O | Serial data input/output pins |
| | AUDIO_MCLK | Input | Master clock pin for audio |

Table 1.4 Pin Functions (7/8)

| Classifications | Pin Name | I/O | Description |
|----------------------------|---|--------|--|
| MMC host interface | MMC_CLK-A/ MMC_CLK-B | Output | MMC clock pin |
| | MMC_CMD-A/ MMC_CMD-B | I/O | Command/response pin |
| | MMC_D7-A/MMC_D7-B to MMC_D0-A/MMC_D0-B | I/O | Transmit data/receive data |
| | MMC_CD-A/MMC_CD-B | Input | Card detection pin |
| | MMC_RES#-A/MMC_RES#-B | Output | MMC reset output pin |
| SD host interface | SDHI_CLK-A/SDHI_CLK-B | Output | SD clock output pin |
| | SDHI_CMD-A/SDHI_CMD-B | I/O | SD command output, response input signal pin |
| | SDHI_D3-A/SDHI_D3-B to SDHI_D0-A/SDHI_D0-B | I/O | SD data bus pins |
| | SDHI_CD-A/SDHI_CD-B | Input | SD card detection pin |
| | SDHI_WP-A/SDHI_WP-B | Input | SD write-protect signal |
| Parallel data capture unit | PIXCLK | Input | Image transfer clock pin |
| | VSYNC | Input | Vertical synchronization signal pin |
| | HSYNC | Input | Horizontal synchronization signal pin |
| | PIXD0 to PIXD7 | Input | 8-bit image data pins |
| | PCKO | Output | Output pin for dot clock |
| Realtime clock | RTCOUT | Output | Output pin for 1-Hz/64-Hz clock |
| | RTCIC0 to RTCIC2 | Input | Time capture event input pins |
| 12-bit A/D converter | AN000 to AN007, AN100 to AN120 | Input | Input pins for the analog signals to be processed by the A/D converter |
| | ADTRG0#, ADTRG1# | Input | Input pins for the external trigger signals that start the A/D conversion |
| | ANEX0 | Output | Extended analog output pin |
| | ANEX1 | Input | Extended analog input pin |
| 12-bit D/A converter | DA0, DA1 | Output | Output pins for the analog signals to be processed by the D/A converter |
| Analog power supply | AVCC0 | Input | Analog voltage supply pin for the 12-bit A/D converter (unit 0). Connect this pin to a branch from the VCC power supply. |
| | AVSS0 | Input | Analog ground pin for the 12-bit A/D converter (unit 0). Connect this pin to a branch from the VSS ground power supply. |
| | VREFH0 | Input | Analog reference voltage supply pin for the 12-bit A/D converter (unit 0). Connect this pin to VCC if the 12-bit A/D converter is not to be used. |
| | VREFL0 | Input | Analog reference ground pin for the 12-bit A/D converter (unit 0). Connect this pin to VSS if the 12-bit A/D converter is not to be used. |
| | AVCC1 | Input | Analog voltage supply and reference voltage supply pin for the 12-bit A/D converter (unit 1) and D/A converter. This pin also supplies the analog voltage to the temperature sensor. Connect this pin to a branch from the VCC power supply. |
| | AVSS1 | Input | Analog voltage supply and reference voltage supply pin for the 12-bit A/D converter (unit 1) and D/A converter. This pin also supplies the analog ground voltage to the temperature sensor. Connect this pin to a branch from the VSS ground power supply. |

Table 1.4 Pin Functions (8/8)

| Classifications | Pin Name | I/O | Description |
|-----------------|----------------------|-----|---|
| I/O ports | P00 to P03, P05, P07 | I/O | 6-bit input/output pins |
| | P10 to P17 | I/O | 8-bit input/output pins |
| | P20 to P27 | I/O | 8-bit input/output pins |
| | P30 to P37 | I/O | 8-bit input/output pins (P35: input pin) |
| | P40 to P47 | I/O | 8-bit input/output pins |
| | P50 to P56 | I/O | 7-bit input/output pins (176-pin devices have only P50 to P53) |
| | P60 to P67 | I/O | 8-bit input/output pins |
| | P70 to P77 | I/O | 8-bit input/output pins |
| | P80 to P83, P86, P87 | I/O | 6-bit input/output pins |
| | P90 to P97 | I/O | 8-bit input/output pins |
| | PA0 to PA7 | I/O | 8-bit input/output pins |
| | PB0 to PB7 | I/O | 8-bit input/output pins |
| | PC0 to PC7 | I/O | 8-bit input/output pins |
| | PD0 to PD7 | I/O | 8-bit input/output pins |
| | PE0 to PE7 | I/O | 8-bit input/output pins |
| | PF0 to PF5 | I/O | 6-bit input/output pins |
| | PG0 to PG7 | I/O | 8-bit input/output pins |
| | PJ3, PJ5 | I/O | 2-bit input/output pins |

Note: Note the following regarding pin names. For details, see section 1.5, Pin Assignments.

- We recommend using pins that have a letter ("-A", "-B", etc.) to indicate group membership appended to their names as groups. For the RSPI, QSPI, SDHI, and MMC interfaces, the AC portion of the electrical characteristics is measured for each group.
- Pins that have "-DS" appended to their names can be used as triggers for release from deep software standby.
- RIIC pin functions that have [FM+] appended to their names support fast-mode plus.

1.5 Pin Assignments

Figure 1.3 to Figure 1.9 show the pin assignments. Table 1.5 to Table 1.10 show the lists of pins and pin functions.

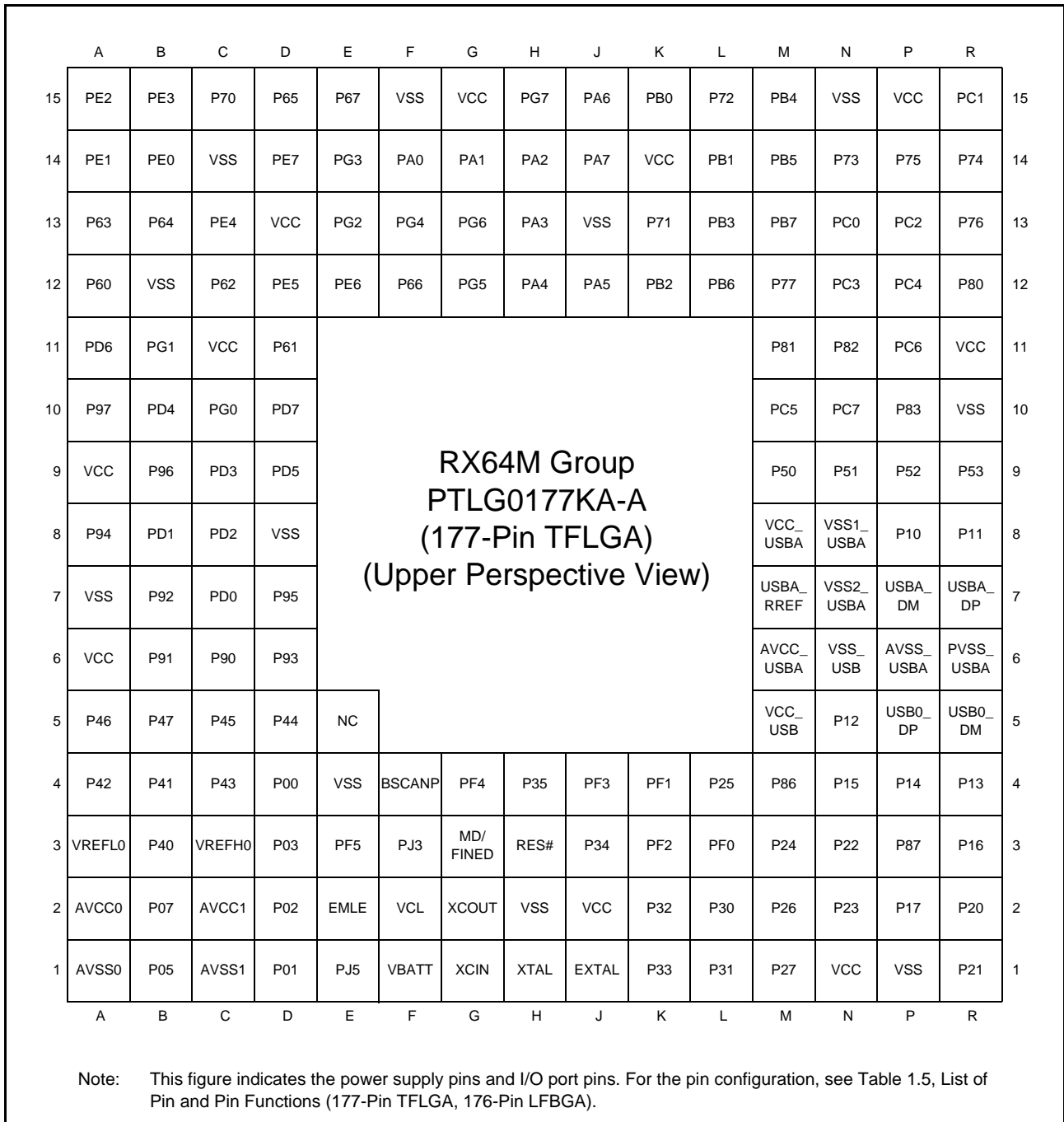


Figure 1.3 Pin Assignment (177-Pin TFLGA)

| | A | B | C | D | E | F | G | H | J | K | L | M | N | P | R | | |
|----|--------|-----|--------|-----|--|--------|--------------|---------|-------|-----|-----|-----|-----------|-----------|-----------|-----------|----|
| 15 | PE2 | PE3 | P70 | P65 | P67 | VSS | VCC | PG7 | PA6 | PB0 | P72 | PB4 | VSS | VCC | PC1 | 15 | |
| 14 | PE1 | PE0 | VSS | PE7 | PG3 | PA0 | PA1 | PA2 | PA7 | VCC | PB1 | PB5 | P73 | P75 | P74 | 14 | |
| 13 | P63 | P64 | PE4 | VCC | PG2 | PG4 | PG6 | PA3 | VSS | P71 | PB3 | PB7 | PC0 | PC2 | P76 | 13 | |
| 12 | P60 | VSS | P62 | PE5 | PE6 | P66 | PG5 | PA4 | PA5 | PB2 | PB6 | P77 | PC3 | PC4 | P80 | 12 | |
| 11 | PD6 | PG1 | VCC | P61 | RX64M Group PLBG0176GA-A (176-Pin LFBGA) (Upper Perspective View) | | | | | | | | P81 | P82 | PC6 | VCC | 11 |
| 10 | P97 | PD4 | PG0 | PD7 | | | | | | | | | PC5 | PC7 | P83 | VSS | 10 |
| 9 | VCC | P96 | PD3 | PD5 | | | | | | | | | P50 | P51 | P52 | P53 | 9 |
| 8 | P94 | PD1 | PD2 | VSS | | | | | | | | | VCC_USBA | VSS1_USBA | P10 | P11 | 8 |
| 7 | VSS | P92 | PD0 | P95 | | | | | | | | | USBA_RREF | VSS2_USBA | USBA_DM | USBA_DP | 7 |
| 6 | VCC | P91 | P90 | P93 | | | | | | | | | AVCC_USBA | VSS_USB | AVSS_USBA | PVSS_USBA | 6 |
| 5 | P46 | P47 | P45 | P44 | VCC_USB | P12 | USB0_DP | USB0_DM | 5 | | | | | | | | |
| 4 | P42 | P41 | P43 | P00 | VSS | BSCANP | PF4 | P35 | PF3 | PF1 | P25 | P86 | P15 | P14 | P13 | 4 | |
| 3 | VREFL0 | P40 | VREFH0 | P03 | PF5 | PJ3 | MD/ FINED | RES# | P34 | PF2 | PF0 | P24 | P22 | P87 | P16 | 3 | |
| 2 | AVCC0 | P07 | AVCC1 | P02 | EMLE | VCL | XCOUT | VSS | VCC | P32 | P30 | P26 | P23 | P17 | P20 | 2 | |
| 1 | AVSS0 | P05 | AVSS1 | P01 | PJ5 | VBATT | XCIN | XTAL | EXTAL | P33 | P31 | P27 | VCC | VSS | P21 | 1 | |
| | A | B | C | D | E | F | G | H | J | K | L | M | N | P | R | | |

Note: This figure indicates the power supply pins and I/O port pins. For the pin configuration, see Table 1.5, List of Pin and Pin Functions (177-Pin TFLGA, 176-Pin LFBGA).

Figure 1.4 Pin Assignment (176-Pin LFBGA)

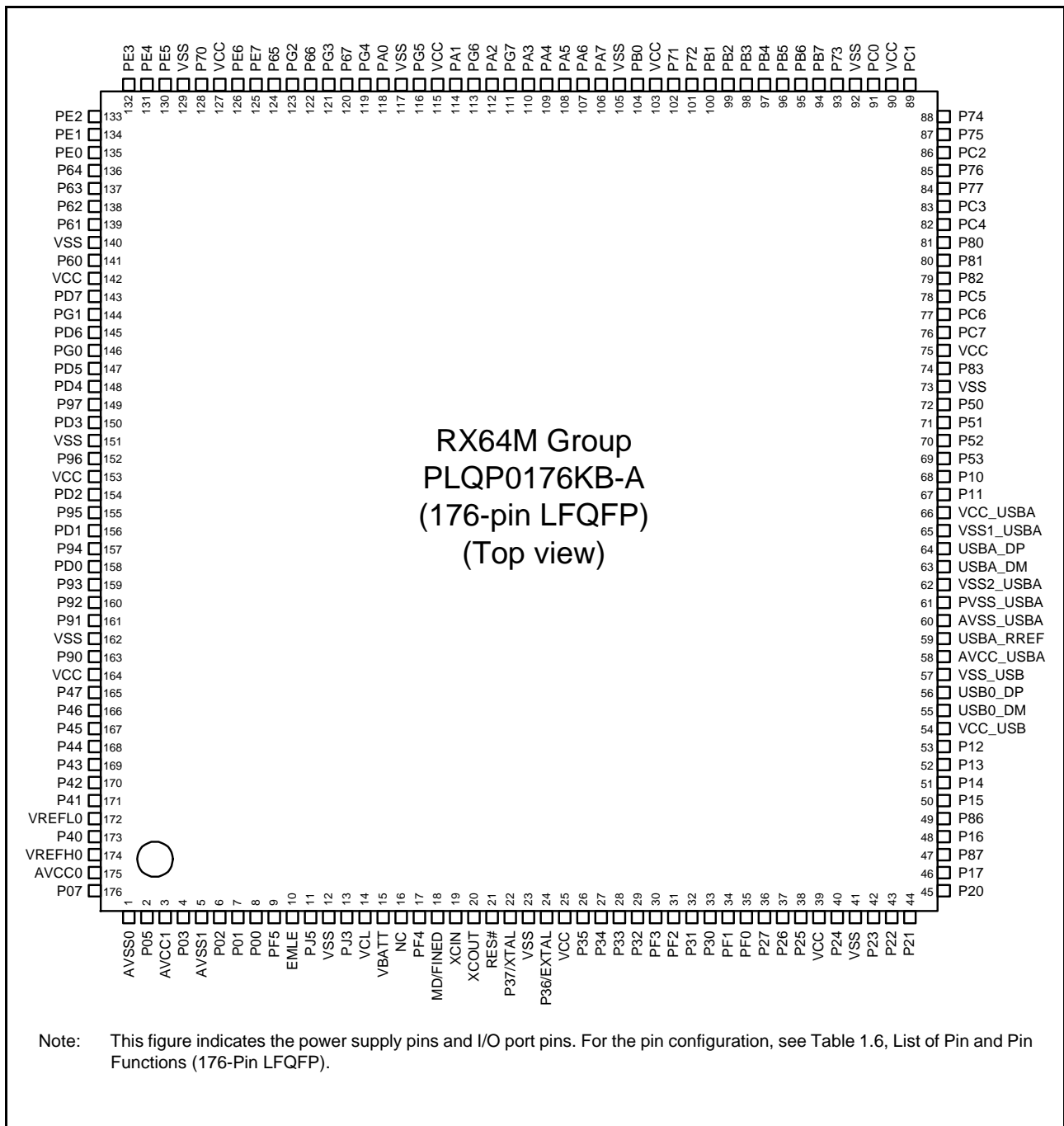
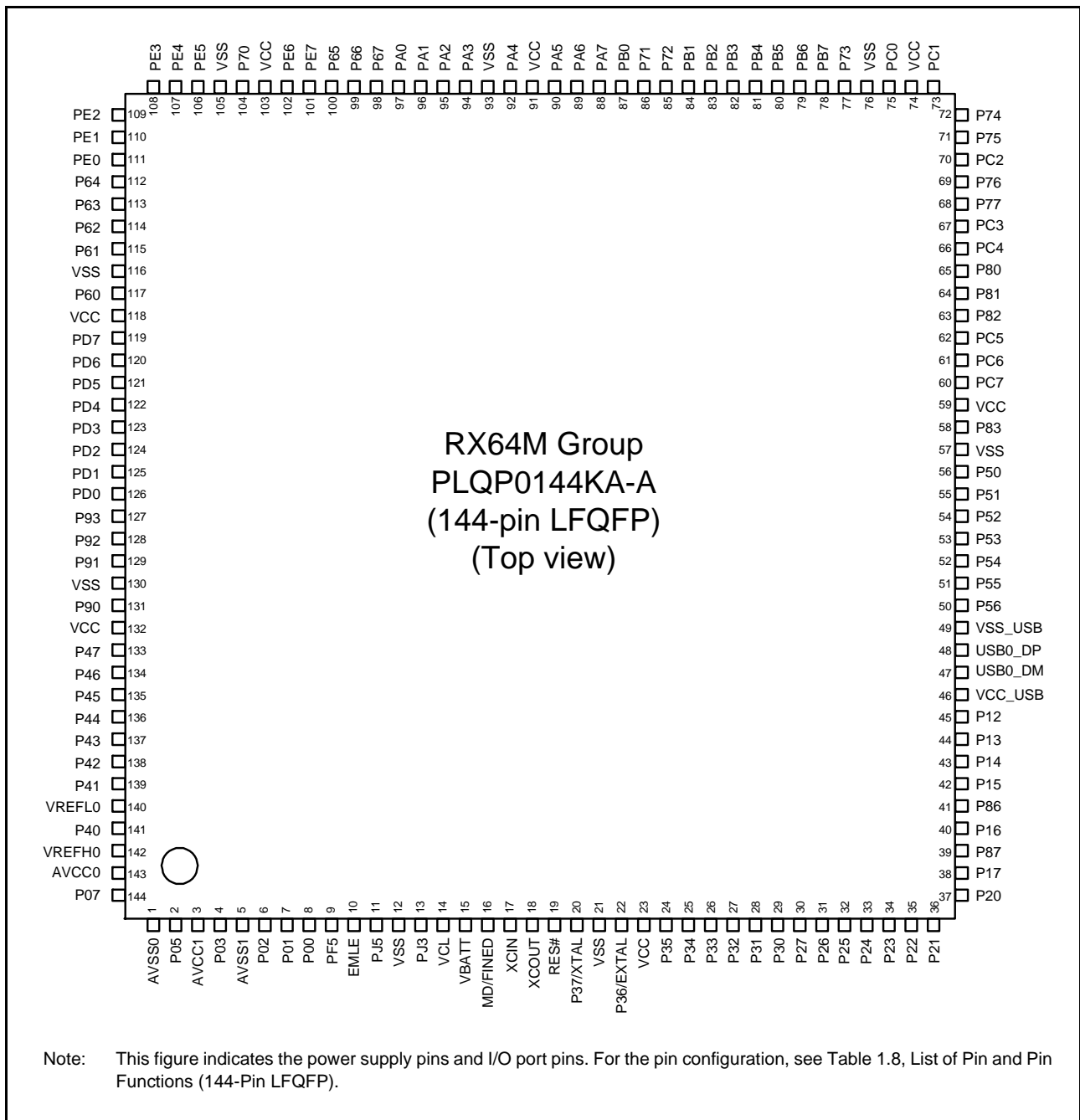


Figure 1.5 Pin Assignment (176-Pin LQFP)

| | A | B | C | D | E | F | G | H | J | K | L | M | N | |
|----|-------|--------|--------|-----|--|-------|--------------|---------|---------|-----|-----|---------|---------|----|
| 13 | PE3 | PE4 | VSS | PE6 | P67 | PA2 | PA4 | PA7 | PB1 | PB5 | VSS | VCC | P74 | 13 |
| 12 | PE1 | PE2 | P70 | PE5 | P65 | PA1 | VCC | PB0 | PB2 | PB6 | P73 | PC1 | P75 | 12 |
| 11 | P62 | P61 | PE0 | VCC | P66 | VSS | PA6 | P71 | PB4 | PB7 | PC2 | PC0 | PC3 | 11 |
| 10 | VSS | VCC | P63 | PE7 | PA0 | PA3 | PA5 | P72 | PB3 | P76 | PC4 | P77 | P82 | 10 |
| 9 | PD6 | PD4 | PD7 | P64 | RX64M Group PTLG0145KA-A (145-Pin TFLGA) (Upper Perspective View) | | | | | P80 | PC5 | P81 | PC7 | 9 |
| 8 | PD2 | PD0 | PD3 | P60 | | | | | | VCC | P83 | PC6 | VSS | 8 |
| 7 | P92 | P91 | PD1 | PD5 | | | | | | P51 | P52 | P50 | P55 | 7 |
| 6 | P90 | P47 | VSS | P93 | | | | | | P53 | P56 | VSS_USB | USB0_DP | 6 |
| 5 | P45 | P43 | P46 | VCC | P44 | P54 | P13 | VCC_USB | USB0_DM | 5 | | | | |
| 4 | P42 | VREFL0 | P41 | P01 | EMLE | VBATT | BSCANP | P35 | P30 | P15 | P24 | P12 | P14 | 4 |
| 3 | P40 | P05 | VREFH0 | P03 | PJ5 | PJ3 | MD/ FINED | VSS | P32 | P31 | P16 | P86 | P87 | 3 |
| 2 | P07 | AVCC0 | P02 | PF5 | VCL | XCOUT | RES# | VCC | P33 | P26 | P23 | P17 | P20 | 2 |
| 1 | AVSS0 | AVCC1 | AVSS1 | P00 | VSS | XCIN | XTAL | EXTAL | P34 | P27 | P25 | P22 | P21 | 1 |
| | A | B | C | D | E | F | G | H | J | K | L | M | N | |

Note: This figure indicates the power supply pins and I/O port pins. For the pin configuration, see Table 1.7, List of Pin and Pin Functions (145-Pin TFLGA).

Figure 1.6 Pin Assignment (145-Pin TFLGA)



RX64M Group
PTLG0100JA-A (100-Pin TFLGA)
(Upper Perspective View)

| | A | B | C | D | E | F | G | H | J | K | |
|----|--------|-------|--------|--------------|------|-------|-----|-----|-------------|-------------|----|
| 10 | PE2 | PE3 | PE4 | PA0 | PA3 | VSS | VCC | PB7 | PC1 | PC2 | 10 |
| 9 | PE1 | PD7 | PE5 | PA1 | PA5 | PA7 | PB1 | PB6 | PC0 | PC3 | 9 |
| 8 | PE0 | PD6 | PD5 | PE7 | PA4 | PB0 | PB4 | PC6 | PC4 | PC5 | 8 |
| 7 | PD4 | PD3 | PD2 | PE6 | PA6 | PB2 | PB5 | PC7 | P50 | P51 | 7 |
| 6 | PD0 | PD1 | P47 | P46 | PA2 | PB3 | P52 | P54 | VCC_ USB | USB0_ DP | 6 |
| 5 | P43 | P44 | P42 | P45 | P41 | P12 | P53 | P55 | VSS_ USB | USB0_ DM | 5 |
| 4 | VREFL0 | P40 | VREFH0 | VBATT | P34 | P32 | P27 | P15 | P13 | P14 | 4 |
| 3 | P07 | AVCC0 | PJ3 | MD/ FINED | RES# | P35 | P30 | P16 | P17 | P20 | 3 |
| 2 | AVCC1 | AVSS0 | AVSS1 | XCOUT | VSS | VCC | P31 | P25 | P21 | P22 | 2 |
| 1 | P05 | EMLE | VCL | XCIN | XTAL | EXTAL | P33 | P26 | P24 | P23 | 1 |
| | A | B | C | D | E | F | G | H | J | K | |

Note: This figure indicates the power supply pins and I/O port pins. For the pin configuration, see Table 1.9, List of Pin and Pin Functions (100-Pin TFLGA).

Figure 1.8 Pin Assignment (100-Pin TFLGA)

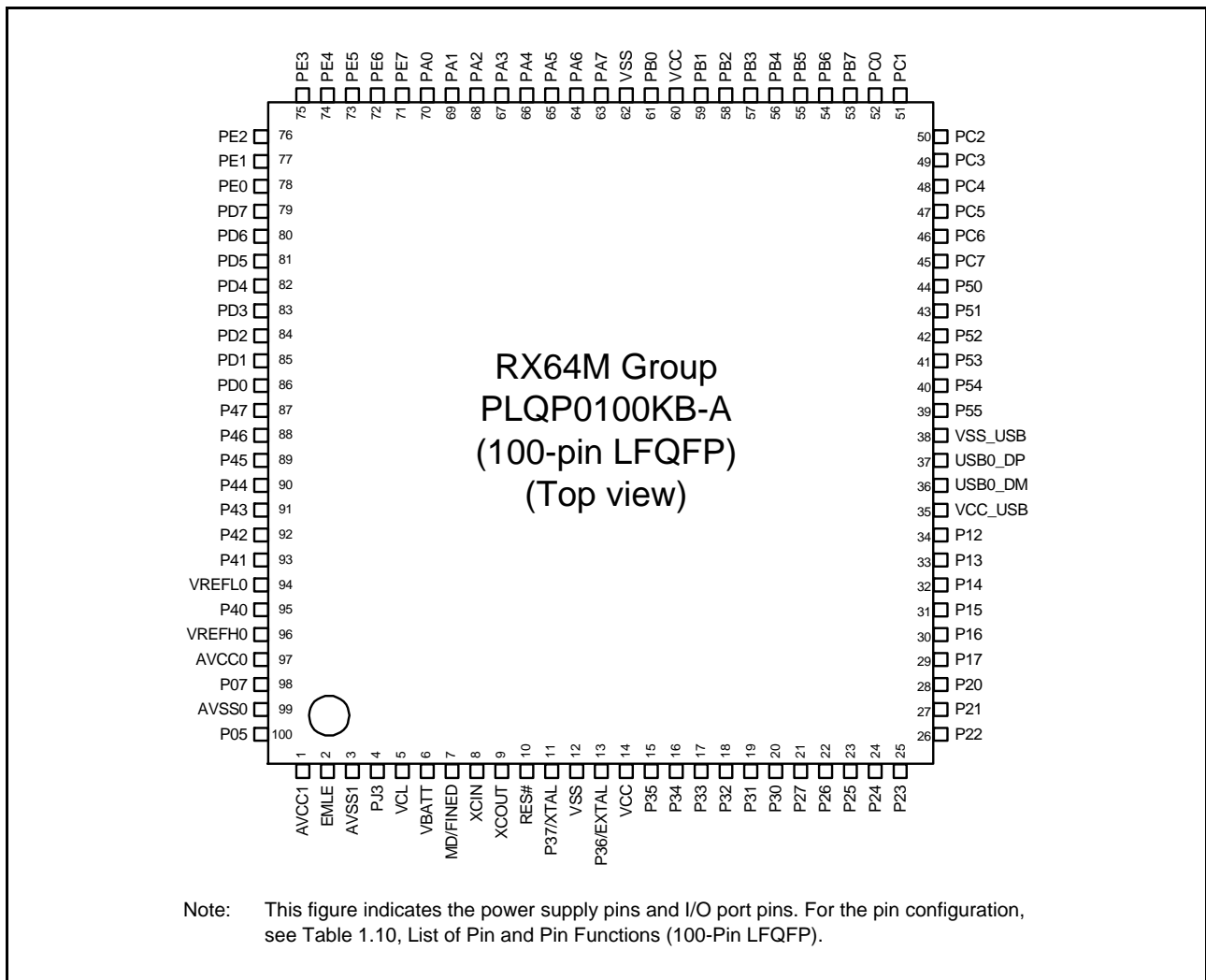


Figure 1.9 Pin Assignment (100-Pin LQFP)

Table 1.5 List of Pin and Pin Functions (177-Pin TFLGA, 176-Pin LFBGA) (1/7)

| Pin Number | Power Supply Clock System Control | I/O Port | Bus EXDMAC SDRAMC | Timer (MTU, GPT, TPU, TMR, PPG, RTC, CMTW, POE, CAC) | Communication (ETHERC, SC1g, SC1h, RSPI, RIIC, CAN, USB, SSI) | Memory Interface Camera Interface (QSPI, SDHI, MMCIF, PDC) | Interrupt | S12ADC, R12DA |
|------------|---|----------|-------------------------|---|--|---|-----------|------------------|
| A1 | AVSS0 | | | | | | | |
| A2 | AVCC0 | | | | | | | |
| A3 | VREFL0 | | | | | | | |
| A4 | | P42 | | | | | IRQ10-DS | AN002 |
| A5 | | P46 | | | | | IRQ14-DS | AN006 |
| A6 | VCC | | | | | | | |
| A7 | VSS | | | | | | | |
| A8 | | P94 | A20/D20 | | ET1_ERXD0/ RMII1_RXD0 | | | |
| A9 | VCC | | | | | | | |
| A10 | | P97 | A23/D23 | | ET1_ERXD3 | | | |
| A11 | | PD6 | D6[A6/D6] | MTIOC5V/MTIOC8A/ POE4# | | MMC_D0-B/ SDHI_D0-B/ QIO0-B/ QMO-B | IRQ6 | AN106 |
| A12 | | P60 | CS0# | | ET1_TX_EN/ RMII1_TXD_EN | | | |
| A13 | | P63 | CS3#/CAS# | | | | | |
| A14 | | PE1 | D9[A9/D9] | MTIOC4C/MTIOC3B/ GTIOC1B-A/PO18 | TXD12/SMOSI12/ SSDA12/TXD12/ SIOX12 | MMC_D5-B | | ANEX1 |
| A15 | | PE2 | D10[A10/D10] | MTIOC4A/ GTIOC0B-A/PO23/ TIC3 | RXD12/SMISO12/ SSCL12/ RXDX12 | MMC_D6-B | IRQ7-DS | AN100 |
| B1 | | P05 | | | | | IRQ13 | DA1 |
| B2 | | P07 | | | | | IRQ15 | ADTRG0# |
| B3 | | P40 | | | | | IRQ8-DS | AN000 |
| B4 | | P41 | | | | | IRQ9-DS | AN001 |
| B5 | | P47 | | | | | IRQ15-DS | AN007 |
| B6 | | P91 | A17/D17 | | ET1_COL/SCK7 | | | AN115 |
| B7 | | P92 | A18/D18 | POE4# | ET1_CRS/ RMII1_CRS_DV/ RXD7/SMISO7/SSCL7 | | | AN116 |
| B8 | | PD1 | D1[A1/D1] | MTIOC4B/ GTIOC1A-E/POE0# | CTX0 | | IRQ1 | AN109 |
| B9 | | P96 | A22/D22 | | ET1_ERXD2 | | | |
| B10 | | PD4 | D4[A4/D4] | MTIOC8B/POE11# | | MMC_CMD-B/ SDHI_CMD-B/ QSSL-B | IRQ4 | AN112 |
| B11 | | PG1 | D25 | | ET1_RX_ER/ RMII1_RX_ER | | | |
| B12 | VSS | | | | | | | |
| B13 | | P64 | CS4#/WE# | | | | | |
| B14 | | PE0 | D8[A8/D8] | MTIOC3D/ GTIOC2B-A | SCK12 | MMC_D4-B | | ANEX0 |
| B15 | | PE3 | D11[A11/D11] | MTIOC4B/ GTIOC2A-A/PO26/ POE8#/TOC3 | CTS12#/RTS12#/ SS12#/ ET0_ERXD3 | MMC_D7-B | | AN101 |
| C1 | AVSS1 | | | | | | | |
| C2 | AVCC1 | | | | | | | |
| C3 | VREFH0 | | | | | | | |

Table 1.5 List of Pin and Pin Functions (177-Pin TFLGA, 176-Pin LFBGA) (2/7)

| Pin Number | Power Supply Clock System Control | I/O Port | Bus EXDMAC SDRAMC | Timer (MTU, GPT, TPU, TMR, PPG, RTC, CMTW, POE, CAC) | Communication (ETHERC, SCIG, SCIh, RSPI, RIIC, CAN, USB, SSI) | Memory Interface Camera Interface (QSPI, SDHI, MMCIF, PDC) | Interrupt | S12ADC, R12DA |
|------------|---|----------|-------------------------|---|--|---|-----------|------------------|
| C4 | | P43 | | | | | IRQ11-DS | AN003 |
| C5 | | P45 | | | | | IRQ13-DS | AN005 |
| C6 | | P90 | A16/D16 | | ET1_RX_DV/ TXD7/SMOSI7/SSDA7 | | | AN114 |
| C7 | | PD0 | D0[A0/D0] | GTIOC1B-E/POE4# | | | IRQ0 | AN108 |
| C8 | | PD2 | D2[A2/D2] | MTIOC4D/ GTIOC0B-E/TIC2 | CRX0 | MMC_D2-B/ SDHI_D2-B/ QIO2_B | IRQ2 | AN110 |
| C9 | | PD3 | D3[A3/D3] | MTIOC8D/ GTIOC0A-E/POE8#/ TOC2 | | MMC_D3-B/ SDHI_D3-B/ QIO3-B | IRQ3 | AN111 |
| C10 | | PG0 | D24 | | ET1_RX_CLK/ REF50CK1 | | | |
| C11 | VCC | | | | | | | |
| C12 | | P62 | CS2#/RAS# | | | | | |
| C13 | | PE4 | D12[A12/D12] | MTIOC4D/MTIOC1A/ GTIOC1A-A/PO28 | ET0_ERXD2 | | | AN102 |
| C14 | VSS | | | | | | | |
| C15 | | P70 | SDCLK | | | | | |
| D1 | | P01 | | TMC10 | RXD6/SMISO6/ SSCL6 | | IRQ9 | AN119 |
| D2 | | P02 | | TMC11 | SCK6 | | IRQ10 | AN120 |
| D3 | | P03 | | | | | IRQ11 | DA0 |
| D4 | | P00 | | TMR10 | TXD6/SMOSI6/ SSDA6 | | IRQ8 | AN118 |
| D5 | | P44 | | | | | IRQ12-DS | AN004 |
| D6 | | P93 | A19/D19 | POE0# | ET1_LINKSTA/CTS7#/ RTS7#/SS7# | | | AN117 |
| D7 | | P95 | A21/D21 | | ET1_ERXD1/ RMII1_RXD1 | | | |
| D8 | VSS | | | | | | | |
| D9 | | PD5 | D5[A5/D5] | MTIC5W/MTIOC8C/ POE10# | | MMC_CLK-B/ SDHI_CLK-B/ QSPCLK-B | IRQ5 | AN113 |
| D10 | | PD7 | D7[A7/D7] | MTIC5U/POE0# | | MMC_D1-B/ SDHI_D1-B/ QIO1-B/QMI-B | IRQ7 | AN107 |
| D11 | | P61 | CS1#/SDCS# | | | | | |
| D12 | | PE5 | D13[A13/D13] | MTIOC4C/MTIOC2B/ GTIOC0A-A | ET0_RX_CLK/ REF50CK0 | | IRQ5 | AN103 |
| D13 | VCC | | | | | | | |
| D14 | | PE7 | D15[A15/D15] | MTIOC6A/ GTIOC3A-E/TOC1 | | MMC_RES#-B/ SDHI_WP-B | IRQ7 | AN105 |
| D15 | | P65 | CS5#/CKE | | | | | |
| E1 | | PJ5 | | POE8# | CTS2#/RTS2#/SS2# | | | |
| E2 | EMLE | | | | | | | |
| E3 | | PF5 | | | | | IRQ4 | |
| E4 | VSS | | | | | | | |
| E5*1 | | | | | | | | |
| E12 | | PE6 | D14[A14/D14] | MTIOC6C/ GTIOC3B-E/TIC1 | | MMC_CD-B/ SDHI_CD-B | IRQ6 | AN104 |
| E13 | TRDATA0 | PG2 | D26 | | ET1_TX_CLK | | | |

Table 1.5 List of Pin and Pin Functions (177-Pin TFLGA, 176-Pin LFBGA) (3/7)

| Pin Number | Power Supply Clock System Control | I/O Port | Bus EXDMAC SDRAMC | Timer (MTU, GPT, TPU, TMR, PPG, RTC, CMTW, POE, CAC) | Communication (ETHERC, SCIG, SCIh, RSPI, RIIC, CAN, USB, SSI) | Memory Interface Camera Interface (QSPI, SDHI, MMCIF, PDC) | Interrupt | S12ADC, R12DA |
|------------|---|----------|-------------------------|---|--|---|-----------|------------------|
| E14 | TRDATA1 | PG3 | D27 | | ET1_ETXD0/ RMII1_TXD0 | | | |
| E15 | | P67 | CS7#/DQM1 | MTIOC7C/ GTIOC1B-C | CRX2 | | IRQ15 | |
| F1 | VBATT | | | | | | | |
| F2 | VCL | | | | | | | |
| F3 | | PJ3 | EDACK1 | MTIOC3C | ET0_EXOUT/ CTS6#/RTS6#/ CTS0#/RTS0#/ SS6#/SS0# | | | |
| F4 | BSCANP | | | | | | | |
| F12 | | P66 | CS6#/DQM0 | MTIOC7D/ GTIOC2B-C | CTX2 | | | |
| F13 | TRSYNC | PG4 | D28 | | ET1_ETXD1/ RMII1_TXD1 | | | |
| F14 | | PA0 | A0/BC0#/ DQM2 | MTIOC4A/MTIOC6D/ GTIOC0B-C/TIOCA0/ CACREF/PO16 | SSLA1-B/ ET0_TX_EN/ RMII0_TXD_EN | | | |
| F15 | VSS | | | | | | | |
| G1 | XCIN | | | | | | | |
| G2 | XCOUT | | | | | | | |
| G3 | MD/FINED | | | | | | | |
| G4 | TRST# | PF4 | | | | | | |
| G12 | TRCLK | PG5 | D29 | | ET1_ETXD2 | | | |
| G13 | TRDATA2 | PG6 | D30 | | ET1_ETXD3 | | | |
| G14 | | PA1 | A1/DQM3 | MTIOC0B/MTCLKC/ MTIOC7B/ GTIOC2A-C/TIOCB0/ PO17 | SCK5/SSLA2-B/ ET0_WOL | | IRQ11 | |
| G15 | VCC | | | | | | | |
| H1 | XTAL | P37 | | | | | | |
| H2 | VSS | | | | | | | |
| H3 | RES# | | | | | | | |
| H4 | UPSEL | P35 | | | | | NMI | |
| H12 | | PA4 | A4 | MTIC5U/MTCLKA/ TIOCA1/TMRI0/PO20 | TXD5/SMOS15/ SSDA5/SSLA0-B/ ET0_MDC | | IRQ5-DS | |
| H13 | | PA3 | A3 | MTIOC0D/MTCLKD/ TIOCD0/TCLKB/PO19 | RXD5/SMISO5/ SSCL5/ ET0_MDIO | | IRQ6-DS | |
| H14 | | PA2 | A2 | MTIOC7A/ GTIOC1A-C/PO18 | RXD5/SMISO5/ SSCL5/SSLA3-B | | | |
| H15 | TRDATA3 | PG7 | D31 | | ET1_TX_ER | | | |
| J1 | EXTAL | P36 | | | | | | |
| J2 | VCC | | | | | | | |
| J3 | | P34 | | MTIOC0A/TMCI3/ PO12/POE10# | SCK6/SCK0/ ET0_LINKSTA | | IRQ4 | |
| J4 | TMS | PF3 | | | | | | |
| J12 | | PA5 | A5 | MTIOC6B/ GTIOC0A-C/TIOCB1/ PO21 | RSPCKA-B/ ET0_LINKSTA | | | |
| J13 | VSS | | | | | | | |
| J14 | | PA7 | A7 | TIOCB2/PO23 | MISOA-B/ ET0_WOL | | | |

Table 1.5 List of Pin and Pin Functions (177-Pin TFLGA, 176-Pin LFBGA) (4/7)

| Pin Number | Power Supply Clock System Control | I/O Port | Bus EXDMAC SDRAMC | Timer (MTU, GPT, TPU, TMR, PPG, RTC, CMTW, POE, CAC) | Communication (ETHERC, SCIG, SCIH, RSPI, RIIC, CAN, USB, SSI) | Memory Interface Camera Interface (QSPI, SDHI, MMCIF, PDC) | Interrupt | S12ADC, R12DA |
|------------|-----------------------------------|----------|-------------------|---|--|---|-----------|---------------|
| J15 | | PA6 | A6 | MTIC5V/MTCLKB/ GTETR-C/TIOCA2/ TMC13/PO22/POE10# | CTS5#/RTS5#/SS5#/ MOSIA-B/ ET0_EXOUT | | | |
| K1 | | P33 | EDREQ1 | MTIOC0D/TIOC0D/ TMR13/PO11/POE4#/ POE11# | RXD6/RXD0/ SMISO6/ SMISO0/SSCL6/ SSCL0/CRX0 | PCKO | IRQ3-DS | |
| K2 | | P32 | | MTIOC0C/TIOCC0/ TMO3/PO10/ RTCOUT/RTCIC2/ POE0#/POE10# | TXD6/TXD0/ SMOSI6/SMOSI0/ SSDA6/SSDA0/ CTX0/ USB0_VBUSEN | VSYNC | IRQ2-DS | |
| K3 | TDI | PF2 | | | RXD1/SMISO1/ SSCL1 | | | |
| K4 | TCK | PF1 | | | SCK1 | | | |
| K12 | | PB2 | A10 | TIOCC3/TCLKC/ PO26 | CTS4#/RTS4#/CTS6#/ RTS6#/SS4#/SS6#/ ET0_RX_CLK/ REF50CK0 | | | |
| K13 | | P71 | A18/CS1# | | ET0_MDIO | | | |
| K14 | VCC | | | | | | | |
| K15 | | PB0 | A8 | MTIC5W/TIOCA3/ PO24 | RXD4/RXD6/SMISO4/ SMISO6/SSCL4/ SSCL6/ET0_ERXD1/ RMII0_RXD1 | | IRQ12 | |
| L1 | | P31 | | MTIOC4D/TMCI2/ PO9/RTCIC1 | CTS1#/RTS1#/ SS1#/ET1_MDC | | IRQ1-DS | |
| L2 | | P30 | | MTIOC4B/TMR13/ PO8/RTCIC0/POE8# | RXD1/SMISO1/ SSCL1/ ET1_MDIO | | IRQ0-DS | |
| L3 | TDO | PF0 | | | TXD1/SMOSI1/ SSDA1 | | | |
| L4 | | P25 | CS5#/ EDACK1 | MTIOC4C/MTCLKB/ TIOCA4/PO5 | RXD3/SMISO3/ SSCL3/ SSIDATA1 | HSYNC | | ADTRG0# |
| L12 | | PB6 | A14 | MTIOC3D/TIOCA5/ PO30 | RXD9/ET0_ETXD1/ RMII0_TXD1 | | | |
| L13 | | PB3 | A11 | MTIOC0A/MTIOC4A/ TIOC3/TCLKD/ TMO0/PO27/POE11# | SCK4/SCK6/ ET0_RX_ER/ RMII0_RX_ER | | | |
| L14 | | PB1 | A9 | MTIOC0C/MTIOC4C/ TIOCB3/TMCI0/PO25 | TXD4/TXD6/SMOSI4/ SMOSI6/SSDA4/ SSDA6/ET0_ERXD0/ RMII0_RXD0 | | IRQ4-DS | |
| L15 | | P72 | A19/CS2# | | ET0_MDC | | | |
| M1 | | P27 | CS7# | MTIOC2B/TMCI3/PO7 | SCK1/ET1_WOL | | | |
| M2 | | P26 | CS6# | MTIOC2A/TMO1/PO6 | TXD1/CTS3#/ RTS3#/SMOSI1/ SS3#/SSDA1/ ET1_EXOUT | | | |
| M3 | | P24 | CS4#/ EDREQ1 | MTIOC4A/MTCLKA/ TIOCB4/TMR11/PO4 | SCK3/ USB0_VBUSEN/ SSISCK1 | PIXCLK | | |
| M4 | | P86 | | MTIOC4D/ GTIOC2B-B/TIOCA0 | RXD10 | PIXD1 | | |
| M5 | VCC_USB | P12 | WR3#/BC3# | MTIC5U/TMCI1 | RXD2/SMISO2/ SSCL2/ SCL0[FM+] | | IRQ2 | |
| M6 | AVCC_USBA | | | | | | | |

Table 1.5 List of Pin and Pin Functions (177-Pin TFLGA, 176-Pin LFBGA) (5/7)

| Pin Number | Power Supply Clock System Control | I/O Port | Bus EXDMAC SDRAMC | Timer | Communication | Memory Interface Camera Interface | Interrupt | S12ADC, R12DA |
|--------------------------------------|---|----------|-------------------------|--|---|---|-----------|------------------|
| 177-Pin TFLGA 176-Pin LFBGA | | | | (MTU, GPT, TPU, TMR, PPG, RTC, CMTW, POE, CAC) | (ETHERC, SCIG, SCIh, RSPI, RIIC, CAN, USB, SSI) | (QSPI, SDHI, MMCIF, PDC) | | |
| M7 | USBA_ RREF | P11 | | MTIC5V/TMC13 | SCK2/USBA_VBUS/ USBA_VBUSEN | | IRQ1 | |
| M8 | VCC_ USBA | P10 | ALE | MTIC5W/TMR13 | USBA_OVRCURA | | IRQ0 | |
| M9 | | P50 | WR0#/WR# | | TXD2/SMOSI2/SSDA2 | | | |
| M10 | | PC5 | A21/CS2#/ WAIT# | MTIOC3B/MTCLKD/ GTIOC1A-D/TMR12/ PO29 | SCK8/RSPCKA-A/ RTS8#/ET0_ETXD2 | MMC_D5-A | | |
| M11 | | P81 | EDACK0 | MTIOC3D/ GTIOC0B-D/PO27 | RXD10/ET0_ETXD0/ RMII0_TXD0 | MMC_D3-A/ SDHI_CD-A/ QIO3-A | | |
| M12 | | P77 | CS7# | PO23 | TXD11/ET0_RX_ER/ RMII0_RX_ER | MMC_CLK-A/ SDHI_CLK-A/ QSPCLK-A | | |
| M13 | | PB7 | A15 | MTIOC3B/TIOCB5/ PO31 | TXD9/ET0_CRS/ RMII0_CRS_DV | | | |
| M14 | | PB5 | A13 | MTIOC2A/MTIOC1B/ TIOCB4/TMR11/PO29/ POE4# | SCK9/RTS9#/ ET0_ETXD0/ RMII0_TXD0 | | | |
| M15 | | PB4 | A12 | TIOCA4/PO28 | CTS9#/ET0_TX_EN/ RMII0_TXD_EN | | | |
| N1 | VCC | | | | | | | |
| N2 | | P23 | EDACK0 | MTIOC3D/MTCLKD/ GTIOC0A-B/TIOC3/ PO3 | TXD3/CTS0#/ RTS0#/SMOSI3/ SS0#/SSDA3/ SSISCK0 | PIXD7 | | |
| N3 | | P22 | EDREQ0 | MTIOC3B/MTCLKC/ GTIOC1A-B/TIOCC3/ TMO0/PO2 | SCK0/ USB0_OVRCURB/ USBA_OVRCURB/ AUDIO_MCLK | PIXD6 | | |
| N4 | | P15 | | MTIOC0B/MTCLKB/ GTETR-B/TIOCB2/ TCLKB/TMC12/PO13 | RXD1/SCK3/ SMISO1/SSCL1/ CRX1-DS/ USBA_VBUSEN/ SSIWS1 | PIXD0 | IRQ5 | |
| N5 | | P12 | WR3#/BC3# | MTIC5U/TMC11 | RXD2/SMISO2/ SSCL2/ SCL0[FM+] | | IRQ2 | |
| N6 | VSS_USB | | | | | | | |
| N7 | VSS2_ USBA | | | | | | | |
| N8 | VSS1_ USBA | | | | | | | |
| N9 | | P51 | WR1#/BC1#/ WAIT# | | SCK2 | | | |
| N10 | UB | PC7 | A23/CS0# | MTIOC3A/MTCLKB/ GTIOC3A-D/TMO2/ TOC0/PO31/CACREF | TXD8/MISOA-A/ ET0_COL | MMC_D7-A | IRQ14 | |
| N11 | | P82 | EDREQ1 | MTIOC4A/ GTIOC2A-D/PO28 | TXD10/ET0_ETXD1/ RMII0_TXD1 | MMC_D4-A | | |
| N12 | | PC3 | A19 | MTIOC4D/ GTIOC1B-D/TCLKB/ PO24 | TXD5/SMOSI5/ SSDA5/ ET0_TX_ER | MMC_D0-A/ SDHI_D0-A/ QIO0-A/ QMO-A | | |
| N13 | | PC0 | A16 | MTIOC3C/TCLKC/ PO17 | CTS5#/RTS5#/SS5#/ SSLA1-A/ET0_ERXD3 | | IRQ14 | |
| N14 | | P73 | CS3# | PO16 | ET0_WOL | | | |
| N15 | VSS | | | | | | | |
| P1 | VSS | | | | | | | |

Table 1.5 List of Pin and Pin Functions (177-Pin TFLGA, 176-Pin LFBGA) (6/7)

| Pin Number | Power Supply Clock System Control | I/O Port | Bus EXDMAC SDRAMC | Timer | Communication | Memory Interface Camera Interface | Interrupt | S12ADC, R12DA |
|--------------------------------------|---|----------|-------------------------|--|--|---|-----------|------------------|
| 177-Pin TFLGA 176-Pin LFBGA | | | | (MTU, GPT, TPU, TMR, PPG, RTC, CMTW, POE, CAC) | (ETHERC, SCIG, SCIh, RSPI, RIIC, CAN, USB, SSI) | (QSPI, SDHI, MMCIF, PDC) | | |
| P2 | | P17 | | MTIOC3A/MTIOC3B/ MTIOC4B/ GTIOC0B-B/TIOC0B/ TCLKD/TMO1/PO15/ POE8# | SCK1/TXD3/ SMOSI3/SSDA3/ SDA2-DS/ SSITXD0 | PIXD3 | IRQ7 | ADTRG1# |
| P3 | | P87 | | MTIOC4C/ GTIOC1B-B/TIOCA2 | TXD10 | PIXD2 | | |
| P4 | | P14 | | MTIOC3A/MTCLKA/ TIOC0B5/TCLKA/ TMR12/PO15 | CTS1#/RTS1#/ SS1#/CTX1/ USB0_OVRCURA | | IRQ4 | |
| P5 | | | | | USB0_DP | | | |
| P6 | AVSS_ USBA | | | | | | | |
| P7 | | | | | USBA_DM | | | |
| P8 | | P10 | ALE | MTIC5W/TMRI3 | USBA_OVRCURA | | IRQ0 | |
| P9 | | P52 | RD# | | RXD2/SMISO2/ SSCL2 | | | |
| P10 | | P83 | EDACK1 | MTIOC4C/ GTIOC0A-D | CTS10#/ET0_CRS/ RMII0_CRS_DV/ SCK10 | | | |
| P11 | | PC6 | A22/CS1# | MTIOC3C/MTCLKA/ GTIOC3B-D/TMCI2/ TIC0/PO30 | RXD8/MOSIA-A/ ET0_ETXD3 | MMC_D6-A | IRQ13 | |
| P12 | | PC4 | A20/CS3# | MTIOC3D/MTCLKC/ GTETR-D/TMCI1/ PO25/POE0# | SCK5/CTS8#/SSLA0- A/ET0_TX_CLK | MMC_D1-A/ SDHI_D1-A/ QIO1-A/QMI-A | | |
| P13 | | PC2 | A18 | MTIOC4B/ GTIOC2B-D/TCLKA/ PO21 | RXD5/SMISO5/ SSCL5/SSLA3-A/ ET0_RX_DV/ | MMC_CD-A/ SDHI_D3-A | | |
| P14 | | P75 | CS5# | PO20 | SCK11/RTS11/ ET0_ERXD0/ RMII0_RXD0/ | MMC_RES#-A/ SDHI_D2-A | | |
| P15 | VCC | | | | | | | |
| R1 | | P21 | | MTIOC1B/MTIOC4A/ GTIOC2A-B/TIOCA3/ TMCI0/PO1 | RXD0/SMISO0/ SSCL0/ USB0_EXICEN/ USBA_EXICEN/ SSIWS0 | PIXD5 | IRQ9 | |
| R2 | | P20 | | MTIOC1A/TIOC0B3/ TMR10/PO0 | TXD0/SMOSI0/ SSDA0/USB0_ID/ USBA_ID/ SSIRXD0 | PIXD4 | IRQ8 | |
| R3 | | P16 | | MTIOC3C/MTIOC3D/ TIOC0B1/TCLKC/ TMO2/PO14/ RTCOUT | TXD1/RXD3/ SMOSI1/SMISO3/ SSDA1/SSCL3/ SCL2-DS/ USB0_VBUS/ USB0_VBUSEN/ USB0_OVRCURB | | IRQ6 | ADTRG0# |
| R4 | | P13 | WR2#/BC2# | MTIOC0B/TIOCA5/ TMO3/PO13 | TXD2/SMOSI2/ SSDA2/ SDA0[FM+] | | IRQ3 | ADTRG1# |
| R5 | | | | | USB0_DM | | | |
| R6 | PVSS_ USBA | | | | | | | |
| R7 | | | | | USBA_DP | | | |
| R8 | | P11 | | MTIC5V/TMCI3 | SCK2/ USBA_VBUS/ USBA_VBUSEN | | | |
| R9 | | P53*2 | BCLK | | | | | |
| R10 | VSS | | | | | | | |

Table 1.5 List of Pin and Pin Functions (177-Pin TFLGA, 176-Pin LFBGA) (7/7)

| Pin Number 177-Pin TFLGA 176-Pin LFBGA | Power Supply Clock System Control | I/O Port | Bus EXDMAC SDRAMC | Timer (MTU, GPT, TPU, TMR, PPG, RTC, CMTW, POE, CAC) | Communication (ETHERC, SCIG, SCIh, RSPI, RIIC, CAN, USB, SSI) | Memory Interface Camera Interface (QSPI, SDHI, MMCIF, PDC) | Interrupt | S12ADC, R12DA |
|--|---|----------|-------------------------|---|--|---|-----------|------------------|
| R11 | VCC | | | | | | | |
| R12 | | P80 | EDREQ0 | MTIOC3B/PO26 | SCK10/RTS10#/ ET0_TX_EN/ RMII0_TXD_EN | MMC_D2-A/ SDHI_WP-A/ QIO2-A | | |
| R13 | | P76 | CS6# | PO22 | RXD11/ET0_RX_CLK/ REF50CK0 | MMC_CMD-A/ SDHI_CMD-A/ QSSL-A | | |
| R14 | | P74 | A20/CS4# | PO19 | CTS11#/ET0_ERXD1/ RMII0_RXD1 | | | |
| R15 | | PC1 | A17 | MTIOC3A/TCLKD/ PO18 | SCK5/SSLA2-A/ ET0_ERXD2 | | IRQ12 | |

Note 1. The 176-pin LFBGA does not include the E5 pin.

Note 2. The BCLK function is multiplexed with the I/O port function for pin P53, so the port function is not available if the external bus is enabled.

Table 1.6 List of Pin and Pin Functions (176-Pin LQFP) (1/7)

| Pin Number | Power Supply Clock System Control | I/O Port | Bus EXDMAC SDRAMC | Timer (MTU, GPT, TPU, TMR, PPG, RTC, CMTW, POE, CAC) | Communication (ETHERC, SC1g, SC1h, RSPI, RIIC, CAN, USB, SSI) | Memory Interface Camera Interface (QSPI, SDHI, MMCIF, PDC) | Interrupt | S12ADC, R12DA |
|------------|---|----------|-------------------------|--|--|---|-----------|------------------|
| 1 | AVSS0 | | | | | | | |
| 2 | | P05 | | | | | IRQ13 | DA1 |
| 3 | AVCC1 | | | | | | | |
| 4 | | P03 | | | | | IRQ11 | DA0 |
| 5 | AVSS1 | | | | | | | |
| 6 | | P02 | | TMCI1 | SCK6 | | IRQ10 | AN120 |
| 7 | | P01 | | TMCI0 | RXD6/SMISO6/ SSCL6 | | IRQ9 | AN119 |
| 8 | | P00 | | TMRI0 | TXD6/SMOSI6/ SSDA6 | | IRQ8 | AN118 |
| 9 | | PF5 | | | | | IRQ4 | |
| 10 | EMLE | | | | | | | |
| 11 | | PJ5 | | POE8# | CTS2#/RTS2#/SS2# | | | |
| 12 | VSS | | | | | | | |
| 13 | | PJ3 | EDACK1 | MTIOC3C | ET0_EXOUT/ CTS6#/RTS6#/ CTS0#/RTS0#/ SS6#/SS0# | | | |
| 14 | VCL | | | | | | | |
| 15 | VBATT | | | | | | | |
| 16 | NC | | | | | | | |
| 17 | TRST# | PF4 | | | | | | |
| 18 | MD/FINED | | | | | | | |
| 19 | XCIN | | | | | | | |
| 20 | XCOUT | | | | | | | |
| 21 | RES# | | | | | | | |
| 22 | XTAL | P37 | | | | | | |
| 23 | VSS | | | | | | | |
| 24 | EXTAL | P36 | | | | | | |
| 25 | VCC | | | | | | | |
| 26 | UPSEL | P35 | | | | | NMI | |
| 27 | | P34 | | MTIOC0A/TMCI3/ PO12/POE10# | SCK6/SCK0/ ET0_LINKSTA | | IRQ4 | |
| 28 | | P33 | EDREQ1 | MTIOC0D/TIOC0D/ TMRI3/PO11/POE4#/ POE11# | RXD6/RXD0/ SMISO6/ SMISO0/SSCL6/ SSCL0/CRX0 | PCKO | IRQ3-DS | |
| 29 | | P32 | | MTIOC0C/TIOCC0/ TMO3/PO10/ RTCOU/RTCIC2/ POE0#/POE10# | TXD6/TXD0/ SMOSI6/SMOSI0/ SSDA6/SSDA0/ CTX0/ USB_VBUSEN | VSYNC | IRQ2-DS | |
| 30 | TMS | PF3 | | | | | | |
| 31 | TDI | PF2 | | | RXD1/SMISO1/ SSCL1 | | | |
| 32 | | P31 | | MTIOC4D/TMCI2/ PO9/RTCIC1 | CTS1#/RTS1#/ SS1#/ET1_MDC | | IRQ1-DS | |
| 33 | | P30 | | MTIOC4B/TMRI3/ PO8/RTCIC0/POE8# | RXD1/SMISO1/ SSCL1/ ET1_MDIO | | IRQ0-DS | |
| 34 | TCK | PF1 | | | SCK1 | | | |
| 35 | TDO | PF0 | | | TXD1/SMOSI1/ SSDA1 | | | |

Table 1.6 List of Pin and Pin Functions (176-Pin LQFP) (2/7)

| Pin Number | Power Supply Clock System Control | I/O Port | Bus EXDMAC SDRAMC | Timer (MTU, GPT, TPU, TMR, PPG, RTC, CMTW, POE, CAC) | Communication (ETHERC, SC1g, SC1h, RSPI, RIIC, CAN, USB, SSI) | Memory Interface Camera Interface (QSPI, SDHI, MMCIF, PDC) | Interrupt | S12ADC, R12DA |
|------------|-----------------------------------|----------|-------------------|--|--|--|-----------|---------------|
| 36 | | P27 | CS7# | MTIOC2B/TMCI3/PO7 | SCK1/ET1_WOL | | | |
| 37 | | P26 | CS6# | MTIOC2A/TMO1/PO6 | TXD1/CTS3#/ RTS3#/SMOSI1/ SS3#/SSDA1/ ET1_EXOUT | | | |
| 38 | | P25 | CS5#/ EDACK1 | MTIOC4C/MTCLKB/ TIOCA4/PO5 | RXD3/SMISO3/ SSCL3/ SSIDATA1 | HSYNC | | ADTRG0# |
| 39 | VCC | | | | | | | |
| 40 | | P24 | CS4#/ EDREQ1 | MTIOC4A/MTCLKA/ TIOCB4/TMR11/PO4 | SCK3/ USB0_VBUSEN/ SSISCK1 | PIXCLK | | |
| 41 | VSS | | | | | | | |
| 42 | | P23 | EDACK0 | MTIOC3D/MTCLKD/ GTIOC0A-B/TIOC3/ PO3 | TXD3/CTS0#/ RTS0#/SMOSI3/ SS0#/SSDA3/ SSISCK0 | PIXD7 | | |
| 43 | | P22 | EDREQ0 | MTIOC3B/MTCLKC/ GTIOC1A-B/TIOCC3/ TMO0/PO2 | SCK0/ USB0_OVRCURB/ USBA_OVRCURB/ AUDIO_MCLK | PIXD6 | | |
| 44 | | P21 | | MTIOC1B/MTIOC4A/ GTIOC2A-B/TIOCA3/ TMCI0/PO1 | RXD0/SMISO0/ SSCL0/ USB0_EXICEN/ USBA_EXICEN/ SSIWS0 | PIXD5 | IRQ9 | |
| 45 | | P20 | | MTIOC1A/TIOCB3/ TMR10/PO0 | TXD0/SMOSI0/ SSDA0/USB0_ID/ USBA_ID/ SSIRXD0 | PIXD4 | IRQ8 | |
| 46 | | P17 | | MTIOC3A/MTIOC3B/ MTIOC4B/ GTIOC0B-B/TIOCB0/ TCLKD/TMO1/PO15/ POE8# | SCK1/TXD3/ SMOSI3/SSDA3/ SDA2-DS/ SSITXD0 | PIXD3 | IRQ7 | ADTRG1# |
| 47 | | P87 | | MTIOC4C/ GTIOC1B-B/TIOCA2 | TXD10 | PIXD2 | | |
| 48 | | P16 | | MTIOC3C/MTIOC3D/ TIOCB1/TCLKC/ TMO2/PO14/ RTCOUT | TXD1/RXD3/ SMOSI1/SMISO3/ SSDA1/SSCL3/ SCL2-DS/ USB0_VBUS/ USB0_VBUSEN/ USB0_OVRCURB | | IRQ6 | ADTRG0# |
| 49 | | P86 | | MTIOC4D/ GTIOC2B-B/TIOCA0 | RXD10 | PIXD1 | | |
| 50 | | P15 | | MTIOC0B/MTCLKB/ GTETR-B/TIOCB2/ TCLKB/TMCI2/PO13 | RXD1/SCK3/ SMISO1/SSCL1/ CRX1-DS/ USBA_VBUSEN/ SSIWS1 | PIXD0 | IRQ5 | |
| 51 | | P14 | | MTIOC3A/MTCLKA/ TIOCB5/TCLKA/ TMR12/PO15 | CTS1#/RTS1#/ SS1#/CTX1/ USB0_OVRCURA | | IRQ4 | |
| 52 | | P13 | WR2#/BC2# | MTIOC0B/TIOCA5/ TMO3/PO13 | TXD2/SMOSI2/ SSDA2/ SDA0[FM+] | | IRQ3 | ADTRG1# |
| 53 | | P12 | WR3#/BC3# | MTIC5U/TMCI1 | RXD2/SMISO2/ SSCL2/ SCL0[FM+] | | IRQ2 | |
| 54 | VCC_USB | | | | | | | |
| 55 | | | | | USB0_DM | | | |
| 56 | | | | | USB0_DP | | | |

Table 1.6 List of Pin and Pin Functions (176-Pin LQFP) (3/7)

| Pin Number | Power Supply Clock System Control | I/O Port | Bus EXDMAC SDRAMC | Timer (MTU, GPT, TPU, TMR, PPG, RTC, CMTW, POE, CAC) | Communication (ETHERC, SC1g, SC1h, RSPI, RIIC, CAN, USB, SSI) | Memory Interface Camera Interface (QSPI, SDHI, MMCIF, PDC) | Interrupt | S12ADC, R12DA |
|------------|---|----------|-------------------------|---|--|---|-----------|------------------|
| 57 | VSS_USB | | | | | | | |
| 58 | AVCC_USBA | | | | | | | |
| 59 | USBA_RREF | | | | | | | |
| 60 | AVSS_USBA | | | | | | | |
| 61 | PVSS_USBA | | | | | | | |
| 62 | VSS2_USBA | | | | | | | |
| 63 | | | | | USBA_DM | | | |
| 64 | | | | | USBA_DP | | | |
| 65 | VSS1_USBA | | | | | | | |
| 66 | VCC_USBA | | | | | | | |
| 67 | | P11 | | MTIC5V/TMC13 | SCK2/USBA_VBUS/ USBA_VBUSEN | | IRQ1 | |
| 68 | | P10 | ALE | MTIC5W/TMR13 | USBA_OVRCURA | | IRQ0 | |
| 69 | | P53*1 | BCLK | | | | | |
| 70 | | P52 | RD# | | RXD2/SMISO2/SSCL2 | | | |
| 71 | | P51 | WR1#/BC1#/ WAIT# | | SCK2 | | | |
| 72 | | P50 | WRO#/WR# | | TXD2/SMOSI2/SSDA2 | | | |
| 73 | VSS | | | | | | | |
| 74 | | P83 | EDACK1 | MTIOC4C/ GTIOC0A-D | CTS10#/ET0_CRS/ RMII0_CRS_DV/ SCK10 | | | |
| 75 | VCC | | | | | | | |
| 76 | UB | PC7 | A23/CS0# | MTIOC3A/MTCLKB/ GTIOC3A-D/TMO2/ TOC0/PO31/CACREF | TXD8/MISOA-A/ ET0_COL | MMC_D7-A | IRQ14 | |
| 77 | | PC6 | A22/CS1# | MTIOC3C/MTCLKA/ GTIOC3B-D/TMC12/ TIC0/PO30 | RXD8/MOSIA-A/ ET0_ETXD3 | MMC_D6-A | IRQ13 | |
| 78 | | PC5 | A21/CS2#/ WAIT# | MTIOC3B/MTCLKD/ GTIOC1A-D/TMR12/ PO29 | SCK8/RSPCKA-A/ RTS8#/ET0_ETXD2 | MMC_D5-A | | |
| 79 | | P82 | EDREQ1 | MTIOC4A/ GTIOC2A-D/PO28 | TXD10/ET0_ETXD1/ RMII0_TXD1 | MMC_D4-A | | |
| 80 | | P81 | EDACK0 | MTIOC3D/ GTIOC0B-D/PO27 | RXD10/ET0_ETXD0/ RMII0_TXD0 | MMC_D3-A/ SDHI_CD-A/ QIO3-A | | |
| 81 | | P80 | EDREQ0 | MTIOC3B/PO26 | SCK10/RTS10#/ ET0_TX_EN/ RMII0_TXD_EN | MMC_D2-A/ SDHI_WP-A/ QIO2-A | | |
| 82 | | PC4 | A20/CS3# | MTIOC3D/MTCLKC/ GTETRQ-D/TMC11/ PO25/POE0# | SCK5/CTS8#/SSLA0- A/ET0_TX_CLK | MMC_D1-A/ SDHI_D1-A/ QIO1-A/QMI-A | | |
| 83 | | PC3 | A19 | MTIOC4D/ GTIOC1B-D/TCLKB/ PO24 | TXD5/SMOSI5/ SSDA5/ ET0_TX_ER | MMC_D0-A/ SDHI_D0-A/ QIO0-A/ QMO-A | | |
| 84 | | P77 | CS7# | PO23 | TXD11/ET0_RX_ER/ RMII0_RX_ER | MMC_CLK-A/ SDHI_CLK-A/ QSPCLK-A | | |

Table 1.6 List of Pin and Pin Functions (176-Pin LQFP) (4/7)

| Pin Number | Power Supply Clock System Control | I/O Port | Bus EXDMAC SDRAMC | Timer (MTU, GPT, TPU, TMR, PPG, RTC, CMTW, POE, CAC) | Communication (ETHERC, SC1g, SC1h, RSPI, RIIC, CAN, USB, SSI) | Memory Interface Camera Interface (QSPI, SDHI, MMCIF, PDC) | Interrupt | S12ADC, R12DA |
|------------|-----------------------------------|----------|-------------------|---|--|--|-----------|---------------|
| 85 | | P76 | CS6# | PO22 | RXD11/ET0_RX_CLK/ REF50CK0 | MMC_CMD-A/ SDHI_CMD-A/ QSSL-A | | |
| 86 | | PC2 | A18 | MTIOC4B/ GTIOC2B-D/TCLKA/ PO21 | RXD5/SMISO5/ SSCL5/SSLA3-A/ ET0_RX_DV | MMC_CD-A/ SDHI_D3-A | | |
| 87 | | P75 | CS5# | PO20 | SCK11/RTS11#/ ET0_ERXD0/ RMII0_RXD0 | MMC_RES#-A/ SDHI_D2-A | | |
| 88 | | P74 | A20/CS4# | PO19 | CTS11#/ET0_ERXD1/ RMII0_RXD1 | | | |
| 89 | | PC1 | A17 | MTIOC3A/TCLKD/ PO18 | SCK5/SSLA2-A/ ET0_ERXD2 | | IRQ12 | |
| 90 | VCC | | | | | | | |
| 91 | | PC0 | A16 | MTIOC3C/TCLKC/ PO17 | CTS5#/RTS5#/SS5#/ SSLA1-A/ET0_ERXD3 | | IRQ14 | |
| 92 | VSS | | | | | | | |
| 93 | | P73 | CS3# | PO16 | ET0_WOL | | | |
| 94 | | PB7 | A15 | MTIOC3B/TIOCB5/ PO31 | TXD9/ET0_CRS/ RMII0_CRS_DV | | | |
| 95 | | PB6 | A14 | MTIOC3D/TIOCA5/ PO30 | RXD9/ET0_ETXD1/ RMII0_TXD1 | | | |
| 96 | | PB5 | A13 | MTIOC2A/MTIOC1B/ TIOCB4/TMR11/PO29/ POE4# | SCK9/RTS9#/ ET0_ETXD0/ RMII0_TXD0 | | | |
| 97 | | PB4 | A12 | TIOCA4/PO28 | CTS9#/ET0_TX_EN/ RMII0_TXD_EN | | | |
| 98 | | PB3 | A11 | MTIOC0A/MTIOC4A/ TIOC3/TCLKD/ TMO0/PO27/POE11# | SCK4/SCK6/ ET0_RX_ER/ RMII0_RX_ER | | | |
| 99 | | PB2 | A10 | TIOCC3/TCLKC/ PO26 | CTS4#/RTS4#/ RTS6#/SS4#/ SS6#/ ET0_RX_CLK/ REF50CK0 | | | |
| 100 | | PB1 | A9 | MTIOC0C/MTIOC4C/ TIOCB3/TMCI0/PO25 | TXD4/TXD6/SMOSI4/ SMOSI6/SSDA4/ SSDA6/ET0_ERXD0/ RMII0_RXD0 | | IRQ4-DS | |
| 101 | | P72 | A19/CS2# | | ET0_MDC | | | |
| 102 | | P71 | A18/CS1# | | ET0_MDIO | | | |
| 103 | VCC | | | | | | | |
| 104 | | PB0 | A8 | MTIC5W/TIOCA3/ PO24 | RXD4/RXD6/SMISO4/ SMISO6/SSCL4/ SSCL6/ET0_ERXD1/ RMII0_RXD1 | | IRQ12 | |
| 105 | VSS | | | | | | | |
| 106 | | PA7 | A7 | TIOCB2/PO23 | MISOA-B/ ET0_WOL | | | |
| 107 | | PA6 | A6 | MTIC5V/MTCLKB/ GTETRG-C/TIOCA2/ TMCI3/PO22/POE10# | CTS5#/RTS5#/ SS5#/ MOSIA-B/ ET0_EXOUT | | | |
| 108 | | PA5 | A5 | MTIOC6B/ GTIOC0A-C/TIOCB1/ PO21 | RSPCKA-B/ ET0_LINKSTA | | | |
| 109 | | PA4 | A4 | MTIC5U/MTCLKA/ TIOCA1/TMRI0/PO20 | TXD5/SMOSI5/ SSDA5/SSLA0-B/ ET0_MDC | | IRQ5-DS | |
| 110 | | PA3 | A3 | MTIOC0D/MTCLKD/ TIOC0D/TCLKB/PO19 | RXD5/SMISO5/ SSCL5/ ET0_MDIO | | IRQ6-DS | |

Table 1.6 List of Pin and Pin Functions (176-Pin LQFP) (5/7)

| Pin Number | Power Supply Clock System Control | I/O Port | Bus EXDMAC SDRAMC | Timer (MTU, GPT, TPU, TMR, PPG, RTC, CMTW, POE, CAC) | Communication (ETHERC, SC1g, SC1h, RSPI, RIIC, CAN, USB, SSI) | Memory Interface Camera Interface (QSPI, SDHI, MMCIF, PDC) | Interrupt | S12ADC, R12DA |
|------------|---|----------|-------------------------|---|--|---|-----------|------------------|
| 111 | TRDATA3 | PG7 | D31 | | ET1_TX_ER | | | |
| 112 | | PA2 | A2 | MTIOC7A/ GTIOC1A-C/PO18 | RXD5/SMISO5/ SSCL5/SSLA3-B | | | |
| 113 | TRDATA2 | PG6 | D30 | | ET1_ETXD3 | | | |
| 114 | | PA1 | A1/DQM3 | MTIOC0B/MTCLKC/ MTIOC7B/ GTIOC2A-C/TIOCB0/ PO17 | SCK5/SSLA2-B/ ET0_WOL | | IRQ11 | |
| 115 | VCC | | | | | | | |
| 116 | TRCLK | PG5 | D29 | | ET1_ETXD2 | | | |
| 117 | VSS | | | | | | | |
| 118 | | PA0 | A0/BC0#/ DQM2 | MTIOC4A/MTIOC6D/ GTIOC0B-C/TIOCA0/ CACREF/PO16 | SSLA1-B/ ET0_TX_EN/ RMII0_TXD_EN | | | |
| 119 | TRSYNC | PG4 | D28 | | ET1_ETXD1/ RMII1_TXD1 | | | |
| 120 | | P67 | CS7#/DQM1 | MTIOC7C/ GTIOC1B-C | CRX2 | | IRQ15 | |
| 121 | TRDATA1 | PG3 | D27 | | ET1_ETXD0/ RMII1_TXD0 | | | |
| 122 | | P66 | CS6#/DQM0 | MTIOC7D/ GTIOC2B-C | CTX2 | | | |
| 123 | TRDATA0 | PG2 | D26 | | ET1_TX_CLK | | | |
| 124 | | P65 | CS5#/CKE | | | | | |
| 125 | | PE7 | D15[A15/D15] | MTIOC6A/ GTIOC3A-E/TOC1 | | MMC_RES#-B/ SDHI_WP-B | IRQ7 | AN105 |
| 126 | | PE6 | D14[A14/D14] | MTIOC6C/ GTIOC3B-E/TIC1 | | MMC_CD-B/ SDHI_CD-B | IRQ6 | AN104 |
| 127 | VCC | | | | | | | |
| 128 | | P70 | SDCLK | | | | | |
| 129 | VSS | | | | | | | |
| 130 | | PE5 | D13[A13/D13] | MTIOC4C/MTIOC2B/ GTIOC0A-A | ET0_RX_CLK/ REF50CK0 | | IRQ5 | AN103 |
| 131 | | PE4 | D12[A12/D12] | MTIOC4D/MTIOC1A/ GTIOC1A-A/PO28 | ET0_ERXD2 | | | AN102 |
| 132 | | PE3 | D11[A11/D11] | MTIOC4B/ GTIOC2A-A/PO26/ POE8#/TOC3 | CTS12#/RTS12#/ SS12#/ ET0_ERXD3 | MMC_D7-B | | AN101 |
| 133 | | PE2 | D10[A10/D10] | MTIOC4A/ GTIOC0B-A/PO23/ TIC3 | RXD12/SMISO12/ SSCL12/ RXDX12 | MMC_D6-B | IRQ7-DS | AN100 |
| 134 | | PE1 | D9[A9/D9] | MTIOC4C/MTIOC3B/ GTIOC1B-A/PO18 | TXD12/SMOSI12/ SSDA12/TXDX12/ SIOX12 | MMC_D5-B | | ANEX1 |
| 135 | | PE0 | D8[A8/D8] | MTIOC3D/ GTIOC2B-A | SCK12 | MMC_D4-B | | ANEX0 |
| 136 | | P64 | CS4#/WE# | | | | | |
| 137 | | P63 | CS3#/CAS# | | | | | |
| 138 | | P62 | CS2#/RAS# | | | | | |
| 139 | | P61 | CS1#/SDCS# | | | | | |
| 140 | VSS | | | | | | | |
| 141 | | P60 | CS0# | | ET1_TX_EN/ RMII1_TXD_EN | | | |
| 142 | VCC | | | | | | | |

Table 1.6 List of Pin and Pin Functions (176-Pin LQFP) (6/7)

| Pin Number | Power Supply Clock System Control | I/O Port | Bus EXDMAC SDRAMC | Timer (MTU, GPT, TPU, TMR, PPG, RTC, CMTW, POE, CAC) | Communication (ETHERC, SC1g, SC1h, RSPI, RIIC, CAN, USB, SSI) | Memory Interface Camera Interface (QSPI, SDHI, MMCIF, PDC) | Interrupt | S12ADC, R12DA |
|------------|---|----------|-------------------------|---|--|---|--------------|------------------|
| 143 | | PD7 | D7[A7/D7] | MTIC5U/POE0# | | MMC_D1-B/ SDHI_D1-B/ QIO1-B/QMI-B | IRQ7 | AN107 |
| 144 | | PG1 | D25 | | ET1_RX_ER/ RMII1_RX_ER | | | |
| 145 | | PD6 | D6[A6/D6] | MTIC5V/MTIOC8A/ POE4# | | MMC_D0-B/ SDHI_D0-B/ QIO0-B/ QMO-B | IRQ6 | AN106 |
| 146 | | PG0 | D24 | | ET1_RX_CLK/ REF50CK1 | | | |
| 147 | | PD5 | D5[A5/D5] | MTIC5W/MTIOC8C/ POE10# | | MMC_CLK-B/ SDHI_CLK-B/ QSPCLK-B | IRQ5 | AN113 |
| 148 | | PD4 | D4[A4/D4] | MTIOC8B/POE11# | | MMC_CMD-B/ SDHI_CMD-B/ QSSL-B | IRQ4 | AN112 |
| 149 | | P97 | A23/D23 | | ET1_ERXD3 | | | |
| 150 | | PD3 | D3[A3/D3] | MTIOC8D/ GTIOC0A-E/POE8#/ TOC2 | | MMC_D3-B/ SDHI_D3-B/ QIO3-B | IRQ3 | AN111 |
| 151 | VSS | | | | | | | |
| 152 | | P96 | A22/D22 | | ET1_ERXD2 | | | |
| 153 | VCC | | | | | | | |
| 154 | | PD2 | D2[A2/D2] | MTIOC4D/ GTIOC0B-E/TIC2 | CRX0 | MMC_D2-B/ SDHI_D2-B/ QIO2_B | IRQ2 | AN110 |
| 155 | | P95 | A21/D21 | | ET1_ERXD1/ RMII1_RXD1 | | | |
| 156 | | PD1 | D1[A1/D1] | MTIOC4B/ GTIOC1A-E/POE0# | CTX0 | | IRQ1 | AN109 |
| 157 | | P94 | A20/D20 | | ET1_ERXD0/ RMII1_RXD0 | | | |
| 158 | | PD0 | D0[A0/D0] | GTIOC1B-E/POE4# | | | IRQ0 | AN108 |
| 159 | | P93 | A19/D19 | POE0# | ET1_LINKSTA/CTS7#/ RTS7#/SS7# | | | AN117 |
| 160 | | P92 | A18/D18 | POE4# | ET1_CRS/ RMII1_CRS_DV/ RXD7/SMISO7/SSCL7 | | | AN116 |
| 161 | | P91 | A17/D17 | | ET1_COL/SCK7 | | | AN115 |
| 162 | VSS | | | | | | | |
| 163 | | P90 | A16/D16 | | ET1_RX_DV/ TXD7/SMOSI7/SSDA7 | | | AN114 |
| 164 | VCC | | | | | | | |
| 165 | | P47 | | | | | IRQ15- DS | AN007 |
| 166 | | P46 | | | | | IRQ14- DS | AN006 |
| 167 | | P45 | | | | | IRQ13- DS | AN005 |
| 168 | | P44 | | | | | IRQ12- DS | AN004 |
| 169 | | P43 | | | | | IRQ11-DS | AN003 |
| 170 | | P42 | | | | | IRQ10- DS | AN002 |
| 171 | | P41 | | | | | IRQ9-DS | AN001 |
| 172 | VREFLO | | | | | | | |

Table 1.6 List of Pin and Pin Functions (176-Pin LFQFP) (7/7)

| Pin Number | Power Supply Clock System Control | I/O Port | Bus EXDMAC SDRAMC | Timer (MTU, GPT, TPU, TMR, PPG, RTC, CMTW, POE, CAC) | Communication (ETHERC, SC1g, SC1h, RSPI, RIIC, CAN, USB, SSI) | Memory Interface Camera Interface (QSPI, SDHI, MMCIF, PDC) | Interrupt | S12ADC, R12DA |
|------------|---|----------|-------------------------|---|--|---|-----------|------------------|
| 173 | | P40 | | | | | IRQ8-DS | AN000 |
| 174 | VREFH0 | | | | | | | |
| 175 | AVCC0 | | | | | | | |
| 176 | | P07 | | | | | IRQ15 | ADTRG0# |

Note 1. The BCLK function is multiplexed with the I/O port function for pin P53, so the port function is not available if the external bus is enabled.

Table 1.7 List of Pin and Pin Functions (145-Pin TFLGA) (1/5)

| Pin Number | Power Supply Clock System Control | I/O Port | Bus EXDMAC SDRAMC | Timer (MTU, GPT, TPU, TMR, PPG, RTC, CMTW, POE, CAC) | Communication (ETHERC, SC1g, SC1h, RSPI, RIIC, CAN, USB, SSI) | Memory Interface Camera Interface (QSPI, SDHI, MMCIF, PDC) | Interrupt | S12ADC, R12DA |
|------------|-----------------------------------|----------|-------------------|--|---|--|-----------|---------------|
| A1 | AVSS0 | | | | | | | |
| A2 | | P07 | | | | | IRQ15 | ADTRG0# |
| A3 | | P40 | | | | | IRQ8-DS | AN000 |
| A4 | | P42 | | | | | IRQ10-DS | AN002 |
| A5 | | P45 | | | | | IRQ13-DS | AN005 |
| A6 | | P90 | A16 | | TXD7/SMOSI7/SSDA7 | | | AN114 |
| A7 | | P92 | A18 | POE4# | RXD7/SMISO7/SSCL7 | | | AN116 |
| A8 | | PD2 | D2[A2/D2] | MTIOC4D/GTIOC0B-E/TIC2 | CRX0 | MMC_D2-B/SDHI_D2-B/QIO2-B | IRQ2 | AN110 |
| A9 | | PD6 | D6[A6/D6] | MTIC5V/MTIOC8A/POE4# | | MMC_D0-B/SDHI_D0-B/QIO0-B/QMO-B | IRQ6 | AN106 |
| A10 | VSS | | | | | | | |
| A11 | | P62 | CS2#/RAS# | | | | | |
| A12 | | PE1 | D9[A9/D9] | MTIOC4C/MTIOC3B/GTIOC1B-A/PO18 | TXD12/SMOSI12/SSDA12/TXDX12/SIOX12 | MMC_D5-B | | ANEX1 |
| A13 | | PE3 | D11[A11/D11] | MTIOC4B/GTIOC2A-A/PO26/POE8#/TOC3 | CTS12#/RTS12#/SS12#/ET0_ERXD3/ | MMC_D7-B | | AN101 |
| B1 | AVCC1 | | | | | | | |
| B2 | AVCC0 | | | | | | | |
| B3 | | P05 | | | | | IRQ13 | DA1 |
| B4 | VREFL0 | | | | | | | |
| B5 | | P43 | | | | | IRQ11-DS | AN003 |
| B6 | | P47 | | | | | IRQ15-DS | AN007 |
| B7 | | P91 | A17 | | SCK7 | | | AN115 |
| B8 | | PD0 | D0[A0/D0] | GTIOC1B-E/POE4# | | | IRQ0 | AN108 |
| B9 | | PD4 | D4[A4/D4] | MTIOC8B/POE11# | | MMC_CMD-B/SDHI_CMD-B/QSSL-B | IRQ4 | AN112 |
| B10 | VCC | | | | | | | |
| B11 | | P61 | CS1#/SDCS# | | | | | |
| B12 | | PE2 | D10[A10/D10] | MTIOC4A/GTIOC0B-A/PO23/TIC3 | RXD12/SMISO12/SSCL12/RXDX12/ | MMC_D6-B | IRQ7-DS | AN100 |
| B13 | | PE4 | D12[A12/D12] | MTIOC4D/MTIOC1A/GTIOC1A-A/PO28 | ET0_ERXD2 | | | AN102 |
| C1 | AVSS1 | | | | | | | |
| C2 | | P02 | | TMCI1 | SCK6 | | IRQ10 | AN120 |
| C3 | VREFH0 | | | | | | | |
| C4 | | P41 | | | | | IRQ9-DS | AN001 |
| C5 | | P46 | | | | | IRQ14-DS | AN006 |
| C6 | VSS | | | | | | | |
| C7 | | PD1 | D1[A1/D1] | MTIOC4B/GTIOC1A-E/POE0# | CTX0 | | IRQ1 | AN109 |
| C8 | | PD3 | D3[A3/D3] | MTIOC8D/GTIOC0A-E/POE8#/TOC2 | | MMC_D3-B/SDHI_D3-B/QIO3-B | IRQ3 | AN111 |

Table 1.7 List of Pin and Pin Functions (145-Pin TFLGA) (2/5)

| Pin Number | Power Supply Clock System Control | I/O Port | Bus EXDMAC SDRAMC | Timer (MTU, GPT, TPU, TMR, PPG, RTC, CMTW, POE, CAC) | Communication (ETHERC, SC1g, SC1h, RSPI, RIIC, CAN, USB, SSI) | Memory Interface Camera Interface (QSPI, SDHI, MMCIF, PDC) | Interrupt | S12ADC, R12DA |
|------------|---|----------|-------------------------|---|--|---|--------------|------------------|
| C9 | | PD7 | D7[A7/D7] | MTIC5U/POE0# | | MMC_D1-B/ SDHI_D1-B/ QIO1-B/QMI-B | IRQ7 | AN107 |
| C10 | | P63 | CS3#/CAS# | | | | | |
| C11 | | PE0 | D8[A8/D8] | MTIOC3D/ GTIOC2B-A | SCK12 | MMC_D4-B | | ANEX0 |
| C12 | | P70 | SDCLK | | | | | |
| C13 | VSS | | | | | | | |
| D1 | | P00 | | TMR10 | TXD6/SMOSI6/SSDA6 | | IRQ8 | AN118 |
| D2 | | PF5 | | | | | IRQ4 | |
| D3 | | P03 | | | | | IRQ11 | DA0 |
| D4 | | P01 | | TMC10 | RXD6/SMISO6/SSCL6 | | IRQ9 | AN119 |
| D5 | VCC | | | | | | | |
| D6 | | P93 | A19 | POE0# | CTS7#/RTS7#/SS7# | | | AN117 |
| D7 | | PD5 | D5[A5/D5] | MTIC5W/MTIOC8C/ POE10# | | MMC_CLK-B/ SDHI_CLK-B/ QSPCLK-B | IRQ5 | AN113 |
| D8 | | P60 | CS0# | | | | | |
| D9 | | P64 | CS4#/WE# | | | | | |
| D10 | | PE7 | D15[A15/D15] | MTIOC6A/ GTIOC3A-E/TOC1 | | MMC_RES#-B/ SDHI_WP-B | IRQ7 | AN105 |
| D11 | VCC | | | | | | | |
| D12 | | PE5 | D13[A13/D13] | MTIOC4C/MTIOC2B/ GTIOC0A-A | ET0_RX_CLK/ REF50CK0 | | IRQ5 | AN103 |
| D13 | | PE6 | D14[A14/D14] | MTIOC6C/GTIOC3B- E/TIC1 | | MMC_CD-B/ SDHI_CD-B | IRQ6 | AN104 |
| E1 | VSS | | | | | | | |
| E2 | VCL | | | | | | | |
| E3 | | PJ5 | | POE8# | CTS2#/RTS2#/SS2# | | | |
| E4 | EMLE | | | | | | | |
| E5 | | P44 | | | | | IRQ12- DS | AN004 |
| E10 | | PA0 | A0/BC0# | MTIOC4A/MTIOC6D/ GTIOC0B-C/TIOCA0/ CACREF/PO16 | SSLA1-B/ ET0_TX_EN/ RMII0_TXD_EN | | | |
| E11 | | P66 | CS6#/DQM0 | MTIOC7D/ GTIOC2B-C | CTX2 | | | |
| E12 | | P65 | CS5#/CKE | | | | | |
| E13 | | P67 | CS7#/DQM1 | MTIOC7C/ GTIOC1B-C | CRX2 | | IRQ15 | |
| F1 | XCIN | | | | | | | |
| F2 | XCOU | | | | | | | |
| F3 | | PJ3 | EDACK1 | MTIOC3C | ET0_EXOUT/CTS6#/ RTS6#/CTS0#/RTS0#/ SS6#/SS0# | | | |
| F4 | VBATT | | | | | | | |
| F10 | | PA3 | A3 | MTIOC0D/MTCLKD/ TIOC0D/TCLKB/PO19 | RXD5/SMISO5/ SSCL5/ET0_MDIO | | IRQ6-DS | |
| F11 | VSS | | | | | | | |
| F12 | | PA1 | A1 | MTIOC0B/MTCLKC/ MTIOC7B/ GTIOC2A-C/TIOC0B/ PO17 | SCK5/SSLA2-B/ ET0_WOL | | IRQ11 | |

Table 1.7 List of Pin and Pin Functions (145-Pin TFLGA) (3/5)

| Pin Number | Power Supply Clock System Control | I/O Port | Bus EXDMAC SDRAMC | Timer (MTU, GPT, TPU, TMR, PPG, RTC, CMTW, POE, CAC) | Communication (ETHERC, SC1g, SC1h, RSPI, RIIC, CAN, USB, SSI) | Memory Interface Camera Interface (QSPI, SDHI, MMCIF, PDC) | Interrupt | S12ADC, R12DA |
|------------|-----------------------------------|----------|-------------------|---|--|--|-----------|---------------|
| F13 | | PA2 | A2 | MTIOC7A/ GTIOC1A-C/PO18 | RXD5/SMISO5/ SSCL5/SSLA3-B | | | |
| G1 | XTAL | P37 | | | | | | |
| G2 | RES | | | | | | | |
| G3 | MD/FINED | | | | | | | |
| G4 | BSCANP | | | | | | | |
| G10 | | PA5 | A5 | MTIOC6B/TIOCB1/ GTIOC0A-C/PO21 | RSPCKA-B/ ET0_LINKSTA | | | |
| G11 | | PA6 | A6 | MTIC5V/MTCLKB/ GTETRG-C/TIOCA2/ TMC13/PO22/POE10# | CTS5#/RTS5#/SS5#/ MOSIA-B/ ET0_EXOUT | | | |
| G12 | VCC | | | | | | | |
| G13 | | PA4 | A4 | MTIC5U/MTCLKA/ TIOCA1/TMRI0/PO20 | TXD5/SMOSI5/ SSDA5/SSLA0-B/ ET0_MDC | | IRQ5-DS | |
| H1 | EXTAL | P36 | | | | | | |
| H2 | VCC | | | | | | | |
| H3 | VSS | | | | | | | |
| H4 | UPSEL | P35 | | | | | NMI | |
| H10 | | P72 | A19/CS2# | | ET0_MDC | | | |
| H11 | | P71 | A18/CS1# | | ET0_MDIO | | | |
| H12 | | PB0 | A8 | MTIC5W/TIOCA3/ PO24 | RXD4/RXD6/SMISO4/ SMISO6/SSCL4/ SSCL6/ET0_ERXD1/ RMII0_RXD1 | | IRQ12 | |
| H13 | | PA7 | A7 | TIOCB2/PO23 | MISOA-B/ET0_WOL | | | |
| J1 | TRST# | P34 | | MTIOC0A/TMC13/ PO12/POE10# | SCK6/SCK0/ ET0_LINKSTA | | IRQ4 | |
| J2 | | P33 | EDREQ1 | MTIOC0D/TIOC0D/ TMRI3/PO11/POE4#/ POE11# | RXD6/RXD0/SMISO6/ SMISO0/SSCL6/ SSCL0/CRX0 | PCKO | IRQ3-DS | |
| J3 | | P32 | | MTIOC0C/TIOC0C/ TMO3/PO10/ RTCOUT/RTCIC2/ POE0#/POE10# | TXD6/TXD0/SMOSI6/ SMOSI0/SSDA6/ SSDA0/CTX0/ USB0_VBUSEN | VSYNC | IRQ2-DS | |
| J4 | TDI | P30 | | MTIOC4B/TMRI3/ PO8/RTCIC0/POE8# | RXD1/SMISO1/SSCL1 | | IRQ0-DS | |
| J10 | | PB3 | A11 | MTIOC0A/MTIOC4A/ TIOC03/TCLKD/ TMO0/PO27/POE11# | SCK4/SCK6/ ET0_RX_ER/ RMII0_RX_ER | | | |
| J11 | | PB4 | A12 | TIOCA4/PO28 | CTS9#/ET0_TX_EN/ RMII0_TXD_EN | | | |
| J12 | | PB2 | A10 | TIOC03/TCLKC/ PO26 | CTS4#/RTS4#/CTS6#/ RTS6#/SS4#/SS6#/ ET0_RX_CLK/ REF50CK0 | | | |
| J13 | | PB1 | A9 | MTIOC0C/MTIOC4C/ TIOC03/TMC10/PO25 | TXD4/TXD6/SMOSI4/ SMOSI6/SSDA4/ SSDA6/ET0_ERXD0/ RMII0_RXD0 | | IRQ4-DS | |
| K1 | TCK | P27 | CS7# | MTIOC2B/TMC13/PO7 | SCK1 | | | |
| K2 | TDO | P26 | CS6# | MTIOC2A/TMO1/PO6 | TXD1/CTS3#/RTS3#/ SMOSI1/SS3#/SSDA1 | | | |
| K3 | TMS | P31 | | MTIOC4D/TMC12/ PO9/RTCIC1 | CTS1#/RTS1#/SS1# | | IRQ1-DS | |
| K4 | | P15 | | MTIOC0B/MTCLKB/ GTETRG-B/TIOCB2/ TCLKB/TMC12/PO13 | RXD1/SCK3/SMISO1/ SSCL1/CRX1-DS/ SSIWS1 | PIXD0 | IRQ5 | |

Table 1.7 List of Pin and Pin Functions (145-Pin TFLGA) (4/5)

| Pin Number | Power Supply Clock System Control | I/O Port | Bus EXDMAC SDRAMC | Timer (MTU, GPT, TPU, TMR, PPG, RTC, CMTW, POE, CAC) | Communication (ETHERC, SC1g, SC1h, RSPI, RIIC, CAN, USB, SSI) | Memory Interface Camera Interface (QSPI, SDHI, MMCIF, PDC) | Interrupt | S12ADC, R12DA |
|------------|---|----------|-------------------------|--|--|---|-----------|------------------|
| K5 | TRDATA2 | P54 | ALE/EDACK0 | MTIOC4B/TMC1 | CTS2#/RTS2#/SS2#/ CTX1/ET0_LINKSTA | | | |
| K6 | | P53*1 | BCLK | | | | | |
| K7 | | P51 | WR1#/BC1#/ WAIT# | | SCK2 | | | |
| K8 | VCC | | | | | | | |
| K9 | TRDATA0 | P80 | EDREQ0 | MTIOC3B/PO26 | SCK10/RTS10#/ ET0_TX_EN/ RMII0_TXD_EN | MMC_D2-A/ SDHI_WP-A/ QIO2-A | | |
| K10 | | P76 | CS6# | PO22 | RXD11/ET0_RX_CLK/ REF50CK0 | MMC_CMD-A/ SDHI_CMD-A/ QSSL-A | | |
| K11 | | PB7 | A15 | MTIOC3B/TIOCB5/ PO31 | TXD9/ET0_CRS/ RMII0_CRS_DV | | | |
| K12 | | PB6 | A14 | MTIOC3D/TIOCA5/ PO30 | RXD9/ET0_ETXD1/ RMII0_TXD1 | | | |
| K13 | | PB5 | A13 | MTIOC2A/MTIOC1B/ TIOCB4/TMR11/PO29/ POE4# | SCK9/RTS9#/ ET0_ETXD0/ RMII0_TXD0 | | | |
| L1 | | P25 | CS5#/ EDACK1 | MTIOC4C/MTCLKB/ TIOCA4/PO5 | RXD3/SMISO3/ SSCL3/SSIDATA1 | HSYNC | | ADTRG0# |
| L2 | | P23 | EDACK0 | MTIOC3D/MTCLKD/ GTIOC0A-B/TIOCD3/ PO3 | TXD3/CTS0#/RTS0#/ SMOSI3/SS0#/ SSDA3/SSISCK0 | PIXD7 | | |
| L3 | | P16 | | MTIOC3C/MTIOC3D/ TIOCB1/TCLKC/ TMO2/PO14/ RTCOUT | TXD1/RXD3/SMOSI1/ SMISO3/SSDA1/ SSCL3/SCL2-DS/ USB0_VBUS/ USB0_VBUSEN/ USB0_OVRCURB | | IRQ6 | ADTRG0# |
| L4 | | P24 | CS4#/ EDREQ1 | MTIOC4A/MTCLKA/ TIOCB4/TMR11/PO4 | SCK3/ USB0_VBUSEN/ SSISCK1 | PIXCLK | | |
| L5 | | P13 | | MTIOC0B/TIOCA5/ TMO3/PO13 | TXD2/SMOSI2/ SSDA2/SDA0[FM+] | | IRQ3 | ADTRG1# |
| L6 | | P56 | EDACK1 | MTIOC3C/TIOCA1 | | | | |
| L7 | | P52 | RD# | | RXD2/SMISO2/SSCL2 | | | |
| L8 | TRCLK | P83 | EDACK1 | MTIOC4C/ GTIOC0A-D | CTS10#/ET0_CRS/ RMII0_CRS_DV/ SCK10 | | | |
| L9 | | PC5 | A21/CS2#/ WAIT# | MTIOC3B/MTCLKD/ GTIOC1A-D/TMR12/ PO29 | SCK8/RSPCKA-A/ RTS8#/ET0_ETXD2 | MMC_D5-A | | |
| L10 | | PC4 | A20/CS3# | MTIOC3D/MTCLKC/ GTETRQ-D/TMC11/ PO25/POE0# | SCK5/CTS8#/ SSLA0-A/ ET0_TX_CLK | MMC_D1-A/ SDHI_D1-A/ QIO1-A/QMI-A | | |
| L11 | | PC2 | A18 | MTIOC4B/ GTIOC2B-D/TCLKA/ PO21 | RXD5/SMISO5/ SSCL5/SSLA3-A/ ET0_RX_DV | MMC_CD-A/ SDHI_D3-A | | |
| L12 | | P73 | CS3# | PO16 | ET0_WOL | | | |
| L13 | VSS | | | | | | | |
| M1 | | P22 | EDREQ0 | MTIOC3B/MTCLKC/ GTIOC1A-B/TIOCC3/ TMO0/PO2 | SCK0/ USB0_OVRCURB/ AUDIO_MCLK | PIXD6 | | |
| M2 | | P17 | | MTIOC3A/MTIOC3B/ MTIOC4B/ GTIOC0B-B/TIOCB0/ TCLKD/TMO1/PO15/ POE8# | SCK1/TXD3/SMOSI3/ SSDA3/SDA2-DS/ SSITXD0 | PIXD3 | IRQ7 | ADTRG1# |
| M3 | | P86 | | MTIOC4D/ GTIOC2B-B/TIOCA0 | RXD10 | PIXD1 | | |

Table 1.7 List of Pin and Pin Functions (145-Pin TFLGA) (5/5)

| Pin Number | Power Supply Clock System Control | I/O Port | Bus EXDMAC SDRAMC | Timer (MTU, GPT, TPU, TMR, PPG, RTC, CMTW, POE, CAC) | Communication (ETHERC, SC1g, SC1h, RSPI, RIIC, CAN, USB, SSI) | Memory Interface Camera Interface (QSPI, SDHI, MMCIF, PDC) | Interrupt | S12ADC, R12DA |
|------------|-----------------------------------|----------|-------------------|--|---|--|-----------|---------------|
| M4 | | P12 | | TMC11 | RXD2/SMISO2/SSCL2/SCL0[FM+] | | IRQ2 | |
| M5 | VCC_USB | | | | | | | |
| M6 | VSS_USB | | | | | | | |
| M7 | | P50 | WR0#/WR# | | TXD2/SMOSI2/SSDA2 | | | |
| M8 | | PC6 | A22/CS1# | MTIOC3C/MTCLKA/GTIOC3B-D/TMC12/TIC0/PO30 | RXD8/MOSIA-A/ET0_ETXD3 | MMC_D6-A | IRQ13 | |
| M9 | TRDATA1 | P81 | EDACK0 | MTIOC3D/GTIOC0B-D/PO27 | RXD10/ET0_ETXD0/RMII0_TXD0 | MMC_D3-A/SDHI_CD-A/QIO3-A | | |
| M10 | | P77 | CS7# | PO23 | TXD11/ET0_RX_ER/RMII0_RX_ER | MMC_CLK-A/SDHI_CLK-A/QSPCLK-A | | |
| M11 | | PC0 | A16 | MTIOC3C/TCLKC/PO17 | CTS5#/RTS5#/SS5#/SSLA1-A/ET0_ERXD3 | | IRQ14 | |
| M12 | | PC1 | A17 | MTIOC3A/TCLKD/PO18 | SCK5/SSLA2-A/ET0_ERXD2 | | IRQ12 | |
| M13 | VCC | | | | | | | |
| N1 | | P21 | | MTIOC1B/MTIOC4A/GTIOC2A-B/TIOCA3/TMC10/PO1 | RXD0/SMISO0/SSCL0/USB0_EXICEN/SSIWS0 | PIXD5 | IRQ9 | |
| N2 | | P20 | | MTIOC1A/TIOCB3/TMRI0/PO0 | TXD0/SMOSI0/SSDA0/USB0_ID/SSIRXD0 | PIXD4 | IRQ8 | |
| N3 | | P87 | | MTIOC4C/GTIOC1B-B/TIOCA2 | TXD10 | PIXD2 | | |
| N4 | | P14 | | MTIOC3A/MTCLKA/TIOCB5/TCLKA/TMRI2/PO15 | CTS1#/RTS1#/SS1#/CTX1/USB0_OVRCURA | | IRQ4 | |
| N5 | | | | | USB0_DM | | | |
| N6 | | | | | USB0_DP | | | |
| N7 | TRDATA3 | P55 | WAIT#/EDREQ0 | MTIOC4D/TMO3 | CRX1/ET0_EXOUT | | IRQ10 | |
| N8 | VSS | | | | | | | |
| N9 | UB | PC7 | A23/CS0# | MTIOC3A/MTCLKB/GTIOC3A-D/TMO2/TOC0/PO31/CACREF | TXD8/MISOA-A/ET0_COL | MMC_D7-A | IRQ14 | |
| N10 | TRSYNC | P82 | EDREQ1 | MTIOC4A/GTIOC2A-D/PO28 | TXD10/ET0_ETXD1/RMII0_TXD1 | MMC_D4-A | | |
| N11 | | PC3 | A19 | MTIOC4D/GTIOC1B-D/TCLKB/PO24 | TXD5/SMOSI5/SSDA5/ET0_TX_ER | MMC_D0-A/SDHI_D0-A/QIO0-A/QMO-A | | |
| N12 | | P75 | CS5# | PO20 | SCK11/RTS11#/ET0_ERXD0/RMII0_RXD0 | MMC_RES#-A/SDHI_D2-A | | |
| N13 | | P74 | A20/CS4# | PO19 | CTS11#/ET0_ERXD1/RMII0_RXD1 | | | |

Note 1. The BCLK function is multiplexed with the I/O port function for pin P53, so the port function is not available if the external bus is enabled.

Table 1.8 List of Pin and Pin Functions (144-Pin LQFP) (1/5)

| Pin Number | Power Supply Clock System Control | I/O Port | Bus EXDMAC SDRAMC | Timer (MTU, GPT, TPU, TMR, PPG, RTC, CMTW, POE, CAC) | Communication (ETHERC, SC1g, SC1h, RSPI, RIIC, CAN, USB, SSI) | Memory Interface Camera Interface (QSPI, SDHI, MMCIF, PDC) | Interrupt | S12ADC, R12DA |
|------------|---|----------|-------------------------|---|--|---|-----------|------------------|
| 1 | AVSS0 | | | | | | | |
| 2 | | P05 | | | | | IRQ13 | DA1 |
| 3 | AVCC1 | | | | | | | |
| 4 | | P03 | | | | | IRQ11 | DA0 |
| 5 | AVSS1 | | | | | | | |
| 6 | | P02 | | TMCI1 | SCK6 | | IRQ10 | AN120 |
| 7 | | P01 | | TMCI0 | RXD6/SMISO6/SSCL6 | | IRQ9 | AN119 |
| 8 | | P00 | | TMRI0 | TXD6/SMOSI6/SSDA6 | | IRQ8 | AN118 |
| 9 | | PF5 | | | | | IRQ4 | |
| 10 | EMLE | | | | | | | |
| 11 | | PJ5 | | POE8# | CTS2#/RTS2#/SS2# | | | |
| 12 | VSS | | | | | | | |
| 13 | | PJ3 | EDACK1 | MTIOC3C | ET0_EXOUT/CTS6#/ RTS6#/CTS0#/RTS0#/ SS6#/SS0# | | | |
| 14 | VCL | | | | | | | |
| 15 | VBATT | | | | | | | |
| 16 | MD/FINED | | | | | | | |
| 17 | XCIN | | | | | | | |
| 18 | XCOUT | | | | | | | |
| 19 | RES | | | | | | | |
| 20 | XTAL | P37 | | | | | | |
| 21 | VSS | | | | | | | |
| 22 | EXTAL | P36 | | | | | | |
| 23 | VCC | | | | | | | |
| 24 | | P35 | | | | | NMI | |
| 25 | TRST# | P34 | | MTIOC0A/TMCI3/ PO12/POE10# | SCK6/SCK0/ ET0_LINKSTA | | IRQ4 | |
| 26 | | P33 | EDREQ1 | MTIOC0D/TIOC0D/ TMRI3/PO11/POE4#/ POE11# | RXD6/RXD0/SMISO6/ SMISO0/SSCL6/ SSCL0/CRX0 | PCKO | IRQ3-DS | |
| 27 | | P32 | | MTIOC0C/TIOCC0/ TMO3/PO10/ RTCOUT/RTCIC2/ POE0#/POE10# | TXD6/TXD0/SMOSI6/ SMOSI0/SSDA6/ SSDA0/CTX0/ USB0_VBUSEN | VSYNC | IRQ2-DS | |
| 28 | TMS | P31 | | MTIOC4D/TMCI2/ PO9/RTCIC1 | CTS1#/RTS1#/SS1# | | IRQ1-DS | |
| 29 | TDI | P30 | | MTIOC4B/TMRI3/ PO8/RTCIC0/POE8# | RXD1/SMISO1/SSCL1 | | IRQ0-DS | |
| 30 | TCK | P27 | CS7# | MTIOC2B/TMCI3/PO7 | SCK1 | | | |
| 31 | TDO | P26 | CS6# | MTIOC2A/TMO1/PO6 | TXD1/CTS3#/RTS3#/ SMOSI1/SS3#/SSDA1 | | | |
| 32 | | P25 | CS5#/ EDACK1 | MTIOC4C/MTCLKB/ TIOCA4/PO5 | RXD3/SMISO3/ SSCL3/SSIDATA1 | HSYNC | | ADTRG0# |
| 33 | | P24 | CS4#/ EDREQ1 | MTIOC4A/MTCLKA/ TIOCB4/TMRI1/PO4 | SCK3/ USB0_VBUSEN/ SSISCK1 | PIXCLK | | |
| 34 | | P23 | EDACK0 | MTIOC3D/MTCLKD/ GTIOC0A-B/TIOC0D3/ PO3 | TXD3/CTS0#/RTS0#/ SMOSI3/SS0#/ SSDA3/SSISCK0 | PIXD7 | | |
| 35 | | P22 | EDREQ0 | MTIOC3B/MTCLKC/ GTIOC1A-B/TIOCC3/ TMO0/PO2 | SCK0/ USB0_OVRCURB/ AUDIO_MCLK | PIXD6 | | |

Table 1.8 List of Pin and Pin Functions (144-Pin LFQFP) (2/5)

| Pin Number | Power Supply Clock System Control | I/O Port | Bus EXDMAC SDRAMC | Timer (MTU, GPT, TPU, TMR, PPG, RTC, CMTW, POE, CAC) | Communication (ETHERC, SC1g, SC1h, RSPI, RIIC, CAN, USB, SSI) | Memory Interface Camera Interface (QSPI, SDHI, MMCIF, PDC) | Interrupt | S12ADC, R12DA |
|------------|-----------------------------------|----------|---------------------|--|--|--|-----------|---------------|
| 36 | | P21 | | MTIOC1B/MTIOC4A/ GTIOC2A-B/TIOCA3/ TMCI0/PO1 | RXD0/SMISO0/ SSCL0/ USB0_EXICEN/ SSIWS0 | PIXD5 | IRQ9 | |
| 37 | | P20 | | MTIOC1A/TIOCB3/ TMRI0/PO0 | TXD0/SMOSI0/ SSDA0/USB0_ID/ SSIRXD0 | PIXD4 | IRQ8 | |
| 38 | | P17 | | MTIOC3A/MTIOC3B/ MTIOC4B/ GTIOC0B-B/TIOCB0/ TCLKD/TMO1/PO15/ POE8# | SCK1/TXD3/SMOSI3/ SSDA3/SDA2-DS/ SSITXD0 | PIXD3 | IRQ7 | ADTRG1# |
| 39 | | P87 | | MTIOC4C/ GTIOC1B-B/TIOCA2 | TXD10 | PIXD2 | | |
| 40 | | P16 | | MTIOC3C/MTIOC3D/ TIOCB1/TCLKC/ TMO2/PO14/ RTCOUT | TXD1/RXD3/SMOSI1/ SMISO3/SSDA1/ SSCL3/SCL2-DS/ USB0_VBUS/ USB0_VBUSEN/ USB0_OVRCURB | | IRQ6 | ADTRG0# |
| 41 | | P86 | | MTIOC4D/ GTIOC2B-B/TIOCA0 | RXD10 | PIXD1 | | |
| 42 | | P15 | | MTIOC0B/MTCLKB/ GTETR-G/TIOCB2/ TCLKB/TMCI2/PO13 | RXD1/SCK3/SMISO1/ SSCL1/CRX1-DS/ SSIWS1 | PIXD0 | IRQ5 | |
| 43 | | P14 | | MTIOC3A/MTCLKA/ TIOCB5/TCLKA/ TMRI2/PO15 | CTS1#/RTS1#/SS1#/ CTX1/ USB0_OVRCURA | | IRQ4 | |
| 44 | | P13 | | MTIOC0B/TIOCA5/ TMO3/PO13 | TXD2/SMOSI2/ SSDA2/SDA0[FM+] | | IRQ3 | ADTRG1# |
| 45 | | P12 | | TMCI1 | RXD2/SMISO2/ SSCL2/SCL0[FM+] | | IRQ2 | |
| 46 | VCC_USB | | | | | | | |
| 47 | | | | | USB0_DM | | | |
| 48 | | | | | USB0_DP | | | |
| 49 | VSS_USB | | | | | | | |
| 50 | | P56 | EDACK1 | MTIOC3C/TIOCA1 | | | | |
| 51 | TRDATA3 | P55 | WAIT#/ EDREQ0 | MTIOC4D/TMO3 | CRX1/ET0_EXOUT | | IRQ10 | |
| 52 | TRDATA2 | P54 | ALE/EDACK0 | MTIOC4B/TMCI1 | CTS2#/RTS2#/SS2#/ CTX1/ET0_LINKSTA | | | |
| 53 | | P53*1 | BCLK | | | | | |
| 54 | | P52 | RD# | | RXD2/SMISO2/SSCL2 | | | |
| 55 | | P51 | WR1#/BC1#/ WAIT# | | SCK2 | | | |
| 56 | | P50 | WR0#/WR# | | TXD2/SMOSI2/SSDA2 | | | |
| 57 | VSS | | | | | | | |
| 58 | TRCLK | P83 | EDACK1 | MTIOC4C/ GTIOC0A-D | CTS10#/ET0_CRS/ RMII0_CRS_DV/ SCK10 | | | |
| 59 | VCC | | | | | | | |
| 60 | UB | PC7 | A23/CS0# | MTIOC3A/MTCLKB/ GTIOC3A-D/TMO2/ TOC0/PO31/CACREF | TXD8/MISOA-A/ ET0_COL | MMC_D7-A | IRQ14 | |
| 61 | | PC6 | A22/CS1# | MTIOC3C/MTCLKA/ GTIOC3B-D/TMCI2/ TIC0/PO30 | RXD8/MOSIA-A/ ET0_ETXD3 | MMC_D6-A | IRQ13 | |
| 62 | | PC5 | A21/CS2#/ WAIT# | MTIOC3B/MTCLKD/ GTIOC1A-D/TMRI2/ PO29 | SCK8/RSPCKA-A/ RTS8#/ET0_ETXD2 | MMC_D5-A | | |

Table 1.8 List of Pin and Pin Functions (144-Pin LQFP) (3/5)

| Pin Number | Power Supply Clock System Control | I/O Port | Bus EXDMAC SDRAMC | Timer (MTU, GPT, TPU, TMR, PPG, RTC, CMTW, POE, CAC) | Communication (ETHERC, SC1g, SC1h, RSPI, RIIC, CAN, USB, SSI) | Memory Interface Camera Interface (QSPI, SDHI, MMCIF, PDC) | Interrupt | S12ADC, R12DA |
|------------|-----------------------------------|----------|-------------------|--|--|--|-----------|---------------|
| 63 | TRSYNC | P82 | EDREQ1 | MTIOC4A/ GTIOC2A-D/PO28 | TXD10/ET0_ETXD1/ RMII0_TXD1 | MMC_D4-A | | |
| 64 | TRDATA1 | P81 | EDACK0 | MTIOC3D/ GTIOC0B-D/PO27 | RXD10/ET0_ETXD0/ RMII0_TXD0 | MMC_D3-A/ SDHI_CD-A/ QIO3-A | | |
| 65 | TRDATA0 | P80 | EDREQ0 | MTIOC3B/PO26 | SCK10/RTS10#/ ET0_TX_EN/ RMII0_TXD_EN | MMC_D2-A/ SDHI_WP-A/ QIO2-A | | |
| 66 | | PC4 | A20/CS3# | MTIOC3D/MTCLKC/ GTETR-D/TMCI1/ PO25/POE0# | SCK5/CTS8#/ SSLA0-A/ ET0_TX_CLK/ | MMC_D1-A/ SDHI_D1-A/ QIO1-A/QMI-A | | |
| 67 | | PC3 | A19 | MTIOC4D/ GTIOC1B-D/TCLKB/ PO24 | TXD5/SMOSI5/ SSDA5/ET0_TX_ER | MMC_D0-A/ SDHI_D0-A/ QIO0-A/ QMO-A | | |
| 68 | | P77 | CS7# | PO23 | TXD11/ET0_RX_ER/ RMII0_RX_ER | MMC_CLK-A/ SDHI_CLK-A/ QSPCLK-A | | |
| 69 | | P76 | CS6# | PO22 | RXD11/ET0_RX_CLK/ REF50CK0 | MMC_CMD-A/ SDHI_CMD-A/ QSSL-A | | |
| 70 | | PC2 | A18 | MTIOC4B/ GTIOC2B-D/TCLKA/ PO21 | RXD5/SMISO5/ SSCL5/SSLA3-A/ ET0_RX_DV | MMC_CD-A/ SDHI_D3-A | | |
| 71 | | P75 | CS5# | PO20 | SCK11/RTS11/ ET0_ERXD0/ RMII0_RXD0 | MMC_RES#-A/ SDHI_D2-A | | |
| 72 | | P74 | A20/CS4# | PO19 | CTS11#/ET0_ERXD1/ RMII0_RXD1 | | | |
| 73 | | PC1 | A17 | MTIOC3A/TCLKD/ PO18 | SCK5/SSLA2-A/ ET0_ERXD2 | | IRQ12 | |
| 74 | VCC | | | | | | | |
| 75 | | PC0 | A16 | MTIOC3C/TCLKC/ PO17 | CTS5#/RTS5#/SS5#/ SSLA1-A/ET0_ERXD3 | | IRQ14 | |
| 76 | VSS | | | | | | | |
| 77 | | P73 | CS3# | PO16 | ET0_WOL | | | |
| 78 | | PB7 | A15 | MTIOC3B/TIOCB5/ PO31 | TXD9/ET0_CRS/ RMII0_CRS_DV | | | |
| 79 | | PB6 | A14 | MTIOC3D/TIOCA5/ PO30 | RXD9/ET0_ETXD1/ RMII0_TXD1 | | | |
| 80 | | PB5 | A13 | MTIOC2A/MTIOC1B/ TIOCB4/TMRI1/PO29/ POE4# | SCK9/RTS9#/ ET0_ETXD0/ RMII0_TXD0 | | | |
| 81 | | PB4 | A12 | TIOCA4/PO28 | CTS9#/ET0_TX_EN/ RMII0_TXD_EN | | | |
| 82 | | PB3 | A11 | MTIOC0A/MTIOC4A/ TIOC3/TCLKD/ TMO0/PO27/POE11# | SCK4/SCK6/ ET0_RX_ER/ RMII0_RX_ER | | | |
| 83 | | PB2 | A10 | TIOCC3/TCLKC/ PO26 | CTS4#/RTS4#/CTS6#/ RTS6#/SS4#/SS6#/ ET0_RX_CLK/ REF50CK0 | | | |
| 84 | | PB1 | A9 | MTIOC0C/MTIOC4C/ TIOCB3/TMCI0/PO25 | TXD4/TXD6/SMOSI4/ SMOSI6/SSDA4/ SSDA6/ET0_ERXD0/ RMII0_RXD0 | | IRQ4-DS | |
| 85 | | P72 | A19/CS2# | | ET0_MDC | | | |
| 86 | | P71 | A18/CS1# | | ET0_MDIO | | | |

Table 1.8 List of Pin and Pin Functions (144-Pin LQFP) (4/5)

| Pin Number | Power Supply Clock System Control | I/O Port | Bus EXDMAC SDRAMC | Timer (MTU, GPT, TPU, TMR, PPG, RTC, CMTW, POE, CAC) | Communication (ETHERC, SC1g, SC1h, RSPI, RIIC, CAN, USB, SSI) | Memory Interface Camera Interface (QSPI, SDHI, MMCIF, PDC) | Interrupt | S12ADC, R12DA |
|------------|-----------------------------------|----------|-------------------|--|---|--|-----------|---------------|
| 87 | | PB0 | A8 | MTIC5W/TIOCA3/PO24 | RXD4/RXD6/SMISO4/SMISO6/SSCL4/SSCL6/ET0_ERXD1/RMII0_RXD1 | | IRQ12 | |
| 88 | | PA7 | A7 | TIOCB2/PO23 | MISOA-B/ET0_WOL | | | |
| 89 | | PA6 | A6 | MTIC5V/MTCLKB/GTETR-C/TIOCA2/TMC13/PO22/POE10# | CTS5#/RTS5#/SS5#/MOSIA-B/ET0_EXOUT | | | |
| 90 | | PA5 | A5 | MTIOC6B/TIOCB1/GTIOC0A-C/PO21 | RSPCKA-B/ET0_LINKSTA | | | |
| 91 | VCC | | | | | | | |
| 92 | | PA4 | A4 | MTIC5U/MTCLKA/TIOCA1/TMRI0/PO20 | TXD5/SMOSI5/SSDA5/SSLA0-B/ET0_MDC | | IRQ5-DS | |
| 93 | VSS | | | | | | | |
| 94 | | PA3 | A3 | MTIOC0D/MTCLKD/TIOC0D/TCLKB/PO19 | RXD5/SMISO5/SSCL5/ET0_MDIO | | IRQ6-DS | |
| 95 | | PA2 | A2 | MTIOC7A/GTIOC1A-C/PO18 | RXD5/SMISO5/SSCL5/SSLA3-B | | | |
| 96 | | PA1 | A1 | MTIOC0B/MTCLKC/MTIOC7B/GTIOC2A-C/TIOCB0/PO17 | SCK5/SSLA2-B/ET0_WOL | | IRQ11 | |
| 97 | | PA0 | A0/BC0# | MTIOC4A/MTIOC6D/GTIOC0B-C/TIOCA0/CACREF/PO16 | SSLA1-B/ET0_TX_EN/RMII0_TXD_EN | | | |
| 98 | | P67 | CS7#/DQM1 | MTIOC7C/GTIOC1B-C | CRX2 | | IRQ15 | |
| 99 | | P66 | CS6#/DQM0 | MTIOC7D/GTIOC2B-C | CTX2 | | | |
| 100 | | P65 | CS5#/CKE | | | | | |
| 101 | | PE7 | D15[A15/D15] | MTIOC6A/GTIOC3A-E/TOC1 | | MMC_RES#-B/SDHI_WP-B | IRQ7 | AN105 |
| 102 | | PE6 | D14[A14/D14] | MTIOC6C/GTIOC3B-E/TIC1 | | MMC_CD-B/SDHI_CD-B | IRQ6 | AN104 |
| 103 | VCC | | | | | | | |
| 104 | | P70 | SDCLK | | | | | |
| 105 | VSS | | | | | | | |
| 106 | | PE5 | D13[A13/D13] | MTIOC4C/MTIOC2B/GTIOC0A-A | ET0_RX_CLK/REF50CK0 | | IRQ5 | AN103 |
| 107 | | PE4 | D12[A12/D12] | MTIOC4D/MTIOC1A/GTIOC1A-A/PO28 | ET0_ERXD2 | | | AN102 |
| 108 | | PE3 | D11[A11/D11] | MTIOC4B/GTIOC2A-A/PO26/POE8#/TOC3 | CTS12#/RTS12#/SS12#/ET0_ERXD3/ | MMC_D7-B | | AN101 |
| 109 | | PE2 | D10[A10/D10] | MTIOC4A/GTIOC0B-A/PO23/TIC3 | RXD12/SMISO12/SSCL12/RXD12/ | MMC_D6-B | IRQ7-DS | AN100 |
| 110 | | PE1 | D9[A9/D9] | MTIOC4C/MTIOC3B/GTIOC1B-A/PO18 | TXD12/SMOSI12/SSDA12/TXD12/SIOX12 | MMC_D5-B | | ANEX1 |
| 111 | | PE0 | D8[A8/D8] | MTIOC3D/GTIOC2B-A | SCK12 | MMC_D4-B | | ANEX0 |
| 112 | | P64 | CS4#/WE# | | | | | |
| 113 | | P63 | CS3#/CAS# | | | | | |
| 114 | | P62 | CS2#/RAS# | | | | | |
| 115 | | P61 | CS1#/SDCS# | | | | | |
| 116 | VSS | | | | | | | |

Table 1.8 List of Pin and Pin Functions (144-Pin LQFP) (5/5)

| Pin Number | Power Supply Clock System Control | I/O Port | Bus EXDMAC SDRAMC | Timer (MTU, GPT, TPU, TMR, PPG, RTC, CMTW, POE, CAC) | Communication (ETHERC, SC1g, SC1h, RSPI, RIIC, CAN, USB, SSI) | Memory Interface Camera Interface (QSPI, SDHI, MMCIF, PDC) | Interrupt | S12ADC, R12DA |
|------------|---|----------|-------------------------|---|--|---|--------------|------------------|
| 117 | | P60 | CS0# | | | | | |
| 118 | VCC | | | | | | | |
| 119 | | PD7 | D7[A7/D7] | MTIC5U/POE0# | | MMC_D1-B/ SDHI_D1-B/ QIO1-B/QMI-B | IRQ7 | AN107 |
| 120 | | PD6 | D6[A6/D6] | MTIC5V/MTIOC8A/ POE4# | | MMC_D0-B/ SDHI_D0-B/ QIO0-B/QMO- B | IRQ6 | AN106 |
| 121 | | PD5 | D5[A5/D5] | MTIC5W/MTIOC8C/ POE10# | | MMC_CLK-B/ SDHI_CLK-B/ QSPCLK-B | IRQ5 | AN113 |
| 122 | | PD4 | D4[A4/D4] | MTIOC8B/POE11# | | MMC_CMD-B/ SDHI_CMD-B/ QSSL-B | IRQ4 | AN112 |
| 123 | | PD3 | D3[A3/D3] | MTIOC8D/ GTIOC0A-E/POE8#/ TOC2 | | MMC_D3-B/ SDHI_D3-B/ QIO3-B | IRQ3 | AN111 |
| 124 | | PD2 | D2[A2/D2] | MTIOC4D/ GTIOC0B-E/TIC2 | CRX0 | MMC_D2-B/ SDHI_D2-B/ QIO2-B | IRQ2 | AN110 |
| 125 | | PD1 | D1[A1/D1] | MTIOC4B/ GTIOC1A-E/POE0# | CTX0 | | IRQ1 | AN109 |
| 126 | | PD0 | D0[A0/D0] | GTIOC1B-E/POE4# | | | IRQ0 | AN108 |
| 127 | | P93 | A19 | POE0# | CTS7#/RTS7#/SS7# | | | AN117 |
| 128 | | P92 | A18 | POE4# | RXD7/SMISO7/SSCL7 | | | AN116 |
| 129 | | P91 | A17 | | SCK7 | | | AN115 |
| 130 | VSS | | | | | | | |
| 131 | | P90 | A16 | | TXD7/SMOSI7/SSDA7 | | | AN114 |
| 132 | VCC | | | | | | | |
| 133 | | P47 | | | | | IRQ15- DS | AN007 |
| 134 | | P46 | | | | | IRQ14- DS | AN006 |
| 135 | | P45 | | | | | IRQ13- DS | AN005 |
| 136 | | P44 | | | | | IRQ12- DS | AN004 |
| 137 | | P43 | | | | | IRQ11-DS | AN003 |
| 138 | | P42 | | | | | IRQ10- DS | AN002 |
| 139 | | P41 | | | | | IRQ9-DS | AN001 |
| 140 | VREFL0 | | | | | | | |
| 141 | | P40 | | | | | IRQ8-DS | AN000 |
| 142 | VREFH0 | | | | | | | |
| 143 | AVCC0 | | | | | | | |
| 144 | | P07 | | | | | IRQ15 | ADTRG0# |

Note 1. The BCLK function is multiplexed with the I/O port function for pin P53, so the port function is not available if the external bus is enabled.

Table 1.9 List of Pin and Pin Functions (100-Pin TFLGA) (1/4)

| Pin Number | Power Supply Clock System Control | I/O Port | Bus EXDMAC SDRAMC | Timer (MTU, GPT, TPU, TMR, PPG, RTC, CMTW, POE, CAC) | Communication (ETHERC, SCIG, SCIH, RSPI, RIIC, CAN, USB, SSI) | Memory Interface Camera Interface (QSPI, SDHI, MMCIF, PDC) | Interrupt | S12ADC, R12DA |
|------------|-----------------------------------|----------|-------------------|--|---|--|-----------|---------------|
| A1 | P05 | | | | | | IRQ13 | DA1 |
| A2 | AVCC1 | | | | | | | |
| A3 | | P07 | | | | | IRQ15 | ADTRG0# |
| A4 | VREFL0 | | | | | | | |
| A5 | | P43 | | | | | IRQ11-DS | AN003 |
| A6 | | PD0 | D0[A0/D0] | GTIOC1B-E/POE4# | | | IRQ0 | AN108 |
| A7 | | PD4 | D4[A4/D4] | MTIOC8B/POE11# | | MMC_CMD-B/ SDHI_CMD-B/ QSSL-B | IRQ4 | AN112 |
| A8 | | PE0 | D8[A8/D8] | MTIOC3D/GTIOC2B-A | SCK12 | MMC_D4-B | | ANEX0 |
| A9 | | PE1 | D9[A9/D9] | MTIOC4C/MTIOC3B/ GTIOC1B-A/PO18 | TXD12/SMOSI12/ SSDA12/TXD12/ SIOX12 | MMC_D5-B | | ANEX1 |
| A10 | | PE2 | D10[A10/ D10] | MTIOC4A/GTIOC0B- A/PO23/TIC3 | RXD12/SMISO12/ SSCL12/RXD12 | MMC_D6-B | IRQ7-DS | AN100 |
| B1 | EMLE | | | | | | | |
| B2 | AVSS0 | | | | | | | |
| B3 | AVCC0 | | | | | | | |
| B4 | | P40 | | | | | IRQ8-DS | AN000 |
| B5 | | P44 | | | | | IRQ12-DS | AN004 |
| B6 | | PD1 | D1[A1/D1] | MTIOC4B/GTIOC1A- E/POE0# | CTX0 | | IRQ1 | AN109 |
| B7 | | PD3 | D3[A3/D3] | MTIOC8D/GTIOC0A- E/POE8#/TOC2 | | MMC_D3-B/ SDHI_D3-B/ QIO3-B | IRQ3 | AN111 |
| B8 | | PD6 | D6[A6/D6] | MTIC5V/MTIOC8A/ POE4# | | MMC_D0-B/ SDHI_D0-B/ QIO0-B/QMO-B | IRQ6 | AN106 |
| B9 | | PD7 | D7[A7/D7] | MTIC5U/POE0# | | MMC_D1-B/ SDHI_D1-B/ QIO1/QMI-B | IRQ7 | AN107 |
| B10 | | PE3 | D11[A11/ D11] | MTIOC4B/GTIOC2A- A/PO26/POE8#/TOC3 | CTS12#/RTS12#/ SS12#/ET0_ERXD3 | MMC_D7-B | | AN101 |
| C1 | VCL | | | | | | | |
| C2 | AVSS1 | | | | | | | |
| C3 | | PJ3 | EDACK1 | MTIOC3C | ET0_EXOUT/CTS6#/ RTS6#/CTS0#/RTS0#/ SS6#/SS0# | | | |
| C4 | VREFH0 | | | | | | | |
| C5 | | P42 | | | | | IRQ10-DS | AN002 |
| C6 | | P47 | | | | | IRQ15-DS | AN007 |
| C7 | | PD2 | D2[A2/D2] | MTIOC4D/GTIOC0B- E/TIC2 | CRX0 | MMC_D2-B/ SDHI_D2-B/ QIO2-B | IRQ2 | AN110 |

Table 1.9 List of Pin and Pin Functions (100-Pin TFLGA) (2/4)

| Pin Number | Power Supply Clock System Control | I/O Port | Bus EXDMAC SDRAMC | Timer (MTU, GPT, TPU, TMR, PPG, RTC, CMTW, POE, CAC) | Communication (ETHERC, SCIG, SCIH, RSPI, RIIC, CAN, USB, SSI) | Memory Interface Camera Interface (QSPI, SDHI, MMCIF, PDC) | Interrupt | S12ADC, R12DA |
|------------|-----------------------------------|----------|-------------------|--|--|--|--------------|---------------|
| C8 | | PD5 | D5[A5/D5] | MTIC5W/MTIOC8C/POE10# | | MMC_CLK-B/ SDHI_CLK-B/ QSPCLK-B | IRQ5 | AN113 |
| C9 | | PE5 | D13[A13/ D13] | MTIOC4C/MTIOC2B/ GTIOC0A-A | ET0_RX_CLK/ REF50CK0 | | IRQ5 | AN103 |
| C10 | | PE4 | D12[A12/ D12] | MTIOC4D/MTIOC1A/ GTIOC1A-A/PO28 | ET0_ERXD2 | | | AN102 |
| D1 | XCIN | | | | | | | |
| D2 | XCOU | | | | | | | |
| D3 | MD/FINED | | | | | | | |
| D4 | VBATT | | | | | | | |
| D5 | | P45 | | | | | IRQ13- DS | AN005 |
| D6 | | P46 | | | | | IRQ14- DS | AN006 |
| D7 | | PE6 | D14[A14/ D14] | MTIOC6C/GTIOC3B- E/TIC1 | | MMC_CD-B/ SDHI_CD-B | IRQ6 | AN104 |
| D8 | | PE7 | D15[A15/ D15] | MTIOC6A/GTIOC3A- E/TOC1 | | MMC_RES#-B/ SDHI_WP-B | IRQ7 | AN105 |
| D9 | | PA1 | A1 | MTIOC0B/MTCLKC/ MTIOC7B/GTIOC2A- C/TIOC0B/PO17 | SCK5/SSLA2-B/ ET0_WOL | | IRQ11 | |
| D10 | | PA0 | A0/BC0# | MTIOC4A/MTIOC6D/ GTIOC0B-C/TIOCA0/ CACREF/PO16 | SSLA1-B/ ET0_TX_EN/ RMII0_TXD_EN | | | |
| E1 | XTAL | P37 | | | | | | |
| E2 | VSS | | | | | | | |
| E3 | RES# | | | | | | | |
| E4 | TRST# | P34 | | MTIOC0A/TMCI3/ PO12/POE10# | SCK6/SCK0/ ET0_LINKSTA | | IRQ4 | |
| E5 | | P41 | | | | | IRQ9-DS | AN001 |
| E6 | | PA2 | A2 | MTIOC7A/GTIOC1A- C/PO18 | RXD5/SMISO5/ SSCL5/SSLA3-B | | | |
| E7 | | PA6 | A6 | MTIC5V/MTCLKB/ GTETRIG-C/TIOCA2/ TMCI3/PO22/POE10# | CTS5#/RTS5#/SS5#/ MOSIA-B/ ET0_EXOUT | | | |
| E8 | | PA4 | A4 | MTIC5U/MTCLKA/ TIOCA1/TMRI0/PO20 | TXD5/SMOSI5/ SSDA5/SSLA0-B/ ET0_MDC | | IRQ5-DS | |
| E9 | | PA5 | A5 | MTIOC6B/TIOC0B1/ GTIOC0A-C/PO21 | RSPCKA-B/ ET0_LINKSTA | | | |
| E10 | | PA3 | A3 | MTIOC0D/MTCLKD/ TIOC0D/TCLKB/PO19 | RXD5/SMISO5/ SSCL5/ET0_MDIO | | IRQ6-DS | |
| F1 | EXTAL | P36 | | | | | | |
| F2 | VCC | | | | | | | |
| F3 | UPSEL | P35 | | | | | NMI | |
| F4 | | P32 | | MTIOC0C/TIOCC0/ TMO3/PO10/ RTCOU/RTCIC2/ POE0#/POE10# | TXD6/TXD0/SMOSI6/ SMOSI0/SSDA6/ SSDA0/CTX0/ USB0_VBUSEN | | IRQ2-DS | |
| F5 | | P12 | | TMCI1 | RXD2/SMISO2/ SSCL2/SCL0[FM+] | | IRQ2 | |

Table 1.9 List of Pin and Pin Functions (100-Pin TFLGA) (3/4)

| Pin Number | Power Supply Clock System Control | I/O Port | Bus EXDMAC SDRAMC | Timer (MTU, GPT, TPU, TMR, PPG, RTC, CMTW, POE, CAC) | Communication (ETHERC, SClg, SCih, RSPI, RIIC, CAN, USB, SSI) | Memory Interface Camera Interface (QSPI, SDHI, MMCIF, PDC) | Interrupt | S12ADC, R12DA |
|------------|-----------------------------------|----------|-------------------|---|--|--|-----------|---------------|
| F6 | | PB3 | A11 | MTIOC0A/MTIOC4A/ TIOC3/TCLKD/ TMO0/PO27/POE11# | SCK6/ET0_RX_ER/ RMII0_RX_ER | | | |
| F7 | | PB2 | A10 | TIOCC3/TCLKC/ PO26 | CTS6#/RTS6#SS6#/ ET0_RX_CLK/ REF50CK0 | | | |
| F8 | | PB0 | A8 | MTIC5W/TIOCA3/ PO24 | RXD6/SMISO6/ SSCL6/ET0_ERXD1/ RMII0_RXD1 | | IRQ12 | |
| F9 | | PA7 | A7 | TIOCB2/PO23 | MISOA-B/ET0_WOL | | | |
| F10 | VSS | | | | | | | |
| G1 | | P33 | EDREQ1 | MTIOC0D/TIOC0D/ TMRI3/PO11/POE4#/ POE11# | RXD6/RXD0/SMISO6/ SMISO0/SSCL6/ SSCL0/CRX0 | | IRQ3-DS | |
| G2 | TMS | P31 | | MTIOC4D/TMCI2/ PO9/RTIC1 | CTS1#/RTS1#/SS1# | | IRQ1-DS | |
| G3 | TDI | P30 | | MTIOC4B/TMRI3/ PO8/RTIC0/POE8# | RXD1/SMISO1/SSCL1 | | IRQ0-DS | |
| G4 | TCK | P27 | CS7# | MTIOC2B/TMCI3/PO7 | SCK1 | | | |
| G5 | | P53*1 | BCLK | | | | | |
| G6 | | P52 | RD# | | RXD2/SMISO2/SSCL2 | | | |
| G7 | | PB5 | A13 | MTIOC2A/MTIOC1B/ TIOCB4/TMRI1/PO29/ POE4# | SCK9/RTS9#/ ET0_ETXD0/ RMII0_TXD0 | | | |
| G8 | | PB4 | A12 | TIOCA4/PO28 | CTS9#/ET0_TX_EN/ RMII0_TXD_EN | | | |
| G9 | | PB1 | A9 | MTIOC0C/MTIOC4C/ TIOCB3/TMCI0/PO25 | TXD6/SMOSI6/ SSDA6/ET0_ERXD0/ RMII0_RXD0 | | IRQ4-DS | |
| G10 | VCC | | | | | | | |
| H1 | TDO | P26 | CS6# | MTIOC2A/TMO1/PO6 | TXD1/CTS3#/RTS3#/ SMOSI1/SS3#/SSDA1 | | | |
| H2 | | P25 | CS5#/ EDACK1 | MTIOC4C/MTCLKB/ TIOCA4/PO5 | RXD3/SMISO3/ SSCL3/SSIDATA1 | | | ADTRG0# |
| H3 | | P16 | | MTIOC3C/MTIOC3D/ TIOCB1/TCLKC/ TMO2/PO14/ RTCOUT | TXD1/RXD3/SMOSI1/ SMISO3/SSDA1/ SSCL3/SCL2-DS/ USB0_VBUS/ USB0_VBUSEN/ USB0_OVRCURB | | IRQ6 | ADTRG0# |
| H4 | | P15 | | MTIOC0B/MTCLKB/ GTETR-G/TIOCB2/ TCLKB/TMCI2/PO13 | RXD1/SCK3/SMISO1/ SSCL1/CRX1-DS/ SSIWS1 | | IRQ5 | |
| H5 | | P55 | WAIT#/ EDREQ0 | MTIOC4D/TMO3 | CRX1/ET0_EXOUT | | IRQ10 | |
| H6 | | P54 | ALE/ EDACK0 | MTIOC4B/TMCI1 | CTS2#/RTS2#/SS2#/ CTX1/ET0_LINKSTA | | | |
| H7 | UB | PC7 | A23/CS0# | MTIOC3A/MTCLKB/ GTIOC3A-D/TMO2/ TOC0/PO31/CACREF | TXD8/MISOA-A/ ET0_COL | | IRQ14 | |
| H8 | | PC6 | A22/CS1# | MTIOC3C/MTCLKA/ GTIOC3B-D/TMCI2/ TIC0/PO30 | RXD8/MOSIA-A/ ET0_ETXD3 | | IRQ13 | |

Table 1.9 List of Pin and Pin Functions (100-Pin TFLGA) (4/4)

| Pin Number | Power Supply Clock System Control | I/O Port | Bus EXDMAC SDRAMC | Timer (MTU, GPT, TPU, TMR, PPG, RTC, CMTW, POE, CAC) | Communication (ETHERC, SCIG, SCIH, RSPI, RIIC, CAN, USB, SSI) | Memory Interface Camera Interface (QSPI, SDHI, MMCIF, PDC) | Interrupt | S12ADC, R12DA |
|------------|-----------------------------------|----------|-------------------|--|---|--|-----------|---------------|
| H9 | | PB6 | A14 | MTIOC3D/TIOCA5/PO30 | RXD9/ET0_ETXD1/RMII0_TXD1 | | | |
| H10 | | PB7 | A15 | MTIOC3B/TIOCB5/PO31 | TXD9/ET0_CRS/RMII0_CRS_DV | | | |
| J1 | | P24 | CS4#/EDREQ1 | MTIOC4A/MTCLKA/TIOCB4/TMRI1/PO4 | SCK3/USB0_VBUSEN/SSISCK1 | | | |
| J2 | | P21 | | MTIOC1B/MTIOC4A/GTIOC2A-B/TIOCA3/TMCI0/PO1 | RXD0/SMISO0/SSCL0/USB0_EXICEN/SSIWS0 | | IRQ9 | |
| J3 | | P17 | | MTIOC3A/MTIOC3B/MTIOC4B/GTIOC0B-B/TIOCB0/TCLKD/TMO1/PO15/POE8# | SCK1/TXD3/SMOSI3/SSDA3/SDA2-DS/SSITXD0 | | IRQ7 | ADTRG1# |
| J4 | | P13 | | MTIOC0B/TIOCA5/TMO3/PO13 | TXD2/SMOSI2/SSDA2/SDA0[FM+] | | IRQ3 | ADTRG1# |
| J5 | VSS_USB | | | | | | | |
| J6 | VCC_USB | | | | | | | |
| J7 | | P50 | WR0#/WR# | | TXD2/SMOSI2/SSDA2 | | | |
| J8 | | PC4 | A20/CS3# | MTIOC3D/MTCLKC/GTETR-D/TMCI1/PO25/POE0# | SCK5/CTS8#/SSLA0-A/ET0_TX_CLK | | | |
| J9 | | PC0 | A16 | MTIOC3C/TCLKC/PO17 | CTS5#/RTS5#/SS5#/SSLA1-A/ET0_ERXD3 | | IRQ14 | |
| J10 | | PC1 | A17 | MTIOC3A/TCLKD/PO18 | SCK5/SSLA2-A/ET0_ERXD2 | | IRQ12 | |
| K1 | | P23 | EDACK0 | MTIOC3D/MTCLKD/GTIOC0A-B/TIOCD3/PO3 | TXD3/CTS0#/RTS0#/SMOSI3/SS0#/SSDA3/SSISCK0 | | | |
| K2 | | P22 | EDREQ0 | MTIOC3B/MTCLKC/GTIOC1A-B/TIOCC3/TMO0/PO2 | SCK0/USB0_OVRCURB/AUDIO_MCLK | | | |
| K3 | | P20 | | MTIOC1A/TIOCB3/TMRI0/PO0 | TXD0/SMOSI0/SSDA0/USB0_ID/SSIRXD0 | | IRQ8 | |
| K4 | | P14 | | MTIOC3A/MTCLKA/TIOCB5/TCLKA/TMRI2/PO15 | CTS1#/RTS1#/SS1#/CTX1/USB0_OVRCURA | | IRQ4 | |
| K5 | | | | | USB0_DM | | | |
| K6 | | | | | USB0_DP | | | |
| K7 | | P51 | WR1#/BC1#/WAIT# | | SCK2 | | | |
| K8 | | PC5 | A21/CS2#/WAIT# | MTIOC3B/MTCLKD/GTIOC1A-D/TMRI2/PO29 | SCK8/RSPCKA-A/RTS8#/ET0_ETXD2 | | | |
| K9 | | PC3 | A19 | MTIOC4D/GTIOC1B-D/TCLKB/PO24 | TXD5/SMOSI5/SSDA5/ET0_TX_ER | | | |
| K10 | | PC2 | A18 | MTIOC4B/GTIOC2B-D/TCLKA/PO21 | RXD5/SMISO5/SSCL5/SSLA3-A/ET0_RX_DV | | | |

Note 1. The BCLK function is multiplexed with the I/O port function for pin P53, so the port function is not available if the external bus is enabled.

Table 1.10 List of Pin and Pin Functions (100-Pin LQFP) (1/4)

| Pin Number | Power Supply Clock System Control | I/O Port | Bus EXDMAC | Timer (MTU, GPT, TPU, TMR, PPG, RTC, CMTW, POE, CAC) | Communication (ETHERC, SC1g, SC1h, RSPI, RIIC, CAN, USB, SSI) | Memory Interface Camera Interface (QSPI, SDHI, MMCIF, PDC) | Interrupt | S12ADC, R12DA |
|------------|-----------------------------------|----------|-----------------|--|--|--|-----------|---------------|
| 1 | AVCC1 | | | | | | | |
| 2 | EMLE | | | | | | | |
| 3 | AVSS1 | | | | | | | |
| 4 | | PJ3 | EDACK1 | MTIOC3C | ET0_EXOUT CTS6#/RTS6#/CTS0#/ RTS0#/SS6#/SS0# | | | |
| 5 | VCL | | | | | | | |
| 6 | VBATT | | | | | | | |
| 7 | MD/FINED | | | | | | | |
| 8 | XCIN | | | | | | | |
| 9 | XCOUT | | | | | | | |
| 10 | RES# | | | | | | | |
| 11 | XTAL | P37 | | | | | | |
| 12 | VSS | | | | | | | |
| 13 | EXTAL | P36 | | | | | | |
| 14 | VCC | | | | | | | |
| 15 | UPSEL | P35 | | | | | NMI | |
| 16 | TRST# | P34 | | MTIOC0A/TMCI3/ PO12/POE10# | SCK6/SCK0/ ET0_LINKSTA | | IRQ4 | |
| 17 | | P33 | EDREQ1 | MTIOC0D/TIOCD0/ TMR13/PO11/POE4#/ POE11# | RXD6/RXD0/SMISO6/ SMISO0/SSCL6/ SSCL0/CRX0 | | IRQ3-DS | |
| 18 | | P32 | | MTIOC0C/TIOCC0/ TMO3/PO10/ RTCOUT/RTCIC2/ POE0#/POE10# | TXD6/TXD0/SMOSI6/ SMOSI0/SSDA6/ SSDA0/CTX0/ USB0_VBUSEN | | IRQ2-DS | |
| 19 | TMS | P31 | | MTIOC4D/TMCI2/ PO9/RTCIC1 | CTS1#/RTS1#/SS1# | | IRQ1-DS | |
| 20 | TDI | P30 | | MTIOC4B/TMR13/ PO8/RTCIC0/POE8# | RXD1/SMISO1/SSCL1 | | IRQ0-DS | |
| 21 | TCK | P27 | CS7# | MTIOC2B/TMCI3/PO7 | SCK1 | | | |
| 22 | TDO | P26 | CS6# | MTIOC2A/TMO1/PO6 | TXD1/CTS3#/RTS3#/ SMOSI1/SS3#/SSDA1 | | | |
| 23 | | P25 | CS5#/ EDACK1 | MTIOC4C/MTCLKB/ TIOCA4/PO5 | RXD3/SMISO3/ SSCL3/SSIDATA1 | | | ADTRG0# |
| 24 | | P24 | CS4#/ EDREQ1 | MTIOC4A/MTCLKA/ TIOCB4/TMR11/PO4 | SCK3/ USB0_VBUSEN/ SSISCK1 | | | |
| 25 | | P23 | EDACK0 | MTIOC3D/MTCLKD/ GTIOC0A-B/TIOCD3/ PO3 | TXD3/CTS0#/RTS0#/ SMOSI3/SS0#/ SSDA3/SSISCK0 | | | |
| 26 | | P22 | EDREQ0 | MTIOC3B/MTCLKC/ GTIOC1A-B/TIOCC3/ TMO0/PO2 | SCK0/ USB0_OVRCURB/ AUDIO_MCLK | | | |
| 27 | | P21 | | MTIOC1B/MTIOC4A/ GTIOC2A-B/TIOCA3/ TMCI0/PO1 | RXD0/SMISO0/ SSCL0/ USB0_EXICEN/ SSIWS0 | | IRQ9 | |
| 28 | | P20 | | MTIOC1A/TIOCB3/ TMR10/PO0 | TXD0/SMOSI0/ SSDA0/USB0_ID/ SSIRXD0 | | IRQ8 | |
| 29 | | P17 | | MTIOC3A/MTIOC3B/ MTIOC4B/ GTIOC0B-B/TIOCB0/ TCLKD/TMO1/PO15/ POE8# | SCK1/TXD3/SMOSI3/ SSDA3/SDA2-DS/ SSITXD0 | | IRQ7 | ADTRG1# |

Table 1.10 List of Pin and Pin Functions (100-Pin LQFP) (2/4)

| Pin Number | Power Supply Clock System Control | I/O Port | Bus EXDMAC | Timer (MTU, GPT, TPU, TMR, PPG, RTC, CMTW, POE, CAC) | Communication (ETHERC, SClg, SCiH, RSPI, RIIC, CAN, USB, SSI) | Memory Interface Camera Interface (QSPI, SDHI, MMCIF, PDC) | Interrupt | S12ADC, R12DA |
|------------|-----------------------------------|----------|---------------------|---|--|--|-----------|---------------|
| 30 | | P16 | | MTIOC3C/MTIOC3D/ TIOCB1/TCLKC/ TMO2/PO14/ RTCOUT | TXD1/RXD3/SMOSI1/ SMISO3/SSDA1/ SSCL3/SCL2-DS/ USB0_VBUS/ USB0_VBUSEN/ USB0_OVRCURB | | IRQ6 | ADTRG0# |
| 31 | | P15 | | MTIOC0B/MTCLKB/ GTETR-B/TIOCB2/ TCLKB/TMCI2/PO13 | RXD1/SCK3/SMISO1/ SSCL1/CRX1-DS/ SSIWS1 | | IRQ5 | |
| 32 | | P14 | | MTIOC3A/MTCLKA/ TIOCB5/TCLKA/ TMRI2/PO15 | CTS1#/RTS1#/SS1#/ CTX1/ USB0_OVRCURA | | IRQ4 | |
| 33 | | P13 | | MTIOC0B/TIOCA5/ TMO3/PO13 | TXD2/SMOSI2/ SSDA2/SDA0[FM+] | | IRQ3 | ADTRG1# |
| 34 | | P12 | | TMCI1 | RXD2/SMISO2/ SSCL2/SCL0[FM+] | | IRQ2 | |
| 35 | VCC_USB | | | | | | | |
| 36 | | | | | USB0_DM | | | |
| 37 | | | | | USB0_DP | | | |
| 38 | VSS_USB | | | | | | | |
| 39 | | P55 | WAIT#/ EDREQ0 | MTIOC4D/TMO3 | CRX1/ET0_EXOUT | | IRQ10 | |
| 40 | | P54 | ALE/EDACK0 | MTIOC4B/TMCI1 | CTS2#/RTS2#/SS2#/ CTX1/ET0_LINKSTA | | | |
| 41 | | P53*1 | BCLK | | | | | |
| 42 | | P52 | RD# | | RXD2/SMISO2/SSCL2 | | | |
| 43 | | P51 | WR1#/BC1#/ WAIT# | | SCK2 | | | |
| 44 | | P50 | WR0#/WR# | | TXD2/SMOSI2/SSDA2 | | | |
| 45 | UB | PC7 | A23/CS0# | MTIOC3A/MTCLKB/ GTIOC3A-D/TMO2/ TOC0/PO31/CACREF | TXD8/MISOA-A/ ET0_COL | | IRQ14 | |
| 46 | | PC6 | A22/CS1# | MTIOC3C/MTCLKA/ GTIOC3B-D/TMCI2/ TIC0/PO30 | RXD8/MOSIA-A/ ET0_ETXD3 | | IRQ13 | |
| 47 | | PC5 | A21/CS2#/ WAIT# | MTIOC3B/MTCLKD/ GTIOC1A-D/TMRI2/ PO29 | SCK8/RSPCKA-A/ RTS8#/ET0_ETXD2 | | | |
| 48 | | PC4 | A20/CS3# | MTIOC3D/MTCLKC/ GTETR-D/TMCI1/ PO25/POE0# | SCK5/CTS8#/ SSLA0-A/ ET0_TX_CLK | | | |
| 49 | | PC3 | A19 | MTIOC4D/ GTIOC1B-D/TCLKB/ PO24 | TXD5/SMOSI5/ SSDA5/ET0_TX_ER | | | |
| 50 | | PC2 | A18 | MTIOC4B/ GTIOC2B-D/TCLKA/ PO21 | RXD5/SMISO5/ SSCL5/SSLA3-A/ ET0_RX_DV | | | |
| 51 | | PC1 | A17 | MTIOC3A/TCLKD/ PO18 | SCK5/SSLA2-A/ ET0_ERXD2 | | IRQ12 | |
| 52 | | PC0 | A16 | MTIOC3C/TCLKC/ PO17 | CTS5#/RTS5#/SS5#/ SSLA1-A/ET0_ERXD3 | | IRQ14 | |
| 53 | | PB7 | A15 | MTIOC3B/TIOCB5/ PO31 | TXD9/ET0_CRS/ RMII0_CRS_DV | | | |
| 54 | | PB6 | A14 | MTIOC3D/TIOCA5/ PO30 | RXD9/ET0_ETXD1/ RMII0_TXD1 | | | |
| 55 | | PB5 | A13 | MTIOC2A/MTIOC1B/ TIOCB4/TMRI1/PO29/ POE4# | SCK9/RTS9#/ ET0_ETXD0/ RMII0_TXD0 | | | |
| 56 | | PB4 | A12 | TIOCA4/PO28 | CTS9#/ET0_TX_EN/ RMII0_TXD_EN | | | |

Table 1.10 List of Pin and Pin Functions (100-Pin LQFP) (3/4)

| Pin Number | Power Supply Clock System Control | I/O Port | Bus EXDMAC | Timer (MTU, GPT, TPU, TMR, PPG, RTC, CMTW, POE, CAC) | Communication (ETHERC, SClg, SClh, RSPI, RIIC, CAN, USB, SSI) | Memory Interface Camera Interface (QSPI, SDHI, MMCIF, PDC) | Interrupt | S12ADC, R12DA |
|------------|-----------------------------------|----------|--------------|--|---|--|-----------|---------------|
| 57 | | PB3 | A11 | MTIOC0A/MTIOC4A/ TIOC3/TCLKD/ TMO0/PO27/POE11# | SCK6/ET0_RX_ER/ RMII0_RX_ER | | | |
| 58 | | PB2 | A10 | TIOC3/TCLKC/ PO26 | CTS6#/RTS6#SS6#/ ET0_RX_CLK/ REF50CK0 | | | |
| 59 | | PB1 | A9 | MTIOC0C/MTIOC4C/ TIOCB3/TMCI0/PO25 | TXD6/SMOSI6/ SSDA6/ET0_ERXD0/ RMII0_RXD0 | | IRQ4-DS | |
| 60 | VCC | | | | | | | |
| 61 | | PB0 | A8 | MTIC5W/TIOCA3/ PO24 | RXD6/SMISO6/ SSCL6/ET0_ERXD1/ RMII0_RXD1 | | IRQ12 | |
| 62 | VSS | | | | | | | |
| 63 | | PA7 | A7 | TIOCB2/PO23 | MISOA-B/ET0_WOL | | | |
| 64 | | PA6 | A6 | MTIC5V/MTCLKB/ GTETRG-C/TIOCA2/ TMCI3/PO22/POE10# | CTS5#/RTS5#/SS5#/ MOSIA-B/ ET0_EXOUT | | | |
| 65 | | PA5 | A5 | MTIOC6B/TIOCB1/ GTIOC0A-C/PO21 | RSPCKA-B/ ET0_LINKSTA | | | |
| 66 | | PA4 | A4 | MTIC5U/MTCLKA/ TIOCA1/TMRI0/PO20 | TXD5/SMOSI5/ SSDA5/SSLA0-B/ ET0_MDC | | IRQ5-DS | |
| 67 | | PA3 | A3 | MTIOC0D/MTCLKD/ TIOC0D/TCLKB/PO19 | RXD5/SMISO5/ SSCL5/ET0_MDIO | | IRQ6-DS | |
| 68 | | PA2 | A2 | MTIOC7A/ GTIOC1A-C/PO18 | RXD5/SMISO5/ SSCL5/SSLA3-B | | | |
| 69 | | PA1 | A1 | MTIOC0B/MTCLKC/ MTIOC7B/ GTIOC2A-C/TIOCB0/ PO17 | SCK5/SSLA2-B/ ET0_WOL | | IRQ11 | |
| 70 | | PA0 | A0/BC0# | MTIOC4A/MTIOC6D/ GTIOC0B-C/TIOCA0/ CACREF/PO16 | SSLA1-B/ ET0_TX_EN/ RMII0_TXD_EN | | | |
| 71 | | PE7 | D15[A15/D15] | MTIOC6A/ GTIOC3A-E/TOC1 | | MMC_RES#-B/ SDHI_WP-B | IRQ7 | AN105 |
| 72 | | PE6 | D14[A14/D14] | MTIOC6C/GTIOC3B- E/TIC1 | | MMC_CD-B/ SDHI_CD-B | IRQ6 | AN104 |
| 73 | | PE5 | D13[A13/D13] | MTIOC4C/MTIOC2B/ GTIOC0A-A | ET0_RX_CLK/ REF50CK0 | | IRQ5 | AN103 |
| 74 | | PE4 | D12[A12/D12] | MTIOC4D/MTIOC1A/ GTIOC1A-A/PO28 | ET0_ERXD2 | | | AN102 |
| 75 | | PE3 | D11[A11/D11] | MTIOC4B/ GTIOC2A-A/PO26/ POE8#/TOC3 | CTS12#/RTS12#/ SS12#/ET0_ERXD3 | MMC_D7-B | | AN101 |
| 76 | | PE2 | D10[A10/D10] | MTIOC4A/ GTIOC0B-A/PO23/ TIC3 | RXD12/SMISO12/ SSCL12/RXD12 | MMC_D6-B | IRQ7-DS | AN100 |
| 77 | | PE1 | D9[A9/D9] | MTIOC4C/MTIOC3B/ GTIOC1B-A/PO18 | TXD12/SMOSI12/ SSDA12/TXD12/ SIOX12 | MMC_D5-B | | ANEX1 |
| 78 | | PE0 | D8[A8/D8] | MTIOC3D/ GTIOC2B-A | SCK12 | MMC_D4-B | | ANEX0 |
| 79 | | PD7 | D7[A7/D7] | MTIC5U/POE0# | | MMC_D1-B/ SDHI_D1-B/ QIO1-B/ QMI-B | IRQ7 | AN107 |
| 80 | | PD6 | D6[A6/D6] | MTIC5V/MTIOC8A/ POE4# | | MMC_D0-B/ SDHI_D0-B/ QIO0-B/ QMO-B | IRQ6 | AN106 |

Table 1.10 List of Pin and Pin Functions (100-Pin LQFP) (4/4)

| Pin Number | Power Supply Clock System Control | I/O Port | Bus EXDMAC | Timer (MTU, GPT, TPU, TMR, PPG, RTC, CMTW, POE, CAC) | Communication (ETHERC, SCIG, SCIH, RSPI, RIIC, CAN, USB, SSI) | Memory Interface Camera Interface (QSPI, SDHI, MMCIF, PDC) | Interrupt | S12ADC, R12DA |
|------------|-----------------------------------|----------|------------|--|---|--|-----------|---------------|
| 81 | | PD5 | D5[A5/D5] | MTIC5W/MTIOC8C/POE10# | | MMC_CLK-B/ SDHI_CLK-B/ QSPCLK-B | IRQ5 | AN113 |
| 82 | | PD4 | D4[A4/D4] | MTIOC8B/POE11# | | MMC_CMD-B/ SDHI_CMD-B/ QSSL-B | IRQ4 | AN112 |
| 83 | | PD3 | D3[A3/D3] | MTIOC8D/ GTIOC0A-E/POE8#/ TOC2 | | MMC_D3-B/ SDHI_D3-B/ QIO3-B | IRQ3 | AN111 |
| 84 | | PD2 | D2[A2/D2] | MTIOC4D/ GTIOC0B-E/TIC2 | CRX0 | MMC_D2-B/ SDHI_D2-B/ QIO2-B | IRQ2 | AN110 |
| 85 | | PD1 | D1[A1/D1] | MTIOC4B/ GTIOC1A-E/POE0# | CTX0 | | IRQ1 | AN109 |
| 86 | | PD0 | D0[A0/D0] | GTIOC1B-E/POE4# | | | IRQ0 | AN108 |
| 87 | | P47 | | | | | IRQ15-DS | AN007 |
| 88 | | P46 | | | | | IRQ14-DS | AN006 |
| 89 | | P45 | | | | | IRQ13-DS | AN005 |
| 90 | | P44 | | | | | IRQ12-DS | AN004 |
| 91 | | P43 | | | | | IRQ11-DS | AN003 |
| 92 | | P42 | | | | | IRQ10-DS | AN002 |
| 93 | | P41 | | | | | IRQ9-DS | AN001 |
| 94 | VREFL0 | | | | | | | |
| 95 | | P40 | | | | | IRQ8-DS | AN000 |
| 96 | VREFH0 | | | | | | | |
| 97 | AVCC0 | | | | | | | |
| 98 | | P07 | | | | | IRQ15 | ADTRG0# |
| 99 | AVSS0 | | | | | | | |
| 100 | P05 | | | | | | IRQ13 | DA1 |

Note 1. The BCLK function is multiplexed with the I/O port function for pin P53, so the port function is not available if the external bus is enabled.

2. CPU

Figure 2.1 shows register set of the CPU.

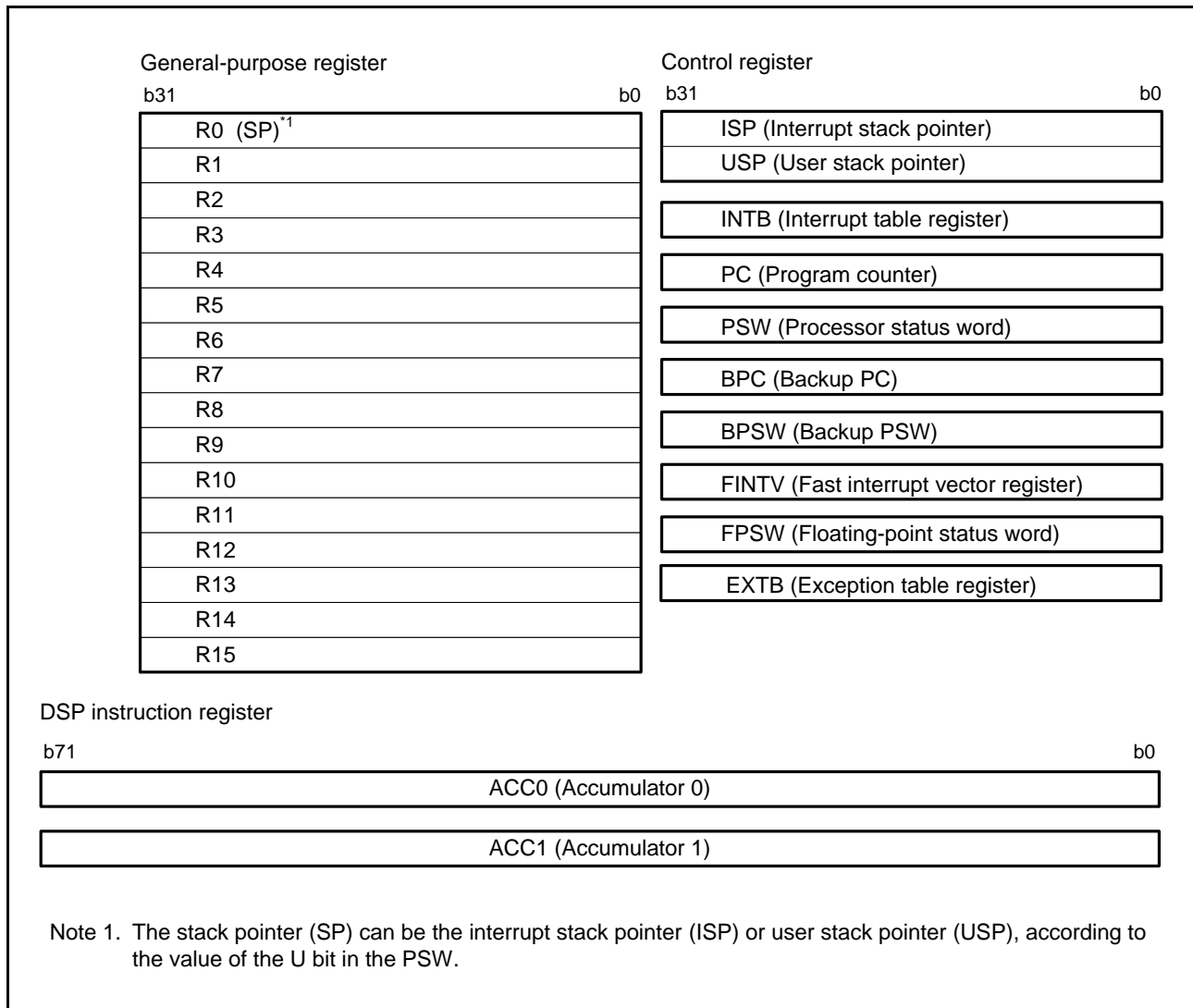


Figure 2.1 Register Set of the CPU

2.1 General-Purpose Registers (R0 to R15)

This CPU has sixteen 32-bit general-purpose registers (R0 to R15). R0 to R15 can be used as data registers or address registers.

R0, a general-purpose register, also functions as the stack pointer (SP).

The stack pointer is switched to operate as the interrupt stack pointer (ISP) or user stack pointer (USP) by the value of the stack pointer select bit (U) in the processor status word (PSW).

2.2 Control Registers

(1) Interrupt Stack Pointer (ISP) / User Stack Pointer (USP)

The stack pointer (SP) can be either of two types, the interrupt stack pointer (ISP) or the user stack pointer (USP). Whether the stack pointer operates as the ISP or USP depends on the value of the stack pointer select bit (U) in the processor status word (PSW).

(2) Exception Table Register (EXTB)

The exception table register (EXTB) specifies the address where the exception vector table starts.

(3) Interrupt Table Register (INTB)

The interrupt table register (INTB) specifies the address where the interrupt vector table starts.

(4) Program Counter (PC)

The program counter (PC) indicates the address of the instruction being executed.

(5) Processor Status Word (PSW)

The processor status word (PSW) indicates the results of instruction execution or the state of the CPU.

(6) Backup PC (BPC)

The backup PC (BPC) is provided to speed up response to interrupts.

After a fast interrupt has been generated, the contents of the program counter (PC) are saved in the BPC register.

(7) Backup PSW (BPSW)

The backup PSW (BPSW) is provided to speed up response to interrupts.

After a fast interrupt has been generated, the contents of the processor status word (PSW) are saved in the BPSW. The allocation of bits in the BPSW corresponds to that in the PSW.

(8) Fast Interrupt Vector Register (FINTV)

The fast interrupt vector register (FINTV) is provided to speed up response to interrupts.

The FINTV register specifies a branch destination address when a fast interrupt has been generated.

(9) Floating-Point Status Word (FPSW)

The floating-point status word (FPSW) indicates the results of floating-point operations.

When an exception handling enable bit (Ej) enables the exception handling (Ej = 1), the exception cause can be identified by checking the corresponding Cj flag in the exception handling routine. If the exception handling is masked (Ej = 0), the occurrence of exception can be checked by reading the Fj flag at the end of a series of processing. Once the Fj flag has been set to 1, this value is retained until it is cleared to 0 by software (j = X, U, Z, O, or V).

2.3 Accumulator

The accumulator (ACC0 or ACC1) is a 72-bit register used for DSP instructions. The accumulator is handled as a 96-bit register for reading and writing. At this time, when bits 95 to 72 of the accumulator are read, the value where the value of bit 71 is sign extended is read. Writing to bits 95 to 72 of the accumulator is ignored. ACC0 is also used for the multiply and multiply-and-accumulate instructions; EMUL, EMULU, FMUL, MUL, and RMPA, in which case the prior value in ACC0 is modified by execution of the instruction.

Use the MVTACGU, MVTACHI, and MVTACLO instructions for writing to the accumulator. The MVTACGU, MVTACHI, and MVTACLO instructions write data to bits 95 to 64, the higher-order 32 bits (bits 63 to 32), and the lower-order 32 bits (bits 31 to 0), respectively.

Use the MVFACGU, MVFACHI, MVFACMI, and MVFACLO instructions for reading data from the accumulator. The MVFACGU, MVFACHI, MVFACMI, and MVFACLO instructions read data from the guard bits (bits 95 to 64), higher-order 32 bits (bits 63 to 32), the middle 32 bits (bits 47 to 16), and the lower-order 32 bits (bits 31 to 0), respectively.

3. Address Space

3.1 Address Space

This MCU has a 4-Gbyte address space, consisting of the range of addresses from 0000 0000h to FFFF FFFFh. That is, linear access to an address space of up to 4 Gbytes is possible, and this contains both program and data areas.

Figure 3.1 shows the memory maps in the respective operating modes. Accessible areas will differ according to the operating mode and states of control bits.

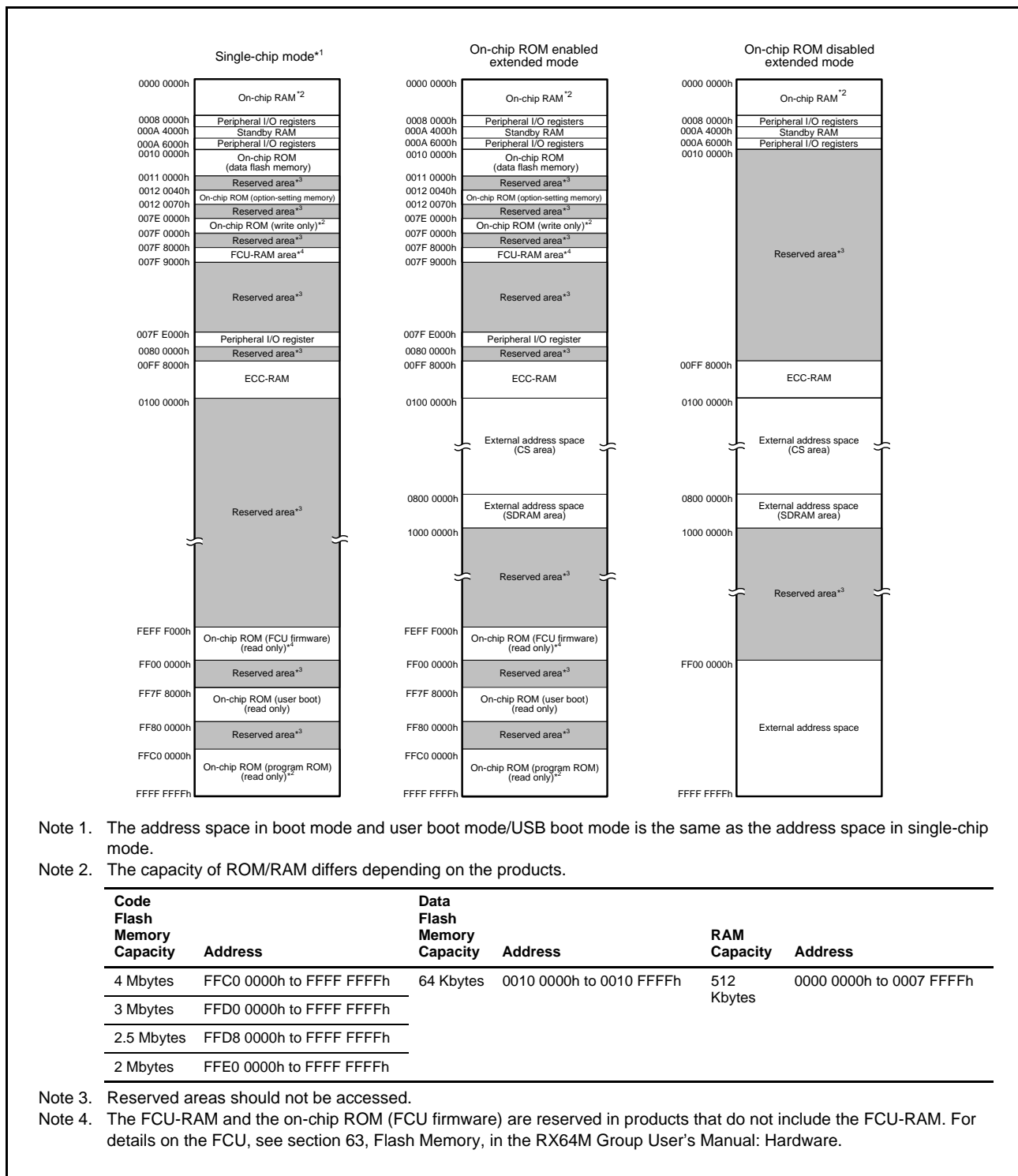


Figure 3.1 Memory Map in Each Operating Mode

3.2 External Address Space

The external address space is divided into CS areas (CS0 to CS7) and SDRAM area (SDCS). The CS areas are divided into up to eight areas (CS0 to CS7), each corresponding to the CSn# signal output from a CSn# (n = 0 to 7) pin.

Figure 3.2 shows the address ranges corresponding to the individual CS areas (CS0 to CS7) and SDRAM areas (SDCS) in on-chip ROM disabled extended mode.

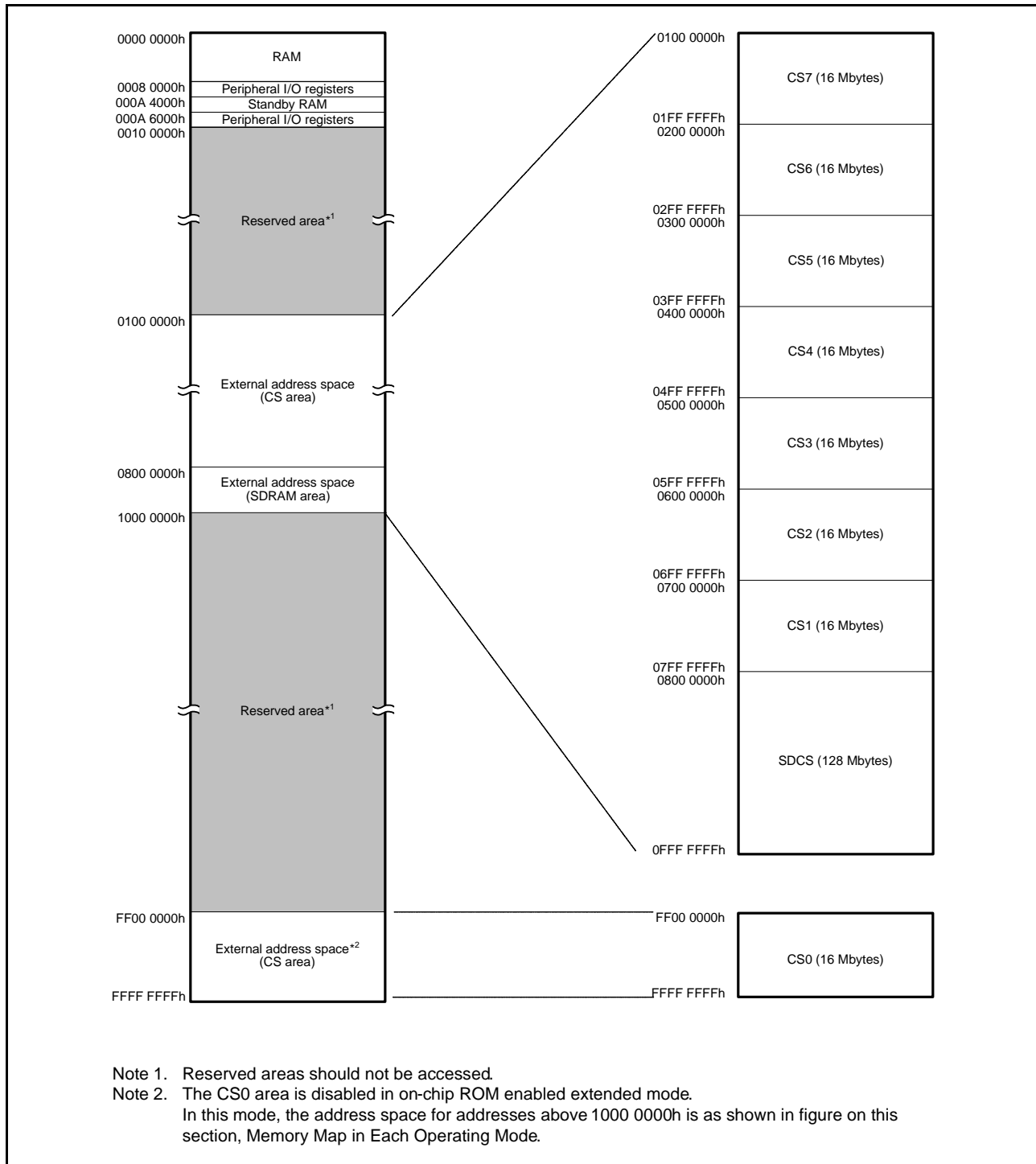


Figure 3.2 Correspondence between External Address Spaces and CS Areas (In On-Chip ROM Disabled Extended Mode)

4. I/O Registers

This section gives information on the on-chip I/O register addresses. The information is given as shown below. Notes on writing to registers are also given at the end.

(1) I/O register addresses (address order)

- Registers are listed from the lower allocation addresses.
- Registers are classified according to module symbols.
- The number of access cycles indicates the number of cycles based on the specified reference clock.
- Among the internal I/O register area, addresses not listed in the list of registers are reserved. Reserved addresses must not be accessed. Do not access these addresses; otherwise, the operation when accessing these bits and subsequent operations cannot be guaranteed.

(2) Notes on writing to I/O registers

When writing to an I/O register, the CPU starts executing the subsequent instruction before completing I/O register write. This may cause the subsequent instruction to be executed before the post-update I/O register value is reflected on the operation.

As described in the following examples, special care is required for the cases in which the subsequent instruction must be executed after the post-update I/O register value is actually reflected.

[Examples of cases requiring special care]

- The subsequent instruction must be executed while an interrupt request is disabled with the IENj bit in IERN of the ICU (interrupt request enable bit) set to 0.
- A WAIT instruction is executed immediately after the preprocessing for causing a transition to the low power consumption state.

In the above cases, after writing to an I/O register, wait until the write operation is completed using the following procedure and then execute the subsequent instruction.

- Write to an I/O register.
- Read the value from the I/O register to a general register.
- Execute the operation using the value read.
- Execute the subsequent instruction.

[Instruction examples]

- Byte-size I/O registers

```
MOV.L #SFR_ADDR, R1
MOV.B #SFR_DATA, [R1]
CMP [R1].UB, R1
;; Next process
```

- Word-size I/O registers

```
MOV.L #SFR_ADDR, R1
MOV.W #SFR_DATA, [R1]
CMP [R1].W, R1
;; Next process
```

- Longword-size I/O registers

```
MOV.L #SFR_ADDR, R1
MOV.L #SFR_DATA, [R1]
CMP [R1].L, R1
;; Next process
```

If multiple registers are written to and a subsequent instruction should be executed after the write operations are entirely completed, only read the I/O register that was last written to and execute the operation using the value; it is not necessary to read or execute operation for all the registers that were written to.

(3) Number of Access Cycles to I/O Registers

For the number of I/O register access cycles, refer to Table 4.1, List of I/O Registers (Address Order).

The number of access cycles to I/O registers is obtained by following equation.*1

Number of access cycles to I/O registers = Number of bus cycles for internal main bus 1 +
 Number of divided clock synchronization cycles +
 Number of bus cycles for internal peripheral busses 1 to 6

The number of bus cycles of internal peripheral bus 1 to 6 differs according to the register to be accessed. When peripheral functions connected to internal peripheral bus 2 to 6 or registers for the external bus control unit (except for bus error related registers) are accessed, the number of divided clock synchronization cycles is added.

The number of divided clock synchronization cycles differs depending on the frequency ratio between ICLK and PCLK (or FCLK, BCLK) or bus access timing.

In the peripheral function unit, when the frequency ratio of ICLK is equal to or greater than that of PCLK (or FCLK), the sum of the number of bus cycles for internal main bus 1 and the number of the divided clock synchronization cycles will be one cycle of PCLK (or FCLK) at a maximum. Therefore, one PCLK (or FCLK) has been added to the number of access states shown in Table 4.1.

When the frequency ratio of ICLK is lower than that of PCLK (or FCLK), the subsequent bus access is started from the ICLK cycle following the completion of the access to the peripheral functions. Therefore, the access cycles are described on an ICLK basis.

In the external bus control unit, the sum of the number of bus cycles for internal main bus 1 and the number of divided clock synchronization cycles will be one cycle of BCLK at a maximum. Therefore, one BCLK is added to the number of access cycles shown in Table 4.1.

Note 1. This applies to the number of cycles when the access from the CPU does not conflict with the instruction fetching to the external memory or bus access from the different bus master (DMAC or DTC).

(4) Notes on Sleep Mode and Mode Transitions

During sleep mode or mode transitions, do not write to the registers related to system control (indicated by 'SYSTEM' in the Module Symbol column in Table 4.1, List of I/O Registers (Address Order)).

(5) Restrictions in Relation to RMPA and String-Manipulation Instructions

The allocation of data to be handled by RMPA or string-manipulation instructions to I/O registers is prohibited, and operation is not guaranteed if this restriction is not observed.

4.1 I/O Register Addresses (Address Order)

Table 4.1 List of I/O Registers (Address Order) (1 / 67)

| Address | Module Symbol | Register Name | Register Symbol | Number of Bits | Access Size | Number of Access Cycles | | Related Function |
|------------|---------------|---|-----------------|----------------|-------------|-------------------------|-------------|--------------------------|
| | | | | | | ICLK ≥ PCLK | ICLK < PCLK | |
| 0008 0000h | SYSTEM | Mode Monitor Register | MDMONR | 16 | 16 | 3 ICLK | | Operating Modes |
| 0008 0002h | SYSTEM | Mode Status Register | MDSR | 16 | 16 | 3 ICLK | | Operating Modes |
| 0008 0006h | SYSTEM | System Control Register 0 | SYSCR0 | 16 | 16 | 3 ICLK | | Operating Modes |
| 0008 0008h | SYSTEM | System Control Register 1 | SYSCR1 | 16 | 16 | 3 ICLK | | Operating Modes |
| 0008 000Ch | SYSTEM | Standby Control Register | SBYCR | 16 | 16 | 3 ICLK | | Low Power Consumption |
| 0008 0010h | SYSTEM | Module Stop Control Register A | MSTPCRA | 32 | 32 | 3 ICLK | | Low Power Consumption |
| 0008 0014h | SYSTEM | Module Stop Control Register B | MSTPCRB | 32 | 32 | 3 ICLK | | Low Power Consumption |
| 0008 0018h | SYSTEM | Module Stop Control Register C | MSTPCRC | 32 | 32 | 3 ICLK | | Low Power Consumption |
| 0008 001Ch | SYSTEM | Module Stop Control Register D | MSTPCRD | 32 | 32 | 3 ICLK | | Low Power Consumption |
| 0008 0020h | SYSTEM | System Clock Control Register | SCKCR | 32 | 32 | 3 ICLK | | Clock Generation Circuit |
| 0008 0024h | SYSTEM | System Clock Control Register 2 | SCKCR2 | 16 | 16 | 3 ICLK | | Clock Generation Circuit |
| 0008 0026h | SYSTEM | System Clock Control Register 3 | SCKCR3 | 16 | 16 | 3 ICLK | | Clock Generation Circuit |
| 0008 0028h | SYSTEM | PLL Control Register | PLLCR | 16 | 16 | 3 ICLK | | Clock Generation Circuit |
| 0008 002Ah | SYSTEM | PLL Control Register 2 | PLLCR2 | 8 | 8 | 3 ICLK | | Clock Generation Circuit |
| 0008 0030h | SYSTEM | External Bus Clock Control Register | BCKCR | 8 | 8 | 3 ICLK | | Clock Generation Circuit |
| 0008 0032h | SYSTEM | Main Clock Oscillator Control Register | MOSCCR | 8 | 8 | 3 ICLK | | Clock Generation Circuit |
| 0008 0033h | SYSTEM | Sub-Clock Oscillator Control Register | SOSCCR | 8 | 8 | 3 ICLK | | Clock Generation Circuit |
| 0008 0034h | SYSTEM | Low-Speed On-Chip Oscillator Control Register | LOCOCR | 8 | 8 | 3 ICLK | | Clock Generation Circuit |

Table 4.1 List of I/O Registers (Address Order) (2 / 67)

| Address | Module Symbol | Register Name | Register Symbol | Number of Bits | Access Size | Number of Access Cycles | | Related Function |
|------------|---------------|---|-----------------|----------------|-------------|-------------------------|-------------|------------------------------------|
| | | | | | | ICLK ≥ PCLK | ICLK < PCLK | |
| 0008 0035h | SYSTEM | IWDT-Dedicated On-Chip Oscillator Control Register | ILOCOCR | 8 | 8 | 3 ICLK | | Clock Generation Circuit |
| 0008 0036h | SYSTEM | High-Speed On-Chip Oscillator Control Register | HOCOCR | 8 | 8 | 3 ICLK | | Clock Generation Circuit |
| 0008 0037h | SYSTEM | High-Speed On-Chip Oscillator Control Register 2 | HOCOCR2 | 8 | 8 | 3 ICLK | | Clock Generation Circuit |
| 0008 003Ch | SYSTEM | Oscillation Stabilization Flag Register | OSCOVFSR | 8 | 8 | 3 ICLK | | Clock Generation Circuit |
| 0008 0040h | SYSTEM | Oscillation Stop Detection Control Register | OSTDCR | 8 | 8 | 3 ICLK | | Clock Generation Circuit |
| 0008 0041h | SYSTEM | Oscillation Stop Detection Status Register | OSTDSR | 8 | 8 | 3 ICLK | | Clock Generation Circuit |
| 0008 00A0h | SYSTEM | Operating Power Control Register | OPCCR | 8 | 8 | 3 ICLK | | Low Power Consumption |
| 0008 00A1h | SYSTEM | Sleep Mode Return Clock Source Switching Register | RSTCKCR | 8 | 8 | 3 ICLK | | Low Power Consumption |
| 0008 00A2h | SYSTEM | Main Clock Oscillator Wait Control Register | MOSCWTCR | 8 | 8 | 3 ICLK | | Clock Generation Circuit |
| 0008 00A3h | SYSTEM | Sub-Clock Oscillator Wait Control Register | SOSCWTCR | 8 | 8 | 3 ICLK | | Clock Generation Circuit |
| 0008 00C0h | SYSTEM | Reset Status Register 2 | RSTSR2 | 8 | 8 | 3 ICLK | | Resets |
| 0008 00C2h | SYSTEM | Software Reset Register | SWRR | 16 | 16 | 3 ICLK | | Resets |
| 0008 00E0h | SYSTEM | Voltage Monitoring 1 Circuit Control Register 1 | LVD1CR1 | 8 | 8 | 3 ICLK | | LVDA |
| 0008 00E1h | SYSTEM | Voltage Monitoring 1 Circuit Status Register | LVD1SR | 8 | 8 | 3 ICLK | | LVDA |
| 0008 00E2h | SYSTEM | Voltage Monitoring 2 Circuit Control Register 1 | LVD2CR1 | 8 | 8 | 3 ICLK | | LVDA |
| 0008 00E3h | SYSTEM | Voltage Monitoring 2 Circuit Status Register | LVD2SR | 8 | 8 | 3 ICLK | | LVDA |
| 0008 03FEh | SYSTEM | Protect Register | PRCR | 16 | 16 | 3 ICLK | | Register Write Protection Function |
| 0008 1200h | RAM | RAM Operating Mode Control Register | RAMMODE | 8 | 8 | 2 ICLK | | RAM |
| 0008 1201h | RAM | RAM Error Status Register | RAMSTS | 8 | 8 | 2 ICLK | | RAM |
| 0008 1204h | RAM | RAM Protection Register | RAMPRCR | 8 | 8 | 2 ICLK | | RAM |
| 0008 1208h | RAM | RAM Error Address Capture Register | RAMECAD | 32 | 32 | 2 ICLK | | RAM |
| 0008 12C0h | ECCRAM | ECCRAM Operating Mode Control Register | ECCRAMMODE | 8 | 8 | 2 ICLK | | RAM |
| 0008 12C1h | ECCRAM | ECCRAM 2-Bit Error Status Register | ECCRAM2STS | 8 | 8 | 2 ICLK | | RAM |
| 0008 12C2h | ECCRAM | ECCRAM 1-Bit Error Information Update Enable Register | ECCRAM1STSEN | 8 | 8 | 2 ICLK | | RAM |

Table 4.1 List of I/O Registers (Address Order) (3 / 67)

| Address | Module Symbol | Register Name | Register Symbol | Number of Bits | Access Size | Number of Access Cycles | | Related Function |
|------------|---------------|---|-----------------|----------------|-------------|-------------------------|-------------|------------------|
| | | | | | | ICLK \geq PCLK | ICLK < PCLK | |
| 0008 12C3h | ECCRAM | ECCRAM 1-Bit Error Status Register | ECCRAM1STS | 8 | 8 | 2 ICLK | | RAM |
| 0008 12C4h | ECCRAM | ECCRAM Protection Register | ECCRAMPCR | 8 | 8 | 2 ICLK | | RAM |
| 0008 12C8h | ECCRAM | ECCRAM 2-Bit Error Address Capture Register | ECCRAM2ECAD | 32 | 32 | 2 ICLK | | RAM |
| 0008 12CCh | ECCRAM | ECCRAM 1-Bit Error Address Capture Register | ECCRAM1ECAD | 32 | 32 | 2 ICLK | | RAM |
| 0008 12D0h | ECCRAM | ECCRAM Protection Register 2 | ECCRAMPCR2 | 8 | 8 | 2 ICLK | | RAM |
| 0008 12D4h | ECCRAM | ECCRAM Test Control Register | ECCRAMETS | 8 | 8 | 2 ICLK | | RAM |
| 0008 1300h | BSC | Bus Error Status Clear Register | BERCLR | 8 | 8 | 2 ICLK | | Buses |
| 0008 1304h | BSC | Bus Error Monitoring Enable Register | BEREN | 8 | 8 | 2 ICLK | | Buses |
| 0008 1308h | BSC | Bus Error Status Register 1 | BERSR1 | 8 | 8 | 2 ICLK | | Buses |
| 0008 130Ah | BSC | Bus Error Status Register 2 | BERSR2 | 16 | 16 | 2 ICLK | | Buses |
| 0008 1310h | BSC | Bus Priority Control Register | BUSPRI | 16 | 16 | 2 ICLK | | Buses |
| 0008 2000h | DMAC0 | DMA Source Address Register | DMSAR | 32 | 32 | 2 ICLK | | DMACa |
| 0008 2004h | DMAC0 | DMA Destination Address Register | DMDAR | 32 | 32 | 2 ICLK | | DMACa |
| 0008 2008h | DMAC0 | DMA Transfer Count Register | DMCRA | 32 | 32 | 2 ICLK | | DMACa |
| 0008 200Ch | DMAC0 | DMA Block Transfer Count Register | DMCRB | 16 | 16 | 2 ICLK | | DMACa |
| 0008 2010h | DMAC0 | DMA Transfer Mode Register | DMTMD | 16 | 16 | 2 ICLK | | DMACa |
| 0008 2013h | DMAC0 | DMA Interrupt Setting Register | DMINT | 8 | 8 | 2 ICLK | | DMACa |
| 0008 2014h | DMAC0 | DMA Address Mode Register | DMAMD | 16 | 16 | 2 ICLK | | DMACa |
| 0008 2018h | DMAC0 | DMA Offset Register | DMOFR | 32 | 32 | 2 ICLK | | DMACa |
| 0008 201Ch | DMAC0 | DMA Transfer Enable Register | DMCNT | 8 | 8 | 2 ICLK | | DMACa |
| 0008 201Dh | DMAC0 | DMA Software Start Register | DMREQ | 8 | 8 | 2 ICLK | | DMACa |
| 0008 201Eh | DMAC0 | DMA Status Register | DMSTS | 8 | 8 | 2 ICLK | | DMACa |
| 0008 201Fh | DMAC0 | DMA Request Source Flag Control Register | DMCSL | 8 | 8 | 2 ICLK | | DMACa |
| 0008 2040h | DMAC1 | DMA Source Address Register | DMSAR | 32 | 32 | 2 ICLK | | DMACa |
| 0008 2044h | DMAC1 | DMA Destination Address Register | DMDAR | 32 | 32 | 2 ICLK | | DMACa |
| 0008 2048h | DMAC1 | DMA Transfer Count Register | DMCRA | 32 | 32 | 2 ICLK | | DMACa |
| 0008 204Ch | DMAC1 | DMA Block Transfer Count Register | DMCRB | 16 | 16 | 2 ICLK | | DMACa |
| 0008 2050h | DMAC1 | DMA Transfer Mode Register | DMTMD | 16 | 16 | 2 ICLK | | DMACa |
| 0008 2053h | DMAC1 | DMA Interrupt Setting Register | DMINT | 8 | 8 | 2 ICLK | | DMACa |
| 0008 2054h | DMAC1 | DMA Address Mode Register | DMAMD | 16 | 16 | 2 ICLK | | DMACa |
| 0008 205Ch | DMAC1 | DMA Transfer Enable Register | DMCNT | 8 | 8 | 2 ICLK | | DMACa |
| 0008 205Dh | DMAC1 | DMA Software Start Register | DMREQ | 8 | 8 | 2 ICLK | | DMACa |
| 0008 205Eh | DMAC1 | DMA Status Register | DMSTS | 8 | 8 | 2 ICLK | | DMACa |
| 0008 205Fh | DMAC1 | DMA Request Source Flag Control Register | DMCSL | 8 | 8 | 2 ICLK | | DMACa |
| 0008 2080h | DMAC2 | DMA Source Address Register | DMSAR | 32 | 32 | 2 ICLK | | DMACa |
| 0008 2084h | DMAC2 | DMA Destination Address Register | DMDAR | 32 | 32 | 2 ICLK | | DMACa |
| 0008 2088h | DMAC2 | DMA Transfer Count Register | DMCRA | 32 | 32 | 2 ICLK | | DMACa |
| 0008 208Ch | DMAC2 | DMA Block Transfer Count Register | DMCRB | 16 | 16 | 2 ICLK | | DMACa |
| 0008 2090h | DMAC2 | DMA Transfer Mode Register | DMTMD | 16 | 16 | 2 ICLK | | DMACa |
| 0008 2093h | DMAC2 | DMA Interrupt Setting Register | DMINT | 8 | 8 | 2 ICLK | | DMACa |
| 0008 2094h | DMAC2 | DMA Address Mode Register | DMAMD | 16 | 16 | 2 ICLK | | DMACa |
| 0008 209Ch | DMAC2 | DMA Transfer Enable Register | DMCNT | 8 | 8 | 2 ICLK | | DMACa |
| 0008 209Dh | DMAC2 | DMA Software Start Register | DMREQ | 8 | 8 | 2 ICLK | | DMACa |
| 0008 209Eh | DMAC2 | DMA Status Register | DMSTS | 8 | 8 | 2 ICLK | | DMACa |
| 0008 209Fh | DMAC2 | DMA Request Source Flag Control Register | DMCSL | 8 | 8 | 2 ICLK | | DMACa |
| 0008 20C0h | DMAC3 | DMA Source Address Register | DMSAR | 32 | 32 | 2 ICLK | | DMACa |

Table 4.1 List of I/O Registers (Address Order) (4 / 67)

| Address | Module Symbol | Register Name | Register Symbol | Number of Bits | Access Size | Number of Access Cycles | | Related Function |
|------------|---------------|--|-----------------|----------------|-------------|-------------------------|-------------|------------------|
| | | | | | | ICLK \geq PCLK | ICLK < PCLK | |
| 0008 20C4h | DMAC3 | DMA Destination Address Register | DMDAR | 32 | 32 | 2 ICLK | | DMACAA |
| 0008 20C8h | DMAC3 | DMA Transfer Count Register | DMCRA | 32 | 32 | 2 ICLK | | DMACAA |
| 0008 20CCh | DMAC3 | DMA Block Transfer Count Register | DMCRB | 16 | 16 | 2 ICLK | | DMACAA |
| 0008 20D0h | DMAC3 | DMA Transfer Mode Register | DMTMD | 16 | 16 | 2 ICLK | | DMACAA |
| 0008 20D3h | DMAC3 | DMA Interrupt Setting Register | DMINT | 8 | 8 | 2 ICLK | | DMACAA |
| 0008 20D4h | DMAC3 | DMA Address Mode Register | DMAMD | 16 | 16 | 2 ICLK | | DMACAA |
| 0008 20DCh | DMAC3 | DMA Transfer Enable Register | DMCNT | 8 | 8 | 2 ICLK | | DMACAA |
| 0008 20DDh | DMAC3 | DMA Software Start Register | DMREQ | 8 | 8 | 2 ICLK | | DMACAA |
| 0008 20DEh | DMAC3 | DMA Status Register | DMSTS | 8 | 8 | 2 ICLK | | DMACAA |
| 0008 20DFh | DMAC3 | DMA Request Source Flag Control Register | DMCSL | 8 | 8 | 2 ICLK | | DMACAA |
| 0008 2100h | DMAC4 | DMA Source Address Register | DMSAR | 32 | 32 | 2 ICLK | | DMACAA |
| 0008 2104h | DMAC4 | DMA Destination Address Register | DMDAR | 32 | 32 | 2 ICLK | | DMACAA |
| 0008 2108h | DMAC4 | DMA Transfer Count Register | DMCRA | 32 | 32 | 2 ICLK | | DMACAA |
| 0008 210Ch | DMAC4 | DMA Block Transfer Count Register | DMCRB | 16 | 16 | 2 ICLK | | DMACAA |
| 0008 2110h | DMAC4 | DMA Transfer Mode Register | DMTMD | 16 | 16 | 2 ICLK | | DMACAA |
| 0008 2113h | DMAC4 | DMA Interrupt Setting Register | DMINT | 8 | 8 | 2 ICLK | | DMACAA |
| 0008 2114h | DMAC4 | DMA Address Mode Register | DMAMD | 16 | 16 | 2 ICLK | | DMACAA |
| 0008 211Ch | DMAC4 | DMA Transfer Enable Register | DMCNT | 8 | 8 | 2 ICLK | | DMACAA |
| 0008 211Dh | DMAC4 | DMA Software Start Register | DMREQ | 8 | 8 | 2 ICLK | | DMACAA |
| 0008 211Eh | DMAC4 | DMA Status Register | DMSTS | 8 | 8 | 2 ICLK | | DMACAA |
| 0008 211Fh | DMAC4 | DMA Request Source Flag Control Register | DMCSL | 8 | 8 | 2 ICLK | | DMACAA |
| 0008 2140h | DMAC5 | DMA Source Address Register | DMSAR | 32 | 32 | 2 ICLK | | DMACAA |
| 0008 2144h | DMAC5 | DMA Destination Address Register | DMDAR | 32 | 32 | 2 ICLK | | DMACAA |
| 0008 2148h | DMAC5 | DMA Transfer Count Register | DMCRA | 32 | 32 | 2 ICLK | | DMACAA |
| 0008 214Ch | DMAC5 | DMA Block Transfer Count Register | DMCRB | 16 | 16 | 2 ICLK | | DMACAA |
| 0008 2150h | DMAC5 | DMA Transfer Mode Register | DMTMD | 16 | 16 | 2 ICLK | | DMACAA |
| 0008 2153h | DMAC5 | DMA Interrupt Setting Register | DMINT | 8 | 8 | 2 ICLK | | DMACAA |
| 0008 2154h | DMAC5 | DMA Address Mode Register | DMAMD | 16 | 16 | 2 ICLK | | DMACAA |
| 0008 215Ch | DMAC5 | DMA Transfer Enable Register | DMCNT | 8 | 8 | 2 ICLK | | DMACAA |
| 0008 215Dh | DMAC5 | DMA Software Start Register | DMREQ | 8 | 8 | 2 ICLK | | DMACAA |
| 0008 215Eh | DMAC5 | DMA Status Register | DMSTS | 8 | 8 | 2 ICLK | | DMACAA |
| 0008 215Fh | DMAC5 | DMA Request Source Flag Control Register | DMCSL | 8 | 8 | 2 ICLK | | DMACAA |
| 0008 2180h | DMAC6 | DMA Source Address Register | DMSAR | 32 | 32 | 2 ICLK | | DMACAA |
| 0008 2184h | DMAC6 | DMA Destination Address Register | DMDAR | 32 | 32 | 2 ICLK | | DMACAA |
| 0008 2188h | DMAC6 | DMA Transfer Count Register | DMCRA | 32 | 32 | 2 ICLK | | DMACAA |
| 0008 218Ch | DMAC6 | DMA Block Transfer Count Register | DMCRB | 16 | 16 | 2 ICLK | | DMACAA |
| 0008 2190h | DMAC6 | DMA Transfer Mode Register | DMTMD | 16 | 16 | 2 ICLK | | DMACAA |
| 0008 2193h | DMAC6 | DMA Interrupt Setting Register | DMINT | 8 | 8 | 2 ICLK | | DMACAA |
| 0008 2194h | DMAC6 | DMA Address Mode Register | DMAMD | 16 | 16 | 2 ICLK | | DMACAA |
| 0008 219Ch | DMAC6 | DMA Transfer Enable Register | DMCNT | 8 | 8 | 2 ICLK | | DMACAA |
| 0008 219Dh | DMAC6 | DMA Software Start Register | DMREQ | 8 | 8 | 2 ICLK | | DMACAA |
| 0008 219Eh | DMAC6 | DMA Status Register | DMSTS | 8 | 8 | 2 ICLK | | DMACAA |
| 0008 219Fh | DMAC6 | DMA Request Source Flag Control Register | DMCSL | 8 | 8 | 2 ICLK | | DMACAA |
| 0008 21C0h | DMAC7 | DMA Source Address Register | DMSAR | 32 | 32 | 2 ICLK | | DMACAA |
| 0008 21C4h | DMAC7 | DMA Destination Address Register | DMDAR | 32 | 32 | 2 ICLK | | DMACAA |
| 0008 21C8h | DMAC7 | DMA Transfer Count Register | DMCRA | 32 | 32 | 2 ICLK | | DMACAA |
| 0008 21CCh | DMAC7 | DMA Block Transfer Count Register | DMCRB | 16 | 16 | 2 ICLK | | DMACAA |
| 0008 21D0h | DMAC7 | DMA Transfer Mode Register | DMTMD | 16 | 16 | 2 ICLK | | DMACAA |
| 0008 21D3h | DMAC7 | DMA Interrupt Setting Register | DMINT | 8 | 8 | 2 ICLK | | DMACAA |
| 0008 21D4h | DMAC7 | DMA Address Mode Register | DMAMD | 16 | 16 | 2 ICLK | | DMACAA |

Table 4.1 List of I/O Registers (Address Order) (5 / 67)

| Address | Module Symbol | Register Name | Register Symbol | Number of Bits | Access Size | Number of Access Cycles | | Related Function |
|------------|---------------|--|-----------------|----------------|-------------|-------------------------|---------------|------------------|
| | | | | | | ICLK \geq PCLK | ICLK $<$ PCLK | |
| 0008 21DCh | DMAC7 | DMA Transfer Enable Register | DMCNT | 8 | 8 | 2 ICLK | | DMACAa |
| 0008 21DDh | DMAC7 | DMA Software Start Register | DMREQ | 8 | 8 | 2 ICLK | | DMACAa |
| 0008 21DEh | DMAC7 | DMA Status Register | DMSTS | 8 | 8 | 2 ICLK | | DMACAa |
| 0008 21DFh | DMAC7 | DMA Request Source Flag Control Register | DMCSL | 8 | 8 | 2 ICLK | | DMACAa |
| 0008 2200h | DMAC | DMAC Module Start Register | DMAST | 8 | 8 | 2 ICLK | | DMACAa |
| 0008 2204h | DMAC | DMAC74 Interrupt Status Monitor Register | DMIST | 8 | 8 | 2 ICLK | | DMACAa |
| 0008 2400h | DTC | DTC Control Register | DTCCR | 8 | 8 | 2 ICLK | | DTCa |
| 0008 2404h | DTC | DTC Vector Base Register | DTCVBR | 32 | 32 | 2 ICLK | | DTCa |
| 0008 2408h | DTC | DTC Address Mode Register | DTCADMOD | 8 | 8 | 2 ICLK | | DTCa |
| 0008 240Ch | DTC | DTC Module Start Register | DTCST | 8 | 8 | 2 ICLK | | DTCa |
| 0008 240Eh | DTC | DTC Status Register | DTCSTS | 16 | 16 | 2 ICLK | | DTCa |
| 0008 2800h | EXDMA C0 | EXDMA Source Address Register | EDMSAR | 32 | 32 | 1, 2 BCLK | | EXDMA Ca |
| 0008 2804h | EXDMA C0 | EXDMA Destination Address Register | EDMDAR | 32 | 32 | 1, 2 BCLK | | EXDMA Ca |
| 0008 2808h | EXDMA C0 | EXDMA Transfer Count Register | EDMCRA | 32 | 32 | 1, 2 BCLK | | EXDMA Ca |
| 0008 280Ch | EXDMA C0 | EXDMA Block Transfer Count Register | EDMCRB | 16 | 16 | 1, 2 BCLK | | EXDMA Ca |
| 0008 2810h | EXDMA C0 | EXDMA Transfer Mode Register | EDMTMD | 16 | 16 | 1, 2 BCLK | | EXDMA Ca |
| 0008 2812h | EXDMA C0 | EXDMA Output Setting Register | EDMOMD | 8 | 8 | 1, 2 BCLK | | EXDMA Ca |
| 0008 2813h | EXDMA C0 | EXDMA Interrupt Setting Register | EDMINT | 8 | 8 | 1, 2 BCLK | | EXDMA Ca |
| 0008 2814h | EXDMA C0 | EXDMA Address Mode Register | EDMAMD | 32 | 32 | 1, 2 BCLK | | EXDMA Ca |
| 0008 2818h | EXDMA C0 | EXDMA Offset Register | EDMOFR | 32 | 32 | 1, 2 BCLK | | EXDMA Ca |
| 0008 281Ch | EXDMA C0 | EXDMA Transfer Enable Register | EDMCNT | 8 | 8 | 1, 2 BCLK | | EXDMA Ca |
| 0008 281Dh | EXDMA C0 | EXDMA Software Start Register | EDMREQ | 8 | 8 | 1, 2 BCLK | | EXDMA Ca |
| 0008 281Eh | EXDMA C0 | EXDMA Status Register | EDMSTS | 8 | 8 | 1, 2 BCLK | | EXDMA Ca |
| 0008 2820h | EXDMA C0 | EXDMA External Request Sense Mode Register | EDMRMD | 8 | 8 | 1, 2 BCLK | | EXDMA Ca |
| 0008 2821h | EXDMA C0 | EXDMA External Request Flag Register | EDMERF | 8 | 8 | 1, 2 BCLK | | EXDMA Ca |
| 0008 2822h | EXDMA C0 | EXDMA Peripheral Request Flag Register | EDMPRF | 8 | 8 | 1, 2 BCLK | | EXDMA Ca |
| 0008 2840h | EXDMA C1 | EXDMA Source Address Register | EDMSAR | 32 | 32 | 1, 2 BCLK | | EXDMA Ca |
| 0008 2844h | EXDMA C1 | EXDMA Destination Address Register | EDMDAR | 32 | 32 | 1, 2 BCLK | | EXDMA Ca |
| 0008 2848h | EXDMA C1 | EXDMA Transfer Count Register | EDMCRA | 32 | 32 | 1, 2 BCLK | | EXDMA Ca |
| 0008 284Ch | EXDMA C1 | EXDMA Block Transfer Count Register | EDMCRB | 16 | 16 | 1, 2 BCLK | | EXDMA Ca |
| 0008 2850h | EXDMA C1 | EXDMA Transfer Mode Register | EDMTMD | 16 | 16 | 1, 2 BCLK | | EXDMA Ca |
| 0008 2852h | EXDMA C1 | EXDMA Output Setting Register | EDMOMD | 8 | 8 | 1, 2 BCLK | | EXDMA Ca |
| 0008 2853h | EXDMA C1 | EXDMA Interrupt Setting Register | EDMINT | 8 | 8 | 1, 2 BCLK | | EXDMA Ca |
| 0008 2854h | EXDMA C1 | EXDMA Address Mode Register | EDMAMD | 32 | 32 | 1, 2 BCLK | | EXDMA Ca |
| 0008 285Ch | EXDMA C1 | EXDMA Transfer Enable Register | EDMCNT | 8 | 8 | 1, 2 BCLK | | EXDMA Ca |

Table 4.1 List of I/O Registers (Address Order) (6 / 67)

| Address | Module Symbol | Register Name | Register Symbol | Number of Bits | Access Size | Number of Access Cycles | | Related Function |
|------------|---------------|--|-----------------|----------------|-------------|-------------------------|-------------|------------------|
| | | | | | | ICLK ≥ PCLK | ICLK < PCLK | |
| 0008 285Dh | EXDMA C1 | EXDMA Software Start Register | EDMREQ | 8 | 8 | 1, 2 BCLK | | EXDMA Ca |
| 0008 285Eh | EXDMA C1 | EXDMA Status Register | EDMSTS | 8 | 8 | 1, 2 BCLK | | EXDMA Ca |
| 0008 2860h | EXDMA C1 | EXDMA External Request Sense Mode Register | EDMRMD | 8 | 8 | 1, 2 BCLK | | EXDMA Ca |
| 0008 2861h | EXDMA C1 | EXDMA External Request Flag Register | EDMERF | 8 | 8 | 1, 2 BCLK | | EXDMA Ca |
| 0008 2862h | EXDMA C1 | EXDMA Peripheral Request Flag Register | EDMPRF | 8 | 8 | 1, 2 BCLK | | EXDMA Ca |
| 0008 2A00h | EXDMA C | EXDMAC Module Start Register | EDMAST | 8 | 8 | 1, 2 BCLK | | EXDMA Ca |
| 0008 2BE0h | EXDMA C | Cluster Buffer Register 0 | CLSBR0 | 32 | 32 | 1, 2 BCLK | | EXDMA Ca |
| 0008 2BE4h | EXDMA C | Cluster Buffer Register 1 | CLSBR1 | 32 | 32 | 1, 2 BCLK | | EXDMA Ca |
| 0008 2BE8h | EXDMA C | Cluster Buffer Register 2 | CLSBR2 | 32 | 32 | 1, 2 BCLK | | EXDMA Ca |
| 0008 2BECh | EXDMA C | Cluster Buffer Register 3 | CLSBR3 | 32 | 32 | 1, 2 BCLK | | EXDMA Ca |
| 0008 2BF0h | EXDMA C | Cluster Buffer Register 4 | CLSBR4 | 32 | 32 | 1, 2 BCLK | | EXDMA Ca |
| 0008 2BF4h | EXDMA C | Cluster Buffer Register 5 | CLSBR5 | 32 | 32 | 1, 2 BCLK | | EXDMA Ca |
| 0008 2BF8h | EXDMA C | Cluster Buffer Register 6 | CLSBR6 | 32 | 32 | 1, 2 BCLK | | EXDMA Ca |
| 0008 2BFCh | EXDMA C | Cluster Buffer Register 7 | CLSBR7 | 32 | 32 | 1, 2 BCLK | | EXDMA Ca |
| 0008 3002h | BSC | CS0 Mode Register | CS0MOD | 16 | 16 | 1, 2 BCLK | | Buses |
| 0008 3004h | BSC | CS0 Wait Control Register 1 | CS0WCR1 | 32 | 32 | 1, 2 BCLK | | Buses |
| 0008 3008h | BSC | CS0 Wait Control Register 2 | CS0WCR2 | 32 | 32 | 1, 2 BCLK | | Buses |
| 0008 3012h | BSC | CS1 Mode Register | CS1MOD | 16 | 16 | 1, 2 BCLK | | Buses |
| 0008 3014h | BSC | CS1 Wait Control Register 1 | CS1WCR1 | 32 | 32 | 1, 2 BCLK | | Buses |
| 0008 3018h | BSC | CS1 Wait Control Register 2 | CS1WCR2 | 32 | 32 | 1, 2 BCLK | | Buses |
| 0008 3022h | BSC | CS2 Mode Register | CS2MOD | 16 | 16 | 1, 2 BCLK | | Buses |
| 0008 3024h | BSC | CS2 Wait Control Register 1 | CS2WCR1 | 32 | 32 | 1, 2 BCLK | | Buses |
| 0008 3028h | BSC | CS2 Wait Control Register 2 | CS2WCR2 | 32 | 32 | 1, 2 BCLK | | Buses |
| 0008 3032h | BSC | CS3 Mode Register | CS3MOD | 16 | 16 | 1, 2 BCLK | | Buses |
| 0008 3034h | BSC | CS3 Wait Control Register 1 | CS3WCR1 | 32 | 32 | 1, 2 BCLK | | Buses |
| 0008 3038h | BSC | CS3 Wait Control Register 2 | CS3WCR2 | 32 | 32 | 1, 2 BCLK | | Buses |
| 0008 3042h | BSC | CS4 Mode Register | CS4MOD | 16 | 16 | 1, 2 BCLK | | Buses |
| 0008 3044h | BSC | CS4 Wait Control Register 1 | CS4WCR1 | 32 | 32 | 1, 2 BCLK | | Buses |
| 0008 3048h | BSC | CS4 Wait Control Register 2 | CS4WCR2 | 32 | 32 | 1, 2 BCLK | | Buses |
| 0008 3052h | BSC | CS5 Mode Register | CS5MOD | 16 | 16 | 1, 2 BCLK | | Buses |
| 0008 3054h | BSC | CS5 Wait Control Register 1 | CS5WCR1 | 32 | 32 | 1, 2 BCLK | | Buses |
| 0008 3058h | BSC | CS5 Wait Control Register 2 | CS5WCR2 | 32 | 32 | 1, 2 BCLK | | Buses |
| 0008 3062h | BSC | CS6 Mode Register | CS6MOD | 16 | 16 | 1, 2 BCLK | | Buses |
| 0008 3064h | BSC | CS6 Wait Control Register 1 | CS6WCR1 | 32 | 32 | 1, 2 BCLK | | Buses |
| 0008 3068h | BSC | CS6 Wait Control Register 2 | CS6WCR2 | 32 | 32 | 1, 2 BCLK | | Buses |
| 0008 3072h | BSC | CS7 Mode Register | CS7MOD | 16 | 16 | 1, 2 BCLK | | Buses |
| 0008 3074h | BSC | CS7 Wait Control Register 1 | CS7WCR1 | 32 | 32 | 1, 2 BCLK | | Buses |
| 0008 3078h | BSC | CS7 Wait Control Register 2 | CS7WCR2 | 32 | 32 | 1, 2 BCLK | | Buses |
| 0008 3802h | BSC | CS0 Control Register | CS0CR | 16 | 16 | 1, 2 BCLK | | Buses |
| 0008 380Ah | BSC | CS0 Recovery Cycle Register | CS0REC | 16 | 16 | 1, 2 BCLK | | Buses |
| 0008 3812h | BSC | CS1 Control Register | CS1CR | 16 | 16 | 1, 2 BCLK | | Buses |
| 0008 381Ah | BSC | CS1 Recovery Cycle Register | CS1REC | 16 | 16 | 1, 2 BCLK | | Buses |

Table 4.1 List of I/O Registers (Address Order) (7 / 67)

| Address | Module Symbol | Register Name | Register Symbol | Number of Bits | Access Size | Number of Access Cycles | | Related Function |
|------------|---------------|--|-----------------|----------------|-------------|-------------------------|-------------|------------------|
| | | | | | | ICLK \geq PCLK | ICLK < PCLK | |
| 0008 3822h | BSC | CS2 Control Register | CS2CR | 16 | 16 | 1, 2 BCLK | | Buses |
| 0008 382Ah | BSC | CS2 Recovery Cycle Register | CS2REC | 16 | 16 | 1, 2 BCLK | | Buses |
| 0008 3832h | BSC | CS3 Control Register | CS3CR | 16 | 16 | 1, 2 BCLK | | Buses |
| 0008 383Ah | BSC | CS3 Recovery Cycle Register | CS3REC | 16 | 16 | 1, 2 BCLK | | Buses |
| 0008 3842h | BSC | CS4 Control Register | CS4CR | 16 | 16 | 1, 2 BCLK | | Buses |
| 0008 384Ah | BSC | CS4 Recovery Cycle Register | CS4REC | 16 | 16 | 1, 2 BCLK | | Buses |
| 0008 3852h | BSC | CS5 Control Register | CS5CR | 16 | 16 | 1, 2 BCLK | | Buses |
| 0008 385Ah | BSC | CS5 Recovery Cycle Register | CS5REC | 16 | 16 | 1, 2 BCLK | | Buses |
| 0008 3862h | BSC | CS6 Control Register | CS6CR | 16 | 16 | 1, 2 BCLK | | Buses |
| 0008 386Ah | BSC | CS6 Recovery Cycle Register | CS6REC | 16 | 16 | 1, 2 BCLK | | Buses |
| 0008 3872h | BSC | CS7 Control Register | CS7CR | 16 | 16 | 1, 2 BCLK | | Buses |
| 0008 387Ah | BSC | CS7 Recovery Cycle Register | CS7REC | 16 | 16 | 1, 2 BCLK | | Buses |
| 0008 3880h | BSC | CS Recovery Cycle Insertion Enable Register | CSREGEN | 16 | 16 | 1, 2 BCLK | | Buses |
| 0008 3C00h | BSC | SDC Control Register | SDCCR | 8 | 8 | 1, 2 BCLK | | Buses |
| 0008 3C01h | BSC | SDC Mode Register | SDCMOD | 8 | 8 | 1, 2 BCLK | | Buses |
| 0008 3C02h | BSC | SDRAM Access Mode Register | SDAMOD | 8 | 8 | 1, 2 BCLK | | Buses |
| 0008 3C10h | BSC | SDRAM Self-Refresh Control Register | SDSELF | 8 | 8 | 1, 2 BCLK | | Buses |
| 0008 3C14h | BSC | SDRAM Refresh Control Register | SDRFCR | 16 | 16 | 1, 2 BCLK | | Buses |
| 0008 3C16h | BSC | SDRAM Auto-Refresh Control Register | SDRFEN | 8 | 8 | 1, 2 BCLK | | Buses |
| 0008 3C20h | BSC | SDRAM Initialization Sequence Control Register | SDICR | 8 | 8 | 1, 2 BCLK | | Buses |
| 0008 3C24h | BSC | SDRAM Initialization Register | SDIR | 16 | 16 | 1, 2 BCLK | | Buses |
| 0008 3C40h | BSC | SDRAM Address Register | SDADR | 8 | 8 | 1, 2 BCLK | | Buses |
| 0008 3C44h | BSC | SDRAM Timing Register | SDTR | 32 | 32 | 1, 2 BCLK | | Buses |
| 0008 3C48h | BSC | SDRAM Mode Register | SDMOD | 16 | 16 | 1, 2 BCLK | | Buses |
| 0008 3C50h | BSC | SDRAM Status Register | SDSR | 8 | 8 | 1, 2 BCLK | | Buses |
| 0008 6400h | MPU | Region-0 Start Page Number Register | RSPAGE0 | 32 | 32 | 1 ICLK | | MPU |
| 0008 6404h | MPU | Region-0 End Page Number Register | REPAGE0 | 32 | 32 | 1 ICLK | | MPU |
| 0008 6408h | MPU | Region-1 Start Page Number Register | RSPAGE1 | 32 | 32 | 1 ICLK | | MPU |
| 0008 640Ch | MPU | Region-1 End Page Number Register | REPAGE1 | 32 | 32 | 1 ICLK | | MPU |
| 0008 6410h | MPU | Region-2 Start Page Number Register | RSPAGE2 | 32 | 32 | 1 ICLK | | MPU |
| 0008 6414h | MPU | Region-2 End Page Number Register | REPAGE2 | 32 | 32 | 1 ICLK | | MPU |
| 0008 6418h | MPU | Region-3 Start Page Number Register | RSPAGE3 | 32 | 32 | 1 ICLK | | MPU |
| 0008 641Ch | MPU | Region-3 End Page Number Register | REPAGE3 | 32 | 32 | 1 ICLK | | MPU |
| 0008 6420h | MPU | Region-4 Start Page Number Register | RSPAGE4 | 32 | 32 | 1 ICLK | | MPU |
| 0008 6424h | MPU | Region-4 End Page Number Register | REPAGE4 | 32 | 32 | 1 ICLK | | MPU |
| 0008 6428h | MPU | Region-5 Start Page Number Register | RSPAGE5 | 32 | 32 | 1 ICLK | | MPU |
| 0008 642Ch | MPU | Region-5 End Page Number Register | REPAGE5 | 32 | 32 | 1 ICLK | | MPU |
| 0008 6430h | MPU | Region-6 Start Page Number Register | RSPAGE6 | 32 | 32 | 1 ICLK | | MPU |
| 0008 6434h | MPU | Region-6 End Page Number Register | REPAGE6 | 32 | 32 | 1 ICLK | | MPU |
| 0008 6438h | MPU | Region-7 Start Page Number Register | RSPAGE7 | 32 | 32 | 1 ICLK | | MPU |
| 0008 643Ch | MPU | Region-7 End Page Number Register | REPAGE7 | 32 | 32 | 1 ICLK | | MPU |
| 0008 6500h | MPU | Memory-Protection Enable Register | MPEN | 32 | 32 | 1 ICLK | | MPU |
| 0008 6504h | MPU | Background Access Control Register | MPBAC | 32 | 32 | 1 ICLK | | MPU |
| 0008 6508h | MPU | Memory-Protection Error Status-Clearing Register | MPECLR | 32 | 32 | 1 ICLK | | MPU |
| 0008 650Ch | MPU | Memory-Protection Error Status Register | MPESTS | 32 | 32 | 1 ICLK | | MPU |
| 0008 6514h | MPU | Data Memory-Protection Error Address Register | MPDEA | 32 | 32 | 1 ICLK | | MPU |
| 0008 6520h | MPU | Region Search Address Register | MPSA | 32 | 32 | 1 ICLK | | MPU |
| 0008 6524h | MPU | Region Search Operation Register | MPOPS | 16 | 16 | 1 ICLK | | MPU |
| 0008 6526h | MPU | Region Invalidation Operation Register | MPOPI | 16 | 16 | 1 ICLK | | MPU |
| 0008 6528h | MPU | Instruction-Hit Region Register | MHITI | 32 | 32 | 1 ICLK | | MPU |

Table 4.1 List of I/O Registers (Address Order) (8 / 67)

| Address | Module Symbol | Register Name | Register Symbol | Number of Bits | Access Size | Number of Access Cycles | | Related Function |
|--------------------------|---------------|--|--------------------|----------------|-------------|-------------------------|-------------|------------------|
| | | | | | | ICLK ≥ PCLK | ICLK < PCLK | |
| 0008 652Ch | MPU | Data-Hit Region Register | MHITD | 32 | 32 | 1 ICLK | | MPU |
| 0008 7010h to 0008 70FFh | ICU | Interrupt Request Registers 016 to 255 | IR016 to 255 | 8 | 8 | 2 ICLK | | ICUA |
| 0008 711Ah to 0008 71FFh | ICU | DTC Transfer Request Enable Registers 026 to 255 | DTCE026 to DTCE255 | 8 | 8 | 2 ICLK | | ICUA |
| 0008 7202h to 0008 721Fh | ICU | Interrupt Request Enable Registers 02 to 1F | IER02 to IER1F | 8 | 8 | 2 ICLK | | ICUA |
| 0008 72E0h | ICU | Software Interrupt Generation Register | SWINTR | 8 | 8 | 2 ICLK | | ICUA |
| 0008 72E1h | ICU | Software Interrupt 2 Generation Register | SWINT2R | 8 | 8 | 2 ICLK | | ICUA |
| 0008 72F0h | ICU | Fast Interrupt Set Register | FIR | 16 | 16 | 2 ICLK | | ICUA |
| 0008 7300h to 0008 73FFh | ICU | Interrupt Source Priority Registers 000 to 255 | IPR000 to IPR255 | 8 | 8 | 2 ICLK | | ICUA |
| 0008 7400h | ICU | DMAC Trigger Select Register 0 | DMRSR0 | 8 | 8 | 2 ICLK | | ICUA |
| 0008 7404h | ICU | DMAC Trigger Select Register 1 | DMRSR1 | 8 | 8 | 2 ICLK | | ICUA |
| 0008 7408h | ICU | DMAC Trigger Select Register 2 | DMRSR2 | 8 | 8 | 2 ICLK | | ICUA |
| 0008 740Ch | ICU | DMAC Trigger Select Register 3 | DMRSR3 | 8 | 8 | 2 ICLK | | ICUA |
| 0008 7410h | ICU | DMAC Trigger Select Register 4 | DMRSR4 | 8 | 8 | 2 ICLK | | ICUA |
| 0008 7414h | ICU | DMAC Trigger Select Register 5 | DMRSR5 | 8 | 8 | 2 ICLK | | ICUA |
| 0008 7418h | ICU | DMAC Trigger Select Register 6 | DMRSR6 | 8 | 8 | 2 ICLK | | ICUA |
| 0008 741Ch | ICU | DMAC Trigger Select Register 7 | DMRSR7 | 8 | 8 | 2 ICLK | | ICUA |
| 0008 7500h to 0008 750Fh | ICU | IRQ Control Registers 0 to 15 | IRQCR0 to 15 | 8 | 8 | 2 ICLK | | ICUA |
| 0008 7520h | ICU | IRQ Pin Digital Filter Enable Register 0 | IRQFLTE0 | 8 | 8 | 2 ICLK | | ICUA |
| 0008 7521h | ICU | IRQ Pin Digital Filter Enable Register 1 | IRQFLTE1 | 8 | 8 | 2 ICLK | | ICUA |
| 0008 7528h | ICU | IRQ Pin Digital Filter Setting Register 0 | IRQFLTC0 | 16 | 16 | 2 ICLK | | ICUA |
| 0008 752Ah | ICU | IRQ Pin Digital Filter Setting Register 1 | IRQFLTC1 | 16 | 16 | 2 ICLK | | ICUA |
| 0008 7580h | ICU | Non-Maskable Interrupt Status Register | NMISR | 8 | 8 | 2 ICLK | | ICUA |
| 0008 7581h | ICU | Non-Maskable Interrupt Enable Register | NMIER | 8 | 8 | 2 ICLK | | ICUA |
| 0008 7582h | ICU | Non-Maskable Interrupt Status Clear Register | NMICLR | 8 | 8 | 2 ICLK | | ICUA |
| 0008 7583h | ICU | NMI Pin Interrupt Control Register | NMICR | 8 | 8 | 2 ICLK | | ICUA |
| 0008 7590h | ICU | NMI Pin Digital Filter Enable Register | NMIFLTE | 8 | 8 | 2 ICLK | | ICUA |
| 0008 7594h | ICU | NMI Pin Digital Filter Setting Register | NMIFLTC | 8 | 8 | 2 ICLK | | ICUA |
| 0008 7600h | ICU | Group BE0 Interrupt Request Register | GRPBE0 | 32 | 32 | 2 ICLK to 1 PCLKB | 2 ICLK | ICUA |
| 0008 7630h | ICU | Group BL0 Interrupt Request Register | GRPBL0 | 32 | 32 | 2 ICLK to 1 PCLKB | 2 ICLK | ICUA |
| 0008 7634h | ICU | Group BL1 Interrupt Request Register | GRPBL1 | 32 | 32 | 2 ICLK to 1 PCLKB | 2 ICLK | ICUA |
| 0008 7640h | ICU | Group BE0 Interrupt Request Enable Register | GENBE0 | 32 | 32 | 2 ICLK to 1 PCLKB | 2 ICLK | ICUA |
| 0008 7670h | ICU | Group BL0 Interrupt Request Enable Register | GENBL0 | 32 | 32 | 2 ICLK to 1 PCLKB | 2 ICLK | ICUA |
| 0008 7674h | ICU | Group BL1 Interrupt Request Enable Register | GENBL1 | 32 | 32 | 2 ICLK to 1 PCLKB | 2 ICLK | ICUA |
| 0008 7680h | ICU | Group BE0 Interrupt Clear Register | GCRBE0 | 32 | 32 | 2 ICLK to 1 PCLKB | 2 ICLK | ICUA |
| 0008 7700h | ICU | Software Configurable Interrupt B Request Register 0 | PIBR0 | 8 | 8 | 2 ICLK to 1 PCLKB | 2 ICLK | ICUA |
| 0008 7701h | ICU | Software Configurable Interrupt B Request Register 1 | PIBR1 | 8 | 8 | 2 ICLK to 1 PCLKB | 2 ICLK | ICUA |
| 0008 7702h | ICU | Software Configurable Interrupt B Request Register 2 | PIBR2 | 8 | 8 | 2 ICLK to 1 PCLKB | 2 ICLK | ICUA |
| 0008 7703h | ICU | Software Configurable Interrupt B Request Register 3 | PIBR3 | 8 | 8 | 2 ICLK to 1 PCLKB | 2 ICLK | ICUA |
| 0008 7704h | ICU | Software Configurable Interrupt B Request Register 4 | PIBR4 | 8 | 8 | 2 ICLK to 1 PCLKB | 2 ICLK | ICUA |
| 0008 7705h | ICU | Software Configurable Interrupt B Request Register 5 | PIBR5 | 8 | 8 | 2 ICLK to 1 PCLKB | 2 ICLK | ICUA |
| 0008 7706h | ICU | Software Configurable Interrupt B Request Register 6 | PIBR6 | 8 | 8 | 2 ICLK to 1 PCLKB | 2 ICLK | ICUA |

Table 4.1 List of I/O Registers (Address Order) (9 / 67)

| Address | Module Symbol | Register Name | Register Symbol | Number of Bits | Access Size | Number of Access Cycles | | Related Function |
|------------|---------------|---|-----------------|----------------|-------------|-------------------------|-------------|------------------|
| | | | | | | ICLK \geq PCLK | ICLK < PCLK | |
| 0008 7707h | ICU | Software Configurable Interrupt B Request Register 7 | PIBR7 | 8 | 8 | 2 ICLK to 1 PCLKB | 2 ICLK | ICUA |
| 0008 7708h | ICU | Software Configurable Interrupt B Request Register 8 | PIBR8 | 8 | 8 | 2 ICLK to 1 PCLKB | 2 ICLK | ICUA |
| 0008 7709h | ICU | Software Configurable Interrupt B Request Register 9 | PIBR9 | 8 | 8 | 2 ICLK to 1 PCLKB | 2 ICLK | ICUA |
| 0008 770Ah | ICU | Software Configurable Interrupt B Request Register A | PIBRA | 8 | 8 | 2 ICLK to 1 PCLKB | 2 ICLK | ICUA |
| 0008 7780h | ICU | Software Configurable Interrupt B Source Select Register X128 | SLIBXR128 | 8 | 8 | 2 ICLK to 1 PCLKB | 2 ICLK | ICUA |
| 0008 7781h | ICU | Software Configurable Interrupt B Source Select Register X129 | SLIBXR129 | 8 | 8 | 2 ICLK to 1 PCLKB | 2 ICLK | ICUA |
| 0008 7782h | ICU | Software Configurable Interrupt B Source Select Register X130 | SLIBXR130 | 8 | 8 | 2 ICLK to 1 PCLKB | 2 ICLK | ICUA |
| 0008 7783h | ICU | Software Configurable Interrupt B Source Select Register X131 | SLIBXR131 | 8 | 8 | 2 ICLK to 1 PCLKB | 2 ICLK | ICUA |
| 0008 7784h | ICU | Software Configurable Interrupt B Source Select Register X132 | SLIBXR132 | 8 | 8 | 2 ICLK to 1 PCLKB | 2 ICLK | ICUA |
| 0008 7785h | ICU | Software Configurable Interrupt B Source Select Register X133 | SLIBXR133 | 8 | 8 | 2 ICLK to 1 PCLKB | 2 ICLK | ICUA |
| 0008 7786h | ICU | Software Configurable Interrupt B Source Select Register X134 | SLIBXR134 | 8 | 8 | 2 ICLK to 1 PCLKB | 2 ICLK | ICUA |
| 0008 7787h | ICU | Software Configurable Interrupt B Source Select Register X135 | SLIBXR135 | 8 | 8 | 2 ICLK to 1 PCLKB | 2 ICLK | ICUA |
| 0008 7788h | ICU | Software Configurable Interrupt B Source Select Register X136 | SLIBXR136 | 8 | 8 | 2 ICLK to 1 PCLKB | 2 ICLK | ICUA |
| 0008 7789h | ICU | Software Configurable Interrupt B Source Select Register X137 | SLIBXR137 | 8 | 8 | 2 ICLK to 1 PCLKB | 2 ICLK | ICUA |
| 0008 778Ah | ICU | Software Configurable Interrupt B Source Select Register X138 | SLIBXR138 | 8 | 8 | 2 ICLK to 1 PCLKB | 2 ICLK | ICUA |
| 0008 778Bh | ICU | Software Configurable Interrupt B Source Select Register X139 | SLIBXR139 | 8 | 8 | 2 ICLK to 1 PCLKB | 2 ICLK | ICUA |
| 0008 778Ch | ICU | Software Configurable Interrupt B Source Select Register X140 | SLIBXR140 | 8 | 8 | 2 ICLK to 1 PCLKB | 2 ICLK | ICUA |
| 0008 778Dh | ICU | Software Configurable Interrupt B Source Select Register X141 | SLIBXR141 | 8 | 8 | 2 ICLK to 1 PCLKB | 2 ICLK | ICUA |
| 0008 778Eh | ICU | Software Configurable Interrupt B Source Select Register X142 | SLIBXR142 | 8 | 8 | 2 ICLK to 1 PCLKB | 2 ICLK | ICUA |
| 0008 778Fh | ICU | Software Configurable Interrupt B Source Select Register X143 | SLIBXR143 | 8 | 8 | 2 ICLK to 1 PCLKB | 2 ICLK | ICUA |
| 0008 7790h | ICU | Software Configurable Interrupt B Source Select Register 144 | SLIBR144 | 8 | 8 | 2 ICLK to 1 PCLKB | 2 ICLK | ICUA |
| 0008 7791h | ICU | Software Configurable Interrupt B Source Select Register 145 | SLIBR145 | 8 | 8 | 2 ICLK to 1 PCLKB | 2 ICLK | ICUA |
| 0008 7792h | ICU | Software Configurable Interrupt B Source Select Register 146 | SLIBR146 | 8 | 8 | 2 ICLK to 1 PCLKB | 2 ICLK | ICUA |
| 0008 7793h | ICU | Software Configurable Interrupt B Source Select Register 147 | SLIBR147 | 8 | 8 | 2 ICLK to 1 PCLKB | 2 ICLK | ICUA |
| 0008 7794h | ICU | Software Configurable Interrupt B Source Select Register 148 | SLIBR148 | 8 | 8 | 2 ICLK to 1 PCLKB | 2 ICLK | ICUA |
| 0008 7795h | ICU | Software Configurable Interrupt B Source Select Register 149 | SLIBR149 | 8 | 8 | 2 ICLK to 1 PCLKB | 2 ICLK | ICUA |
| 0008 7796h | ICU | Software Configurable Interrupt B Source Select Register 150 | SLIBR150 | 8 | 8 | 2 ICLK to 1 PCLKB | 2 ICLK | ICUA |
| 0008 7797h | ICU | Software Configurable Interrupt B Source Select Register 151 | SLIBR151 | 8 | 8 | 2 ICLK to 1 PCLKB | 2 ICLK | ICUA |
| 0008 7798h | ICU | Software Configurable Interrupt B Source Select Register 152 | SLIBR152 | 8 | 8 | 2 ICLK to 1 PCLKB | 2 ICLK | ICUA |
| 0008 7799h | ICU | Software Configurable Interrupt B Source Select Register 153 | SLIBR153 | 8 | 8 | 2 ICLK to 1 PCLKB | 2 ICLK | ICUA |
| 0008 779Ah | ICU | Software Configurable Interrupt B Source Select Register 154 | SLIBR154 | 8 | 8 | 2 ICLK to 1 PCLKB | 2 ICLK | ICUA |
| 0008 779Bh | ICU | Software Configurable Interrupt B Source Select Register 155 | SLIBR155 | 8 | 8 | 2 ICLK to 1 PCLKB | 2 ICLK | ICUA |

Table 4.1 List of I/O Registers (Address Order) (10 / 67)

| Address | Module Symbol | Register Name | Register Symbol | Number of Bits | Access Size | Number of Access Cycles | | Related Function |
|------------|---------------|--|-----------------|----------------|-------------|-------------------------|----------------|------------------|
| | | | | | | ICLK \geq PCLKB | ICLK $<$ PCLKB | |
| 0008 779Ch | ICU | Software Configurable Interrupt B Source Select Register 156 | SLIBR156 | 8 | 8 | 2 ICLK to 1 PCLKB | 2 ICLK | ICUA |
| 0008 779Dh | ICU | Software Configurable Interrupt B Source Select Register 157 | SLIBR157 | 8 | 8 | 2 ICLK to 1 PCLKB | 2 ICLK | ICUA |
| 0008 779Eh | ICU | Software Configurable Interrupt B Source Select Register 158 | SLIBR158 | 8 | 8 | 2 ICLK to 1 PCLKB | 2 ICLK | ICUA |
| 0008 779Fh | ICU | Software Configurable Interrupt B Source Select Register 159 | SLIBR159 | 8 | 8 | 2 ICLK to 1 PCLKB | 2 ICLK | ICUA |
| 0008 77A0h | ICU | Software Configurable Interrupt B Source Select Register 160 | SLIBR160 | 8 | 8 | 2 ICLK to 1 PCLKB | 2 ICLK | ICUA |
| 0008 77A1h | ICU | Software Configurable Interrupt B Source Select Register 161 | SLIBR161 | 8 | 8 | 2 ICLK to 1 PCLKB | 2 ICLK | ICUA |
| 0008 77A2h | ICU | Software Configurable Interrupt B Source Select Register 162 | SLIBR162 | 8 | 8 | 2 ICLK to 1 PCLKB | 2 ICLK | ICUA |
| 0008 77A3h | ICU | Software Configurable Interrupt B Source Select Register 163 | SLIBR163 | 8 | 8 | 2 ICLK to 1 PCLKB | 2 ICLK | ICUA |
| 0008 77A4h | ICU | Software Configurable Interrupt B Source Select Register 164 | SLIBR164 | 8 | 8 | 2 ICLK to 1 PCLKB | 2 ICLK | ICUA |
| 0008 77A5h | ICU | Software Configurable Interrupt B Source Select Register 165 | SLIBR165 | 8 | 8 | 2 ICLK to 1 PCLKB | 2 ICLK | ICUA |
| 0008 77A6h | ICU | Software Configurable Interrupt B Source Select Register 166 | SLIBR166 | 8 | 8 | 2 ICLK to 1 PCLKB | 2 ICLK | ICUA |
| 0008 77A7h | ICU | Software Configurable Interrupt B Source Select Register 167 | SLIBR167 | 8 | 8 | 2 ICLK to 1 PCLKB | 2 ICLK | ICUA |
| 0008 77A8h | ICU | Software Configurable Interrupt B Source Select Register 168 | SLIBR168 | 8 | 8 | 2 ICLK to 1 PCLKB | 2 ICLK | ICUA |
| 0008 77A9h | ICU | Software Configurable Interrupt B Source Select Register 169 | SLIBR169 | 8 | 8 | 2 ICLK to 1 PCLKB | 2 ICLK | ICUA |
| 0008 77AAh | ICU | Software Configurable Interrupt B Source Select Register 170 | SLIBR170 | 8 | 8 | 2 ICLK to 1 PCLKB | 2 ICLK | ICUA |
| 0008 77ABh | ICU | Software Configurable Interrupt B Source Select Register 171 | SLIBR171 | 8 | 8 | 2 ICLK to 1 PCLKB | 2 ICLK | ICUA |
| 0008 77ACh | ICU | Software Configurable Interrupt B Source Select Register 172 | SLIBR172 | 8 | 8 | 2 ICLK to 1 PCLKB | 2 ICLK | ICUA |
| 0008 77ADh | ICU | Software Configurable Interrupt B Source Select Register 173 | SLIBR173 | 8 | 8 | 2 ICLK to 1 PCLKB | 2 ICLK | ICUA |
| 0008 77AEh | ICU | Software Configurable Interrupt B Source Select Register 174 | SLIBR174 | 8 | 8 | 2 ICLK to 1 PCLKB | 2 ICLK | ICUA |
| 0008 77AFh | ICU | Software Configurable Interrupt B Source Select Register 175 | SLIBR175 | 8 | 8 | 2 ICLK to 1 PCLKB | 2 ICLK | ICUA |
| 0008 77B0h | ICU | Software Configurable Interrupt B Source Select Register 176 | SLIBR176 | 8 | 8 | 2 ICLK to 1 PCLKB | 2 ICLK | ICUA |
| 0008 77B1h | ICU | Software Configurable Interrupt B Source Select Register 177 | SLIBR177 | 8 | 8 | 2 ICLK to 1 PCLKB | 2 ICLK | ICUA |
| 0008 77B2h | ICU | Software Configurable Interrupt B Source Select Register 178 | SLIBR178 | 8 | 8 | 2 ICLK to 1 PCLKB | 2 ICLK | ICUA |
| 0008 77B3h | ICU | Software Configurable Interrupt B Source Select Register 179 | SLIBR179 | 8 | 8 | 2 ICLK to 1 PCLKB | 2 ICLK | ICUA |
| 0008 77B4h | ICU | Software Configurable Interrupt B Source Select Register 180 | SLIBR180 | 8 | 8 | 2 ICLK to 1 PCLKB | 2 ICLK | ICUA |
| 0008 77B5h | ICU | Software Configurable Interrupt B Source Select Register 181 | SLIBR181 | 8 | 8 | 2 ICLK to 1 PCLKB | 2 ICLK | ICUA |
| 0008 77B6h | ICU | Software Configurable Interrupt B Source Select Register 182 | SLIBR182 | 8 | 8 | 2 ICLK to 1 PCLKB | 2 ICLK | ICUA |
| 0008 77B7h | ICU | Software Configurable Interrupt B Source Select Register 183 | SLIBR183 | 8 | 8 | 2 ICLK to 1 PCLKB | 2 ICLK | ICUA |
| 0008 77B8h | ICU | Software Configurable Interrupt B Source Select Register 184 | SLIBR184 | 8 | 8 | 2 ICLK to 1 PCLKB | 2 ICLK | ICUA |
| 0008 77B9h | ICU | Software Configurable Interrupt B Source Select Register 185 | SLIBR185 | 8 | 8 | 2 ICLK to 1 PCLKB | 2 ICLK | ICUA |
| 0008 77BAh | ICU | Software Configurable Interrupt B Source Select Register 186 | SLIBR186 | 8 | 8 | 2 ICLK to 1 PCLKB | 2 ICLK | ICUA |

Table 4.1 List of I/O Registers (Address Order) (11 / 67)

| Address | Module Symbol | Register Name | Register Symbol | Number of Bits | Access Size | Number of Access Cycles | | Related Function |
|------------|---------------|--|-----------------|----------------|-------------|-------------------------|---------------|------------------|
| | | | | | | ICLK \geq PCLK | ICLK $<$ PCLK | |
| 0008 77BBh | ICU | Software Configurable Interrupt B Source Select Register 187 | SLIBR187 | 8 | 8 | 2 ICLK to 1 PCLKB | 2 ICLK | ICUA |
| 0008 77BCh | ICU | Software Configurable Interrupt B Source Select Register 188 | SLIBR188 | 8 | 8 | 2 ICLK to 1 PCLKB | 2 ICLK | ICUA |
| 0008 77BDh | ICU | Software Configurable Interrupt B Source Select Register 189 | SLIBR189 | 8 | 8 | 2 ICLK to 1 PCLKB | 2 ICLK | ICUA |
| 0008 77BEh | ICU | Software Configurable Interrupt B Source Select Register 190 | SLIBR190 | 8 | 8 | 2 ICLK to 1 PCLKB | 2 ICLK | ICUA |
| 0008 77BFh | ICU | Software Configurable Interrupt B Source Select Register 191 | SLIBR191 | 8 | 8 | 2 ICLK to 1 PCLKB | 2 ICLK | ICUA |
| 0008 77C0h | ICU | Software Configurable Interrupt B Source Select Register 192 | SLIBR192 | 8 | 8 | 2 ICLK to 1 PCLKB | 2 ICLK | ICUA |
| 0008 77C1h | ICU | Software Configurable Interrupt B Source Select Register 193 | SLIBR193 | 8 | 8 | 2 ICLK to 1 PCLKB | 2 ICLK | ICUA |
| 0008 77C2h | ICU | Software Configurable Interrupt B Source Select Register 194 | SLIBR194 | 8 | 8 | 2 ICLK to 1 PCLKB | 2 ICLK | ICUA |
| 0008 77C3h | ICU | Software Configurable Interrupt B Source Select Register 195 | SLIBR195 | 8 | 8 | 2 ICLK to 1 PCLKB | 2 ICLK | ICUA |
| 0008 77C4h | ICU | Software Configurable Interrupt B Source Select Register 196 | SLIBR196 | 8 | 8 | 2 ICLK to 1 PCLKB | 2 ICLK | ICUA |
| 0008 77C5h | ICU | Software Configurable Interrupt B Source Select Register 197 | SLIBR197 | 8 | 8 | 2 ICLK to 1 PCLKB | 2 ICLK | ICUA |
| 0008 77C6h | ICU | Software Configurable Interrupt B Source Select Register 198 | SLIBR198 | 8 | 8 | 2 ICLK to 1 PCLKB | 2 ICLK | ICUA |
| 0008 77C7h | ICU | Software Configurable Interrupt B Source Select Register 199 | SLIBR199 | 8 | 8 | 2 ICLK to 1 PCLKB | 2 ICLK | ICUA |
| 0008 77C8h | ICU | Software Configurable Interrupt B Source Select Register 200 | SLIBR200 | 8 | 8 | 2 ICLK to 1 PCLKB | 2 ICLK | ICUA |
| 0008 77C9h | ICU | Software Configurable Interrupt B Source Select Register 201 | SLIBR201 | 8 | 8 | 2 ICLK to 1 PCLKB | 2 ICLK | ICUA |
| 0008 77CAh | ICU | Software Configurable Interrupt B Source Select Register 202 | SLIBR202 | 8 | 8 | 2 ICLK to 1 PCLKB | 2 ICLK | ICUA |
| 0008 77CBh | ICU | Software Configurable Interrupt B Source Select Register 203 | SLIBR203 | 8 | 8 | 2 ICLK to 1 PCLKB | 2 ICLK | ICUA |
| 0008 77CCh | ICU | Software Configurable Interrupt B Source Select Register 204 | SLIBR204 | 8 | 8 | 2 ICLK to 1 PCLKB | 2 ICLK | ICUA |
| 0008 77CDh | ICU | Software Configurable Interrupt B Source Select Register 205 | SLIBR205 | 8 | 8 | 2 ICLK to 1 PCLKB | 2 ICLK | ICUA |
| 0008 77CEh | ICU | Software Configurable Interrupt B Source Select Register 206 | SLIBR206 | 8 | 8 | 2 ICLK to 1 PCLKB | 2 ICLK | ICUA |
| 0008 77CFh | ICU | Software Configurable Interrupt B Source Select Register 207 | SLIBR207 | 8 | 8 | 2 ICLK to 1 PCLKB | 2 ICLK | ICUA |
| 0008 7830h | ICU | Group AL0 Interrupt Request Register | GRPAL0 | 32 | 32 | 2 ICLK to 1 PCLKA | 2 ICLK | ICUA |
| 0008 7834h | ICU | Group AL1 Interrupt Request Register | GRPAL1 | 32 | 32 | 2 ICLK to 1 PCLKA | 2 ICLK | ICUA |
| 0008 7870h | ICU | Group AL0 Interrupt Request Enable Register | GENAL0 | 32 | 32 | 2 ICLK to 1 PCLKA | 2 ICLK | ICUA |
| 0008 7874h | ICU | Group AL1 Interrupt Request Enable Register | GENAL1 | 32 | 32 | 2 ICLK to 1 PCLKA | 2 ICLK | ICUA |
| 0008 7900h | ICU | Software Configurable Interrupt A Request Register 0 | PIAR0 | 8 | 8 | 2 ICLK to 1 PCLKA | 2 ICLK | ICUA |
| 0008 7901h | ICU | Software Configurable Interrupt A Request Register 1 | PIAR1 | 8 | 8 | 2 ICLK to 1 PCLKA | 2 ICLK | ICUA |
| 0008 7902h | ICU | Software Configurable Interrupt A Request Register 2 | PIAR2 | 8 | 8 | 2 ICLK to 1 PCLKA | 2 ICLK | ICUA |
| 0008 7903h | ICU | Software Configurable Interrupt A Request Register 3 | PIAR3 | 8 | 8 | 2 ICLK to 1 PCLKA | 2 ICLK | ICUA |
| 0008 7904h | ICU | Software Configurable Interrupt A Request Register 4 | PIAR4 | 8 | 8 | 2 ICLK to 1 PCLKA | 2 ICLK | ICUA |
| 0008 7905h | ICU | Software Configurable Interrupt A Request Register 5 | PIAR5 | 8 | 8 | 2 ICLK to 1 PCLKA | 2 ICLK | ICUA |
| 0008 7906h | ICU | Software Configurable Interrupt A Request Register 6 | PIAR6 | 8 | 8 | 2 ICLK to 1 PCLKA | 2 ICLK | ICUA |
| 0008 7907h | ICU | Software Configurable Interrupt A Request Register 7 | PIAR7 | 8 | 8 | 2 ICLK to 1 PCLKA | 2 ICLK | ICUA |

Table 4.1 List of I/O Registers (Address Order) (12 / 67)

| Address | Module Symbol | Register Name | Register Symbol | Number of Bits | Access Size | Number of Access Cycles | | Related Function |
|------------|---------------|--|-----------------|----------------|-------------|-------------------------|-------------|------------------|
| | | | | | | ICLK \geq PCLK | ICLK < PCLK | |
| 0008 7908h | ICU | Software Configurable Interrupt A Request Register 8 | PIAR8 | 8 | 8 | 2 ICLK to 1 PCLKA | 2 ICLK | ICUA |
| 0008 7909h | ICU | Software Configurable Interrupt A Request Register 9 | PIAR9 | 8 | 8 | 2 ICLK to 1 PCLKA | 2 ICLK | ICUA |
| 0008 790Ah | ICU | Software Configurable Interrupt A Request Register A | PIARA | 8 | 8 | 2 ICLK to 1 PCLKA | 2 ICLK | ICUA |
| 0008 790Bh | ICU | Software Configurable Interrupt A Request Register B | PIARB | 8 | 8 | 2 ICLK to 1 PCLKA | 2 ICLK | ICUA |
| 0008 79D0h | ICU | Software Configurable Interrupt A Source Select Register 208 | SLIAR208 | 8 | 8 | 2 ICLK to 1 PCLKA | 2 ICLK | ICUA |
| 0008 79D1h | ICU | Software Configurable Interrupt A Source Select Register 209 | SLIAR209 | 8 | 8 | 2 ICLK to 1 PCLKA | 2 ICLK | ICUA |
| 0008 79D2h | ICU | Software Configurable Interrupt A Source Select Register 210 | SLIAR210 | 8 | 8 | 2 ICLK to 1 PCLKA | 2 ICLK | ICUA |
| 0008 79D3h | ICU | Software Configurable Interrupt A Source Select Register 211 | SLIAR211 | 8 | 8 | 2 ICLK to 1 PCLKA | 2 ICLK | ICUA |
| 0008 79D4h | ICU | Software Configurable Interrupt A Source Select Register 212 | SLIAR212 | 8 | 8 | 2 ICLK to 1 PCLKA | 2 ICLK | ICUA |
| 0008 79D5h | ICU | Software Configurable Interrupt A Source Select Register 213 | SLIAR213 | 8 | 8 | 2 ICLK to 1 PCLKA | 2 ICLK | ICUA |
| 0008 79D6h | ICU | Software Configurable Interrupt A Source Select Register 214 | SLIAR214 | 8 | 8 | 2 ICLK to 1 PCLKA | 2 ICLK | ICUA |
| 0008 79D7h | ICU | Software Configurable Interrupt A Source Select Register 215 | SLIAR215 | 8 | 8 | 2 ICLK to 1 PCLKA | 2 ICLK | ICUA |
| 0008 79D8h | ICU | Software Configurable Interrupt A Source Select Register 216 | SLIAR216 | 8 | 8 | 2 ICLK to 1 PCLKA | 2 ICLK | ICUA |
| 0008 79D9h | ICU | Software Configurable Interrupt A Source Select Register 217 | SLIAR217 | 8 | 8 | 2 ICLK to 1 PCLKA | 2 ICLK | ICUA |
| 0008 79DAh | ICU | Software Configurable Interrupt A Source Select Register 218 | SLIAR218 | 8 | 8 | 2 ICLK to 1 PCLKA | 2 ICLK | ICUA |
| 0008 79DBh | ICU | Software Configurable Interrupt A Source Select Register 219 | SLIAR219 | 8 | 8 | 2 ICLK to 1 PCLKA | 2 ICLK | ICUA |
| 0008 79DCh | ICU | Software Configurable Interrupt A Source Select Register 220 | SLIAR220 | 8 | 8 | 2 ICLK to 1 PCLKA | 2 ICLK | ICUA |
| 0008 79DDh | ICU | Software Configurable Interrupt A Source Select Register 221 | SLIAR221 | 8 | 8 | 2 ICLK to 1 PCLKA | 2 ICLK | ICUA |
| 0008 79DEh | ICU | Software Configurable Interrupt A Source Select Register 222 | SLIAR222 | 8 | 8 | 2 ICLK to 1 PCLKA | 2 ICLK | ICUA |
| 0008 79DFh | ICU | Software Configurable Interrupt A Source Select Register 223 | SLIAR223 | 8 | 8 | 2 ICLK to 1 PCLKA | 2 ICLK | ICUA |
| 0008 79E0h | ICU | Software Configurable Interrupt A Source Select Register 224 | SLIAR224 | 8 | 8 | 2 ICLK to 1 PCLKA | 2 ICLK | ICUA |
| 0008 79E1h | ICU | Software Configurable Interrupt A Source Select Register 225 | SLIAR225 | 8 | 8 | 2 ICLK to 1 PCLKA | 2 ICLK | ICUA |
| 0008 79E2h | ICU | Software Configurable Interrupt A Source Select Register 226 | SLIAR226 | 8 | 8 | 2 ICLK to 1 PCLKA | 2 ICLK | ICUA |
| 0008 79E3h | ICU | Software Configurable Interrupt A Source Select Register 227 | SLIAR227 | 8 | 8 | 2 ICLK to 1 PCLKA | 2 ICLK | ICUA |
| 0008 79E4h | ICU | Software Configurable Interrupt A Source Select Register 228 | SLIAR228 | 8 | 8 | 2 ICLK to 1 PCLKA | 2 ICLK | ICUA |
| 0008 79E5h | ICU | Software Configurable Interrupt A Source Select Register 229 | SLIAR229 | 8 | 8 | 2 ICLK to 1 PCLKA | 2 ICLK | ICUA |
| 0008 79E6h | ICU | Software Configurable Interrupt A Source Select Register 230 | SLIAR230 | 8 | 8 | 2 ICLK to 1 PCLKA | 2 ICLK | ICUA |
| 0008 79E7h | ICU | Software Configurable Interrupt A Source Select Register 231 | SLIAR231 | 8 | 8 | 2 ICLK to 1 PCLKA | 2 ICLK | ICUA |
| 0008 79E8h | ICU | Software Configurable Interrupt A Source Select Register 232 | SLIAR232 | 8 | 8 | 2 ICLK to 1 PCLKA | 2 ICLK | ICUA |
| 0008 79E9h | ICU | Software Configurable Interrupt A Source Select Register 233 | SLIAR233 | 8 | 8 | 2 ICLK to 1 PCLKA | 2 ICLK | ICUA |
| 0008 79EAh | ICU | Software Configurable Interrupt A Source Select Register 234 | SLIAR234 | 8 | 8 | 2 ICLK to 1 PCLKA | 2 ICLK | ICUA |
| 0008 79EBh | ICU | Software Configurable Interrupt A Source Select Register 235 | SLIAR235 | 8 | 8 | 2 ICLK to 1 PCLKA | 2 ICLK | ICUA |

Table 4.1 List of I/O Registers (Address Order) (13 / 67)

| Address | Module Symbol | Register Name | Register Symbol | Number of Bits | Access Size | Number of Access Cycles | | Related Function |
|------------|---------------|---|-----------------|----------------|-------------|-------------------------|-------------|------------------|
| | | | | | | ICLK ≥ PCLK | ICLK < PCLK | |
| 0008 79ECh | ICU | Software Configurable Interrupt A Source Select Register 236 | SLIAR236 | 8 | 8 | 2 ICLK to 1 PCLKA | 2 ICLK | ICUA |
| 0008 79EDh | ICU | Software Configurable Interrupt A Source Select Register 237 | SLIAR237 | 8 | 8 | 2 ICLK to 1 PCLKA | 2 ICLK | ICUA |
| 0008 79EEh | ICU | Software Configurable Interrupt A Source Select Register 238 | SLIAR238 | 8 | 8 | 2 ICLK to 1 PCLKA | 2 ICLK | ICUA |
| 0008 79EFh | ICU | Software Configurable Interrupt A Source Select Register 239 | SLIAR239 | 8 | 8 | 2 ICLK to 1 PCLKA | 2 ICLK | ICUA |
| 0008 79F0h | ICU | Software Configurable Interrupt A Source Select Register 240 | SLIAR240 | 8 | 8 | 2 ICLK to 1 PCLKA | 2 ICLK | ICUA |
| 0008 79F1h | ICU | Software Configurable Interrupt A Source Select Register 241 | SLIAR241 | 8 | 8 | 2 ICLK to 1 PCLKA | 2 ICLK | ICUA |
| 0008 79F2h | ICU | Software Configurable Interrupt A Source Select Register 242 | SLIAR242 | 8 | 8 | 2 ICLK to 1 PCLKA | 2 ICLK | ICUA |
| 0008 79F3h | ICU | Software Configurable Interrupt A Source Select Register 243 | SLIAR243 | 8 | 8 | 2 ICLK to 1 PCLKA | 2 ICLK | ICUA |
| 0008 79F4h | ICU | Software Configurable Interrupt A Source Select Register 244 | SLIAR244 | 8 | 8 | 2 ICLK to 1 PCLKA | 2 ICLK | ICUA |
| 0008 79F5h | ICU | Software Configurable Interrupt A Source Select Register 245 | SLIAR245 | 8 | 8 | 2 ICLK to 1 PCLKA | 2 ICLK | ICUA |
| 0008 79F6h | ICU | Software Configurable Interrupt A Source Select Register 246 | SLIAR246 | 8 | 8 | 2 ICLK to 1 PCLKA | 2 ICLK | ICUA |
| 0008 79F7h | ICU | Software Configurable Interrupt A Source Select Register 247 | SLIAR247 | 8 | 8 | 2 ICLK to 1 PCLKA | 2 ICLK | ICUA |
| 0008 79F8h | ICU | Software Configurable Interrupt A Source Select Register 248 | SLIAR248 | 8 | 8 | 2 ICLK to 1 PCLKA | 2 ICLK | ICUA |
| 0008 79F9h | ICU | Software Configurable Interrupt A Source Select Register 249 | SLIAR249 | 8 | 8 | 2 ICLK to 1 PCLKA | 2 ICLK | ICUA |
| 0008 79FAh | ICU | Software Configurable Interrupt A Source Select Register 250 | SLIAR250 | 8 | 8 | 2 ICLK to 1 PCLKA | 2 ICLK | ICUA |
| 0008 79FBh | ICU | Software Configurable Interrupt A Source Select Register 251 | SLIAR251 | 8 | 8 | 2 ICLK to 1 PCLKA | 2 ICLK | ICUA |
| 0008 79FCh | ICU | Software Configurable Interrupt A Source Select Register 252 | SLIAR252 | 8 | 8 | 2 ICLK to 1 PCLKA | 2 ICLK | ICUA |
| 0008 79FDh | ICU | Software Configurable Interrupt A Source Select Register 253 | SLIAR253 | 8 | 8 | 2 ICLK to 1 PCLKA | 2 ICLK | ICUA |
| 0008 79FEh | ICU | Software Configurable Interrupt A Source Select Register 254 | SLIAR254 | 8 | 8 | 2 ICLK to 1 PCLKA | 2 ICLK | ICUA |
| 0008 79FFh | ICU | Software Configurable Interrupt A Source Select Register 255 | SLIAR255 | 8 | 8 | 2 ICLK to 1 PCLKA | 2 ICLK | ICUA |
| 0008 7A00h | ICU | Software Configurable Interrupt Source Select Register Write Protect Register | SLIPRCR | 8 | 8 | 2 ICLK to 1 PCLKA/B | 2 ICLK | ICUA |
| 0008 7A01h | ICU | EXDMAC Trigger Select Register | SELEXDR | 8 | 8 | 2 ICLK to 1 PCLKA/B | 2 ICLK | ICUA |
| 0008 8000h | CMT | Compare Match Timer Start Register 0 | CMSTR0 | 16 | 16 | 2, 3 PCLKB | 2 ICLK | CMT |
| 0008 8002h | CMT0 | Compare Match Timer Control Register | CMCR | 16 | 16 | 2, 3 PCLKB | 2 ICLK | CMT |
| 0008 8004h | CMT0 | Compare Match Counter | CMCNT | 16 | 16 | 2, 3 PCLKB | 2 ICLK | CMT |
| 0008 8006h | CMT0 | Compare Match Constant Register | CMCOR | 16 | 16 | 2, 3 PCLKB | 2 ICLK | CMT |
| 0008 8008h | CMT1 | Compare Match Timer Control Register | CMCR | 16 | 16 | 2, 3 PCLKB | 2 ICLK | CMT |
| 0008 800Ah | CMT1 | Compare Match Counter | CMCNT | 16 | 16 | 2, 3 PCLKB | 2 ICLK | CMT |
| 0008 800Ch | CMT1 | Compare Match Constant Register | CMCOR | 16 | 16 | 2, 3 PCLKB | 2 ICLK | CMT |
| 0008 8010h | CMT | Compare Match Timer Start Register 1 | CMSTR1 | 16 | 16 | 2, 3 PCLKB | 2 ICLK | CMT |
| 0008 8012h | CMT2 | Compare Match Timer Control Register | CMCR | 16 | 16 | 2, 3 PCLKB | 2 ICLK | CMT |
| 0008 8014h | CMT2 | Compare Match Counter | CMCNT | 16 | 16 | 2, 3 PCLKB | 2 ICLK | CMT |
| 0008 8016h | CMT2 | Compare Match Constant Register | CMCOR | 16 | 16 | 2, 3 PCLKB | 2 ICLK | CMT |
| 0008 8018h | CMT3 | Compare Match Timer Control Register | CMCR | 16 | 16 | 2, 3 PCLKB | 2 ICLK | CMT |
| 0008 801Ah | CMT3 | Compare Match Counter | CMCNT | 16 | 16 | 2, 3 PCLKB | 2 ICLK | CMT |
| 0008 801Ch | CMT3 | Compare Match Constant Register | CMCOR | 16 | 16 | 2, 3 PCLKB | 2 ICLK | CMT |
| 0008 8020h | WDT | WDT Refresh Register | WDTRR | 8 | 8 | 2, 3 PCLKB | 2 ICLK | WDTA |

Table 4.1 List of I/O Registers (Address Order) (14 / 67)

| Address | Module Symbol | Register Name | Register Symbol | Number of Bits | Access Size | Number of Access Cycles | | Related Function |
|------------|---------------|--|-----------------|----------------|-------------|-------------------------|-------------|------------------|
| | | | | | | ICLK ≥ PCLK | ICLK < PCLK | |
| 0008 8022h | WDT | WDT Control Register | WDTCCR | 16 | 16 | 2, 3 PCLKB | 2 ICLK | WDTA |
| 0008 8024h | WDT | WDT Status Register | WDTSR | 16 | 16 | 2, 3 PCLKB | 2 ICLK | WDTA |
| 0008 8026h | WDT | WDT Reset Control Register | WDTRCR | 8 | 8 | 2, 3 PCLKB | 2 ICLK | WDTA |
| 0008 8030h | IWDT | IWDT Refresh Register | IWDTRR | 8 | 8 | 2, 3 PCLKB | 2 ICLK | IWDTa |
| 0008 8032h | IWDT | IWDT Control Register | IWDTCR | 16 | 16 | 2, 3 PCLKB | 2 ICLK | IWDTa |
| 0008 8034h | IWDT | IWDT Status Register | IWDTSR | 16 | 16 | 2, 3 PCLKB | 2 ICLK | IWDTa |
| 0008 8036h | IWDT | IWDT Reset Control Register | IWDTRCR | 8 | 8 | 2, 3 PCLKB | 2 ICLK | IWDTa |
| 0008 8038h | IWDT | IWDT Count Stop Control Register | IWDCSTPR | 8 | 8 | 2, 3 PCLKB | 2 ICLK | IWDTa |
| 0008 8040h | DA | D/A Data Register 0 | DADR0 | 16 | 16 | 2, 3 PCLKB | 2 ICLK | R12DA |
| 0008 8042h | DA | D/A Data Register 1 | DADR1 | 16 | 16 | 2, 3 PCLKB | 2 ICLK | R12DA |
| 0008 8044h | DA | D/A Control Register | DACR | 8 | 8 | 2, 3 PCLKB | 2 ICLK | R12DA |
| 0008 8045h | DA | DADRm Format Select Register | DADPR | 8 | 8 | 2, 3 PCLKB | 2 ICLK | R12DA |
| 0008 8046h | DA | D/A A/D Synchronous Start Control Register | DAADSCR | 8 | 8 | 2, 3 PCLKB | 2 ICLK | R12DA |
| 0008 8048h | DA | D/A Output Amplifier Control Register | DAAMPCR | 8 | 8 | 2, 3 PCLKB | 2 ICLK | R12DA |
| 0008 8100h | TPUA | Timer Start Register | TSTR | 8 | 8 | 2, 3 PCLKB | 2 ICLK | TPUa |
| 0008 8101h | TPUA | Timer Synchronous Register | TSYR | 8 | 8 | 2, 3 PCLKB | 2 ICLK | TPUa |
| 0008 8108h | TPU0 | Noise Filter Control Register | NFCR | 8 | 8 | 2, 3 PCLKB | 2 ICLK | TPUa |
| 0008 8109h | TPU1 | Noise Filter Control Register | NFCR | 8 | 8 | 2, 3 PCLKB | 2 ICLK | TPUa |
| 0008 810Ah | TPU2 | Noise Filter Control Register | NFCR | 8 | 8 | 2, 3 PCLKB | 2 ICLK | TPUa |
| 0008 810Bh | TPU3 | Noise Filter Control Register | NFCR | 8 | 8 | 2, 3 PCLKB | 2 ICLK | TPUa |
| 0008 810Ch | TPU4 | Noise Filter Control Register | NFCR | 8 | 8 | 2, 3 PCLKB | 2 ICLK | TPUa |
| 0008 810Dh | TPU5 | Noise Filter Control Register | NFCR | 8 | 8 | 2, 3 PCLKB | 2 ICLK | TPUa |
| 0008 8110h | TPU0 | Timer Control Register | TCR | 8 | 8 | 2, 3 PCLKB | 2 ICLK | TPUa |
| 0008 8111h | TPU0 | Timer Mode Register | TMDR | 8 | 8 | 2, 3 PCLKB | 2 ICLK | TPUa |
| 0008 8112h | TPU0 | Timer I/O Control Register H | TIORH | 8 | 8 | 2, 3 PCLKB | 2 ICLK | TPUa |
| 0008 8113h | TPU0 | Timer I/O Control Register L | TIORL | 8 | 8 | 2, 3 PCLKB | 2 ICLK | TPUa |
| 0008 8114h | TPU0 | Timer Interrupt Enable Register | TIER | 8 | 8 | 2, 3 PCLKB | 2 ICLK | TPUa |
| 0008 8115h | TPU0 | Timer Status Register | TSR | 8 | 8 | 2, 3 PCLKB | 2 ICLK | TPUa |
| 0008 8116h | TPU0 | Timer Counter | TCNT | 16 | 16 | 2, 3 PCLKB | 2 ICLK | TPUa |
| 0008 8118h | TPU0 | Timer General Register A | TGRA | 16 | 16 | 2, 3 PCLKB | 2 ICLK | TPUa |
| 0008 811Ah | TPU0 | Timer General Register B | TGRB | 16 | 16 | 2, 3 PCLKB | 2 ICLK | TPUa |
| 0008 811Ch | TPU0 | Timer General Register C | TGRC | 16 | 16 | 2, 3 PCLKB | 2 ICLK | TPUa |
| 0008 811Eh | TPU0 | Timer General Register D | TGRD | 16 | 16 | 2, 3 PCLKB | 2 ICLK | TPUa |
| 0008 8120h | TPU1 | Timer Control Register | TCR | 8 | 8 | 2, 3 PCLKB | 2 ICLK | TPUa |
| 0008 8121h | TPU1 | Timer Mode Register | TMDR | 8 | 8 | 2, 3 PCLKB | 2 ICLK | TPUa |
| 0008 8122h | TPU1 | Timer I/O Control Register | TIOR | 8 | 8 | 2, 3 PCLKB | 2 ICLK | TPUa |
| 0008 8124h | TPU1 | Timer Interrupt Enable Register | TIER | 8 | 8 | 2, 3 PCLKB | 2 ICLK | TPUa |
| 0008 8125h | TPU1 | Timer Status Register | TSR | 8 | 8 | 2, 3 PCLKB | 2 ICLK | TPUa |
| 0008 8126h | TPU1 | Timer Counter | TCNT | 16 | 16 | 2, 3 PCLKB | 2 ICLK | TPUa |
| 0008 8128h | TPU1 | Timer General Register A | TGRA | 16 | 16 | 2, 3 PCLKB | 2 ICLK | TPUa |
| 0008 812Ah | TPU1 | Timer General Register B | TGRB | 16 | 16 | 2, 3 PCLKB | 2 ICLK | TPUa |
| 0008 8130h | TPU2 | Timer Control Register | TCR | 8 | 8 | 2, 3 PCLKB | 2 ICLK | TPUa |
| 0008 8131h | TPU2 | Timer Mode Register | TMDR | 8 | 8 | 2, 3 PCLKB | 2 ICLK | TPUa |
| 0008 8132h | TPU2 | Timer I/O Control Register | TIOR | 8 | 8 | 2, 3 PCLKB | 2 ICLK | TPUa |
| 0008 8134h | TPU2 | Timer Interrupt Enable Register | TIER | 8 | 8 | 2, 3 PCLKB | 2 ICLK | TPUa |
| 0008 8135h | TPU2 | Timer Status Register | TSR | 8 | 8 | 2, 3 PCLKB | 2 ICLK | TPUa |
| 0008 8136h | TPU2 | Timer Counter | TCNT | 16 | 16 | 2, 3 PCLKB | 2 ICLK | TPUa |
| 0008 8138h | TPU2 | Timer General Register A | TGRA | 16 | 16 | 2, 3 PCLKB | 2 ICLK | TPUa |
| 0008 813Ah | TPU2 | Timer General Register B | TGRB | 16 | 16 | 2, 3 PCLKB | 2 ICLK | TPUa |
| 0008 8140h | TPU3 | Timer Control Register | TCR | 8 | 8 | 2, 3 PCLKB | 2 ICLK | TPUa |

Table 4.1 List of I/O Registers (Address Order) (15 / 67)

| Address | Module Symbol | Register Name | Register Symbol | Number of Bits | Access Size | Number of Access Cycles | | Related Function |
|------------|---------------|---------------------------------|-----------------|----------------|-------------|-------------------------|-------------|------------------|
| | | | | | | ICLK ≥ PCLK | ICLK < PCLK | |
| 0008 8141h | TPU3 | Timer Mode Register | TMDR | 8 | 8 | 2, 3 PCLKB | 2 ICLK | TPUa |
| 0008 8142h | TPU3 | Timer I/O Control Register H | TIORH | 8 | 8 | 2, 3 PCLKB | 2 ICLK | TPUa |
| 0008 8143h | TPU3 | Timer I/O Control Register L | TIORL | 8 | 8 | 2, 3 PCLKB | 2 ICLK | TPUa |
| 0008 8144h | TPU3 | Timer Interrupt Enable Register | TIER | 8 | 8 | 2, 3 PCLKB | 2 ICLK | TPUa |
| 0008 8145h | TPU3 | Timer Status Register | TSR | 8 | 8 | 2, 3 PCLKB | 2 ICLK | TPUa |
| 0008 8146h | TPU3 | Timer Counter | TCNT | 16 | 16 | 2, 3 PCLKB | 2 ICLK | TPUa |
| 0008 8148h | TPU3 | Timer General Register A | TGRA | 16 | 16 | 2, 3 PCLKB | 2 ICLK | TPUa |
| 0008 814Ah | TPU3 | Timer General Register B | TGRB | 16 | 16 | 2, 3 PCLKB | 2 ICLK | TPUa |
| 0008 814Ch | TPU3 | Timer General Register C | TGRC | 16 | 16 | 2, 3 PCLKB | 2 ICLK | TPUa |
| 0008 814Eh | TPU3 | Timer General Register D | TGRD | 16 | 16 | 2, 3 PCLKB | 2 ICLK | TPUa |
| 0008 8150h | TPU4 | Timer Control Register | TCR | 8 | 8 | 2, 3 PCLKB | 2 ICLK | TPUa |
| 0008 8151h | TPU4 | Timer Mode Register | TMDR | 8 | 8 | 2, 3 PCLKB | 2 ICLK | TPUa |
| 0008 8152h | TPU4 | Timer I/O Control Register | TIOR | 8 | 8 | 2, 3 PCLKB | 2 ICLK | TPUa |
| 0008 8154h | TPU4 | Timer Interrupt Enable Register | TIER | 8 | 8 | 2, 3 PCLKB | 2 ICLK | TPUa |
| 0008 8155h | TPU4 | Timer Status Register | TSR | 8 | 8 | 2, 3 PCLKB | 2 ICLK | TPUa |
| 0008 8156h | TPU4 | Timer Counter | TCNT | 16 | 16 | 2, 3 PCLKB | 2 ICLK | TPUa |
| 0008 8158h | TPU4 | Timer General Register A | TGRA | 16 | 16 | 2, 3 PCLKB | 2 ICLK | TPUa |
| 0008 815Ah | TPU4 | Timer General Register B | TGRB | 16 | 16 | 2, 3 PCLKB | 2 ICLK | TPUa |
| 0008 8160h | TPU5 | Timer Control Register | TCR | 8 | 8 | 2, 3 PCLKB | 2 ICLK | TPUa |
| 0008 8161h | TPU5 | Timer Mode Register | TMDR | 8 | 8 | 2, 3 PCLKB | 2 ICLK | TPUa |
| 0008 8162h | TPU5 | Timer I/O Control Register | TIOR | 8 | 8 | 2, 3 PCLKB | 2 ICLK | TPUa |
| 0008 8164h | TPU5 | Timer Interrupt Enable Register | TIER | 8 | 8 | 2, 3 PCLKB | 2 ICLK | TPUa |
| 0008 8165h | TPU5 | Timer Status Register | TSR | 8 | 8 | 2, 3 PCLKB | 2 ICLK | TPUa |
| 0008 8166h | TPU5 | Timer Counter | TCNT | 16 | 16 | 2, 3 PCLKB | 2 ICLK | TPUa |
| 0008 8168h | TPU5 | Timer General Register A | TGRA | 16 | 16 | 2, 3 PCLKB | 2 ICLK | TPUa |
| 0008 816Ah | TPU5 | Timer General Register B | TGRB | 16 | 16 | 2, 3 PCLKB | 2 ICLK | TPUa |
| 0008 81E6h | PPG0 | PPG Output Control Register | PCR | 8 | 8 | 2, 3 PCLKB | 2 ICLK | PPG |
| 0008 81E7h | PPG0 | PPG Output Mode Register | PMR | 8 | 8 | 2, 3 PCLKB | 2 ICLK | PPG |
| 0008 81E8h | PPG0 | Next Data Enable Registers H | NDERH | 8 | 8 | 2, 3 PCLKB | 2 ICLK | PPG |
| 0008 81E9h | PPG0 | Next Data Enable Registers L | NDERL | 8 | 8 | 2, 3 PCLKB | 2 ICLK | PPG |
| 0008 81EAh | PPG0 | Output Data Registers H | PODRH | 8 | 8 | 2, 3 PCLKB | 2 ICLK | PPG |
| 0008 81EBh | PPG0 | Output Data Registers L | PODRL | 8 | 8 | 2, 3 PCLKB | 2 ICLK | PPG |
| 0008 81ECh | PPG0 | Next Data Registers H*1 | NDRH | 8 | 8 | 2, 3 PCLKB | 2 ICLK | PPG |
| 0008 81EDh | PPG0 | Next Data Registers L*2 | NDRL | 8 | 8 | 2, 3 PCLKB | 2 ICLK | PPG |
| 0008 81EEh | PPG0 | Next Data Registers H*1 | NDRH2 | 8 | 8 | 2, 3 PCLKB | 2 ICLK | PPG |
| 0008 81EFh | PPG0 | Next Data Registers L*2 | NDRL2 | 8 | 8 | 2, 3 PCLKB | 2 ICLK | PPG |
| 0008 81F0h | PPG1 | PPG Trigger Select Register | PTRSLR | 8 | 8 | 2, 3 PCLKB | 2 ICLK | PPG |
| 0008 81F6h | PPG1 | PPG Output Control Register | PCR | 8 | 8 | 2, 3 PCLKB | 2 ICLK | PPG |
| 0008 81F7h | PPG1 | PPG Output Mode Register | PMR | 8 | 8 | 2, 3 PCLKB | 2 ICLK | PPG |
| 0008 81F8h | PPG1 | Next Data Enable Registers H | NDERH | 8 | 8 | 2, 3 PCLKB | 2 ICLK | PPG |
| 0008 81F9h | PPG1 | Next Data Enable Registers L | NDERL | 8 | 8 | 2, 3 PCLKB | 2 ICLK | PPG |
| 0008 81FAh | PPG1 | Output Data Registers H | PODRH | 8 | 8 | 2, 3 PCLKB | 2 ICLK | PPG |
| 0008 81FBh | PPG1 | Output Data Registers L | PODRL | 8 | 8 | 2, 3 PCLKB | 2 ICLK | PPG |
| 0008 81FCh | PPG1 | Next Data Registers H*3 | NDRH | 8 | 8 | 2, 3 PCLKB | 2 ICLK | PPG |
| 0008 81FDh | PPG1 | Next Data Registers L*4 | NDRL | 8 | 8 | 2, 3 PCLKB | 2 ICLK | PPG |
| 0008 81FEh | PPG1 | Next Data Registers H*3 | NDRH2 | 8 | 8 | 2, 3 PCLKB | 2 ICLK | PPG |
| 0008 81FFh | PPG1 | Next Data Registers L*4 | NDRL2 | 8 | 8 | 2, 3 PCLKB | 2 ICLK | PPG |
| 0008 8200h | TMR0 | Timer Control Register | TCR | 8 | 8 | 2, 3 PCLKB | 2 ICLK | TMR |
| 0008 8201h | TMR1 | Timer Control Register | TCR | 8 | 8 | 2, 3 PCLKB | 2 ICLK | TMR |
| 0008 8202h | TMR0 | Timer Control/Status Register | TCSR | 8 | 8 | 2, 3 PCLKB | 2 ICLK | TMR |

Table 4.1 List of I/O Registers (Address Order) (16 / 67)

| Address | Module Symbol | Register Name | Register Symbol | Number of Bits | Access Size | Number of Access Cycles | | Related Function |
|------------|---------------|--|-----------------|----------------|-------------|-------------------------|-------------|------------------|
| | | | | | | ICLK ≥ PCLK | ICLK < PCLK | |
| 0008 8203h | TMR1 | Timer Control/Status Register | TCSR | 8 | 8 | 2, 3 PCLKB | 2 ICLK | TMR |
| 0008 8204h | TMR0 | Time Constant Register A | TCORA | 8 | 8 | 2, 3 PCLKB | 2 ICLK | TMR |
| 0008 8204h | TMR01 | Time Constant Register A | TCORA | 16 | 16 | 2, 3 PCLKB | 2 ICLK | TMR |
| 0008 8205h | TMR1 | Time Constant Register A | TCORA | 8 | 8 | 2, 3 PCLKB | 2 ICLK | TMR |
| 0008 8206h | TMR0 | Time Constant Register B | TCORB | 8 | 8 | 2, 3 PCLKB | 2 ICLK | TMR |
| 0008 8206h | TMR01 | Time Constant Register B | TCORB | 16 | 16 | 2, 3 PCLKB | 2 ICLK | TMR |
| 0008 8207h | TMR1 | Time Constant Register B | TCORB | 8 | 8 | 2, 3 PCLKB | 2 ICLK | TMR |
| 0008 8208h | TMR0 | Timer Counter | TCNT | 8 | 8 | 2, 3 PCLKB | 2 ICLK | TMR |
| 0008 8208h | TMR01 | Timer Counter | TCNT | 16 | 16 | 2, 3 PCLKB | 2 ICLK | TMR |
| 0008 8209h | TMR1 | Timer Counter | TCNT | 8 | 8 | 2, 3 PCLKB | 2 ICLK | TMR |
| 0008 820Ah | TMR0 | Timer Counter Control Register | TCCR | 8 | 8 | 2, 3 PCLKB | 2 ICLK | TMR |
| 0008 820Ah | TMR01 | Timer Counter Control Register | TCCR | 16 | 16 | 2, 3 PCLKB | 2 ICLK | TMR |
| 0008 820Bh | TMR1 | Timer Counter Control Register | TCCR | 8 | 8 | 2, 3 PCLKB | 2 ICLK | TMR |
| 0008 820Ch | TMR0 | Timer Counter Start Register | TCSTR | 8 | 8 | 2, 3 PCLKB | 2 ICLK | TMR |
| 0008 820Dh | TMR1 | Timer Counter Start Register | TCSTR | 8 | 8 | 2, 3 PCLKB | 2 ICLK | TMR |
| 0008 8210h | TMR2 | Timer Control Register | TCR | 8 | 8 | 2, 3 PCLKB | 2 ICLK | TMR |
| 0008 8211h | TMR3 | Timer Control Register | TCR | 8 | 8 | 2, 3 PCLKB | 2 ICLK | TMR |
| 0008 8212h | TMR2 | Timer Control/Status Register | TCSR | 8 | 8 | 2, 3 PCLKB | 2 ICLK | TMR |
| 0008 8213h | TMR3 | Timer Control/Status Register | TCSR | 8 | 8 | 2, 3 PCLKB | 2 ICLK | TMR |
| 0008 8214h | TMR2 | Time Constant Register A | TCORA | 8 | 8 | 2, 3 PCLKB | 2 ICLK | TMR |
| 0008 8214h | TMR23 | Time Constant Register A | TCORA | 16 | 16 | 2, 3 PCLKB | 2 ICLK | TMR |
| 0008 8215h | TMR3 | Time Constant Register A | TCORA | 8 | 8 | 2, 3 PCLKB | 2 ICLK | TMR |
| 0008 8216h | TMR2 | Time Constant Register B | TCORB | 8 | 8 | 2, 3 PCLKB | 2 ICLK | TMR |
| 0008 8216h | TMR23 | Time Constant Register B | TCORB | 16 | 16 | 2, 3 PCLKB | 2 ICLK | TMR |
| 0008 8217h | TMR3 | Time Constant Register B | TCORB | 8 | 8 | 2, 3 PCLKB | 2 ICLK | TMR |
| 0008 8218h | TMR2 | Timer Counter | TCNT | 8 | 8 | 2, 3 PCLKB | 2 ICLK | TMR |
| 0008 8218h | TMR23 | Timer Counter | TCNT | 16 | 16 | 2, 3 PCLKB | 2 ICLK | TMR |
| 0008 8219h | TMR3 | Timer Counter | TCNT | 8 | 8 | 2, 3 PCLKB | 2 ICLK | TMR |
| 0008 821Ah | TMR2 | Timer Counter Control Register | TCCR | 8 | 8 | 2, 3 PCLKB | 2 ICLK | TMR |
| 0008 821Ah | TMR23 | Timer Counter Control Register | TCCR | 16 | 16 | 2, 3 PCLKB | 2 ICLK | TMR |
| 0008 821Bh | TMR3 | Timer Counter Control Register | TCCR | 8 | 8 | 2, 3 PCLKB | 2 ICLK | TMR |
| 0008 821Ch | TMR2 | Timer Counter Start Register | TCSTR | 8 | 8 | 2, 3 PCLKB | 2 ICLK | TMR |
| 0008 821Dh | TMR3 | Timer Counter Start Register | TCSTR | 8 | 8 | 2, 3 PCLKB | 2 ICLK | TMR |
| 0008 8280h | CRC | CRC Control Register | CRCCR | 8 | 8 | 2, 3 PCLKB | 2 ICLK | CRC |
| 0008 8281h | CRC | CRC Data Input Register | CRCDIR | 8 | 8 | 2, 3 PCLKB | 2 ICLK | CRC |
| 0008 8282h | CRC | CRC Data Output Register | CRCDOR | 16 | 16 | 2, 3 PCLKB | 2 ICLK | CRC |
| 0008 8300h | RIIC0 | I ² C-Bus Control Register 1 | ICCR1 | 8 | 8 | 2, 3 PCLKB | 2 ICLK | RIICa |
| 0008 8301h | RIIC0 | I ² C-Bus Control Register 2 | ICCR2 | 8 | 8 | 2, 3 PCLKB | 2 ICLK | RIICa |
| 0008 8302h | RIIC0 | I ² C-Bus Mode Register 1 | ICMR1 | 8 | 8 | 2, 3 PCLKB | 2 ICLK | RIICa |
| 0008 8303h | RIIC0 | I ² C-Bus Mode Register 2 | ICMR2 | 8 | 8 | 2, 3 PCLKB | 2 ICLK | RIICa |
| 0008 8304h | RIIC0 | I ² C-Bus Mode Register 3 | ICMR3 | 8 | 8 | 2, 3 PCLKB | 2 ICLK | RIICa |
| 0008 8305h | RIIC0 | I ² C-Bus Function Enable Register | ICFER | 8 | 8 | 2, 3 PCLKB | 2 ICLK | RIICa |
| 0008 8306h | RIIC0 | I ² C-Bus Status Enable Register | ICSER | 8 | 8 | 2, 3 PCLKB | 2 ICLK | RIICa |
| 0008 8307h | RIIC0 | I ² C-Bus Interrupt Enable Register | ICIER | 8 | 8 | 2, 3 PCLKB | 2 ICLK | RIICa |
| 0008 8308h | RIIC0 | I ² C-Bus Status Register 1 | ICSR1 | 8 | 8 | 2, 3 PCLKB | 2 ICLK | RIICa |
| 0008 8309h | RIIC0 | I ² C-Bus Status Register 2 | ICSR2 | 8 | 8 | 2, 3 PCLKB | 2 ICLK | RIICa |
| 0008 830Ah | RIIC0 | Slave Address Register L0 | SARL0 | 8 | 8 | 2, 3 PCLKB | 2 ICLK | RIICa |
| 0008 830Bh | RIIC0 | Slave Address Register U0 | SARU0 | 8 | 8 | 2, 3 PCLKB | 2 ICLK | RIICa |
| 0008 830Ch | RIIC0 | Slave Address Register L1 | SARL1 | 8 | 8 | 2, 3 PCLKB | 2 ICLK | RIICa |
| 0008 830Dh | RIIC0 | Slave Address Register U1 | SARU1 | 8 | 8 | 2, 3 PCLKB | 2 ICLK | RIICa |

Table 4.1 List of I/O Registers (Address Order) (17 / 67)

| Address | Module Symbol | Register Name | Register Symbol | Number of Bits | Access Size | Number of Access Cycles | | Related Function |
|------------|---------------|---|-----------------|----------------|-------------|-------------------------|-------------|------------------|
| | | | | | | ICLK ≥ PCLK | ICLK < PCLK | |
| 0008 830Eh | RIIC0 | Slave Address Register L2 | SARL2 | 8 | 8 | 2, 3 PCLKB | 2 ICLK | RIICa |
| 0008 830Fh | RIIC0 | Slave Address Register U2 | SARU2 | 8 | 8 | 2, 3 PCLKB | 2 ICLK | RIICa |
| 0008 8310h | RIIC0 | I ² C-Bus Bit Rate Low-Level Register | ICBRL | 8 | 8 | 2, 3 PCLKB | 2 ICLK | RIICa |
| 0008 8311h | RIIC0 | I ² C-Bus Bit Rate High-Level Register | ICBRH | 8 | 8 | 2, 3 PCLKB | 2 ICLK | RIICa |
| 0008 8312h | RIIC0 | I ² C-Bus Transmit Data Register | ICDRT | 8 | 8 | 2, 3 PCLKB | 2 ICLK | RIICa |
| 0008 8313h | RIIC0 | I ² C-Bus Receive Data Register | ICDRR | 8 | 8 | 2, 3 PCLKB | 2 ICLK | RIICa |
| 0008 8340h | RIIC2 | I ² C-Bus Control Register 1 | ICCR1 | 8 | 8 | 2, 3 PCLKB | 2 ICLK | RIICa |
| 0008 8341h | RIIC2 | I ² C-Bus Control Register 2 | ICCR2 | 8 | 8 | 2, 3 PCLKB | 2 ICLK | RIICa |
| 0008 8342h | RIIC2 | I ² C-Bus Mode Register 1 | ICMR1 | 8 | 8 | 2, 3 PCLKB | 2 ICLK | RIICa |
| 0008 8343h | RIIC2 | I ² C-Bus Mode Register 2 | ICMR2 | 8 | 8 | 2, 3 PCLKB | 2 ICLK | RIICa |
| 0008 8344h | RIIC2 | I ² C-Bus Mode Register 3 | ICMR3 | 8 | 8 | 2, 3 PCLKB | 2 ICLK | RIICa |
| 0008 8345h | RIIC2 | I ² C-Bus Function Enable Register | ICFER | 8 | 8 | 2, 3 PCLKB | 2 ICLK | RIICa |
| 0008 8346h | RIIC2 | I ² C-Bus Status Enable Register | ICSER | 8 | 8 | 2, 3 PCLKB | 2 ICLK | RIICa |
| 0008 8347h | RIIC2 | I ² C-Bus Interrupt Enable Register | ICIER | 8 | 8 | 2, 3 PCLKB | 2 ICLK | RIICa |
| 0008 8348h | RIIC2 | I ² C-Bus Status Register 1 | ICSR1 | 8 | 8 | 2, 3 PCLKB | 2 ICLK | RIICa |
| 0008 8349h | RIIC2 | I ² C-Bus Status Register 2 | ICSR2 | 8 | 8 | 2, 3 PCLKB | 2 ICLK | RIICa |
| 0008 834Ah | RIIC2 | Slave Address Register L0 | SARL0 | 8 | 8 | 2, 3 PCLKB | 2 ICLK | RIICa |
| 0008 834Bh | RIIC2 | Slave Address Register U0 | SARU0 | 8 | 8 | 2, 3 PCLKB | 2 ICLK | RIICa |
| 0008 834Ch | RIIC2 | Slave Address Register L1 | SARL1 | 8 | 8 | 2, 3 PCLKB | 2 ICLK | RIICa |
| 0008 834Dh | RIIC2 | Slave Address Register U1 | SARU1 | 8 | 8 | 2, 3 PCLKB | 2 ICLK | RIICa |
| 0008 834Eh | RIIC2 | Slave Address Register L2 | SARL2 | 8 | 8 | 2, 3 PCLKB | 2 ICLK | RIICa |
| 0008 834Fh | RIIC2 | Slave Address Register U2 | SARU2 | 8 | 8 | 2, 3 PCLKB | 2 ICLK | RIICa |
| 0008 8350h | RIIC2 | I ² C-Bus Bit Rate Low-Level Register | ICBRL | 8 | 8 | 2, 3 PCLKB | 2 ICLK | RIICa |
| 0008 8351h | RIIC2 | I ² C-Bus Bit Rate High-Level Register | ICBRH | 8 | 8 | 2, 3 PCLKB | 2 ICLK | RIICa |
| 0008 8352h | RIIC2 | I ² C-Bus Transmit Data Register | ICDRT | 8 | 8 | 2, 3 PCLKB | 2 ICLK | RIICa |
| 0008 8353h | RIIC2 | I ² C-Bus Receive Data Register | ICDRR | 8 | 8 | 2, 3 PCLKB | 2 ICLK | RIICa |
| 0008 8500h | MMCIF | Command Setting Register | CECMDSET | 32 | 32 | 2, 3 PCLKB | 2 ICLK | MMCIF |
| 0008 8508h | MMCIF | Argument Register | CEARG | 32 | 32 | 2, 3 PCLKB | 2 ICLK | MMCIF |
| 0008 850Ch | MMCIF | Automatically Issued CMD12 Argument Register | CEARGCMD12 | 32 | 32 | 2, 3 PCLKB | 2 ICLK | MMCIF |
| 0008 8510h | MMCIF | Command Control Register | CECMDCTRL | 32 | 32 | 2, 3 PCLKB | 2 ICLK | MMCIF |
| 0008 8514h | MMCIF | Transfer Block Setting Register | CEBLOCKSET | 32 | 32 | 2, 3 PCLKB | 2 ICLK | MMCIF |
| 0008 8518h | MMCIF | Clock Control Register | CECLKCTRL | 32 | 32 | 2, 3 PCLKB | 2 ICLK | MMCIF |
| 0008 851Ch | MMCIF | Buffer Access Setting Register | CEBUFACC | 32 | 32 | 2, 3 PCLKB | 2 ICLK | MMCIF |
| 0008 8520h | MMCIF | Response Register 3 | CERESP3 | 32 | 32 | 2, 3 PCLKB | 2 ICLK | MMCIF |
| 0008 8524h | MMCIF | Response Register 2 | CERESP2 | 32 | 32 | 2, 3 PCLKB | 2 ICLK | MMCIF |
| 0008 8528h | MMCIF | Response Register 1 | CERESP1 | 32 | 32 | 2, 3 PCLKB | 2 ICLK | MMCIF |
| 0008 852Ch | MMCIF | Response Register 0 | CERESP0 | 32 | 32 | 2, 3 PCLKB | 2 ICLK | MMCIF |
| 0008 8530h | MMCIF | Automatically Issued CMD12 Response Register | CERESPCMD12 | 32 | 32 | 2, 3 PCLKB | 2 ICLK | MMCIF |
| 0008 8534h | MMCIF | Data Register | CEDATA | 32 | 32 | 2, 3 PCLKB | 2 ICLK | MMCIF |
| 0008 853Ch | MMCIF | Boot Operation Setting Register | CEBOOT | 32 | 32 | 2, 3 PCLKB | 2 ICLK | MMCIF |
| 0008 8540h | MMCIF | Interrupt status Flag Register | CEINT | 32 | 32 | 2, 3 PCLKB | 2 ICLK | MMCIF |
| 0008 8544h | MMCIF | Interrupt request Enable Register | CEINTEN | 32 | 32 | 2, 3 PCLKB | 2 ICLK | MMCIF |
| 0008 8548h | MMCIF | Status Register 1 | CEHOSTSTS1 | 32 | 32 | 2, 3 PCLKB | 2 ICLK | MMCIF |
| 0008 854Ch | MMCIF | Status Register 2 | CEHOSTSTS2 | 32 | 32 | 2, 3 PCLKB | 2 ICLK | MMCIF |
| 0008 8570h | MMCIF | MMC Detection and Port Control Register | CEDETECT | 32 | 32 | 2, 3 PCLKB | 2 ICLK | MMCIF |
| 0008 8574h | MMCIF | Special Mode Setting Register | CEADDMODE | 32 | 32 | 2, 3 PCLKB | 2 ICLK | MMCIF |

Table 4.1 List of I/O Registers (Address Order) (18 / 67)

| Address | Module Symbol | Register Name | Register Symbol | Number of Bits | Access Size | Number of Access Cycles | | Related Function |
|------------|---------------|---|-----------------|----------------|-------------|-------------------------|-------------|------------------|
| | | | | | | ICLK ≥ PCLK | ICLK < PCLK | |
| 0008 857Ch | MMCIF | Version Register | CEVERSION | 32 | 32 | 2, 3 PCLKB | 2 ICLK | MMCIF |
| 0008 9000h | S12AD | A/D Control Register | ADCSR | 16 | 16 | 2, 3 PCLKB | 2 ICLK | S12ADC |
| 0008 9004h | S12AD | A/D Channel Select Register A0 | ADANSA0 | 16 | 16 | 2, 3 PCLKB | 2 ICLK | S12ADC |
| 0008 9008h | S12AD | A/D-Converted Value Addition/Average Mode Select Register 0 | ADADS0 | 16 | 16 | 2, 3 PCLKB | 2 ICLK | S12ADC |
| 0008 900Ch | S12AD | A/D-Converted Value Addition/Average Count Select Register | ADADC | 8 | 8 | 2, 3 PCLKB | 2 ICLK | S12ADC |
| 0008 900Eh | S12AD | A/D Control Extended Register | ADCER | 16 | 16 | 2, 3 PCLKB | 2 ICLK | S12ADC |
| 0008 9010h | S12AD | A/D Start Trigger Select Register | ADSTRGR | 16 | 16 | 2, 3 PCLKB | 2 ICLK | S12ADC |
| 0008 9014h | S12AD | A/D Channel Select Register B0 | ADANSB0 | 16 | 16 | 2, 3 PCLKB | 2 ICLK | S12ADC |
| 0008 9018h | S12AD | A/D Data Duplication Register | ADDBLDR | 16 | 16 | 2, 3 PCLKB | 2 ICLK | S12ADC |
| 0008 901Eh | S12AD | A/D Self-Diagnosis Data Register | ADRD | 16 | 16 | 2, 3 PCLKB | 2 ICLK | S12ADC |
| 0008 9020h | S12AD | A/D Data Register 0 | ADDR0 | 16 | 16 | 2, 3 PCLKB | 2 ICLK | S12ADC |
| 0008 9022h | S12AD | A/D Data Register 1 | ADDR1 | 16 | 16 | 2, 3 PCLKB | 2 ICLK | S12ADC |
| 0008 9024h | S12AD | A/D Data Register 2 | ADDR2 | 16 | 16 | 2, 3 PCLKB | 2 ICLK | S12ADC |
| 0008 9026h | S12AD | A/D Data Register 3 | ADDR3 | 16 | 16 | 2, 3 PCLKB | 2 ICLK | S12ADC |
| 0008 9028h | S12AD | A/D Data Register 4 | ADDR4 | 16 | 16 | 2, 3 PCLKB | 2 ICLK | S12ADC |
| 0008 902Ah | S12AD | A/D Data Register 5 | ADDR5 | 16 | 16 | 2, 3 PCLKB | 2 ICLK | S12ADC |
| 0008 902Ch | S12AD | A/D Data Register 6 | ADDR6 | 16 | 16 | 2, 3 PCLKB | 2 ICLK | S12ADC |
| 0008 902Eh | S12AD | A/D Data Register 7 | ADDR7 | 16 | 16 | 2, 3 PCLKB | 2 ICLK | S12ADC |
| 0008 9060h | S12AD | A/D Sampling State Register 0 | ADSSTR0 | 8 | 8 | 2, 3 PCLKB | 2 ICLK | S12ADC |
| 0008 9066h | S12AD | A/D Sample-and-Hold Circuit Control Register | ADSHCR | 16 | 16 | 2, 3 PCLKB | 2 ICLK | S12ADC |
| 0008 9073h | S12AD | A/D Sampling State Register 1 | ADSSTR1 | 8 | 8 | 2, 3 PCLKB | 2 ICLK | S12ADC |
| 0008 9074h | S12AD | A/D Sampling State Register 2 | ADSSTR2 | 8 | 8 | 2, 3 PCLKB | 2 ICLK | S12ADC |
| 0008 9075h | S12AD | A/D Sampling State Register 3 | ADSSTR3 | 8 | 8 | 2, 3 PCLKB | 2 ICLK | S12ADC |
| 0008 9076h | S12AD | A/D Sampling State Register 4 | ADSSTR4 | 8 | 8 | 2, 3 PCLKB | 2 ICLK | S12ADC |
| 0008 9077h | S12AD | A/D Sampling State Register 5 | ADSSTR5 | 8 | 8 | 2, 3 PCLKB | 2 ICLK | S12ADC |
| 0008 9078h | S12AD | A/D Sampling State Register 6 | ADSSTR6 | 8 | 8 | 2, 3 PCLKB | 2 ICLK | S12ADC |
| 0008 9079h | S12AD | A/D Sampling State Register 7 | ADSSTR7 | 8 | 8 | 2, 3 PCLKB | 2 ICLK | S12ADC |
| 0008 907Ah | S12AD | A/D Disconnection Detection Control Register | ADDISCR | 8 | 8 | 2, 3 PCLKB | 2 ICLK | S12ADC |
| 0008 907Ch | S12AD | A/D Sample-and-Hold Operating Mode Select Register | ADSHMSR | 8 | 8 | 2, 3 PCLKB | 2 ICLK | S12ADC |
| 0008 9080h | S12AD | A/D Group Scan Priority Control Register | ADGSPCR | 16 | 16 | 2, 3 PCLKB | 2 ICLK | S12ADC |
| 0008 9084h | S12AD | A/D Data Duplication Register A | ADDBLDRA | 16 | 16 | 2, 3 PCLKB | 2 ICLK | S12ADC |
| 0008 9086h | S12AD | A/D Data Duplication Register B | ADDBLDRB | 16 | 16 | 2, 3 PCLKB | 2 ICLK | S12ADC |

Table 4.1 List of I/O Registers (Address Order) (19 / 67)

| Address | Module Symbol | Register Name | Register Symbol | Number of Bits | Access Size | Number of Access Cycles | | Related Function |
|------------|---------------|---|-----------------|----------------|-------------|-------------------------|-------------|------------------|
| | | | | | | ICLK ≥ PCLK | ICLK < PCLK | |
| 0008 9090h | S12AD | A/D Compare Control Register | ADCMPCR | 8 | 8 | 2, 3 PCLKB | 2 ICLK | S12ADC |
| 0008 9094h | S12AD | A/D Compare Channel Select Register 0 | ADCMPSR0 | 16 | 16 | 2, 3 PCLKB | 2 ICLK | S12ADC |
| 0008 9098h | S12AD | A/D Compare Level Register 0 | ADCMPLR0 | 16 | 16 | 2, 3 PCLKB | 2 ICLK | S12ADC |
| 0008 909Ch | S12AD | A/D Compare Data Register 0 | ADCMPCR0 | 16 | 16 | 2, 3 PCLKB | 2 ICLK | S12ADC |
| 0008 909Eh | S12AD | A/D Compare Data Register 1 | ADCMPCR1 | 16 | 16 | 2, 3 PCLKB | 2 ICLK | S12ADC |
| 0008 90A0h | S12AD | A/D Compare Status Register 0 | ADCMPSR0 | 16 | 16 | 2, 3 PCLKB | 2 ICLK | S12ADC |
| 0008 9100h | S12AD1 | A/D Control Register | ADCSR | 16 | 16 | 2, 3 PCLKB | 2 ICLK | S12ADC |
| 0008 9104h | S12AD1 | A/D Channel Select Register A0 | ADANSA0 | 16 | 16 | 2, 3 PCLKB | 2 ICLK | S12ADC |
| 0008 9106h | S12AD1 | A/D Channel Select Register A1 | ADANSA1 | 16 | 16 | 2, 3 PCLKB | 2 ICLK | S12ADC |
| 0008 9108h | S12AD1 | A/D-Converted Value Addition/Average Mode Select Register 0 | ADADS0 | 16 | 16 | 2, 3 PCLKB | 2 ICLK | S12ADC |
| 0008 910Ah | S12AD1 | A/D-Converted Value Addition/Average Mode Select Register 1 | ADADS1 | 16 | 16 | 2, 3 PCLKB | 2 ICLK | S12ADC |
| 0008 910Ch | S12AD1 | A/D-Converted Value Addition/Average Count Select Register | ADADC | 8 | 8 | 2, 3 PCLKB | 2 ICLK | S12ADC |
| 0008 910Eh | S12AD1 | A/D Control Extended Register | ADCER | 16 | 16 | 2, 3 PCLKB | 2 ICLK | S12ADC |
| 0008 9110h | S12AD1 | A/D Start Trigger Select Register | ADSTRGR | 16 | 16 | 2, 3 PCLKB | 2 ICLK | S12ADC |
| 0008 9112h | S12AD1 | A/D Conversion Extended Input Control Register | ADEXICR | 16 | 16 | 2, 3 PCLKB | 2 ICLK | S12ADC |
| 0008 9114h | S12AD1 | A/D Channel Select Register B0 | ADANSB0 | 16 | 16 | 2, 3 PCLKB | 2 ICLK | S12ADC |
| 0008 9116h | S12AD1 | A/D Channel Select Register B1 | ADANSB1 | 16 | 16 | 2, 3 PCLKB | 2 ICLK | S12ADC |
| 0008 9118h | S12AD1 | A/D Data Duplication Register | ADDBLDR | 16 | 16 | 2, 3 PCLKB | 2 ICLK | S12ADC |
| 0008 911Ah | S12AD1 | A/D Temperature Sensor Data Register | ADTSDR | 16 | 16 | 2, 3 PCLKB | 2 ICLK | S12ADC |
| 0008 911Ch | S12AD1 | A/D Internal Reference Voltage Data Register | ADOCDR | 16 | 16 | 2, 3 PCLKB | 2 ICLK | S12ADC |
| 0008 911Eh | S12AD1 | A/D Self-Diagnosis Data Register | ADRD | 16 | 16 | 2, 3 PCLKB | 2 ICLK | S12ADC |
| 0008 9120h | S12AD1 | A/D Data Register 0 | ADDR0 | 16 | 16 | 2, 3 PCLKB | 2 ICLK | S12ADC |
| 0008 9122h | S12AD1 | A/D Data Register 1 | ADDR1 | 16 | 16 | 2, 3 PCLKB | 2 ICLK | S12ADC |
| 0008 9124h | S12AD1 | A/D Data Register 2 | ADDR2 | 16 | 16 | 2, 3 PCLKB | 2 ICLK | S12ADC |
| 0008 9126h | S12AD1 | A/D Data Register 3 | ADDR3 | 16 | 16 | 2, 3 PCLKB | 2 ICLK | S12ADC |
| 0008 9128h | S12AD1 | A/D Data Register 4 | ADDR4 | 16 | 16 | 2, 3 PCLKB | 2 ICLK | S12ADC |
| 0008 912Ah | S12AD1 | A/D Data Register 5 | ADDR5 | 16 | 16 | 2, 3 PCLKB | 2 ICLK | S12ADC |
| 0008 912Ch | S12AD1 | A/D Data Register 6 | ADDR6 | 16 | 16 | 2, 3 PCLKB | 2 ICLK | S12ADC |
| 0008 912Eh | S12AD1 | A/D Data Register 7 | ADDR7 | 16 | 16 | 2, 3 PCLKB | 2 ICLK | S12ADC |
| 0008 9130h | S12AD1 | A/D Data Register 8 | ADDR8 | 16 | 16 | 2, 3 PCLKB | 2 ICLK | S12ADC |
| 0008 9132h | S12AD1 | A/D Data Register 9 | ADDR9 | 16 | 16 | 2, 3 PCLKB | 2 ICLK | S12ADC |

Table 4.1 List of I/O Registers (Address Order) (20 / 67)

| Address | Module Symbol | Register Name | Register Symbol | Number of Bits | Access Size | Number of Access Cycles | | Related Function |
|------------|---------------|--|-----------------|----------------|-------------|-------------------------|-------------|------------------|
| | | | | | | ICLK \geq PCLK | ICLK < PCLK | |
| 0008 9134h | S12AD1 | A/D Data Register 10 | ADDR10 | 16 | 16 | 2, 3 PCLK | 2 ICLK | S12ADC |
| 0008 9136h | S12AD1 | A/D Data Register 11 | ADDR11 | 16 | 16 | 2, 3 PCLK | 2 ICLK | S12ADC |
| 0008 9138h | S12AD1 | A/D Data Register 12 | ADDR12 | 16 | 16 | 2, 3 PCLK | 2 ICLK | S12ADC |
| 0008 913Ah | S12AD1 | A/D Data Register 13 | ADDR13 | 16 | 16 | 2, 3 PCLK | 2 ICLK | S12ADC |
| 0008 913Ch | S12AD1 | A/D Data Register 14 | ADDR14 | 16 | 16 | 2, 3 PCLK | 2 ICLK | S12ADC |
| 0008 913Eh | S12AD1 | A/D Data Register 15 | ADDR15 | 16 | 16 | 2, 3 PCLK | 2 ICLK | S12ADC |
| 0008 9140h | S12AD1 | A/D Data Register 16 | ADDR16 | 16 | 16 | 2, 3 PCLK | 2 ICLK | S12ADC |
| 0008 9142h | S12AD1 | A/D Data Register 17 | ADDR17 | 16 | 16 | 2, 3 PCLK | 2 ICLK | S12ADC |
| 0008 9144h | S12AD1 | A/D Data Register 18 | ADDR18 | 16 | 16 | 2, 3 PCLK | 2 ICLK | S12ADC |
| 0008 9146h | S12AD1 | A/D Data Register 19 | ADDR19 | 16 | 16 | 2, 3 PCLK | 2 ICLK | S12ADC |
| 0008 9148h | S12AD1 | A/D Data Register 20 | ADDR20 | 16 | 16 | 2, 3 PCLK | 2 ICLK | S12ADC |
| 0008 9160h | S12AD1 | A/D Sampling State Register 0 | ADSSTR0 | 8 | 8 | 2, 3 PCLK | 2 ICLK | S12ADC |
| 0008 9161h | S12AD1 | A/D Sampling State Register L | ADSSTRL | 8 | 8 | 2, 3 PCLK | 2 ICLK | S12ADC |
| 0008 9170h | S12AD1 | A/D Sampling State Register T | ADSSTRT | 8 | 8 | 2, 3 PCLK | 2 ICLK | S12ADC |
| 0008 9171h | S12AD1 | A/D Sampling State Register O | ADSSTRO | 8 | 8 | 2, 3 PCLK | 2 ICLK | S12ADC |
| 0008 9173h | S12AD1 | A/D Sampling State Register 1 | ADSSTR1 | 8 | 8 | 2, 3 PCLK | 2 ICLK | S12ADC |
| 0008 9174h | S12AD1 | A/D Sampling State Register 2 | ADSSTR2 | 8 | 8 | 2, 3 PCLK | 2 ICLK | S12ADC |
| 0008 9175h | S12AD1 | A/D Sampling State Register 3 | ADSSTR3 | 8 | 8 | 2, 3 PCLK | 2 ICLK | S12ADC |
| 0008 9176h | S12AD1 | A/D Sampling State Register 4 | ADSSTR4 | 8 | 8 | 2, 3 PCLK | 2 ICLK | S12ADC |
| 0008 9177h | S12AD1 | A/D Sampling State Register 5 | ADSSTR5 | 8 | 8 | 2, 3 PCLK | 2 ICLK | S12ADC |
| 0008 9178h | S12AD1 | A/D Sampling State Register 6 | ADSSTR6 | 8 | 8 | 2, 3 PCLK | 2 ICLK | S12ADC |
| 0008 9179h | S12AD1 | A/D Sampling State Register 7 | ADSSTR7 | 8 | 8 | 2, 3 PCLK | 2 ICLK | S12ADC |
| 0008 917Ah | S12AD1 | A/D Disconnection Detection Control Register | ADDISCR | 8 | 8 | 2, 3 PCLK | 2 ICLK | S12ADC |
| 0008 9180h | S12AD1 | A/D Group Scan Priority Control Register | ADGSPCR | 16 | 16 | 2, 3 PCLK | 2 ICLK | S12ADC |
| 0008 9184h | S12AD1 | A/D Data Duplication Register A | ADDBLDRA | 16 | 16 | 2, 3 PCLK | 2 ICLK | S12ADC |
| 0008 9186h | S12AD1 | A/D Data Duplication Register B | ADDBLDRB | 16 | 16 | 2, 3 PCLK | 2 ICLK | S12ADC |
| 0008 9190h | S12AD1 | A/D Compare Control Register | ADCMPCR | 8 | 8 | 2, 3 PCLK | 2 ICLK | S12ADC |
| 0008 9192h | S12AD1 | A/D Compare Channel Select Extended Register | ADCMPANSE R | 8 | 8 | 2, 3 PCLK | 2 ICLK | S12ADC |
| 0008 9193h | S12AD1 | A/D Compare Level Extended Register | ADCMPLER | 8 | 8 | 2, 3 PCLK | 2 ICLK | S12ADC |
| 0008 9194h | S12AD1 | A/D Compare Channel Select Register 0 | ADCMPANSR 0 | 16 | 16 | 2, 3 PCLK | 2 ICLK | S12ADC |
| 0008 9196h | S12AD1 | A/D Compare Channel Select Register 1 | ADCMPANSR 1 | 16 | 16 | 2, 3 PCLK | 2 ICLK | S12ADC |

Table 4.1 List of I/O Registers (Address Order) (21 / 67)

| Address | Module Symbol | Register Name | Register Symbol | Number of Bits | Access Size | Number of Access Cycles | | Related Function |
|------------|---------------|---|-----------------|----------------|-------------|-------------------------|-------------|------------------|
| | | | | | | ICLK ≥ PCLK | ICLK < PCLK | |
| 0008 9198h | S12AD1 | A/D Compare Level Register 0 | ADCMPLR0 | 16 | 16 | 2, 3 PCLKB | 2 ICLK | S12ADC |
| 0008 919Ah | S12AD1 | A/D Compare Level Register 1 | ADCMPLR1 | 16 | 16 | 2, 3 PCLKB | 2 ICLK | S12ADC |
| 0008 919Ch | S12AD1 | A/D Compare Data Register 0 | ADCMPDR0 | 16 | 16 | 2, 3 PCLKB | 2 ICLK | S12ADC |
| 0008 919Eh | S12AD1 | A/D Compare Data Register 1 | ADCMPDR1 | 16 | 16 | 2, 3 PCLKB | 2 ICLK | S12ADC |
| 0008 91A0h | S12AD1 | A/D Compare Status Register 0 | ADCMPSR0 | 16 | 16 | 2, 3 PCLKB | 2 ICLK | S12ADC |
| 0008 91A2h | S12AD1 | A/D Compare Status Register 1 | ADCMPSR1 | 16 | 16 | 2, 3 PCLKB | 2 ICLK | S12ADC |
| 0008 91A4h | S12AD1 | A/D Compare Status Extended Register | ADCMPSER | 8 | 8 | 2, 3 PCLKB | 2 ICLK | S12ADC |
| 0008 9E00h | QSPI | QSPI Control Register | SPCR | 8 | 8 | 4, 5 PCLKB | 2, 3 ICLK | QSPI |
| 0008 9E01h | QSPI | QSPI Slave Select Polarity Register | SSLP | 8 | 8 | 4, 5 PCLKB | 2, 3 ICLK | QSPI |
| 0008 9E02h | QSPI | QSPI Pin Control Register | SPPCR | 8 | 8 | 4, 5 PCLKB | 2, 3 ICLK | QSPI |
| 0008 9E03h | QSPI | QSPI Status Register | SPSR | 8 | 8 | 4, 5 PCLKB | 2, 3 ICLK | QSPI |
| 0008 9E04h | QSPI | QSPI Data Register | SPDR | 32 | 8, 16, 32 | 4, 5 PCLKB | 2, 3 ICLK | QSPI |
| 0008 9E08h | QSPI | QSPI Sequence Control Register | SPSCR | 8 | 8 | 4, 5 PCLKB | 2, 3 ICLK | QSPI |
| 0008 9E09h | QSPI | QSPI Sequence Status Register | SPSSR | 8 | 8 | 4, 5 PCLKB | 2, 3 ICLK | QSPI |
| 0008 9E0Ah | QSPI | QSPI Bit Rate Register | SPBR | 8 | 8 | 4, 5 PCLKB | 2, 3 ICLK | QSPI |
| 0008 9E0Bh | QSPI | QSPI Data Control Register | SPDCR | 8 | 8 | 4, 5 PCLKB | 2, 3 ICLK | QSPI |
| 0008 9E0Ch | QSPI | QSPI Clock Delay Register | SPCKD | 8 | 8 | 4, 5 PCLKB | 2, 3 ICLK | QSPI |
| 0008 9E0Dh | QSPI | QSPI Slave Select Negation Delay Register | SSLND | 8 | 8 | 4, 5 PCLKB | 2, 3 ICLK | QSPI |
| 0008 9E0Eh | QSPI | QSPI Next-Access Delay Register | SPND | 8 | 8 | 4, 5 PCLKB | 2, 3 ICLK | QSPI |
| 0008 9E10h | QSPI | QSPI Command Register 0 | SPCMD0 | 16 | 16 | 4, 5 PCLKB | 2, 3 ICLK | QSPI |
| 0008 9E12h | QSPI | QSPI Command Register 1 | SPCMD1 | 16 | 16 | 4, 5 PCLKB | 2, 3 ICLK | QSPI |
| 0008 9E14h | QSPI | QSPI Command Register 2 | SPCMD2 | 16 | 16 | 4, 5 PCLKB | 2, 3 ICLK | QSPI |
| 0008 9E16h | QSPI | QSPI Command Register 3 | SPCMD3 | 16 | 16 | 4, 5 PCLKB | 2, 3 ICLK | QSPI |
| 0008 9E18h | QSPI | QSPI Buffer Control Register | SPBFCR | 8 | 8 | 4, 5 PCLKB | 2, 3 ICLK | QSPI |
| 0008 9E1Ah | QSPI | QSPI Buffer Data Count Set Register | SPBDCR | 16 | 16 | 4, 5 PCLKB | 2, 3 ICLK | QSPI |
| 0008 9E1Ch | QSPI | QSPI Transfer Data Length Multiplier Setting Register 0 | SPBMUL0 | 32 | 32 | 4, 5 PCLKB | 2, 3 ICLK | QSPI |
| 0008 9E20h | QSPI | QSPI Transfer Data Length Multiplier Setting Register 1 | SPBMUL1 | 32 | 32 | 4, 5 PCLKB | 2, 3 ICLK | QSPI |
| 0008 9E24h | QSPI | QSPI Transfer Data Length Multiplier Setting Register 2 | SPBMUL2 | 32 | 32 | 4, 5 PCLKB | 2, 3 ICLK | QSPI |
| 0008 9E28h | QSPI | QSPI Transfer Data Length Multiplier Setting Register 3 | SPBMUL3 | 32 | 32 | 4, 5 PCLKB | 2, 3 ICLK | QSPI |
| 0008 A000h | SCIO | Serial Mode Register | SMR | 8 | 8 | 2, 3 PCLKB | 2 ICLK | SClg, SClh |
| 0008 A001h | SCIO | Bit Rate Register | BRR | 8 | 8 | 2, 3 PCLKB | 2 ICLK | SClg, SClh |
| 0008 A002h | SCIO | Serial Control Register | SCR | 8 | 8 | 2, 3 PCLKB | 2 ICLK | SClg, SClh |
| 0008 A003h | SCIO | Transmit Data Register | TDR | 8 | 8 | 2, 3 PCLKB | 2 ICLK | SClg, SClh |
| 0008 A004h | SCIO | Serial Status Register | SSR | 8 | 8 | 2, 3 PCLKB | 2 ICLK | SClg, SClh |
| 0008 A005h | SCIO | Receive Data Register | RDR | 8 | 8 | 2, 3 PCLKB | 2 ICLK | SClg, SClh |
| 0008 A006h | SMCIO | Smart Card Mode Register | SCMR | 8 | 8 | 2, 3 PCLKB | 2 ICLK | SClg, SClh |
| 0008 A007h | SCIO | Serial Extended Mode Register | SEMR | 8 | 8 | 2, 3 PCLKB | 2 ICLK | SClg, SClh |
| 0008 A008h | SCIO | Noise Filter Setting Register | SNFR | 8 | 8 | 2, 3 PCLKB | 2 ICLK | SClg, SClh |

Table 4.1 List of I/O Registers (Address Order) (22 / 67)

| Address | Module Symbol | Register Name | Register Symbol | Number of Bits | Access Size | Number of Access Cycles | | Related Function |
|------------|---------------|----------------------------------|-----------------|----------------|-------------|-------------------------|-------------|------------------|
| | | | | | | ICLK ≥ PCLK | ICLK < PCLK | |
| 0008 A009h | SCIO | I ² C Mode Register 1 | SIMR1 | 8 | 8 | 2, 3 PCLKB | 2 ICLK | SClg, SClh |
| 0008 A00Ah | SCIO | I ² C Mode Register 2 | SIMR2 | 8 | 8 | 2, 3 PCLKB | 2 ICLK | SClg, SClh |
| 0008 A00Bh | SCIO | I ² C Mode Register 3 | SIMR3 | 8 | 8 | 2, 3 PCLKB | 2 ICLK | SClg, SClh |
| 0008 A00Ch | SCIO | I ² C Status Register | SISR | 8 | 8 | 2, 3 PCLKB | 2 ICLK | SClg, SClh |
| 0008 A00Dh | SCIO | SPI Mode Register | SPMR | 8 | 8 | 2, 3 PCLKB | 2 ICLK | SClg, SClh |
| 0008 A00Eh | SCIO | Transmit Data Register H | TDRH | 8 | 8 | 2, 3 PCLKB | 2 ICLK | SClg, SClh |
| 0008 A00Fh | SCIO | Transmit Data Register L | TDRL | 8 | 8 | 2, 3 PCLKB | 2 ICLK | SClg, SClh |
| 0008 A00Eh | SCIO | Transmit Data Register HL | TDRHL | 16 | 16 | 4, 5 PCLKB | 2 ICLK | SClg, SClh |
| 0008 A010h | SCIO | Receive Data Register H | RDRH | 8 | 8 | 2, 3 PCLKB | 2 ICLK | SClg, SClh |
| 0008 A011h | SCIO | Receive Data Register L | RDRL | 8 | 8 | 2, 3 PCLKB | 2 ICLK | SClg, SClh |
| 0008 A010h | SCIO | Receive Data Register HL | RDRHL | 16 | 16 | 4, 5 PCLKB | 2 ICLK | SClg, SClh |
| 0008 A012h | SCIO | Modulation Duty Register | MDDR | 8 | 8 | 2, 3 PCLKB | 2 ICLK | SClg, SClh |
| 0008 A020h | SCI1 | Serial Mode Register | SMR | 8 | 8 | 2, 3 PCLKB | 2 ICLK | SClg, SClh |
| 0008 A021h | SCI1 | Bit Rate Register | BRR | 8 | 8 | 2, 3 PCLKB | 2 ICLK | SClg, SClh |
| 0008 A022h | SCI1 | Serial Control Register | SCR | 8 | 8 | 2, 3 PCLKB | 2 ICLK | SClg, SClh |
| 0008 A023h | SCI1 | Transmit Data Register | TDR | 8 | 8 | 2, 3 PCLKB | 2 ICLK | SClg, SClh |
| 0008 A024h | SCI1 | Serial Status Register | SSR | 8 | 8 | 2, 3 PCLKB | 2 ICLK | SClg, SClh |
| 0008 A025h | SCI1 | Receive Data Register | RDR | 8 | 8 | 2, 3 PCLKB | 2 ICLK | SClg, SClh |
| 0008 A026h | SMCI1 | Smart Card Mode Register | SCMR | 8 | 8 | 2, 3 PCLKB | 2 ICLK | SClg, SClh |
| 0008 A027h | SCI1 | Serial Extended Mode Register | SEMR | 8 | 8 | 2, 3 PCLKB | 2 ICLK | SClg, SClh |
| 0008 A028h | SCI1 | Noise Filter Setting Register | SNFR | 8 | 8 | 2, 3 PCLKB | 2 ICLK | SClg, SClh |
| 0008 A029h | SCI1 | I ² C Mode Register 1 | SIMR1 | 8 | 8 | 2, 3 PCLKB | 2 ICLK | SClg, SClh |
| 0008 A02Ah | SCI1 | I ² C Mode Register 2 | SIMR2 | 8 | 8 | 2, 3 PCLKB | 2 ICLK | SClg, SClh |
| 0008 A02Bh | SCI1 | I ² C Mode Register 3 | SIMR3 | 8 | 8 | 2, 3 PCLKB | 2 ICLK | SClg, SClh |
| 0008 A02Ch | SCI1 | I ² C Status Register | SISR | 8 | 8 | 2, 3 PCLKB | 2 ICLK | SClg, SClh |
| 0008 A02Dh | SCI1 | SPI Mode Register | SPMR | 8 | 8 | 2, 3 PCLKB | 2 ICLK | SClg, SClh |
| 0008 A02Eh | SCI1 | Transmit Data Register H | TDRH | 8 | 8 | 2, 3 PCLKB | 2 ICLK | SClg, SClh |
| 0008 A02Fh | SCI1 | Transmit Data Register L | TDRL | 8 | 8 | 2, 3 PCLKB | 2 ICLK | SClg, SClh |
| 0008 A02Eh | SCI1 | Transmit Data Register HL | TDRHL | 16 | 16 | 4, 5 PCLKB | 2 ICLK | SClg, SClh |
| 0008 A030h | SCI1 | Receive Data Register H | RDRH | 8 | 8 | 2, 3 PCLKB | 2 ICLK | SClg, SClh |
| 0008 A031h | SCI1 | Receive Data Register L | RDRL | 8 | 8 | 2, 3 PCLKB | 2 ICLK | SClg, SClh |

Table 4.1 List of I/O Registers (Address Order) (23 / 67)

| Address | Module Symbol | Register Name | Register Symbol | Number of Bits | Access Size | Number of Access Cycles | | Related Function |
|------------|---------------|----------------------------------|-----------------|----------------|-------------|-------------------------|-------------|------------------|
| | | | | | | ICLK ≥ PCLK | ICLK < PCLK | |
| 0008 A030h | SCI1 | Receive Data Register HL | RDRHL | 16 | 16 | 4, 5 PCLKB | 2 ICLK | SClg, SClh |
| 0008 A032h | SCI1 | Modulation Duty Register | MDDR | 8 | 8 | 2, 3 PCLKB | 2 ICLK | SClg, SClh |
| 0008 A040h | SCI2 | Serial Mode Register | SMR | 8 | 8 | 2, 3 PCLKB | 2 ICLK | SClg, SClh |
| 0008 A041h | SCI2 | Bit Rate Register | BRR | 8 | 8 | 2, 3 PCLKB | 2 ICLK | SClg, SClh |
| 0008 A042h | SCI2 | Serial Control Register | SCR | 8 | 8 | 2, 3 PCLKB | 2 ICLK | SClg, SClh |
| 0008 A043h | SCI2 | Transmit Data Register | TDR | 8 | 8 | 2, 3 PCLKB | 2 ICLK | SClg, SClh |
| 0008 A044h | SCI2 | Serial Status Register | SSR | 8 | 8 | 2, 3 PCLKB | 2 ICLK | SClg, SClh |
| 0008 A045h | SCI2 | Receive Data Register | RDR | 8 | 8 | 2, 3 PCLKB | 2 ICLK | SClg, SClh |
| 0008 A046h | SMCI2 | Smart Card Mode Register | SCMR | 8 | 8 | 2, 3 PCLKB | 2 ICLK | SClg, SClh |
| 0008 A047h | SCI2 | Serial Extended Mode Register | SEMR | 8 | 8 | 2, 3 PCLKB | 2 ICLK | SClg, SClh |
| 0008 A048h | SCI2 | Noise Filter Setting Register | SNFR | 8 | 8 | 2, 3 PCLKB | 2 ICLK | SClg, SClh |
| 0008 A049h | SCI2 | I ² C Mode Register 1 | SIMR1 | 8 | 8 | 2, 3 PCLKB | 2 ICLK | SClg, SClh |
| 0008 A04Ah | SCI2 | I ² C Mode Register 2 | SIMR2 | 8 | 8 | 2, 3 PCLKB | 2 ICLK | SClg, SClh |
| 0008 A04Bh | SCI2 | I ² C Mode Register 3 | SIMR3 | 8 | 8 | 2, 3 PCLKB | 2 ICLK | SClg, SClh |
| 0008 A04Ch | SCI2 | I ² C Status Register | SISR | 8 | 8 | 2, 3 PCLKB | 2 ICLK | SClg, SClh |
| 0008 A04Dh | SCI2 | SPI Mode Register | SPMR | 8 | 8 | 2, 3 PCLKB | 2 ICLK | SClg, SClh |
| 0008 A04Eh | SCI2 | Transmit Data Register H | TDRH | 8 | 8 | 2, 3 PCLKB | 2 ICLK | SClg, SClh |
| 0008 A04Fh | SCI2 | Transmit Data Register L | TDRL | 8 | 8 | 2, 3 PCLKB | 2 ICLK | SClg, SClh |
| 0008 A04Eh | SCI2 | Transmit Data Register HL | TDRHL | 16 | 16 | 4, 5 PCLKB | 2 ICLK | SClg, SClh |
| 0008 A050h | SCI2 | Receive Data Register H | RDRH | 8 | 8 | 2, 3 PCLKB | 2 ICLK | SClg, SClh |
| 0008 A051h | SCI2 | Receive Data Register L | RDRL | 8 | 8 | 2, 3 PCLKB | 2 ICLK | SClg, SClh |
| 0008 A050h | SCI2 | Receive Data Register HL | RDRHL | 16 | 16 | 4, 5 PCLKB | 2 ICLK | SClg, SClh |
| 0008 A052h | SCI2 | Modulation Duty Register | MDDR | 8 | 8 | 2, 3 PCLKB | 2 ICLK | SClg, SClh |
| 0008 A060h | SCI3 | Serial Mode Register | SMR | 8 | 8 | 2, 3 PCLKB | 2 ICLK | SClg, SClh |
| 0008 A061h | SCI3 | Bit Rate Register | BRR | 8 | 8 | 2, 3 PCLKB | 2 ICLK | SClg, SClh |
| 0008 A062h | SCI3 | Serial Control Register | SCR | 8 | 8 | 2, 3 PCLKB | 2 ICLK | SClg, SClh |
| 0008 A063h | SCI3 | Transmit Data Register | TDR | 8 | 8 | 2, 3 PCLKB | 2 ICLK | SClg, SClh |
| 0008 A064h | SCI3 | Serial Status Register | SSR | 8 | 8 | 2, 3 PCLKB | 2 ICLK | SClg, SClh |
| 0008 A065h | SCI3 | Receive Data Register | RDR | 8 | 8 | 2, 3 PCLKB | 2 ICLK | SClg, SClh |
| 0008 A066h | SMCI3 | Smart Card Mode Register | SCMR | 8 | 8 | 2, 3 PCLKB | 2 ICLK | SClg, SClh |
| 0008 A067h | SCI3 | Serial Extended Mode Register | SEMR | 8 | 8 | 2, 3 PCLKB | 2 ICLK | SClg, SClh |

Table 4.1 List of I/O Registers (Address Order) (24 / 67)

| Address | Module Symbol | Register Name | Register Symbol | Number of Bits | Access Size | Number of Access Cycles | | Related Function |
|------------|---------------|----------------------------------|-----------------|----------------|-------------|-------------------------|-------------|------------------|
| | | | | | | ICLK ≥ PCLK | ICLK < PCLK | |
| 0008 A068h | SCI3 | Noise Filter Setting Register | SNFR | 8 | 8 | 2, 3 PCLKB | 2 ICLK | SClg, SClh |
| 0008 A069h | SCI3 | I ² C Mode Register 1 | SIMR1 | 8 | 8 | 2, 3 PCLKB | 2 ICLK | SClg, SClh |
| 0008 A06Ah | SCI3 | I ² C Mode Register 2 | SIMR2 | 8 | 8 | 2, 3 PCLKB | 2 ICLK | SClg, SClh |
| 0008 A06Bh | SCI3 | I ² C Mode Register 3 | SIMR3 | 8 | 8 | 2, 3 PCLKB | 2 ICLK | SClg, SClh |
| 0008 A06Ch | SCI3 | I ² C Status Register | SISR | 8 | 8 | 2, 3 PCLKB | 2 ICLK | SClg, SClh |
| 0008 A06Dh | SCI3 | SPI Mode Register | SPMR | 8 | 8 | 2, 3 PCLKB | 2 ICLK | SClg, SClh |
| 0008 A06Eh | SCI3 | Transmit Data Register H | TDRH | 8 | 8 | 2, 3 PCLKB | 2 ICLK | SClg, SClh |
| 0008 A06Fh | SCI3 | Transmit Data Register L | TDRL | 8 | 8 | 2, 3 PCLKB | 2 ICLK | SClg, SClh |
| 0008 A06Eh | SCI3 | Transmit Data Register HL | TDRHL | 16 | 16 | 4, 5 PCLKB | 2 ICLK | SClg, SClh |
| 0008 A070h | SCI3 | Receive Data Register H | RDRH | 8 | 8 | 2, 3 PCLKB | 2 ICLK | SClg, SClh |
| 0008 A071h | SCI3 | Receive Data Register L | RDRL | 8 | 8 | 2, 3 PCLKB | 2 ICLK | SClg, SClh |
| 0008 A070h | SCI3 | Receive Data Register HL | RDRHL | 16 | 16 | 4, 5 PCLKB | 2 ICLK | SClg, SClh |
| 0008 A072h | SCI3 | Modulation Duty Register | MDDR | 8 | 8 | 2, 3 PCLKB | 2 ICLK | SClg, SClh |
| 0008 A080h | SCI4 | Serial Mode Register | SMR | 8 | 8 | 2, 3 PCLKB | 2 ICLK | SClg, SClh |
| 0008 A081h | SCI4 | Bit Rate Register | BRR | 8 | 8 | 2, 3 PCLKB | 2 ICLK | SClg, SClh |
| 0008 A082h | SCI4 | Serial Control Register | SCR | 8 | 8 | 2, 3 PCLKB | 2 ICLK | SClg, SClh |
| 0008 A083h | SCI4 | Transmit Data Register | TDR | 8 | 8 | 2, 3 PCLKB | 2 ICLK | SClg, SClh |
| 0008 A084h | SCI4 | Serial Status Register | SSR | 8 | 8 | 2, 3 PCLKB | 2 ICLK | SClg, SClh |
| 0008 A085h | SCI4 | Receive Data Register | RDR | 8 | 8 | 2, 3 PCLKB | 2 ICLK | SClg, SClh |
| 0008 A086h | SMCI4 | Smart Card Mode Register | SCMR | 8 | 8 | 2, 3 PCLKB | 2 ICLK | SClg, SClh |
| 0008 A087h | SCI4 | Serial Extended Mode Register | SEMR | 8 | 8 | 2, 3 PCLKB | 2 ICLK | SClg, SClh |
| 0008 A088h | SCI4 | Noise Filter Setting Register | SNFR | 8 | 8 | 2, 3 PCLKB | 2 ICLK | SClg, SClh |
| 0008 A089h | SCI4 | I ² C Mode Register 1 | SIMR1 | 8 | 8 | 2, 3 PCLKB | 2 ICLK | SClg, SClh |
| 0008 A08Ah | SCI4 | I ² C Mode Register 2 | SIMR2 | 8 | 8 | 2, 3 PCLKB | 2 ICLK | SClg, SClh |
| 0008 A08Bh | SCI4 | I ² C Mode Register 3 | SIMR3 | 8 | 8 | 2, 3 PCLKB | 2 ICLK | SClg, SClh |
| 0008 A08Ch | SCI4 | I ² C Status Register | SISR | 8 | 8 | 2, 3 PCLKB | 2 ICLK | SClg, SClh |
| 0008 A08Dh | SCI4 | SPI Mode Register | SPMR | 8 | 8 | 2, 3 PCLKB | 2 ICLK | SClg, SClh |
| 0008 A08Eh | SCI4 | Transmit Data Register H | TDRH | 8 | 8 | 2, 3 PCLKB | 2 ICLK | SClg, SClh |
| 0008 A08Fh | SCI4 | Transmit Data Register L | TDRL | 8 | 8 | 2, 3 PCLKB | 2 ICLK | SClg, SClh |
| 0008 A08Eh | SCI4 | Transmit Data Register HL | TDRHL | 16 | 16 | 4, 5 PCLKB | 2 ICLK | SClg, SClh |
| 0008 A090h | SCI4 | Receive Data Register H | RDRH | 8 | 8 | 2, 3 PCLKB | 2 ICLK | SClg, SClh |

Table 4.1 List of I/O Registers (Address Order) (25 / 67)

| Address | Module Symbol | Register Name | Register Symbol | Number of Bits | Access Size | Number of Access Cycles | | Related Function |
|------------|---------------|----------------------------------|-----------------|----------------|-------------|-------------------------|-------------|------------------|
| | | | | | | ICLK ≥ PCLK | ICLK < PCLK | |
| 0008 A091h | SCI4 | Receive Data Register L | RDRL | 8 | 8 | 2, 3 PCLKB | 2 ICLK | SClg, SClh |
| 0008 A090h | SCI4 | Receive Data Register HL | RDRHL | 16 | 16 | 4, 5 PCLKB | 2 ICLK | SClg, SClh |
| 0008 A092h | SCI4 | Modulation Duty Register | MDDR | 8 | 8 | 2, 3 PCLKB | 2 ICLK | SClg, SClh |
| 0008 A0A0h | SCI5 | Serial Mode Register | SMR | 8 | 8 | 2, 3 PCLKB | 2 ICLK | SClg, SClh |
| 0008 A0A1h | SCI5 | Bit Rate Register | BRR | 8 | 8 | 2, 3 PCLKB | 2 ICLK | SClg, SClh |
| 0008 A0A2h | SCI5 | Serial Control Register | SCR | 8 | 8 | 2, 3 PCLKB | 2 ICLK | SClg, SClh |
| 0008 A0A3h | SCI5 | Transmit Data Register | TDR | 8 | 8 | 2, 3 PCLKB | 2 ICLK | SClg, SClh |
| 0008 A0A4h | SCI5 | Serial Status Register | SSR | 8 | 8 | 2, 3 PCLKB | 2 ICLK | SClg, SClh |
| 0008 A0A5h | SCI5 | Receive Data Register | RDR | 8 | 8 | 2, 3 PCLKB | 2 ICLK | SClg, SClh |
| 0008 A0A6h | SMCI5 | Smart Card Mode Register | SCMR | 8 | 8 | 2, 3 PCLKB | 2 ICLK | SClg, SClh |
| 0008 A0A7h | SCI5 | Serial Extended Mode Register | SEMR | 8 | 8 | 2, 3 PCLKB | 2 ICLK | SClg, SClh |
| 0008 A0A8h | SCI5 | Noise Filter Setting Register | SNFR | 8 | 8 | 2, 3 PCLKB | 2 ICLK | SClg, SClh |
| 0008 A0A9h | SCI5 | I ² C Mode Register 1 | SIMR1 | 8 | 8 | 2, 3 PCLKB | 2 ICLK | SClg, SClh |
| 0008 A0AAh | SCI5 | I ² C Mode Register 2 | SIMR2 | 8 | 8 | 2, 3 PCLKB | 2 ICLK | SClg, SClh |
| 0008 A0ABh | SCI5 | I ² C Mode Register 3 | SIMR3 | 8 | 8 | 2, 3 PCLKB | 2 ICLK | SClg, SClh |
| 0008 A0ACh | SCI5 | I ² C Status Register | SISR | 8 | 8 | 2, 3 PCLKB | 2 ICLK | SClg, SClh |
| 0008 A0ADh | SCI5 | SPI Mode Register | SPMR | 8 | 8 | 2, 3 PCLKB | 2 ICLK | SClg, SClh |
| 0008 A0AEh | SCI5 | Transmit Data Register H | TDRH | 8 | 8 | 2, 3 PCLKB | 2 ICLK | SClg, SClh |
| 0008 A0AFh | SCI5 | Transmit Data Register L | TDRL | 8 | 8 | 2, 3 PCLKB | 2 ICLK | SClg, SClh |
| 0008 A0AEh | SCI5 | Transmit Data Register HL | TDRHL | 16 | 16 | 4, 5 PCLKB | 2 ICLK | SClg, SClh |
| 0008 A0B0h | SCI5 | Receive Data Register H | RDRH | 8 | 8 | 2, 3 PCLKB | 2 ICLK | SClg, SClh |
| 0008 A0B1h | SCI5 | Receive Data Register L | RDRL | 8 | 8 | 2, 3 PCLKB | 2 ICLK | SClg, SClh |
| 0008 A0B0h | SCI5 | Receive Data Register HL | RDRHL | 16 | 16 | 4, 5 PCLKB | 2 ICLK | SClg, SClh |
| 0008 A0B2h | SCI5 | Modulation Duty Register | MDDR | 8 | 8 | 2, 3 PCLKB | 2 ICLK | SClg, SClh |
| 0008 A0C0h | SCI6 | Serial Mode Register | SMR | 8 | 8 | 2, 3 PCLKB | 2 ICLK | SClg, SClh |
| 0008 A0C1h | SCI6 | Bit Rate Register | BRR | 8 | 8 | 2, 3 PCLKB | 2 ICLK | SClg, SClh |
| 0008 A0C2h | SCI6 | Serial Control Register | SCR | 8 | 8 | 2, 3 PCLKB | 2 ICLK | SClg, SClh |
| 0008 A0C3h | SCI6 | Transmit Data Register | TDR | 8 | 8 | 2, 3 PCLKB | 2 ICLK | SClg, SClh |
| 0008 A0C4h | SCI6 | Serial Status Register | SSR | 8 | 8 | 2, 3 PCLKB | 2 ICLK | SClg, SClh |
| 0008 A0C5h | SCI6 | Receive Data Register | RDR | 8 | 8 | 2, 3 PCLKB | 2 ICLK | SClg, SClh |
| 0008 A0C6h | SMCI6 | Smart Card Mode Register | SCMR | 8 | 8 | 2, 3 PCLKB | 2 ICLK | SClg, SClh |

Table 4.1 List of I/O Registers (Address Order) (26 / 67)

| Address | Module Symbol | Register Name | Register Symbol | Number of Bits | Access Size | Number of Access Cycles | | Related Function |
|------------|---------------|----------------------------------|-----------------|----------------|-------------|-------------------------|-------------|------------------|
| | | | | | | ICLK ≥ PCLK | ICLK < PCLK | |
| 0008 A0C7h | SCI6 | Serial Extended Mode Register | SEMR | 8 | 8 | 2, 3 PCLKB | 2 ICLK | SClg, SClh |
| 0008 A0C8h | SCI6 | Noise Filter Setting Register | SNFR | 8 | 8 | 2, 3 PCLKB | 2 ICLK | SClg, SClh |
| 0008 A0C9h | SCI6 | I ² C Mode Register 1 | SIMR1 | 8 | 8 | 2, 3 PCLKB | 2 ICLK | SClg, SClh |
| 0008 A0CAh | SCI6 | I ² C Mode Register 2 | SIMR2 | 8 | 8 | 2, 3 PCLKB | 2 ICLK | SClg, SClh |
| 0008 A0CBh | SCI6 | I ² C Mode Register 3 | SIMR3 | 8 | 8 | 2, 3 PCLKB | 2 ICLK | SClg, SClh |
| 0008 A0CCh | SCI6 | I ² C Status Register | SISR | 8 | 8 | 2, 3 PCLKB | 2 ICLK | SClg, SClh |
| 0008 A0CDh | SCI6 | SPI Mode Register | SPMR | 8 | 8 | 2, 3 PCLKB | 2 ICLK | SClg, SClh |
| 0008 A0CEh | SCI6 | Transmit Data Register H | TDRH | 8 | 8 | 2, 3 PCLKB | 2 ICLK | SClg, SClh |
| 0008 A0CFh | SCI6 | Transmit Data Register L | TDRL | 8 | 8 | 2, 3 PCLKB | 2 ICLK | SClg, SClh |
| 0008 A0CEh | SCI6 | Transmit Data Register HL | TDRHL | 16 | 16 | 4, 5 PCLKB | 2 ICLK | SClg, SClh |
| 0008 A0D0h | SCI6 | Receive Data Register H | RDRH | 8 | 8 | 2, 3 PCLKB | 2 ICLK | SClg, SClh |
| 0008 A0D1h | SCI6 | Receive Data Register L | RDRL | 8 | 8 | 2, 3 PCLKB | 2 ICLK | SClg, SClh |
| 0008 A0D0h | SCI6 | Receive Data Register HL | RDRHL | 16 | 16 | 4, 5 PCLKB | 2 ICLK | SClg, SClh |
| 0008 A0D2h | SCI6 | Modulation Duty Register | MDDR | 8 | 8 | 2, 3 PCLKB | 2 ICLK | SClg, SClh |
| 0008 A0E0h | SCI7 | Serial Mode Register | SMR | 8 | 8 | 2, 3 PCLKB | 2 ICLK | SClg, SClh |
| 0008 A0E1h | SCI7 | Bit Rate Register | BRR | 8 | 8 | 2, 3 PCLKB | 2 ICLK | SClg, SClh |
| 0008 A0E2h | SCI7 | Serial Control Register | SCR | 8 | 8 | 2, 3 PCLKB | 2 ICLK | SClg, SClh |
| 0008 A0E3h | SCI7 | Transmit Data Register | TDR | 8 | 8 | 2, 3 PCLKB | 2 ICLK | SClg, SClh |
| 0008 A0E4h | SCI7 | Serial Status Register | SSR | 8 | 8 | 2, 3 PCLKB | 2 ICLK | SClg, SClh |
| 0008 A0E5h | SCI7 | Receive Data Register | RDR | 8 | 8 | 2, 3 PCLKB | 2 ICLK | SClg, SClh |
| 0008 A0E6h | SMCI7 | Smart Card Mode Register | SCMR | 8 | 8 | 2, 3 PCLKB | 2 ICLK | SClg, SClh |
| 0008 A0E7h | SCI7 | Serial Extended Mode Register | SEMR | 8 | 8 | 2, 3 PCLKB | 2 ICLK | SClg, SClh |
| 0008 A0E8h | SCI7 | Noise Filter Setting Register | SNFR | 8 | 8 | 2, 3 PCLKB | 2 ICLK | SClg, SClh |
| 0008 A0E9h | SCI7 | I ² C Mode Register 1 | SIMR1 | 8 | 8 | 2, 3 PCLKB | 2 ICLK | SClg, SClh |
| 0008 A0EAh | SCI7 | I ² C Mode Register 2 | SIMR2 | 8 | 8 | 2, 3 PCLKB | 2 ICLK | SClg, SClh |
| 0008 A0EBh | SCI7 | I ² C Mode Register 3 | SIMR3 | 8 | 8 | 2, 3 PCLKB | 2 ICLK | SClg, SClh |
| 0008 A0ECh | SCI7 | I ² C Status Register | SISR | 8 | 8 | 2, 3 PCLKB | 2 ICLK | SClg, SClh |
| 0008 A0EDh | SCI7 | SPI Mode Register | SPMR | 8 | 8 | 2, 3 PCLKB | 2 ICLK | SClg, SClh |
| 0008 A0EEh | SCI7 | Transmit Data Register H | TDRH | 8 | 8 | 2, 3 PCLKB | 2 ICLK | SClg, SClh |
| 0008 A0EFh | SCI7 | Transmit Data Register L | TDRL | 8 | 8 | 2, 3 PCLKB | 2 ICLK | SClg, SClh |
| 0008 A0EEh | SCI7 | Transmit Data Register HL | TDRHL | 16 | 16 | 4, 5 PCLKB | 2 ICLK | SClg, SClh |

Table 4.1 List of I/O Registers (Address Order) (27 / 67)

| Address | Module Symbol | Register Name | Register Symbol | Number of Bits | Access Size | Number of Access Cycles | | Related Function |
|------------|---------------|---------------------------------------|-----------------|----------------|-------------|-------------------------|-------------|------------------|
| | | | | | | ICLK ≥ PCLK | ICLK < PCLK | |
| 0008 A0F0h | SCI7 | Receive Data Register H | RDRH | 8 | 8 | 2, 3 PCLKB | 2 ICLK | SClg, SClh |
| 0008 A0F1h | SCI7 | Receive Data Register L | RDRL | 8 | 8 | 2, 3 PCLKB | 2 ICLK | SClg, SClh |
| 0008 A0F0h | SCI7 | Receive Data Register HL | RDRHL | 16 | 16 | 4, 5 PCLKB | 2 ICLK | SClg, SClh |
| 0008 A0F2h | SCI7 | Modulation Duty Register | MDDR | 8 | 8 | 2, 3 PCLKB | 2 ICLK | SClg, SClh |
| 0008 A500h | SSIO | Control Register | SSICR | 32 | 32 | 2, 3 PCLKB | 2 ICLK | SSI |
| 0008 A504h | SSIO | Status Register | SSISR | 32 | 32 | 2, 3 PCLKB | 2 ICLK | SSI |
| 0008 A510h | SSIO | FIFO Control Register | SSIFCR | 32 | 32 | 2, 3 PCLKB | 2 ICLK | SSI |
| 0008 A514h | SSIO | FIFO Status Register | SSIFSR | 32 | 32 | 2, 3 PCLKB | 2 ICLK | SSI |
| 0008 A518h | SSIO | Transmit FIFO Data Register | SSIFTDR | 32 | 32 | 2, 3 PCLKB | 2 ICLK | SSI |
| 0008 A51Ch | SSIO | Receive FIFO Data Register | SSIFRDR | 32 | 32 | 2, 3 PCLKB | 2 ICLK | SSI |
| 0008 A520h | SSIO | TDM Mode Register | SSITDMR | 32 | 32 | 2, 3 PCLKB | 2 ICLK | SSI |
| 0008 A540h | SSI1 | Control Register | SSICR | 32 | 32 | 2, 3 PCLKB | 2 ICLK | SSI |
| 0008 A544h | SSI1 | Status Register | SSISR | 32 | 32 | 2, 3 PCLKB | 2 ICLK | SSI |
| 0008 A550h | SSI1 | FIFO Control Register | SSIFCR | 32 | 32 | 2, 3 PCLKB | 2 ICLK | SSI |
| 0008 A554h | SSI1 | FIFO Status Register | SSIFSR | 32 | 32 | 2, 3 PCLKB | 2 ICLK | SSI |
| 0008 A558h | SSI1 | Transmit FIFO Data Register | SSIFTDR | 32 | 32 | 2, 3 PCLKB | 2 ICLK | SSI |
| 0008 A55Ch | SSI1 | Receive FIFO Data Register | SSIFRDR | 32 | 32 | 2, 3 PCLKB | 2 ICLK | SSI |
| 0008 A560h | SSI1 | TDM Mode Register | SSITDMR | 32 | 32 | 2, 3 PCLKB | 2 ICLK | SSI |
| 0008 AC00h | SDHI | Command Register | SDCMD | 32 | 32 | 2, 3 PCLKB | 2 ICLK | SDHI |
| 0008 AC08h | SDHI | Argument Register | SDARG | 32 | 32 | 2, 3 PCLKB | 2 ICLK | SDHI |
| 0008 AC10h | SDHI | Data Stop Register | SDSTOP | 32 | 32 | 2, 3 PCLKB | 2 ICLK | SDHI |
| 0008 AC14h | SDHI | Block Count Register | SDBLKCNT | 32 | 32 | 2, 3 PCLKB | 2 ICLK | SDHI |
| 0008 AC18h | SDHI | Response Register 10 | SDRSP10 | 32 | 32 | 2, 3 PCLKB | 2 ICLK | SDHI |
| 0008 AC20h | SDHI | Response Register 32 | SDRSP32 | 32 | 32 | 2, 3 PCLKB | 2 ICLK | SDHI |
| 0008 AC28h | SDHI | Response Register 54 | SDRSP54 | 32 | 32 | 2, 3 PCLKB | 2 ICLK | SDHI |
| 0008 AC30h | SDHI | Response Register 76 | SDRSP76 | 32 | 32 | 2, 3 PCLKB | 2 ICLK | SDHI |
| 0008 AC38h | SDHI | SD Status Register 1 | SDSTS1 | 32 | 32 | 2, 3 PCLKB | 2 ICLK | SDHI |
| 0008 AC3Ch | SDHI | SD Status Register 2 | SDSTS2 | 32 | 32 | 2, 3 PCLKB | 2 ICLK | SDHI |
| 0008 AC40h | SDHI | SD Interrupt Mask Register 1 | SDIMSK1 | 32 | 32 | 2, 3 PCLKB | 2 ICLK | SDHI |
| 0008 AC44h | SDHI | SD Interrupt Mask Register 2 | SDIMSK2 | 32 | 32 | 2, 3 PCLKB | 2 ICLK | SDHI |
| 0008 AC48h | SDHI | SDHI Clock Control Register | SDCLKCR | 32 | 32 | 2, 3 PCLKB | 2 ICLK | SDHI |
| 0008 AC4Ch | SDHI | Transfer Data Size Register | SDSIZE | 32 | 32 | 2, 3 PCLKB | 2 ICLK | SDHI |
| 0008 AC50h | SDHI | Card Access Option Register | SDOPT | 32 | 32 | 2, 3 PCLKB | 2 ICLK | SDHI |
| 0008 AC58h | SDHI | SD Error Status Register 1 | SDERSTS1 | 32 | 32 | 2, 3 PCLKB | 2 ICLK | SDHI |
| 0008 AC5Ch | SDHI | SD Error Status Register 2 | SDERSTS2 | 32 | 32 | 2, 3 PCLKB | 2 ICLK | SDHI |
| 0008 AC60h | SDHI | SD Buffer Register | SDBUFR | 32 | 32 | 2, 3 PCLKB | 2 ICLK | SDHI |
| 0008 AC68h | SDHI | SDIO Mode Control Register | SDIOMD | 32 | 32 | 2, 3 PCLKB | 2 ICLK | SDHI |
| 0008 AC6Ch | SDHI | SDIO Status Register | SDIOSTS | 32 | 32 | 2, 3 PCLKB | 2 ICLK | SDHI |
| 0008 AC70h | SDHI | SDIO Interrupt Mask Register | SDIOIMSK | 32 | 32 | 2, 3 PCLKB | 2 ICLK | SDHI |
| 0008 ADB0h | SDHI | DMA Transfer Enable Register | SDDMAEN | 32 | 32 | 2, 3 PCLKB | 2 ICLK | SDHI |
| 0008 ADC0h | SDHI | SDHI Software Reset Register | SDRST | 32 | 32 | 2, 3 PCLKB | 2 ICLK | SDHI |
| 0008 ADC4h | SDHI | Version Register | SDVER | 32 | 32 | 2, 3 PCLKB | 2 ICLK | SDHI |
| 0008 ADE0h | SDHI | Swap Control Register | SDSWAP | 32 | 32 | 2, 3 PCLKB | 2 ICLK | SDHI |
| 0008 B000h | CAC | CAC Control Register 0 | CACR0 | 8 | 8 | 2, 3 PCLKB | 2 ICLK | CAC |
| 0008 B001h | CAC | CAC Control Register 1 | CACR1 | 8 | 8 | 2, 3 PCLKB | 2 ICLK | CAC |
| 0008 B002h | CAC | CAC Control Register 2 | CACR2 | 8 | 8 | 2, 3 PCLKB | 2 ICLK | CAC |
| 0008 B003h | CAC | CAC Interrupt Request Enable Register | CAICR | 8 | 8 | 2, 3 PCLKB | 2 ICLK | CAC |

Table 4.1 List of I/O Registers (Address Order) (28 / 67)

| Address | Module Symbol | Register Name | Register Symbol | Number of Bits | Access Size | Number of Access Cycles | | Related Function |
|------------|---------------|---|-----------------|----------------|-------------|-------------------------|-------------|------------------|
| | | | | | | ICLK ≥ PCLK | ICLK < PCLK | |
| 0008 B004h | CAC | CAC Status Register | CASTR | 8 | 8 | 2, 3 PCLKB | 2 ICLK | CAC |
| 0008 B006h | CAC | CAC Upper-Limit Value Setting Register | CAULVR | 16 | 16 | 2, 3 PCLKB | 2 ICLK | CAC |
| 0008 B008h | CAC | CAC Lower-Limit Value Setting Register | CALLVR | 16 | 16 | 2, 3 PCLKB | 2 ICLK | CAC |
| 0008 B00Ah | CAC | CAC Counter Buffer Register | CACNTBR | 16 | 16 | 2, 3 PCLKB | 2 ICLK | CAC |
| 0008 B080h | DOC | DOC Control Register | DOCR | 8 | 8 | 2, 3 PCLKB | 2 ICLK | DOC |
| 0008 B082h | DOC | DOC Data Input Register | DODIR | 16 | 16 | 2, 3 PCLKB | 2 ICLK | DOC |
| 0008 B084h | DOC | DOC Data Setting Register | DODSR | 16 | 16 | 2, 3 PCLKB | 2 ICLK | DOC |
| 0008 B100h | ELC | Event Link Control Register | ELCR | 8 | 8 | 2, 3 PCLKB | 2 ICLK | ELC |
| 0008 B101h | ELC | Event Link Setting Register 0 | ELSR0 | 8 | 8 | 2, 3 PCLKB | 2 ICLK | ELC |
| 0008 B104h | ELC | Event Link Setting Register 3 | ELSR3 | 8 | 8 | 2, 3 PCLKB | 2 ICLK | ELC |
| 0008 B105h | ELC | Event Link Setting Register 4 | ELSR4 | 8 | 8 | 2, 3 PCLKB | 2 ICLK | ELC |
| 0008 B108h | ELC | Event Link Setting Register 7 | ELSR7 | 8 | 8 | 2, 3 PCLKB | 2 ICLK | ELC |
| 0008 B10Bh | ELC | Event Link Setting Register 10 | ELSR10 | 8 | 8 | 2, 3 PCLKB | 2 ICLK | ELC |
| 0008 B10Ch | ELC | Event Link Setting Register 11 | ELSR11 | 8 | 8 | 2, 3 PCLKB | 2 ICLK | ELC |
| 0008 B10Dh | ELC | Event Link Setting Register 12 | ELSR12 | 8 | 8 | 2, 3 PCLKB | 2 ICLK | ELC |
| 0008 B10Eh | ELC | Event Link Setting Register 13 | ELSR13 | 8 | 8 | 2, 3 PCLKB | 2 ICLK | ELC |
| 0008 B110h | ELC | Event Link Setting Register 15 | ELSR15 | 8 | 8 | 2, 3 PCLKB | 2 ICLK | ELC |
| 0008 B111h | ELC | Event Link Setting Register 16 | ELSR16 | 8 | 8 | 2, 3 PCLKB | 2 ICLK | ELC |
| 0008 B113h | ELC | Event Link Setting Register 18 | ELSR18 | 8 | 8 | 2, 3 PCLKB | 2 ICLK | ELC |
| 0008 B114h | ELC | Event Link Setting Register 19 | ELSR19 | 8 | 8 | 2, 3 PCLKB | 2 ICLK | ELC |
| 0008 B115h | ELC | Event Link Setting Register 20 | ELSR20 | 8 | 8 | 2, 3 PCLKB | 2 ICLK | ELC |
| 0008 B116h | ELC | Event Link Setting Register 21 | ELSR21 | 8 | 8 | 2, 3 PCLKB | 2 ICLK | ELC |
| 0008 B117h | ELC | Event Link Setting Register 22 | ELSR22 | 8 | 8 | 2, 3 PCLKB | 2 ICLK | ELC |
| 0008 B118h | ELC | Event Link Setting Register 23 | ELSR23 | 8 | 8 | 2, 3 PCLKB | 2 ICLK | ELC |
| 0008 B119h | ELC | Event Link Setting Register 24 | ELSR24 | 8 | 8 | 2, 3 PCLKB | 2 ICLK | ELC |
| 0008 B11Ah | ELC | Event Link Setting Register 25 | ELSR25 | 8 | 8 | 2, 3 PCLKB | 2 ICLK | ELC |
| 0008 B11Bh | ELC | Event Link Setting Register 26 | ELSR26 | 8 | 8 | 2, 3 PCLKB | 2 ICLK | ELC |
| 0008 B11Ch | ELC | Event Link Setting Register 27 | ELSR27 | 8 | 8 | 2, 3 PCLKB | 2 ICLK | ELC |
| 0008 B11Dh | ELC | Event Link Setting Register 28 | ELSR28 | 8 | 8 | 2, 3 PCLKB | 2 ICLK | ELC |
| 0008 B11Fh | ELC | Event Link Option Setting Register A | ELOPA | 8 | 8 | 2, 3 PCLKB | 2 ICLK | ELC |
| 0008 B120h | ELC | Event Link Option Setting Register B | ELOPB | 8 | 8 | 2, 3 PCLKB | 2 ICLK | ELC |
| 0008 B121h | ELC | Event Link Option Setting Register C | ELOPC | 8 | 8 | 2, 3 PCLKB | 2 ICLK | ELC |
| 0008 B122h | ELC | Event Link Option Setting Register D | ELOPD | 8 | 8 | 2, 3 PCLKB | 2 ICLK | ELC |
| 0008 B123h | ELC | Port Group Setting Register 1 | PGR1 | 8 | 8 | 2, 3 PCLKB | 2 ICLK | ELC |
| 0008 B124h | ELC | Port Group Setting Register 2 | PGR2 | 8 | 8 | 2, 3 PCLKB | 2 ICLK | ELC |
| 0008 B125h | ELC | Port Group Control Register 1 | PGC1 | 8 | 8 | 2, 3 PCLKB | 2 ICLK | ELC |
| 0008 B126h | ELC | Port Group Control Register 2 | PGC2 | 8 | 8 | 2, 3 PCLKB | 2 ICLK | ELC |
| 0008 B127h | ELC | Port Buffer Register 1 | PDBF1 | 8 | 8 | 2, 3 PCLKB | 2 ICLK | ELC |
| 0008 B128h | ELC | Port Buffer Register 2 | PDBF2 | 8 | 8 | 2, 3 PCLKB | 2 ICLK | ELC |
| 0008 B129h | ELC | Event Link Port Setting Register 0 | PEL0 | 8 | 8 | 2, 3 PCLKB | 2 ICLK | ELC |
| 0008 B12Ah | ELC | Event Link Port Setting Register 1 | PEL1 | 8 | 8 | 2, 3 PCLKB | 2 ICLK | ELC |
| 0008 B12Bh | ELC | Event Link Port Setting Register 2 | PEL2 | 8 | 8 | 2, 3 PCLKB | 2 ICLK | ELC |
| 0008 B12Ch | ELC | Event Link Port Setting Register 3 | PEL3 | 8 | 8 | 2, 3 PCLKB | 2 ICLK | ELC |
| 0008 B12Dh | ELC | Event Link Software Event Generation Register | ELSEGR | 8 | 8 | 2, 3 PCLKB | 2 ICLK | ELC |
| 0008 B131h | ELC | Event Link Setting Register 33 | ELSR33 | 8 | 8 | 2, 3 PCLKB | 2 ICLK | ELC |
| 0008 B133h | ELC | Event Link Setting Register 35 | ELSR35 | 8 | 8 | 2, 3 PCLKB | 2 ICLK | ELC |
| 0008 B134h | ELC | Event Link Setting Register 36 | ELSR36 | 8 | 8 | 2, 3 PCLKB | 2 ICLK | ELC |
| 0008 B135h | ELC | Event Link Setting Register 37 | ELSR37 | 8 | 8 | 2, 3 PCLKB | 2 ICLK | ELC |
| 0008 B136h | ELC | Event Link Setting Register 38 | ELSR38 | 8 | 8 | 2, 3 PCLKB | 2 ICLK | ELC |
| 0008 B139h | ELC | Event Link Setting Register 41 | ELSR41 | 8 | 8 | 2, 3 PCLKB | 2 ICLK | ELC |

Table 4.1 List of I/O Registers (Address Order) (29 / 67)

| Address | Module Symbol | Register Name | Register Symbol | Number of Bits | Access Size | Number of Access Cycles | | Related Function |
|------------|---------------|---|-----------------|----------------|-------------|-------------------------|-------------|------------------|
| | | | | | | ICLK ≥ PCLK | ICLK < PCLK | |
| 0008 B13Ah | ELC | Event Link Setting Register 42 | ELSR42 | 8 | 8 | 2, 3 PCLKB | 2 ICLK | ELC |
| 0008 B13Bh | ELC | Event Link Setting Register 43 | ELSR43 | 8 | 8 | 2, 3 PCLKB | 2 ICLK | ELC |
| 0008 B13Ch | ELC | Event Link Setting Register 44 | ELSR44 | 8 | 8 | 2, 3 PCLKB | 2 ICLK | ELC |
| 0008 B13Dh | ELC | Event Link Setting Register 45 | ELSR45 | 8 | 8 | 2, 3 PCLKB | 2 ICLK | ELC |
| 0008 B13Fh | ELC | Event Link Option Setting Register F | ELOPF | 8 | 8 | 2, 3 PCLKB | 2 ICLK | ELC |
| 0008 B141h | ELC | Event Link Option Setting Register H | ELOPH | 8 | 8 | 2, 3 PCLKB | 2 ICLK | ELC |
| 0008 B142h | ELC | Event Link Option Setting Register I | ELOPI | 8 | 8 | 2, 3 PCLKB | 2 ICLK | ELC |
| 0008 B143h | ELC | Event Link Option Setting Register J | ELOPJ | 8 | 8 | 2, 3 PCLKB | 2 ICLK | ELC |
| 0008 B300h | SCI12 | Serial Mode Register | SMR | 8 | 8 | 2, 3 PCLKB | 2 ICLK | SCIh |
| 0008 B301h | SCI12 | Bit Rate Register | BRR | 8 | 8 | 2, 3 PCLKB | 2 ICLK | SCIh |
| 0008 B302h | SCI12 | Serial Control Register | SCR | 8 | 8 | 2, 3 PCLKB | 2 ICLK | SCIh |
| 0008 B303h | SCI12 | Transmit Data Register | TDR | 8 | 8 | 2, 3 PCLKB | 2 ICLK | SCIh |
| 0008 B304h | SCI12 | Serial Status Register | SSR | 8 | 8 | 2, 3 PCLKB | 2 ICLK | SCIh |
| 0008 B305h | SCI12 | Receive Data Register | RDR | 8 | 8 | 2, 3 PCLKB | 2 ICLK | SCIh |
| 0008 B306h | SMCI12 | Smart Card Mode Register | SCMR | 8 | 8 | 2, 3 PCLKB | 2 ICLK | SCIh |
| 0008 B307h | SCI12 | Serial Extended Mode Register | SEMR | 8 | 8 | 2, 3 PCLKB | 2 ICLK | SCIh |
| 0008 B308h | SCI12 | Noise Filter Setting Register | SNFR | 8 | 8 | 2, 3 PCLKB | 2 ICLK | SCIh |
| 0008 B309h | SCI12 | I ² C Mode Register 1 | SIMR1 | 8 | 8 | 2, 3 PCLKB | 2 ICLK | SCIh |
| 0008 B30Ah | SCI12 | I ² C Mode Register 2 | SIMR2 | 8 | 8 | 2, 3 PCLKB | 2 ICLK | SCIh |
| 0008 B30Bh | SCI12 | I ² C Mode Register 3 | SIMR3 | 8 | 8 | 2, 3 PCLKB | 2 ICLK | SCIh |
| 0008 B30Ch | SCI12 | I ² C Status Register | SISR | 8 | 8 | 2, 3 PCLKB | 2 ICLK | SCIh |
| 0008 B30Dh | SCI12 | SPI Mode Register | SPMR | 8 | 8 | 2, 3 PCLKB | 2 ICLK | SCIh |
| 0008 B30Eh | SCI12 | Transmit Data Register H | TDRH | 8 | 8 | 2, 3 PCLKB | 2 ICLK | SCIh |
| 0008 B30Fh | SCI12 | Transmit Data Register L | TDRL | 8 | 8 | 2, 3 PCLKB | 2 ICLK | SCIh |
| 0008 B30Eh | SCI12 | Transmit Data Register HL | TDRHL | 16 | 16 | 4, 5 PCLKB | 2 ICLK | SCIh |
| 0008 B310h | SCI12 | Receive Data Register H | RDRH | 8 | 8 | 2, 3 PCLKB | 2 ICLK | SCIh |
| 0008 B311h | SCI12 | Receive Data Register L | RDRL | 8 | 8 | 2, 3 PCLKB | 2 ICLK | SCIh |
| 0008 B310h | SCI12 | Receive Data Register HL | RDRHL | 16 | 16 | 4, 5 PCLKB | 2 ICLK | SCIh |
| 0008 B312h | SCI12 | Modulation Duty Register | MDDR | 8 | 8 | 2, 3 PCLKB | 2 ICLK | SCIh |
| 0008 B320h | SCI12 | Extended Serial Module Enable Register | ESMER | 8 | 8 | 2, 3 PCLKB | 2 ICLK | SCIh |
| 0008 B321h | SCI12 | Control Register 0 | CR0 | 8 | 8 | 2, 3 PCLKB | 2 ICLK | SCIh |
| 0008 B322h | SCI12 | Control Register 1 | CR1 | 8 | 8 | 2, 3 PCLKB | 2 ICLK | SCIh |
| 0008 B323h | SCI12 | Control Register 2 | CR2 | 8 | 8 | 2, 3 PCLKB | 2 ICLK | SCIh |
| 0008 B324h | SCI12 | Control Register 3 | CR3 | 8 | 8 | 2, 3 PCLKB | 2 ICLK | SCIh |
| 0008 B325h | SCI12 | Port Control Register | PCR | 8 | 8 | 2, 3 PCLKB | 2 ICLK | SCIh |
| 0008 B326h | SCI12 | Interrupt Control Register | ICR | 8 | 8 | 2, 3 PCLKB | 2 ICLK | SCIh |
| 0008 B327h | SCI12 | Status Register | STR | 8 | 8 | 2, 3 PCLKB | 2 ICLK | SCIh |
| 0008 B328h | SCI12 | Status Clear Register | STCR | 8 | 8 | 2, 3 PCLKB | 2 ICLK | SCIh |
| 0008 B329h | SCI12 | Control Field 0 Data Register | CF0DR | 8 | 8 | 2, 3 PCLKB | 2 ICLK | SCIh |
| 0008 B32Ah | SCI12 | Control Field 0 Compare Enable Register | CF0CR | 8 | 8 | 2, 3 PCLKB | 2 ICLK | SCIh |
| 0008 B32Bh | SCI12 | Control Field 0 Receive Data Register | CF0RR | 8 | 8 | 2, 3 PCLKB | 2 ICLK | SCIh |
| 0008 B32Ch | SCI12 | Primary Control Field 1 Data Register | PCF1DR | 8 | 8 | 2, 3 PCLKB | 2 ICLK | SCIh |
| 0008 B32Dh | SCI12 | Secondary Control Field 1 Data Register | SCF1DR | 8 | 8 | 2, 3 PCLKB | 2 ICLK | SCIh |
| 0008 B32Eh | SCI12 | Control Field 1 Compare Enable Register | CF1CR | 8 | 8 | 2, 3 PCLKB | 2 ICLK | SCIh |
| 0008 B32Fh | SCI12 | Control Field 1 Receive Data Register | CF1RR | 8 | 8 | 2, 3 PCLKB | 2 ICLK | SCIh |
| 0008 B330h | SCI12 | Timer Control Register | TCR | 8 | 8 | 2, 3 PCLKB | 2 ICLK | SCIh |
| 0008 B331h | SCI12 | Timer Mode Register | TMR | 8 | 8 | 2, 3 PCLKB | 2 ICLK | SCIh |
| 0008 B332h | SCI12 | Timer Prescaler Register | TPRE | 8 | 8 | 2, 3 PCLKB | 2 ICLK | SCIh |
| 0008 B333h | SCI12 | Timer Count Register | TCNT | 8 | 8 | 2, 3 PCLKB | 2 ICLK | SCIh |

Table 4.1 List of I/O Registers (Address Order) (30 / 67)

| Address | Module Symbol | Register Name | Register Symbol | Number of Bits | Access Size | Number of Access Cycles | | Related Function |
|------------|---------------|---------------------------|-----------------|----------------|-------------|-------------------------|--------------|------------------|
| | | | | | | ICLK \geq PCLKB | ICLK < PCLKB | |
| 0008 C000h | PORT0 | Port Direction Register | PDR | 8 | 8 | 2, 3 PCLKB | 2 ICLK | I/O Ports |
| 0008 C001h | PORT1 | Port Direction Register | PDR | 8 | 8 | 2, 3 PCLKB | 2 ICLK | I/O Ports |
| 0008 C002h | PORT2 | Port Direction Register | PDR | 8 | 8 | 2, 3 PCLKB | 2 ICLK | I/O Ports |
| 0008 C003h | PORT3 | Port Direction Register | PDR | 8 | 8 | 2, 3 PCLKB | 2 ICLK | I/O Ports |
| 0008 C004h | PORT4 | Port Direction Register | PDR | 8 | 8 | 2, 3 PCLKB | 2 ICLK | I/O Ports |
| 0008 C005h | PORT5 | Port Direction Register | PDR | 8 | 8 | 2, 3 PCLKB | 2 ICLK | I/O Ports |
| 0008 C006h | PORT6 | Port Direction Register | PDR | 8 | 8 | 2, 3 PCLKB | 2 ICLK | I/O Ports |
| 0008 C007h | PORT7 | Port Direction Register | PDR | 8 | 8 | 2, 3 PCLKB | 2 ICLK | I/O Ports |
| 0008 C008h | PORT8 | Port Direction Register | PDR | 8 | 8 | 2, 3 PCLKB | 2 ICLK | I/O Ports |
| 0008 C009h | PORT9 | Port Direction Register | PDR | 8 | 8 | 2, 3 PCLKB | 2 ICLK | I/O Ports |
| 0008 C00Ah | PORTA | Port Direction Register | PDR | 8 | 8 | 2, 3 PCLKB | 2 ICLK | I/O Ports |
| 0008 C00Bh | PORTB | Port Direction Register | PDR | 8 | 8 | 2, 3 PCLKB | 2 ICLK | I/O Ports |
| 0008 C00Ch | PORTC | Port Direction Register | PDR | 8 | 8 | 2, 3 PCLKB | 2 ICLK | I/O Ports |
| 0008 C00Dh | PORTD | Port Direction Register | PDR | 8 | 8 | 2, 3 PCLKB | 2 ICLK | I/O Ports |
| 0008 C00Eh | PORTE | Port Direction Register | PDR | 8 | 8 | 2, 3 PCLKB | 2 ICLK | I/O Ports |
| 0008 C00Fh | PORTF | Port Direction Register | PDR | 8 | 8 | 2, 3 PCLKB | 2 ICLK | I/O Ports |
| 0008 C010h | PORTG | Port Direction Register | PDR | 8 | 8 | 2, 3 PCLKB | 2 ICLK | I/O Ports |
| 0008 C012h | PORTJ | Port Direction Register | PDR | 8 | 8 | 2, 3 PCLKB | 2 ICLK | I/O Ports |
| 0008 C020h | PORT0 | Port Output Data Register | PODR | 8 | 8 | 2, 3 PCLKB | 2 ICLK | I/O Ports |
| 0008 C021h | PORT1 | Port Output Data Register | PODR | 8 | 8 | 2, 3 PCLKB | 2 ICLK | I/O Ports |
| 0008 C022h | PORT2 | Port Output Data Register | PODR | 8 | 8 | 2, 3 PCLKB | 2 ICLK | I/O Ports |
| 0008 C023h | PORT3 | Port Output Data Register | PODR | 8 | 8 | 2, 3 PCLKB | 2 ICLK | I/O Ports |
| 0008 C024h | PORT4 | Port Output Data Register | PODR | 8 | 8 | 2, 3 PCLKB | 2 ICLK | I/O Ports |
| 0008 C025h | PORT5 | Port Output Data Register | PODR | 8 | 8 | 2, 3 PCLKB | 2 ICLK | I/O Ports |
| 0008 C026h | PORT6 | Port Output Data Register | PODR | 8 | 8 | 2, 3 PCLKB | 2 ICLK | I/O Ports |
| 0008 C027h | PORT7 | Port Output Data Register | PODR | 8 | 8 | 2, 3 PCLKB | 2 ICLK | I/O Ports |
| 0008 C028h | PORT8 | Port Output Data Register | PODR | 8 | 8 | 2, 3 PCLKB | 2 ICLK | I/O Ports |
| 0008 C029h | PORT9 | Port Output Data Register | PODR | 8 | 8 | 2, 3 PCLKB | 2 ICLK | I/O Ports |
| 0008 C02Ah | PORTA | Port Output Data Register | PODR | 8 | 8 | 2, 3 PCLKB | 2 ICLK | I/O Ports |
| 0008 C02Bh | PORTB | Port Output Data Register | PODR | 8 | 8 | 2, 3 PCLKB | 2 ICLK | I/O Ports |
| 0008 C02Ch | PORTC | Port Output Data Register | PODR | 8 | 8 | 2, 3 PCLKB | 2 ICLK | I/O Ports |

Table 4.1 List of I/O Registers (Address Order) (31 / 67)

| Address | Module Symbol | Register Name | Register Symbol | Number of Bits | Access Size | Number of Access Cycles | | Related Function |
|------------|---------------|---------------------------|-----------------|----------------|-------------|-------------------------|--------------|------------------|
| | | | | | | ICLK \geq PCLKB | ICLK < PCLKB | |
| 0008 C02Dh | PORTD | Port Output Data Register | PODR | 8 | 8 | 2, 3 PCLKB | 2 ICLK | I/O Ports |
| 0008 C02Eh | PORTE | Port Output Data Register | PODR | 8 | 8 | 2, 3 PCLKB | 2 ICLK | I/O Ports |
| 0008 C02Fh | PORTF | Port Output Data Register | PODR | 8 | 8 | 2, 3 PCLKB | 2 ICLK | I/O Ports |
| 0008 C030h | PORTG | Port Output Data Register | PODR | 8 | 8 | 2, 3 PCLKB | 2 ICLK | I/O Ports |
| 0008 C032h | PORTJ | Port Output Data Register | PODR | 8 | 8 | 2, 3 PCLKB | 2 ICLK | I/O Ports |
| 0008 C040h | PORT0 | Port Input Register | PIDR | 8 | 8 | 2, 3 PCLKB | 2 ICLK | I/O Ports |
| 0008 C041h | PORT1 | Port Input Register | PIDR | 8 | 8 | 2, 3 PCLKB | 2 ICLK | I/O Ports |
| 0008 C042h | PORT2 | Port Input Register | PIDR | 8 | 8 | 2, 3 PCLKB | 2 ICLK | I/O Ports |
| 0008 C043h | PORT3 | Port Input Register | PIDR | 8 | 8 | 2, 3 PCLKB | 2 ICLK | I/O Ports |
| 0008 C044h | PORT4 | Port Input Register | PIDR | 8 | 8 | 2, 3 PCLKB | 2 ICLK | I/O Ports |
| 0008 C045h | PORT5 | Port Input Register | PIDR | 8 | 8 | 2, 3 PCLKB | 2 ICLK | I/O Ports |
| 0008 C046h | PORT6 | Port Input Register | PIDR | 8 | 8 | 2, 3 PCLKB | 2 ICLK | I/O Ports |
| 0008 C047h | PORT7 | Port Input Register | PIDR | 8 | 8 | 2, 3 PCLKB | 2 ICLK | I/O Ports |
| 0008 C048h | PORT8 | Port Input Register | PIDR | 8 | 8 | 2, 3 PCLKB | 2 ICLK | I/O Ports |
| 0008 C049h | PORT9 | Port Input Register | PIDR | 8 | 8 | 2, 3 PCLKB | 2 ICLK | I/O Ports |
| 0008 C04Ah | PORTA | Port Input Register | PIDR | 8 | 8 | 2, 3 PCLKB | 2 ICLK | I/O Ports |
| 0008 C04Bh | PORTB | Port Input Register | PIDR | 8 | 8 | 2, 3 PCLKB | 2 ICLK | I/O Ports |
| 0008 C04Ch | PORTC | Port Input Register | PIDR | 8 | 8 | 2, 3 PCLKB | 2 ICLK | I/O Ports |
| 0008 C04Dh | PORTD | Port Input Register | PIDR | 8 | 8 | 2, 3 PCLKB | 2 ICLK | I/O Ports |
| 0008 C04Eh | PORTE | Port Input Register | PIDR | 8 | 8 | 2, 3 PCLKB | 2 ICLK | I/O Ports |
| 0008 C04Fh | PORTF | Port Input Register | PIDR | 8 | 8 | 2, 3 PCLKB | 2 ICLK | I/O Ports |
| 0008 C050h | PORTG | Port Input Register | PIDR | 8 | 8 | 2, 3 PCLKB | 2 ICLK | I/O Ports |
| 0008 C052h | PORTJ | Port Input Register | PIDR | 8 | 8 | 2, 3 PCLKB | 2 ICLK | I/O Ports |
| 0008 C060h | PORT0 | Port Mode Register | PMR | 8 | 8 | 2, 3 PCLKB | 2 ICLK | I/O Ports |
| 0008 C061h | PORT1 | Port Mode Register | PMR | 8 | 8 | 2, 3 PCLKB | 2 ICLK | I/O Ports |
| 0008 C062h | PORT2 | Port Mode Register | PMR | 8 | 8 | 2, 3 PCLKB | 2 ICLK | I/O Ports |
| 0008 C063h | PORT3 | Port Mode Register | PMR | 8 | 8 | 2, 3 PCLKB | 2 ICLK | I/O Ports |
| 0008 C064h | PORT4 | Port Mode Register | PMR | 8 | 8 | 2, 3 PCLKB | 2 ICLK | I/O Ports |
| 0008 C065h | PORT5 | Port Mode Register | PMR | 8 | 8 | 2, 3 PCLKB | 2 ICLK | I/O Ports |
| 0008 C066h | PORT6 | Port Mode Register | PMR | 8 | 8 | 2, 3 PCLKB | 2 ICLK | I/O Ports |
| 0008 C067h | PORT7 | Port Mode Register | PMR | 8 | 8 | 2, 3 PCLKB | 2 ICLK | I/O Ports |

Table 4.1 List of I/O Registers (Address Order) (32 / 67)

| Address | Module Symbol | Register Name | Register Symbol | Number of Bits | Access Size | Number of Access Cycles | | Related Function |
|------------|---------------|-------------------------------|-----------------|----------------|-------------|-------------------------|-------------|------------------|
| | | | | | | ICLK \geq PCLK | ICLK < PCLK | |
| 0008 C068h | PORT8 | Port Mode Register | PMR | 8 | 8 | 2, 3 PCLKB | 2 ICLK | I/O Ports |
| 0008 C069h | PORT9 | Port Mode Register | PMR | 8 | 8 | 2, 3 PCLKB | 2 ICLK | I/O Ports |
| 0008 C06Ah | PORTA | Port Mode Register | PMR | 8 | 8 | 2, 3 PCLKB | 2 ICLK | I/O Ports |
| 0008 C06Bh | PORTB | Port Mode Register | PMR | 8 | 8 | 2, 3 PCLKB | 2 ICLK | I/O Ports |
| 0008 C06Ch | PORTC | Port Mode Register | PMR | 8 | 8 | 2, 3 PCLKB | 2 ICLK | I/O Ports |
| 0008 C06Dh | PORTD | Port Mode Register | PMR | 8 | 8 | 2, 3 PCLKB | 2 ICLK | I/O Ports |
| 0008 C06Eh | PORTE | Port Mode Register | PMR | 8 | 8 | 2, 3 PCLKB | 2 ICLK | I/O Ports |
| 0008 C06Fh | PORTF | Port Mode Register | PMR | 8 | 8 | 2, 3 PCLKB | 2 ICLK | I/O Ports |
| 0008 C070h | PORTG | Port Mode Register | PMR | 8 | 8 | 2, 3 PCLKB | 2 ICLK | I/O Ports |
| 0008 C072h | PORTJ | Port Mode Register | PMR | 8 | 8 | 2, 3 PCLKB | 2 ICLK | I/O Ports |
| 0008 C080h | PORT0 | Open-Drain Control Register 0 | ODR0 | 8 | 8 | 2, 3 PCLKB | 2 ICLK | I/O Ports |
| 0008 C081h | PORT0 | Open-Drain Control Register 1 | ODR1 | 8 | 8 | 2, 3 PCLKB | 2 ICLK | I/O Ports |
| 0008 C082h | PORT1 | Open-Drain Control Register 0 | ODR0 | 8 | 8 | 2, 3 PCLKB | 2 ICLK | I/O Ports |
| 0008 C083h | PORT1 | Open-Drain Control Register 1 | ODR1 | 8 | 8 | 2, 3 PCLKB | 2 ICLK | I/O Ports |
| 0008 C084h | PORT2 | Open-Drain Control Register 0 | ODR0 | 8 | 8 | 2, 3 PCLKB | 2 ICLK | I/O Ports |
| 0008 C085h | PORT2 | Open-Drain Control Register 1 | ODR1 | 8 | 8 | 2, 3 PCLKB | 2 ICLK | I/O Ports |
| 0008 C086h | PORT3 | Open-Drain Control Register 0 | ODR0 | 8 | 8 | 2, 3 PCLKB | 2 ICLK | I/O Ports |
| 0008 C087h | PORT3 | Open-Drain Control Register 1 | ODR1 | 8 | 8 | 2, 3 PCLKB | 2 ICLK | I/O Ports |
| 0008 C088h | PORT4 | Open-Drain Control Register 0 | ODR0 | 8 | 8 | 2, 3 PCLKB | 2 ICLK | I/O Ports |
| 0008 C089h | PORT4 | Open-Drain Control Register 1 | ODR1 | 8 | 8 | 2, 3 PCLKB | 2 ICLK | I/O Ports |
| 0008 C08Ah | PORT5 | Open-Drain Control Register 0 | ODR0 | 8 | 8 | 2, 3 PCLKB | 2 ICLK | I/O Ports |
| 0008 C08Bh | PORT5 | Open-Drain Control Register 1 | ODR1 | 8 | 8 | 2, 3 PCLKB | 2 ICLK | I/O Ports |
| 0008 C08Ch | PORT6 | Open-Drain Control Register 0 | ODR0 | 8 | 8 | 2, 3 PCLKB | 2 ICLK | I/O Ports |
| 0008 C08Dh | PORT6 | Open-Drain Control Register 1 | ODR1 | 8 | 8 | 2, 3 PCLKB | 2 ICLK | I/O Ports |
| 0008 C08Eh | PORT7 | Open-Drain Control Register 0 | ODR0 | 8 | 8 | 2, 3 PCLKB | 2 ICLK | I/O Ports |
| 0008 C08Fh | PORT7 | Open-Drain Control Register 1 | ODR1 | 8 | 8 | 2, 3 PCLKB | 2 ICLK | I/O Ports |
| 0008 C090h | PORT8 | Open-Drain Control Register 0 | ODR0 | 8 | 8 | 2, 3 PCLKB | 2 ICLK | I/O Ports |
| 0008 C091h | PORT8 | Open-Drain Control Register 1 | ODR1 | 8 | 8 | 2, 3 PCLKB | 2 ICLK | I/O Ports |
| 0008 C092h | PORT9 | Open-Drain Control Register 0 | ODR0 | 8 | 8 | 2, 3 PCLKB | 2 ICLK | I/O Ports |
| 0008 C093h | PORT9 | Open-Drain Control Register 1 | ODR1 | 8 | 8 | 2, 3 PCLKB | 2 ICLK | I/O Ports |
| 0008 C094h | PORTA | Open-Drain Control Register 0 | ODR0 | 8 | 8 | 2, 3 PCLKB | 2 ICLK | I/O Ports |

Table 4.1 List of I/O Registers (Address Order) (33 / 67)

| Address | Module Symbol | Register Name | Register Symbol | Number of Bits | Access Size | Number of Access Cycles | | Related Function |
|------------|---------------|-----------------------------------|-----------------|----------------|-------------|-------------------------|-------------|------------------|
| | | | | | | ICLK \geq PCLK | ICLK < PCLK | |
| 0008 C095h | PORTA | Open-Drain Control Register 1 | ODR1 | 8 | 8 | 2, 3 PCLK | 2 ICLK | I/O Ports |
| 0008 C096h | PORTB | Open-Drain Control Register 0 | ODR0 | 8 | 8 | 2, 3 PCLK | 2 ICLK | I/O Ports |
| 0008 C097h | PORTB | Open-Drain Control Register 1 | ODR1 | 8 | 8 | 2, 3 PCLK | 2 ICLK | I/O Ports |
| 0008 C098h | PORTC | Open-Drain Control Register 0 | ODR0 | 8 | 8 | 2, 3 PCLK | 2 ICLK | I/O Ports |
| 0008 C099h | PORTC | Open-Drain Control Register 1 | ODR1 | 8 | 8 | 2, 3 PCLK | 2 ICLK | I/O Ports |
| 0008 C09Ah | PORTD | Open-Drain Control Register 0 | ODR0 | 8 | 8 | 2, 3 PCLK | 2 ICLK | I/O Ports |
| 0008 C09Bh | PORTD | Open-Drain Control Register 1 | ODR1 | 8 | 8 | 2, 3 PCLK | 2 ICLK | I/O Ports |
| 0008 C09Ch | PORTE | Open-Drain Control Register 0 | ODR0 | 8 | 8 | 2, 3 PCLK | 2 ICLK | I/O Ports |
| 0008 C09Dh | PORTE | Open-Drain Control Register 1 | ODR1 | 8 | 8 | 2, 3 PCLK | 2 ICLK | I/O Ports |
| 0008 C09Eh | PORTF | Open-Drain Control Register 0 | ODR0 | 8 | 8 | 2, 3 PCLK | 2 ICLK | I/O Ports |
| 0008 C09Fh | PORTF | Open-Drain Control Register 1 | ODR1 | 8 | 8 | 2, 3 PCLK | 2 ICLK | I/O Ports |
| 0008 C0A0h | PORTG | Open-Drain Control Register 0 | ODR0 | 8 | 8 | 2, 3 PCLK | 2 ICLK | I/O Ports |
| 0008 C0A1h | PORTG | Open-Drain Control Register 1 | ODR1 | 8 | 8 | 2, 3 PCLK | 2 ICLK | I/O Ports |
| 0008 C0A4h | PORTJ | Open-Drain Control Register 0 | ODR0 | 8 | 8 | 2, 3 PCLK | 2 ICLK | I/O Ports |
| 0008 C0A5h | PORTJ | Open-Drain Control Register 1 | ODR1 | 8 | 8 | 2, 3 PCLK | 2 ICLK | I/O Ports |
| 0008 C0C0h | PORT0 | Pull-Up Resistor Control Register | PCR | 8 | 8 | 2, 3 PCLK | 2 ICLK | I/O Ports |
| 0008 C0C1h | PORT1 | Pull-Up Resistor Control Register | PCR | 8 | 8 | 2, 3 PCLK | 2 ICLK | I/O Ports |
| 0008 C0C2h | PORT2 | Pull-Up Resistor Control Register | PCR | 8 | 8 | 2, 3 PCLK | 2 ICLK | I/O Ports |
| 0008 C0C3h | PORT3 | Pull-Up Resistor Control Register | PCR | 8 | 8 | 2, 3 PCLK | 2 ICLK | I/O Ports |
| 0008 C0C4h | PORT4 | Pull-Up Resistor Control Register | PCR | 8 | 8 | 2, 3 PCLK | 2 ICLK | I/O Ports |
| 0008 C0C5h | PORT5 | Pull-Up Resistor Control Register | PCR | 8 | 8 | 2, 3 PCLK | 2 ICLK | I/O Ports |
| 0008 C0C6h | PORT6 | Pull-Up Resistor Control Register | PCR | 8 | 8 | 2, 3 PCLK | 2 ICLK | I/O Ports |
| 0008 C0C7h | PORT7 | Pull-Up Resistor Control Register | PCR | 8 | 8 | 2, 3 PCLK | 2 ICLK | I/O Ports |
| 0008 C0C8h | PORT8 | Pull-Up Resistor Control Register | PCR | 8 | 8 | 2, 3 PCLK | 2 ICLK | I/O Ports |
| 0008 C0C9h | PORT9 | Pull-Up Resistor Control Register | PCR | 8 | 8 | 2, 3 PCLK | 2 ICLK | I/O Ports |
| 0008 C0CAh | PORTA | Pull-Up Resistor Control Register | PCR | 8 | 8 | 2, 3 PCLK | 2 ICLK | I/O Ports |
| 0008 C0CBh | PORTB | Pull-Up Resistor Control Register | PCR | 8 | 8 | 2, 3 PCLK | 2 ICLK | I/O Ports |
| 0008 C0CCh | PORTC | Pull-Up Resistor Control Register | PCR | 8 | 8 | 2, 3 PCLK | 2 ICLK | I/O Ports |
| 0008 C0CDh | PORTD | Pull-Up Resistor Control Register | PCR | 8 | 8 | 2, 3 PCLK | 2 ICLK | I/O Ports |
| 0008 C0CEh | PORTE | Pull-Up Resistor Control Register | PCR | 8 | 8 | 2, 3 PCLK | 2 ICLK | I/O Ports |
| 0008 C0CFh | PORTF | Pull-Up Resistor Control Register | PCR | 8 | 8 | 2, 3 PCLK | 2 ICLK | I/O Ports |

Table 4.1 List of I/O Registers (Address Order) (34 / 67)

| Address | Module Symbol | Register Name | Register Symbol | Number of Bits | Access Size | Number of Access Cycles | | Related Function |
|------------|---------------|-----------------------------------|-----------------|----------------|-------------|-------------------------|-------------|------------------|
| | | | | | | ICLK ≥ PCLK | ICLK < PCLK | |
| 0008 C0D0h | PORTG | Pull-Up Resistor Control Register | PCR | 8 | 8 | 2, 3 PCLKB | 2 ICLK | I/O Ports |
| 0008 C0D2h | PORTJ | Pull-Up Resistor Control Register | PCR | 8 | 8 | 2, 3 PCLKB | 2 ICLK | I/O Ports |
| 0008 C0E0h | PORT0 | Drive Capacity Control Register | DSCR | 8 | 8 | 2, 3 PCLKB | 2 ICLK | I/O Ports |
| 0008 C0E2h | PORT2 | Drive Capacity Control Register | DSCR | 8 | 8 | 2, 3 PCLKB | 2 ICLK | I/O Ports |
| 0008 C0E5h | PORT5 | Drive Capacity Control Register | DSCR | 8 | 8 | 2, 3 PCLKB | 2 ICLK | I/O Ports |
| 0008 C0E9h | PORT9 | Drive Capacity Control Register | DSCR | 8 | 8 | 2, 3 PCLKB | 2 ICLK | I/O Ports |
| 0008 C0EAh | PORTA | Drive Capacity Control Register | DSCR | 8 | 8 | 2, 3 PCLKB | 2 ICLK | I/O Ports |
| 0008 C0EBh | PORTB | Drive Capacity Control Register | DSCR | 8 | 8 | 2, 3 PCLKB | 2 ICLK | I/O Ports |
| 0008 C0ECh | PORTC | Drive Capacity Control Register | DSCR | 8 | 8 | 2, 3 PCLKB | 2 ICLK | I/O Ports |
| 0008 C0EDh | PORTD | Drive Capacity Control Register | DSCR | 8 | 8 | 2, 3 PCLKB | 2 ICLK | I/O Ports |
| 0008 C0EEh | PORTE | Drive Capacity Control Register | DSCR | 8 | 8 | 2, 3 PCLKB | 2 ICLK | I/O Ports |
| 0008 C0F0h | PORTG | Drive Capacity Control Register | DSCR | 8 | 8 | 2, 3 PCLKB | 2 ICLK | I/O Ports |
| 0008 C100h | MPC | CS Output Enable Register | PFCSE | 8 | 8 | 2, 3 PCLKB | 2 ICLK | MPC |
| 0008 C102h | MPC | CS Output Pin Select Register 0 | PFCSS0 | 8 | 8 | 2, 3 PCLKB | 2 ICLK | MPC |
| 0008 C103h | MPC | CS Output Pin Select Register 1 | PFCSS1 | 8 | 8 | 2, 3 PCLKB | 2 ICLK | MPC |
| 0008 C104h | MPC | Address Output Enable Register 0 | PFAOE0 | 8 | 8 | 2, 3 PCLKB | 2 ICLK | MPC |
| 0008 C105h | MPC | Address Output Enable Register 1 | PFAOE1 | 8 | 8 | 2, 3 PCLKB | 2 ICLK | MPC |
| 0008 C106h | MPC | External Bus Control Register 0 | PFBCR0 | 8 | 8 | 2, 3 PCLKB | 2 ICLK | MPC |
| 0008 C107h | MPC | External Bus Control Register 1 | PFBCR1 | 8 | 8 | 2, 3 PCLKB | 2 ICLK | MPC |
| 0008 C10Eh | MPC | Ethernet Control Register | PFENET | 8 | 8 | 2, 3 PCLKB | 2 ICLK | MPC |
| 0008 C11Fh | MPC | Write-Protect Register | PWPR | 8 | 8 | 2, 3 PCLKB | 2 ICLK | MPC |
| 0008 C140h | MPC | P00 Pin Function Control Register | P00PFS | 8 | 8 | 2, 3 PCLKB | 2 ICLK | MPC |
| 0008 C141h | MPC | P01 Pin Function Control Register | P01PFS | 8 | 8 | 2, 3 PCLKB | 2 ICLK | MPC |
| 0008 C142h | MPC | P02 Pin Function Control Register | P02PFS | 8 | 8 | 2, 3 PCLKB | 2 ICLK | MPC |
| 0008 C143h | MPC | P03 Pin Function Control Register | P03PFS | 8 | 8 | 2, 3 PCLKB | 2 ICLK | MPC |
| 0008 C145h | MPC | P05 Pin Function Control Register | P05PFS | 8 | 8 | 2, 3 PCLKB | 2 ICLK | MPC |
| 0008 C147h | MPC | P07 Pin Function Control Register | P07PFS | 8 | 8 | 2, 3 PCLKB | 2 ICLK | MPC |
| 0008 C148h | MPC | P10 Pin Function Control Register | P10PFS | 8 | 8 | 2, 3 PCLKB | 2 ICLK | MPC |
| 0008 C149h | MPC | P11 Pin Function Control Register | P11PFS | 8 | 8 | 2, 3 PCLKB | 2 ICLK | MPC |
| 0008 C14Ah | MPC | P12 Pin Function Control Register | P12PFS | 8 | 8 | 2, 3 PCLKB | 2 ICLK | MPC |
| 0008 C14Bh | MPC | P13 Pin Function Control Register | P13PFS | 8 | 8 | 2, 3 PCLKB | 2 ICLK | MPC |
| 0008 C14Ch | MPC | P14 Pin Function Control Register | P14PFS | 8 | 8 | 2, 3 PCLKB | 2 ICLK | MPC |
| 0008 C14Dh | MPC | P15 Pin Function Control Register | P15PFS | 8 | 8 | 2, 3 PCLKB | 2 ICLK | MPC |
| 0008 C14Eh | MPC | P16 Pin Function Control Register | P16PFS | 8 | 8 | 2, 3 PCLKB | 2 ICLK | MPC |
| 0008 C14Fh | MPC | P17 Pin Function Control Register | P17PFS | 8 | 8 | 2, 3 PCLKB | 2 ICLK | MPC |
| 0008 C150h | MPC | P20 Pin Function Control Register | P20PFS | 8 | 8 | 2, 3 PCLKB | 2 ICLK | MPC |
| 0008 C151h | MPC | P21 Pin Function Control Register | P21PFS | 8 | 8 | 2, 3 PCLKB | 2 ICLK | MPC |
| 0008 C152h | MPC | P22 Pin Function Control Register | P22PFS | 8 | 8 | 2, 3 PCLKB | 2 ICLK | MPC |
| 0008 C153h | MPC | P23 Pin Function Control Register | P23PFS | 8 | 8 | 2, 3 PCLKB | 2 ICLK | MPC |
| 0008 C154h | MPC | P24 Pin Function Control Register | P24PFS | 8 | 8 | 2, 3 PCLKB | 2 ICLK | MPC |
| 0008 C155h | MPC | P25 Pin Function Control Register | P25PFS | 8 | 8 | 2, 3 PCLKB | 2 ICLK | MPC |
| 0008 C156h | MPC | P26 Pin Function Control Register | P26PFS | 8 | 8 | 2, 3 PCLKB | 2 ICLK | MPC |
| 0008 C157h | MPC | P27 Pin Function Control Register | P27PFS | 8 | 8 | 2, 3 PCLKB | 2 ICLK | MPC |

Table 4.1 List of I/O Registers (Address Order) (35 / 67)

| Address | Module Symbol | Register Name | Register Symbol | Number of Bits | Access Size | Number of Access Cycles | | Related Function |
|------------|---------------|-----------------------------------|-----------------|----------------|-------------|-------------------------|-------------|------------------|
| | | | | | | ICLK ≥ PCLK | ICLK < PCLK | |
| 0008 C158h | MPC | P30 Pin Function Control Register | P30PFS | 8 | 8 | 2, 3 PCLK | 2 ICLK | MPC |
| 0008 C159h | MPC | P31 Pin Function Control Register | P31PFS | 8 | 8 | 2, 3 PCLK | 2 ICLK | MPC |
| 0008 C15Ah | MPC | P32 Pin Function Control Register | P32PFS | 8 | 8 | 2, 3 PCLK | 2 ICLK | MPC |
| 0008 C15Bh | MPC | P33 Pin Function Control Register | P33PFS | 8 | 8 | 2, 3 PCLK | 2 ICLK | MPC |
| 0008 C15Ch | MPC | P34 Pin Function Control Register | P34PFS | 8 | 8 | 2, 3 PCLK | 2 ICLK | MPC |
| 0008 C160h | MPC | P40 Pin Function Control Register | P40PFS | 8 | 8 | 2, 3 PCLK | 2 ICLK | MPC |
| 0008 C161h | MPC | P41 Pin Function Control Register | P41PFS | 8 | 8 | 2, 3 PCLK | 2 ICLK | MPC |
| 0008 C162h | MPC | P42 Pin Function Control Register | P42PFS | 8 | 8 | 2, 3 PCLK | 2 ICLK | MPC |
| 0008 C163h | MPC | P43 Pin Function Control Register | P43PFS | 8 | 8 | 2, 3 PCLK | 2 ICLK | MPC |
| 0008 C164h | MPC | P44 Pin Function Control Register | P44PFS | 8 | 8 | 2, 3 PCLK | 2 ICLK | MPC |
| 0008 C165h | MPC | P45 Pin Function Control Register | P45PFS | 8 | 8 | 2, 3 PCLK | 2 ICLK | MPC |
| 0008 C166h | MPC | P46 Pin Function Control Register | P46PFS | 8 | 8 | 2, 3 PCLK | 2 ICLK | MPC |
| 0008 C167h | MPC | P47 Pin Function Control Register | P47PFS | 8 | 8 | 2, 3 PCLK | 2 ICLK | MPC |
| 0008 C168h | MPC | P50 Pin Function Control Register | P50PFS | 8 | 8 | 2, 3 PCLK | 2 ICLK | MPC |
| 0008 C169h | MPC | P51 Pin Function Control Register | P51PFS | 8 | 8 | 2, 3 PCLK | 2 ICLK | MPC |
| 0008 C16Ah | MPC | P52 Pin Function Control Register | P52PFS | 8 | 8 | 2, 3 PCLK | 2 ICLK | MPC |
| 0008 C16Ch | MPC | P54 Pin Function Control Register | P54PFS | 8 | 8 | 2, 3 PCLK | 2 ICLK | MPC |
| 0008 C16Dh | MPC | P55 Pin Function Control Register | P55PFS | 8 | 8 | 2, 3 PCLK | 2 ICLK | MPC |
| 0008 C16Eh | MPC | P56 Pin Function Control Register | P56PFS | 8 | 8 | 2, 3 PCLK | 2 ICLK | MPC |
| 0008 C170h | MPC | P60 Pin Function Control Register | P60PFS | 8 | 8 | 2, 3 PCLK | 2 ICLK | MPC |
| 0008 C176h | MPC | P66 Pin Function Control Register | P66PFS | 8 | 8 | 2, 3 PCLK | 2 ICLK | MPC |
| 0008 C177h | MPC | P67 Pin Function Control Register | P67PFS | 8 | 8 | 2, 3 PCLK | 2 ICLK | MPC |
| 0008 C179h | MPC | P71 Pin Function Control Register | P71PFS | 8 | 8 | 2, 3 PCLK | 2 ICLK | MPC |
| 0008 C17Ah | MPC | P72 Pin Function Control Register | P72PFS | 8 | 8 | 2, 3 PCLK | 2 ICLK | MPC |
| 0008 C17Bh | MPC | P73 Pin Function Control Register | P73PFS | 8 | 8 | 2, 3 PCLK | 2 ICLK | MPC |
| 0008 C17Ch | MPC | P74 Pin Function Control Register | P74PFS | 8 | 8 | 2, 3 PCLK | 2 ICLK | MPC |
| 0008 C17Dh | MPC | P75 Pin Function Control Register | P75PFS | 8 | 8 | 2, 3 PCLK | 2 ICLK | MPC |
| 0008 C17Eh | MPC | P76 Pin Function Control Register | P76PFS | 8 | 8 | 2, 3 PCLK | 2 ICLK | MPC |
| 0008 C17Fh | MPC | P77 Pin Function Control Register | P77PFS | 8 | 8 | 2, 3 PCLK | 2 ICLK | MPC |
| 0008 C180h | MPC | P80 Pin Function Control Register | P80PFS | 8 | 8 | 2, 3 PCLK | 2 ICLK | MPC |
| 0008 C181h | MPC | P81 Pin Function Control Register | P81PFS | 8 | 8 | 2, 3 PCLK | 2 ICLK | MPC |
| 0008 C182h | MPC | P82 Pin Function Control Register | P82PFS | 8 | 8 | 2, 3 PCLK | 2 ICLK | MPC |
| 0008 C183h | MPC | P83 Pin Function Control Register | P83PFS | 8 | 8 | 2, 3 PCLK | 2 ICLK | MPC |
| 0008 C186h | MPC | P86 Pin Function Control Register | P86PFS | 8 | 8 | 2, 3 PCLK | 2 ICLK | MPC |
| 0008 C187h | MPC | P87 Pin Function Control Register | P87PFS | 8 | 8 | 2, 3 PCLK | 2 ICLK | MPC |
| 0008 C188h | MPC | P90 Pin Function Control Register | P90PFS | 8 | 8 | 2, 3 PCLK | 2 ICLK | MPC |
| 0008 C189h | MPC | P91 Pin Function Control Register | P91PFS | 8 | 8 | 2, 3 PCLK | 2 ICLK | MPC |
| 0008 C18Ah | MPC | P92 Pin Function Control Register | P92PFS | 8 | 8 | 2, 3 PCLK | 2 ICLK | MPC |
| 0008 C18Bh | MPC | P93 Pin Function Control Register | P93PFS | 8 | 8 | 2, 3 PCLK | 2 ICLK | MPC |
| 0008 C18Ch | MPC | P94 Pin Function Control Register | P94PFS | 8 | 8 | 2, 3 PCLK | 2 ICLK | MPC |
| 0008 C18Dh | MPC | P95 Pin Function Control Register | P95PFS | 8 | 8 | 2, 3 PCLK | 2 ICLK | MPC |
| 0008 C18Eh | MPC | P96 Pin Function Control Register | P96PFS | 8 | 8 | 2, 3 PCLK | 2 ICLK | MPC |
| 0008 C18Fh | MPC | P97 Pin Function Control Register | P97PFS | 8 | 8 | 2, 3 PCLK | 2 ICLK | MPC |
| 0008 C190h | MPC | PA0 Pin Function Control Register | PA0PFS | 8 | 8 | 2, 3 PCLK | 2 ICLK | MPC |
| 0008 C191h | MPC | PA1 Pin Function Control Register | PA1PFS | 8 | 8 | 2, 3 PCLK | 2 ICLK | MPC |
| 0008 C192h | MPC | PA2 Pin Function Control Register | PA2PFS | 8 | 8 | 2, 3 PCLK | 2 ICLK | MPC |
| 0008 C193h | MPC | PA3 Pin Function Control Register | PA3PFS | 8 | 8 | 2, 3 PCLK | 2 ICLK | MPC |
| 0008 C194h | MPC | PA4 Pin Function Control Register | PA4PFS | 8 | 8 | 2, 3 PCLK | 2 ICLK | MPC |
| 0008 C195h | MPC | PA5 Pin Function Control Register | PA5PFS | 8 | 8 | 2, 3 PCLK | 2 ICLK | MPC |
| 0008 C196h | MPC | PA6 Pin Function Control Register | PA6PFS | 8 | 8 | 2, 3 PCLK | 2 ICLK | MPC |

Table 4.1 List of I/O Registers (Address Order) (36 / 67)

| Address | Module Symbol | Register Name | Register Symbol | Number of Bits | Access Size | Number of Access Cycles | | Related Function |
|------------|---------------|-----------------------------------|-----------------|----------------|-------------|-------------------------|-------------|-----------------------|
| | | | | | | ICLK ≥ PCLK | ICLK < PCLK | |
| 0008 C197h | MPC | PA7 Pin Function Control Register | PA7PFS | 8 | 8 | 2, 3 PCLK | 2 ICLK | MPC |
| 0008 C198h | MPC | PB0 Pin Function Control Register | PB0PFS | 8 | 8 | 2, 3 PCLK | 2 ICLK | MPC |
| 0008 C199h | MPC | PB1 Pin Function Control Register | PB1PFS | 8 | 8 | 2, 3 PCLK | 2 ICLK | MPC |
| 0008 C19Ah | MPC | PB2 Pin Function Control Register | PB2PFS | 8 | 8 | 2, 3 PCLK | 2 ICLK | MPC |
| 0008 C19Bh | MPC | PB3 Pin Function Control Register | PB3PFS | 8 | 8 | 2, 3 PCLK | 2 ICLK | MPC |
| 0008 C19Ch | MPC | PB4 Pin Function Control Register | PB4PFS | 8 | 8 | 2, 3 PCLK | 2 ICLK | MPC |
| 0008 C19Dh | MPC | PB5 Pin Function Control Register | PB5PFS | 8 | 8 | 2, 3 PCLK | 2 ICLK | MPC |
| 0008 C19Eh | MPC | PB6 Pin Function Control Register | PB6PFS | 8 | 8 | 2, 3 PCLK | 2 ICLK | MPC |
| 0008 C19Fh | MPC | PB7 Pin Function Control Register | PB7PFS | 8 | 8 | 2, 3 PCLK | 2 ICLK | MPC |
| 0008 C1A0h | MPC | PC0 Pin Function Control Register | PC0PFS | 8 | 8 | 2, 3 PCLK | 2 ICLK | MPC |
| 0008 C1A1h | MPC | PC1 Pin Function Control Register | PC1PFS | 8 | 8 | 2, 3 PCLK | 2 ICLK | MPC |
| 0008 C1A2h | MPC | PC2 Pin Function Control Register | PC2PFS | 8 | 8 | 2, 3 PCLK | 2 ICLK | MPC |
| 0008 C1A3h | MPC | PC3 Pin Function Control Register | PC3PFS | 8 | 8 | 2, 3 PCLK | 2 ICLK | MPC |
| 0008 C1A4h | MPC | PC4 Pin Function Control Register | PC4PFS | 8 | 8 | 2, 3 PCLK | 2 ICLK | MPC |
| 0008 C1A5h | MPC | PC5 Pin Function Control Register | PC5PFS | 8 | 8 | 2, 3 PCLK | 2 ICLK | MPC |
| 0008 C1A6h | MPC | PC6 Pin Function Control Register | PC6PFS | 8 | 8 | 2, 3 PCLK | 2 ICLK | MPC |
| 0008 C1A7h | MPC | PC7 Pin Function Control Register | PC7PFS | 8 | 8 | 2, 3 PCLK | 2 ICLK | MPC |
| 0008 C1A8h | MPC | PD0 Pin Function Control Register | PD0PFS | 8 | 8 | 2, 3 PCLK | 2 ICLK | MPC |
| 0008 C1A9h | MPC | PD1 Pin Function Control Register | PD1PFS | 8 | 8 | 2, 3 PCLK | 2 ICLK | MPC |
| 0008 C1AAh | MPC | PD2 Pin Function Control Register | PD2PFS | 8 | 8 | 2, 3 PCLK | 2 ICLK | MPC |
| 0008 C1ABh | MPC | PD3 Pin Function Control Register | PD3PFS | 8 | 8 | 2, 3 PCLK | 2 ICLK | MPC |
| 0008 C1ACh | MPC | PD4 Pin Function Control Register | PD4PFS | 8 | 8 | 2, 3 PCLK | 2 ICLK | MPC |
| 0008 C1ADh | MPC | PD5 Pin Function Control Register | PD5PFS | 8 | 8 | 2, 3 PCLK | 2 ICLK | MPC |
| 0008 C1AEh | MPC | PD6 Pin Function Control Register | PD6PFS | 8 | 8 | 2, 3 PCLK | 2 ICLK | MPC |
| 0008 C1AFh | MPC | PD7 Pin Function Control Register | PD7PFS | 8 | 8 | 2, 3 PCLK | 2 ICLK | MPC |
| 0008 C1B0h | MPC | PE0 Pin Function Control Register | PE0PFS | 8 | 8 | 2, 3 PCLK | 2 ICLK | MPC |
| 0008 C1B1h | MPC | PE1 Pin Function Control Register | PE1PFS | 8 | 8 | 2, 3 PCLK | 2 ICLK | MPC |
| 0008 C1B2h | MPC | PE2 Pin Function Control Register | PE2PFS | 8 | 8 | 2, 3 PCLK | 2 ICLK | MPC |
| 0008 C1B3h | MPC | PE3 Pin Function Control Register | PE3PFS | 8 | 8 | 2, 3 PCLK | 2 ICLK | MPC |
| 0008 C1B4h | MPC | PE4 Pin Function Control Register | PE4PFS | 8 | 8 | 2, 3 PCLK | 2 ICLK | MPC |
| 0008 C1B5h | MPC | PE5 Pin Function Control Register | PE5PFS | 8 | 8 | 2, 3 PCLK | 2 ICLK | MPC |
| 0008 C1B6h | MPC | PE6 Pin Function Control Register | PE6PFS | 8 | 8 | 2, 3 PCLK | 2 ICLK | MPC |
| 0008 C1B7h | MPC | PE7 Pin Function Control Register | PE7PFS | 8 | 8 | 2, 3 PCLK | 2 ICLK | MPC |
| 0008 C1B8h | MPC | PF0 Pin Function Control Register | PF0PFS | 8 | 8 | 2, 3 PCLK | 2 ICLK | MPC |
| 0008 C1B9h | MPC | PF1 Pin Function Control Register | PF1PFS | 8 | 8 | 2, 3 PCLK | 2 ICLK | MPC |
| 0008 C1BAh | MPC | PF2 Pin Function Control Register | PF2PFS | 8 | 8 | 2, 3 PCLK | 2 ICLK | MPC |
| 0008 C1BDh | MPC | PF5 Pin Function Control Register | PF5PFS | 8 | 8 | 2, 3 PCLK | 2 ICLK | MPC |
| 0008 C1C0h | MPC | PG0 Pin Function Control Register | PG0PFS | 8 | 8 | 2, 3 PCLK | 2 ICLK | MPC |
| 0008 C1C1h | MPC | PG1 Pin Function Control Register | PG1PFS | 8 | 8 | 2, 3 PCLK | 2 ICLK | MPC |
| 0008 C1C2h | MPC | PG2 Pin Function Control Register | PG2PFS | 8 | 8 | 2, 3 PCLK | 2 ICLK | MPC |
| 0008 C1C3h | MPC | PG3 Pin Function Control Register | PG3PFS | 8 | 8 | 2, 3 PCLK | 2 ICLK | MPC |
| 0008 C1C4h | MPC | PG4 Pin Function Control Register | PG4PFS | 8 | 8 | 2, 3 PCLK | 2 ICLK | MPC |
| 0008 C1C5h | MPC | PG5 Pin Function Control Register | PG5PFS | 8 | 8 | 2, 3 PCLK | 2 ICLK | MPC |
| 0008 C1C6h | MPC | PG6 Pin Function Control Register | PG6PFS | 8 | 8 | 2, 3 PCLK | 2 ICLK | MPC |
| 0008 C1C7h | MPC | PG7 Pin Function Control Register | PG7PFS | 8 | 8 | 2, 3 PCLK | 2 ICLK | MPC |
| 0008 C1D3h | MPC | PJ3 Pin Function Control Register | PJ3PFS | 8 | 8 | 2, 3 PCLK | 2 ICLK | MPC |
| 0008 C1D5h | MPC | PJ5 Pin Function Control Register | PJ5PFS | 8 | 8 | 2, 3 PCLK | 2 ICLK | MPC |
| 0008 C280h | SYSTM | Deep Standby Control Register | DPSBYCR | 8 | 8 | 4, 5 PCLK | 2, 3 ICLK | Low Power Consumption |

Table 4.1 List of I/O Registers (Address Order) (37 / 67)

| Address | Module Symbol | Register Name | Register Symbol | Number of Bits | Access Size | Number of Access Cycles | | Related Function |
|------------|---------------|---|-----------------|----------------|-------------|-------------------------|-------------|--------------------------|
| | | | | | | ICLK \geq PCLK | ICLK < PCLK | |
| 0008 C282h | SYSTEM | Deep Standby Interrupt Enable Register 0 | DPSIER0 | 8 | 8 | 4, 5 PCLKB | 2, 3 ICLK | Low Power Consumption |
| 0008 C283h | SYSTEM | Deep Standby Interrupt Enable Register 1 | DPSIER1 | 8 | 8 | 4, 5 PCLKB | 2, 3 ICLK | Low Power Consumption |
| 0008 C284h | SYSTEM | Deep Standby Interrupt Enable Register 2 | DPSIER2 | 8 | 8 | 4, 5 PCLKB | 2, 3 ICLK | Low Power Consumption |
| 0008 C285h | SYSTEM | Deep Standby Interrupt Enable Register 3 | DPSIER3 | 8 | 8 | 4, 5 PCLKB | 2, 3 ICLK | Low Power Consumption |
| 0008 C286h | SYSTEM | Deep Standby Interrupt Flag Register 0 | DPSIFR0 | 8 | 8 | 4, 5 PCLKB | 2, 3 ICLK | Low Power Consumption |
| 0008 C287h | SYSTEM | Deep Standby Interrupt Flag Register 1 | DPSIFR1 | 8 | 8 | 4, 5 PCLKB | 2, 3 ICLK | Low Power Consumption |
| 0008 C288h | SYSTEM | Deep Standby Interrupt Flag Register 2 | DPSIFR2 | 8 | 8 | 4, 5 PCLKB | 2, 3 ICLK | Low Power Consumption |
| 0008 C289h | SYSTEM | Deep Standby Interrupt Flag Register 3 | DPSIFR3 | 8 | 8 | 4, 5 PCLKB | 2, 3 ICLK | Low Power Consumption |
| 0008 C28Ah | SYSTEM | Deep Standby Interrupt Edge Register 0 | DPSIEGR0 | 8 | 8 | 4, 5 PCLKB | 2, 3 ICLK | Low Power Consumption |
| 0008 C28Bh | SYSTEM | Deep Standby Interrupt Edge Register 1 | DPSIEGR1 | 8 | 8 | 4, 5 PCLKB | 2, 3 ICLK | Low Power Consumption |
| 0008 C28Ch | SYSTEM | Deep Standby Interrupt Edge Register 2 | DPSIEGR2 | 8 | 8 | 4, 5 PCLKB | 2, 3 ICLK | Low Power Consumption |
| 0008 C28Dh | SYSTEM | Deep Standby Interrupt Edge Register 3 | DPSIEGR3 | 8 | 8 | 4, 5 PCLKB | 2, 3 ICLK | Low Power Consumption |
| 0008 C290h | SYSTEM | Reset Status Register 0 | RSTSR0 | 8 | 8 | 4, 5 PCLKB | 2, 3 ICLK | Resets |
| 0008 C291h | SYSTEM | Reset Status Register 1 | RSTSR1 | 8 | 8 | 4, 5 PCLKB | 2, 3 ICLK | Resets |
| 0008 C293h | SYSTEM | Main Clock Oscillator Forced Oscillation Control Register | MOFCR | 8 | 8 | 4, 5 PCLKB | 2, 3 ICLK | Clock Generation Circuit |
| 0008 C294h | SYSTEM | High-Speed On-Chip Oscillator Power Supply Control Register | HOCOPCR | 8 | 8 | 4, 5 PCLKB | 2, 3 ICLK | Clock Generation Circuit |
| 0008 C296h | FLASH | Flash P/E Protect Register | FWEPROR | 8 | 8 | 2 ICLK | | Flash |
| 0008 C297h | SYSTEM | Voltage Monitoring Circuit Control Register | LVCMPCR | 8 | 8 | 4, 5 PCLKB | 2, 3 ICLK | LVDA |
| 0008 C298h | SYSTEM | Voltage Detection Level Select Register | LVDLVL | 8 | 8 | 4, 5 PCLKB | 2, 3 ICLK | LVDA |
| 0008 C29Ah | SYSTEM | Voltage Monitoring 1 Circuit Control Register 0 | LVD1CR0 | 8 | 8 | 4, 5 PCLKB | 2, 3 ICLK | LVDA |
| 0008 C29Bh | SYSTEM | Voltage Monitoring 2 Circuit Control Register 0 | LVD2CR0 | 8 | 8 | 4, 5 PCLKB | 2, 3 ICLK | LVDA |

Table 4.1 List of I/O Registers (Address Order) (38 / 67)

| Address | Module Symbol | Register Name | Register Symbol | Number of Bits | Access Size | Number of Access Cycles | | Related Function |
|--------------------------|---------------|--|-----------------|----------------|-------------|-------------------------|-------------|-----------------------|
| | | | | | | ICLK ≥ PCLK | ICLK < PCLK | |
| 0008 C2A0h to 0008 C2BFh | SYSTEM | Deep Standby Backup Registers 0 to 31 | DPSBKR0 to 31 | 8 | 8 | 4, 5 PCLKB | 2, 3 ICLK | Low Power Consumption |
| 0008 C400h | RTC | 64-Hz Counter | R64CNT | 8 | 8 | 2, 3 PCLKB | 2 ICLK | RTCd |
| 0008 C402h | RTC | Second Counter | RSECNT | 8 | 8 | 2, 3 PCLKB | 2 ICLK | RTCd |
| 0008 C402h | RTC | Binary Counter 0 | BCNT0 | 8 | 8 | 2, 3 PCLKB | 2 ICLK | RTCd |
| 0008 C404h | RTC | Minute Counter | RMINCNT | 8 | 8 | 2, 3 PCLKB | 2 ICLK | RTCd |
| 0008 C404h | RTC | Binary Counter 1 | BCNT1 | 8 | 8 | 2, 3 PCLKB | 2 ICLK | RTCd |
| 0008 C406h | RTC | Hour Counter | RHRCNT | 8 | 8 | 2, 3 PCLKB | 2 ICLK | RTCd |
| 0008 C406h | RTC | Binary Counter 2 | BCNT2 | 8 | 8 | 2, 3 PCLKB | 2 ICLK | RTCd |
| 0008 C408h | RTC | Day-of-Week Counter | RWKCNT | 8 | 8 | 2, 3 PCLKB | 2 ICLK | RTCd |
| 0008 C408h | RTC | Binary Counter 3 | BCNT3 | 8 | 8 | 2, 3 PCLKB | 2 ICLK | RTCd |
| 0008 C40Ah | RTC | Date Counter | RDAYCNT | 8 | 8 | 2, 3 PCLKB | 2 ICLK | RTCd |
| 0008 C40Ch | RTC | Month Counter | RMONCNT | 8 | 8 | 2, 3 PCLKB | 2 ICLK | RTCd |
| 0008 C40Eh | RTC | Year Counter | RYRCNT | 16 | 16 | 2, 3 PCLKB | 2 ICLK | RTCd |
| 0008 C410h | RTC | Second Alarm Register | RSECAR | 8 | 8 | 2, 3 PCLKB | 2 ICLK | RTCd |
| 0008 C410h | RTC | Binary Counter 0 Alarm Register | BCNT0AR | 8 | 8 | 2, 3 PCLKB | 2 ICLK | RTCd |
| 0008 C412h | RTC | Minute Alarm Register | RMINAR | 8 | 8 | 2, 3 PCLKB | 2 ICLK | RTCd |
| 0008 C412h | RTC | Binary Counter 1 Alarm Register | BCNT1AR | 8 | 8 | 2, 3 PCLKB | 2 ICLK | RTCd |
| 0008 C414h | RTC | Hour Alarm Register | RHRAR | 8 | 8 | 2, 3 PCLKB | 2 ICLK | RTCd |
| 0008 C414h | RTC | Binary Counter 2 Alarm Register | BCNT2AR | 8 | 8 | 2, 3 PCLKB | 2 ICLK | RTCd |
| 0008 C416h | RTC | Day-of-Week Alarm Register | RWKAR | 8 | 8 | 2, 3 PCLKB | 2 ICLK | RTCd |
| 0008 C416h | RTC | Binary Counter 3 Alarm Register | BCNT3AR | 8 | 8 | 2, 3 PCLKB | 2 ICLK | RTCd |
| 0008 C418h | RTC | Date Alarm Register | RDAYAR | 8 | 8 | 2, 3 PCLKB | 2 ICLK | RTCd |
| 0008 C418h | RTC | Binary Counter 0 Alarm Enable Register | BCNT0AER | 8 | 8 | 2, 3 PCLKB | 2 ICLK | RTCd |
| 0008 C41Ah | RTC | Month Alarm Register | RMONAR | 8 | 8 | 2, 3 PCLKB | 2 ICLK | RTCd |
| 0008 C41Ah | RTC | Binary Counter 1 Alarm Enable Register | BCNT1AER | 8 | 8 | 2, 3 PCLKB | 2 ICLK | RTCd |
| 0008 C41Ch | RTC | Year Alarm Register | RYRAR | 16 | 16 | 2, 3 PCLKB | 2 ICLK | RTCd |
| 0008 C41Ch | RTC | Binary Counter 2 Alarm Enable Register | BCNT2AER | 16 | 16 | 2, 3 PCLKB | 2 ICLK | RTCd |
| 0008 C41Eh | RTC | Year Alarm Enable Register | RYRAREN | 8 | 8 | 2, 3 PCLKB | 2 ICLK | RTCd |
| 0008 C41Eh | RTC | Binary Counter 3 Alarm Enable Register | BCNT3AER | 8 | 8 | 2, 3 PCLKB | 2 ICLK | RTCd |
| 0008 C422h | RTC | RTC Control Register 1 | RCR1 | 8 | 8 | 2, 3 PCLKB | 2 ICLK | RTCd |
| 0008 C424h | RTC | RTC Control Register 2 | RCR2 | 8 | 8 | 2, 3 PCLKB | 2 ICLK | RTCd |
| 0008 C426h | RTC | RTC Control Register 3 | RCR3 | 8 | 8 | 2, 3 PCLKB | 2 ICLK | RTCd |
| 0008 C428h | RTC | RTC Control Register 4 | RCR4 | 8 | 8 | 2, 3 PCLKB | 2 ICLK | RTCd |
| 0008 C42Ah | RTC | Frequency Register H | RFRH | 16 | 16 | 2, 3 PCLKB | 2 ICLK | RTCd |
| 0008 C42Ch | RTC | Frequency Register L | RFRL | 16 | 16 | 2, 3 PCLKB | 2 ICLK | RTCd |
| 0008 C42Eh | RTC | Time Error Adjustment Register | RADJ | 8 | 8 | 2, 3 PCLKB | 2 ICLK | RTCd |
| 0008 C440h | RTC | Time Capture Control Register 0 | RTCCR0 | 8 | 8 | 2, 3 PCLKB | 2 ICLK | RTCd |
| 0008 C442h | RTC | Time Capture Control Register 1 | RTCCR1 | 8 | 8 | 2, 3 PCLKB | 2 ICLK | RTCd |
| 0008 C444h | RTC | Time Capture Control Register 2 | RTCCR2 | 8 | 8 | 2, 3 PCLKB | 2 ICLK | RTCd |
| 0008 C452h | RTC | Second Capture Register 0 | RSECCP0 | 8 | 8 | 2, 3 PCLKB | 2 ICLK | RTCd |
| 0008 C452h | RTC | BCNT0 Capture Register 0 | BCNT0CP0 | 8 | 8 | 2, 3 PCLKB | 2 ICLK | RTCd |
| 0008 C454h | RTC | Minute Capture Register 0 | RMINCP0 | 8 | 8 | 2, 3 PCLKB | 2 ICLK | RTCd |
| 0008 C454h | RTC | BCNT1 Capture Register 0 | BCNT1CP0 | 8 | 8 | 2, 3 PCLKB | 2 ICLK | RTCd |
| 0008 C456h | RTC | Hour Capture Register 0 | RHRCP0 | 8 | 8 | 2, 3 PCLKB | 2 ICLK | RTCd |
| 0008 C456h | RTC | BCNT2 Capture Register 0 | BCNT2CP0 | 8 | 8 | 2, 3 PCLKB | 2 ICLK | RTCd |
| 0008 C45Ah | RTC | Date Capture Register 0 | RDAYCP0 | 8 | 8 | 2, 3 PCLKB | 2 ICLK | RTCd |
| 0008 C45Ah | RTC | BCNT3 Capture Register 0 | BCNT3CP0 | 8 | 8 | 2, 3 PCLKB | 2 ICLK | RTCd |
| 0008 C45Ch | RTC | Month Capture Register 0 | RMONCP0 | 8 | 8 | 2, 3 PCLKB | 2 ICLK | RTCd |

Table 4.1 List of I/O Registers (Address Order) (39 / 67)

| Address | Module Symbol | Register Name | Register Symbol | Number of Bits | Access Size | Number of Access Cycles | | Related Function |
|-----------------------------|---------------|--|-----------------|----------------|----------------|-------------------------|-------------|------------------|
| | | | | | | ICLK ≥ PCLK | ICLK < PCLK | |
| 0008 C462h | RTC | Second Capture Register 1 | RSECCP1 | 8 | 8 | 2, 3 PCLKB | 2 ICLK | RTCd |
| 0008 C462h | RTC | BCNT0 Capture Register 1 | BCNT0CP1 | 8 | 8 | 2, 3 PCLKB | 2 ICLK | RTCd |
| 0008 C464h | RTC | Minute Capture Register 1 | RMINCP1 | 8 | 8 | 2, 3 PCLKB | 2 ICLK | RTCd |
| 0008 C464h | RTC | BCNT1 Capture Register 1 | BCNT1CP1 | 8 | 8 | 2, 3 PCLKB | 2 ICLK | RTCd |
| 0008 C466h | RTC | Hour Capture Register 1 | RHRCP1 | 8 | 8 | 2, 3 PCLKB | 2 ICLK | RTCd |
| 0008 C466h | RTC | BCNT2 Capture Register 1 | BCNT2CP1 | 8 | 8 | 2, 3 PCLKB | 2 ICLK | RTCd |
| 0008 C46Ah | RTC | Date Capture Register 1 | RDAYCP1 | 8 | 8 | 2, 3 PCLKB | 2 ICLK | RTCd |
| 0008 C46Ah | RTC | BCNT3 Capture Register 1 | BCNT3CP1 | 8 | 8 | 2, 3 PCLKB | 2 ICLK | RTCd |
| 0008 C46Ch | RTC | Month Capture Register 1 | RMONCP1 | 8 | 8 | 2, 3 PCLKB | 2 ICLK | RTCd |
| 0008 C472h | RTC | Second Capture Register 2 | RSECCP2 | 8 | 8 | 2, 3 PCLKB | 2 ICLK | RTCd |
| 0008 C472h | RTC | BCNT0 Capture Register 2 | BCNT0CP2 | 8 | 8 | 2, 3 PCLKB | 2 ICLK | RTCd |
| 0008 C474h | RTC | Minute Capture Register 2 | RMINCP2 | 8 | 8 | 2, 3 PCLKB | 2 ICLK | RTCd |
| 0008 C474h | RTC | BCNT1 Capture Register 2 | BCNT1CP2 | 8 | 8 | 2, 3 PCLKB | 2 ICLK | RTCd |
| 0008 C476h | RTC | Hour Capture Register 2 | RHRCP2 | 8 | 8 | 2, 3 PCLKB | 2 ICLK | RTCd |
| 0008 C476h | RTC | BCNT2 Capture Register 2 | BCNT2CP2 | 8 | 8 | 2, 3 PCLKB | 2 ICLK | RTCd |
| 0008 C47Ah | RTC | Date Capture Register 2 | RDAYCP2 | 8 | 8 | 2, 3 PCLKB | 2 ICLK | RTCd |
| 0008 C47Ah | RTC | BCNT3 Capture Register 2 | BCNT3CP2 | 8 | 8 | 2, 3 PCLKB | 2 ICLK | RTCd |
| 0008 C47Ch | RTC | Month Capture Register 2 | RMONCP2 | 8 | 8 | 2, 3 PCLKB | 2 ICLK | RTCd |
| 0008 C4C0h | POE3 | Input Level Control/Status Register 1 | ICSR1 | 16 | 16 | 2, 3 PCLKB | 2 ICLK | POE3 |
| 0008 C4C2h | POE3 | Output Level Control/Status Register 1 | OCSR1 | 16 | 16 | 2, 3 PCLKB | 2 ICLK | POE3 |
| 0008 C4C4h | POE3 | Input Level Control/Status Register 2 | ICSR2 | 16 | 16 | 2, 3 PCLKB | 2 ICLK | POE3 |
| 0008 C4C6h | POE3 | Output Level Control/Status Register 2 | OCSR2 | 16 | 16 | 2, 3 PCLKB | 2 ICLK | POE3 |
| 0008 C4C8h | POE3 | Input Level Control/Status Register 3 | ICSR3 | 16 | 16 | 2, 3 PCLKB | 2 ICLK | POE3 |
| 0008 C4CAh | POE3 | Software Port Output Enable Register | SPOER | 8 | 8 | 2, 3 PCLKB | 2 ICLK | POE3 |
| 0008 C4CBh | POE3 | Port Output Enable Control Register 1 | POECR1 | 8 | 8 | 2, 3 PCLKB | 2 ICLK | POE3 |
| 0008 C4CCh | POE3 | Port Output Enable Control Register 2 | POECR2 | 16 | 16 | 2, 3 PCLKB | 2 ICLK | POE3 |
| 0008 C4CEh | POE3 | Port Output Enable Control Register 3 | POECR3 | 16 | 16 | 2, 3 PCLKB | 2 ICLK | POE3 |
| 0008 C4D0h | POE3 | Port Output Enable Control Register 4 | POECR4 | 16 | 16 | 2, 3 PCLKB | 2 ICLK | POE3 |
| 0008 C4D2h | POE3 | Port Output Enable Control Register 5 | POECR5 | 16 | 16 | 2, 3 PCLKB | 2 ICLK | POE3 |
| 0008 C4D4h | POE3 | Port Output Enable Control Register 6 | POECR6 | 16 | 16 | 2, 3 PCLKB | 2 ICLK | POE3 |
| 0008 C4D6h | POE3 | Input Level Control/Status Register 4 | ICSR4 | 16 | 16 | 2, 3 PCLKB | 2 ICLK | POE3 |
| 0008 C4D8h | POE3 | Input Level Control/Status Register 5 | ICSR5 | 16 | 16 | 2, 3 PCLKB | 2 ICLK | POE3 |
| 0008 C4DAh | POE3 | Active Level Setting Register 1 | ALR1 | 16 | 16 | 2, 3 PCLKB | 2 ICLK | POE3 |
| 0008 C4DCh | POE3 | Input Level Control/Status Register 6 | ICSR6 | 16 | 16 | 2, 3 PCLKB | 2 ICLK | POE3 |
| 0008 C4E0h | POE3 | GPT0 Pin Select Register | G0SELR | 8 | 8 | 2, 3 PCLKB | 2 ICLK | POE3 |
| 0008 C4E1h | POE3 | GPT1 Pin Select Register | G1SELR | 8 | 8 | 2, 3 PCLKB | 2 ICLK | POE3 |
| 0008 C4E2h | POE3 | GPT2 Pin Select Register | G2SELR | 8 | 8 | 2, 3 PCLKB | 2 ICLK | POE3 |
| 0008 C4E3h | POE3 | GPT3 Pin Select Register | G3SELR | 8 | 8 | 2, 3 PCLKB | 2 ICLK | POE3 |
| 0008 C4E4h | POE3 | MTU0 Pin Select Register 1 | M0SELR1 | 8 | 8 | 2, 3 PCLKB | 2 ICLK | POE3 |
| 0008 C4E5h | POE3 | MTU0 Pin Select Register 2 | M0SELR2 | 8 | 8 | 2, 3 PCLKB | 2 ICLK | POE3 |
| 0008 C4E6h | POE3 | MTU3 Pin Select Register | M3SELR | 8 | 8 | 2, 3 PCLKB | 2 ICLK | POE3 |
| 0008 C4E7h | POE3 | MTU4 Pin Select Register 1 | M4SELR1 | 8 | 8 | 2, 3 PCLKB | 2 ICLK | POE3 |
| 0008 C4E8h | POE3 | MTU4 Pin Select Register 2 | M4SELR2 | 8 | 8 | 2, 3 PCLKB | 2 ICLK | POE3 |
| 0008 C4E9h | POE3 | MTU/GPT Pin Select Register | MGSELR | 8 | 8 | 2, 3 PCLKB | 2 ICLK | POE3 |
| 0008 C500h | TEMPS | Temperature Sensor Control Register | TSCR | 8 | 8 | 2, 3 PCLKB | 2 ICLK | TEMPS |
| 0008 C5C0h | DA | D/A A/D Synchronous Unit Select Register | DAADUSR | 8 | 8 | 2, 3 PCLKB | 2 ICLK | R12DA |
| 0009 0200h to 0009 03FFh | CAN0 | Mailbox Registers 0 to 31 | MB0 to 31 | 128 | 8, 16, 32*6 | 2, 3 PCLKB | 2 ICLK | CAN |
| 0009 0400h to 0009 041Fh | CAN0 | Mask Registers 0 to 7 | MKR0 to 7 | 32 | 8, 16, 32 | 2, 3 PCLKB | 2 ICLK | CAN |

Table 4.1 List of I/O Registers (Address Order) (40 / 67)

| Address | Module Symbol | Register Name | Register Symbol | Number of Bits | Access Size | Number of Access Cycles | | Related Function |
|--------------------------|---------------|--|-----------------|----------------|-------------|-------------------------|-------------|------------------|
| | | | | | | ICLK ≥ PCLK | ICLK < PCLK | |
| 0009 0420h | CAN0 | FIFO Received ID Compare Register 0 | FIDCR0 | 32 | 8, 16, 32 | 2, 3 PCLKB | 2 ICLK | CAN |
| 0009 0424h | CAN0 | FIFO Received ID Compare Register 1 | FIDCR1 | 32 | 8, 16, 32 | 2, 3 PCLKB | 2 ICLK | CAN |
| 0009 0428h | CAN0 | Mask Invalid Register | MKIVLR | 32 | 8, 16, 32 | 2, 3 PCLKB | 2 ICLK | CAN |
| 0009 042Ch | CAN0 | Mailbox Interrupt Enable Register | MIER | 32 | 8, 16, 32 | 2, 3 PCLKB | 2 ICLK | CAN |
| 0009 0820h to 0009 083Fh | CAN0 | Message Control Registers 0 to 31 | MCTL0 to 31 | 8 | 8 | 2, 3 PCLKB | 2 ICLK | CAN |
| 0009 0840h | CAN0 | Control Register | CTLR | 16 | 8, 16 | 2, 3 PCLKB | 2 ICLK | CAN |
| 0009 0842h | CAN0 | Status Register | STR | 16 | 8, 16 | 2, 3 PCLKB | 2 ICLK | CAN |
| 0009 0844h | CAN0 | Bit Configuration Register | BCR | 32 | 8, 16, 32 | 2, 3 PCLKB | 2 ICLK | CAN |
| 0009 0848h | CAN0 | Receive FIFO Control Register | RFCR | 8 | 8 | 2, 3 PCLKB | 2 ICLK | CAN |
| 0009 0849h | CAN0 | Receive FIFO Pointer Control Register | RFPCR | 8 | 8 | 2, 3 PCLKB | 2 ICLK | CAN |
| 0009 084Ah | CAN0 | Transmit FIFO Control Register | TFCR | 8 | 8 | 2, 3 PCLKB | 2 ICLK | CAN |
| 0009 084Bh | CAN0 | Transmit FIFO Pointer Control Register | TFPCR | 8 | 8 | 2, 3 PCLKB | 2 ICLK | CAN |
| 0009 084Ch | CAN0 | Error Interrupt Enable Register | EIER | 8 | 8 | 2, 3 PCLKB | 2 ICLK | CAN |
| 0009 084Dh | CAN0 | Error Interrupt Factor Judge Register | EIFR | 8 | 8 | 2, 3 PCLKB | 2 ICLK | CAN |
| 0009 084Eh | CAN0 | Receive Error Count Register | RECR | 8 | 8 | 2, 3 PCLKB | 2 ICLK | CAN |
| 0009 084Fh | CAN0 | Transmit Error Count Register | TECR | 8 | 8 | 2, 3 PCLKB | 2 ICLK | CAN |
| 0009 0850h | CAN0 | Error Code Store Register | ECSR | 8 | 8 | 2, 3 PCLKB | 2 ICLK | CAN |
| 0009 0851h | CAN0 | Channel Search Support Register | CSSR | 8 | 8 | 2, 3 PCLKB | 2 ICLK | CAN |
| 0009 0852h | CAN0 | Mailbox Search Status Register | MSSR | 8 | 8 | 2, 3 PCLKB | 2 ICLK | CAN |
| 0009 0853h | CAN0 | Mailbox Search Mode Register | MSMR | 8 | 8 | 2, 3 PCLKB | 2 ICLK | CAN |
| 0009 0854h | CAN0 | Time Stamp Register | TSR | 16 | 16 | 2, 3 PCLKB | 2 ICLK | CAN |
| 0009 0856h | CAN0 | Acceptance Filter Support Register | AFSR | 16 | 8, 16 | 2, 3 PCLKB | 2 ICLK | CAN |
| 0009 0858h | CAN0 | Test Control Register | TCR | 8 | 8 | 2, 3 PCLKB | 2 ICLK | CAN |
| 0009 1200h to 0009 13Fh | CAN1 | Mailbox Registers 0 to 31 | MB0 to 31 | 128 | 8, 16, 32*6 | 2, 3 PCLKB | 2 ICLK | CAN |
| 0009 1400h to 0009 141Fh | CAN1 | Mask Registers 0 to 7 | MKR0 to 7 | 32 | 8, 16, 32 | 2, 3 PCLKB | 2 ICLK | CAN |
| 0009 1420h | CAN1 | FIFO Received ID Compare Register 0 | FIDCR0 | 32 | 8, 16, 32 | 2, 3 PCLKB | 2 ICLK | CAN |
| 0009 1424h | CAN1 | FIFO Received ID Compare Register 1 | FIDCR1 | 32 | 8, 16, 32 | 2, 3 PCLKB | 2 ICLK | CAN |
| 0009 1428h | CAN1 | Mask Invalid Register | MKIVLR | 32 | 8, 16, 32 | 2, 3 PCLKB | 2 ICLK | CAN |
| 0009 142Ch | CAN1 | Mailbox Interrupt Enable Register | MIER | 32 | 8, 16, 32 | 2, 3 PCLKB | 2 ICLK | CAN |
| 0009 1820h to 0009 183Fh | CAN1 | Message Control Registers 0 to 31 | MCTL0 to 31 | 8 | 8 | 2, 3 PCLKB | 2 ICLK | CAN |
| 0009 1840h | CAN1 | Control Register | CTLR | 16 | 8, 16 | 2, 3 PCLKB | 2 ICLK | CAN |
| 0009 1842h | CAN1 | Status Register | STR | 16 | 8, 16 | 2, 3 PCLKB | 2 ICLK | CAN |
| 0009 1844h | CAN1 | Bit Configuration Register | BCR | 32 | 8, 16, 32 | 2, 3 PCLKB | 2 ICLK | CAN |
| 0009 1848h | CAN1 | Receive FIFO Control Register | RFCR | 8 | 8 | 2, 3 PCLKB | 2 ICLK | CAN |
| 0009 1849h | CAN1 | Receive FIFO Pointer Control Register | RFPCR | 8 | 8 | 2, 3 PCLKB | 2 ICLK | CAN |
| 0009 184Ah | CAN1 | Transmit FIFO Control Register | TFCR | 8 | 8 | 2, 3 PCLKB | 2 ICLK | CAN |
| 0009 184Bh | CAN1 | Transmit FIFO Pointer Control Register | TFPCR | 8 | 8 | 2, 3 PCLKB | 2 ICLK | CAN |
| 0009 184Ch | CAN1 | Error Interrupt Enable Register | EIER | 8 | 8 | 2, 3 PCLKB | 2 ICLK | CAN |
| 0009 184Dh | CAN1 | Error Interrupt Factor Judge Register | EIFR | 8 | 8 | 2, 3 PCLKB | 2 ICLK | CAN |
| 0009 184Eh | CAN1 | Receive Error Count Register | RECR | 8 | 8 | 2, 3 PCLKB | 2 ICLK | CAN |
| 0009 184Fh | CAN1 | Transmit Error Count Register | TECR | 8 | 8 | 2, 3 PCLKB | 2 ICLK | CAN |
| 0009 1850h | CAN1 | Error Code Store Register | ECSR | 8 | 8 | 2, 3 PCLKB | 2 ICLK | CAN |
| 0009 1851h | CAN1 | Channel Search Support Register | CSSR | 8 | 8 | 2, 3 PCLKB | 2 ICLK | CAN |

Table 4.1 List of I/O Registers (Address Order) (41 / 67)

| Address | Module Symbol | Register Name | Register Symbol | Number of Bits | Access Size | Number of Access Cycles | | Related Function |
|--------------------------|---------------|--|-----------------|----------------|-------------|-------------------------|-------------|------------------|
| | | | | | | ICLK ≥ PCLK | ICLK < PCLK | |
| 0009 1852h | CAN1 | Mailbox Search Status Register | MSSR | 8 | 8 | 2, 3 PCLKB | 2 ICLK | CAN |
| 0009 1853h | CAN1 | Mailbox Search Mode Register | MSMR | 8 | 8 | 2, 3 PCLKB | 2 ICLK | CAN |
| 0009 1854h | CAN1 | Time Stamp Register | TSR | 16 | 16 | 2, 3 PCLKB | 2 ICLK | CAN |
| 0009 1856h | CAN1 | Acceptance Filter Support Register | AFSR | 16 | 8, 16 | 2, 3 PCLKB | 2 ICLK | CAN |
| 0009 1858h | CAN1 | Test Control Register | TCR | 8 | 8 | 2, 3 PCLKB | 2 ICLK | CAN |
| 0009 2200h to 0009 23Fh | CAN2 | Mailbox Registers 0 to 31 | MB0 to 31 | 128 | 8, 16, 32*6 | 2, 3 PCLKB | 2 ICLK | CAN |
| 0009 2400h to 0009 241Fh | CAN2 | Mask Registers 0 to 7 | MKR0 to 7 | 32 | 8, 16, 32 | 2, 3 PCLKB | 2 ICLK | CAN |
| 0009 2420h | CAN2 | FIFO Received ID Compare Register 0 | FIDCR0 | 32 | 8, 16, 32 | 2, 3 PCLKB | 2 ICLK | CAN |
| 0009 2424h | CAN2 | FIFO Received ID Compare Register 1 | FIDCR1 | 32 | 8, 16, 32 | 2, 3 PCLKB | 2 ICLK | CAN |
| 0009 2428h | CAN2 | Mask Invalid Register | MKIVLR | 32 | 8, 16, 32 | 2, 3 PCLKB | 2 ICLK | CAN |
| 0009 242Ch | CAN2 | Mailbox Interrupt Enable Register | MIER | 32 | 8, 16, 32 | 2, 3 PCLKB | 2 ICLK | CAN |
| 0009 2820h to 0009 283Fh | CAN2 | Message Control Registers 0 to 31 | MCTL0 to 31 | 8 | 8 | 2, 3 PCLKB | 2 ICLK | CAN |
| 0009 2840h | CAN2 | Control Register | CTLR | 16 | 8, 16 | 2, 3 PCLKB | 2 ICLK | CAN |
| 0009 2842h | CAN2 | Status Register | STR | 16 | 8, 16 | 2, 3 PCLKB | 2 ICLK | CAN |
| 0009 2844h | CAN2 | Bit Configuration Register | BCR | 32 | 8, 16, 32 | 2, 3 PCLKB | 2 ICLK | CAN |
| 0009 2848h | CAN2 | Receive FIFO Control Register | RFCR | 8 | 8 | 2, 3 PCLKB | 2 ICLK | CAN |
| 0009 2849h | CAN2 | Receive FIFO Pointer Control Register | RFPCR | 8 | 8 | 2, 3 PCLKB | 2 ICLK | CAN |
| 0009 284Ah | CAN2 | Transmit FIFO Control Register | TFCR | 8 | 8 | 2, 3 PCLKB | 2 ICLK | CAN |
| 0009 284Bh | CAN2 | Transmit FIFO Pointer Control Register | TFPCR | 8 | 8 | 2, 3 PCLKB | 2 ICLK | CAN |
| 0009 284Ch | CAN2 | Error Interrupt Enable Register | EIER | 8 | 8 | 2, 3 PCLKB | 2 ICLK | CAN |
| 0009 284Dh | CAN2 | Error Interrupt Factor Judge Register | EIFR | 8 | 8 | 2, 3 PCLKB | 2 ICLK | CAN |
| 0009 284Eh | CAN2 | Receive Error Count Register | RECR | 8 | 8 | 2, 3 PCLKB | 2 ICLK | CAN |
| 0009 284Fh | CAN2 | Transmit Error Count Register | TECR | 8 | 8 | 2, 3 PCLKB | 2 ICLK | CAN |
| 0009 2850h | CAN2 | Error Code Store Register | ECSR | 8 | 8 | 2, 3 PCLKB | 2 ICLK | CAN |
| 0009 2851h | CAN2 | Channel Search Support Register | CSSR | 8 | 8 | 2, 3 PCLKB | 2 ICLK | CAN |
| 0009 2852h | CAN2 | Mailbox Search Status Register | MSSR | 8 | 8 | 2, 3 PCLKB | 2 ICLK | CAN |
| 0009 2853h | CAN2 | Mailbox Search Mode Register | MSMR | 8 | 8 | 2, 3 PCLKB | 2 ICLK | CAN |
| 0009 2854h | CAN2 | Time Stamp Register | TSR | 16 | 8, 16 | 2, 3 PCLKB | 2 ICLK | CAN |
| 0009 2856h | CAN2 | Acceptance Filter Support Register | AFSR | 16 | 8, 16 | 2, 3 PCLKB | 2 ICLK | CAN |
| 0009 2858h | CAN2 | Test Control Register | TCR | 8 | 8 | 2, 3 PCLKB | 2 ICLK | CAN |
| 0009 4200h | CMTW0 | Timer Start Register | CMWSTR | 16 | 16 | 2, 3 PCLKB | 2 ICLK | CMTW |
| 0009 4204h | CMTW0 | Timer Control Register | CMWCR | 16 | 16 | 2, 3 PCLKB | 2 ICLK | CMTW |
| 0009 4208h | CMTW0 | Timer I/O Control Register | CMWIOR | 16 | 16 | 2, 3 PCLKB | 2 ICLK | CMTW |
| 0009 4210h | CMTW0 | Timer Counter | CMWCNT | 32 | 32 | 2, 3 PCLKB | 2 ICLK | CMTW |
| 0009 4214h | CMTW0 | Compare Match Constant Register | CMWCOR | 32 | 32 | 2, 3 PCLKB | 2 ICLK | CMTW |
| 0009 4218h | CMTW0 | Input Capture Register 0 | CMWICR0 | 32 | 32 | 2, 3 PCLKB | 2 ICLK | CMTW |
| 0009 421Ch | CMTW0 | Input Capture Register 1 | CMWICR1 | 32 | 32 | 2, 3 PCLKB | 2 ICLK | CMTW |
| 0009 4220h | CMTW0 | Output Compare Register 0 | CMWOCR0 | 32 | 32 | 2, 3 PCLKB | 2 ICLK | CMTW |
| 0009 4224h | CMTW0 | Output Compare Register 1 | CMWOCR1 | 32 | 32 | 2, 3 PCLKB | 2 ICLK | CMTW |
| 0009 4280h | CMTW1 | Timer Start Register | CMWSTR | 16 | 16 | 2, 3 PCLKB | 2 ICLK | CMTW |
| 0009 4284h | CMTW1 | Timer Control Register | CMWCR | 16 | 16 | 2, 3 PCLKB | 2 ICLK | CMTW |
| 0009 4288h | CMTW1 | Timer I/O Control Register | CMWIOR | 16 | 16 | 2, 3 PCLKB | 2 ICLK | CMTW |
| 0009 4290h | CMTW1 | Timer Counter | CMWCNT | 32 | 32 | 2, 3 PCLKB | 2 ICLK | CMTW |
| 0009 4294h | CMTW1 | Compare Match Constant Register | CMWCOR | 32 | 32 | 2, 3 PCLKB | 2 ICLK | CMTW |
| 0009 4298h | CMTW1 | Input Capture Register 0 | CMWICR0 | 32 | 32 | 2, 3 PCLKB | 2 ICLK | CMTW |
| 0009 429Ch | CMTW1 | Input Capture Register 1 | CMWICR1 | 32 | 32 | 2, 3 PCLKB | 2 ICLK | CMTW |

Table 4.1 List of I/O Registers (Address Order) (42 / 67)

| Address | Module Symbol | Register Name | Register Symbol | Number of Bits | Access Size | Number of Access Cycles | | Related Function |
|--------------------------|---------------|--|-----------------|----------------|-------------|-------------------------|---|------------------|
| | | | | | | ICLK ≥ PCLK | ICLK < PCLK | |
| 0009 42A0h | CMTW1 | Output Compare Register 0 | CMWOCR0 | 32 | 32 | 2, 3 PCLKB | 2 ICLK | CMTW |
| 0009 42A4h | CMTW1 | Output Compare Register 1 | CMWOCR1 | 32 | 32 | 2, 3 PCLKB | 2 ICLK | CMTW |
| 0009 8000h to 0009 D6BFh | SRC | Filter Coefficient Table | SRCFCR0 to 5551 | 32 | 32 | 4, 5 PCLKB | 2, 3 ICLK | SRC |
| 0009 DFF0h | SRC | Input Data Register | SRCID | 32 | 32 | 5, 6 PCLKB | 2, 3 ICLK | SRC |
| 0009 DFF4h | SRC | Output Data Register | SRCOD | 32 | 32 | 5, 6 PCLKB | 2, 3 ICLK | SRC |
| 0009 DFF8h | SRC | Input Data Control Register | SRCIDCTRL | 16 | 16 | 4, 5 PCLKB | 2, 3 ICLK | SRC |
| 0009 DFFAh | SRC | Output Data Control Register | SRCODCTRL | 16 | 16 | 4, 5 PCLKB | 2, 3 ICLK | SRC |
| 0009 DFFCh | SRC | Control Register | SRCCTRL | 16 | 16 | 4, 5 PCLKB | 2, 3 ICLK | SRC |
| 0009 DFFEh | SRC | Status Register | SRCSTAT | 16 | 16 | 4, 5 PCLKB | 2, 3 ICLK | SRC |
| 000A 0000h | USB0 | System Configuration Control Register | SYSCFG | 16 | 16 | 3, 4 PCLKB | 2 ICLK | USBb |
| 000A 0004h | USB0 | System Configuration Status Register 0 | SYSSTS0 | 16 | 16 | 9 PCLKB or more | Rounded up to the nearest integer greater than $1 + 9 \times (\text{frequency ratio of ICLK/PCLKB})^{*5}$ | USBb |
| 000A 0008h | USB0 | Device State Control Register 0 | DVSTCTR0 | 16 | 16 | 9 PCLKB or more | Rounded up to the nearest integer greater than $1 + 9 \times (\text{frequency ratio of ICLK/PCLKB})^{*5}$ | USBb |
| 000A 0014h | USB0 | CFIFO Port Register | CFIFO | 16 | 8, 16 | 3, 4 PCLKB | 2 ICLK | USBb |
| 000A 0018h | USB0 | D0FIFO Port Register | D0FIFO | 16 | 8, 16 | 3, 4 PCLKB | 2 ICLK | USBb |
| 000A 001Ch | USB0 | D1FIFO Port Register | D1FIFO | 16 | 8, 16 | 3, 4 PCLKB | 2 ICLK | USBb |
| 000A 0020h | USB0 | CFIFO Port Select Register | CFIFOSEL | 16 | 16 | 3, 4 PCLKB | 2 ICLK | USBb |
| 000A 0022h | USB0 | CFIFO Port Control Register | CFIFOCTR | 16 | 16 | 3, 4 PCLKB | 2 ICLK | USBb |
| 000A 0028h | USB0 | D0FIFO Port Select Register | D0FIFOSEL | 16 | 16 | 3, 4 PCLKB | 2 ICLK | USBb |
| 000A 002Ah | USB0 | D0FIFO Port Control Register | D0FIFOCTR | 16 | 16 | 3, 4 PCLKB | 2 ICLK | USBb |
| 000A 002Ch | USB0 | D1FIFO Port Select Register | D1FIFOSEL | 16 | 16 | 3, 4 PCLKB | 2 ICLK | USBb |
| 000A 002Eh | USB0 | D1FIFO Port Control Register | D1FIFOCTR | 16 | 16 | 3, 4 PCLKB | 2 ICLK | USBb |
| 000A 0030h | USB0 | Interrupt Enable Register 0 | INTENB0 | 16 | 16 | 9 PCLKB or more | Frequency with $1 + 9 \times (\text{frequency ratio of ICLK/PCLKB})^{*5}$ | USBb |
| 000A 0032h | USB0 | Interrupt Enable Register 1 | INTENB1 | 16 | 16 | 9 PCLKB or more | Frequency with $1 + 9 \times (\text{frequency ratio of ICLK/PCLKB})^{*5}$ | USBb |
| 000A 0036h | USB0 | BRDY Interrupt Enable Register | BRDYENB | 16 | 16 | 9 PCLKB or more | Frequency with $1 + 9 \times (\text{frequency ratio of ICLK/PCLKB})^{*5}$ | USBb |
| 000A 0038h | USB0 | NRDY Interrupt Enable Register | NRDYENB | 16 | 16 | 9 PCLKB or more | Frequency with $1 + 9 \times (\text{frequency ratio of ICLK/PCLKB})^{*5}$ | USBb |
| 000A 003Ah | USB0 | BEMP Interrupt Enable Register | BEMPENB | 16 | 16 | 9 PCLKB or more | Frequency with $1 + 9 \times (\text{frequency ratio of ICLK/PCLKB})^{*5}$ | USBb |
| 000A 003Ch | USB0 | SOF Output Configuration Register | SOFCFG | 16 | 16 | 9 PCLKB or more | Frequency with $1 + 9 \times (\text{frequency ratio of ICLK/PCLKB})^{*5}$ | USBb |
| 000A 0040h | USB0 | Interrupt Status Register 0 | INTSTS0 | 16 | 16 | 9 PCLKB or more | Frequency with $1 + 9 \times (\text{frequency ratio of ICLK/PCLKB})^{*5}$ | USBb |
| 000A 0042h | USB0 | Interrupt Status Register 1 | INTSTS1 | 16 | 16 | 9 PCLKB or more | Frequency with $1 + 9 \times (\text{frequency ratio of ICLK/PCLKB})^{*5}$ | USBb |
| 000A 0046h | USB0 | BRDY Interrupt Status Register | BRDYSTS | 16 | 16 | 9 PCLKB or more | Frequency with $1 + 9 \times (\text{frequency ratio of ICLK/PCLKB})^{*5}$ | USBb |
| 000A 0048h | USB0 | NRDY Interrupt Status Register | NRDYSTS | 16 | 16 | 9 PCLKB or more | Frequency with $1 + 9 \times (\text{frequency ratio of ICLK/PCLKB})^{*5}$ | USBb |
| 000A 004Ah | USB0 | BEMP Interrupt Status Register | BEMPSTS | 16 | 16 | 9 PCLKB or more | Frequency with $1 + 9 \times (\text{frequency ratio of ICLK/PCLKB})^{*5}$ | USBb |
| 000A 004Ch | USB0 | Frame Number Register | FRMNUM | 16 | 16 | 9 PCLKB or more | Frequency with $1 + 9 \times (\text{frequency ratio of ICLK/PCLKB})^{*5}$ | USBb |
| 000A 004Eh | USB0 | Device State Change Register | DVCHGR | 16 | 16 | 9 PCLKB or more | Frequency with $1 + 9 \times (\text{frequency ratio of ICLK/PCLKB})^{*5}$ | USBb |

Table 4.1 List of I/O Registers (Address Order) (43 / 67)

| Address | Module Symbol | Register Name | Register Symbol | Number of Bits | Access Size | Number of Access Cycles | | Related Function |
|------------|---------------|---|-----------------|----------------|-------------|-------------------------|--|------------------|
| | | | | | | ICLK ≥ PCLK | ICLK < PCLK | |
| 000A 0050h | USB0 | USB Address Register | USBADDR | 16 | 16 | 9 PCLKB or more | Frequency with 1 + 9 x (frequency ratio of ICLK/PCLKB) ^{*5} | USBb |
| 000A 0054h | USB0 | USB Request Type Register | USBREQ | 16 | 16 | 9 PCLKB or more | Frequency with 1 + 9 x (frequency ratio of ICLK/PCLKB) ^{*5} | USBb |
| 000A 0056h | USB0 | USB Request Value Register | USBVAL | 16 | 16 | 9 PCLKB or more | Frequency with 1 + 9 x (frequency ratio of ICLK/PCLKB) ^{*5} | USBb |
| 000A 0058h | USB0 | USB Request Index Register | USBINDX | 16 | 16 | 9 PCLKB or more | Frequency with 1 + 9 x (frequency ratio of ICLK/PCLKB) ^{*5} | USBb |
| 000A 005Ah | USB0 | USB Request Length Register | USBLENG | 16 | 16 | 9 PCLKB or more | Frequency with 1 + 9 x (frequency ratio of ICLK/PCLKB) ^{*5} | USBb |
| 000A 005Ch | USB0 | DCP Configuration Register | DCPCFG | 16 | 16 | 9 PCLKB or more | Frequency with 1 + 9 x (frequency ratio of ICLK/PCLKB) ^{*5} | USBb |
| 000A 005Eh | USB0 | DCP Maximum Packet Size Register | DCPMAXP | 16 | 16 | 9 PCLKB or more | Frequency with 1 + 9 x (frequency ratio of ICLK/PCLKB) ^{*5} | USBb |
| 000A 0060h | USB0 | DCP Control Register | DCPCTR | 16 | 16 | 9 PCLKB or more | Frequency with 1 + 9 x (frequency ratio of ICLK/PCLKB) ^{*5} | USBb |
| 000A 0064h | USB0 | Pipe Window Select Register | PIPESEL | 16 | 16 | 9 PCLKB or more | Frequency with 1 + 9 x (frequency ratio of ICLK/PCLKB) ^{*5} | USBb |
| 000A 0068h | USB0 | Pipe Configuration Register | PIPECFG | 16 | 16 | 9 PCLKB or more | Frequency with 1 + 9 x (frequency ratio of ICLK/PCLKB) ^{*5} | USBb |
| 000A 006Ch | USB0 | Pipe Maximum Packet Size Register | PIPEMAXP | 16 | 16 | 9 PCLKB or more | Frequency with 1 + 9 x (frequency ratio of ICLK/PCLKB) ^{*5} | USBb |
| 000A 006Eh | USB0 | Pipe Cycle Control Register | PIPEPERI | 16 | 16 | 9 PCLKB or more | Frequency with 1 + 9 x (frequency ratio of ICLK/PCLKB) ^{*5} | USBb |
| 000A 0070h | USB0 | PIPE1 Control Register | PIPE1CTR | 16 | 16 | 9 PCLKB or more | Frequency with 1 + 9 x (frequency ratio of ICLK/PCLKB) ^{*5} | USBb |
| 000A 0072h | USB0 | PIPE2 Control Register | PIPE2CTR | 16 | 16 | 9 PCLKB or more | Frequency with 1 + 9 x (frequency ratio of ICLK/PCLKB) ^{*5} | USBb |
| 000A 0074h | USB0 | PIPE3 Control Register | PIPE3CTR | 16 | 16 | 9 PCLKB or more | Frequency with 1 + 9 x (frequency ratio of ICLK/PCLKB) ^{*5} | USBb |
| 000A 0076h | USB0 | PIPE4 Control Register | PIPE4CTR | 16 | 16 | 9 PCLKB or more | Frequency with 1 + 9 x (frequency ratio of ICLK/PCLKB) ^{*5} | USBb |
| 000A 0078h | USB0 | PIPE5 Control Register | PIPE5CTR | 16 | 16 | 9 PCLKB or more | Frequency with 1 + 9 x (frequency ratio of ICLK/PCLKB) ^{*5} | USBb |
| 000A 007Ah | USB0 | PIPE6 Control Register | PIPE6CTR | 16 | 16 | 9 PCLKB or more | Frequency with 1 + 9 x (frequency ratio of ICLK/PCLKB) ^{*5} | USBb |
| 000A 007Ch | USB0 | PIPE7 Control Register | PIPE7CTR | 16 | 16 | 9 PCLKB or more | Frequency with 1 + 9 x (frequency ratio of ICLK/PCLKB) ^{*5} | USBb |
| 000A 007Eh | USB0 | PIPE8 Control Register | PIPE8CTR | 16 | 16 | 9 PCLKB or more | Frequency with 1 + 9 x (frequency ratio of ICLK/PCLKB) ^{*5} | USBb |
| 000A 0080h | USB0 | PIPE9 Control Register | PIPE9CTR | 16 | 16 | 9 PCLKB or more | Frequency with 1 + 9 x (frequency ratio of ICLK/PCLKB) ^{*5} | USBb |
| 000A 0090h | USB0 | Pipe1 Transaction Counter Enable Register | PIPE1TRE | 16 | 16 | 9 PCLKB or more | Frequency with 1 + 9 x (frequency ratio of ICLK/PCLKB) ^{*5} | USBb |
| 000A 0092h | USB0 | Pipe1 Transaction Counter Register | PIPE1TRN | 16 | 16 | 9 PCLKB or more | Frequency with 1 + 9 x (frequency ratio of ICLK/PCLKB) ^{*5} | USBb |
| 000A 0094h | USB0 | Pipe2 Transaction Counter Enable Register | PIPE2TRE | 16 | 16 | 9 PCLKB or more | Frequency with 1 + 9 x (frequency ratio of ICLK/PCLKB) ^{*5} | USBb |
| 000A 0096h | USB0 | Pipe2 Transaction Counter Register | PIPE2TRN | 16 | 16 | 9 PCLKB or more | Frequency with 1 + 9 x (frequency ratio of ICLK/PCLKB) ^{*5} | USBb |
| 000A 0098h | USB0 | Pipe3 Transaction Counter Enable Register | PIPE3TRE | 16 | 16 | 9 PCLKB or more | Frequency with 1 + 9 x (frequency ratio of ICLK/PCLKB) ^{*5} | USBb |

Table 4.1 List of I/O Registers (Address Order) (44 / 67)

| Address | Module Symbol | Register Name | Register Symbol | Number of Bits | Access Size | Number of Access Cycles | | Related Function |
|------------|---------------|--|-----------------|----------------|-------------|-------------------------|--|------------------|
| | | | | | | ICLK \geq PCLK | ICLK < PCLK | |
| 000A 009Ah | USB0 | Pipe3 Transaction Counter Register | PIPE3TRN | 16 | 16 | 9 PCLKB or more | Frequency with 1 + 9 x (frequency ratio of ICLK/PCLKB) ^{*5} | USBb |
| 000A 009Ch | USB0 | Pipe4 Transaction Counter Enable Register | PIPE4TRE | 16 | 16 | 9 PCLKB or more | Frequency with 1 + 9 x (frequency ratio of ICLK/PCLKB) ^{*5} | USBb |
| 000A 009Eh | USB0 | Pipe4 Transaction Counter Register | PIPE4TRN | 16 | 16 | 9 PCLKB or more | Frequency with 1 + 9 x (frequency ratio of ICLK/PCLKB) ^{*5} | USBb |
| 000A 00A0h | USB0 | Pipe5 Transaction Counter Enable Register | PIPE5TRE | 16 | 16 | 9 PCLKB or more | Frequency with 1 + 9 x (frequency ratio of ICLK/PCLKB) ^{*5} | USBb |
| 000A 00A2h | USB0 | Pipe5 Transaction Counter Register | PIPE5TRN | 16 | 16 | 9 PCLKB or more | Frequency with 1 + 9 x (frequency ratio of ICLK/PCLKB) ^{*5} | USBb |
| 000A 00D0h | USB0 | Device Address 0 Configuration Register | DEVADD0 | 16 | 16 | 9 PCLKB or more | Frequency with 1 + 9 x (frequency ratio of ICLK/PCLKB) ^{*5} | USBb |
| 000A 00D2h | USB0 | Device Address 1 Configuration Register | DEVADD1 | 16 | 16 | 9 PCLKB or more | Frequency with 1 + 9 x (frequency ratio of ICLK/PCLKB) ^{*5} | USBb |
| 000A 00D4h | USB0 | Device Address 2 Configuration Register | DEVADD2 | 16 | 16 | 9 PCLKB or more | Frequency with 1 + 9 x (frequency ratio of ICLK/PCLKB) ^{*5} | USBb |
| 000A 00D6h | USB0 | Device Address 3 Configuration Register | DEVADD3 | 16 | 16 | 9 PCLKB or more | Frequency with 1 + 9 x (frequency ratio of ICLK/PCLKB) ^{*5} | USBb |
| 000A 00D8h | USB0 | Device Address 4 Configuration Register | DEVADD4 | 16 | 16 | 9 PCLKB or more | Frequency with 1 + 9 x (frequency ratio of ICLK/PCLKB) ^{*5} | USBb |
| 000A 00DAh | USB0 | Device Address 5 Configuration Register | DEVADD5 | 16 | 16 | 9 PCLKB or more | Frequency with 1 + 9 x (frequency ratio of ICLK/PCLKB) ^{*5} | USBb |
| 000A 00F0h | USB0 | PHY Cross Point Adjustment Register | PHYSLEW | 32 | 32 | 9 PCLKB or more | Frequency with 1 + 9 x (frequency ratio of ICLK/PCLKB) ^{*5} | USBb |
| 000A 0400h | USB | Deep Standby USB Transceiver Control/Pin Monitoring Register | DPUSR0R | 32 | 32 | 9 PCLKB or more | Frequency with 1 + 9 x (frequency ratio of ICLK/PCLKB) ^{*5} | USBb |
| 000A 0404h | USB | Deep Standby USB Suspend/Resume Interrupt Register | DPUSR1R | 32 | 32 | 9 PCLKB or more | Frequency with 1 + 9 x (frequency ratio of ICLK/PCLKB) ^{*5} | USBb |
| 000A 0500h | PDC | PDC Control Register 0 | PCCR0 | 32 | 32 | 2, 3 PCLKB | 2 ICLK | PDC |
| 000A 0504h | PDC | PDC Control Register 1 | PCCR1 | 32 | 32 | 2, 3 PCLKB | 2 ICLK | PDC |
| 000A 0508h | PDC | PDC Status Register | PCSR | 32 | 32 | 2, 3 PCLKB | 2 ICLK | PDC |
| 000A 050Ch | PDC | PDC Pin Monitor Register | PCMONR | 32 | 32 | 2, 3 PCLKB | 2 ICLK | PDC |
| 000A 0510h | PDC | PDC Receive Data Register | PCDR | 32 | 32 | 2, 3 PCLKB | 2 ICLK | PDC |
| 000A 0514h | PDC | Vertical Capture Register | VCR | 32 | 32 | 2, 3 PCLKB | 2 ICLK | PDC |
| 000A 0518h | PDC | Horizontal Capture Register | HCR | 32 | 32 | 2, 3 PCLKB | 2 ICLK | PDC |
| 000C 0000h | EDMAC 0 | EDMAC Mode Register | EDMR | 32 | 32 | 4, 5 PCLKA | 2, 3 ICLK | EDMAC a |
| 000C 0008h | EDMAC 0 | EDMAC Transmit Request Register | EDTRR | 32 | 32 | 4, 5 PCLKA | 2, 3 ICLK | EDMAC a |
| 000C 0010h | EDMAC 0 | EDMAC Receive Request Register | EDRRR | 32 | 32 | 4, 5 PCLKA | 2, 3 ICLK | EDMAC a |
| 000C 0018h | EDMAC 0 | Transmit Descriptor List Start Address Register | TDLAR | 32 | 32 | 4, 5 PCLKA | 2, 3 ICLK | EDMAC a |
| 000C 0020h | EDMAC 0 | Receive Descriptor List Start Address Register | RDLAR | 32 | 32 | 4, 5 PCLKA | 2, 3 ICLK | EDMAC a |
| 000C 0028h | EDMAC 0 | ETHERC/EDMAC Status Register | EESR | 32 | 32 | 4, 5 PCLKA | 2, 3 ICLK | EDMAC a |
| 000C 0030h | EDMAC 0 | ETHERC/EDMAC Status Interrupt Enable Register | EESIPR | 32 | 32 | 4, 5 PCLKA | 2, 3 ICLK | EDMAC a |
| 000C 0038h | EDMAC 0 | ETHERC/EDMAC Transmit/Receive Status Copy Enable Register | TRSCER | 32 | 32 | 4, 5 PCLKA | 2, 3 ICLK | EDMAC a |
| 000C 0040h | EDMAC 0 | Missed-Frame Counter Register | RMFCR | 32 | 32 | 4, 5 PCLKA | 2, 3 ICLK | EDMAC a |
| 000C 0048h | EDMAC 0 | Transmit FIFO Threshold Register | TFTR | 32 | 32 | 4, 5 PCLKA | 2, 3 ICLK | EDMAC a |

Table 4.1 List of I/O Registers (Address Order) (45 / 67)

| Address | Module Symbol | Register Name | Register Symbol | Number of Bits | Access Size | Number of Access Cycles | | Related Function |
|------------|---------------|---|-----------------|----------------|-------------|-------------------------|--------------|------------------|
| | | | | | | ICLK ≥ PCLKA | ICLK < PCLKA | |
| 000C 0050h | EDMAC0 | FIFO Depth Register | FDR | 32 | 32 | 4, 5 PCLKA | 2, 3 ICLK | EDMACa |
| 000C 0058h | EDMAC0 | Receive Method Control Register | RMCR | 32 | 32 | 4, 5 PCLKA | 2, 3 ICLK | EDMACa |
| 000C 0064h | EDMAC0 | Transmit FIFO Underflow Counter | TFUCR | 32 | 32 | 4, 5 PCLKA | 2, 3 ICLK | EDMACa |
| 000C 0068h | EDMAC0 | Receive FIFO Overflow Counter | RFOCR | 32 | 32 | 4, 5 PCLKA | 2, 3 ICLK | EDMACa |
| 000C 006Ch | EDMAC0 | Independent Output Signal Setting Register | IOSR | 32 | 32 | 4, 5 PCLKA | 2, 3 ICLK | EDMACa |
| 000C 0070h | EDMAC0 | Flow Control Start FIFO Threshold Setting Register | FCFTR | 32 | 32 | 4, 5 PCLKA | 2, 3 ICLK | EDMACa |
| 000C 0078h | EDMAC0 | Receive Data Padding Insert Register | RPADIR | 32 | 32 | 4, 5 PCLKA | 2, 3 ICLK | EDMACa |
| 000C 007Ch | EDMAC0 | Transmit Interrupt Setting Register | TRIMD | 32 | 32 | 4, 5 PCLKA | 2, 3 ICLK | EDMACa |
| 000C 00C8h | EDMAC0 | Receive Buffer Write Address Register | RBWAR | 32 | 32 | 4, 5 PCLKA | 2, 3 ICLK | EDMACa |
| 000C 00CCh | EDMAC0 | Receive Descriptor Fetch Address Register | RDFAR | 32 | 32 | 4, 5 PCLKA | 2, 3 ICLK | EDMACa |
| 000C 00D4h | EDMAC0 | Transmit Buffer Read Address Register | TBRAR | 32 | 32 | 4, 5 PCLKA | 2, 3 ICLK | EDMACa |
| 000C 00D8h | EDMAC0 | Transmit Descriptor Fetch Address Register | TDFAR | 32 | 32 | 4, 5 PCLKA | 2, 3 ICLK | EDMACa |
| 000C 0100h | ETHERC0 | ETHERC Mode Register | ECMR | 32 | 32 | 13, 14 PCLKA | 2 to 7 ICLK | ETHERC |
| 000C 0108h | ETHERC0 | Receive Frame Maximum Length Register | RFLR | 32 | 32 | 13, 14 PCLKA | 2 to 7 ICLK | ETHERC |
| 000C 0110h | ETHERC0 | ETHERC Status Register | ECSR | 32 | 32 | 13, 14 PCLKA | 2 to 7 ICLK | ETHERC |
| 000C 0118h | ETHERC0 | ETHERC Interrupt Enable Register | ECSIPR | 32 | 32 | 13, 14 PCLKA | 2 to 7 ICLK | ETHERC |
| 000C 0120h | ETHERC0 | PHY Interface Register | PIR | 32 | 32 | 13, 14 PCLKA | 2 to 7 ICLK | ETHERC |
| 000C 0128h | ETHERC0 | PHY Status Register | PSR | 32 | 32 | 13, 14 PCLKA | 2 to 7 ICLK | ETHERC |
| 000C 0140h | ETHERC0 | Random Number Generation Counter Limit Setting Register | RDMLR | 32 | 32 | 13, 14 PCLKA | 2 to 7 ICLK | ETHERC |
| 000C 0150h | ETHERC0 | Interpacket Gap Register | IPGR | 32 | 32 | 13, 14 PCLKA | 2 to 7 ICLK | ETHERC |
| 000C 0154h | ETHERC0 | Automatic PAUSE Frame Register | APR | 32 | 32 | 13, 14 PCLKA | 2 to 7 ICLK | ETHERC |
| 000C 0158h | ETHERC0 | Manual PAUSE Frame Register | MPR | 32 | 32 | 13, 14 PCLKA | 2 to 7 ICLK | ETHERC |
| 000C 0160h | ETHERC0 | Received PAUSE Frame Counter | RFCF | 32 | 32 | 13, 14 PCLKA | 2 to 7 ICLK | ETHERC |
| 000C 0164h | ETHERC0 | PAUSE Frame Retransmit Count Setting Register | TPAUSER | 32 | 32 | 13, 14 PCLKA | 2 to 7 ICLK | ETHERC |
| 000C 0168h | ETHERC0 | PAUSE Frame Retransmit Counter | TPAUSECR | 32 | 32 | 13, 14 PCLKA | 2 to 7 ICLK | ETHERC |
| 000C 016Ch | ETHERC0 | Broadcast Frame Receive Count Setting Register | BCFRR | 32 | 32 | 13, 14 PCLKA | 2 to 7 ICLK | ETHERC |
| 000C 01C0h | ETHERC0 | MAC Address Upper Bit Register | MAHR | 32 | 32 | 13, 14 PCLKA | 2 to 7 ICLK | ETHERC |
| 000C 01C8h | ETHERC0 | MAC Address Lower Bit Register | MALR | 32 | 32 | 13, 14 PCLKA | 2 to 7 ICLK | ETHERC |
| 000C 01D0h | ETHERC0 | Transmit Retry Over Counter Register | TROCR | 32 | 32 | 13, 14 PCLKA | 2 to 7 ICLK | ETHERC |
| 000C 01D4h | ETHERC0 | Late Collision Detect Counter Register | CDCR | 32 | 32 | 13, 14 PCLKA | 2 to 7 ICLK | ETHERC |
| 000C 01D8h | ETHERC0 | Lost Carrier Counter Register | LCCR | 32 | 32 | 13, 14 PCLKA | 2 to 7 ICLK | ETHERC |

Table 4.1 List of I/O Registers (Address Order) (46 / 67)

| Address | Module Symbol | Register Name | Register Symbol | Number of Bits | Access Size | Number of Access Cycles | | Related Function |
|------------|---------------|---|-----------------|----------------|-------------|-------------------------|-------------|------------------|
| | | | | | | ICLK ≥ PCLK | ICLK < PCLK | |
| 000C 01DCh | ETHER C0 | Carrier Not Detect Counter Register | CNDCR | 32 | 32 | 13, 14 PCLKA | 2 to 7 ICLK | ETHER C |
| 000C 01E4h | ETHER C0 | CRC Error Frame Receive Counter Register | CEFCR | 32 | 32 | 13, 14 PCLKA | 2 to 7 ICLK | ETHER C |
| 000C 01E8h | ETHER C0 | Frame Receive Error Counter Register | FRECR | 32 | 32 | 13, 14 PCLKA | 2 to 7 ICLK | ETHER C |
| 000C 01ECh | ETHER C0 | Too-Short Frame Receive Counter Register | TSFRCR | 32 | 32 | 13, 14 PCLKA | 2 to 7 ICLK | ETHER C |
| 000C 01F0h | ETHER C0 | Too-Long Frame Receive Counter Register | TLFRCR | 32 | 32 | 13, 14 PCLKA | 2 to 7 ICLK | ETHER C |
| 000C 01F4h | ETHER C0 | Received Alignment Error Frame Counter Register | RFCR | 32 | 32 | 13, 14 PCLKA | 2 to 7 ICLK | ETHER C |
| 000C 01F8h | ETHER C0 | Multicast Address Frame Receive Counter Register | MAFCR | 32 | 32 | 13, 14 PCLKA | 2 to 7 ICLK | ETHER C |
| 000C 0200h | EDMAC 1 | EDMAC Mode Register | EDMR | 32 | 32 | 4, 5 PCLKA | 2, 3 ICLK | EDMAC a |
| 000C 0208h | EDMAC 1 | EDMAC Transmit Request Register | EDTRR | 32 | 32 | 4, 5 PCLKA | 2, 3 ICLK | EDMAC a |
| 000C 0210h | EDMAC 1 | EDMAC Receive Request Register | EDRRR | 32 | 32 | 4, 5 PCLKA | 2, 3 ICLK | EDMAC a |
| 000C 0218h | EDMAC 1 | Transmit Descriptor List Start Address Register | TDLAR | 32 | 32 | 4, 5 PCLKA | 2, 3 ICLK | EDMAC a |
| 000C 0220h | EDMAC 1 | Receive Descriptor List Start Address Register | RDLAR | 32 | 32 | 4, 5 PCLKA | 2, 3 ICLK | EDMAC a |
| 000C 0228h | EDMAC 1 | ETHERC/EDMAC Status Register | EESR | 32 | 32 | 4, 5 PCLKA | 2, 3 ICLK | EDMAC a |
| 000C 0230h | EDMAC 1 | ETHERC/EDMAC Status Interrupt Enable Register | EESIPR | 32 | 32 | 4, 5 PCLKA | 2, 3 ICLK | EDMAC a |
| 000C 0238h | EDMAC 1 | ETHERC/EDMAC Transmit/Receive Status Copy Enable Register | TRSCER | 32 | 32 | 4, 5 PCLKA | 2, 3 ICLK | EDMAC a |
| 000C 0240h | EDMAC 1 | Missed-Frame Counter Register | RMFCR | 32 | 32 | 4, 5 PCLKA | 2, 3 ICLK | EDMAC a |
| 000C 0248h | EDMAC 1 | Transmit FIFO Threshold Register | TFTR | 32 | 32 | 4, 5 PCLKA | 2, 3 ICLK | EDMAC a |
| 000C 0250h | EDMAC 1 | FIFO Depth Register | FDR | 32 | 32 | 4, 5 PCLKA | 2, 3 ICLK | EDMAC a |
| 000C 0258h | EDMAC 1 | Receive Method Control Register | RMCR | 32 | 32 | 4, 5 PCLKA | 2, 3 ICLK | EDMAC a |
| 000C 0264h | EDMAC 1 | Transmit FIFO Underflow Counter | TFUCR | 32 | 32 | 4, 5 PCLKA | 2, 3 ICLK | EDMAC a |
| 000C 0268h | EDMAC 1 | Receive FIFO Overflow Counter | RFOCR | 32 | 32 | 4, 5 PCLKA | 2, 3 ICLK | EDMAC a |
| 000C 026Ch | EDMAC 1 | Independent Output Signal Setting Register | IOSR | 32 | 32 | 4, 5 PCLKA | 2, 3 ICLK | EDMAC a |
| 000C 0270h | EDMAC 1 | Flow Control Start FIFO Threshold Setting Register | FCFTR | 32 | 32 | 4, 5 PCLKA | 2, 3 ICLK | EDMAC a |
| 000C 0278h | EDMAC 1 | Receive Data Padding Insert Register | RPADIR | 32 | 32 | 4, 5 PCLKA | 2, 3 ICLK | EDMAC a |
| 000C 027Ch | EDMAC 1 | Transmit Interrupt Setting Register | TRIMD | 32 | 32 | 4, 5 PCLKA | 2, 3 ICLK | EDMAC a |
| 000C 02C8h | EDMAC 1 | Receive Buffer Write Address Register | RBWAR | 32 | 32 | 4, 5 PCLKA | 2, 3 ICLK | EDMAC a |
| 000C 02CCh | EDMAC 1 | Receive Descriptor Fetch Address Register | RDFAR | 32 | 32 | 4, 5 PCLKA | 2, 3 ICLK | EDMAC a |
| 000C 02D4h | EDMAC 1 | Transmit Buffer Read Address Register | TBRAR | 32 | 32 | 4, 5 PCLKA | 2, 3 ICLK | EDMAC a |
| 000C 02D8h | EDMAC 1 | Transmit Descriptor Fetch Address Register | TDFAR | 32 | 32 | 4, 5 PCLKA | 2, 3 ICLK | EDMAC a |
| 000C 0300h | ETHER C1 | ETHERC Mode Register | ECMR | 32 | 32 | 13, 14 PCLKA | 2 to 7 ICLK | ETHER C |
| 000C 0308h | ETHER C1 | Receive Frame Length Register | RFLR | 32 | 32 | 13, 14 PCLKA | 2 to 7 ICLK | ETHER C |

Table 4.1 List of I/O Registers (Address Order) (47 / 67)

| Address | Module Symbol | Register Name | Register Symbol | Number of Bits | Access Size | Number of Access Cycles | | Related Function |
|------------|---------------|---|-----------------|----------------|-------------|-------------------------|-------------|------------------|
| | | | | | | ICLK ≥ PCLK | ICLK < PCLK | |
| 000C 0310h | ETHER C1 | ETHERC Status Register | ECSR | 32 | 32 | 13, 14 PCLKA | 2 to 7 ICLK | ETHER C |
| 000C 0318h | ETHER C1 | ETHERC Interrupt Enable Register | ECSIPR | 32 | 32 | 13, 14 PCLKA | 2 to 7 ICLK | ETHER C |
| 000C 0320h | ETHER C1 | PHY Interface Register | PIR | 32 | 32 | 13, 14 PCLKA | 2 to 7 ICLK | ETHER C |
| 000C 0328h | ETHER C1 | PHY Status Register | PSR | 32 | 32 | 13, 14 PCLKA | 2 to 7 ICLK | ETHER C |
| 000C 0340h | ETHER C1 | Random Number Generation Counter Upper Limit Setting Register | RDMLR | 32 | 32 | 13, 14 PCLKA | 2 to 7 ICLK | ETHER C |
| 000C 0350h | ETHER C1 | Interpacket Gap Register | IPGR | 32 | 32 | 13, 14 PCLKA | 2 to 7 ICLK | ETHER C |
| 000C 0354h | ETHER C1 | Automatic PAUSE Frame Register | APR | 32 | 32 | 13, 14 PCLKA | 2 to 7 ICLK | ETHER C |
| 000C 0358h | ETHER C1 | Manual PAUSE Frame Register | MPR | 32 | 32 | 13, 14 PCLKA | 2 to 7 ICLK | ETHER C |
| 000C 0360h | ETHER C1 | Received PAUSE Frame Counter | RFCF | 32 | 32 | 13, 14 PCLKA | 2 to 7 ICLK | ETHER C |
| 000C 0364h | ETHER C1 | PAUSE Frame Retransmit Count Setting Register | TPAUSER | 32 | 32 | 13, 14 PCLKA | 2 to 7 ICLK | ETHER C |
| 000C 0368h | ETHER C1 | PAUSE Frame Retransmit Counter Register | TPAUSECR | 32 | 32 | 13, 14 PCLKA | 2 to 7 ICLK | ETHER C |
| 000C 036Ch | ETHER C1 | Broadcast Frame Receive Count Setting Register | BCFRR | 32 | 32 | 13, 14 PCLKA | 2 to 7 ICLK | ETHER C |
| 000C 03C0h | ETHER C1 | MAC Address Upper Bit Register | MAHR | 32 | 32 | 13, 14 PCLKA | 2 to 7 ICLK | ETHER C |
| 000C 03C8h | ETHER C1 | MAC Address Lower Bit Register | MALR | 32 | 32 | 13, 14 PCLKA | 2 to 7 ICLK | ETHER C |
| 000C 03D0h | ETHER C1 | Transmit Retry Over Counter Register | TROCR | 32 | 32 | 13, 14 PCLKA | 2 to 7 ICLK | ETHER C |
| 000C 03D4h | ETHER C1 | Late Collision Detect Counter Register | CDCR | 32 | 32 | 13, 14 PCLKA | 2 to 7 ICLK | ETHER C |
| 000C 03D8h | ETHER C1 | Lost Carrier Counter Register | LCCR | 32 | 32 | 13, 14 PCLKA | 2 to 7 ICLK | ETHER C |
| 000C 03DCh | ETHER C1 | Carrier Not Detect Counter Register | CNDCR | 32 | 32 | 13, 14 PCLKA | 2 to 7 ICLK | ETHER C |
| 000C 03E4h | ETHER C1 | CRC Error Frame Receive Counter Register | CEFCR | 32 | 32 | 13, 14 PCLKA | 2 to 7 ICLK | ETHER C |
| 000C 03E8h | ETHER C1 | Frame Receive Error Counter Register | FRECR | 32 | 32 | 13, 14 PCLKA | 2 to 7 ICLK | ETHER C |
| 000C 03ECh | ETHER C1 | Too-Short Frame Receive Counter Register | TSFRCR | 32 | 32 | 13, 14 PCLKA | 2 to 7 ICLK | ETHER C |
| 000C 03F0h | ETHER C1 | Too-Long Frame Receive Counter Register | TLFRCR | 32 | 32 | 13, 14 PCLKA | 2 to 7 ICLK | ETHER C |
| 000C 03F4h | ETHER C1 | Received Alignment Error Frame Counter Register | RFCR | 32 | 32 | 13, 14 PCLKA | 2 to 7 ICLK | ETHER C |
| 000C 03F8h | ETHER C1 | Multicast Address Frame Receive Counter Register | MAFCR | 32 | 32 | 13, 14 PCLKA | 2 to 7 ICLK | ETHER C |
| 000C 0400h | PTPED MAC | EDMAC Mode Register | EDMR | 32 | 32 | 4, 5 PCLKA | 2, 3 ICLK | EDMAC a |
| 000C 0408h | PTPED MAC | EDMAC Transmit Request Register | EDTRR | 32 | 32 | 4, 5 PCLKA | 2, 3 ICLK | EDMAC a |
| 000C 0410h | PTPED MAC | EDMAC Receive Request Register | EDRRR | 32 | 32 | 4, 5 PCLKA | 2, 3 ICLK | EDMAC a |
| 000C 0418h | PTPED MAC | Transmit Descriptor List Start Address Register | TDLAR | 32 | 32 | 4, 5 PCLKA | 2, 3 ICLK | EDMAC a |
| 000C 0420h | PTPED MAC | Receive Descriptor List Start Address Register | RDLAR | 32 | 32 | 4, 5 PCLKA | 2, 3 ICLK | EDMAC a |
| 000C 0428h | PTPED MAC | PTP/EDMAC Status Register | EESR | 32 | 32 | 4, 5 PCLKA | 2, 3 ICLK | EDMAC a |
| 000C 0430h | PTPED MAC | PTP/EDMAC Status Interrupt Enable Register | EESIPR | 32 | 32 | 4, 5 PCLKA | 2, 3 ICLK | EDMAC a |

Table 4.1 List of I/O Registers (Address Order) (48 / 67)

| Address | Module Symbol | Register Name | Register Symbol | Number of Bits | Access Size | Number of Access Cycles | | Related Function |
|------------|---------------|--|-----------------|----------------|-------------|-------------------------|--------------|------------------|
| | | | | | | ICLK ≥ PCLKA | ICLK < PCLKA | |
| 000C 0440h | PTPED MAC | Missed-Frame Counter Register | RMFCR | 32 | 32 | 4, 5 PCLKA | 2, 3 ICLK | EDMAC a |
| 000C 0448h | PTPED MAC | Transmit FIFO Threshold Register | TFTR | 32 | 32 | 4, 5 PCLKA | 2, 3 ICLK | EDMAC a |
| 000C 0450h | PTPED MAC | FIFO Depth Register | FDR | 32 | 32 | 4, 5 PCLKA | 2, 3 ICLK | EDMAC a |
| 000C 0458h | PTPED MAC | Receive Method Control Register | RMCR | 32 | 32 | 4, 5 PCLKA | 2, 3 ICLK | EDMAC a |
| 000C 0464h | PTPED MAC | Transmit FIFO Underflow Counter | TFUCR | 32 | 32 | 4, 5 PCLKA | 2, 3 ICLK | EDMAC a |
| 000C 0468h | PTPED MAC | Receive FIFO Overflow Counter | RFOCR | 32 | 32 | 4, 5 PCLKA | 2, 3 ICLK | EDMAC a |
| 000C 0470h | PTPED MAC | Flow Control Start FIFO Threshold Setting Register | FCFTR | 32 | 32 | 4, 5 PCLKA | 2, 3 ICLK | EDMAC a |
| 000C 0478h | PTPED MAC | Receive Data Padding Insert Register | RPADIR | 32 | 32 | 4, 5 PCLKA | 2, 3 ICLK | EDMAC a |
| 000C 047Ch | PTPED MAC | Transmit Interrupt Setting Register | TRIMD | 32 | 32 | 4, 5 PCLKA | 2, 3 ICLK | EDMAC a |
| 000C 04C8h | PTPED MAC | Receive Buffer Write Address Register | RBWAR | 32 | 32 | 4, 5 PCLKA | 2, 3 ICLK | EDMAC a |
| 000C 04CCh | PTPED MAC | Receive Descriptor Fetch Address Register | RDFAR | 32 | 32 | 4, 5 PCLKA | 2, 3 ICLK | EDMAC a |
| 000C 04D4h | PTPED MAC | Transmit Buffer Read Address Register | TBRAR | 32 | 32 | 4, 5 PCLKA | 2, 3 ICLK | EDMAC a |
| 000C 04D8h | PTPED MAC | Transmit Descriptor Fetch Address Register | TDFAR | 32 | 32 | 4, 5 PCLKA | 2, 3 ICLK | EDMAC a |
| 000C 0500h | EPTPC | PTP Reset Register | PTRSTR | 32 | 32 | 3, 4 PCLKA | 2, 3 ICLK | EPTPC |
| 000C 0504h | EPTPC | STCA Clock Select Register | STCSELR | 32 | 32 | 3, 4 PCLKA | 2, 3 ICLK | EPTPC |
| 000C 1200h | MTU3 | Timer Control Register | TCR | 8 | 8 | 5, 6 PCLKA | 2, 3 ICLK | MTU3a |
| 000C 1201h | MTU4 | Timer Control Register | TCR | 8 | 8 | 5, 6 PCLKA | 2, 3 ICLK | MTU3a |
| 000C 1202h | MTU3 | Timer Mode Register 1 | TMDR1 | 8 | 8 | 5, 6 PCLKA | 2, 3 ICLK | MTU3a |
| 000C 1203h | MTU4 | Timer Mode Register 1 | TMDR1 | 8 | 8 | 5, 6 PCLKA | 2, 3 ICLK | MTU3a |
| 000C 1204h | MTU3 | Timer I/O Control Register H | TIORH | 8 | 8 | 5, 6 PCLKA | 2, 3 ICLK | MTU3a |
| 000C 1205h | MTU3 | Timer I/O Control Register L | TIORL | 8 | 8 | 5, 6 PCLKA | 2, 3 ICLK | MTU3a |
| 000C 1206h | MTU4 | Timer I/O Control Register H | TIORH | 8 | 8 | 5, 6 PCLKA | 2, 3 ICLK | MTU3a |
| 000C 1207h | MTU4 | Timer I/O Control Register L | TIORL | 8 | 8 | 5, 6 PCLKA | 2, 3 ICLK | MTU3a |
| 000C 1208h | MTU3 | Timer Interrupt Enable Register | TIER | 8 | 8 | 5, 6 PCLKA | 2, 3 ICLK | MTU3a |
| 000C 1209h | MTU4 | Timer Interrupt Enable Register | TIER | 8 | 8 | 5, 6 PCLKA | 2, 3 ICLK | MTU3a |
| 000C 120Ah | MTU | Timer Output Master Enable Register A | TOERA | 8 | 8 | 5, 6 PCLKA | 2, 3 ICLK | MTU3a |
| 000C 120Dh | MTU | Timer Gate Control Register A | TGCRA | 8 | 8 | 5, 6 PCLKA | 2, 3 ICLK | MTU3a |
| 000C 120Eh | MTU | Timer Output Control Register 1A | TOCR1A | 8 | 8 | 5, 6 PCLKA | 2, 3 ICLK | MTU3a |
| 000C 120Fh | MTU | Timer Output Control Register 2A | TOCR2A | 8 | 8 | 5, 6 PCLKA | 2, 3 ICLK | MTU3a |
| 000C 1210h | MTU3 | Timer Counter | TCNT | 16 | 16 | 5, 6 PCLKA | 2, 3 ICLK | MTU3a |
| 000C 1212h | MTU4 | Timer Counter | TCNT | 16 | 16 | 5, 6 PCLKA | 2, 3 ICLK | MTU3a |
| 000C 1214h | MTU | Timer Cycle Data Register A | TCDRA | 16 | 16 | 5, 6 PCLKA | 2, 3 ICLK | MTU3a |
| 000C 1216h | MTU | Timer Dead Time Data Register A | TDDRA | 16 | 16 | 5, 6 PCLKA | 2, 3 ICLK | MTU3a |
| 000C 1218h | MTU3 | Timer General Register A | TGRA | 16 | 16 | 5, 6 PCLKA | 2, 3 ICLK | MTU3a |
| 000C 121Ah | MTU3 | Timer General Register B | TGRB | 16 | 16 | 5, 6 PCLKA | 2, 3 ICLK | MTU3a |
| 000C 121Ch | MTU4 | Timer General Register A | TGRA | 16 | 16 | 5, 6 PCLKA | 2, 3 ICLK | MTU3a |
| 000C 121Eh | MTU4 | Timer General Register B | TGRB | 16 | 16 | 5, 6 PCLKA | 2, 3 ICLK | MTU3a |
| 000C 1220h | MTU | Timer Subcounter A | TCNTSA | 16 | 16 | 5, 6 PCLKA | 2, 3 ICLK | MTU3a |
| 000C 1222h | MTU | Timer Cycle Buffer Register A | TCBRA | 16 | 16 | 5, 6 PCLKA | 2, 3 ICLK | MTU3a |
| 000C 1224h | MTU3 | Timer General Register C | TGRC | 16 | 16 | 5, 6 PCLKA | 2, 3 ICLK | MTU3a |
| 000C 1226h | MTU3 | Timer General Register D | TGRD | 16 | 16 | 5, 6 PCLKA | 2, 3 ICLK | MTU3a |
| 000C 1228h | MTU4 | Timer General Register C | TGRC | 16 | 16 | 5, 6 PCLKA | 2, 3 ICLK | MTU3a |

Table 4.1 List of I/O Registers (Address Order) (49 / 67)

| Address | Module Symbol | Register Name | Register Symbol | Number of Bits | Access Size | Number of Access Cycles | | Related Function |
|------------|---------------|---|-----------------|----------------|-------------|-------------------------|-------------|------------------|
| | | | | | | ICLK ≥ PCLK | ICLK < PCLK | |
| 000C 122Ah | MTU4 | Timer General Register D | TGRD | 16 | 16 | 5, 6 PCLKA | 2, 3 ICLK | MTU3a |
| 000C 122Ch | MTU3 | Timer Status Register | TSR | 8 | 8 | 5, 6 PCLKA | 2, 3 ICLK | MTU3a |
| 000C 122Dh | MTU4 | Timer Status Register | TSR | 8 | 8 | 5, 6 PCLKA | 2, 3 ICLK | MTU3a |
| 000C 1230h | MTU | Timer Interrupt Skipping Set Register 1A | TITCR1A | 8 | 8 | 5, 6 PCLKA | 2, 3 ICLK | MTU3a |
| 000C 1231h | MTU | Timer Interrupt Skipping Counter 1A | TITCNT1A | 8 | 8 | 5, 6 PCLKA | 2, 3 ICLK | MTU3a |
| 000C 1232h | MTU | Timer Buffer Transfer Set Register A | TBTERA | 8 | 8 | 5, 6 PCLKA | 2, 3 ICLK | MTU3a |
| 000C 1234h | MTU | Timer Dead Time Enable Register A | TDERA | 8 | 8 | 5, 6 PCLKA | 2, 3 ICLK | MTU3a |
| 000C 1236h | MTU | Timer Output Level Buffer Register A | TOLBRA | 8 | 8 | 5, 6 PCLKA | 2, 3 ICLK | MTU3a |
| 000C 1238h | MTU3 | Timer Buffer Operation Transfer Mode Register | TBTM | 8 | 8 | 5, 6 PCLKA | 2, 3 ICLK | MTU3a |
| 000C 1239h | MTU4 | Timer Buffer Operation Transfer Mode Register | TBTM | 8 | 8 | 5, 6 PCLKA | 2, 3 ICLK | MTU3a |
| 000C 123Ah | MTU | Timer Interrupt Skipping Mode Register A | TITMRA | 8 | 8 | 5, 6 PCLKA | 2, 3 ICLK | MTU3a |
| 000C 123Bh | MTU | Timer Interrupt Skipping Set Register 2A | TITCR2A | 8 | 8 | 5, 6 PCLKA | 2, 3 ICLK | MTU3a |
| 000C 123Ch | MTU | Timer Interrupt Skipping Counter 2A | TITCNT2A | 8 | 8 | 5, 6 PCLKA | 2, 3 ICLK | MTU3a |
| 000C 1240h | MTU4 | Timer A/D Converter Start Request Control Register | TADCR | 16 | 16 | 5, 6 PCLKA | 2, 3 ICLK | MTU3a |
| 000C 1244h | MTU4 | Timer A/D Converter Start Request Cycle Set Register A | TADCORA | 16 | 16 | 5, 6 PCLKA | 2, 3 ICLK | MTU3a |
| 000C 1246h | MTU4 | Timer A/D Converter Start Request Cycle Set Register B | TADCORB | 16 | 16 | 5, 6 PCLKA | 2, 3 ICLK | MTU3a |
| 000C 1248h | MTU4 | Timer A/D Converter Start Request Cycle Set Buffer Register A | TADCOBRA | 16 | 16 | 5, 6 PCLKA | 2, 3 ICLK | MTU3a |
| 000C 124Ah | MTU4 | Timer A/D Converter Start Request Cycle Set Buffer Register B | TADCOBRB | 16 | 16 | 5, 6 PCLKA | 2, 3 ICLK | MTU3a |
| 000C 124Ch | MTU3 | Timer Control Register 2 | TCR2 | 8 | 8 | 5, 6 PCLKA | 2, 3 ICLK | MTU3a |
| 000C 124Dh | MTU4 | Timer Control Register 2 | TCR2 | 8 | 8 | 5, 6 PCLKA | 2, 3 ICLK | MTU3a |
| 000C 1260h | MTU | Timer Waveform Control Register A | TWCRA | 8 | 8 | 5, 6 PCLKA | 2, 3 ICLK | MTU3a |
| 000C 1270h | MTU | Timer Mode Register 2A | TMDR2A | 8 | 8 | 5, 6 PCLKA | 2, 3 ICLK | MTU3a |
| 000C 1272h | MTU3 | Timer General Register E | TGRE | 16 | 16 | 5, 6 PCLKA | 2, 3 ICLK | MTU3a |
| 000C 1274h | MTU4 | Timer General Register E | TGRE | 16 | 16 | 5, 6 PCLKA | 2, 3 ICLK | MTU3a |
| 000C 1276h | MTU4 | Timer General Register F | TGRF | 16 | 16 | 5, 6 PCLKA | 2, 3 ICLK | MTU3a |
| 000C 1280h | MTU | Timer Start Register A | TSTRA | 8 | 8 | 5, 6 PCLKA | 2, 3 ICLK | MTU3a |
| 000C 1281h | MTU | Timer Synchronous Register A | TSYRA | 8 | 8 | 5, 6 PCLKA | 2, 3 ICLK | MTU3a |
| 000C 1282h | MTU | Timer Counter Synchronous Start Register | TCSYSTR | 8 | 8 | 5, 6 PCLKA | 2, 3 ICLK | MTU3a |
| 000C 1284h | MTU | Timer Read/Write Enable Register A | TRWERA | 8 | 8 | 5, 6 PCLKA | 2, 3 ICLK | MTU3a |
| 000C 1290h | MTU0 | Noise Filter Control Register 0 | NFCR0 | 8 | 8 | 5, 6 PCLKA | 2, 3 ICLK | MTU3a |
| 000C 1291h | MTU1 | Noise Filter Control Register 1 | NFCR1 | 8 | 8 | 5, 6 PCLKA | 2, 3 ICLK | MTU3a |
| 000C 1292h | MTU2 | Noise Filter Control Register 2 | NFCR2 | 8 | 8 | 5, 6 PCLKA | 2, 3 ICLK | MTU3a |
| 000C 1293h | MTU3 | Noise Filter Control Register 3 | NFCR3 | 8 | 8 | 5, 6 PCLKA | 2, 3 ICLK | MTU3a |
| 000C 1294h | MTU4 | Noise Filter Control Register 4 | NFCR4 | 8 | 8 | 5, 6 PCLKA | 2, 3 ICLK | MTU3a |
| 000C 1298h | MTU8 | Noise Filter Control Register 8 | NFCR8 | 8 | 8 | 5, 6 PCLKA | 2, 3 ICLK | MTU3a |
| 000C 1299h | MTU0 | Noise Filter Control Register C | NFCRC | 8 | 8 | 5, 6 PCLKA | 2, 3 ICLK | MTU3a |
| 000C 1300h | MTU0 | Timer Control Register | TCR | 8 | 8 | 5, 6 PCLKA | 2, 3 ICLK | MTU3a |
| 000C 1301h | MTU0 | Timer Mode Register 1 | TMDR1 | 8 | 8 | 5, 6 PCLKA | 2, 3 ICLK | MTU3a |
| 000C 1302h | MTU0 | Timer I/O Control Register H | TIORH | 8 | 8 | 5, 6 PCLKA | 2, 3 ICLK | MTU3a |
| 000C 1303h | MTU0 | Timer I/O Control Register L | TIORL | 8 | 8 | 5, 6 PCLKA | 2, 3 ICLK | MTU3a |
| 000C 1304h | MTU0 | Timer Interrupt Enable Register | TIER | 8 | 8 | 5, 6 PCLKA | 2, 3 ICLK | MTU3a |
| 000C 1306h | MTU0 | Timer Counter | TCNT | 16 | 16 | 5, 6 PCLKA | 2, 3 ICLK | MTU3a |
| 000C 1308h | MTU0 | Timer General Register A | TGRA | 16 | 16 | 5, 6 PCLKA | 2, 3 ICLK | MTU3a |
| 000C 130Ah | MTU0 | Timer General Register B | TGRB | 16 | 16 | 5, 6 PCLKA | 2, 3 ICLK | MTU3a |
| 000C 130Ch | MTU0 | Timer General Register C | TGRC | 16 | 16 | 5, 6 PCLKA | 2, 3 ICLK | MTU3a |
| 000C 130Eh | MTU0 | Timer General Register D | TGRD | 16 | 16 | 5, 6 PCLKA | 2, 3 ICLK | MTU3a |
| 000C 1320h | MTU0 | Timer General Register E | TGRE | 16 | 16 | 5, 6 PCLKA | 2, 3 ICLK | MTU3a |

Table 4.1 List of I/O Registers (Address Order) (50 / 67)

| Address | Module Symbol | Register Name | Register Symbol | Number of Bits | Access Size | Number of Access Cycles | | Related Function |
|------------|---------------|---|-----------------|----------------|-------------|-------------------------|-------------|------------------|
| | | | | | | ICLK ≥ PCLK | ICLK < PCLK | |
| 000C 1322h | MTU0 | Timer General Register F | TGRF | 16 | 16 | 5, 6 PCLKA | 2, 3 ICLK | MTU3a |
| 000C 1324h | MTU0 | Timer Interrupt Enable Register 2 | TIER2 | 8 | 8 | 5, 6 PCLKA | 2, 3 ICLK | MTU3a |
| 000C 1326h | MTU0 | Timer Buffer Operation Transfer Mode Register | TBTM | 8 | 8 | 5, 6 PCLKA | 2, 3 ICLK | MTU3a |
| 000C 1328h | MTU0 | Timer Control Register 2 | TCR2 | 8 | 8 | 5, 6 PCLKA | 2, 3 ICLK | MTU3a |
| 000C 1380h | MTU1 | Timer Control Register | TCR | 8 | 8 | 5, 6 PCLKA | 2, 3 ICLK | MTU3a |
| 000C 1381h | MTU1 | Timer Mode Register 1 | TMDR1 | 8 | 8 | 5, 6 PCLKA | 2, 3 ICLK | MTU3a |
| 000C 1382h | MTU1 | Timer I/O Control Register | TIOR | 8 | 8 | 5, 6 PCLKA | 2, 3 ICLK | MTU3a |
| 000C 1384h | MTU1 | Timer Interrupt Enable Register | TIER | 8 | 8 | 5, 6 PCLKA | 2, 3 ICLK | MTU3a |
| 000C 1385h | MTU1 | Timer Status Register | TSR | 8 | 8 | 5, 6 PCLKA | 2, 3 ICLK | MTU3a |
| 000C 1386h | MTU1 | Timer Counter | TCNT | 16 | 16 | 5, 6 PCLKA | 2, 3 ICLK | MTU3a |
| 000C 1388h | MTU1 | Timer General Register A | TGRA | 16 | 16 | 5, 6 PCLKA | 2, 3 ICLK | MTU3a |
| 000C 138Ah | MTU1 | Timer General Register B | TGRB | 16 | 16 | 5, 6 PCLKA | 2, 3 ICLK | MTU3a |
| 000C 1390h | MTU1 | Timer Input Capture Control Register | TICCR | 8 | 8 | 5, 6 PCLKA | 2, 3 ICLK | MTU3a |
| 000C 1391h | MTU1 | Timer Mode Register 3 | TMDR3 | 8 | 8 | 5, 6 PCLKA | 2, 3 ICLK | MTU3a |
| 000C 1394h | MTU1 | Timer Control Register 2 | TCR2 | 8 | 8 | 5, 6 PCLKA | 2, 3 ICLK | MTU3a |
| 000C 13A0h | MTU1 | Timer Longword Counter | TCNTLW | 32 | 32 | 5, 6 PCLKA | 2, 3 ICLK | MTU3a |
| 000C 13A4h | MTU1 | Timer Longword General Register | TGRALW | 32 | 32 | 5, 6 PCLKA | 2, 3 ICLK | MTU3a |
| 000C 13A8h | MTU1 | Timer Longword General Register | TGRBLW | 32 | 32 | 5, 6 PCLKA | 2, 3 ICLK | MTU3a |
| 000C 1400h | MTU2 | Timer Control Register | TCR | 8 | 8 | 5, 6 PCLKA | 2, 3 ICLK | MTU3a |
| 000C 1401h | MTU2 | Timer Mode Register 1 | TMDR1 | 8 | 8 | 5, 6 PCLKA | 2, 3 ICLK | MTU3a |
| 000C 1402h | MTU2 | Timer I/O Control Register | TIOR | 8 | 8 | 5, 6 PCLKA | 2, 3 ICLK | MTU3a |
| 000C 1404h | MTU2 | Timer Interrupt Enable Register | TIER | 8 | 8 | 5, 6 PCLKA | 2, 3 ICLK | MTU3a |
| 000C 1405h | MTU2 | Timer Status Register | TSR | 8 | 8 | 5, 6 PCLKA | 2, 3 ICLK | MTU3a |
| 000C 1406h | MTU2 | Timer Counter | TCNT | 16 | 16 | 5, 6 PCLKA | 2, 3 ICLK | MTU3a |
| 000C 1408h | MTU2 | Timer General Register A | TGRA | 16 | 16 | 5, 6 PCLKA | 2, 3 ICLK | MTU3a |
| 000C 140Ah | MTU2 | Timer General Register B | TGRB | 16 | 16 | 5, 6 PCLKA | 2, 3 ICLK | MTU3a |
| 000C 140Ch | MTU2 | Timer Control Register 2 | TCR2 | 8 | 8 | 5, 6 PCLKA | 2, 3 ICLK | MTU3a |
| 000C 1600h | MTU8 | Timer Control Register | TCR | 8 | 8 | 5, 6 PCLKA | 2, 3 ICLK | MTU3a |
| 000C 1601h | MTU8 | Timer Mode Register 1 | TMDR1 | 8 | 8 | 5, 6 PCLKA | 2, 3 ICLK | MTU3a |
| 000C 1602h | MTU8 | Timer I/O Control Register H | TIORH | 8 | 8 | 5, 6 PCLKA | 2, 3 ICLK | MTU3a |
| 000C 1603h | MTU8 | Timer I/O Control Register L | TIORL | 8 | 8 | 5, 6 PCLKA | 2, 3 ICLK | MTU3a |
| 000C 1604h | MTU8 | Timer Interrupt Enable Register | TIER | 8 | 8 | 5, 6 PCLKA | 2, 3 ICLK | MTU3a |
| 000C 1606h | MTU8 | Timer Control Register 2 | TCR2 | 8 | 8 | 5, 6 PCLKA | 2, 3 ICLK | MTU3a |
| 000C 1608h | MTU8 | Timer Counter | TCNT | 32 | 32 | 5, 6 PCLKA | 2, 3 ICLK | MTU3a |
| 000C 160Ch | MTU8 | Timer General Register A | TGRA | 32 | 32 | 5, 6 PCLKA | 2, 3 ICLK | MTU3a |
| 000C 1610h | MTU8 | Timer General Register B | TGRB | 32 | 32 | 5, 6 PCLKA | 2, 3 ICLK | MTU3a |
| 000C 1614h | MTU8 | Timer General Register C | TGRC | 32 | 32 | 5, 6 PCLKA | 2, 3 ICLK | MTU3a |
| 000C 1618h | MTU8 | Timer General Register D | TGRD | 32 | 32 | 5, 6 PCLKA | 2, 3 ICLK | MTU3a |
| 000C 1A00h | MTU6 | Timer Control Register | TCR | 8 | 8 | 5, 6 PCLKA | 2, 3 ICLK | MTU3a |
| 000C 1A01h | MTU7 | Timer Control Register | TCR | 8 | 8 | 5, 6 PCLKA | 2, 3 ICLK | MTU3a |
| 000C 1A02h | MTU6 | Timer Mode Register 1 | TMDR1 | 8 | 8 | 5, 6 PCLKA | 2, 3 ICLK | MTU3a |
| 000C 1A03h | MTU7 | Timer Mode Register 1 | TMDR1 | 8 | 8 | 5, 6 PCLKA | 2, 3 ICLK | MTU3a |
| 000C 1A04h | MTU6 | Timer I/O Control Register H | TIORH | 8 | 8 | 5, 6 PCLKA | 2, 3 ICLK | MTU3a |
| 000C 1A05h | MTU6 | Timer I/O Control Register L | TIORL | 8 | 8 | 5, 6 PCLKA | 2, 3 ICLK | MTU3a |
| 000C 1A06h | MTU7 | Timer I/O Control Register H | TIORH | 8 | 8 | 5, 6 PCLKA | 2, 3 ICLK | MTU3a |
| 000C 1A07h | MTU7 | Timer I/O Control Register L | TIORL | 8 | 8 | 5, 6 PCLKA | 2, 3 ICLK | MTU3a |
| 000C 1A08h | MTU6 | Timer Interrupt Enable Register | TIER | 8 | 8 | 5, 6 PCLKA | 2, 3 ICLK | MTU3a |
| 000C 1A09h | MTU7 | Timer Interrupt Enable Register | TIER | 8 | 8 | 5, 6 PCLKA | 2, 3 ICLK | MTU3a |
| 000C 1A0Ah | MTU | Timer Output Master Enable Register B | TOERB | 8 | 8 | 5, 6 PCLKA | 2, 3 ICLK | MTU3a |
| 000C 1A0Eh | MTU | Timer Output Control Register 1B | TOCR1B | 8 | 8 | 5, 6 PCLKA | 2, 3 ICLK | MTU3a |

Table 4.1 List of I/O Registers (Address Order) (51 / 67)

| Address | Module Symbol | Register Name | Register Symbol | Number of Bits | Access Size | Number of Access Cycles | | Related Function |
|------------|---------------|---|-----------------|----------------|-------------|-------------------------|-------------|------------------|
| | | | | | | ICLK ≥ PCLK | ICLK < PCLK | |
| 000C 1A0Fh | MTU | Timer Output Control Register 2B | TOCR2B | 8 | 8 | 5, 6 PCLKA | 2, 3 ICLK | MTU3a |
| 000C 1A10h | MTU6 | Timer Counter | TCNT | 16 | 16 | 5, 6 PCLKA | 2, 3 ICLK | MTU3a |
| 000C 1A12h | MTU7 | Timer Counter | TCNT | 16 | 16 | 5, 6 PCLKA | 2, 3 ICLK | MTU3a |
| 000C 1A14h | MTU | Timer Cycle Data Register B | TCDRB | 16 | 16 | 5, 6 PCLKA | 2, 3 ICLK | MTU3a |
| 000C 1A16h | MTU | Timer Dead Time Data Register B | TDDR | 16 | 16 | 5, 6 PCLKA | 2, 3 ICLK | MTU3a |
| 000C 1A18h | MTU6 | Timer General Register A | TGRA | 16 | 16 | 5, 6 PCLKA | 2, 3 ICLK | MTU3a |
| 000C 1A1Ah | MTU6 | Timer General Register B | TGRB | 16 | 16 | 5, 6 PCLKA | 2, 3 ICLK | MTU3a |
| 000C 1A1Ch | MTU7 | Timer General Register A | TGRA | 16 | 16 | 5, 6 PCLKA | 2, 3 ICLK | MTU3a |
| 000C 1A1Eh | MTU7 | Timer General Register B | TGRB | 16 | 16 | 5, 6 PCLKA | 2, 3 ICLK | MTU3a |
| 000C 1A20h | MTU | Timer Subcounter B | TCNTSB | 16 | 16 | 5, 6 PCLKA | 2, 3 ICLK | MTU3a |
| 000C 1A22h | MTU | Timer Cycle Buffer Register B | TCBRB | 16 | 16 | 5, 6 PCLKA | 2, 3 ICLK | MTU3a |
| 000C 1A24h | MTU6 | Timer General Register C | TGRC | 16 | 16 | 5, 6 PCLKA | 2, 3 ICLK | MTU3a |
| 000C 1A26h | MTU6 | Timer General Register D | TGRD | 16 | 16 | 5, 6 PCLKA | 2, 3 ICLK | MTU3a |
| 000C 1A28h | MTU7 | Timer General Register C | TGRC | 16 | 16 | 5, 6 PCLKA | 2, 3 ICLK | MTU3a |
| 000C 1A2Ah | MTU7 | Timer General Register D | TGRD | 16 | 16 | 5, 6 PCLKA | 2, 3 ICLK | MTU3a |
| 000C 1A2Ch | MTU6 | Timer Status Register | TSR | 8 | 8 | 5, 6 PCLKA | 2, 3 ICLK | MTU3a |
| 000C 1A2Dh | MTU7 | Timer Status Register | TSR | 8 | 8 | 5, 6 PCLKA | 2, 3 ICLK | MTU3a |
| 000C 1A30h | MTU | Timer Interrupt Skipping Set Register 1B | TITCR1B | 8 | 8 | 5, 6 PCLKA | 2, 3 ICLK | MTU3a |
| 000C 1A31h | MTU | Timer Interrupt Skipping Counter 1B | TITCNT1B | 8 | 8 | 5, 6 PCLKA | 2, 3 ICLK | MTU3a |
| 000C 1A32h | MTU | Timer Buffer Transfer Set Register B | TBTERB | 8 | 8 | 5, 6 PCLKA | 2, 3 ICLK | MTU3a |
| 000C 1A34h | MTU | Timer Dead Time Enable Register B | TDERB | 8 | 8 | 5, 6 PCLKA | 2, 3 ICLK | MTU3a |
| 000C 1A36h | MTU | Timer Output Level Buffer Register B | TOLBRB | 8 | 8 | 5, 6 PCLKA | 2, 3 ICLK | MTU3a |
| 000C 1A38h | MTU6 | Timer Buffer Operation Transfer Mode Register | TBTM | 8 | 8 | 5, 6 PCLKA | 2, 3 ICLK | MTU3a |
| 000C 1A39h | MTU7 | Timer Buffer Operation Transfer Mode Register | TBTM | 8 | 8 | 5, 6 PCLKA | 2, 3 ICLK | MTU3a |
| 000C 1A3Ah | MTU | Timer Interrupt Skipping Mode Register B | TITMRB | 8 | 8 | 5, 6 PCLKA | 2, 3 ICLK | MTU3a |
| 000C 1A3Bh | MTU | Timer Interrupt Skipping Set Register 2B | TITCR2B | 8 | 8 | 5, 6 PCLKA | 2, 3 ICLK | MTU3a |
| 000C 1A3Ch | MTU | Timer Interrupt Skipping Counter 2B | TITCNT2B | 8 | 8 | 5, 6 PCLKA | 2, 3 ICLK | MTU3a |
| 000C 1A40h | MTU7 | Timer A/D Converter Start Request Control Register | TADCR | 16 | 16 | 5, 6 PCLKA | 2, 3 ICLK | MTU3a |
| 000C 1A44h | MTU7 | Timer A/D Converter Start Request Cycle Set Register A | TADCORA | 16 | 16 | 5, 6 PCLKA | 2, 3 ICLK | MTU3a |
| 000C 1A46h | MTU7 | Timer A/D Converter Start Request Cycle Set Register B | TADCORB | 16 | 16 | 5, 6 PCLKA | 2, 3 ICLK | MTU3a |
| 000C 1A48h | MTU7 | Timer A/D Converter Start Request Cycle Set Buffer Register A | TADCOBRA | 16 | 16 | 5, 6 PCLKA | 2, 3 ICLK | MTU3a |
| 000C 1A4Ah | MTU7 | Timer A/D Converter Start Request Cycle Set Buffer Register B | TADCOBRB | 16 | 16 | 5, 6 PCLKA | 2, 3 ICLK | MTU3a |
| 000C 1A4Ch | MTU6 | Timer Control Register 2 | TCR2 | 8 | 8 | 5, 6 PCLKA | 2, 3 ICLK | MTU3a |
| 000C 1A4Dh | MTU7 | Timer Control Register 2 | TCR2 | 8 | 8 | 5, 6 PCLKA | 2, 3 ICLK | MTU3a |
| 000C 1A50h | MTU6 | Timer Synchronous Clear Register | TSYCR | 8 | 8 | 5, 6 PCLKA | 2, 3 ICLK | MTU3a |
| 000C 1A60h | MTU | Timer Waveform Control Register B | TWCRB | 8 | 8 | 5, 6 PCLKA | 2, 3 ICLK | MTU3a |
| 000C 1A70h | MTU | Timer Mode Register 2B | TMDR2B | 8 | 8 | 5, 6 PCLKA | 2, 3 ICLK | MTU3a |
| 000C 1A72h | MTU6 | Timer General Register E | TGRE | 16 | 16 | 5, 6 PCLKA | 2, 3 ICLK | MTU3a |
| 000C 1A74h | MTU7 | Timer General Register E | TGRE | 16 | 16 | 5, 6 PCLKA | 2, 3 ICLK | MTU3a |
| 000C 1A76h | MTU7 | Timer General Register F | TGRF | 16 | 16 | 5, 6 PCLKA | 2, 3 ICLK | MTU3a |
| 000C 1A80h | MTU | Timer Start Register B | TSTRB | 8 | 8 | 5, 6 PCLKA | 2, 3 ICLK | MTU3a |
| 000C 1A81h | MTU | Timer Synchronous Register B | TSYRB | 8 | 8 | 5, 6 PCLKA | 2, 3 ICLK | MTU3a |
| 000C 1A84h | MTU | Timer Read/Write Enable Register B | TRWERB | 8 | 8 | 5, 6 PCLKA | 2, 3 ICLK | MTU3a |
| 000C 1A93h | MTU6 | Noise Filter Control Register 6 | NFCR6 | 8 | 8 | 5, 6 PCLKA | 2, 3 ICLK | MTU3a |
| 000C 1A94h | MTU7 | Noise Filter Control Register 7 | NFCR7 | 8 | 8 | 5, 6 PCLKA | 2, 3 ICLK | MTU3a |
| 000C 1A95h | MTU5 | Noise Filter Control Register 5 | NFCR5 | 8 | 8 | 5, 6 PCLKA | 2, 3 ICLK | MTU3a |
| 000C 1C80h | MTU5 | Timer Counter U | TCNTU | 16 | 16 | 5, 6 PCLKA | 2, 3 ICLK | MTU3a |

Table 4.1 List of I/O Registers (Address Order) (52 / 67)

| Address | Module Symbol | Register Name | Register Symbol | Number of Bits | Access Size | Number of Access Cycles | | Related Function |
|------------|---------------|---|-----------------|----------------|-------------|-------------------------|-------------|------------------|
| | | | | | | ICLK ≥ PCLK | ICLK < PCLK | |
| 000C 1C82h | MTU5 | Timer General Register U | TGRU | 16 | 16 | 5, 6 PCLKA | 2, 3 ICLK | MTU3a |
| 000C 1C84h | MTU5 | Timer Control Register U | TCRU | 8 | 8 | 5, 6 PCLKA | 2, 3 ICLK | MTU3a |
| 000C 1C85h | MTU5 | Timer Control Register 2 | TCR2U | 8 | 8 | 5, 6 PCLKA | 2, 3 ICLK | MTU3a |
| 000C 1C86h | MTU5 | Timer I/O Control Register U | TIORU | 8 | 8 | 5, 6 PCLKA | 2, 3 ICLK | MTU3a |
| 000C 1C90h | MTU5 | Timer Counter V | TCNTV | 16 | 16 | 5, 6 PCLKA | 2, 3 ICLK | MTU3a |
| 000C 1C92h | MTU5 | Timer General Register V | TGRV | 16 | 16 | 5, 6 PCLKA | 2, 3 ICLK | MTU3a |
| 000C 1C94h | MTU5 | Timer Control Register V | TCRV | 8 | 8 | 5, 6 PCLKA | 2, 3 ICLK | MTU3a |
| 000C 1C95h | MTU5 | Timer Control Register 2 | TCR2V | 8 | 8 | 5, 6 PCLKA | 2, 3 ICLK | MTU3a |
| 000C 1C96h | MTU5 | Timer I/O Control Register V | TIORV | 8 | 8 | 5, 6 PCLKA | 2, 3 ICLK | MTU3a |
| 000C 1CA0h | MTU5 | Timer Counter W | TCNTW | 16 | 16 | 5, 6 PCLKA | 2, 3 ICLK | MTU3a |
| 000C 1CA2h | MTU5 | Timer General Register W | TGRW | 16 | 16 | 5, 6 PCLKA | 2, 3 ICLK | MTU3a |
| 000C 1CA4h | MTU5 | Timer Control Register W | TCRW | 8 | 8 | 5, 6 PCLKA | 2, 3 ICLK | MTU3a |
| 000C 1CA5h | MTU5 | Timer Control Register 2 | TCR2W | 8 | 8 | 5, 6 PCLKA | 2, 3 ICLK | MTU3a |
| 000C 1CA6h | MTU5 | Timer I/O Control Register W | TIORW | 8 | 8 | 5, 6 PCLKA | 2, 3 ICLK | MTU3a |
| 000C 1CB2h | MTU5 | Timer Interrupt Enable Register | TIER | 8 | 8 | 5, 6 PCLKA | 2, 3 ICLK | MTU3a |
| 000C 1CB4h | MTU5 | Timer Start Register | TSTR | 8 | 8 | 5, 6 PCLKA | 2, 3 ICLK | MTU3a |
| 000C 1CB6h | MTU5 | Timer Compare Match Clear Register | TCNTCMPCLR | 8 | 8 | 5, 6 PCLKA | 2, 3 ICLK | MTU3a |
| 000C 2000h | GPT | General PWM Timer Software Start Register | GTSTR | 16 | 16 | 4, 5 PCLKA | 2, 3 ICLK | GPTA |
| 000C 2002h | GPT | Noise Filter Control Register | NFCR | 16 | 16 | 4, 5 PCLKA | 2, 3 ICLK | GPTA |
| 000C 2004h | GPT | General PWM Timer Hardware Source Start/Stop Control Register | GTHSCR | 16 | 16 | 4, 5 PCLKA | 2, 3 ICLK | GPTA |
| 000C 2006h | GPT | General PWM Timer Hardware Source Clear Control Register | GTHCCR | 16 | 16 | 4, 5 PCLKA | 2, 3 ICLK | GPTA |
| 000C 2008h | GPT | General PWM Timer Hardware Start Source Select Register | GTHSSR | 16 | 16 | 4, 5 PCLKA | 2, 3 ICLK | GPTA |
| 000C 200Ah | GPT | General PWM Timer Hardware Stop/Clear Source Select Register | GTHPSR | 16 | 16 | 4, 5 PCLKA | 2, 3 ICLK | GPTA |
| 000C 200Ch | GPT | General PWM Timer Write-Protection Register | GTWP | 16 | 16 | 4, 5 PCLKA | 2, 3 ICLK | GPTA |
| 000C 200Eh | GPT | General PWM Timer Sync Register | GTSYNC | 16 | 16 | 4, 5 PCLKA | 2, 3 ICLK | GPTA |
| 000C 2010h | GPT | General PWM Timer External Trigger Input Interrupt Register | GTETINT | 16 | 16 | 4, 5 PCLKA | 2, 3 ICLK | GPTA |
| 000C 2014h | GPT | General PWM Timer Buffer Operation Disable Register | GTBDR | 16 | 16 | 4, 5 PCLKA | 2, 3 ICLK | GPTA |
| 000C 2018h | GPT | General PWM Timer Start Write-Protection Register | GTSWP | 16 | 16 | 4, 5 PCLKA | 2, 3 ICLK | GPTA |
| 000C 2100h | GPT0 | General PWM Timer I/O Control Register | GTIOR | 16 | 16 | 4, 5 PCLKA | 2, 3 ICLK | GPTA |
| 000C 2102h | GPT0 | General PWM Timer Interrupt Output Setting Register | GTINTAD | 16 | 16 | 4, 5 PCLKA | 2, 3 ICLK | GPTA |
| 000C 2104h | GPT0 | General PWM Timer Control Register | GTCR | 16 | 16 | 4, 5 PCLKA | 2, 3 ICLK | GPTA |
| 000C 2106h | GPT0 | General PWM Timer Buffer Enable Register | GTBER | 16 | 16 | 4, 5 PCLKA | 2, 3 ICLK | GPTA |
| 000C 2108h | GPT0 | General PWM Timer Count Direction Register | GTUDC | 16 | 16 | 4, 5 PCLKA | 2, 3 ICLK | GPTA |
| 000C 210Ah | GPT0 | General PWM Timer Interrupt and A/D Converter Start Request Skipping Setting Register | GTITC | 16 | 16 | 4, 5 PCLKA | 2, 3 ICLK | GPTA |
| 000C 210Ch | GPT0 | General PWM Timer Status Register | GTST | 16 | 16 | 4, 5 PCLKA | 2, 3 ICLK | GPTA |
| 000C 210Eh | GPT0 | General PWM Timer Counter | GTCNT | 16 | 16 | 4, 5 PCLKA | 2, 3 ICLK | GPTA |
| 000C 2110h | GPT0 | General PWM Timer Compare Capture Register A | GTCCRA | 16 | 16 | 4, 5 PCLKA | 2, 3 ICLK | GPTA |
| 000C 2112h | GPT0 | General PWM Timer Compare Capture Register B | GTCCRB | 16 | 16 | 4, 5 PCLKA | 2, 3 ICLK | GPTA |
| 000C 2114h | GPT0 | General PWM Timer Compare Capture Register C | GTCCRC | 16 | 16 | 4, 5 PCLKA | 2, 3 ICLK | GPTA |
| 000C 2116h | GPT0 | General PWM Timer Compare Capture Register D | GTCCRD | 16 | 16 | 4, 5 PCLKA | 2, 3 ICLK | GPTA |
| 000C 2118h | GPT0 | General PWM Timer Compare Capture Register E | GTCCRE | 16 | 16 | 4, 5 PCLKA | 2, 3 ICLK | GPTA |
| 000C 211Ah | GPT0 | General PWM Timer Compare Capture Register F | GTCCRF | 16 | 16 | 4, 5 PCLKA | 2, 3 ICLK | GPTA |
| 000C 211Ch | GPT0 | General PWM Timer Cycle Setting Register | GTPR | 16 | 16 | 4, 5 PCLKA | 2, 3 ICLK | GPTA |
| 000C 211Eh | GPT0 | General PWM Timer Cycle Setting Buffer Register | GTPBR | 16 | 16 | 4, 5 PCLKA | 2, 3 ICLK | GPTA |
| 000C 2120h | GPT0 | General PWM Timer Cycle Setting Double-Buffer Register | GTPDBR | 16 | 16 | 4, 5 PCLKA | 2, 3 ICLK | GPTA |

Table 4.1 List of I/O Registers (Address Order) (53 / 67)

| Address | Module Symbol | Register Name | Register Symbol | Number of Bits | Access Size | Number of Access Cycles | | Related Function |
|------------|---------------|---|-----------------|----------------|-------------|-------------------------|-------------|------------------|
| | | | | | | ICLK ≥ PCLK | ICLK < PCLK | |
| 000C 2124h | GPT0 | A/D Converter Start Request Timing Register A | GTADTRA | 16 | 16 | 4, 5 PCLKA | 2, 3 ICLK | GPTA |
| 000C 2126h | GPT0 | A/D Converter Start Request Timing Buffer Register A | GTADTBRA | 16 | 16 | 4, 5 PCLKA | 2, 3 ICLK | GPTA |
| 000C 2128h | GPT0 | A/D Converter Start Request Timing Double-Buffer Register A | GTADTDBRA | 16 | 16 | 4, 5 PCLKA | 2, 3 ICLK | GPTA |
| 000C 212Ch | GPT0 | A/D Converter Start Request Timing Register B | GTADTRB | 16 | 16 | 4, 5 PCLKA | 2, 3 ICLK | GPTA |
| 000C 212Eh | GPT0 | A/D Converter Start Request Timing Buffer Register B | GTADTB RB | 16 | 16 | 4, 5 PCLKA | 2, 3 ICLK | GPTA |
| 000C 2130h | GPT0 | A/D Converter Start Request Timing Double-Buffer Register B | GTADTDBRB | 16 | 16 | 4, 5 PCLKA | 2, 3 ICLK | GPTA |
| 000C 2134h | GPT0 | General PWM Timer Output Negate Control Register | GTONCR | 16 | 16 | 4, 5 PCLKA | 2, 3 ICLK | GPTA |
| 000C 2136h | GPT0 | General PWM Timer Dead Time Control Register | GTDTCR | 16 | 16 | 4, 5 PCLKA | 2, 3 ICLK | GPTA |
| 000C 2138h | GPT0 | General PWM Timer Dead Time Value Register U | GTDVU | 16 | 16 | 4, 5 PCLKA | 2, 3 ICLK | GPTA |
| 000C 213Ah | GPT0 | General PWM Timer Dead Time Value Register D | GTDVD | 16 | 16 | 4, 5 PCLKA | 2, 3 ICLK | GPTA |
| 000C 213Ch | GPT0 | General PWM Timer Dead Time Buffer Register U | GTDBU | 16 | 16 | 4, 5 PCLKA | 2, 3 ICLK | GPTA |
| 000C 213Eh | GPT0 | General PWM Timer Dead Time Buffer Register D | GTDBD | 16 | 16 | 4, 5 PCLKA | 2, 3 ICLK | GPTA |
| 000C 2140h | GPT0 | General PWM Timer Output Protection Function Status Register | GTSOS | 16 | 16 | 4, 5 PCLKA | 2, 3 ICLK | GPTA |
| 000C 2142h | GPT0 | General PWM Timer Output Protection Function Temporary Release Register | GTSOTR | 16 | 16 | 4, 5 PCLKA | 2, 3 ICLK | GPTA |
| 000C 2180h | GPT1 | General PWM Timer I/O Control Register | GTIOR | 16 | 16 | 4, 5 PCLKA | 2, 3 ICLK | GPTA |
| 000C 2182h | GPT1 | General PWM Timer Interrupt Output Setting Register | GTINTAD | 16 | 16 | 4, 5 PCLKA | 2, 3 ICLK | GPTA |
| 000C 2184h | GPT1 | General PWM Timer Control Register | GTCR | 16 | 16 | 4, 5 PCLKA | 2, 3 ICLK | GPTA |
| 000C 2186h | GPT1 | General PWM Timer Buffer Enable Register | GTBER | 16 | 16 | 4, 5 PCLKA | 2, 3 ICLK | GPTA |
| 000C 2188h | GPT1 | General PWM Timer Count Direction Register | GTUDC | 16 | 16 | 4, 5 PCLKA | 2, 3 ICLK | GPTA |
| 000C 218Ah | GPT1 | General PWM Timer Interrupt and A/D Converter Start Request Skipping Setting Register | GTITC | 16 | 16 | 4, 5 PCLKA | 2, 3 ICLK | GPTA |
| 000C 218Ch | GPT1 | General PWM Timer Status Register | GTST | 16 | 16 | 4, 5 PCLKA | 2, 3 ICLK | GPTA |
| 000C 218Eh | GPT1 | General PWM Timer Counter | GTCNT | 16 | 16 | 4, 5 PCLKA | 2, 3 ICLK | GPTA |
| 000C 2190h | GPT1 | General PWM Timer Compare Capture Register A | GTCCRA | 16 | 16 | 4, 5 PCLKA | 2, 3 ICLK | GPTA |
| 000C 2192h | GPT1 | General PWM Timer Compare Capture Register B | GTCCRB | 16 | 16 | 4, 5 PCLKA | 2, 3 ICLK | GPTA |
| 000C 2194h | GPT1 | General PWM Timer Compare Capture Register C | GTCCRC | 16 | 16 | 4, 5 PCLKA | 2, 3 ICLK | GPTA |
| 000C 2196h | GPT1 | General PWM Timer Compare Capture Register D | GTCCRD | 16 | 16 | 4, 5 PCLKA | 2, 3 ICLK | GPTA |
| 000C 2198h | GPT1 | General PWM Timer Compare Capture Register E | GTCCRE | 16 | 16 | 4, 5 PCLKA | 2, 3 ICLK | GPTA |
| 000C 219Ah | GPT1 | General PWM Timer Compare Capture Register F | GTCCRF | 16 | 16 | 4, 5 PCLKA | 2, 3 ICLK | GPTA |
| 000C 219Ch | GPT1 | General PWM Timer Cycle Setting Register | GTPR | 16 | 16 | 4, 5 PCLKA | 2, 3 ICLK | GPTA |
| 000C 219Eh | GPT1 | General PWM Timer Cycle Setting Buffer Register | GTPBR | 16 | 16 | 4, 5 PCLKA | 2, 3 ICLK | GPTA |
| 000C 21A0h | GPT1 | General PWM Timer Cycle Setting Double-Buffer Register | GTPDBR | 16 | 16 | 4, 5 PCLKA | 2, 3 ICLK | GPTA |
| 000C 21A4h | GPT1 | A/D Converter Start Request Timing Register A | GTADTRA | 16 | 16 | 4, 5 PCLKA | 2, 3 ICLK | GPTA |
| 000C 21A6h | GPT1 | A/D Converter Start Request Timing Buffer Register A | GTADTBRA | 16 | 16 | 4, 5 PCLKA | 2, 3 ICLK | GPTA |
| 000C 21A8h | GPT1 | A/D Converter Start Request Timing Double-Buffer Register A | GTADTDBRA | 16 | 16 | 4, 5 PCLKA | 2, 3 ICLK | GPTA |
| 000C 21ACh | GPT1 | A/D Converter Start Request Timing Register B | GTADTRB | 16 | 16 | 4, 5 PCLKA | 2, 3 ICLK | GPTA |
| 000C 21AEh | GPT1 | A/D Converter Start Request Timing Buffer Register B | GTADTB RB | 16 | 16 | 4, 5 PCLKA | 2, 3 ICLK | GPTA |
| 000C 21B0h | GPT1 | A/D Converter Start Request Timing Double-Buffer Register B | GTADTDBRB | 16 | 16 | 4, 5 PCLKA | 2, 3 ICLK | GPTA |
| 000C 21B4h | GPT1 | General PWM Timer Output Negate Control Register | GTONCR | 16 | 16 | 4, 5 PCLKA | 2, 3 ICLK | GPTA |
| 000C 21B6h | GPT1 | General PWM Timer Dead Time Control Register | GTDTCR | 16 | 16 | 4, 5 PCLKA | 2, 3 ICLK | GPTA |
| 000C 21B8h | GPT1 | General PWM Timer Dead Time Value Register U | GTDVU | 16 | 16 | 4, 5 PCLKA | 2, 3 ICLK | GPTA |
| 000C 21BAh | GPT1 | General PWM Timer Dead Time Value Register D | GTDVD | 16 | 16 | 4, 5 PCLKA | 2, 3 ICLK | GPTA |
| 000C 21BCh | GPT1 | General PWM Timer Dead Time Buffer Register U | GTDBU | 16 | 16 | 4, 5 PCLKA | 2, 3 ICLK | GPTA |
| 000C 21BEh | GPT1 | General PWM Timer Dead Time Buffer Register D | GTDBD | 16 | 16 | 4, 5 PCLKA | 2, 3 ICLK | GPTA |
| 000C 21C0h | GPT1 | General PWM Timer Output Protection Function Status Register | GTSOS | 16 | 16 | 4, 5 PCLKA | 2, 3 ICLK | GPTA |

Table 4.1 List of I/O Registers (Address Order) (54 / 67)

| Address | Module Symbol | Register Name | Register Symbol | Number of Bits | Access Size | Number of Access Cycles | | Related Function |
|------------|---------------|---|-----------------|----------------|-------------|-------------------------|-------------|------------------|
| | | | | | | ICLK ≥ PCLK | ICLK < PCLK | |
| 000C 21C2h | GPT1 | General PWM Timer Output Protection Function Temporary Release Register | GTSOTR | 16 | 16 | 4, 5 PCLKA | 2, 3 ICLK | GPTA |
| 000C 2200h | GPT2 | General PWM Timer I/O Control Register | GTIOR | 16 | 16 | 4, 5 PCLKA | 2, 3 ICLK | GPTA |
| 000C 2202h | GPT2 | General PWM Timer Interrupt Output Setting Register | GTINTAD | 16 | 16 | 4, 5 PCLKA | 2, 3 ICLK | GPTA |
| 000C 2204h | GPT2 | General PWM Timer Control Register | GTCR | 16 | 16 | 4, 5 PCLKA | 2, 3 ICLK | GPTA |
| 000C 2206h | GPT2 | General PWM Timer Buffer Enable Register | GTBER | 16 | 16 | 4, 5 PCLKA | 2, 3 ICLK | GPTA |
| 000C 2208h | GPT2 | General PWM Timer Count Direction Register | GTUDC | 16 | 16 | 4, 5 PCLKA | 2, 3 ICLK | GPTA |
| 000C 220Ah | GPT2 | General PWM Timer Interrupt and A/D Converter Start Request Skipping Setting Register | GTITC | 16 | 16 | 4, 5 PCLKA | 2, 3 ICLK | GPTA |
| 000C 220Ch | GPT2 | General PWM Timer Status Register | GTST | 16 | 16 | 4, 5 PCLKA | 2, 3 ICLK | GPTA |
| 000C 220Eh | GPT2 | General PWM Timer Counter | GTCNT | 16 | 16 | 4, 5 PCLKA | 2, 3 ICLK | GPTA |
| 000C 2210h | GPT2 | General PWM Timer Compare Capture Register A | GTCCRA | 16 | 16 | 4, 5 PCLKA | 2, 3 ICLK | GPTA |
| 000C 2212h | GPT2 | General PWM Timer Compare Capture Register B | GTCCRB | 16 | 16 | 4, 5 PCLKA | 2, 3 ICLK | GPTA |
| 000C 2214h | GPT2 | General PWM Timer Compare Capture Register C | GTCCRC | 16 | 16 | 4, 5 PCLKA | 2, 3 ICLK | GPTA |
| 000C 2216h | GPT2 | General PWM Timer Compare Capture Register D | GTCCRD | 16 | 16 | 4, 5 PCLKA | 2, 3 ICLK | GPTA |
| 000C 2218h | GPT2 | General PWM Timer Compare Capture Register E | GTCCRE | 16 | 16 | 4, 5 PCLKA | 2, 3 ICLK | GPTA |
| 000C 221Ah | GPT2 | General PWM Timer Compare Capture Register F | GTCCRF | 16 | 16 | 4, 5 PCLKA | 2, 3 ICLK | GPTA |
| 000C 221Ch | GPT2 | General PWM Timer Cycle Setting Register | GTPR | 16 | 16 | 4, 5 PCLKA | 2, 3 ICLK | GPTA |
| 000C 221Eh | GPT2 | General PWM Timer Cycle Setting Buffer Register | GTPBR | 16 | 16 | 4, 5 PCLKA | 2, 3 ICLK | GPTA |
| 000C 2220h | GPT2 | General PWM Timer Cycle Setting Double-Buffer Register | GTPDBR | 16 | 16 | 4, 5 PCLKA | 2, 3 ICLK | GPTA |
| 000C 2224h | GPT2 | A/D Converter Start Request Timing Register A | GTADTRA | 16 | 16 | 4, 5 PCLKA | 2, 3 ICLK | GPTA |
| 000C 2226h | GPT2 | A/D Converter Start Request Timing Buffer Register A | GTADTBRA | 16 | 16 | 4, 5 PCLKA | 2, 3 ICLK | GPTA |
| 000C 2228h | GPT2 | A/D Converter Start Request Timing Double-Buffer Register A | GTADTDBRA | 16 | 16 | 4, 5 PCLKA | 2, 3 ICLK | GPTA |
| 000C 222Ch | GPT2 | A/D Converter Start Request Timing Register B | GTADTRB | 16 | 16 | 4, 5 PCLKA | 2, 3 ICLK | GPTA |
| 000C 222Eh | GPT2 | A/D Converter Start Request Timing Buffer Register B | GTADTBRB | 16 | 16 | 4, 5 PCLKA | 2, 3 ICLK | GPTA |
| 000C 2230h | GPT2 | A/D Converter Start Request Timing Double-Buffer Register B | GTADTDBRB | 16 | 16 | 4, 5 PCLKA | 2, 3 ICLK | GPTA |
| 000C 2234h | GPT2 | General PWM Timer Output Negate Control Register | GTONCR | 16 | 16 | 4, 5 PCLKA | 2, 3 ICLK | GPTA |
| 000C 2236h | GPT2 | General PWM Timer Dead Time Control Register | GTDTCR | 16 | 16 | 4, 5 PCLKA | 2, 3 ICLK | GPTA |
| 000C 2238h | GPT2 | General PWM Timer Dead Time Value Register U | GTDVU | 16 | 16 | 4, 5 PCLKA | 2, 3 ICLK | GPTA |
| 000C 223Ah | GPT2 | General PWM Timer Dead Time Value Register D | GTDVD | 16 | 16 | 4, 5 PCLKA | 2, 3 ICLK | GPTA |
| 000C 223Ch | GPT2 | General PWM Timer Dead Time Buffer Register U | GTDBU | 16 | 16 | 4, 5 PCLKA | 2, 3 ICLK | GPTA |
| 000C 223Eh | GPT2 | General PWM Timer Dead Time Buffer Register D | GTDBD | 16 | 16 | 4, 5 PCLKA | 2, 3 ICLK | GPTA |
| 000C 2240h | GPT2 | General PWM Timer Output Protection Function Status Register | GTSOS | 16 | 16 | 4, 5 PCLKA | 2, 3 ICLK | GPTA |
| 000C 2242h | GPT2 | General PWM Timer Output Protection Function Temporary Release Register | GTSOTR | 16 | 16 | 4, 5 PCLKA | 2, 3 ICLK | GPTA |
| 000C 2280h | GPT3 | General PWM Timer I/O Control Register | GTIOR | 16 | 16 | 4, 5 PCLKA | 2, 3 ICLK | GPTA |
| 000C 2282h | GPT3 | General PWM Timer Interrupt Output Setting Register | GTINTAD | 16 | 16 | 4, 5 PCLKA | 2, 3 ICLK | GPTA |
| 000C 2284h | GPT3 | General PWM Timer Control Register | GTCR | 16 | 16 | 4, 5 PCLKA | 2, 3 ICLK | GPTA |
| 000C 2286h | GPT3 | General PWM Timer Buffer Enable Register | GTBER | 16 | 16 | 4, 5 PCLKA | 2, 3 ICLK | GPTA |
| 000C 2288h | GPT3 | General PWM Timer Count Direction Register | GTUDC | 16 | 16 | 4, 5 PCLKA | 2, 3 ICLK | GPTA |
| 000C 228Ah | GPT3 | General PWM Timer Interrupt and A/D Converter Start Request Skipping Setting Register | GTITC | 16 | 16 | 4, 5 PCLKA | 2, 3 ICLK | GPTA |
| 000C 228Ch | GPT3 | General PWM Timer Status Register | GTST | 16 | 16 | 4, 5 PCLKA | 2, 3 ICLK | GPTA |
| 000C 228Eh | GPT3 | General PWM Timer Counter | GTCNT | 16 | 16 | 4, 5 PCLKA | 2, 3 ICLK | GPTA |
| 000C 2290h | GPT3 | General PWM Timer Compare Capture Register A | GTCCRA | 16 | 16 | 4, 5 PCLKA | 2, 3 ICLK | GPTA |
| 000C 2292h | GPT3 | General PWM Timer Compare Capture Register B | GTCCRB | 16 | 16 | 4, 5 PCLKA | 2, 3 ICLK | GPTA |
| 000C 2294h | GPT3 | General PWM Timer Compare Capture Register C | GTCCRC | 16 | 16 | 4, 5 PCLKA | 2, 3 ICLK | GPTA |
| 000C 2296h | GPT3 | General PWM Timer Compare Capture Register D | GTCCRD | 16 | 16 | 4, 5 PCLKA | 2, 3 ICLK | GPTA |
| 000C 2298h | GPT3 | General PWM Timer Compare Capture Register E | GTCCRE | 16 | 16 | 4, 5 PCLKA | 2, 3 ICLK | GPTA |

Table 4.1 List of I/O Registers (Address Order) (55 / 67)

| Address | Module Symbol | Register Name | Register Symbol | Number of Bits | Access Size | Number of Access Cycles | | Related Function |
|------------|---------------|---|-----------------|----------------|-------------|-------------------------|--------------|------------------|
| | | | | | | ICLK ≥ PCLK | ICLK < PCLK | |
| 000C 229Ah | GPT3 | General PWM Timer Compare Capture Register F | GTCCRF | 16 | 16 | 4, 5 PCLK | 2, 3 ICLK | GPTA |
| 000C 229Ch | GPT3 | General PWM Timer Cycle Setting Register | GTPR | 16 | 16 | 4, 5 PCLK | 2, 3 ICLK | GPTA |
| 000C 229Eh | GPT3 | General PWM Timer Cycle Setting Buffer Register | GTPBR | 16 | 16 | 4, 5 PCLK | 2, 3 ICLK | GPTA |
| 000C 22A0h | GPT3 | General PWM Timer Cycle Setting Double-Buffer Register | GTPDBR | 16 | 16 | 4, 5 PCLK | 2, 3 ICLK | GPTA |
| 000C 22A4h | GPT3 | A/D Converter Start Request Timing Register A | GTADTRA | 16 | 16 | 4, 5 PCLK | 2, 3 ICLK | GPTA |
| 000C 22A6h | GPT3 | A/D Converter Start Request Timing Buffer Register A | GTADTBRA | 16 | 16 | 4, 5 PCLK | 2, 3 ICLK | GPTA |
| 000C 22A8h | GPT3 | A/D Converter Start Request Timing Double-Buffer Register A | GTADTDBRA | 16 | 16 | 4, 5 PCLK | 2, 3 ICLK | GPTA |
| 000C 22ACh | GPT3 | A/D Converter Start Request Timing Register B | GTADTRB | 16 | 16 | 4, 5 PCLK | 2, 3 ICLK | GPTA |
| 000C 22AEh | GPT3 | A/D Converter Start Request Timing Buffer Register B | GTADTBRB | 16 | 16 | 4, 5 PCLK | 2, 3 ICLK | GPTA |
| 000C 22B0h | GPT3 | A/D Converter Start Request Timing Double-Buffer Register B | GTADTDBRB | 16 | 16 | 4, 5 PCLK | 2, 3 ICLK | GPTA |
| 000C 22B4h | GPT3 | General PWM Timer Output Negate Control Register | GTONCR | 16 | 16 | 4, 5 PCLK | 2, 3 ICLK | GPTA |
| 000C 22B6h | GPT3 | General PWM Timer Dead Time Control Register | GTDTCR | 16 | 16 | 4, 5 PCLK | 2, 3 ICLK | GPTA |
| 000C 22B8h | GPT3 | General PWM Timer Dead Time Value Register U | GTDVU | 16 | 16 | 4, 5 PCLK | 2, 3 ICLK | GPTA |
| 000C 22BAh | GPT3 | General PWM Timer Dead Time Value Register D | GTDVD | 16 | 16 | 4, 5 PCLK | 2, 3 ICLK | GPTA |
| 000C 22BCh | GPT3 | General PWM Timer Dead Time Buffer Register U | GTDBU | 16 | 16 | 4, 5 PCLK | 2, 3 ICLK | GPTA |
| 000C 22BEh | GPT3 | General PWM Timer Dead Time Buffer Register D | GTDBD | 16 | 16 | 4, 5 PCLK | 2, 3 ICLK | GPTA |
| 000C 22C0h | GPT3 | General PWM Timer Output Protection Function Status Register | GTSOS | 16 | 16 | 4, 5 PCLK | 2, 3 ICLK | GPTA |
| 000C 22C2h | GPT3 | General PWM Timer Output Protection Function Temporary Release Register | GTSOTR | 16 | 16 | 4, 5 PCLK | 2, 3 ICLK | GPTA |
| 000C 4000h | EPTPC | MINT Interrupt Source Status Register | MIESR | 32 | 32 | 5, 6 PCLK | 2, 3 ICLK | EPTPC |
| 000C 4004h | EPTPC | MINT Interrupt Request Permission Register | MIEIPR | 32 | 32 | 5, 6 PCLK | 2, 3 ICLK | EPTPC |
| 000C 4010h | EPTPC | ELC Output/IPLS Interrupt Request Permission Register | ELIPPR | 32 | 32 | 5, 6 PCLK | 2, 3 ICLK | EPTPC |
| 000C 4014h | EPTPC | ELC Output/IPLS Interrupt Permission Automatic Clearing Register | ELIPACR | 32 | 32 | 5, 6 PCLK | 2, 3 ICLK | EPTPC |
| 000C 4040h | EPTPC | STCA Status Register | STSR | 32 | 32 | 8 to 43 PCLK | 2 to 22 ICLK | EPTPC |
| 000C 4044h | EPTPC | STCA Status Notification Permission Register | STIPR | 32 | 32 | 8 to 43 PCLK | 2 to 22 ICLK | EPTPC |
| 000C 4050h | EPTPC | STCA Clock Frequency Setting Register | STCFR | 32 | 32 | 8 to 43 PCLK | 2 to 22 ICLK | EPTPC |
| 000C 4054h | EPTPC | STCA Operating Mode Register | STMR | 32 | 32 | 8 to 43 PCLK | 2 to 22 ICLK | EPTPC |
| 000C 4058h | EPTPC | Sync Message Reception Timeout Register | SYNTOR | 32 | 32 | 8 to 43 PCLK | 2 to 22 ICLK | EPTPC |
| 000C 4060h | EPTPC | IPLS Interrupt Request Timer Select Register | IPTSELR | 32 | 32 | 8 to 43 PCLK | 2 to 22 ICLK | EPTPC |
| 000C 4064h | EPTPC | MINT Interrupt Request Timer Select Register | MITSELR | 32 | 32 | 8 to 43 PCLK | 2 to 22 ICLK | EPTPC |
| 000C 4068h | EPTPC | ELC Output Timer Select Register | ELTSELR | 32 | 32 | 8 to 43 PCLK | 2 to 22 ICLK | EPTPC |
| 000C 406Ch | EPTPC | Time Synchronization Channel Select Register | STCHSELR | 32 | 32 | 8 to 43 PCLK | 2 to 22 ICLK | EPTPC |
| 000C 4080h | EPTPC | Slave Time Synchronization Start Register | SYNSTARTR | 32 | 32 | 8 to 43 PCLK | 2 to 22 ICLK | EPTPC |
| 000C 4084h | EPTPC | Local Time Counter Initial Value Load Directive Register | LCIVLDR | 32 | 32 | 8 to 43 PCLK | 2 to 22 ICLK | EPTPC |
| 000C 4090h | EPTPC | Synchronization Loss Detection Threshold Register | SYNTDARU | 32 | 32 | 8 to 43 PCLK | 2 to 22 ICLK | EPTPC |
| 000C 4094h | EPTPC | Synchronization Loss Detection Threshold Register | SYNTDARL | 32 | 32 | 8 to 43 PCLK | 2 to 22 ICLK | EPTPC |
| 000C 4098h | EPTPC | Synchronization Detection Threshold Register | SYNTDBRU | 32 | 32 | 8 to 43 PCLK | 2 to 22 ICLK | EPTPC |
| 000C 409Ch | EPTPC | Synchronization Detection Threshold Register | SYNTDBRL | 32 | 32 | 8 to 43 PCLK | 2 to 22 ICLK | EPTPC |
| 000C 40B0h | EPTPC | Local Time Counter Initial Value Register | LCIVRU | 32 | 32 | 8 to 43 PCLK | 2 to 22 ICLK | EPTPC |
| 000C 40B4h | EPTPC | Local Time Counter Initial Value Register | LCIVRM | 32 | 32 | 8 to 43 PCLK | 2 to 22 ICLK | EPTPC |
| 000C 40B8h | EPTPC | Local Time Counter Initial Value Register | LCIVRL | 32 | 32 | 8 to 43 PCLK | 2 to 22 ICLK | EPTPC |
| 000C 4124h | EPTPC | Worst 10 Acquisition Directive Register | GETW10R | 32 | 32 | 8 to 43 PCLK | 2 to 22 ICLK | EPTPC |
| 000C 4128h | EPTPC | Positive Gradient Limit Register | PLIMITRU | 32 | 32 | 8 to 43 PCLK | 2 to 22 ICLK | EPTPC |
| 000C 412Ch | EPTPC | Positive Gradient Limit Register | PLIMITRM | 32 | 32 | 8 to 43 PCLK | 2 to 22 ICLK | EPTPC |
| 000C 4130h | EPTPC | Positive Gradient Limit Register | PLIMITRL | 32 | 32 | 8 to 43 PCLK | 2 to 22 ICLK | EPTPC |
| 000C 4134h | EPTPC | Negative Gradient Limit Register | MLIMITRU | 32 | 32 | 8 to 43 PCLK | 2 to 22 ICLK | EPTPC |

Table 4.1 List of I/O Registers (Address Order) (56 / 67)

| Address | Module Symbol | Register Name | Register Symbol | Number of Bits | Access Size | Number of Access Cycles | | Related Function |
|------------|---------------|--|-----------------|----------------|-------------|-------------------------|---------------|------------------|
| | | | | | | ICLK ≥ PCLK | ICLK < PCLK | |
| 000C 4138h | EPTPC | Negative Gradient Limit Register | MLIMITRM | 32 | 32 | 8 to 43 PCLKA | 2 to 22 ICLK | EPTPC |
| 000C 413Ch | EPTPC | Negative Gradient Limit Register | MLIMITRL | 32 | 32 | 8 to 43 PCLKA | 2 to 22 ICLK | EPTPC |
| 000C 4140h | EPTPC | Statistical Information Retention Control Register | GETINFOR | 32 | 32 | 8 to 43 PCLKA | 2 to 22 ICLK | EPTPC |
| 000C 4170h | EPTPC | Local Time Counter | LCCVRU | 32 | 32 | 8 to 43 PCLKA | 2 to 22 ICLK | EPTPC |
| 000C 4174h | EPTPC | Local Time Counter | LCCVRM | 32 | 32 | 8 to 43 PCLKA | 2 to 22 ICLK | EPTPC |
| 000C 4178h | EPTPC | Local Time Counter | LCCVRL | 32 | 32 | 8 to 43 PCLKA | 2 to 22 ICLK | EPTPC |
| 000C 4210h | EPTPC | Positive Gradient Worst 10 Value Register | PW10VRU | 32 | 32 | 8 to 43 PCLKA | 2 to 22 ICLK | EPTPC |
| 000C 4214h | EPTPC | Positive Gradient Worst 10 Value Register | PW10VRM | 32 | 32 | 8 to 43 PCLKA | 2 to 22 ICLK | EPTPC |
| 000C 4218h | EPTPC | Positive Gradient Worst 10 Value Register | PW10VRL | 32 | 32 | 8 to 43 PCLKA | 2 to 22 ICLK | EPTPC |
| 000C 42D0h | EPTPC | Negative Gradient Worst 10 Value Register | MW10RU | 32 | 32 | 8 to 43 PCLKA | 2 to 22 ICLK | EPTPC |
| 000C 42D4h | EPTPC | Negative Gradient Worst 10 Value Register | MW10RM | 32 | 32 | 8 to 43 PCLKA | 2 to 22 ICLK | EPTPC |
| 000C 42D8h | EPTPC | Negative Gradient Worst 10 Value Register | MW10RL | 32 | 32 | 8 to 43 PCLKA | 2 to 22 ICLK | EPTPC |
| 000C 4300h | EPTPC | Timer Start Time Setting Register | TMSTTRU0 | 32 | 32 | 8 to 43 PCLKA | 2 to 22 ICLK | EPTPC |
| 000C 4304h | EPTPC | Timer Start Time Setting Register | TMSTTRL0 | 32 | 32 | 8 to 43 PCLKA | 2 to 22 ICLK | EPTPC |
| 000C 4308h | EPTPC | Timer Cycle Setting Register 0 | TMCYCR0 | 32 | 32 | 8 to 43 PCLKA | 2 to 22 ICLK | EPTPC |
| 000C 430Ch | EPTPC | Timer Pulse Width Setting Register 0 | TMPLSR0 | 32 | 32 | 8 to 43 PCLKA | 2 to 22 ICLK | EPTPC |
| 000C 4310h | EPTPC | Timer Start Time Setting Register | TMSTTRU1 | 32 | 32 | 8 to 43 PCLKA | 2 to 22 ICLK | EPTPC |
| 000C 4314h | EPTPC | Timer Start Time Setting Register | TMSTTRL1 | 32 | 32 | 8 to 43 PCLKA | 2 to 22 ICLK | EPTPC |
| 000C 4318h | EPTPC | Timer Cycle Setting Register 1 | TMCYCR1 | 32 | 32 | 8 to 43 PCLKA | 2 to 22 ICLK | EPTPC |
| 000C 431Ch | EPTPC | Timer Pulse Width Setting Register 1 | TMPLSR1 | 32 | 32 | 8 to 43 PCLKA | 2 to 22 ICLK | EPTPC |
| 000C 4320h | EPTPC | Timer Start Time Setting Register | TMSTTRU2 | 32 | 32 | 8 to 43 PCLKA | 2 to 22 ICLK | EPTPC |
| 000C 4324h | EPTPC | Timer Start Time Setting Register | TMSTTRL2 | 32 | 32 | 8 to 43 PCLKA | 2 to 22 ICLK | EPTPC |
| 000C 4328h | EPTPC | Timer Cycle Setting Register 2 | TMCYCR2 | 32 | 32 | 8 to 43 PCLKA | 2 to 22 ICLK | EPTPC |
| 000C 432Ch | EPTPC | Timer Pulse Width Setting Register 2 | TMPLSR2 | 32 | 32 | 8 to 43 PCLKA | 2 to 22 ICLK | EPTPC |
| 000C 4330h | EPTPC | Timer Start Time Setting Register | TMSTTRU3 | 32 | 32 | 8 to 43 PCLKA | 2 to 22 ICLK | EPTPC |
| 000C 4334h | EPTPC | Timer Start Time Setting Register | TMSTTRL3 | 32 | 32 | 8 to 43 PCLKA | 2 to 22 ICLK | EPTPC |
| 000C 4338h | EPTPC | Timer Cycle Setting Register 3 | TMCYCR3 | 32 | 32 | 8 to 43 PCLKA | 2 to 22 ICLK | EPTPC |
| 000C 433Ch | EPTPC | Timer Pulse Width Setting Register 3 | TMPLSR3 | 32 | 32 | 8 to 43 PCLKA | 2 to 22 ICLK | EPTPC |
| 000C 4340h | EPTPC | Timer Start Time Setting Register | TMSTTRU4 | 32 | 32 | 8 to 43 PCLKA | 2 to 22 ICLK | EPTPC |
| 000C 4344h | EPTPC | Timer Start Time Setting Register | TMSTTRL4 | 32 | 32 | 8 to 43 PCLKA | 2 to 22 ICLK | EPTPC |
| 000C 4348h | EPTPC | Timer Cycle Setting Register 4 | TMCYCR4 | 32 | 32 | 8 to 43 PCLKA | 2 to 22 ICLK | EPTPC |
| 000C 434Ch | EPTPC | Timer Pulse Width Setting Register 4 | TMPLSR4 | 32 | 32 | 8 to 43 PCLKA | 2 to 22 ICLK | EPTPC |
| 000C 4350h | EPTPC | Timer Start Time Setting Register | TMSTTRU5 | 32 | 32 | 8 to 43 PCLKA | 2 to 22 ICLK | EPTPC |
| 000C 4354h | EPTPC | Timer Start Time Setting Register | TMSTTRL5 | 32 | 32 | 8 to 43 PCLKA | 2 to 22 ICLK | EPTPC |
| 000C 4358h | EPTPC | Timer Cycle Setting Register 5 | TMCYCR5 | 32 | 32 | 8 to 43 PCLKA | 2 to 22 ICLK | EPTPC |
| 000C 435Ch | EPTPC | Timer Pulse Width Setting Register 5 | TMPLSR5 | 32 | 32 | 8 to 43 PCLKA | 2 to 22 ICLK | EPTPC |
| 000C 437Ch | EPTPC | Timer Start Register | TMSTARTR | 32 | 32 | 8 to 43 PCLKA | 2 to 22 ICLK | EPTPC |
| 000C 4400h | EPTPC | PRC-TC Status Register | PRSR | 32 | 32 | 9, 10 PCLKA | 2 to 5 ICLK | EPTPC |
| 000C 4404h | EPTPC | PRC-TC Status Notification Permission Register | PRIPR | 32 | 32 | 9, 10 PCLKA | 2 to 5 ICLK | EPTPC |
| 000C 4410h | EPTPC | Channel 0 Local MAC Address Register | PRMACRU0 | 32 | 32 | 9, 10 PCLKA | 2 to 5 ICLK | EPTPC |
| 000C 4414h | EPTPC | Channel 0 Local MAC Address Register | PRMACRL0 | 32 | 32 | 9, 10 PCLKA | 2 to 5 ICLK | EPTPC |
| 000C 4418h | EPTPC | Channel 1 Local MAC Address Register | PRMACRU1 | 32 | 32 | 9, 10 PCLKA | 2 to 5 ICLK | EPTPC |
| 000C 441Ch | EPTPC | Channel 1 Local MAC Address Register | PRMACRL1 | 32 | 32 | 9, 10 PCLKA | 2 to 5 ICLK | EPTPC |
| 000C 4420h | EPTPC | Packet Transmission Control Register | TRNDISR | 32 | 32 | 9, 10 PCLKA | 2 to 5 ICLK | EPTPC |
| 000C 4430h | EPTPC | Relay Mode Register | TRNMR | 32 | 32 | 9, 10 PCLKA | 2 to 5 ICLK | EPTPC |
| 000C 4434h | EPTPC | Cut-Through Transfer Start Threshold Register | TRNCTDR | 32 | 32 | 9, 10 PCLKA | 2 to 5 ICLK | EPTPC |
| 000C 4800h | EPTPC 0 | SYNFP Status Register | SYSR | 32 | 32 | 9 to 211 PCLKA | 2 to 106 ICLK | EPTPC |
| 000C 4804h | EPTPC 0 | SYNFP Status Notification Permission Register | SYIPR | 32 | 32 | 9 to 211 PCLKA | 2 to 106 ICLK | EPTPC |

Table 4.1 List of I/O Registers (Address Order) (57 / 67)

| Address | Module Symbol | Register Name | Register Symbol | Number of Bits | Access Size | Number of Access Cycles | | Related Function |
|------------|---------------|---|-----------------|----------------|-------------|-------------------------|---------------|------------------|
| | | | | | | ICLK \geq PCLKA | ICLK < PCLKA | |
| 000C 4810h | EPTPC 0 | SYNFP MAC Address Register | SYMACRU | 32 | 32 | 9 to 211 PCLKA | 2 to 106 ICLK | EPTPC |
| 000C 4814h | EPTPC 0 | SYNFP MAC Address Register | SYMACRL | 32 | 32 | 9 to 211 PCLKA | 2 to 106 ICLK | EPTPC |
| 000C 481Ch | EPTPC 0 | SYNFP Local IP Address Register | SYIPADDRR | 32 | 32 | 9 to 211 PCLKA | 2 to 106 ICLK | EPTPC |
| 000C 4840h | EPTPC 0 | SYNFP Specification Version Setting Register | SYSPVRR | 32 | 32 | 9 to 211 PCLKA | 2 to 106 ICLK | EPTPC |
| 000C 4844h | EPTPC 0 | SYNFP Domain Number Setting Register | SYDOMR | 32 | 32 | 9 to 211 PCLKA | 2 to 106 ICLK | EPTPC |
| 000C 4850h | EPTPC 0 | Announce Message Flag Field Setting Register | ANFR | 32 | 32 | 9 to 211 PCLKA | 2 to 106 ICLK | EPTPC |
| 000C 4854h | EPTPC 0 | Sync Message Flag Field Setting Register | SYNFR | 32 | 32 | 9 to 211 PCLKA | 2 to 106 ICLK | EPTPC |
| 000C 4858h | EPTPC 0 | Delay_Req Message Flag Field Setting Register | DYRQFR | 32 | 32 | 9 to 211 PCLKA | 2 to 106 ICLK | EPTPC |
| 000C 485Ch | EPTPC 0 | Delay_Resp Message Flag Field Setting Register | DYRPFRR | 32 | 32 | 9 to 211 PCLKA | 2 to 106 ICLK | EPTPC |
| 000C 4860h | EPTPC 0 | SYNFP Local Clock ID Registers | SYCIDRU | 32 | 32 | 9 to 211 PCLKA | 2 to 106 ICLK | EPTPC |
| 000C 4864h | EPTPC 0 | SYNFP Local Clock ID Registers | SYCIDRL | 32 | 32 | 9 to 211 PCLKA | 2 to 106 ICLK | EPTPC |
| 000C 4868h | EPTPC 0 | SYNFP Local Port Number Register | SYPNUMR | 32 | 32 | 9 to 211 PCLKA | 2 to 106 ICLK | EPTPC |
| 000C 4880h | EPTPC 0 | SYNFP Register Value Load Directive Register | SYRVLDR | 32 | 32 | 9 to 211 PCLKA | 2 to 106 ICLK | EPTPC |
| 000C 4890h | EPTPC 0 | SYNFP Reception Filter Register 1 | SYRFL1R | 32 | 32 | 9 to 211 PCLKA | 2 to 106 ICLK | EPTPC |
| 000C 4894h | EPTPC 0 | SYNFP Reception Filter Register 2 | SYRFL2R | 32 | 32 | 9 to 211 PCLKA | 2 to 106 ICLK | EPTPC |
| 000C 4898h | EPTPC 0 | SYNFP Transmission Enable Register | SYTRENR | 32 | 32 | 9 to 211 PCLKA | 2 to 106 ICLK | EPTPC |
| 000C 48A0h | EPTPC 0 | Master Clock ID Register | MTCIDU | 32 | 32 | 9 to 211 PCLKA | 2 to 106 ICLK | EPTPC |
| 000C 48A4h | EPTPC 0 | Master Clock ID Register | MTCIDL | 32 | 32 | 9 to 211 PCLKA | 2 to 106 ICLK | EPTPC |
| 000C 48A8h | EPTPC 0 | Master Clock Port Number Register | MTPID | 32 | 32 | 9 to 211 PCLKA | 2 to 106 ICLK | EPTPC |
| 000C 48C0h | EPTPC 0 | SYNFP Transmission Interval Setting Register | SYTLIR | 32 | 32 | 9 to 211 PCLKA | 2 to 106 ICLK | EPTPC |
| 000C 48C4h | EPTPC 0 | SYNFP Received logMessageInterval Value Indication Register | SYRLIR | 32 | 32 | 9 to 211 PCLKA | 2 to 106 ICLK | EPTPC |
| 000C 48C8h | EPTPC 0 | offsetFromMaster Value Register | OFMRU | 32 | 32 | 9 to 211 PCLKA | 2 to 106 ICLK | EPTPC |
| 000C 48CCh | EPTPC 0 | offsetFromMaster Value Register | OFMRL | 32 | 32 | 9 to 211 PCLKA | 2 to 106 ICLK | EPTPC |
| 000C 48D0h | EPTPC 0 | meanPathDelay Value Register | MPDRU | 32 | 32 | 9 to 211 PCLKA | 2 to 106 ICLK | EPTPC |
| 000C 48D4h | EPTPC 0 | meanPathDelay Value Register | MPDRL | 32 | 32 | 9 to 211 PCLKA | 2 to 106 ICLK | EPTPC |
| 000C 48E0h | EPTPC 0 | grandmasterPriority Field Setting Register | GMPR | 32 | 32 | 9 to 211 PCLKA | 2 to 106 ICLK | EPTPC |
| 000C 48E4h | EPTPC 0 | grandmasterClockQuality Field Setting Register | GMCQR | 32 | 32 | 9 to 211 PCLKA | 2 to 106 ICLK | EPTPC |
| 000C 48E8h | EPTPC 0 | grandmasterIdentity Field Setting Registers | GMIDRU | 32 | 32 | 9 to 211 PCLKA | 2 to 106 ICLK | EPTPC |
| 000C 48ECh | EPTPC 0 | grandmasterIdentity Field Setting Registers | GMIDRL | 32 | 32 | 9 to 211 PCLKA | 2 to 106 ICLK | EPTPC |
| 000C 48F0h | EPTPC 0 | currentUtcOffset/timeSource Field Setting Register | CUOTSR | 32 | 32 | 9 to 211 PCLKA | 2 to 106 ICLK | EPTPC |
| 000C 48F4h | EPTPC 0 | stepsRemoved Field Setting Register | SRR | 32 | 32 | 9 to 211 PCLKA | 2 to 106 ICLK | EPTPC |

Table 4.1 List of I/O Registers (Address Order) (58 / 67)

| Address | Module Symbol | Register Name | Register Symbol | Number of Bits | Access Size | Number of Access Cycles | | Related Function |
|-------------|---------------|--|-----------------|----------------|-------------|-------------------------|---------------|------------------|
| | | | | | | ICLK \geq PCLK | ICLK < PCLK | |
| 000C 4900h | EPTPC 0 | PTP-primary Message Destination MAC Address Setting Registers | PPMACRU | 32 | 32 | 9 to 211 PCLKA | 2 to 106 ICLK | EPTPC |
| 000C 4904h | EPTPC 0 | PTP-primary Message Destination MAC Address Setting Registers | PPMACRL | 32 | 32 | 9 to 211 PCLKA | 2 to 106 ICLK | EPTPC |
| 000C 4908h | EPTPC 0 | PTP-pdelay Message MAC Address Setting Registers | PDMACRU | 32 | 32 | 9 to 211 PCLKA | 2 to 106 ICLK | EPTPC |
| 000C 490Ch | EPTPC 0 | PTP-pdelay Message MAC Address Setting Registers | PDMACRL | 32 | 32 | 9 to 211 PCLKA | 2 to 106 ICLK | EPTPC |
| 000C 4910h | EPTPC 0 | PTP Message EtherType Setting Register | PETYPER | 32 | 32 | 9 to 211 PCLKA | 2 to 106 ICLK | EPTPC |
| 000C 4920h | EPTPC 0 | PTP-primary Message Destination IP Address Setting Register | PPIPR | 32 | 32 | 9 to 211 PCLKA | 2 to 106 ICLK | EPTPC |
| 000C 4924h | EPTPC 0 | PTP-pdelay Message Destination IP Address Setting Register | PDIPR | 32 | 32 | 9 to 211 PCLKA | 2 to 106 ICLK | EPTPC |
| 000C 4928h | EPTPC 0 | PTP event Message TOS Setting Register | PETOSR | 32 | 32 | 9 to 211 PCLKA | 2 to 106 ICLK | EPTPC |
| 000C 492Ch | EPTPC 0 | PTP general Message TOS Setting Register | PGTOSR | 32 | 32 | 9 to 211 PCLKA | 2 to 106 ICLK | EPTPC |
| 000C 4930h | EPTPC 0 | PTP-primary Message TTL Setting Register | PPTTLR | 32 | 32 | 9 to 211 PCLKA | 2 to 106 ICLK | EPTPC |
| 000C 4934h | EPTPC 0 | PTP-pdelay Message TTL Setting Register | PDTTLR | 32 | 32 | 9 to 211 PCLKA | 2 to 106 ICLK | EPTPC |
| 000C 4938h | EPTPC 0 | PTP event Message UDP Destination Port Number Setting Register | PEUDPR | 32 | 32 | 9 to 211 PCLKA | 2 to 106 ICLK | EPTPC |
| 000C 493Ch | EPTPC 0 | PTP general Message UDP Destination Port Number Setting Register | PGUDPR | 32 | 32 | 9 to 211 PCLKA | 2 to 106 ICLK | EPTPC |
| 000C 4940h | EPTPC 0 | Frame Reception Filter Setting Register | FFLTR | 32 | 32 | 9 to 211 PCLKA | 2 to 106 ICLK | EPTPC |
| 000C 4960h | EPTPC 0 | Frame Reception Filter MAC Address 0 Setting Registers | FMAC0RU | 32 | 32 | 9 to 211 PCLKA | 2 to 106 ICLK | EPTPC |
| 000C 4964h | EPTPC 0 | Frame Reception Filter MAC Address 0 Setting Registers | FMAC0RL | 32 | 32 | 9 to 211 PCLKA | 2 to 106 ICLK | EPTPC |
| 000C 4968h | EPTPC 0 | Frame Reception Filter MAC Address 1 Setting Registers | FMAC1RU | 32 | 32 | 9 to 211 PCLKA | 2 to 106 ICLK | EPTPC |
| 000C 496Ch | EPTPC 0 | Frame Reception Filter MAC Address 1 Setting Registers | FMAC1RL | 32 | 32 | 9 to 211 PCLKA | 2 to 106 ICLK | EPTPC |
| 000C 49C0h | EPTPC 0 | Asymmetric Delay Setting Register | DASYMRU | 32 | 32 | 9 to 211 PCLKA | 2 to 106 ICLK | EPTPC |
| 000C 49C4h | EPTPC 0 | Asymmetric Delay Setting Register | DASYMRL | 32 | 32 | 9 to 211 PCLKA | 2 to 106 ICLK | EPTPC |
| 000C 49C8h | EPTPC 0 | Timestamp Latency Setting Register | TSLATR | 32 | 32 | 9 to 211 PCLKA | 2 to 106 ICLK | EPTPC |
| 000C 49CCCh | EPTPC 0 | SYNFP Operation Setting Register | SYCONFR | 32 | 32 | 9 to 211 PCLKA | 2 to 106 ICLK | EPTPC |
| 000C 49D0h | EPTPC 0 | SYNFP Frame Format Setting Register | SYFORMR | 32 | 32 | 9 to 211 PCLKA | 2 to 106 ICLK | EPTPC |
| 000C 49D4h | EPTPC 0 | Response Message Reception Timeout Register | RSTOUTR | 32 | 32 | 9 to 211 PCLKA | 2 to 106 ICLK | EPTPC |
| 000C 4C00h | EPTPC 1 | SYNFP Status Register | SYSR | 32 | 32 | 9 to 211 PCLKA | 2 to 106 ICLK | EPTPC |
| 000C 4C04h | EPTPC 1 | SYNFP Status Notification Permission Register | SYIPR | 32 | 32 | 9 to 211 PCLKA | 2 to 106 ICLK | EPTPC |
| 000C 4C10h | EPTPC 1 | SYNFP MAC Address Registers | SYMACRU | 32 | 32 | 9 to 211 PCLKA | 2 to 106 ICLK | EPTPC |
| 000C 4C14h | EPTPC 1 | SYNFP MAC Address Registers | SYMACRL | 32 | 32 | 9 to 211 PCLKA | 2 to 106 ICLK | EPTPC |
| 000C 4C1Ch | EPTPC 1 | SYNFP Local IP Address Register | SYIPADDRR | 32 | 32 | 9 to 211 PCLKA | 2 to 106 ICLK | EPTPC |
| 000C 4C40h | EPTPC 1 | SYNFP Specification Version Setting Register | SYSPVRR | 32 | 32 | 9 to 211 PCLKA | 2 to 106 ICLK | EPTPC |
| 000C 4C44h | EPTPC 1 | SYNFP Domain Number Setting Register | SYDOMR | 32 | 32 | 9 to 211 PCLKA | 2 to 106 ICLK | EPTPC |

Table 4.1 List of I/O Registers (Address Order) (59 / 67)

| Address | Module Symbol | Register Name | Register Symbol | Number of Bits | Access Size | Number of Access Cycles | | Related Function |
|------------|---------------|---|-----------------|----------------|-------------|-------------------------|---------------|------------------|
| | | | | | | ICLK \geq PCLKA | ICLK < PCLKA | |
| 000C 4C50h | EPTPC 1 | Announce Message Flag Field Setting Register | ANFR | 32 | 32 | 9 to 211 PCLKA | 2 to 106 ICLK | EPTPC |
| 000C 4C54h | EPTPC 1 | Sync Message Flag Field Setting Register | SYNFR | 32 | 32 | 9 to 211 PCLKA | 2 to 106 ICLK | EPTPC |
| 000C 4C58h | EPTPC 1 | Delay_Req Message Flag Field Setting Register | DYRQFR | 32 | 32 | 9 to 211 PCLKA | 2 to 106 ICLK | EPTPC |
| 000C 4C5Ch | EPTPC 1 | Delay_Resp Message Flag Field Setting Register | DYRPFRR | 32 | 32 | 9 to 211 PCLKA | 2 to 106 ICLK | EPTPC |
| 000C 4C60h | EPTPC 1 | SYNFP Local Clock ID Registers | SYCIDRU | 32 | 32 | 9 to 211 PCLKA | 2 to 106 ICLK | EPTPC |
| 000C 4C64h | EPTPC 1 | SYNFP Local Clock ID Registers | SYCIDRL | 32 | 32 | 9 to 211 PCLKA | 2 to 106 ICLK | EPTPC |
| 000C 4C68h | EPTPC 1 | SYNFP Local Port Number Register | SYPNUMR | 32 | 32 | 9 to 211 PCLKA | 2 to 106 ICLK | EPTPC |
| 000C 4C80h | EPTPC 1 | SYNFP Register Value Load Directive Register | SYRVLDR | 32 | 32 | 9 to 211 PCLKA | 2 to 106 ICLK | EPTPC |
| 000C 4C90h | EPTPC 1 | SYNFP Reception Filter Register 1 | SYRFL1R | 32 | 32 | 9 to 211 PCLKA | 2 to 106 ICLK | EPTPC |
| 000C 4C94h | EPTPC 1 | SYNFP Reception Filter Register 2 | SYRFL2R | 32 | 32 | 9 to 211 PCLKA | 2 to 106 ICLK | EPTPC |
| 000C 4C98h | EPTPC 1 | SYNFP Transmission Enable Register | SYTRENRR | 32 | 32 | 9 to 211 PCLKA | 2 to 106 ICLK | EPTPC |
| 000C 4CA0h | EPTPC 1 | Master Clock ID Register | MTCIDU | 32 | 32 | 9 to 211 PCLKA | 2 to 106 ICLK | EPTPC |
| 000C 4CA4h | EPTPC 1 | Master Clock ID Register | MTCIDL | 32 | 32 | 9 to 211 PCLKA | 2 to 106 ICLK | EPTPC |
| 000C 4CA8h | EPTPC 1 | Master Clock Port Number Register | MTPID | 32 | 32 | 9 to 211 PCLKA | 2 to 106 ICLK | EPTPC |
| 000C 4CC0h | EPTPC 1 | SYNFP Transmission Interval Setting Register | SYTLIR | 32 | 32 | 9 to 211 PCLKA | 2 to 106 ICLK | EPTPC |
| 000C 4CC4h | EPTPC 1 | SYNFP Received logMessageInterval Value Indication Register | SYRLIR | 32 | 32 | 9 to 211 PCLKA | 2 to 106 ICLK | EPTPC |
| 000C 4CC8h | EPTPC 1 | offsetFromMaster Value Register | OFMRU | 32 | 32 | 9 to 211 PCLKA | 2 to 106 ICLK | EPTPC |
| 000C 4CCCh | EPTPC 1 | offsetFromMaster Value Register | OFMRL | 32 | 32 | 9 to 211 PCLKA | 2 to 106 ICLK | EPTPC |
| 000C 4CD0h | EPTPC 1 | meanPathDelay Value Register | MPDRU | 32 | 32 | 9 to 211 PCLKA | 2 to 106 ICLK | EPTPC |
| 000C 4CD4h | EPTPC 1 | meanPathDelay Value Register | MPDRL | 32 | 32 | 9 to 211 PCLKA | 2 to 106 ICLK | EPTPC |
| 000C 4CE0h | EPTPC 1 | grandmasterPriority Field Setting Register | GMPR | 32 | 32 | 9 to 211 PCLKA | 2 to 106 ICLK | EPTPC |
| 000C 4CE4h | EPTPC 1 | grandmasterClockQuality Field Setting Register | GMCQR | 32 | 32 | 9 to 211 PCLKA | 2 to 106 ICLK | EPTPC |
| 000C 4CE8h | EPTPC 1 | grandmasterIdentity Field Setting Registers | GMIDRU | 32 | 32 | 9 to 211 PCLKA | 2 to 106 ICLK | EPTPC |
| 000C 4CECh | EPTPC 1 | grandmasterIdentity Field Setting Registers | GMIDRL | 32 | 32 | 9 to 211 PCLKA | 2 to 106 ICLK | EPTPC |
| 000C 4CF0h | EPTPC 1 | currentUtcOffset/timeSource Field Setting Register | CUOTSR | 32 | 32 | 9 to 211 PCLKA | 2 to 106 ICLK | EPTPC |
| 000C 4CF4h | EPTPC 1 | stepsRemoved Field Setting Register | SRR | 32 | 32 | 9 to 211 PCLKA | 2 to 106 ICLK | EPTPC |
| 000C 4D00h | EPTPC 1 | PTP-primary Message Destination MAC Address Setting Registers | PPMACRU | 32 | 32 | 9 to 211 PCLKA | 2 to 106 ICLK | EPTPC |
| 000C 4D04h | EPTPC 1 | PTP-primary Message Destination MAC Address Setting Registers | PPMACRL | 32 | 32 | 9 to 211 PCLKA | 2 to 106 ICLK | EPTPC |
| 000C 4D08h | EPTPC 1 | PTP-pdelay Message MAC Address Setting Registers | PDMACRU | 32 | 32 | 9 to 211 PCLKA | 2 to 106 ICLK | EPTPC |
| 000C 4D0Ch | EPTPC 1 | PTP-pdelay Message MAC Address Setting Registers | PDMACRL | 32 | 32 | 9 to 211 PCLKA | 2 to 106 ICLK | EPTPC |
| 000C 4D10h | EPTPC 1 | PTP Message EtherType Setting Register | PETYPERR | 32 | 32 | 9 to 211 PCLKA | 2 to 106 ICLK | EPTPC |

Table 4.1 List of I/O Registers (Address Order) (60 / 67)

| Address | Module Symbol | Register Name | Register Symbol | Number of Bits | Access Size | Number of Access Cycles | | Related Function |
|------------|---------------|--|-----------------|----------------|-------------|-------------------------|---------------|------------------|
| | | | | | | ICLK ≥ PCLK | ICLK < PCLK | |
| 000C 4D20h | EPTPC 1 | PTP-primary Message Destination IP Address Setting Register | PPIPR | 32 | 32 | 9 to 211 PCLKA | 2 to 106 ICLK | EPTPC |
| 000C 4D24h | EPTPC 1 | PTP-pdelay Message Destination IP Address Setting Register | PDIPR | 32 | 32 | 9 to 211 PCLKA | 2 to 106 ICLK | EPTPC |
| 000C 4D28h | EPTPC 1 | PTP event Message TOS Setting Register | PETOSR | 32 | 32 | 9 to 211 PCLKA | 2 to 106 ICLK | EPTPC |
| 000C 4D2Ch | EPTPC 1 | PTP general Message TOS Setting Register | PGTOSR | 32 | 32 | 9 to 211 PCLKA | 2 to 106 ICLK | EPTPC |
| 000C 4D30h | EPTPC 1 | PTP-primary Message TTL Setting Register | PPTTLR | 32 | 32 | 9 to 211 PCLKA | 2 to 106 ICLK | EPTPC |
| 000C 4D34h | EPTPC 1 | PTP-pdelay Message TTL Setting Register | PDTLR | 32 | 32 | 9 to 211 PCLKA | 2 to 106 ICLK | EPTPC |
| 000C 4D38h | EPTPC 1 | PTP event Message UDP Destination Port Number Setting Register | PEUDPR | 32 | 32 | 9 to 211 PCLKA | 2 to 106 ICLK | EPTPC |
| 000C 4D3Ch | EPTPC 1 | PTP general Message UDP Destination Port Number Setting Register | PGUDPR | 32 | 32 | 9 to 211 PCLKA | 2 to 106 ICLK | EPTPC |
| 000C 4D40h | EPTPC 1 | Frame Reception Filter Setting Register | FFLTR | 32 | 32 | 9 to 211 PCLKA | 2 to 106 ICLK | EPTPC |
| 000C 4D60h | EPTPC 1 | Frame Reception Filter MAC Address 0 Setting Registers | FMAC0RU | 32 | 32 | 9 to 211 PCLKA | 2 to 106 ICLK | EPTPC |
| 000C 4D64h | EPTPC 1 | Frame Reception Filter MAC Address 0 Setting Registers | FMAC0RL | 32 | 32 | 9 to 211 PCLKA | 2 to 106 ICLK | EPTPC |
| 000C 4D68h | EPTPC 1 | Frame Reception Filter MAC Address 1 Setting Registers | FMAC1RU | 32 | 32 | 9 to 211 PCLKA | 2 to 106 ICLK | EPTPC |
| 000C 4D6Ch | EPTPC 1 | Frame Reception Filter MAC Address 1 Setting Registers | FMAC1RL | 32 | 32 | 9 to 211 PCLKA | 2 to 106 ICLK | EPTPC |
| 000C 4DC0h | EPTPC 1 | Asymmetric Delay Setting Register | DASYMRU | 32 | 32 | 9 to 211 PCLKA | 2 to 106 ICLK | EPTPC |
| 000C 4DC4h | EPTPC 1 | Asymmetric Delay Setting Register | DASYMRL | 32 | 32 | 9 to 211 PCLKA | 2 to 106 ICLK | EPTPC |
| 000C 4DC8h | EPTPC 1 | Timestamp Latency Setting Register | TSLATR | 32 | 32 | 9 to 211 PCLKA | 2 to 106 ICLK | EPTPC |
| 000C 4DCCh | EPTPC 1 | SYNFP Operation Setting Register | SYCONFR | 32 | 32 | 9 to 211 PCLKA | 2 to 106 ICLK | EPTPC |
| 000C 4DD0h | EPTPC 1 | SYNFP Frame Format Setting Register | SYFORMR | 32 | 32 | 9 to 211 PCLKA | 2 to 106 ICLK | EPTPC |
| 000C 4DD4h | EPTPC 1 | Response Message Reception Timeout Register | RSTOUTR | 32 | 32 | 9 to 211 PCLKA | 2 to 106 ICLK | EPTPC |
| 000D 0000h | SCIFA8 | Serial Mode Register | SMR | 16 | 16 | 3, 4 PCLKB | 2 ICLK | SCIFA |
| 000D 0002h | SCIFA8 | Bit Rate Register | BRR | 8 | 8 | 3, 4 PCLKB | 2 ICLK | SCIFA |
| 000D 0002h | SCIFA8 | Modulation Duty Register | MDDR | 8 | 8 | 3, 4 PCLKB | 2 ICLK | SCIFA |
| 000D 0004h | SCIFA8 | Serial Control Register | SCR | 16 | 16 | 3, 4 PCLKB | 2 ICLK | SCIFA |
| 000D 0006h | SCIFA8 | Transmit FIFO Data Register | FTDR | 8 | 8 | 3, 4 PCLKB | 2 ICLK | SCIFA |
| 000D 0008h | SCIFA8 | Serial Status Register | FSR | 16 | 16 | 3, 4 PCLKB | 2 ICLK | SCIFA |
| 000D 000Ah | SCIFA8 | Receive FIFO Data Register | FRDR | 8 | 8 | 3, 4 PCLKB | 2 ICLK | SCIFA |
| 000D 000Ch | SCIFA8 | FIFO Control Register | FCR | 16 | 16 | 3, 4 PCLKB | 2 ICLK | SCIFA |
| 000D 000Eh | SCIFA8 | FIFO Data Count Register | FDR | 16 | 16 | 3, 4 PCLKB | 2 ICLK | SCIFA |
| 000D 0010h | SCIFA8 | Serial Port Register | SPTR | 16 | 16 | 3, 4 PCLKB | 2 ICLK | SCIFA |
| 000D 0012h | SCIFA8 | Line Status Register | LSR | 16 | 16 | 3, 4 PCLKB | 2 ICLK | SCIFA |
| 000D 0014h | SCIFA8 | Serial Extended Mode Register | SEMR | 8 | 8 | 3, 4 PCLKB | 2 ICLK | SCIFA |
| 000D 0016h | SCIFA8 | FIFO Trigger Control Register | FTCR | 16 | 16 | 3, 4 PCLKB | 2 ICLK | SCIFA |
| 000D 0020h | SCIFA9 | Serial Mode Register | SMR | 16 | 16 | 3, 4 PCLKB | 2 ICLK | SCIFA |
| 000D 0022h | SCIFA9 | Bit Rate Register | BRR | 8 | 8 | 3, 4 PCLKB | 2 ICLK | SCIFA |
| 000D 0022h | SCIFA9 | Modulation Duty Register | MDDR | 8 | 8 | 3, 4 PCLKB | 2 ICLK | SCIFA |
| 000D 0024h | SCIFA9 | Serial Control Register | SCR | 16 | 16 | 3, 4 PCLKB | 2 ICLK | SCIFA |
| 000D 0026h | SCIFA9 | Transmit FIFO Data Register | FTDR | 8 | 8 | 3, 4 PCLKB | 2 ICLK | SCIFA |
| 000D 0028h | SCIFA9 | Serial Status Register | FSR | 16 | 16 | 3, 4 PCLKB | 2 ICLK | SCIFA |
| 000D 002Ah | SCIFA9 | Receive FIFO Data Register | FRDR | 8 | 8 | 3, 4 PCLKB | 2 ICLK | SCIFA |

Table 4.1 List of I/O Registers (Address Order) (61 / 67)

| Address | Module Symbol | Register Name | Register Symbol | Number of Bits | Access Size | Number of Access Cycles | | Related Function |
|------------|---------------|-------------------------------------|-----------------|----------------|-------------|-------------------------|-------------|------------------|
| | | | | | | ICLK ≥ PCLK | ICLK < PCLK | |
| 000D 002Ch | SCIFA9 | FIFO Control Register | FCR | 16 | 16 | 3, 4 PCLKB | 2 ICLK | SCIFA |
| 000D 002Eh | SCIFA9 | FIFO Data Count Register | FDR | 16 | 16 | 3, 4 PCLKB | 2 ICLK | SCIFA |
| 000D 0030h | SCIFA9 | Serial Port Register | SPTR | 16 | 16 | 3, 4 PCLKB | 2 ICLK | SCIFA |
| 000D 0032h | SCIFA9 | Line Status Register | LSR | 16 | 16 | 3, 4 PCLKB | 2 ICLK | SCIFA |
| 000D 0034h | SCIFA9 | Serial Extended Mode Register | SEMR | 8 | 8 | 3, 4 PCLKB | 2 ICLK | SCIFA |
| 000D 0036h | SCIFA9 | FIFO Trigger Control Register | FTCR | 16 | 16 | 3, 4 PCLKB | 2 ICLK | SCIFA |
| 000D 0040h | SCIFA10 | Serial Mode Register | SMR | 16 | 16 | 3, 4 PCLKB | 2 ICLK | SCIFA |
| 000D 0042h | SCIFA10 | Bit Rate Register | BRR | 8 | 8 | 3, 4 PCLKB | 2 ICLK | SCIFA |
| 000D 0042h | SCIFA10 | Modulation Duty Register | MDDR | 8 | 8 | 3, 4 PCLKB | 2 ICLK | SCIFA |
| 000D 0044h | SCIFA10 | Serial Control Register | SCR | 16 | 16 | 3, 4 PCLKB | 2 ICLK | SCIFA |
| 000D 0046h | SCIFA10 | Transmit FIFO Data Register | FTDR | 8 | 8 | 3, 4 PCLKB | 2 ICLK | SCIFA |
| 000D 0048h | SCIFA10 | Serial Status Register | FSR | 16 | 16 | 3, 4 PCLKB | 2 ICLK | SCIFA |
| 000D 004Ah | SCIFA10 | Receive FIFO Data Register | FRDR | 8 | 8 | 3, 4 PCLKB | 2 ICLK | SCIFA |
| 000D 004Ch | SCIFA10 | FIFO Control Register | FCR | 16 | 16 | 3, 4 PCLKB | 2 ICLK | SCIFA |
| 000D 004Eh | SCIFA10 | FIFO Data Count Register | FDR | 16 | 16 | 3, 4 PCLKB | 2 ICLK | SCIFA |
| 000D 0050h | SCIFA10 | Serial Port Register | SPTR | 16 | 16 | 3, 4 PCLKB | 2 ICLK | SCIFA |
| 000D 0052h | SCIFA10 | Line Status Register | LSR | 16 | 16 | 3, 4 PCLKB | 2 ICLK | SCIFA |
| 000D 0054h | SCIFA10 | Serial Extended Mode Register | SEMR | 8 | 8 | 3, 4 PCLKB | 2 ICLK | SCIFA |
| 000D 0056h | SCIFA10 | FIFO Trigger Control Register | FTCR | 16 | 16 | 3, 4 PCLKB | 2 ICLK | SCIFA |
| 000D 0060h | SCIFA11 | Serial Mode Register | SMR | 16 | 16 | 3, 4 PCLKB | 2 ICLK | SCIFA |
| 000D 0062h | SCIFA11 | Bit Rate Register | BRR | 8 | 8 | 3, 4 PCLKB | 2 ICLK | SCIFA |
| 000D 0062h | SCIFA11 | Modulation Duty Register | MDDR | 8 | 8 | 3, 4 PCLKB | 2 ICLK | SCIFA |
| 000D 0064h | SCIFA11 | Serial Control Register | SCR | 16 | 16 | 3, 4 PCLKB | 2 ICLK | SCIFA |
| 000D 0066h | SCIFA11 | Transmit FIFO Data Register | FTDR | 8 | 8 | 3, 4 PCLKB | 2 ICLK | SCIFA |
| 000D 0068h | SCIFA11 | Serial Status Register | FSR | 16 | 16 | 3, 4 PCLKB | 2 ICLK | SCIFA |
| 000D 006Ah | SCIFA11 | Receive FIFO Data Register | FRDR | 8 | 8 | 3, 4 PCLKB | 2 ICLK | SCIFA |
| 000D 006Ch | SCIFA11 | FIFO Control Register | FCR | 16 | 16 | 3, 4 PCLKB | 2 ICLK | SCIFA |
| 000D 006Eh | SCIFA11 | FIFO Data Count Register | FDR | 16 | 16 | 3, 4 PCLKB | 2 ICLK | SCIFA |
| 000D 0070h | SCIFA11 | Serial Port Register | SPTR | 16 | 16 | 3, 4 PCLKB | 2 ICLK | SCIFA |
| 000D 0072h | SCIFA11 | Line Status Register | LSR | 16 | 16 | 3, 4 PCLKB | 2 ICLK | SCIFA |
| 000D 0074h | SCIFA11 | Serial Extended Mode Register | SEMR | 8 | 8 | 3, 4 PCLKB | 2 ICLK | SCIFA |
| 000D 0076h | SCIFA11 | FIFO Trigger Control Register | FTCR | 16 | 16 | 3, 4 PCLKB | 2 ICLK | SCIFA |
| 000D 0100h | RSPI0 | RSPI Control Register | SPCR | 8 | 8 | 3, 4 PCLKA | 2 ICLK | RSPIa |
| 000D 0101h | RSPI0 | RSPI Slave Select Polarity Register | SSLP | 8 | 8 | 3, 4 PCLKA | 2 ICLK | RSPIa |
| 000D 0102h | RSPI0 | RSPI Pin Control Register | SPPCR | 8 | 8 | 3, 4 PCLKA | 2 ICLK | RSPIa |

Table 4.1 List of I/O Registers (Address Order) (62 / 67)

| Address | Module Symbol | Register Name | Register Symbol | Number of Bits | Access Size | Number of Access Cycles | | Related Function |
|------------|---------------|---|-----------------|----------------|-------------|-----------------------------|--|------------------|
| | | | | | | ICLK ≥ PCLK | ICLK < PCLK | |
| 000D 0103h | RSPIO | RSPI Status Register | SPSR | 8 | 8 | 3, 4 PCLKA | 2 ICLK | RSPIa |
| 000D 0104h | RSPIO | RSPI Data Register | SPDR | 32 | 16, 32 | 3, 4 PCLKA | 2 ICLK | RSPIa |
| 000D 0108h | RSPIO | RSPI Sequence Control Register | SPSCR | 8 | 8 | 3, 4 PCLKA | 2 ICLK | RSPIa |
| 000D 0109h | RSPIO | RSPI Sequence Status Register | SPSSR | 8 | 8 | 3, 4 PCLKA | 2 ICLK | RSPIa |
| 000D 010Ah | RSPIO | RSPI Bit Rate Register | SPBR | 8 | 8 | 3, 4 PCLKA | 2 ICLK | RSPIa |
| 000D 010Bh | RSPIO | RSPI Data Control Register | SPDCR | 8 | 8 | 3, 4 PCLKA | 2 ICLK | RSPIa |
| 000D 010Ch | RSPIO | RSPI Clock Delay Register | SPCKD | 8 | 8 | 3, 4 PCLKA | 2 ICLK | RSPIa |
| 000D 010Dh | RSPIO | RSPI Slave Select Negation Delay Register | SSLND | 8 | 8 | 3, 4 PCLKA | 2 ICLK | RSPIa |
| 000D 010Eh | RSPIO | RSPI Next-Access Delay Register | SPND | 8 | 8 | 3, 4 PCLKA | 2 ICLK | RSPIa |
| 000D 010Fh | RSPIO | RSPI Control Register 2 | SPCR2 | 8 | 8 | 3, 4 PCLKA | 2 ICLK | RSPIa |
| 000D 0110h | RSPIO | RSPI Command Register 0 | SPCMD0 | 16 | 16 | 3, 4 PCLKA | 2 ICLK | RSPIa |
| 000D 0112h | RSPIO | RSPI Command Register 1 | SPCMD1 | 16 | 16 | 3, 4 PCLKA | 2 ICLK | RSPIa |
| 000D 0114h | RSPIO | RSPI Command Register 2 | SPCMD2 | 16 | 16 | 3, 4 PCLKA | 2 ICLK | RSPIa |
| 000D 0116h | RSPIO | RSPI Command Register 3 | SPCMD3 | 16 | 16 | 3, 4 PCLKA | 2 ICLK | RSPIa |
| 000D 0118h | RSPIO | RSPI Command Register 4 | SPCMD4 | 16 | 16 | 3, 4 PCLKA | 2 ICLK | RSPIa |
| 000D 011Ah | RSPIO | RSPI Command Register 5 | SPCMD5 | 16 | 16 | 3, 4 PCLKA | 2 ICLK | RSPIa |
| 000D 011Ch | RSPIO | RSPI Command Register 6 | SPCMD6 | 16 | 16 | 3, 4 PCLKA | 2 ICLK | RSPIa |
| 000D 011Eh | RSPIO | RSPI Command Register 7 | SPCMD7 | 16 | 16 | 3, 4 PCLKA | 2 ICLK | RSPIa |
| 000D 0400h | USBA | System Configuration Control Register | SYSCFG | 16 | 16 | 3, 4 PCLKB | 2 ICLK | USBA |
| 000D 0402h | USBA | CPU Bus Wait Register | BUSWAIT | 16 | 16 | 3, 4 PCLKB | 2 ICLK | USBA |
| 000D 0404h | USBA | System Configuration Status Register | SYSSTS0 | 16 | 16 | (3 + BUSWAIT) PCLKA or more | Rounded up to the nearest integer greater than 1 + (3 + BUSWAIT) × (frequency ratio of ICLK/PCLKB) ^{*5} | USBA |
| 000D 0406h | USBA | PLL Status Register | PLLSTA | 16 | 16 | (3 + BUSWAIT) PCLKA or more | Rounded up to the nearest integer greater than 1 + (3 + BUSWAIT) × (frequency ratio of ICLK/PCLKB) ^{*5} | USBA |
| 000D 0408h | USBA | Device State Control Register 0 | DVSTCTR0 | 16 | 16 | (3 + BUSWAIT) PCLKA or more | Rounded up to the nearest integer greater than 1 + (3 + BUSWAIT) × (frequency ratio of ICLK/PCLKB) ^{*5} | USBA |
| 000D 0414h | USBA | CFIFO Port Register | CFIFO | 32 | 8,16,32 | (3 + BUSWAIT) PCLKA or more | Rounded up to the nearest integer greater than 1 + (3 + BUSWAIT) × (frequency ratio of ICLK/PCLKB) ^{*5} | USBA |
| 000D 0418h | USBA | D0FIFO Port Register | D0FIFO | 32 | 8,16,32 | (3 + BUSWAIT) PCLKA or more | Rounded up to the nearest integer greater than 1 + (3 + BUSWAIT) × (frequency ratio of ICLK/PCLKB) ^{*5} | USBA |
| 000D 041Ch | USBA | D1FIFO Port Register | D1FIFO | 32 | 8,16,32 | (3 + BUSWAIT) PCLKA or more | Rounded up to the nearest integer greater than 1 + (3 + BUSWAIT) × (frequency ratio of ICLK/PCLKB) ^{*5} | USBA |
| 000D 0420h | USBA | CFIFO Port Select Register | CFIFOSEL | 16 | 16 | (3 + BUSWAIT) PCLKA or more | Rounded up to the nearest integer greater than 1 + (3 + BUSWAIT) × (frequency ratio of ICLK/PCLKB) ^{*5} | USBA |
| 000D 0422h | USBA | CFIFO Port Control Register | CFIFOCTR | 16 | 16 | (3 + BUSWAIT) PCLKA or more | Rounded up to the nearest integer greater than 1 + (3 + BUSWAIT) × (frequency ratio of ICLK/PCLKB) ^{*5} | USBA |
| 000D 0428h | USBA | D0FIFO Port Select Register | D0FIFOSEL | 16 | 16 | (3 + BUSWAIT) PCLKA or more | Rounded up to the nearest integer greater than 1 + (3 + BUSWAIT) × (frequency ratio of ICLK/PCLKB) ^{*5} | USBA |

Table 4.1 List of I/O Registers (Address Order) (63 / 67)

| Address | Module Symbol | Register Name | Register Symbol | Number of Bits | Access Size | Number of Access Cycles | | Related Function |
|------------|---------------|-----------------------------------|-----------------|----------------|-------------|--------------------------------|--|------------------|
| | | | | | | ICLK ≥ PCLK | ICLK < PCLK | |
| 000D 042Ah | USBA | D0FIFO Port Control Register | D0FIFOCTR | 16 | 16 | (3 + BUSWAIT) PCLKA or more | Rounded up to the nearest integer greater than 1 + (3 + BUSWAIT) × (frequency ratio of ICLK/PCLKB) ^{*5} | USBA |
| 000D 042Ch | USBA | D1FIFO Port Select Register | D1FIFOSEL | 16 | 16 | (3 + BUSWAIT) PCLKA or more | Rounded up to the nearest integer greater than 1 + (3 + BUSWAIT) × (frequency ratio of ICLK/PCLKB) ^{*5} | USBA |
| 000D 042Eh | USBA | D1FIFO Port Control Register | D1FIFOCTR | 16 | 16 | (3 + BUSWAIT) PCLKA or more | Rounded up to the nearest integer greater than 1 + (3 + BUSWAIT) × (frequency ratio of ICLK/PCLKB) ^{*5} | USBA |
| 000D 0430h | USBA | Interrupt Enable Register 0 | INTENB0 | 16 | 16 | (3 + BUSWAIT) PCLKA or more | Rounded up to the nearest integer greater than 1 + (3 + BUSWAIT) × (frequency ratio of ICLK/PCLKB) ^{*5} | USBA |
| 000D 0432h | USBA | Interrupt Enable Register 1 | INTENB1 | 16 | 16 | (3 + BUSWAIT) PCLKA or more | Rounded up to the nearest integer greater than 1 + (3 + BUSWAIT) × (frequency ratio of ICLK/PCLKB) ^{*5} | USBA |
| 000D 0436h | USBA | BRDY Interrupt Enable Register | BRDYENB | 16 | 16 | (3 + BUSWAIT) PCLKA or more | Rounded up to the nearest integer greater than 1 + (3 + BUSWAIT) × (frequency ratio of ICLK/PCLKB) ^{*5} | USBA |
| 000D 0438h | USBA | NRDY Interrupt Enable Register | NRDYENB | 16 | 16 | (3 + BUSWAIT) PCLKA or more | Rounded up to the nearest integer greater than 1 + (3 + BUSWAIT) × (frequency ratio of ICLK/PCLKB) ^{*5} | USBA |
| 000D 043Ah | USBA | BEMP Interrupt Enable Register | BEMPENB | 16 | 16 | (3 + BUSWAIT) PCLKA or more | Rounded up to the nearest integer greater than 1 + (3 + BUSWAIT) × (frequency ratio of ICLK/PCLKB) ^{*5} | USBA |
| 000D 043Ch | USBA | SOF Output Configuration Register | SOFCFG | 16 | 16 | (3 + BUSWAIT) PCLKA or more | Rounded up to the nearest integer greater than 1 + (3 + BUSWAIT) × (frequency ratio of ICLK/PCLKB) ^{*5} | USBA |
| 000D 043Eh | USBA | PHY Setting Register | PHYSET | 16 | 16 | (3 + BUSWAIT) PCLKA or more | Rounded up to the nearest integer greater than 1 + (3 + BUSWAIT) × (frequency ratio of ICLK/PCLKB) ^{*5} | USBA |
| 000D 0440h | USBA | Interrupt Status Register 0 | INTSTS0 | 16 | 16 | (3 + BUSWAIT) PCLKA or more | Rounded up to the nearest integer greater than 1 + (3 + BUSWAIT) × (frequency ratio of ICLK/PCLKB) ^{*5} | USBA |
| 000D 0442h | USBA | Interrupt Status Register 1 | INTSTS1 | 16 | 16 | (3 + BUSWAIT) PCLKA or more | Rounded up to the nearest integer greater than 1 + (3 + BUSWAIT) × (frequency ratio of ICLK/PCLKB) ^{*5} | USBA |
| 000D 0446h | USBA | BRDY Interrupt Status Register | BRDYSTS | 16 | 16 | (3 + BUSWAIT) PCLKA or more | Rounded up to the nearest integer greater than 1 + (3 + BUSWAIT) × (frequency ratio of ICLK/PCLKB) ^{*5} | USBA |
| 000D 0448h | USBA | NRDY Interrupt Status Register | NRDYSTS | 16 | 16 | (3 + BUSWAIT) PCLKA or more | Rounded up to the nearest integer greater than 1 + (3 + BUSWAIT) × (frequency ratio of ICLK/PCLKB) ^{*5} | USBA |
| 000D 044Ah | USBA | BEMP Interrupt Status Register | BEMPSTS | 16 | 16 | (3 + BUSWAIT) PCLKA or more | Rounded up to the nearest integer greater than 1 + (3 + BUSWAIT) × (frequency ratio of ICLK/PCLKB) ^{*5} | USBA |

Table 4.1 List of I/O Registers (Address Order) (64 / 67)

| Address | Module Symbol | Register Name | Register Symbol | Number of Bits | Access Size | Number of Access Cycles | | Related Function |
|------------|---------------|-----------------------------------|-----------------|----------------|-------------|--------------------------------|--|------------------|
| | | | | | | ICLK \geq PCLK | ICLK < PCLK | |
| 000D 044Ch | USBA | Frame Number Register | FRMNUM | 16 | 16 | (3 + BUSWAIT) PCLKA or more | Rounded up to the nearest integer greater than $1 + (3 + \text{BUSWAIT}) \times (\text{frequency ratio of ICLK/PCLKB})^{*5}$ | USBA |
| 000D 044Eh | USBA | μ Frame Number Register | UFRMNUM | 16 | 16 | (3 + BUSWAIT) PCLKA or more | Rounded up to the nearest integer greater than $1 + (3 + \text{BUSWAIT}) \times (\text{frequency ratio of ICLK/PCLKB})^{*5}$ | USBA |
| 000D 0450h | USBA | USB Address Register | USBADDR | 16 | 16 | (3 + BUSWAIT) PCLKA or more | Rounded up to the nearest integer greater than $1 + (3 + \text{BUSWAIT}) \times (\text{frequency ratio of ICLK/PCLKB})^{*5}$ | USBA |
| 000D 0454h | USBA | USB Request Type Register | USBREQ | 16 | 16 | (3 + BUSWAIT) PCLKA or more | Rounded up to the nearest integer greater than $1 + (3 + \text{BUSWAIT}) \times (\text{frequency ratio of ICLK/PCLKB})^{*5}$ | USBA |
| 000D 0456h | USBA | USB Request Value Register | USBVAL | 16 | 16 | (3 + BUSWAIT) PCLKA or more | Rounded up to the nearest integer greater than $1 + (3 + \text{BUSWAIT}) \times (\text{frequency ratio of ICLK/PCLKB})^{*5}$ | USBA |
| 000D 0458h | USBA | USB Request Index Register | USBINDX | 16 | 16 | (3 + BUSWAIT) PCLKA or more | Rounded up to the nearest integer greater than $1 + (3 + \text{BUSWAIT}) \times (\text{frequency ratio of ICLK/PCLKB})^{*5}$ | USBA |
| 000D 045Ah | USBA | USB Request Length Register | USBLENG | 16 | 16 | (3 + BUSWAIT) PCLKA or more | Rounded up to the nearest integer greater than $1 + (3 + \text{BUSWAIT}) \times (\text{frequency ratio of ICLK/PCLKB})^{*5}$ | USBA |
| 000D 045Ch | USBA | DCP Configuration Register | DCPCFG | 16 | 16 | (3 + BUSWAIT) PCLKA or more | Rounded up to the nearest integer greater than $1 + (3 + \text{BUSWAIT}) \times (\text{frequency ratio of ICLK/PCLKB})^{*5}$ | USBA |
| 000D 045Eh | USBA | DCP Maximum Packet Size Register | DCPMAXP | 16 | 16 | (3 + BUSWAIT) PCLKA or more | Rounded up to the nearest integer greater than $1 + (3 + \text{BUSWAIT}) \times (\text{frequency ratio of ICLK/PCLKB})^{*5}$ | USBA |
| 000D 0460h | USBA | DCP Control Register | DCPCTR | 16 | 16 | (3 + BUSWAIT) PCLKA or more | Rounded up to the nearest integer greater than $1 + (3 + \text{BUSWAIT}) \times (\text{frequency ratio of ICLK/PCLKB})^{*5}$ | USBA |
| 000D 0464h | USBA | Pipe Window Select Register | PIPESEL | 16 | 16 | (3 + BUSWAIT) PCLKA or more | Rounded up to the nearest integer greater than $1 + (3 + \text{BUSWAIT}) \times (\text{frequency ratio of ICLK/PCLKB})^{*5}$ | USBA |
| 000D 0468h | USBA | Pipe Configuration Register | PIPECFG | 16 | 16 | (3 + BUSWAIT) PCLKA or more | Rounded up to the nearest integer greater than $1 + (3 + \text{BUSWAIT}) \times (\text{frequency ratio of ICLK/PCLKB})^{*5}$ | USBA |
| 000D 046Ah | USBA | Pipe Buffer Register | PIPEBUF | 16 | 16 | (3 + BUSWAIT) PCLKA or more | Rounded up to the nearest integer greater than $1 + (3 + \text{BUSWAIT}) \times (\text{frequency ratio of ICLK/PCLKB})^{*5}$ | USBA |
| 000D 046Ch | USBA | Pipe Maximum Packet Size Register | PIPEMAXP | 16 | 16 | (3 + BUSWAIT) PCLKA or more | Rounded up to the nearest integer greater than $1 + (3 + \text{BUSWAIT}) \times (\text{frequency ratio of ICLK/PCLKB})^{*5}$ | USBA |
| 000D 046Eh | USBA | Pipe Cycle Control Register | PIPEPERI | 16 | 16 | (3 + BUSWAIT) PCLKA or more | Rounded up to the nearest integer greater than $1 + (3 + \text{BUSWAIT}) \times (\text{frequency ratio of ICLK/PCLKB})^{*5}$ | USBA |

Table 4.1 List of I/O Registers (Address Order) (65 / 67)

| Address | Module Symbol | Register Name | Register Symbol | Number of Bits | Access Size | Number of Access Cycles | | Related Function |
|------------|---------------|---|-----------------|----------------|-------------|--------------------------------|--|------------------|
| | | | | | | ICLK \geq PCLK | ICLK < PCLK | |
| 000D 0470h | USBA | Pipe1 Control Register | PIPE1CTR | 16 | 16 | (3 + BUSWAIT) PCLKA or more | Rounded up to the nearest integer greater than $1 + (3 + \text{BUSWAIT}) \times (\text{frequency ratio of ICLK/PCLKB})^{*5}$ | USBA |
| 000D 0472h | USBA | Pipe2 Control Register | PIPE2CTR | 16 | 16 | (3 + BUSWAIT) PCLKA or more | Rounded up to the nearest integer greater than $1 + (3 + \text{BUSWAIT}) \times (\text{frequency ratio of ICLK/PCLKB})^{*5}$ | USBA |
| 000D 0474h | USBA | Pipe3 Control Register | PIPE3CTR | 16 | 16 | (3 + BUSWAIT) PCLKA or more | Rounded up to the nearest integer greater than $1 + (3 + \text{BUSWAIT}) \times (\text{frequency ratio of ICLK/PCLKB})^{*5}$ | USBA |
| 000D 0476h | USBA | Pipe4 Control Register | PIPE4CTR | 16 | 16 | (3 + BUSWAIT) PCLKA or more | Rounded up to the nearest integer greater than $1 + (3 + \text{BUSWAIT}) \times (\text{frequency ratio of ICLK/PCLKB})^{*5}$ | USBA |
| 000D 0478h | USBA | Pipe5 Control Register | PIPE5CTR | 16 | 16 | (3 + BUSWAIT) PCLKA or more | Rounded up to the nearest integer greater than $1 + (3 + \text{BUSWAIT}) \times (\text{frequency ratio of ICLK/PCLKB})^{*5}$ | USBA |
| 000D 047Ah | USBA | Pipe6 Control Register | PIPE6CTR | 16 | 16 | (3 + BUSWAIT) PCLKA or more | Rounded up to the nearest integer greater than $1 + (3 + \text{BUSWAIT}) \times (\text{frequency ratio of ICLK/PCLKB})^{*5}$ | USBA |
| 000D 047Ch | USBA | Pipe7 Control Register | PIPE7CTR | 16 | 16 | (3 + BUSWAIT) PCLKA or more | Rounded up to the nearest integer greater than $1 + (3 + \text{BUSWAIT}) \times (\text{frequency ratio of ICLK/PCLKB})^{*5}$ | USBA |
| 000D 047Eh | USBA | Pipe8 Control Register | PIPE8CTR | 16 | 16 | (3 + BUSWAIT) PCLKA or more | Rounded up to the nearest integer greater than $1 + (3 + \text{BUSWAIT}) \times (\text{frequency ratio of ICLK/PCLKB})^{*5}$ | USBA |
| 000D 0480h | USBA | Pipe9 Control Register | PIPE9CTR | 16 | 16 | (3 + BUSWAIT) PCLKA or more | Rounded up to the nearest integer greater than $1 + (3 + \text{BUSWAIT}) \times (\text{frequency ratio of ICLK/PCLKB})^{*5}$ | USBA |
| 000D 0490h | USBA | Pipe1 Transaction Counter Enable Register | PIPE1TRE | 16 | 16 | (3 + BUSWAIT) PCLKA or more | Rounded up to the nearest integer greater than $1 + (3 + \text{BUSWAIT}) \times (\text{frequency ratio of ICLK/PCLKB})^{*5}$ | USBA |
| 000D 0492h | USBA | Pipe1 Transaction Counter Register | PIPE1TRN | 16 | 16 | (3 + BUSWAIT) PCLKA or more | Rounded up to the nearest integer greater than $1 + (3 + \text{BUSWAIT}) \times (\text{frequency ratio of ICLK/PCLKB})^{*5}$ | USBA |
| 000D 0494h | USBA | Pipe2 Transaction Counter Enable Register | PIPE2TRE | 16 | 16 | (3 + BUSWAIT) PCLKA or more | Rounded up to the nearest integer greater than $1 + (3 + \text{BUSWAIT}) \times (\text{frequency ratio of ICLK/PCLKB})^{*5}$ | USBA |
| 000D 0496h | USBA | Pipe2 Transaction Counter Register | PIPE2TRN | 16 | 16 | (3 + BUSWAIT) PCLKA or more | Rounded up to the nearest integer greater than $1 + (3 + \text{BUSWAIT}) \times (\text{frequency ratio of ICLK/PCLKB})^{*5}$ | USBA |
| 000D 0498h | USBA | Pipe3 Transaction Counter Enable Register | PIPE3TRE | 16 | 16 | (3 + BUSWAIT) PCLKA or more | Rounded up to the nearest integer greater than $1 + (3 + \text{BUSWAIT}) \times (\text{frequency ratio of ICLK/PCLKB})^{*5}$ | USBA |
| 000D 049Ah | USBA | Pipe3 Transaction Counter Register | PIPE3TRN | 16 | 16 | (3 + BUSWAIT) PCLKA or more | Rounded up to the nearest integer greater than $1 + (3 + \text{BUSWAIT}) \times (\text{frequency ratio of ICLK/PCLKB})^{*5}$ | USBA |

Table 4.1 List of I/O Registers (Address Order) (66 / 67)

| Address | Module Symbol | Register Name | Register Symbol | Number of Bits | Access Size | Number of Access Cycles | | Related Function |
|------------|---------------|---|-----------------|----------------|-------------|--------------------------------|--|------------------|
| | | | | | | ICLK \geq PCLK | ICLK < PCLK | |
| 000D 049Ch | USBA | Pipe4 Transaction Counter Enable Register | PIPE4TRE | 16 | 16 | (3 + BUSWAIT) PCLKA or more | Rounded up to the nearest integer greater than $1 + (3 + \text{BUSWAIT}) \times (\text{frequency ratio of ICLK/PCLKB})^{*5}$ | USBA |
| 000D 049Eh | USBA | Pipe4 Transaction Counter Register | PIPE4TRN | 16 | 16 | (3 + BUSWAIT) PCLKA or more | Rounded up to the nearest integer greater than $1 + (3 + \text{BUSWAIT}) \times (\text{frequency ratio of ICLK/PCLKB})^{*5}$ | USBA |
| 000D 04A0h | USBA | Pipe5 Transaction Counter Enable Register | PIPE5TRE | 16 | 16 | (3 + BUSWAIT) PCLKA or more | Rounded up to the nearest integer greater than $1 + (3 + \text{BUSWAIT}) \times (\text{frequency ratio of ICLK/PCLKB})^{*5}$ | USBA |
| 000D 04A2h | USBA | Pipe5 Transaction Counter Register | PIPE5TRN | 16 | 16 | (3 + BUSWAIT) PCLKA or more | Rounded up to the nearest integer greater than $1 + (3 + \text{BUSWAIT}) \times (\text{frequency ratio of ICLK/PCLKB})^{*5}$ | USBA |
| 000D 04D0h | USBA | Device Address 0 Configuration Register | DEVADD0 | 16 | 16 | (3 + BUSWAIT) PCLKA or more | Rounded up to the nearest integer greater than $1 + (3 + \text{BUSWAIT}) \times (\text{frequency ratio of ICLK/PCLKB})^{*5}$ | USBA |
| 000D 04D2h | USBA | Device Address 1 Configuration Register | DEVADD1 | 16 | 16 | (3 + BUSWAIT) PCLKA or more | Rounded up to the nearest integer greater than $1 + (3 + \text{BUSWAIT}) \times (\text{frequency ratio of ICLK/PCLKB})^{*5}$ | USBA |
| 000D 04D4h | USBA | Device Address 2 Configuration Register | DEVADD2 | 16 | 16 | (3 + BUSWAIT) PCLKA or more | Rounded up to the nearest integer greater than $1 + (3 + \text{BUSWAIT}) \times (\text{frequency ratio of ICLK/PCLKB})^{*5}$ | USBA |
| 000D 04D6h | USBA | Device Address 3 Configuration Register | DEVADD3 | 16 | 16 | (3 + BUSWAIT) PCLKA or more | Rounded up to the nearest integer greater than $1 + (3 + \text{BUSWAIT}) \times (\text{frequency ratio of ICLK/PCLKB})^{*5}$ | USBA |
| 000D 04D8h | USBA | Device Address 4 Configuration Register | DEVADD4 | 16 | 16 | (3 + BUSWAIT) PCLKA or more | Rounded up to the nearest integer greater than $1 + (3 + \text{BUSWAIT}) \times (\text{frequency ratio of ICLK/PCLKB})^{*5}$ | USBA |
| 000D 04DAh | USBA | Device Address 5 Configuration Register | DEVADD5 | 16 | 16 | (3 + BUSWAIT) PCLKA or more | Rounded up to the nearest integer greater than $1 + (3 + \text{BUSWAIT}) \times (\text{frequency ratio of ICLK/PCLKB})^{*5}$ | USBA |
| 000D 0500h | USBA | Low Power Control Register | LPCTRL | 16 | 16 | (3 + BUSWAIT) PCLKA or more | Rounded up to the nearest integer greater than $1 + (3 + \text{BUSWAIT}) \times (\text{frequency ratio of ICLK/PCLKB})^{*5}$ | USBA |
| 000D 0502h | USBA | Low Power Status Register | LPSTS | 16 | 16 | (3 + BUSWAIT) PCLKA or more | Rounded up to the nearest integer greater than $1 + (3 + \text{BUSWAIT}) \times (\text{frequency ratio of ICLK/PCLKB})^{*5}$ | USBA |
| 000D 0540h | USBA | Battery Charging Control Register | BCCTRL | 16 | 16 | (3 + BUSWAIT) PCLKA or more | Rounded up to the nearest integer greater than $1 + (3 + \text{BUSWAIT}) \times (\text{frequency ratio of ICLK/PCLKB})^{*5}$ | USBA |
| 000D 0544h | USBA | Function L1 Control Register 1 | PL1CTRL1 | 16 | 16 | (3 + BUSWAIT) PCLKA or more | Rounded up to the nearest integer greater than $1 + (3 + \text{BUSWAIT}) \times (\text{frequency ratio of ICLK/PCLKB})^{*5}$ | USBA |
| 000D 0546h | USBA | Function L1 Control Register 2 | PL1CTRL2 | 16 | 16 | (3 + BUSWAIT) PCLKA or more | Rounded up to the nearest integer greater than $1 + (3 + \text{BUSWAIT}) \times (\text{frequency ratio of ICLK/PCLKB})^{*5}$ | USBA |

Table 4.1 List of I/O Registers (Address Order) (67 / 67)

| Address | Module Symbol | Register Name | Register Symbol | Number of Bits | Access Size | Number of Access Cycles | | Related Function |
|------------|---------------|---|-----------------|----------------|-------------|--------------------------------|--|------------------|
| | | | | | | ICLK ≥ PCLK | ICLK < PCLK | |
| 000D 0548h | USBA | Host L1 Control Register 1 | HL1CTRL1 | 16 | 16 | (3 + BUSWAIT) PCLKA or more | Rounded up to the nearest integer greater than $1 + (3 + \text{BUSWAIT}) \times (\text{frequency ratio of ICLK/PCLKB})^{*5}$ | USBA |
| 000D 054Ah | USBA | Host L1 Control Register 2 | HL1CTRL2 | 16 | 16 | (3 + BUSWAIT) PCLKA or more | Rounded up to the nearest integer greater than $1 + (3 + \text{BUSWAIT}) \times (\text{frequency ratio of ICLK/PCLKB})^{*5}$ | USBA |
| 000D 0560h | USBA | Deep Standby USB Transceiver Control/Pin Monitor Register | DPUSR0R | 32 | 32 | (3 + BUSWAIT) PCLKA or more | Rounded up to the nearest integer greater than $1 + (3 + \text{BUSWAIT}) \times (\text{frequency ratio of ICLK/PCLKB})^{*5}$ | USBA |
| 000D 0564h | USBA | Deep Standby USB Suspend/Resume Interrupt Register | DPUSR1R | 32 | 32 | (3 + BUSWAIT) PCLKA or more | Rounded up to the nearest integer greater than $1 + (3 + \text{BUSWAIT}) \times (\text{frequency ratio of ICLK/PCLKB})^{*5}$ | USBA |

- Note 1. When the same output trigger is specified for pulse output groups 2 and 3 by the PPG0.PCR setting, the PPG0.NDRH address is 0008 81ECh. When different output triggers are specified, the PPG0.NDRH addresses for pulse output groups 2 and 3 are 0008 81EEh and 0008 81ECh, respectively.
- Note 2. When the same output trigger is specified for pulse output groups 0 and 1 by the PPG0.PCR setting, the PPG0.NDRL address is 0008 81EDh. When different output triggers are specified, the PPG0.NDRL addresses for pulse output groups 0 and 1 are 0008 81EFh and 0008 81EDh, respectively.
- Note 3. When the same output trigger is specified for pulse output groups 6 and 7 by the PPG1.PCR setting, the PPG1.NDRH address is 0008 81FCh. When different output triggers are specified, the PPG1.NDRH addresses for pulse output groups 6 and 7 are 0008 81FEh and 0008 81FCh, respectively.
- Note 4. When the same output trigger is specified for pulse output groups 4 and 5 by the PPG1.PCR setting, the PPG1.NDRL address is 0008 81FDh. When different output triggers are specified, the PPG1.NDRL addresses for pulse output groups 4 and 5 are 0008 81FFh and 0008 81FDh, respectively.
- Note 5. When the register is accessed while the USB is operating, a delay may be generated in accessing.
- Note 6. The address must end with 0h, 4h, 8h, or Ch when access is made in 32-bit units. The address must end with 0h, 2h, 4h, 6h, 8h, Ah, Ch, or Eh when access is made in 16-bit units.

5. Electrical Characteristics

5.1 Absolute Maximum Ratings

Table 5.1 Absolute Maximum Rating

Conditions: VSS = AVSS0 = AVSS1 = VREFL0 = VSS_USB = VSS1_USBA = VSS2_USBA = PVSS_USBA = AVSS_USBA = 0 V

| Item | Symbol | Value | Unit |
|---|-------------------|--------------------------------|------|
| Power supply voltage | VCC, VCC_USB | -0.3 to +4.6 | V |
| V _{BATT} power supply voltage | V _{BATT} | -0.3 to +4.6 | V |
| Input voltage (except for ports for 5 V tolerant*1) | V _{in} | -0.3 to VCC + 0.3 | V |
| Input voltage (ports for 5 V tolerant*1) | V _{in} | -0.3 to VCC + 4.6 (≤ 5.8 max.) | V |
| Reference power supply voltage | VREFH0 | -0.3 to AVCC0 + 0.3 | V |
| Analog power supply voltage | AVCC0, AVCC1*2 | -0.3 to +4.6 | V |
| USBA power supply voltage | VCC_USBA*2 | -0.3 to +4.6 | V |
| USBA analog power supply voltage | AVCC_USBA*2 | -0.3 to +4.6 | V |
| Analog input voltage | V _{AN} | -0.3 to AVCC + 0.3 | V |
| Operating temperature | T _{opr} | -40 to +85 | °C |
| Operating temperature (high-temperature products) | T _{opr} | -40 to +105 (Under planning) | °C |
| Storage temperature | T _{stg} | -55 to +125 | °C |

Caution: Permanent damage to the LSI may result if absolute maximum ratings are exceeded.

Note 1. Ports 07, 11 to 17, 20, 21, 30 to 33, 67, and C0 to C3 are 5 V tolerant.

Note 2. Connect the AVCC0, AVCC1, and VCC_USB pins to VCC, and the AVSS0, AVSS1, and VSS_USB pins to VSS.

When the A/D converter unit 0 is not to be used, connect the VREFH0 pin to VCC and the VREFL0 pin to VSS, respectively. Do not leave these pins open.

When the USBA is not to be used, connect the VCC_USBA and AVCC_USBA pins to VCC and the VSS1_USBA, VSS2_USBA, PVSS_USBA, and AVSS_USBA pins to VSS, respectively. Do not leave these pins open.

5.2 DC Characteristics

Table 5.2 DC Characteristics (1)

Conditions: $V_{CC} = AV_{CC0} = AV_{CC1} = V_{CC_USB} = V_{BATT} = 2.7$ to 3.6 V, $2.7 \leq V_{REFH0} \leq AV_{CC0}$,
 $V_{CC_USBA} = AV_{CC_USBA} = 3.0$ to 3.6 V,
 $V_{SS} = AV_{SS0} = AV_{SS1} = V_{REFL0} = V_{SS_USB} = V_{SS1_USBA} = V_{SS2_USBA} = PV_{SS_USBA} = AV_{SS_USBA} = 0$ V,
 $T_a = T_{opr}$

| Item | | Symbol | Min. | Typ. | Max. | Unit | Test Conditions | | | |
|---|---|--|----------------------|---------------------|--------------------------------------|------|-----------------|----------------|---|--|
| Schmitt trigger input voltage | IRQ input pin*1 MTU input pin*1 GPT input pin*1 POE3 input pin*1 TPU input pin*1 TMR input pin*1 SCI input pin*1 ADTRG# input pin*1 RES#, NMI | V_{IH} | $V_{CC} \times 0.8$ | — | $V_{CC} + 0.3$ | V | | | | |
| | | V_{IL} | -0.3 | — | $V_{CC} \times 0.2$ | | | | | |
| | | ΔV_T | $V_{CC} \times 0.06$ | — | — | | | | | |
| | RIIC input pin (except for SMBus) | V_{IH} | $V_{CC} \times 0.7$ | — | $V_{CC} + 3.6$ (≤ 5.8 max.) | | | | | |
| | | V_{IL} | -0.3 | — | $V_{CC} \times 0.3$ | | | | | |
| | | ΔV_T | $V_{CC} \times 0.05$ | — | — | | | | | |
| | Ports for 5 V tolerant*2 | V_{IH} | $V_{CC} \times 0.8$ | — | $V_{CC} + 3.6$ (≤ 5.8 max.) | | | | | |
| | | V_{IL} | -0.3 | — | $V_{CC} \times 0.2$ | | | | | |
| | Other input pins excluding ports for 5 V tolerant*3 | V_{IH} | $V_{CC} \times 0.8$ | — | $V_{CC} + 0.3$ | | | | | |
| | | V_{IL} | -0.3 | — | $V_{CC} \times 0.2$ | | | | | |
| | Input high voltage (except for Schmitt trigger input pin) | MD pin, EMLE | V_{IH} | $V_{CC} \times 0.9$ | — | | | $V_{CC} + 0.3$ | V | |
| | | EXTAL, RSPI input pin, EXDMAC input pin, WAIT#, TCK, SSI input pin, SDHI input pin, MMC input pin, PDC input pin, QSPI input pin | | $V_{CC} \times 0.8$ | — | | | $V_{CC} + 0.3$ | | |
| ETHERC input pin | | 2.3 | | — | $V_{CC} + 0.3$ | | | | | |
| D0 to D31 | | $V_{CC} \times 0.7$ | | — | $V_{CC} + 0.3$ | | | | | |
| RIIC (SMBus) | | 2.1 | | — | 5.8 | | | | | |
| | | | | | | | | | | |
| Input low voltage (except for Schmitt trigger input pin) | MD pin, EMLE | V_{IL} | -0.3 | — | $V_{CC} \times 0.1$ | V | | | | |
| | EXTAL, RSPI input pin, ETHERC input pin, EXDMAC input pin, WAIT#, TCK, SSI input pin, SDHI input pin, MMC input pin, PDC input pin, QSPI input pin | | -0.3 | — | $V_{CC} \times 0.2$ | | | | | |
| | D0 to D31 | | -0.3 | — | $V_{CC} \times 0.3$ | | | | | |
| | RIIC (SMBus) | | -0.3 | — | 0.8 | | | | | |
| | | | | | | | | | | |

Note 1. This does not include the pins, which are multiplexed as ports for 5 V tolerant.

Note 2. Ports 07, 11 to 17, 20, 21, 30 to 33, 67, and C0 to C3 are 5 V tolerant.

Note 3. For P32, P31, and P30, input as follows when the V_{BATT} power supply is selected.

V_{IH} Min. = $V_{BATT} \times 0.8$, V_{IH} Max. = $V_{BATT} + 0.3$, V_{IL} Min. = -0.3, V_{IL} Max. = $V_{BATT} \times 0.2$ ($V_{BATT} = 2.0$ to 3.6 V)

Table 5.3 DC Characteristics (2)

Conditions: $V_{CC} = AV_{CC0} = AV_{CC1} = V_{CC_USB} = V_{BATT} = 2.7$ to 3.6 V, $2.7 \leq V_{REFH0} \leq AV_{CC0}$,
 $V_{CC_USBA} = AV_{CC_USBA} = 3.0$ to 3.6 V,
 $V_{SS} = AV_{SS0} = AV_{SS1} = V_{REFL0} = V_{SS_USB} = V_{SS1_USBA} = V_{SS2_USBA} = PV_{SS_USBA} = AV_{SS_USBA} = 0$ V,
 $T_a = T_{opr}$

| Item | Symbol | Min. | Typ. | Max. | Unit | Test Conditions |
|--|--|-------------|----------------|--|------------------------|---|
| Output high voltage | All output pins | V_{OH} | $V_{CC} - 0.5$ | — | — | V $I_{OH} = -1$ mA |
| Output low voltage | All output pins (except for RIIC pins and ETHERC output pin) | V_{OL} | — | — | 0.5 | V $I_{OL} = 1.0$ mA |
| | RIIC output pin | | — | — | 0.4 | $I_{OL} = 3.0$ mA |
| | | | — | — | 0.6 | $I_{OL} = 6.0$ mA |
| | RIIC output pin (only P12 and P13 in channel 0) | V_{OL} | — | — | 0.4 | V $I_{OL} = 15.0$ mA (ICFER.FMPE = 1) |
| — | 0.4 | | — | $I_{OL} = 20.0$ mA (ICFER.FMPE = 1) | | |
| ETHERC output pin | V_{OL} | — | — | 0.4 | V $I_{OL} = 1.0$ mA | |
| Input leakage current | RES#, MD pin, EMLE*1, BSCANP*1, NMI | $ I_{in} $ | — | — | 1.0 | μ A $V_{in} = 0$ V $V_{in} = V_{CC}$ |
| Three-state leakage current (off state) | Other than ports for 5 V tolerant | $ I_{TSI} $ | — | — | 1.0 | μ A $V_{in} = 0$ V $V_{in} = V_{CC}$ |
| | Ports for 5 V tolerant | | — | — | 5.0 | μ A $V_{in} = 0$ V $V_{in} = 5.5$ V |
| Input pull-up MOS current | Ports 0 to 2, 30 to 34, 36, 37, 4 to G, J3, J5 | I_p | -300 | — | -10 | μ A $V_{CC} = 2.7$ to 3.6 V $V_{in} = 0$ V |
| Input pull-down MOS current | EMLE, BSCANP | I_p | 10 | — | 300 | μ A $V_{in} = V_{CC}$ |
| Input capacitance | All input pins (except for ports 03, 05, 12, 13, 16, 17, EMLE, BSCANP, USB0_DP, USB0_DM, USBA_DP, and USBA_DM) | C_{in} | — | — | 8 | μ F $V_{bias} = 0$ V $V_{amp} = 20$ mV $f = 1$ MHz $T_a = 25^\circ$ C |
| | Ports 03, 05, 12, 13, 16, 17, EMLE, BSCANP, USB0_DP, USB0_DM, USBA_DP, and USBA_DM | | — | — | 16 | |

Note 1. The input leakage current value at the EMLE and BSCANP pins are only when $V_{in} = 0$ V.

Table 5.4 DC Characteristics (3)

Conditions: $V_{CC} = AV_{CC0} = AV_{CC1} = V_{REFH0} = V_{CC_USB} = 2.7$ to 3.6 V, $2.7 \leq V_{REFH0} \leq AV_{CC0}$,
 $V_{CC_USBA} = AV_{CC_USBA} = 3.0$ to 3.6 V,
 $V_{SS} = AV_{SS0} = AV_{SS1} = V_{REFL0} = V_{SS_USB} = V_{SS1_USBA} = V_{SS2_USBA} = PV_{SS_USBA} = AV_{SS_USBA} = 0$ V,
 $T_a = T_{opr}$

| Item | | Symbol | Min. | Typ. | Max. | Unit | Test Conditions | | | | |
|--|---|---|--|--|---------------------------------------|---------------------------------------|---|-----------------------|------|---------|--|
| Supply current*1 | Max.*2 | I_{CC}^{*3} | — | — | 110 | mA | ICLK = 120 MHz PCLKA = 120 MHz PCLKB = 60 MHz PCLKC = 60 MHz PCLKD = 60 MHz FCLK = 60 MHz BCLK = 120 MHz BCLK pin = 60 MHz | | | | |
| | Normal | | Peripheral function clock signal supplied*4 | — | 39 | | | — | | | |
| | | | Peripheral function clock signal stopped*4 | — | 16 | | | — | | | |
| | Coremark | | Peripheral function clock signal stopped*4 | — | 21 | | | — | | | |
| | Sleep mode: Supply of the clock signal to peripheral modules is stopped*4 | | — | 32 | 61 | | | | | | |
| | All-module-clock-stop mode (reference value) | | — | 10 | 28 | | | | | | |
| | Increased by BGO operation*5 | | Reading from the code flash memory while the data flash memory is being programmed | — | 7 | | | — | | | |
| | | | Reading from the code flash memory while the code flash memory is being programmed | — | 10 | | | — | | | |
| | Low-speed operating mode 1: Supply of the clock signal to peripheral modules is stopped*4 | | — | 3 | — | | | All clocks 1 MHz | | | |
| | Low-speed operating mode 2: Supply of the clock signal to peripheral modules is stopped*4 | | — | 1.2 | — | | | All clocks 32.768 kHz | | | |
| | Software standby mode | | — | 0.7 | 10 | | | | | | |
| | Deep software standby mode | | Power supplied to standby RAM and USB resume detecting unit (USB0 only) | | — | | | 22 | 63 | μ A | |
| | | | Power not supplied to standby RAM and USB resume detecting unit (USB0 only) | Power-on reset circuit and low-power consumption function disabled*6 | — | | | 12.5 | 26 | | |
| | | | | Power-on reset circuit and low-power consumption function enabled*7 | — | | | 3.1 | 13.5 | | |
| Increased by RTC operation | | When a crystal resonator for low clock loads is in use | — | 0.6 | — | | | | | | |
| | | When a crystal resonator for standard clock loads is in use | — | 2.0 | — | | | | | | |
| RTC operating while VCC is off (with the battery backup function, only the RTC and sub-clock oscillator operate) | | When a crystal resonator for low clock loads is in use | — | 0.9 | — | $V_{BATT} = 2.0$ V, $V_{CC} = 0$ V | | | | | |
| | — | | 1.6 | — | $V_{BATT} = 3.3$ V, $V_{CC} = 0$ V | | | | | | |
| | When a crystal resonator for standard clock loads is in use | — | 1.7 | — | $V_{BATT} = 2.0$ V, $V_{CC} = 0$ V | | | | | | |
| | | — | 3.3 | — | $V_{BATT} = 3.3$ V, $V_{CC} = 0$ V | | | | | | |

Note 1. Supply current values are with all output pins unloaded and all input pull-up MOSs in the off state.

Note 2. Supply of the clock signal to peripheral modules is stopped in this state. This does not include operations as BGO (background operations).

Note 3. I_{CC} depends on f (ICLK) as follows. (ICLK/PCLKA:PCLKB/PCLKC/PCLKD:BCLK:BCLK pin = 10:5:10:5 when EXTAL = 12 MHz)
 I_{CC} Max. = $0.77 \times f + 18$ (max. operation in high-speed operating mode)
 I_{CC} Typ. = $0.08 \times f + 6$ (normal operation in high-speed operating mode)
 I_{CC} Typ. = $0.5 \times f + 2.6$ (low-speed operating mode 1)
 I_{CC} Max. = $0.36 \times f + 18$ (sleep mode)

Note 4. This does not include operations as BGO (background operations). Whether supply of the clock signal to peripheral modules continues or is stopped only depends on the state determined by the settings of the bits in module stop control registers A to D. The setting for the peripheral module clock stopped state is FCLK = BCLK = PCLKA = PCLKB = PCLKC = PCLKD = BCLK pin = 3.75 MHz (division by 64).

Note 5. This is the increase for programming or erasure of the code flash memory (limitations apply to the combinations of ranges in which writing proceed) or data flash memory during program execution in the code flash memory.

Note 6. The low power consumption function is disabled and DEEPCUT[1:0] = 01b.

Note 7. The low power consumption function is enabled and DEEPCUT[1:0] = 11b.

Table 5.5 DC Characteristics (4)

Conditions: $VCC = AVCC0 = AVCC1 = VREFH0 = VCC_USB = 2.7$ to 3.6 V, $2.7 \leq VREFH0 \leq AVCC0$,
 $VCC_USBA = AVCC_USBA = 3.0$ to 3.6 V,
 $VSS = AVSS0 = AVSS1 = VREFL0 = VSS_USB = VSS1_USBA = VSS2_USBA = PVSS_USBA = AVSS_USBA = 0$ V,
 $T_a = T_{opr}$

| Item | | Symbol | Min. | Typ. | Max. | Unit | Test Conditions | | |
|--|--|------------|--------------------|-----------------|--|------|--|--|--|
| Analog power supply current*1 | During 12-bit A/D conversion (unit 0) | I_{CC} | — | 0.7 | 1.0 | mA | I _{AVCC0_AD} | | |
| | During 12-bit A/D conversion (unit 0) with the channel-dedicated sample-and-hold circuits for 3 channels operating | | — | 1.7 | 2.5 | mA | I _{AVCC0_AD+SH} | | |
| | During 12-bit A/D conversion (unit 1) | | — | 0.6 | 1.0 | mA | I _{AVCC1_AD} | | |
| | During 12-bit A/D conversion (unit 1) with the temperature sensor operating | | — | 0.7 | 1.1 | mA | I _{AVCC1_AD+TEMP} | | |
| | During D/A conversion (per unit) | | Without AMP output | — | 0.24 | 0.4 | mA | I _{AVCC1_DA} | |
| | | | With AMP output | — | 0.4 | 0.7 | mA | | |
| | Waiting for A/D, D/A, or temperature sensor conversion (all units) | | — | 0.9 | 1.4 | mA | I _{AVCC0 + I_{AVCC1}} | | |
| A/D, D/A converter, temperature sensor in standby mode (all units) | — | 1.3 | 3.0 | μA | I _{AVCC0 + I_{AVCC1}} | | | | |
| Reference power supply current | During 12-bit A/D conversion (unit 0) | I_{REFH} | — | 70 | 120 | μA | I _{VREFH0} | | |
| | Waiting for 12-bit A/D conversion (unit 0) | | — | 0.07 | 0.4 | μA | I _{VREFH0} | | |
| | 12-bit A/D converter in standby mode (unit 0) | | — | 0.07 | 0.2 | μA | I _{VREFH0} | | |
| USB operating current | Low speed | USB0 | $I_{CCUSBLS}$ | — | 3.5 | 6.5 | mA | V _{CC_USB} | |
| | | USBA | | — | 8.5 | 12.0 | mA | V _{CC_USBA} = AV _{CC_USBA} (PHYSET.HSEB = 0) | |
| | | USBA | | — | 2.8 | 3.6 | mA | V _{CC_USBA} = AV _{CC_USBA} (PHYSET.HSEB = 1) | |
| | Full speed | USB0 | | $I_{CCUSBFS}$ | — | 4.0 | 10.0 | mA | V _{CC_USB} |
| | | USBA | | | — | 12.0 | 20.0 | mA | V _{CC_USBA} = AV _{CC_USBA} (PHYSET.HSEB = 0) |
| | | USBA | | | — | 6.5 | 13.0 | mA | V _{CC_USBA} = AV _{CC_USBA} (PHYSET.HSEB = 1) |
| | Standby mode (direct power down) | USBA | | $I_{CCUSBSTBY}$ | — | 0.1 | 3.0 | μA | V _{CC_USBA} = AV _{CC_USBA} |
| | RAM standby voltage | | | V_{RAM} | 2.7 | — | — | V | |
| | VCC rising gradient | | | $SrVCC$ | 8.4 | — | 20000 | μs/V | |
| VCC falling gradient*2 | | $SfVCC$ | 8.4 | — | — | μs/V | | | |

Note 1. The reference power supply current is included in the power supply current value for 12-bit A/D conversion (unit 1) and D/A conversion.

Note 2. This applies when V_{BATT} is used.

Table 5.6 Permissible Output Currents

Conditions: $V_{CC} = AVCC0 = AVCC1 = VCC_USB = V_{BATT} = 2.7$ to 3.6 V, $2.7 \leq VREFH0 \leq AVCC0$,
 $VCC_USBA = AVCC_USBA = 3.0$ to 3.6 V,
 $VSS = AVSS0 = AVSS1 = VREFL0 = VSS_USB = VSS1_USBA = VSS2_USBA = PVSS_USBA = AVSS_USBA = 0$ V,
 $T_a = T_{opr}$

| Item | | Symbol | Min. | Typ. | Max. | Unit | |
|--|--------------------------|--------------|-----------------|------|------|------|----|
| Permissible output low current (average value per pin) | All output pins*1 | Normal drive | I_{OL} | — | — | 2.0 | mA |
| | All output pins*2 | High drive | I_{OL} | — | — | 3.8 | mA |
| Permissible output low current (max. value per pin) | All output pins*1 | Normal drive | I_{OL} | — | — | 4.0 | mA |
| | All output pins*2 | High drive | I_{OL} | — | — | 7.6 | mA |
| Permissible output low current (total) | Total of all output pins | | ΣI_{OL} | — | — | 80 | mA |
| Permissible output high current (average value per pin) | All output pins*1 | Normal drive | I_{OH} | — | — | -2.0 | mA |
| | USB_DPUPE pin*2 | High drive | I_{OH} | — | — | -3.8 | mA |
| Permissible output high current (max. value per pin) | All output pins*1 | Normal drive | I_{OH} | — | — | -4.0 | mA |
| | All output pins*2 | High drive | I_{OH} | — | — | -7.6 | mA |
| Permissible output high current (total) | Total of all output pins | | ΣI_{OH} | — | — | -80 | mA |

Caution: To protect the LSI's reliability, the output current values should not exceed the values in this table.

Note 1. This is the value when normal driving ability is set with a pin for which normal driving ability is selectable.

Note 2. This is the value when high driving ability is set with a pin for which normal driving ability is selectable or the value of the pin to which high driving ability is fixed.

5.3 AC Characteristics

Table 5.7 Operating Frequency (High-Speed Operating Mode)

Conditions: $VCC = AVCC0 = AVCC1 = VCC_USB = V_{BATT} = 2.7$ to 3.6 V, $2.7 \leq VREFH0 \leq AVCC0$,
 $VCC_USBA = AVCC_USBA = 3.0$ to 3.6 V,
 $VSS = AVSS0 = AVSS1 = VREFL0 = VSS_USB = VSS1_USBA = VSS2_USBA = PVSS_USBA = AVSS_USBA = 0$ V,
 $T_a = T_{opr}$

| Item | | Symbol | Min. | Typ. | Max. | Unit | |
|---------------------|---------------------------------|------------------------------------|------|------|------|------|-----|
| Operating frequency | System clock (ICKLK) | f | — | — | 120 | MHz | |
| | Peripheral module clock (PCLKA) | | — | — | 120 | | |
| | Peripheral module clock (PCLKB) | | — | — | 60 | | |
| | Peripheral module clock (PCLKC) | | — | — | 60 | | |
| | Peripheral module clock (PCLKD) | | — | — | 60 | | |
| | Flash-IF clock (FCLK) | | —*1 | — | 60 | | |
| | External bus clock (BCLK) | Packages with 177 to 144 pins only | | — | — | | 120 |
| | | Package with 100 pins only | | — | — | | 60 |
| | BCLK pin output | Packages with 177 to 144 pins only | | — | — | | 60 |
| | | Package with 100 pins only | | — | — | | 30 |
| | SDRAM clock (SDCLK) | Packages with 177 to 144 pins only | | — | — | | 60 |
| | SDCLK pin output | Packages with 177 to 144 pins only | | — | — | | 60 |

Note 1. The FCLK must run at a frequency of at least 4 MHz when changing the flash memory contents.

Table 5.8 Operating Frequency (Low-Speed Operating Mode 1)

Conditions: $VCC = AVCC0 = AVCC1 = VCC_USB = V_{BATT} = 2.7$ to 3.6 V, $2.7 \leq VREFH0 \leq AVCC0$,
 $VCC_USBA = AVCC_USBA = 3.0$ to 3.6 V,
 $VSS = AVSS0 = AVSS1 = VREFL0 = VSS_USB = VSS1_USBA = VSS2_USBA = PVSS_USBA = AVSS_USBA = 0$ V,
 $T_a = T_{opr}$

| Item | | Symbol | Min. | Typ. | Max. | Unit | |
|---------------------|-----------------------------------|------------------------------------|------|------|------|------|---|
| Operating frequency | System clock (ICKLK) | f | — | — | 1 | MHz | |
| | Peripheral module clock (PCLKA) | | — | — | 1 | | |
| | Peripheral module clock (PCLKB) | | — | — | 1 | | |
| | Peripheral module clock (PCLKC)*1 | | — | — | 1 | | |
| | Peripheral module clock (PCLKD)*1 | | — | — | 1 | | |
| | Flash-IF clock (FCLK) | | — | — | 1 | | |
| | External bus clock (BCLK) | Packages with 177 to 144 pins only | | — | — | | 1 |
| | | Package with 100 pins only | | — | — | | 1 |
| | BCLK pin output | Packages with 177 to 144 pins only | | — | — | | 1 |
| | | Package with 100 pins only | | — | — | | 1 |
| | SDRAM clock (SDCLK) | Packages with 177 to 144 pins only | | — | — | | 1 |
| | SDCLK pin output | Packages with 177 to 144 pins only | | — | — | | 1 |

Note 1. When the 12-bit A/D converter is used, the frequency must be set to at least 1 MHz.

Table 5.9 Operating Frequency (Low-Speed Operating Mode 2)

Conditions: $VCC = AVCC0 = AVCC1 = VCC_USB = V_{BATT} = 2.7$ to 3.6 V, $2.7 \leq VREFH0 \leq AVCC0$,
 $VCC_USBA = AVCC_USBA = 3.0$ to 3.6 V,
 $VSS = AVSS0 = AVSS1 = VREFL0 = VSS_USB = VSS1_USBA = VSS2_USBA = PVSS_USBA = AVSS_USBA = 0$ V,
 $T_a = T_{opr}$

| Item | | Symbol | Min. | Typ. | Max. | Unit | |
|---------------------|-----------------------------------|--------|------------------------------------|------|------|------|-----|
| Operating frequency | System clock (ICLK) | f | 32 | — | 264 | kHz | |
| | Peripheral module clock (PCLKA) | | — | — | 264 | | |
| | Peripheral module clock (PCLKB) | | — | — | 264 | | |
| | Peripheral module clock (PCLKC)*1 | | — | — | 264 | | |
| | Peripheral module clock (PCLKD)*1 | | — | — | 264 | | |
| | Flash-IF clock (FCLK) | | 32 | — | 264 | | |
| | External bus clock (BCLK) | | Packages with 177 to 144 pins only | — | — | | 264 |
| | | | Package with 100 pins only | — | — | | 264 |
| | BCLK pin output | | Packages with 177 to 144 pins only | — | — | | 264 |
| | | | Package with 100 pins only | — | — | | 264 |
| | SDRAM clock (SDCLK) | | Packages with 177 to 144 pins only | — | — | | 264 |
| | SDCLK pin output | | Packages with 177 to 144 pins only | — | — | | 264 |

Note 1. The 12-bit A/D converter cannot be used.

5.3.1 Reset Timing

Table 5.10 Reset Timing

Conditions: $VCC = AVCC0 = AVCC1 = VCC_USB = V_{BATT} = 2.7$ to 3.6 V, $2.7 \leq VREFH0 \leq AVCC0$,
 $VCC_USBA = AVCC_USBA = 3.0$ to 3.6 V,
 $VSS = AVSS0 = AVSS1 = VREFL0 = VSS_USB = VSS1_USBA = VSS2_USBA = PVSS_USBA = AVSS_USBA = 0$ V,
 $T_a = T_{opr}$

| Item | | Symbol | Min. | Typ. | Max. | Unit | Test Conditions |
|--|---|-------------|------|------|------|------------|-----------------|
| RES# pulse width | Power-on | t_{RESWP} | 1 | — | — | ms | Figure 5.1 |
| | Deep software standby mode | t_{RESWD} | 0.6 | — | — | ms | Figure 5.2 |
| | Software standby mode, low-speed operating mode 2 | t_{RESWS} | 0.3 | — | — | ms | |
| | Programming or erasure of the code flash memory, or programming, erasure or blank checking of the data flash memory | t_{RESWF} | 200 | — | — | μ s | |
| | Other than above | t_{RESW} | 200 | — | — | μ s | |
| Waiting time after release from the RES# pin reset | | t_{RESWT} | 62 | — | 63 | t_{Lcyc} | Figure 5.1 |
| Internal reset time (independent watchdog timer reset, watchdog timer reset, software reset) | | t_{RESW2} | 108 | — | 116 | t_{Lcyc} | |

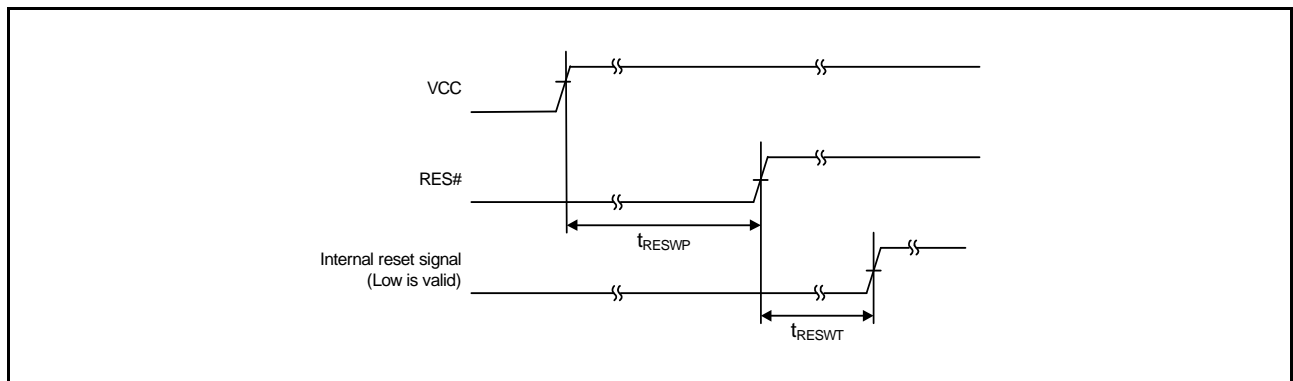


Figure 5.1 Reset Input Timing at Power-On

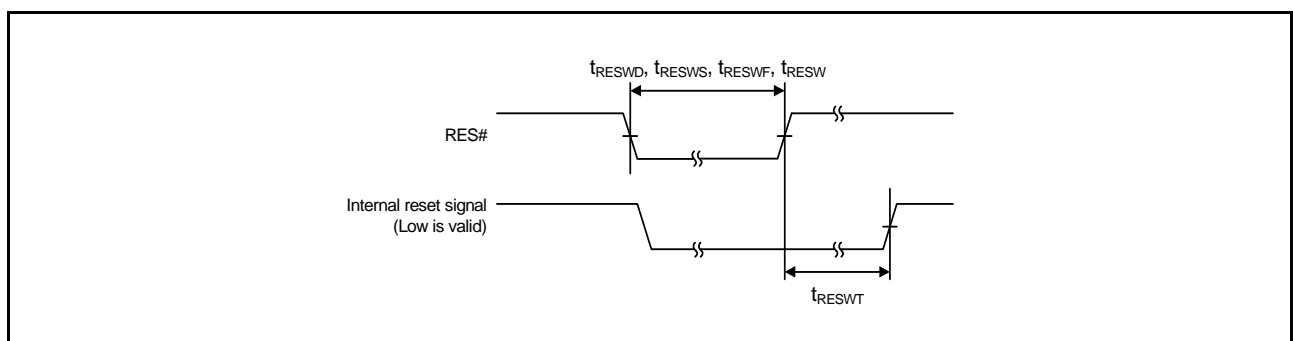


Figure 5.2 Reset Input Timing

5.3.2 Clock Timing

Table 5.11 BCLK Pin Output, SDCLK Pin Output Clock Timing

Conditions: $VCC = AVCC0 = AVCC1 = VCC_USB = V_{BATT} = 2.7$ to 3.6 V, $2.7 \leq VREFH0 \leq AVCC0$,
 $VCC_USBA = AVCC_USBA = 3.0$ to 3.6 V,
 $VSS = AVSS0 = AVSS1 = VREFL0 = VSS_USB = VSS1_USBA = VSS2_USBA = PVSS_USBA = AVSS_USBA = 0$ V,
 $T_a = T_{opr}$

| Item | Symbol | Min. | Typ. | Max. | Unit | Test Conditions | |
|-----------------------------------|------------|----------|------|------|------|-----------------|----|
| BCLK pin output cycle time | t_{Bcyc} | 16.6 | — | — | ns | Figure 5.3 | |
| | | 33.2 | — | — | ns | | |
| BCLK pin output high pulse width | t_{CH} | 3.3 | — | — | ns | | |
| BCLK pin output low pulse width | t_{CL} | 3.3 | — | — | ns | | |
| BCLK pin output rising time | t_{Cr} | — | — | 5 | ns | | |
| BCLK pin output falling time | t_{Cf} | — | — | 5 | ns | | |
| SDCLK pin output cycle time | t_{Bcyc} | 16.6 | — | — | ns | Figure 5.3 | |
| SDCLK pin output high pulse width | | t_{CH} | 3.3 | — | — | | ns |
| SDCLK pin output low pulse width | | t_{CL} | 3.3 | — | — | | ns |
| SDCLK pin output rising time | | t_{Cr} | — | — | 5 | | ns |
| SDCLK pin output falling time | | t_{Cf} | — | — | 5 | | ns |

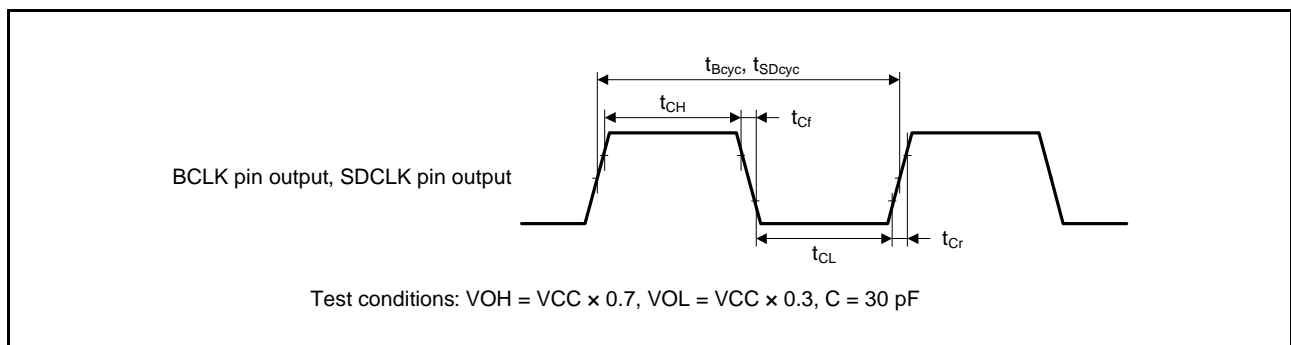
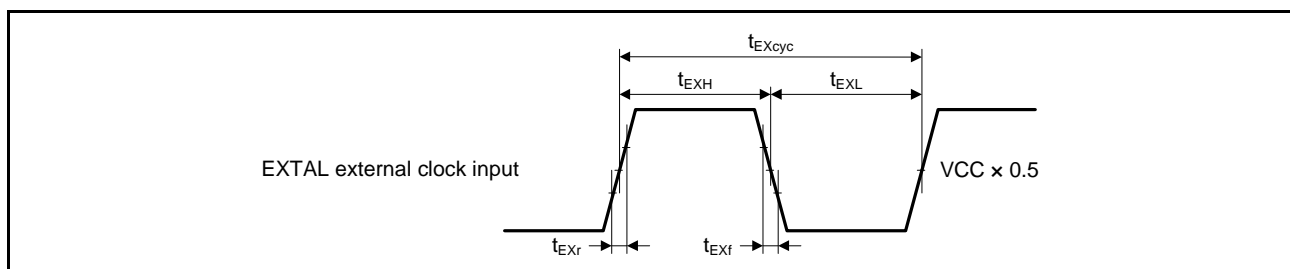


Figure 5.3 BCLK Pin and SDCLK Pin Output Timing

Table 5.12 EXTAL Clock Timing

Conditions: $V_{CC} = AVCC0 = AVCC1 = V_{CC_USB} = V_{BATT} = 2.7$ to 3.6 V, $2.7 \leq V_{REFH0} \leq AVCC0$,
 $V_{CC_USBA} = AVCC_USBA = 3.0$ to 3.6 V,
 $V_{SS} = AVSS0 = AVSS1 = V_{REFL0} = V_{SS_USB} = V_{SS1_USBA} = V_{SS2_USBA} = PVSS_USBA = AVSS_USBA = 0$ V,
 $T_a = T_{opr}$

| Item | Symbol | Min. | Typ. | Max. | Unit | Test Conditions |
|---|-------------|-------|------|------|------|-----------------|
| EXTAL external clock input cycle time | t_{EXcyc} | 41.66 | — | — | ns | Figure 5.4 |
| EXTAL external clock input high pulse width | t_{EXH} | 15.83 | — | — | ns | |
| EXTAL external clock input low pulse width | t_{EXL} | 15.83 | — | — | ns | |
| EXTAL external clock rising time | t_{EXr} | — | — | 5 | ns | |
| EXTAL external clock falling time | t_{EXf} | — | — | 5 | ns | |

**Figure 5.4 EXTAL External Clock Input Timing****Table 5.13 Main Clock Timing**

Conditions: $V_{CC} = AVCC0 = AVCC1 = V_{CC_USB} = V_{BATT} = 2.7$ to 3.6 V, $2.7 \leq V_{REFH0} \leq AVCC0$,
 $V_{CC_USBA} = AVCC_USBA = 3.0$ to 3.6 V,
 $V_{SS} = AVSS0 = AVSS1 = V_{REFL0} = V_{SS_USB} = V_{SS1_USBA} = V_{SS2_USBA} = PVSS_USBA = AVSS_USBA = 0$ V,
 $T_a = T_{opr}$

| Item | Symbol | Min. | Typ. | Max. | Unit | Test Conditions |
|---|-----------------|------|------|------|------|-----------------|
| Main clock oscillation frequency | f_{MAIN} | 8 | — | 24 | MHz | |
| Main clock oscillator stabilization time (crystal) | $t_{MAINOSC}$ | — | — | —*1 | ms | Figure 5.5 |
| Main clock oscillator stabilization wait time (crystal) | $t_{MAINOSCWT}$ | — | — | —*2 | ms | |

Note 1. When using a main clock, ask the manufacturer of the oscillator to evaluate its oscillation. Refer to the results of evaluation provided by the manufacturer for the oscillation stabilization time.

Note 2. The number of cycles selected by the value of the $MOSCWTCR.MSTS[7:0]$ bits determines the main clock oscillation stabilization wait time in accord with the formula below.

$$t_{MAINOSCWT} = [(MSTS[7:0] \text{ bits} \times 32) + 10] / f_{LOCO}$$

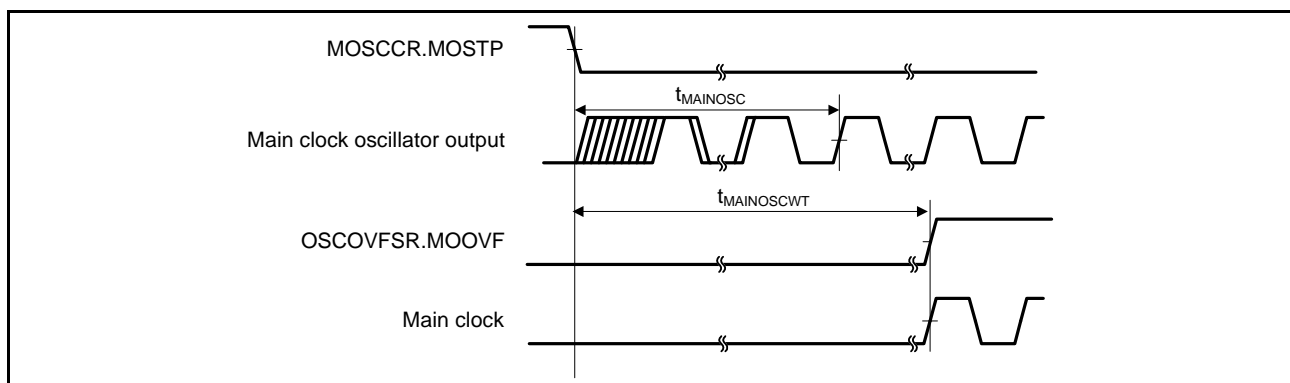
**Figure 5.5 Main Clock Oscillation Start Timing**

Table 5.14 LOCO and IWDT-Dedicated Low-Speed Clock Timing

Conditions: $VCC = AVCC0 = AVCC1 = VCC_USB = V_{BATT} = 2.7$ to 3.6 V, $2.7 \leq VREFH0 \leq AVCC0$,
 $VCC_USBA = AVCC_USBA = 3.0$ to 3.6 V,
 $VSS = AVSS0 = AVSS1 = VREFL0 = VSS_USB = VSS1_USBA = VSS2_USBA = PVSS_USBA = AVSS_USBA = 0$ V,
 $T_a = T_{opr}$

| Item | Symbol | Min. | Typ. | Max. | Unit | Test Conditions |
|--|---------------|------|------|------|---------|-----------------|
| LOCO clock cycle time | t_{Lcyc} | 4.63 | 4.16 | 3.78 | μs | |
| LOCO clock oscillation frequency | f_{LOCO} | 216 | 240 | 264 | kHz | |
| LOCO clock oscillation stabilization wait time | t_{LOCOWT} | — | — | 44 | μs | Figure 5.6 |
| IWDT-dedicated low-speed clock cycle time | t_{iLcyc} | 9.26 | 8.33 | 7.57 | μs | |
| IWDT-dedicated low-speed clock oscillation frequency | f_{iLOCO} | 108 | 120 | 132 | kHz | |
| IWDT-dedicated low-speed clock oscillation stabilization wait time | $t_{iLOCOWT}$ | — | 142 | 190 | μs | Figure 5.7 |

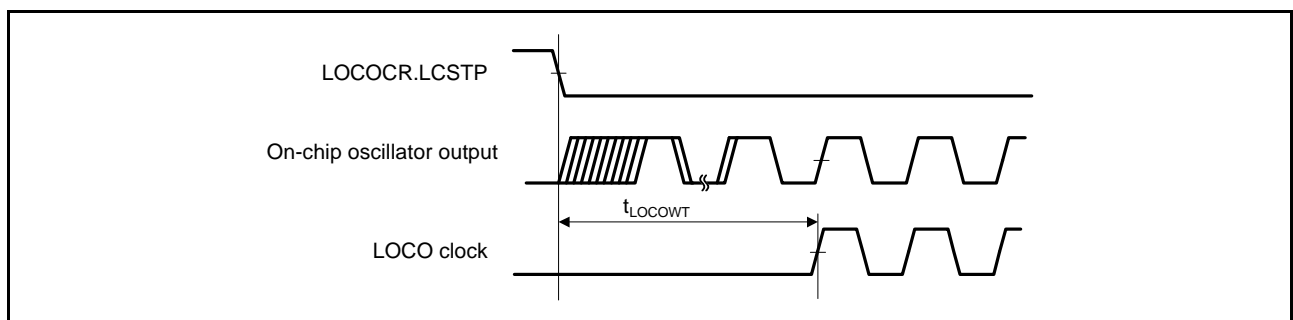


Figure 5.6 LOCO Clock Oscillation Start Timing

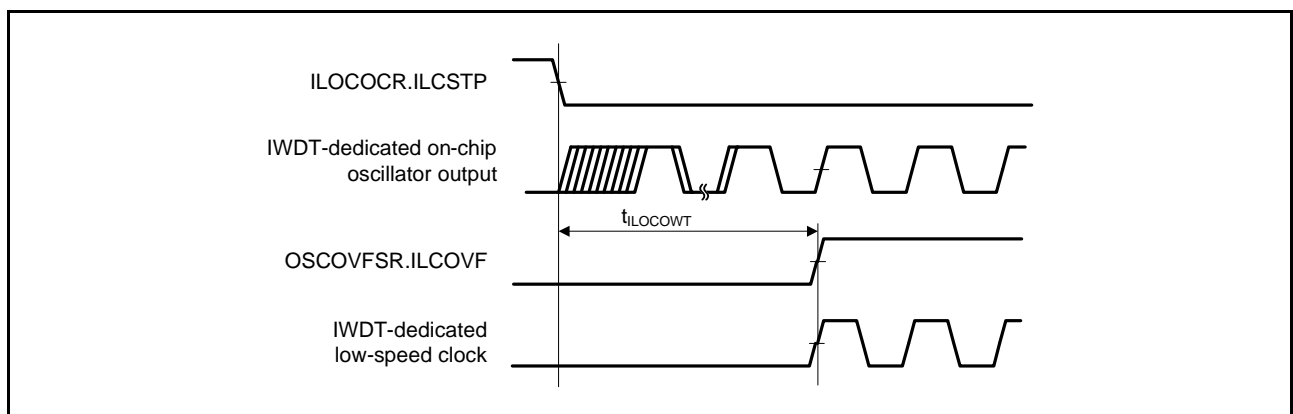


Figure 5.7 IWDT-dedicated Low-Speed Clock Oscillation Start Timing

Table 5.15 HOCO Clock Timing

Conditions: $VCC = AVCC0 = AVCC1 = VCC_USB = V_{BATT} = 2.7$ to 3.6 V, $2.7 \leq VREFH0 \leq AVCC0$,
 $VCC_USBA = AVCC_USBA = 3.0$ to 3.6 V,
 $VSS = AVSS0 = AVSS1 = VREFL0 = VSS_USB = VSS1_USBA = VSS2_USBA = PVSS_USBA = AVSS_USBA = 0$ V,
 $T_a = T_{opr}$

| Item | Symbol | Min. | Typ. | Max. | Unit | Test Conditions |
|--|--------------|--|-------|-------|---------------|--|
| HOCO clock oscillation frequency | f_{HOCO} | 15.61 | 16 | 16.39 | MHz | $-20^{\circ}\text{C} \leq T_a \leq 85^{\circ}\text{C}$ |
| | | 17.56 | 18 | 18.44 | MHz | |
| | | 19.52 | 20 | 20.48 | MHz | |
| | | $-40^{\circ}\text{C} \leq T_a < -20^{\circ}\text{C}$ | 15.52 | 16 | 16.48 | MHz |
| | | | 17.46 | 18 | 18.54 | MHz |
| | | | 19.40 | 20 | 20.60 | MHz |
| HOCO clock oscillation stabilization wait time | t_{HOCOWT} | — | 105 | 149 | μs | Figure 5.8 |
| HOCO clock power supply stabilization time | t_{HOCOP} | — | — | 150 | μs | Figure 5.9 |

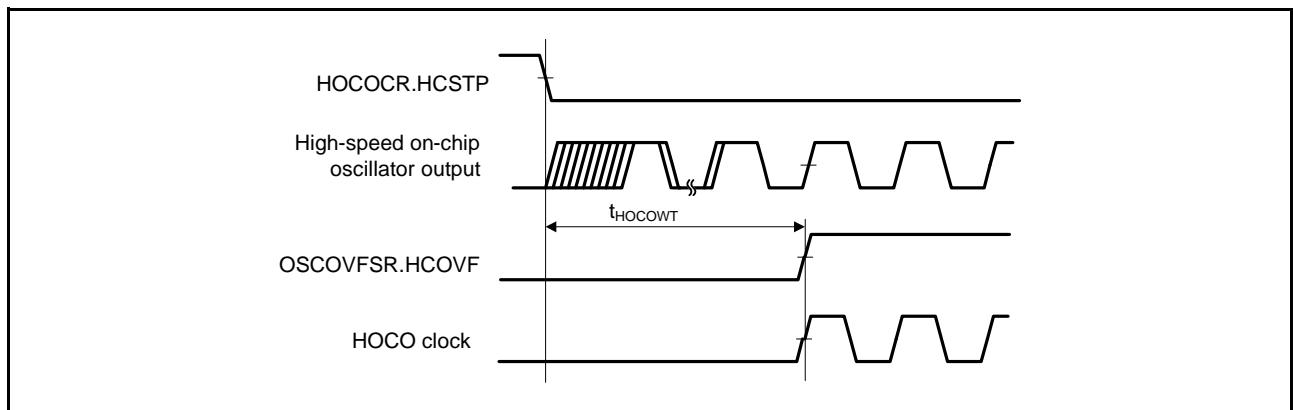


Figure 5.8 HOCO Clock Oscillation Start Timing (Oscillation is Started by Setting the HOCO CR.HCSTP Bit)

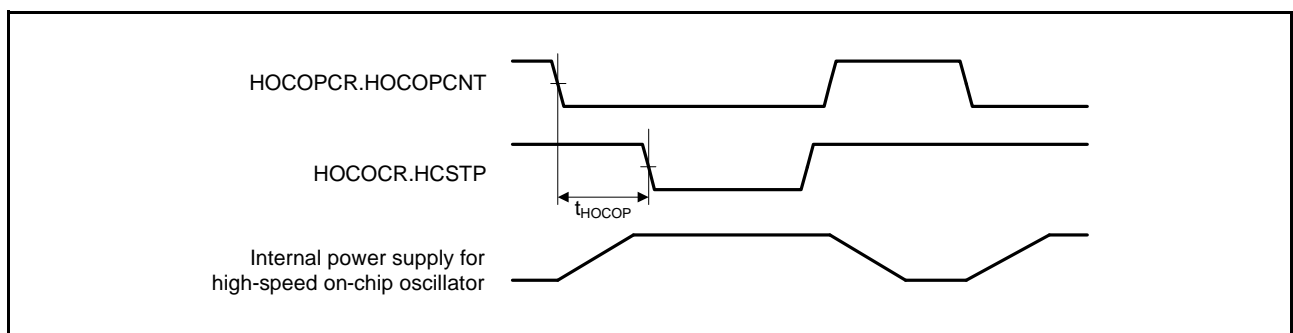


Figure 5.9 High-Speed On-Chip Oscillator Power Supply Control Timing

Table 5.16 PLL Clock Timing

Conditions: $V_{CC} = AVCC0 = AVCC1 = V_{CC_USB} = V_{BATT} = 2.7$ to 3.6 V, $2.7 \leq V_{REFH0} \leq AVCC0$,
 $V_{CC_USBA} = AVCC_USBA = 3.0$ to 3.6 V,
 $V_{SS} = AVSS0 = AVSS1 = V_{REFL0} = V_{SS_USB} = V_{SS1_USBA} = V_{SS2_USBA} = PV_{SS_USBA} = AV_{SS_USBA} = 0$ V,
 $T_a = T_{opr}$

| Item | Symbol | Min. | Typ. | Max. | Unit | Test Conditions |
|---|-------------|------|------|------|---------|-----------------|
| PLL clock oscillation frequency | f_{PLL} | 120 | — | 240 | MHz | |
| PLL clock oscillation stabilization wait time | t_{PLLWT} | — | 259 | 320 | μ s | Figure 5.10 |

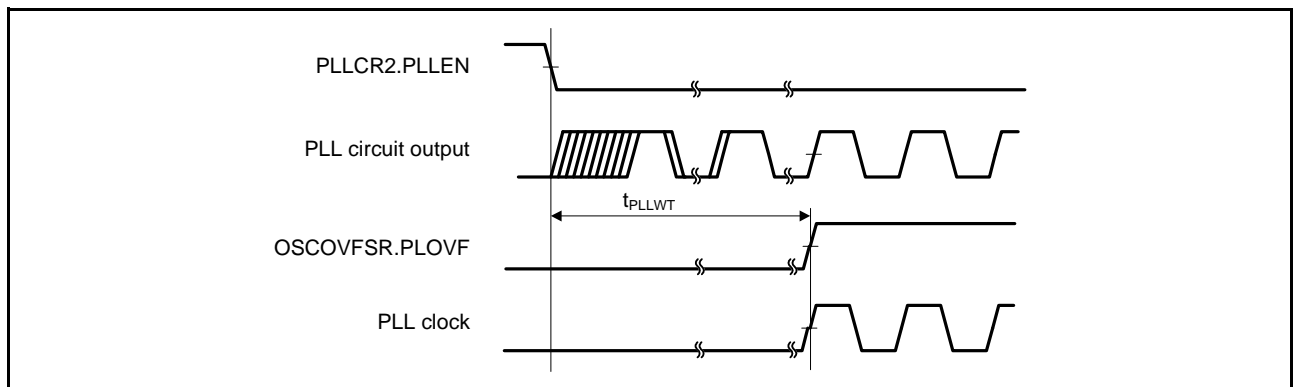


Figure 5.10 PLL Clock Oscillation Start Timing

Table 5.17 Sub-Clock Timing

Conditions: $V_{CC} = AVCC0 = AVCC1 = V_{CC_USB} = 2.7$ to 3.6 V, $2.7 \leq V_{REFH0} \leq AVCC0$,
 $V_{CC_USBA} = AVCC_USBA = 3.0$ to 3.6 V,
 $V_{SS} = AVSS0 = AVSS1 = V_{REFL0} = V_{SS_USB} = V_{SS1_USBA} = V_{SS2_USBA} = PV_{SS_USBA} = AV_{SS_USBA} = 0$ V,
 $V_{BATT} = 2.0$ to 3.6 V, $T_a = T_{opr}$

| Item | Symbol | Min. | Typ. | Max. | Unit | Test Conditions |
|---|----------------|------|--------|------|------|-----------------|
| Sub-clock oscillation frequency | f_{SUB} | — | 32.768 | — | kHz | |
| Sub-clock oscillation stabilization time | t_{SUBOSC} | — | — | *1 | s | Figure 5.11 |
| Sub-clock oscillation stabilization wait time | $t_{SUBOSCWT}$ | — | — | *2 | s | |

Note 1. When using a sub-clock, ask the manufacturer of the oscillator to evaluate its oscillation. Refer to the results of evaluation provided by the manufacturer for the oscillation stabilization time.

Note 2. The number of cycles selected by the value of the SOSWTCR.SSTS[7:0] bits determines the sub-clock oscillation stabilization wait time in accord with the formula below.

$$t_{SUBOSCWT} = [(SSTS[7:0] \text{ bits} \times 16384) + 10] / f_{LOCO}$$

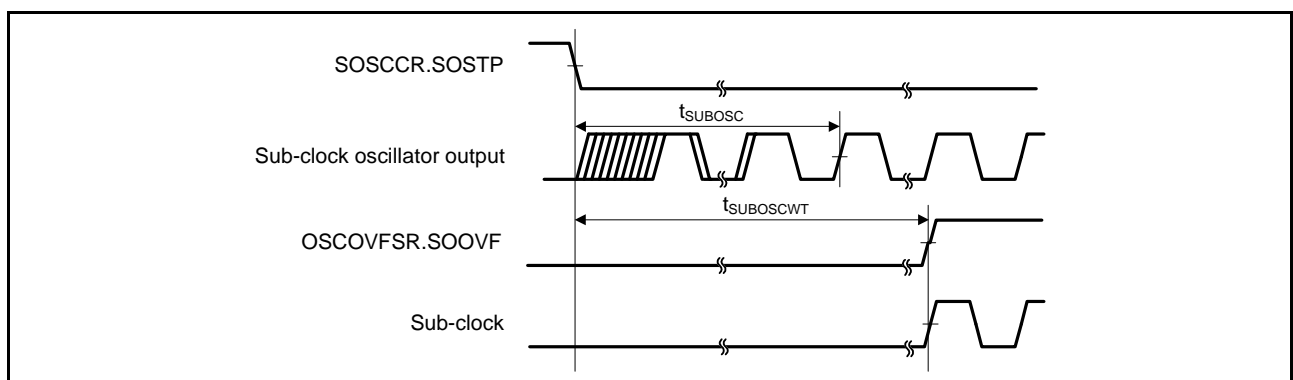


Figure 5.11 Sub-Clock Oscillation Start Timing

5.3.3 Timing of Recovery from Low Power Consumption Modes

Table 5.18 Timing of Recovery from Low Power Consumption Modes (1)

Conditions: $V_{CC} = AV_{CC0} = AV_{CC1} = V_{CC_USB} = V_{BATT} = 2.7$ to 3.6 V, $2.7 \leq V_{REFH0} \leq AV_{CC0}$,
 $V_{CC_USBA} = AV_{CC_USBA} = 3.0$ to 3.6 V,
 $V_{SS} = AV_{SS0} = AV_{SS1} = V_{REFL0} = V_{SS_USB} = V_{SS1_USBA} = V_{SS2_USBA} = PV_{SS_USBA} = AV_{SS_USBA} = 0$ V,
 $T_a = T_{opr}$

| Item | | | Symbol | Min. | Typ. | Max. | | Unit | Test Conditions |
|---|--|---|-------------|------|------|--|--|---------------|-----------------|
| | | | | | | $t_{SBYOSCWT}^{*2}$ | t_{SBYSEQ}^{*3} | | |
| Recovery time after cancellation of software standby mode*1 | Crystal resonator connected to main clock oscillator | Main clock oscillator operating | t_{SBYMC} | — | — | $\{ (MSTS[7:0] \text{ bits} \times 32) + 76 \} / 0.216$ | $100 \mu\text{s} + 7/f_{ICLK} + 2n/f_{MAIN}$ | μs | Figure 5.12 |
| | | Main clock oscillator and PLL circuit operating | t_{SBYPC} | | | $\{ (MSTS[7:0] \text{ bits} \times 32) + 138 \} / 0.216$ | $100 \mu\text{s} + 7/f_{ICLK} + 2n/f_{PLL}$ | | |
| | External clock input to main clock oscillator | Main clock oscillator operating | t_{SBYEX} | | | 352 | $100 \mu\text{s} + 7/f_{ICLK} + 2n/f_{EXMAIN}$ | | |
| | | Main clock oscillator and PLL circuit operating | t_{SBYPE} | | | 639 | $100 \mu\text{s} + 7/f_{ICLK} + 2n/f_{PLL}$ | | |
| | Sub-clock oscillator operating | | t_{SBYSC} | | | $\{ (SSTS[7:0] \text{ bits} \times 16384) + 13 \} / 0.216 + 10/f_{FCLK}$ | $100 \mu\text{s} + 4/f_{ICLK} + 2n/f_{SUB}$ | | |
| | High-speed on-chip oscillator operating | High-speed on-chip oscillator operating | t_{SBYHO} | | | 454 | $100 \mu\text{s} + 7/f_{ICLK} + 2n/f_{HOCO}$ | | |
| | | High-speed on-chip oscillator operating and PLL circuit operating | t_{SBYPH} | | | 741 | $100 \mu\text{s} + 7/f_{ICLK} + 2n/f_{PLL}$ | | |
| | Low-speed on-chip oscillator operating*4 | | t_{SBYLO} | | | 338 | $100 \mu\text{s} + 7/f_{ICLK} + 2n/f_{LOCO}$ | | |

Note 1. The time for return after release from software standby is determined by the value obtained by adding the oscillation stabilization waiting time ($t_{SBYOSCWT0}$) and the time required for operations by the software standby release sequencer (t_{SBYSEQ}).

Note 2. When several oscillators were running before the transition to software standby, the greatest value of the oscillation stabilization waiting time $t_{SBYOSCWT}$ is selected.

Note 3. For n, the greatest value is selected from among the internal clock division settings.

Note 4. This condition applies when $f_{ICLK}:f_{FCLK} = 1:1, 2:1, \text{ or } 4:1$.

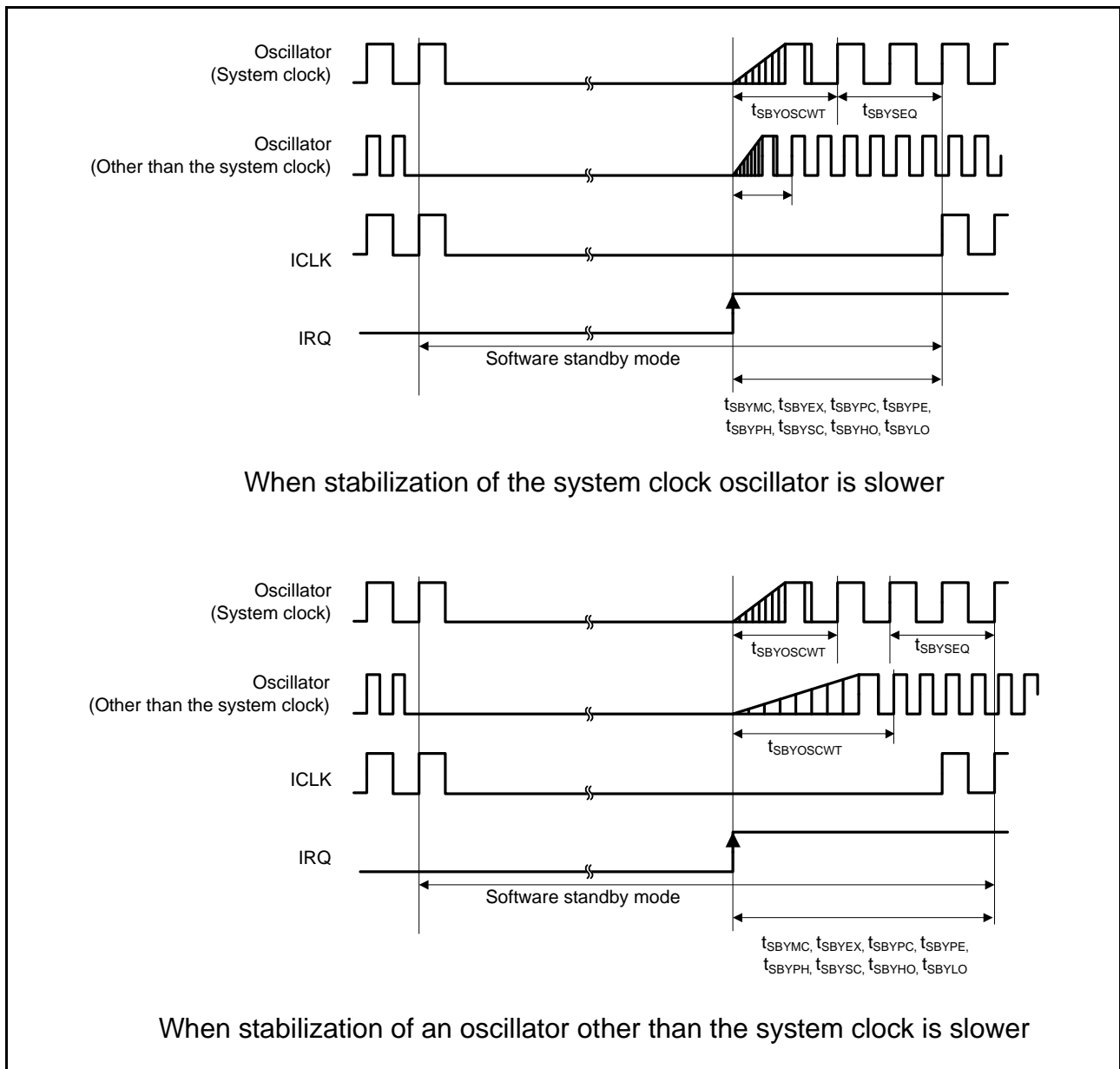


Figure 5.12 Software Standby Mode Cancellation Timing

Table 5.19 Timing of Recovery from Low Power Consumption Modes (2)

Conditions: $VCC = AVCC0 = AVCC1 = VCC_USB = V_{BATT} = 2.7$ to 3.6 V, $2.7 \leq VREFH0 \leq AVCC0$,
 $VCC_USBA = AVCC_USBA = 3.0$ to 3.6 V,
 $VSS = AVSS0 = AVSS1 = VREFL0 = VSS_USB = VSS1_USBA = VSS2_USBA = PVSS_USBA = AVSS_USBA = 0$ V,
 $T_a = T_{opr}$

| Item | Symbol | min | typ | max | Unit | Test Conditions |
|--|--------------|-----|-----|-----|------------|-----------------|
| Recovery time after cancellation of deep software standby mode | t_{DSBY} | — | — | 0.9 | ms | Figure 5.13 |
| Wait time after cancellation of deep software standby mode | t_{DSBYWT} | 31 | — | 32 | t_{Lcyc} | |

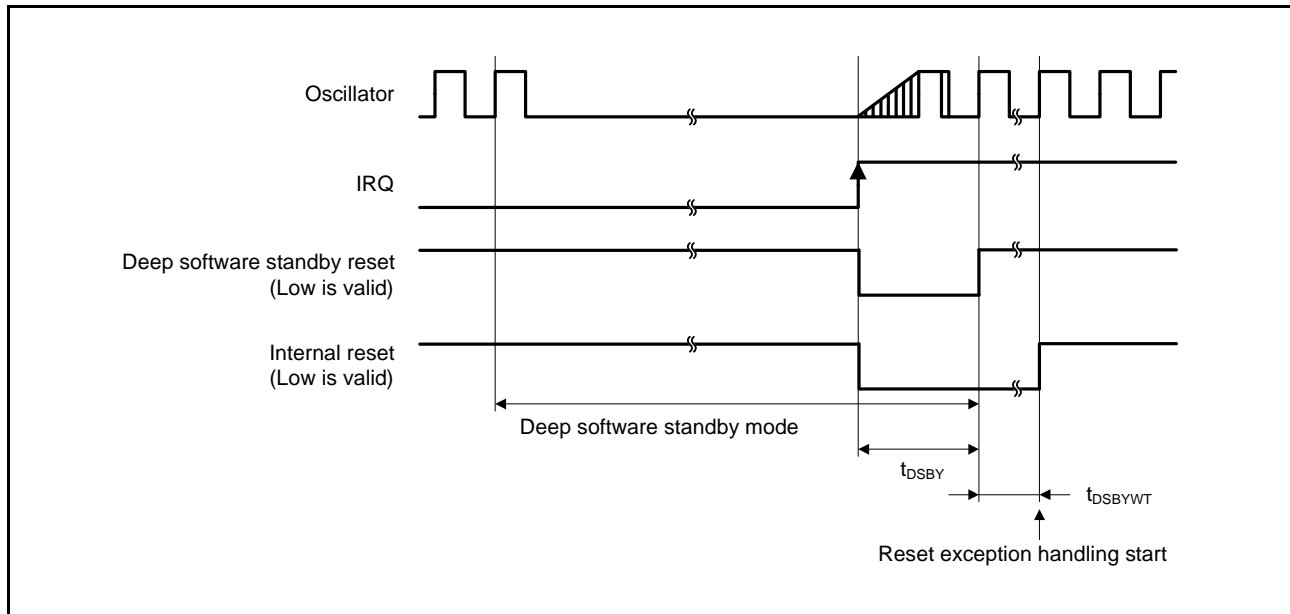


Figure 5.13 Deep Software Standby Mode Cancellation Timing

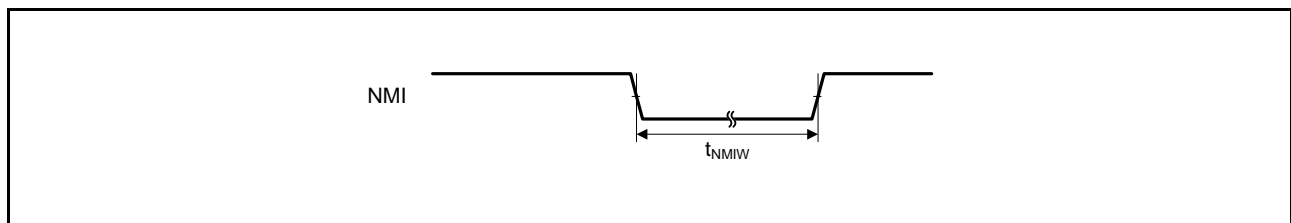
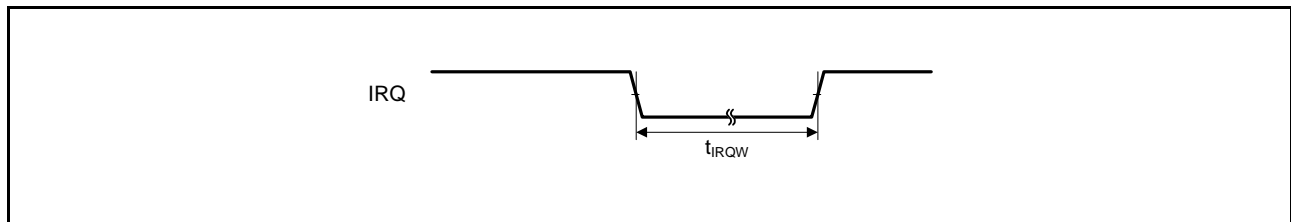
5.3.4 Control Signal Timing

Table 5.20 Control Signal Timing

Conditions: $VCC = AVCC0 = AVCC1 = VCC_USB = V_{BATT} = 2.7$ to 3.6 V, $2.7 \leq VREFH0 \leq AVCC0$,
 $VCC_USBA = AVCC_USBA = 3.0$ to 3.6 V,
 $VSS = AVSS0 = AVSS1 = VREFL0 = VSS_USB = VSS1_USBA = VSS2_USBA = PVSS_USBA = AVSS_USBA = 0$ V,
 $PLCKB = 8$ to 60 MHz, $T_a = T_{opr}$

| Item | Symbol | Min.*1 | Typ. | Max. | Unit | Test Conditions*1 |
|-----------------|------------|----------------------|------|------|------|---|
| NMI pulse width | t_{NMIW} | 200 | — | — | ns | $t_{PBcyc} \times 2 \leq 200$ ns, Figure 5.14 |
| | | $t_{PBcyc} \times 2$ | — | — | ns | $t_{PBcyc} \times 2 > 200$ ns, Figure 5.14 |
| IRQ pulse width | t_{IRQW} | 200 | — | — | ns | $t_{PBcyc} \times 2 \leq 200$ ns, Figure 5.15 |
| | | $t_{PBcyc} \times 2$ | — | — | ns | $t_{PBcyc} \times 2 > 200$ ns, Figure 5.15 |

Note 1. t_{PBcyc} : PCLKB cycle

**Figure 5.14 NMI Interrupt Input Timing****Figure 5.15 IRQ Interrupt Input Timing**

5.3.5 Bus Timing

Table 5.21 Bus Timing

Conditions: $V_{CC} = AVCC0 = AVCC1 = V_{CC_USB} = V_{BATT} = 2.7$ to 3.6 V, $2.7 \leq V_{REFH0} \leq AVCC0$,
 $V_{CC_USBA} = AVCC_USBA = 3.0$ to 3.6 V,
 $V_{SS} = AVSS0 = AVSS1 = V_{REFL0} = V_{SS_USB} = V_{SS1_USBA} = V_{SS2_USBA} = PV_{SS_USBA} = AV_{SS_USBA} = 0$ V,
 $ICLK = PCLKA = 8$ to 120 MHz, $PCLKB = BCLK = SDCLK = 8$ to 60 MHz, $T_a = T_{opr}$
Output load conditions: $V_{OH} = V_{CC} \times 0.5$, $V_{OL} = V_{CC} \times 0.5$, $C = 30$ pF
High-drive output is selected by the driving ability control register.

| Item | Symbol | Min. | Max. | Unit | Test Conditions |
|---------------------------------|------------|------|------|------|-------------------------------|
| Address delay time | t_{AD} | — | 12.5 | ns | Figure 5.16 to Figure 5.21 |
| Byte control delay time | t_{BCD} | — | 12.5 | ns | |
| CS# delay time | t_{CSD} | — | 12.5 | ns | |
| ALE delay time | t_{ALED} | — | 12.5 | ns | |
| RD# delay time | t_{RSD} | — | 12.5 | ns | |
| Read data setup time | t_{RDS} | 12.5 | — | ns | |
| Read data hold time | t_{RDH} | 0 | — | ns | |
| WR# delay time | t_{WRD} | — | 12.5 | ns | |
| Write data delay time | t_{WDD} | — | 12.5 | ns | |
| Write data hold time | t_{WDH} | 0 | — | ns | |
| WAIT# setup time | t_{WTS} | 12.5 | — | ns | |
| WAIT# hold time | t_{WTH} | 0 | — | ns | |
| Address delay time 2 (SDRAM) | t_{AD2} | 1 | 12.5 | ns | Figure 5.23 |
| CS# delay time 2 (SDRAM) | t_{CSD2} | 1 | 12.5 | ns | |
| DQM delay time (SDRAM) | t_{DQMD} | 1 | 12.5 | ns | |
| CKE delay time (SDRAM) | t_{CKED} | 1 | 12.5 | ns | |
| Read data setup time 2 (SDRAM) | t_{RDS2} | 10 | — | ns | |
| Read data hold time 2 (SDRAM) | t_{RDH2} | 0 | — | ns | |
| Write data delay time 2 (SDRAM) | t_{WDD2} | — | 12.5 | ns | |
| Write data hold time 2 (SDRAM) | t_{WDH2} | 1 | — | ns | |
| WE# delay time (SDRAM) | t_{WED} | 1 | 12.5 | ns | |
| RAS# delay time (SDRAM) | t_{RASD} | 1 | 12.5 | ns | |
| CAS# delay time (SDRAM) | t_{CASD} | 1 | 12.5 | ns | |

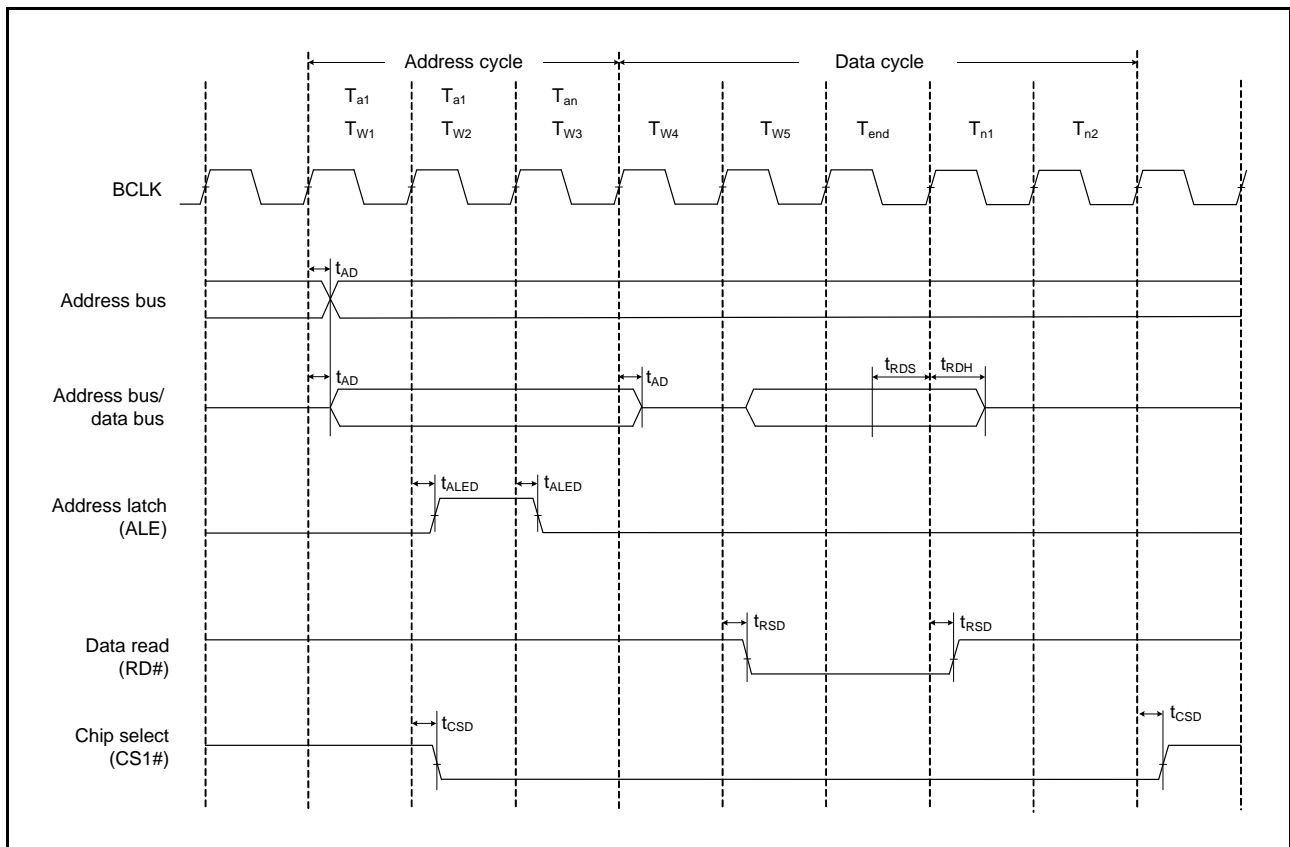


Figure 5.16 Address/Data Multiplexed Bus Read Access Timing

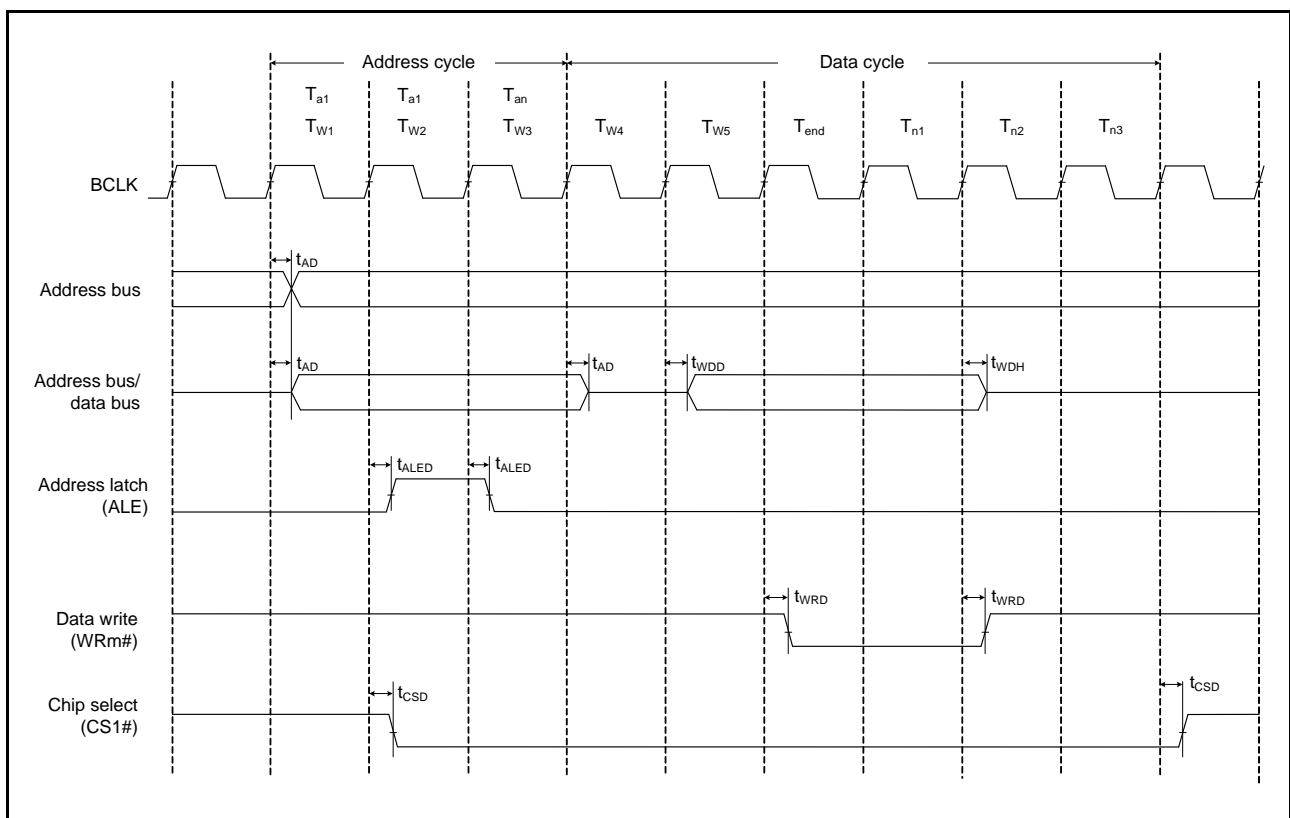


Figure 5.17 Address/Data Multiplexed Bus Write Access Timing

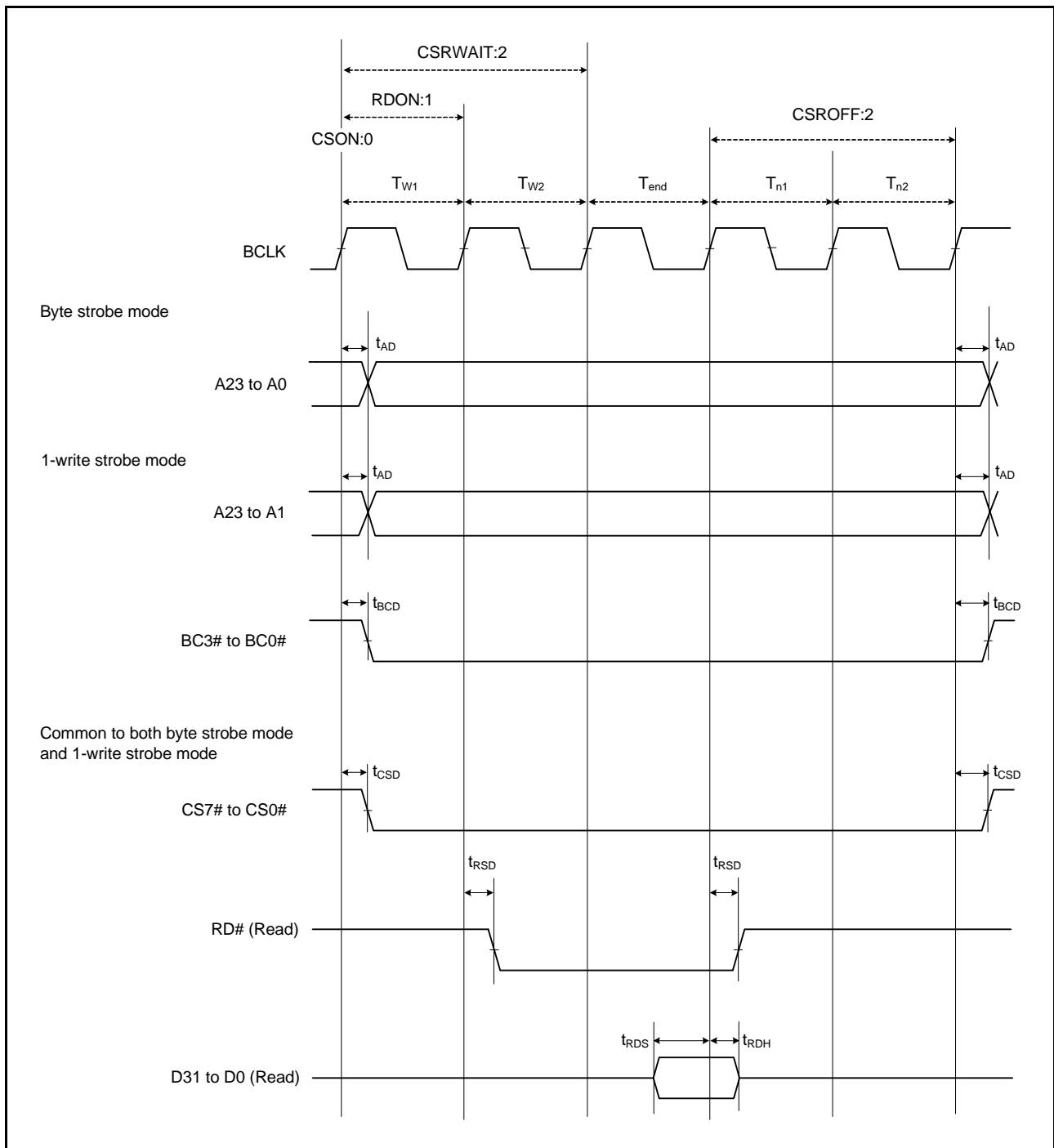


Figure 5.18 External Bus Timing/Normal Read Cycle (Bus Clock Synchronized)

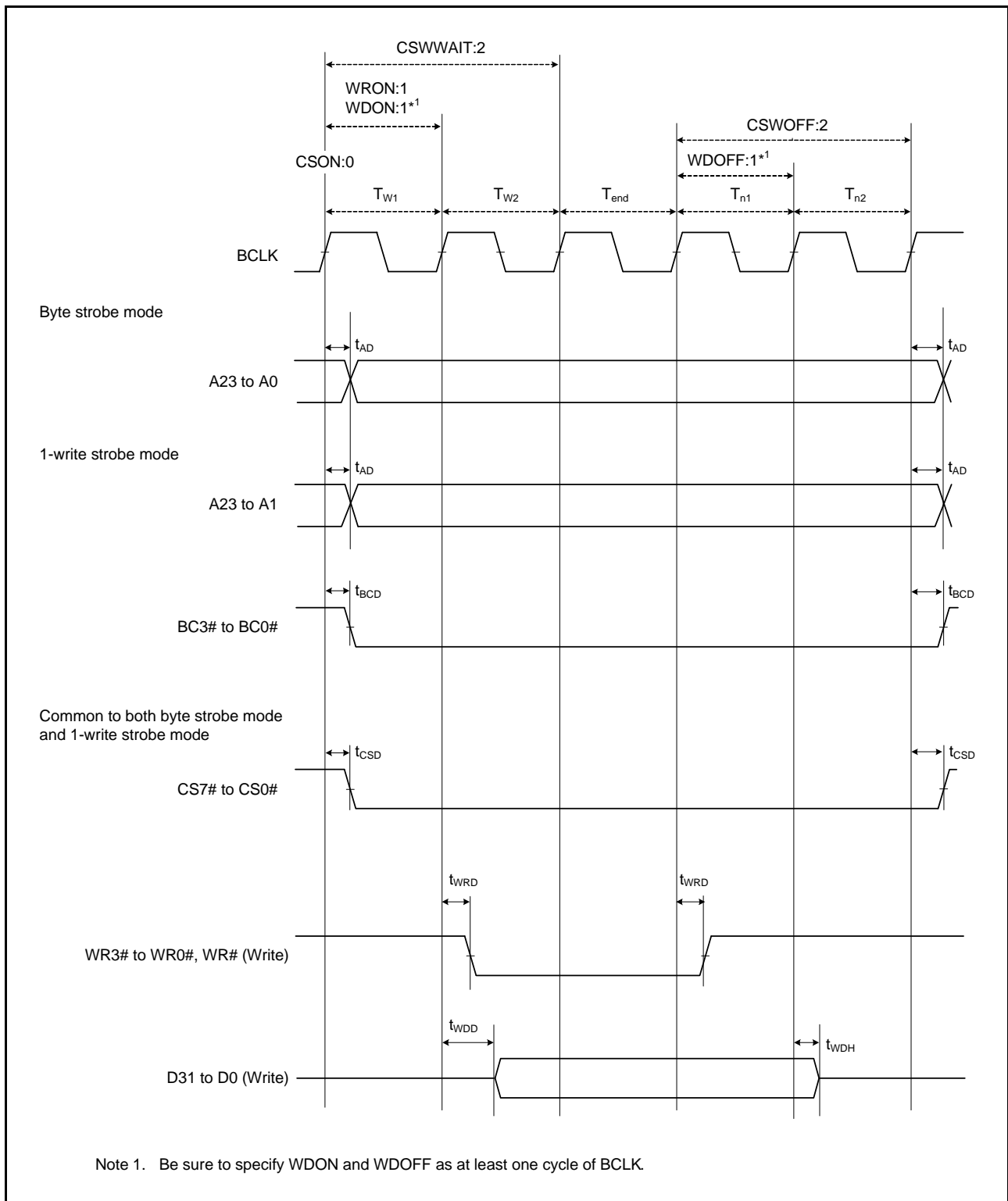


Figure 5.19 External Bus Timing/Normal Write Cycle (Bus Clock Synchronized)

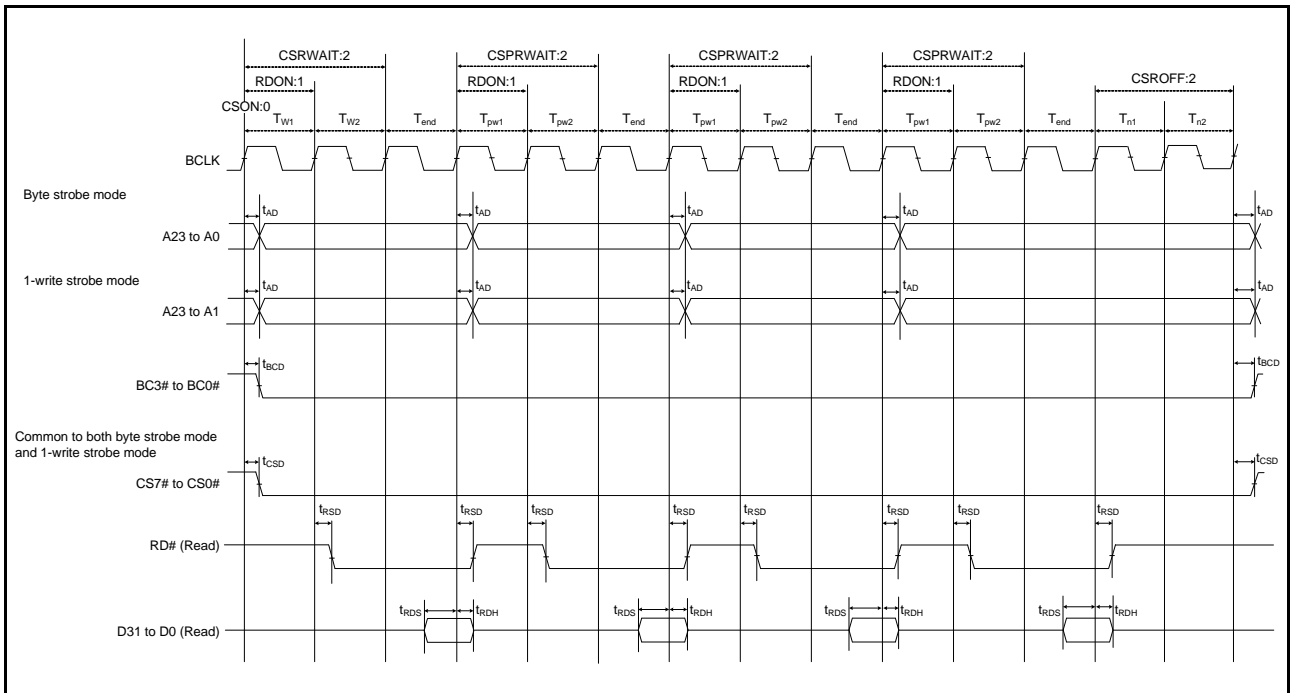


Figure 5.20 External Bus Timing/Page Read Cycle (Bus Clock Synchronized)

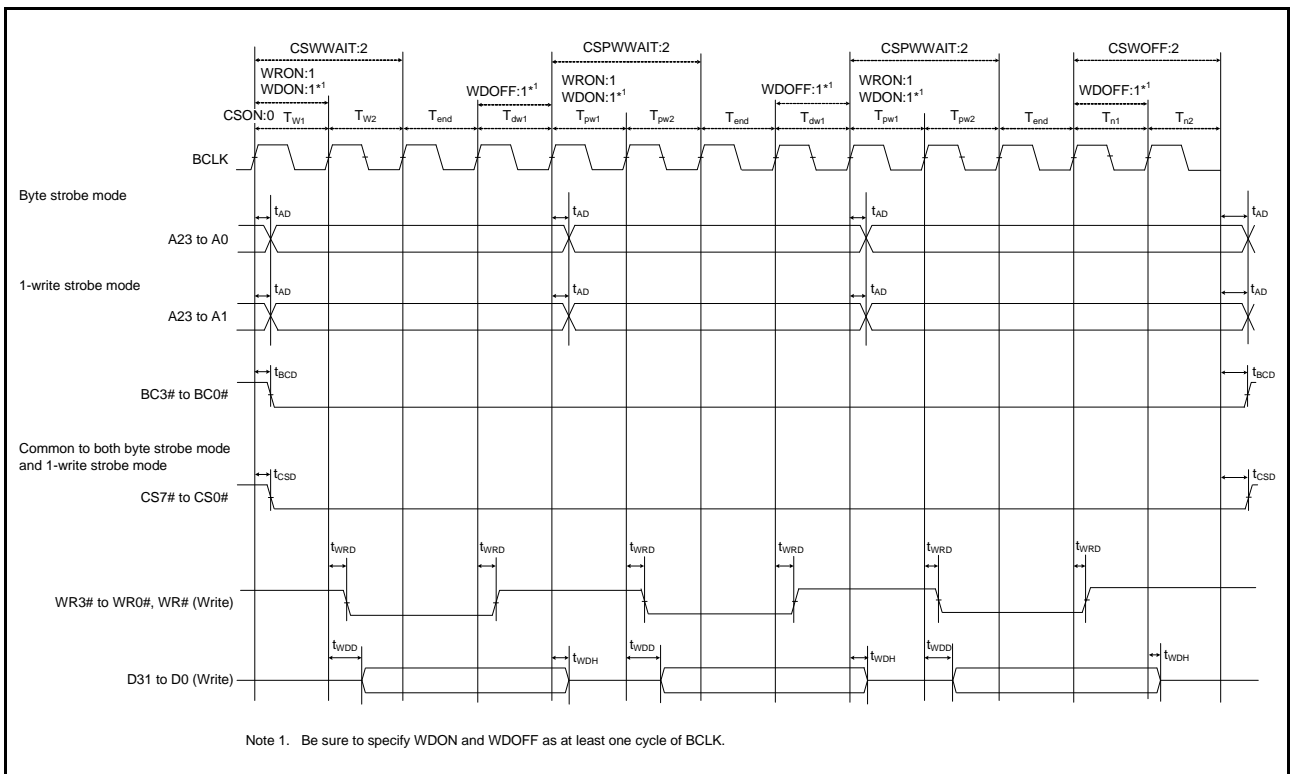


Figure 5.21 External Bus Timing/Page Write Cycle (Bus Clock Synchronized)

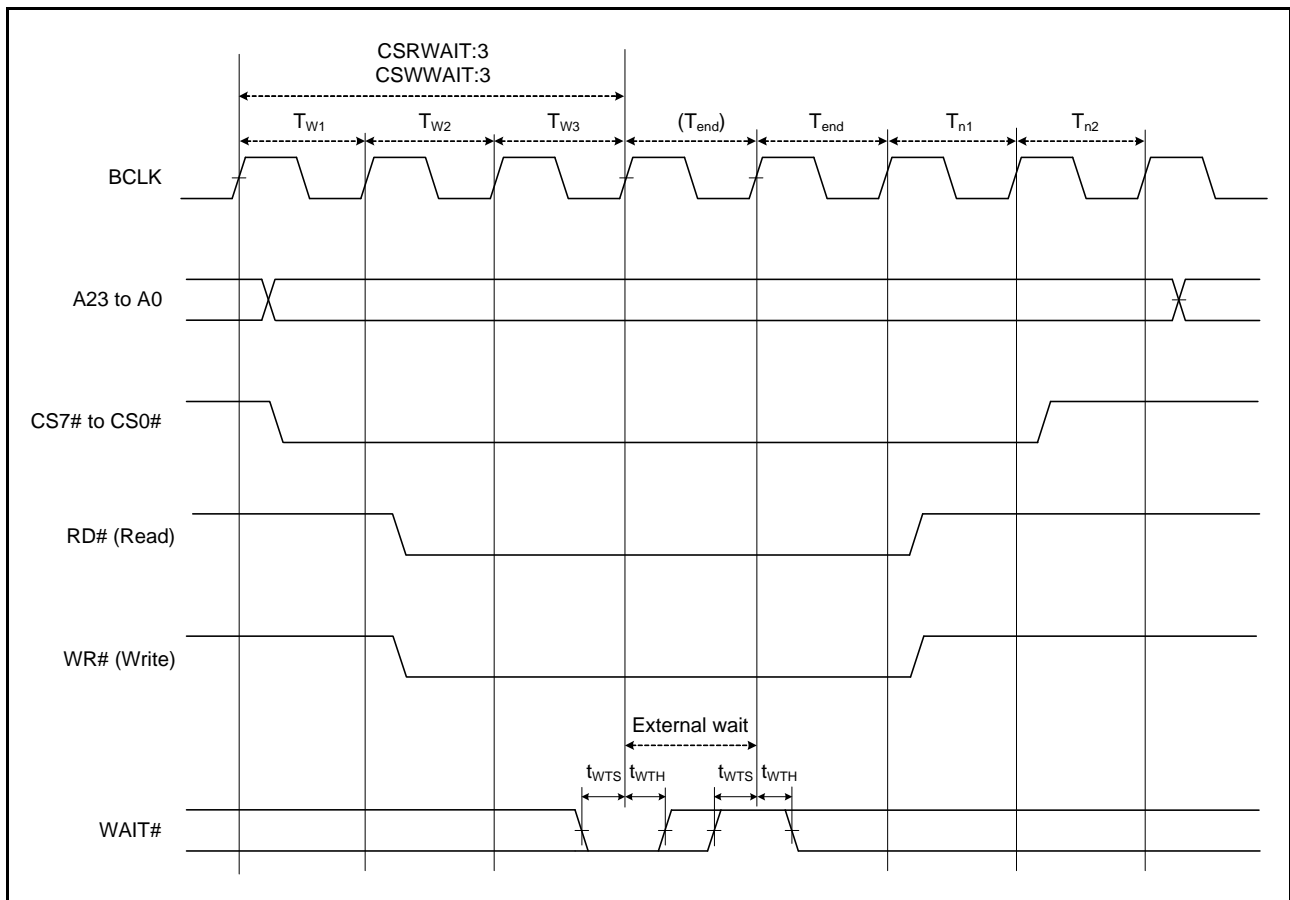


Figure 5.22 External Bus Timing/External Wait Control

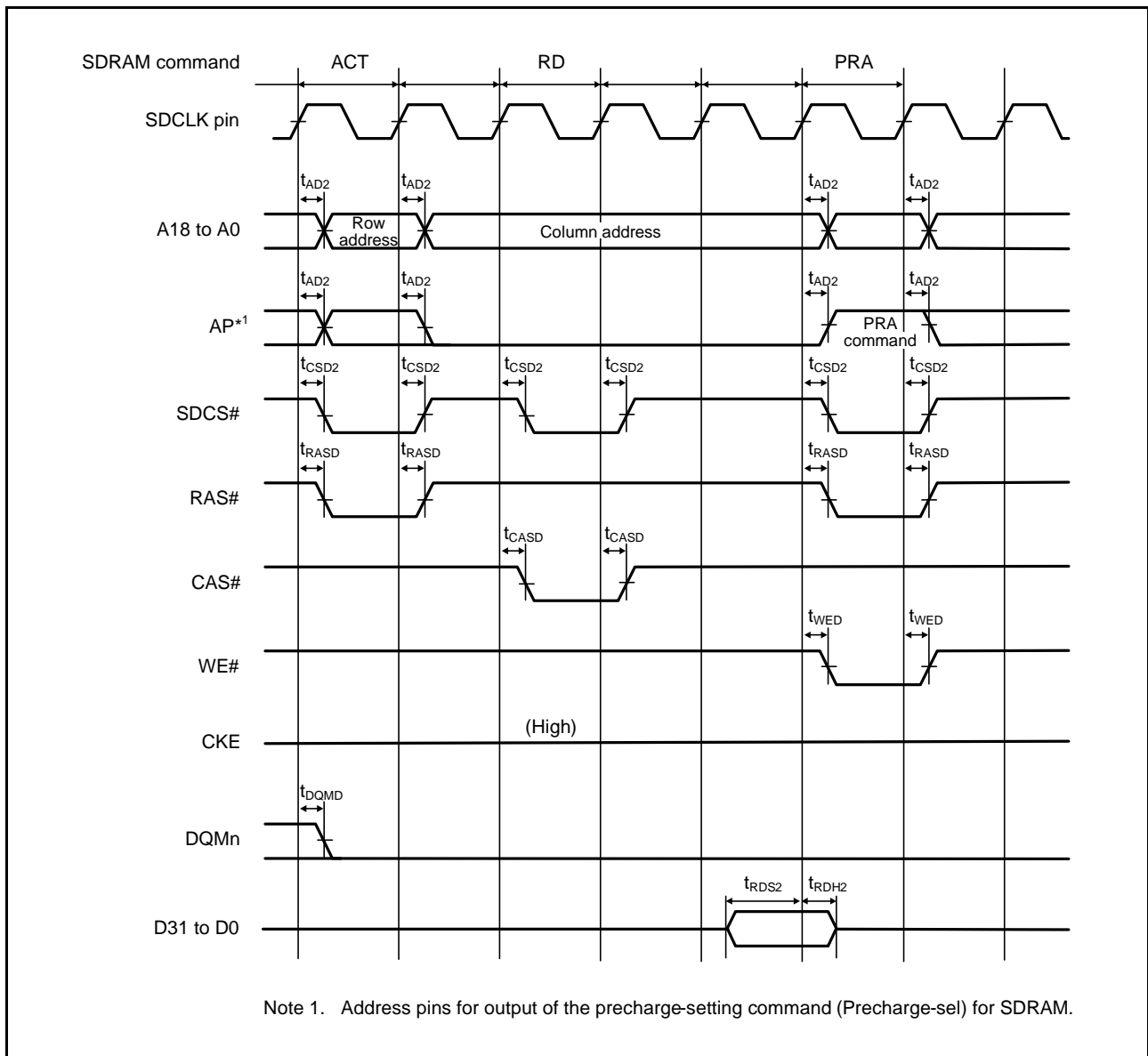


Figure 5.23 SDRAM Space Single Read Bus Timing

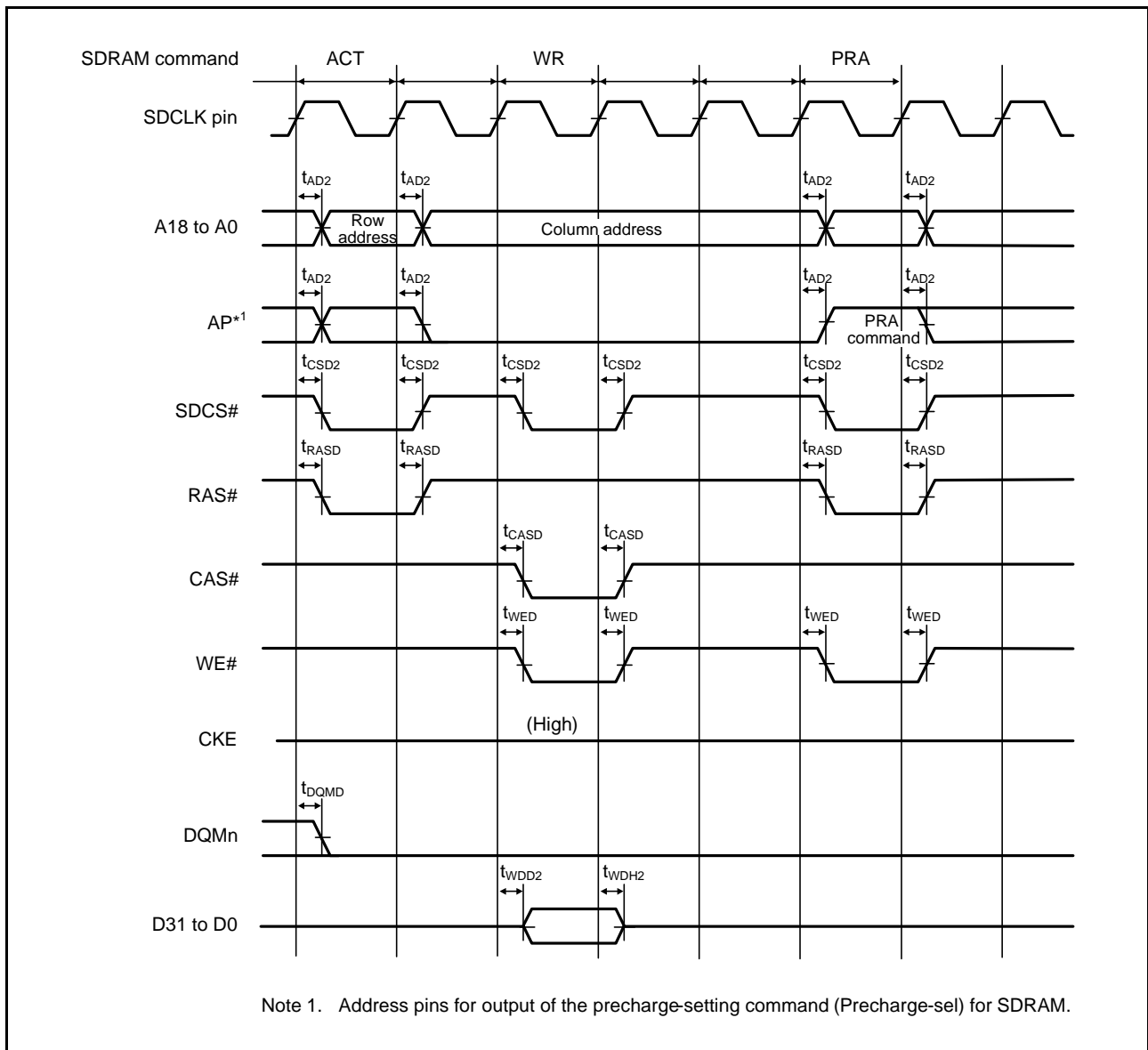


Figure 5.24 SDRAM Space Single Write Bus Timing

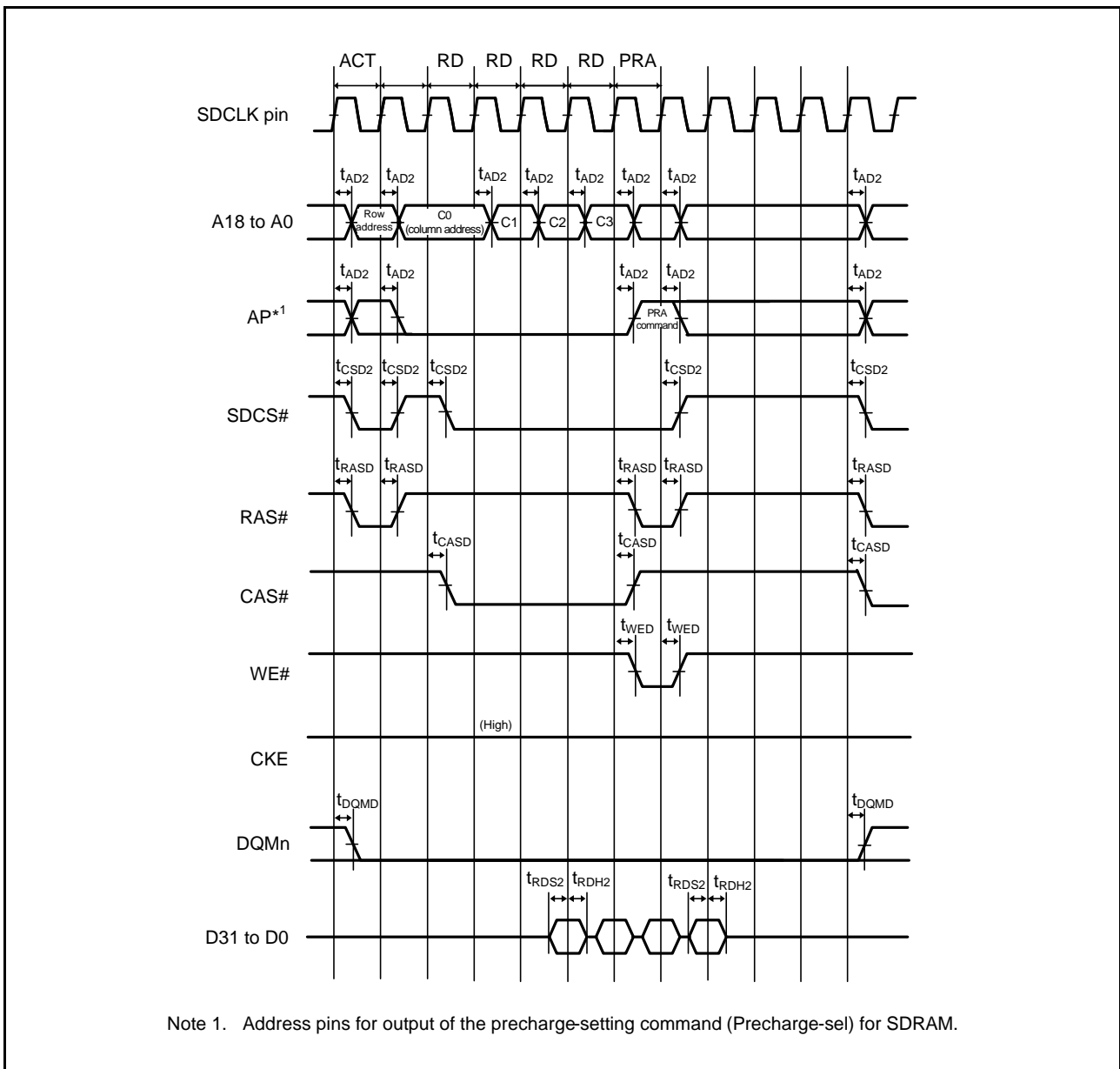


Figure 5.25 SDRAM Space Multiple Read Bus Timing

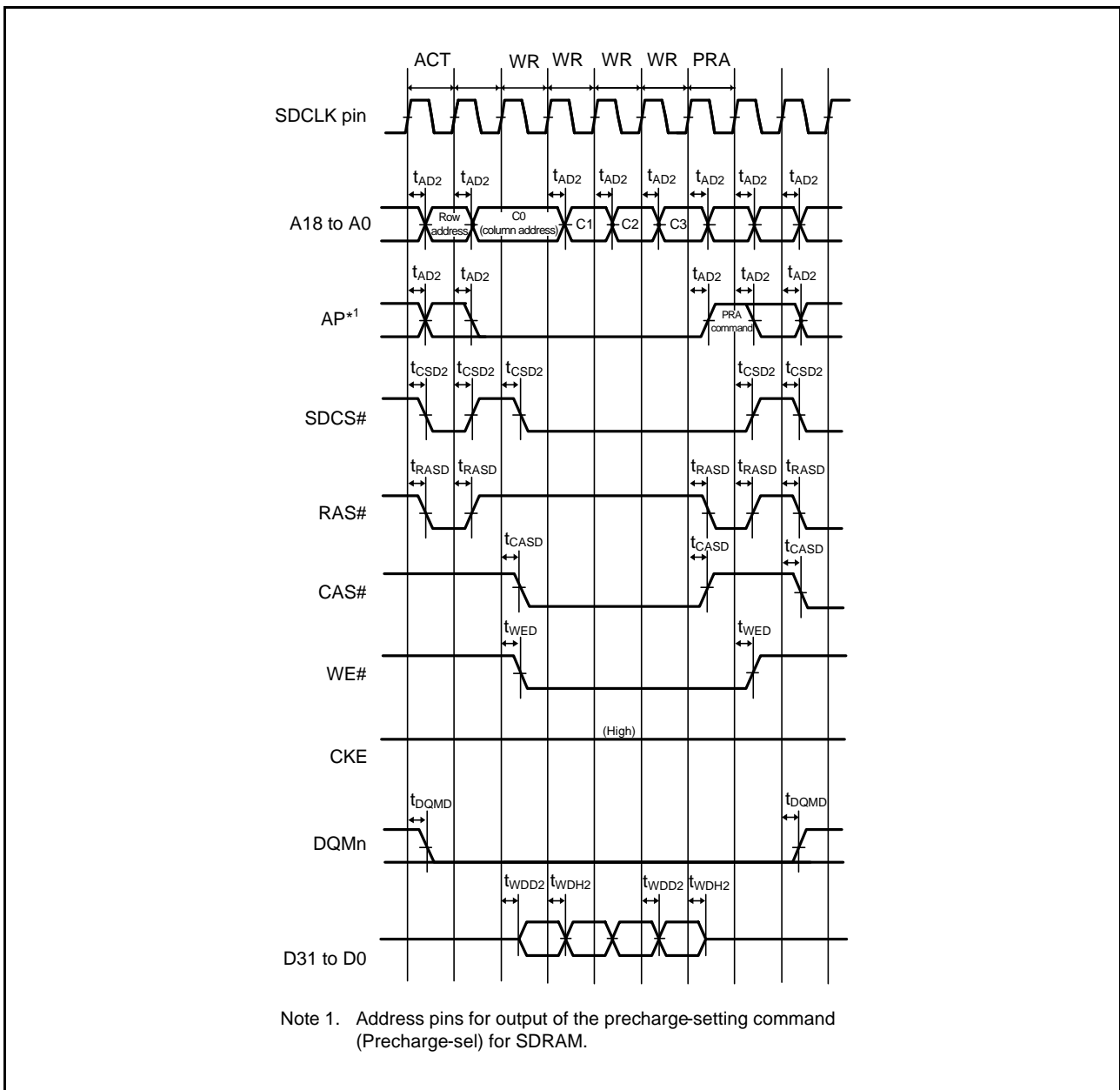


Figure 5.26 SDRAM Space Multiple Write Bus Timing

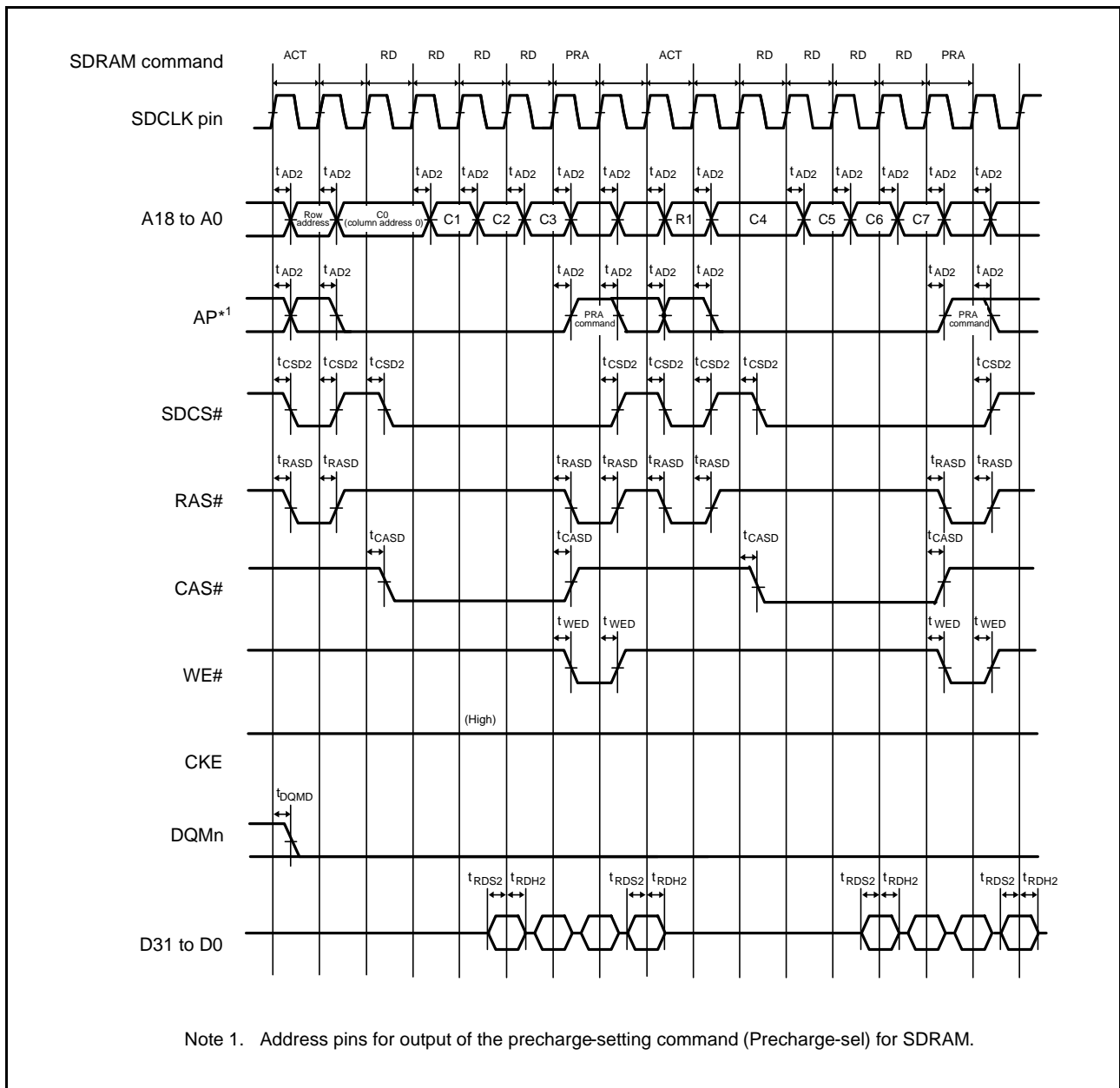


Figure 5.27 SDRAM Space Multiple Read Line Stride Bus Timing

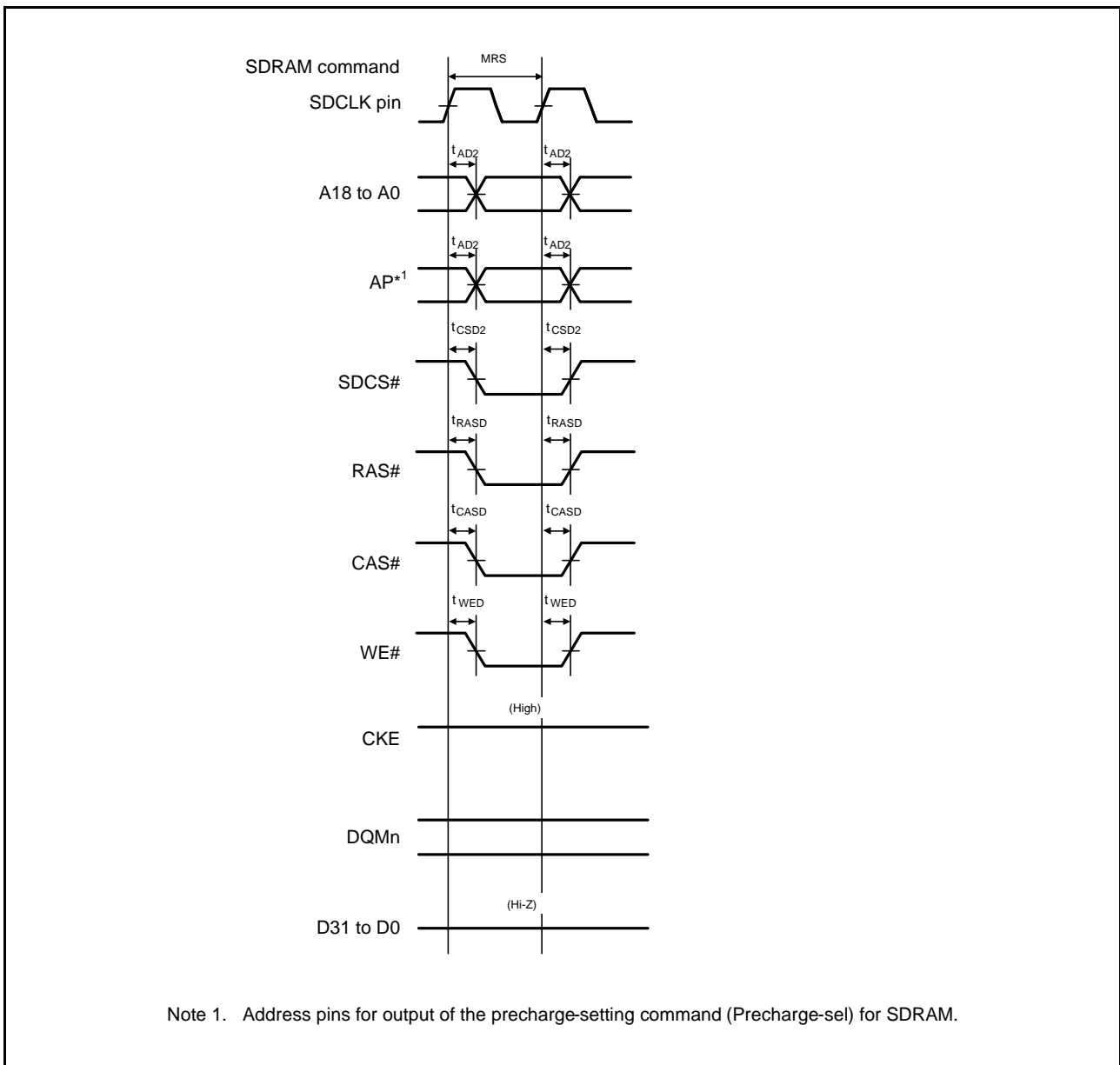


Figure 5.28 SDRAM Space Mode Register Set Bus Timing

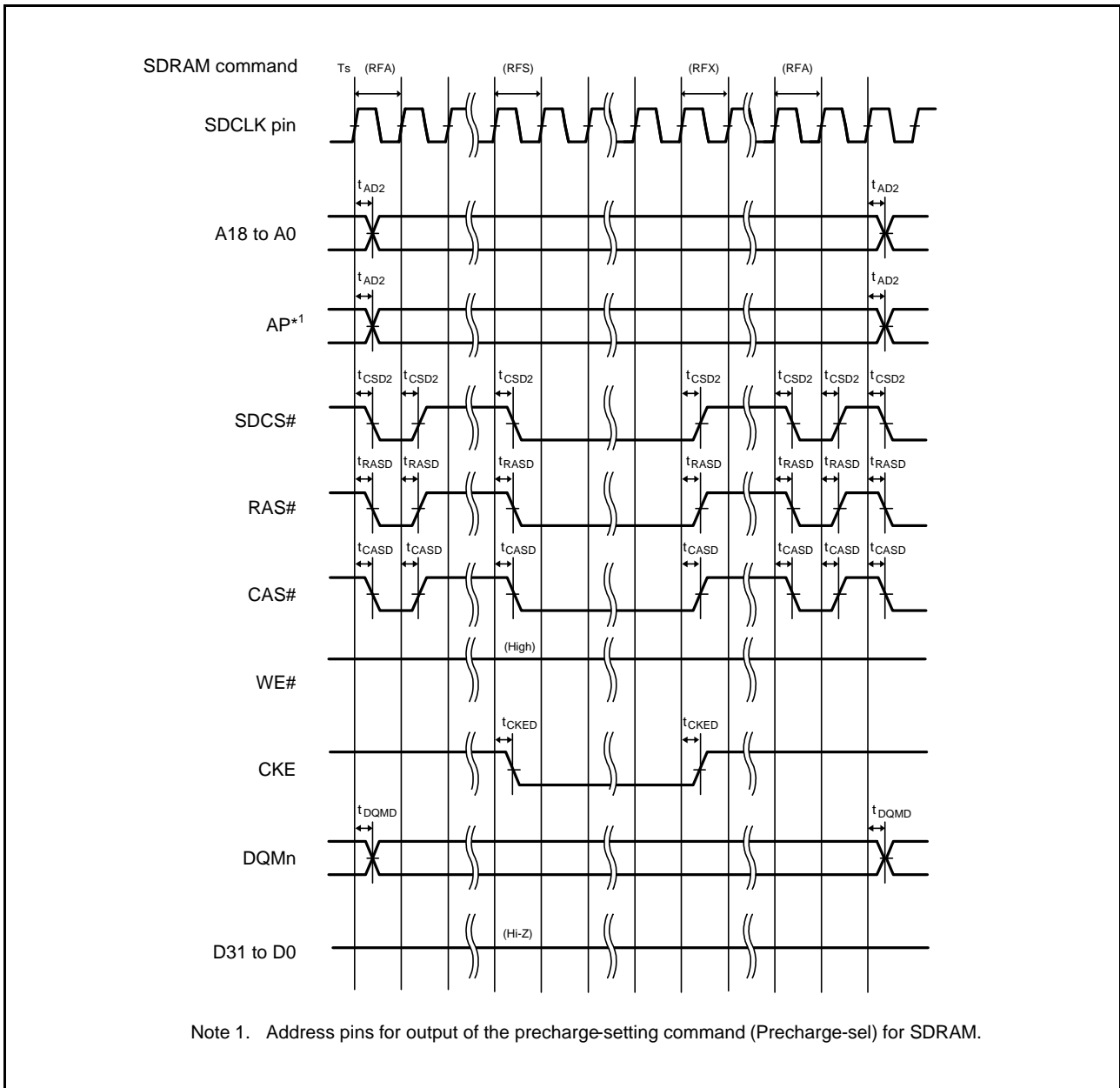


Figure 5.29 SDRAM Space Self-Refresh Bus Timing

5.3.6 EXDMAC Timing

Table 5.22 EXDMAC Timing

Conditions: $V_{CC} = AVCC0 = AVCC1 = V_{CC_USB} = V_{BATT} = 2.7$ to 3.6 V, $2.7 \leq V_{REFH0} \leq AVCC0$,
 $V_{CC_USBA} = AVCC_USBA = 3.0$ to 3.6 V,
 $V_{SS} = AVSS0 = AVSS1 = V_{REFL0} = V_{SS_USB} = V_{SS1_USBA} = V_{SS2_USBA} = PV_{SS_USBA} = AV_{SS_USBA} = 0$ V,
 $ICLK = PCLKA = 8$ to 120 MHz, $PCLKB = BCLK = SDCLK = 8$ to 60 MHz, $T_a = T_{opr}$
 Output load conditions: $V_{OH} = V_{CC} \times 0.5$, $V_{OL} = V_{CC} \times 0.5$, $C = 30$ pF
 High-drive output is selected by the driving ability control register.

| Item | Symbol | Min. | Max. | Unit | Test Conditions | |
|--------|------------------|-------------|------|------|-----------------|-----------------------------|
| EXDMAC | EDREQ setup time | t_{EDRQS} | 13 | — | ns | Figure 5.30 |
| | EDREQ hold time | t_{EDRQH} | 2 | — | ns | |
| | EDACK delay time | t_{EDACD} | — | 13 | ns | Figure 5.31, Figure 5.32 |

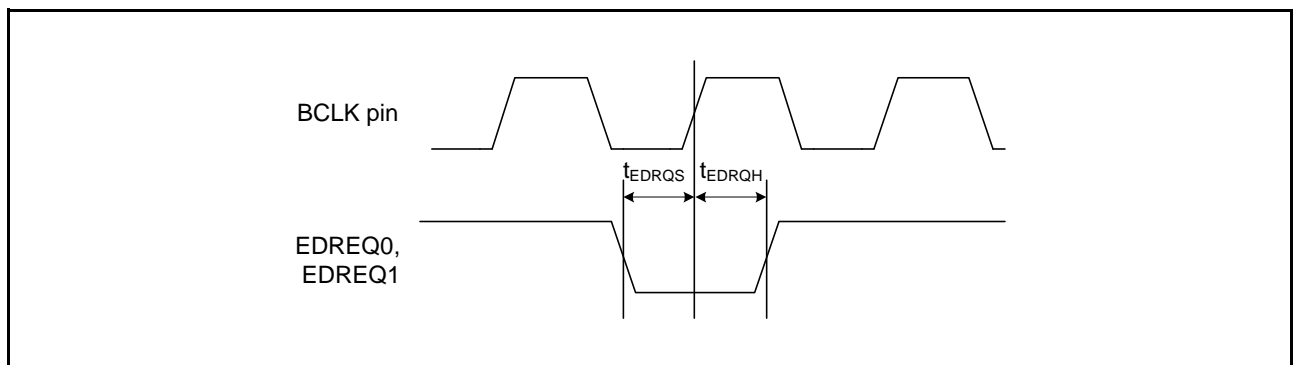


Figure 5.30 EDREQ0 and EDREQ1 Input Timing

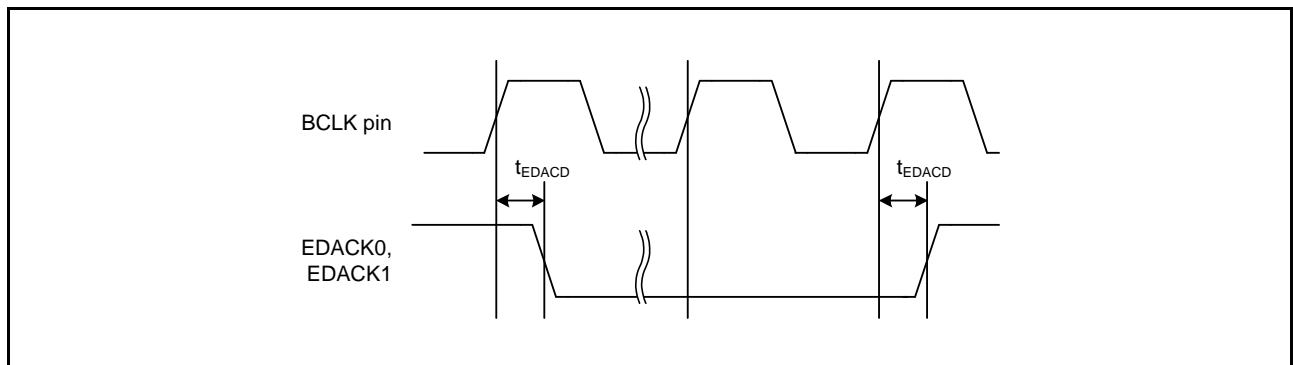


Figure 5.31 EDACK0 and EDACK1 Single-Address Transfer Timing (for a CS Area)

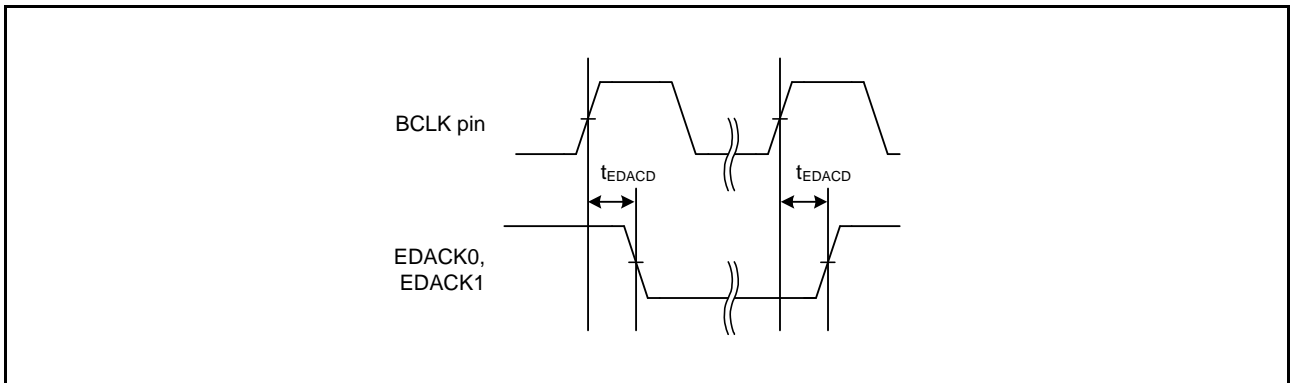


Figure 5.32 EDACK0 and EDACK1 Single-Address Transfer Timing (for SDRAM)

5.3.7 Timing of On-Chip Peripheral Modules

Table 5.23 I/O Port Timing

Conditions: $V_{CC} = AVCC0 = AVCC1 = V_{CC_USB} = V_{BATT} = 2.7$ to 3.6 V, $2.7 \leq V_{REFH0} \leq AVCC0$,
 $V_{CC_USBA} = AVCC_USBA = 3.0$ to 3.6 V,
 $V_{SS} = AVSS0 = AVSS1 = V_{REFL0} = V_{SS_USB} = V_{SS1_USBA} = V_{SS2_USBA} = PV_{SS_USBA} = AV_{SS_USBA} = 0$ V,
 $PCLKA = 8$ to 120 MHz, $PCLKB = 8$ to 60 MHz, $T_a = T_{opr}$
 Output load conditions: $V_{OH} = V_{CC} \times 0.5$, $V_{OL} = V_{CC} \times 0.5$, $C = 30$ pF
 High-drive output is selected by the driving ability control register.

| Item | | Symbol | Min. | Max. | Unit*1 | Test Conditions |
|-----------|------------------------|-----------|------|------|-------------|-----------------|
| I/O ports | Input data pulse width | t_{PRW} | 1.5 | — | t_{PBcyc} | Figure 5.33 |

Note 1. t_{PBcyc} : PCLKB cycle

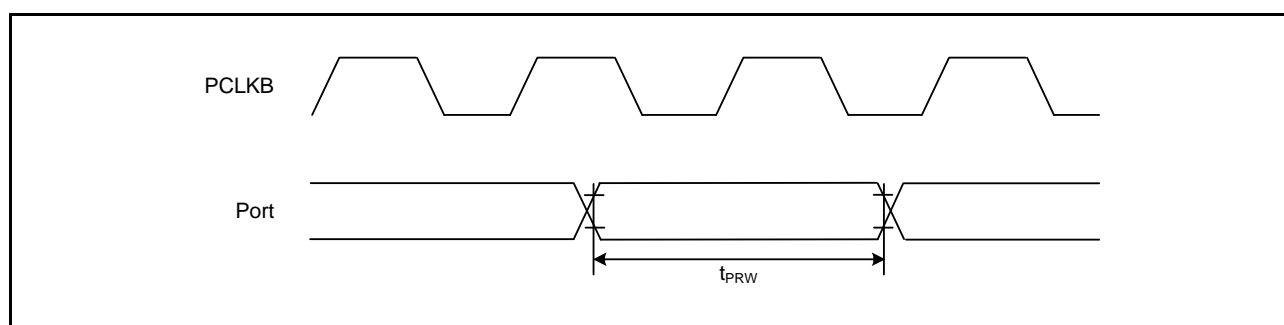


Figure 5.33 I/O Port Input Timing

Table 5.24 TPU Timing

Conditions: $V_{CC} = AVCC0 = AVCC1 = V_{CC_USB} = V_{BATT} = 2.7$ to 3.6 V, $2.7 \leq V_{REFH0} \leq AVCC0$,
 $V_{CC_USBA} = AVCC_USBA = 3.0$ to 3.6 V,
 $V_{SS} = AVSS0 = AVSS1 = V_{REFL0} = V_{SS_USB} = V_{SS1_USBA} = V_{SS2_USBA} = PV_{SS_USBA} = AVSS_USBA = 0$ V,
 $PCLKA = 8$ to 120 MHz, $PCLKB = 8$ to 60 MHz, $T_a = T_{opr}$
 Output load conditions: $V_{OH} = V_{CC} \times 0.5$, $V_{OL} = V_{CC} \times 0.5$, $C = 30$ pF
 High-drive output is selected by the driving ability control register.

| Item | | Symbol | Min. | Max. | Unit*1 | Test Conditions |
|---------------------|---------------------------------|---------------------|------|------|-------------|-----------------|
| TPU | Input capture input pulse width | Single-edge setting | 1.5 | — | t_{PBcyc} | Figure 5.34 |
| | | Both-edge setting | 2.5 | — | | |
| | Timer clock pulse width | Single-edge setting | 1.5 | — | t_{PBcyc} | |
| Both-edge setting | t_{TCKWH} , t_{TCKWL} | 2.5 | — | | | |
| Phase counting mode | | 2.5 | — | | | |

Note 1. t_{PBcyc} : PCLKB cycle

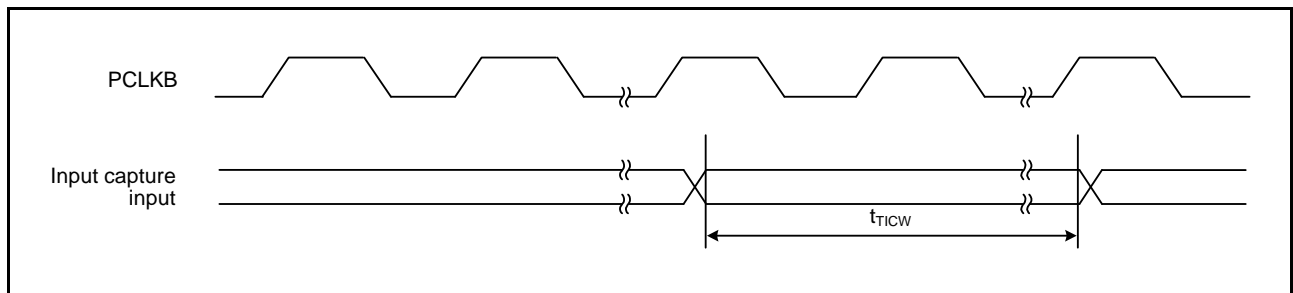


Figure 5.34 TPU Input Capture Input Timing

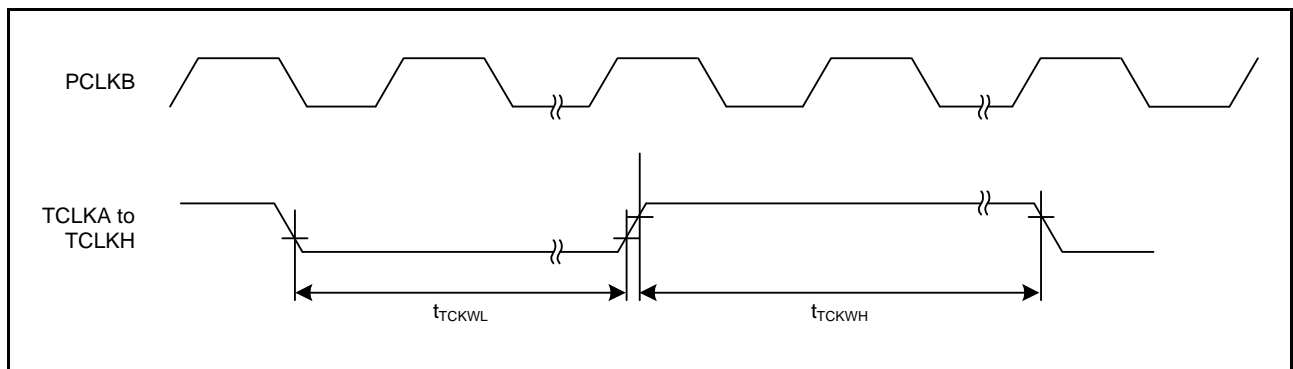


Figure 5.35 TPU Clock Input Timing

Table 5.25 TMR Timing

Conditions: $V_{CC} = AVCC0 = AVCC1 = V_{CC_USB} = V_{BATT} = 2.7$ to 3.6 V, $2.7 \leq V_{REFH0} \leq AVCC0$,
 $V_{CC_USBA} = AVCC_USBA = 3.0$ to 3.6 V,
 $V_{SS} = AVSS0 = AVSS1 = V_{REFL0} = V_{SS_USB} = V_{SS1_USBA} = V_{SS2_USBA} = PVSS_USBA = AVSS_USBA = 0$ V,
 $PCLKA = 8$ to 120 MHz, $PCLKB = 8$ to 60 MHz, $T_a = T_{opr}$
 Output load conditions: $V_{OH} = V_{CC} \times 0.5$, $V_{OL} = V_{CC} \times 0.5$, $C = 30$ pF
 High-drive output is selected by the driving ability control register.

| Item | | Symbol | Min. | Max. | Unit*1 | Test Conditions |
|------|-------------------------|---------------------|------|------|-------------|-----------------|
| TMR | Timer clock pulse width | Single-edge setting | 1.5 | — | t_{PBcyc} | Figure 5.36 |
| | | Both-edge setting | 2.5 | — | | |

Note 1. t_{PBcyc} : PCLKB cycle

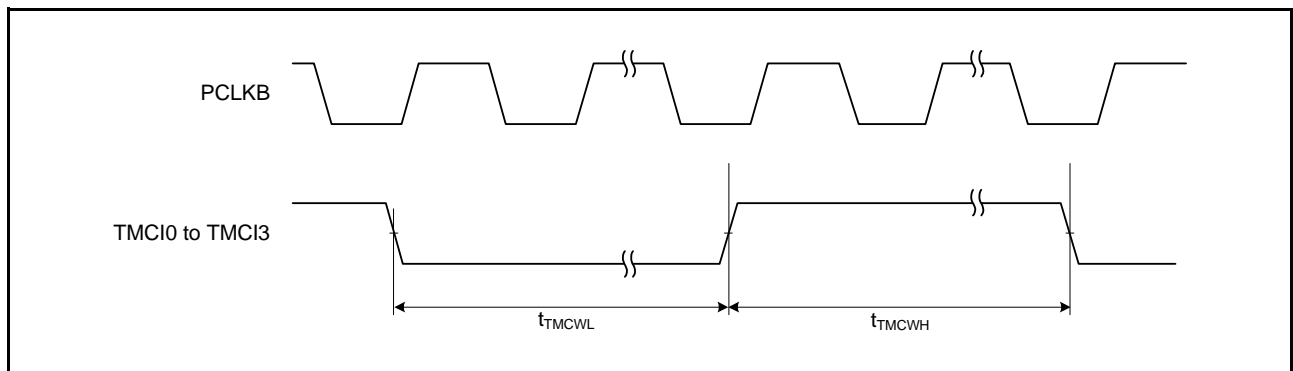


Figure 5.36 TMR Clock Input Timing

Table 5.26 CMTW Timing

Conditions: $V_{CC} = AVCC0 = AVCC1 = V_{CC_USB} = V_{BATT} = 2.7$ to 3.6 V, $2.7 \leq V_{REFH0} \leq AVCC0$,
 $V_{CC_USBA} = AVCC_USBA = 3.0$ to 3.6 V,
 $V_{SS} = AVSS0 = AVSS1 = V_{REFL0} = V_{SS_USB} = V_{SS1_USBA} = V_{SS2_USBA} = PVSS_USBA = AVSS_USBA = 0$ V,
 $PCLKA = 8$ to 120 MHz, $PCLKB = 8$ to 60 MHz, $T_a = T_{opr}$
 Output load conditions: $V_{OH} = V_{CC} \times 0.5$, $V_{OL} = V_{CC} \times 0.5$, $C = 30$ pF
 High-drive output is selected by the driving ability control register.

| Item | | Symbol | Min. | Max. | Unit*1 | Test Conditions |
|------|---------------------------------|---------------------|------|------|-------------|-----------------|
| CMTW | Input capture input pulse width | Single-edge setting | 1.5 | — | t_{PBcyc} | Figure 5.37 |
| | | Both-edge setting | 2.5 | — | | |

Note 1. t_{PBcyc} : PCLKB cycle

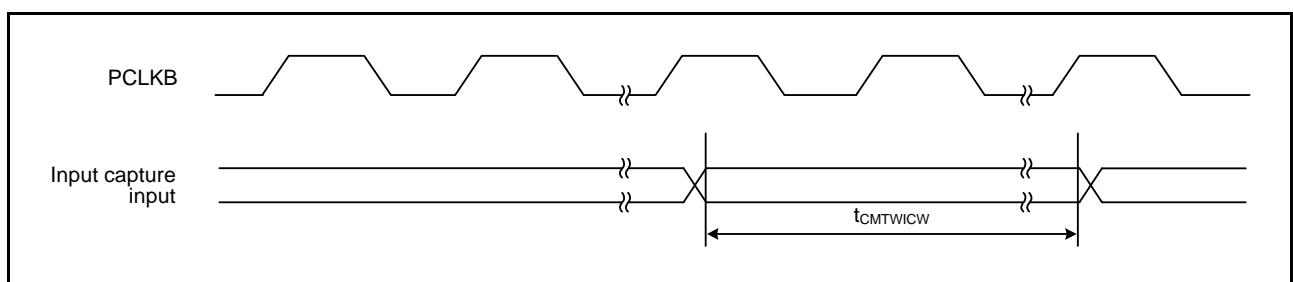


Figure 5.37 CMTW Input Capture Input Timing

Table 5.27 MTU3 Timing

Conditions: $V_{CC} = AVCC0 = AVCC1 = V_{CC_USB} = V_{BATT} = 2.7$ to 3.6 V, $2.7 \leq V_{REFH0} \leq AVCC0$,
 $V_{CC_USBA} = AVCC_USBA = 3.0$ to 3.6 V,
 $V_{SS} = AVSS0 = AVSS1 = V_{REFL0} = V_{SS_USB} = V_{SS1_USBA} = V_{SS2_USBA} = PV_{SS_USBA} = AV_{SS_USBA} = 0$ V,
 $PCLKA = 8$ to 120 MHz, $PCLKB = 8$ to 60 MHz, $T_a = T_{opr}$
 Output load conditions: $V_{OH} = V_{CC} \times 0.5$, $V_{OL} = V_{CC} \times 0.5$, $C = 30$ pF
 High-drive output is selected by the driving ability control register.

| Item | | Symbol | Min. | Max. | Unit*1 | Test Conditions |
|------|---------------------------------|---------------------|------|------|-------------|-----------------|
| MTU3 | Input capture input pulse width | Single-edge setting | 1.5 | — | t_{PAcyc} | Figure 5.38 |
| | | Both-edge setting | 2.5 | — | | |
| | Timer clock pulse width | Single-edge setting | 1.5 | — | t_{PAcyc} | |
| | | Both-edge setting | 2.5 | — | | |
| | | Phase counting mode | 2.5 | — | | |

Note 1. t_{PAcyc} : PCLKA cycle

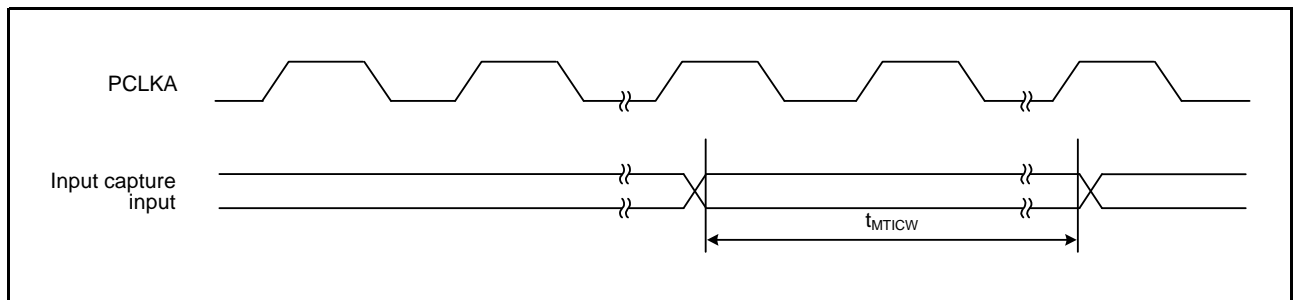


Figure 5.38 MTU3 Input Capture Input Timing

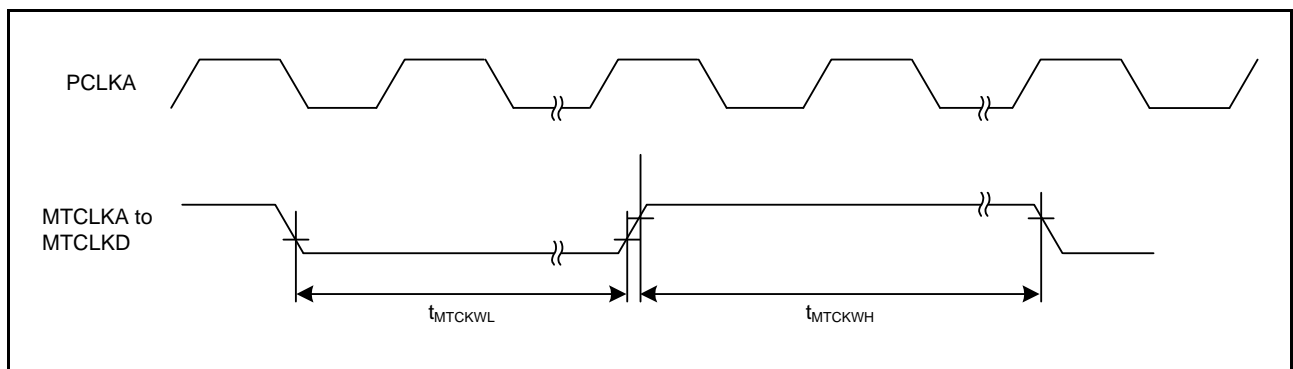


Figure 5.39 MTU3 Clock Input Timing

Table 5.28 POE3 Timing

Conditions: $VCC = AVCC0 = AVCC1 = VCC_USB = V_{BATT} = 2.7$ to 3.6 V, $2.7 \leq VREFH0 \leq AVCC0$,
 $VCC_USBA = AVCC_USBA = 3.0$ to 3.6 V,
 $VSS = AVSS0 = AVSS1 = VREFL0 = VSS_USB = VSS1_USBA = VSS2_USBA = PVSS_USBA = AVSS_USBA = 0$ V,
 $PCLKA = 8$ to 120 MHz, $PCLKB = 8$ to 60 MHz, $T_a = T_{opr}$
 Output load conditions: $V_{OH} = VCC \times 0.5$, $V_{OL} = VCC \times 0.5$, $C = 30$ pF
 High-drive output is selected by the driving ability control register.

| Item | | Symbol | Min. | Max. | Unit*1 | Test Conditions |
|------|------------------------|------------|------|------|-------------|-----------------|
| POE | POE# input pulse width | t_{POEW} | 1.5 | — | t_{PBcyc} | Figure 5.40 |

Note 1. t_{PBcyc} : PCLKB cycle

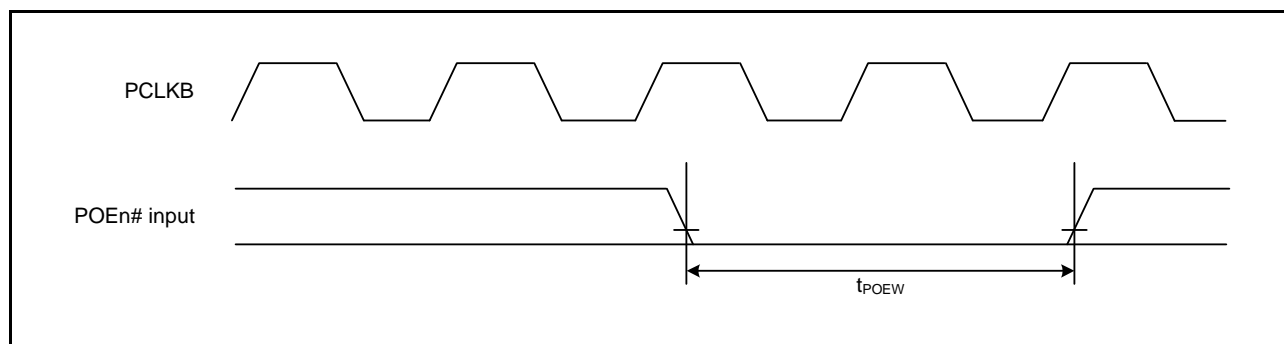


Figure 5.40 POE# Input Timing

Table 5.29 GPT Timing

Conditions: $V_{CC} = AVCC0 = AVCC1 = V_{CC_USB} = V_{BATT} = 2.7$ to 3.6 V, $2.7 \leq V_{REFH0} \leq AVCC0$,
 $V_{CC_USBA} = AVCC_USBA = 3.0$ to 3.6 V,
 $V_{SS} = AVSS0 = AVSS1 = V_{REFL0} = V_{SS_USB} = V_{SS1_USBA} = V_{SS2_USBA} = PVSS_USBA = AVSS_USBA = 0$ V,
 $PCLKA = 8$ to 120 MHz, $PCLKB = 8$ to 60 MHz, $T_a = T_{opr}$
 Output load conditions: $V_{OH} = V_{CC} \times 0.5$, $V_{OL} = V_{CC} \times 0.5$, $C = 30$ pF
 High-drive output is selected by the driving ability control register.

| Item | | Symbol | Min. | Max. | Unit*1 | Test Conditions |
|------|------------------------------------|---------------------|------|------|-------------|-----------------|
| GPT | Input capture input pulse width | Single-edge setting | 3 | — | t_{PACyc} | Figure 5.41 |
| | | Both-edge setting | 5 | — | | |
| | External trigger input pulse width | Single-edge setting | 1.5 | — | t_{PACyc} | |
| | | Both-edge setting | 2.5 | — | | |

Note 1. t_{PACyc} : PCLKA cycle

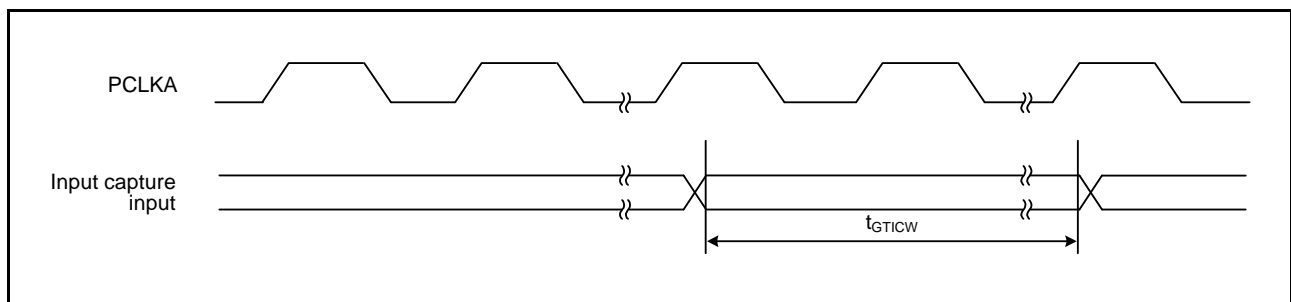


Figure 5.41 GPT Input Capture Input Timing

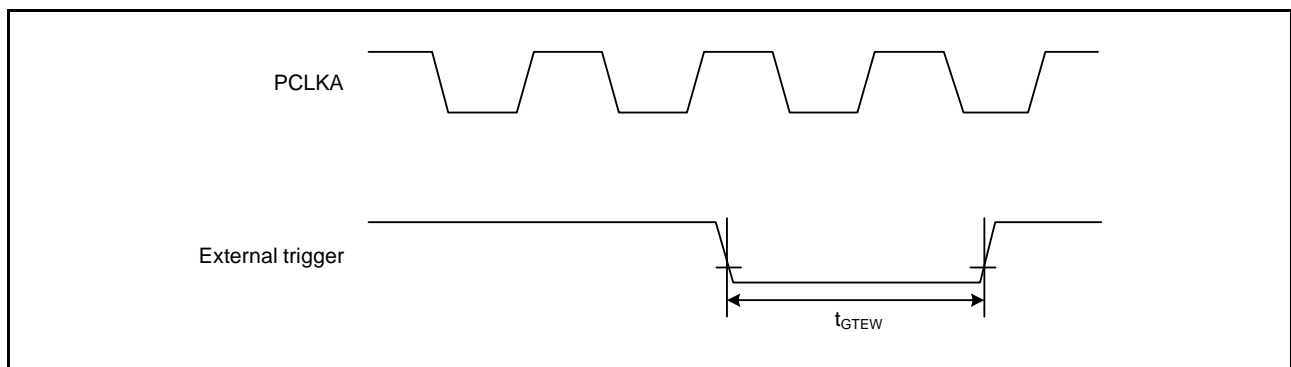


Figure 5.42 GPT External Trigger Input Timing

Table 5.30 A/D Converter Trigger Timing

Conditions: $V_{CC} = AVCC0 = AVCC1 = V_{CC_USB} = V_{BATT} = 2.7$ to 3.6 V, $2.7 \leq V_{REFH0} \leq AVCC0$,
 $V_{CC_USBA} = AVCC_USBA = 3.0$ to 3.6 V,
 $V_{SS} = AVSS0 = AVSS1 = V_{REFL0} = V_{SS_USB} = V_{SS1_USBA} = V_{SS2_USBA} = PV_{SS_USBA} = AV_{SS_USBA} = 0$ V,
 $PCLKA = 8$ to 120 MHz, $PCLKB = 8$ to 60 MHz, $T_a = T_{opr}$
 Output load conditions: $V_{OH} = V_{CC} \times 0.5$, $V_{OL} = V_{CC} \times 0.5$, $C = 30$ pF
 High-drive output is selected by the driving ability control register.

| Item | | Symbol | Min. | Max. | Unit*1 | Test Conditions |
|---------------|---|------------|------|------|-------------|-----------------|
| A/D converter | A/D converter trigger input pulse width | t_{TRGW} | 1.5 | — | t_{PBcyc} | Figure 5.43 |

Note 1. t_{PBcyc} : PCLKB cycle

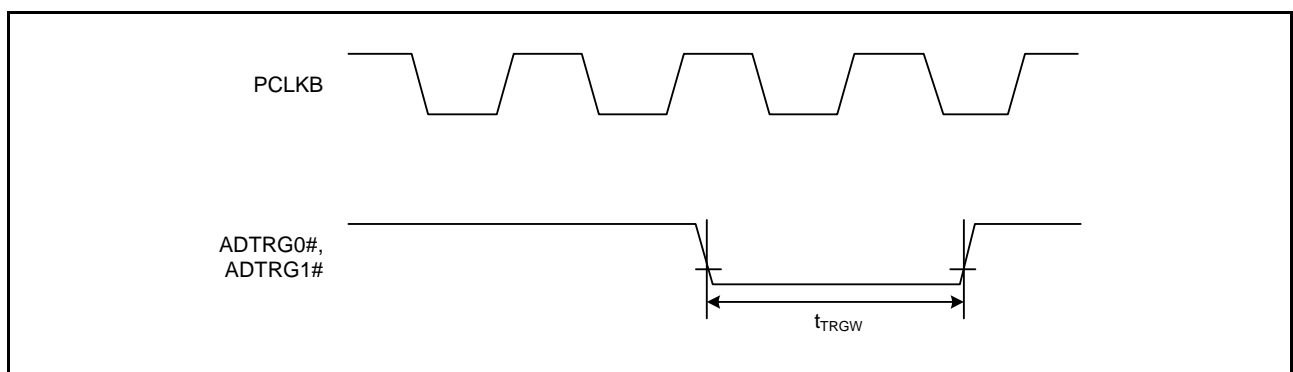


Figure 5.43 A/D Converter Trigger Input Timing

Table 5.31 CAC Timing

Conditions: $V_{CC} = AVCC0 = AVCC1 = V_{CC_USB} = V_{BATT} = 2.7$ to 3.6 V, $2.7 \leq V_{REFH0} \leq AVCC0$,
 $V_{CC_USBA} = AVCC_USBA = 3.0$ to 3.6 V,
 $V_{SS} = AVSS0 = AVSS1 = V_{REFL0} = V_{SS_USB} = V_{SS1_USBA} = V_{SS2_USBA} = PV_{SS_USBA} = AV_{SS_USBA} = 0$ V,
 $PCLKA = 8$ to 120 MHz, $PCLKB = 8$ to 60 MHz, $T_a = T_{opr}$
 Output load conditions: $V_{OH} = V_{CC} \times 0.5$, $V_{OL} = V_{CC} \times 0.5$, $C = 30$ pF
 High-drive output is selected by the driving ability control register.

| Item*1, *2 | | Symbol | Min.*1 | Max. | Unit*1 | Test Conditions |
|------------|--------------------------|--------------|--------------------------|-----------------------------|--------|-----------------|
| CAC | CACREF input pulse width | t_{CACREF} | $t_{PBcyc} \leq t_{cac}$ | $4.5 t_{cac} + 3 t_{PBcyc}$ | — | ns |
| | | | $t_{PBcyc} > t_{cac}$ | $5 t_{cac} + 6.5 t_{PBcyc}$ | — | |

Note 1. t_{PBcyc} : PCLKB cycle

Note 2. t_{CAC} : CAC count clock source cycle

Table 5.32 SCI and SCIF Timing

Conditions: $V_{CC} = AVCC0 = AVCC1 = V_{CC_USB} = V_{BATT} = 2.7$ to 3.6 V, $2.7 \leq V_{REFH0} \leq AVCC0$,
 $V_{CC_USBA} = AVCC_USBA = 3.0$ to 3.6 V,
 $V_{SS} = AVSS0 = AVSS1 = V_{REFL0} = V_{SS_USB} = V_{SS1_USBA} = V_{SS2_USBA} = PVSS_USBA = AVSS_USBA = 0$ V,
 $PCLKA = 8$ to 120 MHz, $PCLKB = 8$ to 60 MHz, $T_a = T_{opr}$
Output load conditions: $V_{OH} = V_{CC} \times 0.5$, $V_{OL} = V_{CC} \times 0.5$, $C = 30$ pF
High-drive output is selected by the driving ability control register.

| Item | | Symbol | Min.*1 | Max.*1 | Unit*1 | Test Conditions | | |
|-------------------------|--------------------------|-------------------|---------------------------|--------|---------------------------|-----------------|-------------|-------------|
| SCI | Input clock cycle | Asynchronous | t_{Scyc} | 4 | — | t_{PBcyc} | Figure 5.44 | |
| | | Clock synchronous | | 6 | — | | | |
| | Input clock pulse width | | t_{SCKW} | 0.4 | 0.6 | t_{Scyc} | | |
| | Input clock rise time | | t_{SCKr} | — | 5 | ns | | |
| | Input clock fall time | | t_{SCKf} | — | 5 | ns | | |
| | Output clock cycle | Asynchronous*2 | t_{Scyc} | 8 | — | t_{PBcyc} | | |
| | | Clock synchronous | | 4 | — | | | |
| | Output clock pulse width | | t_{SCKW} | 0.4 | 0.6 | t_{Scyc} | | |
| | Output clock rise time | | t_{SCKr} | — | 5 | ns | | |
| | Output clock fall time | | t_{SCKf} | — | 5 | ns | | |
| | Transmit data delay time | Clock synchronous | t_{TXD} | — | 28 | ns | | Figure 5.45 |
| | Receive data setup time | Clock synchronous | t_{RXS} | 15 | — | ns | | |
| Receive data hold time | Clock synchronous | t_{RXH} | 5 | — | ns | | | |
| SCIF | Input clock cycle | Asynchronous | t_{Scyc} | 4 | — | t_{PAcyc} | Figure 5.44 | |
| | | Clock synchronous | | 12 | — | | | |
| | Input clock pulse width | | t_{SCKW} | 0.4 | 0.6 | t_{Scyc} | | |
| | Input clock rise time | | t_{SCKr} | — | 5 | ns | | |
| | Input clock fall time | | t_{SCKf} | — | 5 | ns | | |
| | Output clock cycle | Asynchronous*3 | t_{Scyc} | 8 | — | t_{PAcyc} | | |
| | | Clock synchronous | | 4 | — | | | |
| | Output clock pulse width | | t_{SCKW} | 0.4 | 0.6 | t_{Scyc} | | |
| | Output clock rise time | | t_{SCKr} | — | 5 | ns | | |
| | Output clock fall time | | t_{SCKf} | — | 5 | ns | | |
| | Transmit data delay time | Master | t_{TXD} | — | 10 | ns | | Figure 5.45 |
| | | Slave | | — | $4 \times t_{PAcyc} + 20$ | | | |
| Receive data setup time | Master | t_{RXS} | $3 \times t_{PAcyc} + 20$ | — | ns | | | |
| | Slave | | $t_{PAcyc} + 10$ | — | | | | |
| Receive data hold time | Master | t_{RXH} | $-3 \times t_{PAcyc} + 5$ | — | ns | | | |
| | Slave | | $2 \times t_{PAcyc} + 10$ | — | | | | |

Note 1. t_{PBcyc} : PCLKB cycle; t_{PAcyc} : PCLKA cycle

Note 2. When the SEMR.ABCS and SEMR.BGDM bits are set to 1

Note 3. When the SEMR.ABCS0 and SEMR.BGDM bits are set to 1

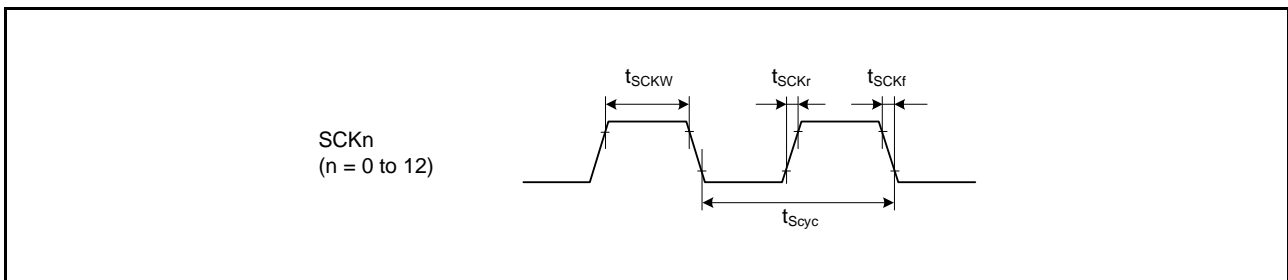


Figure 5.44 SCK Clock Input Timing

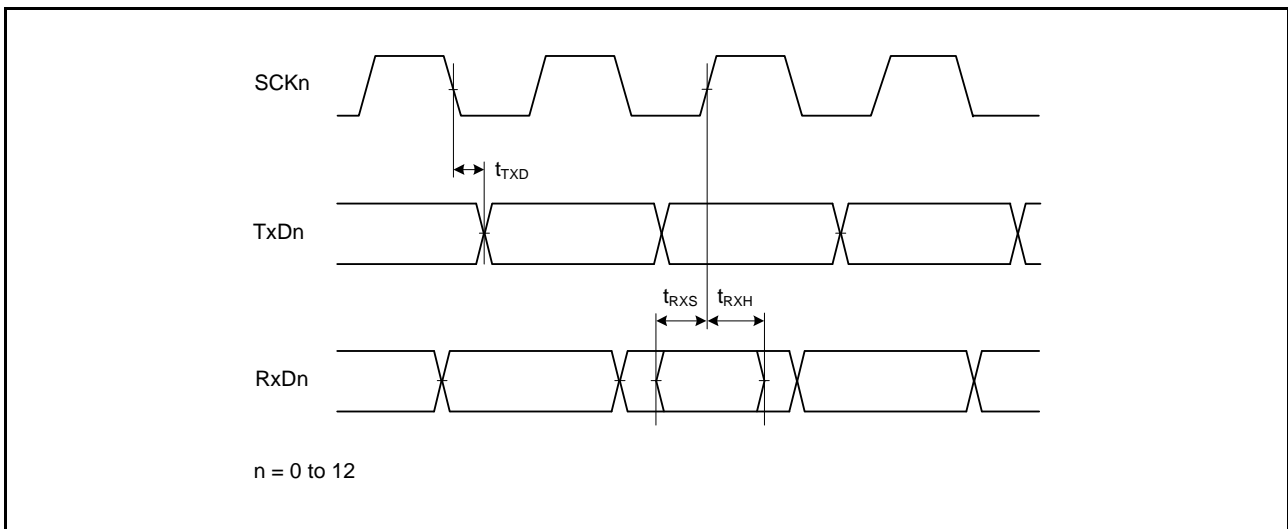


Figure 5.45 SCI Input/Output Timing: Clock Synchronous Mode

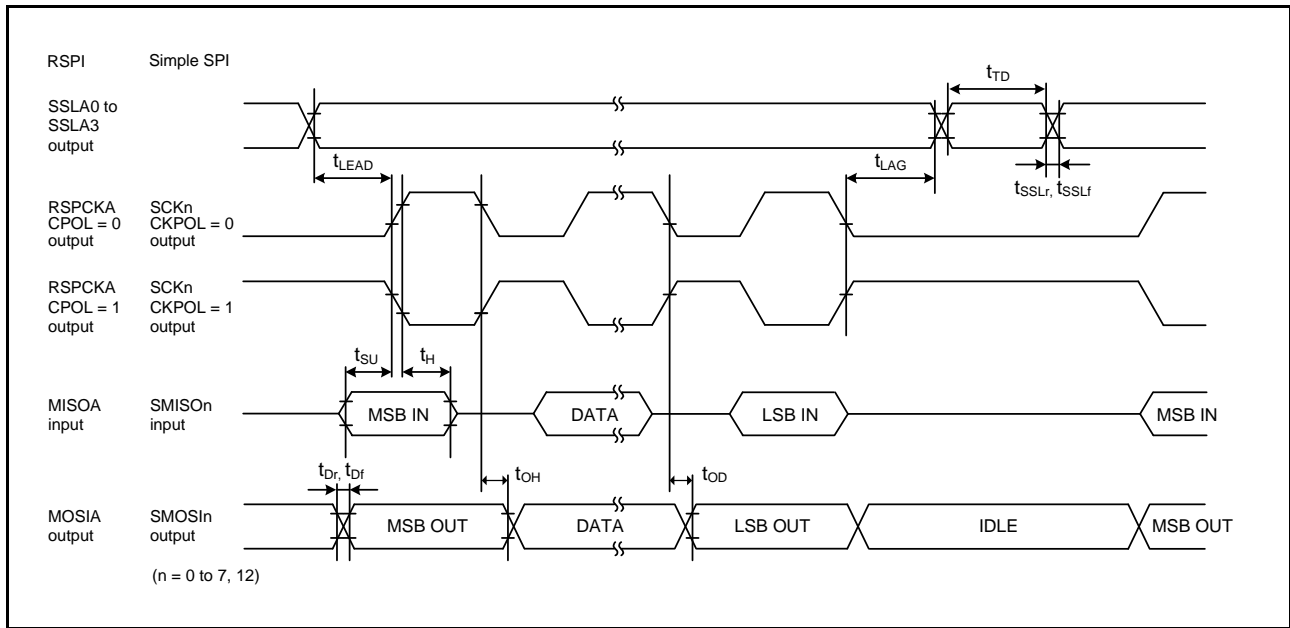


Figure 5.47 RSPI Timing (Master, CPHA = 0) (Bit Rate: PCLKB Division Ratio Set to a Value Other Than 1/2) and Simple SPI Timing (Master, CKPH = 1)

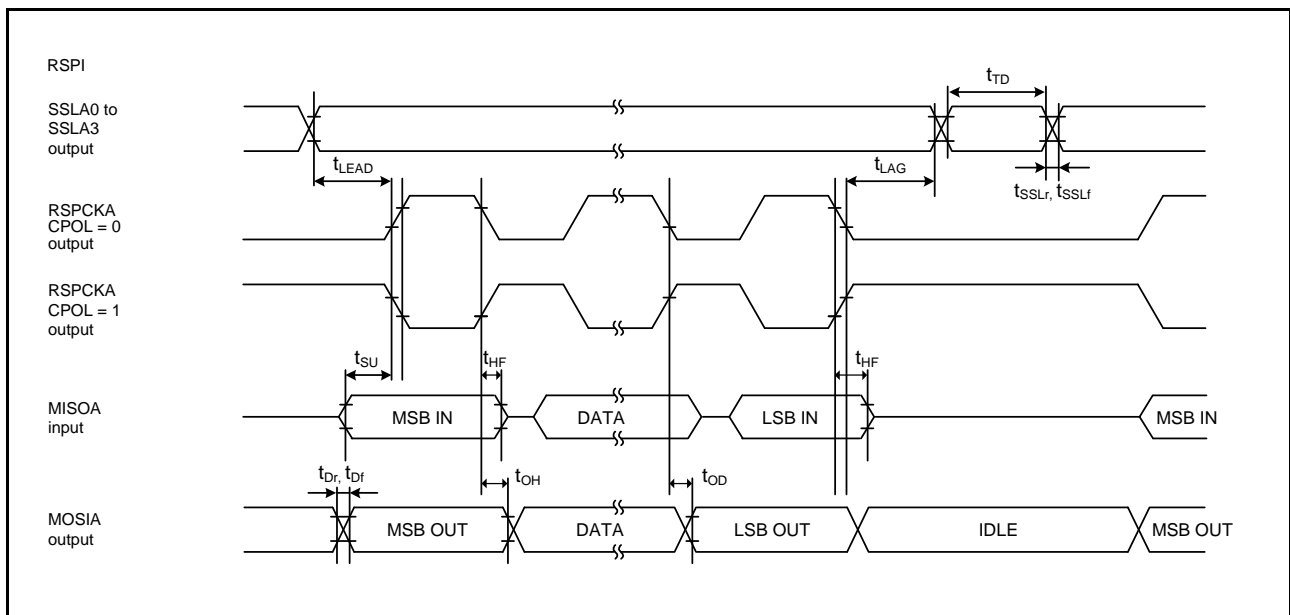


Figure 5.48 RSPI Timing (Master, CPHA = 0) (Bit Rate: PCLKB Division Ratio Set to 1/2)

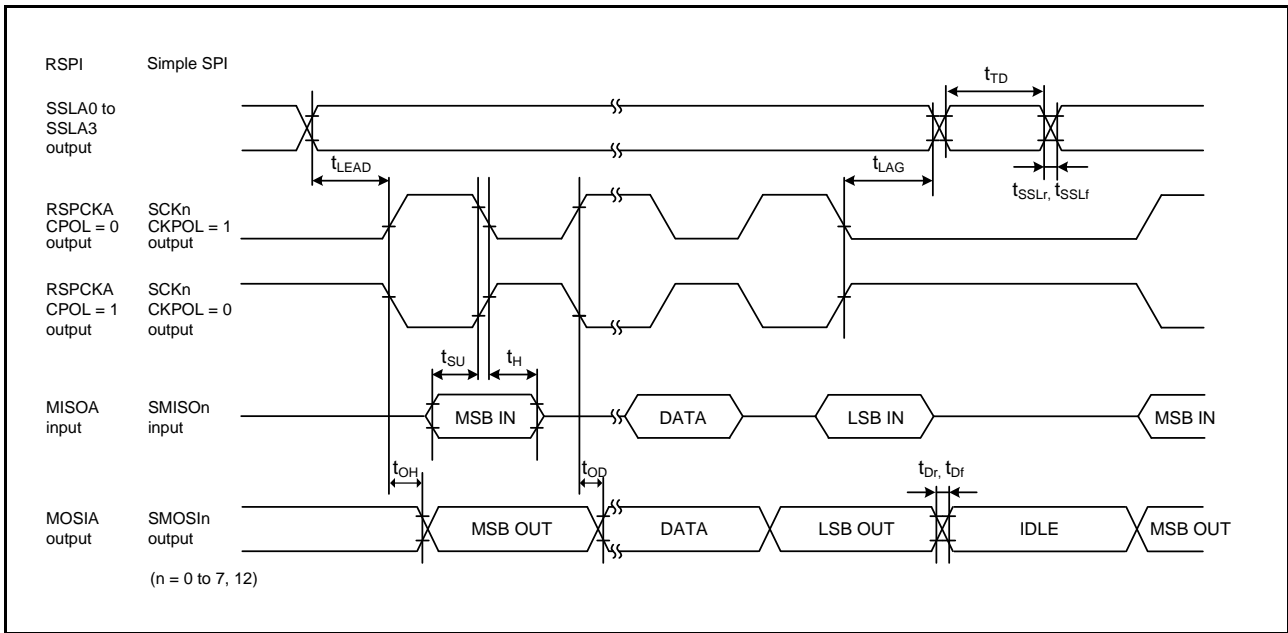


Figure 5.49 RSPI Timing (Master, CPHA = 1) (Bit Rate: PCLKB Division Ratio Set to a Value Other Than 1/2) and Simple SPI Timing (Master, CKPH = 0)

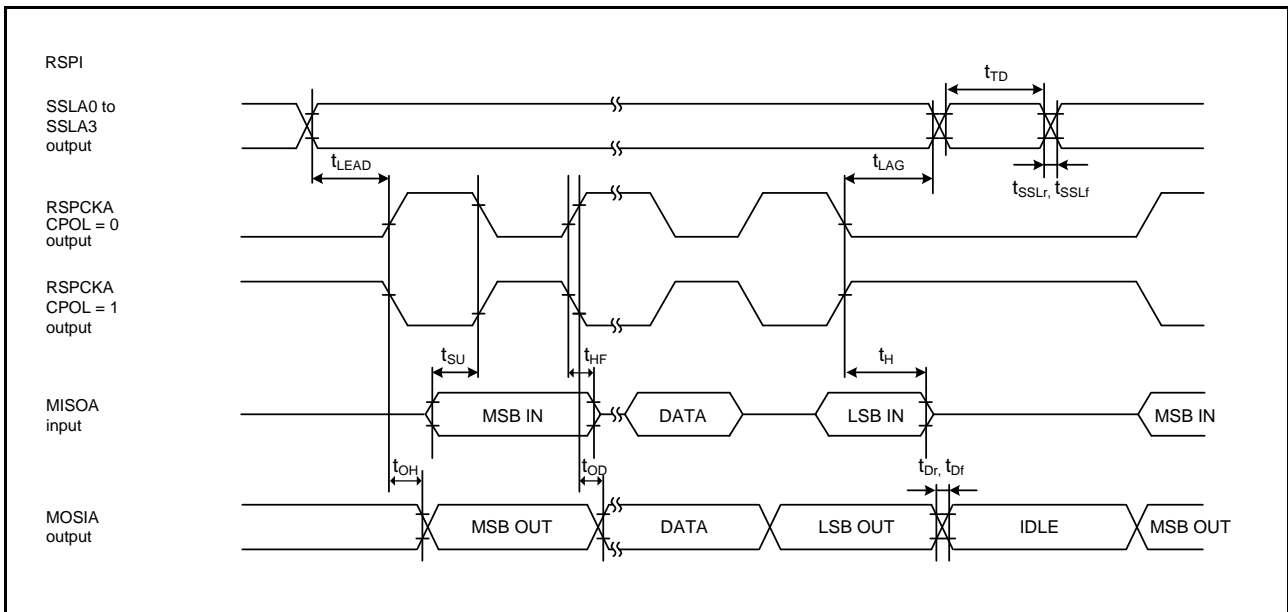


Figure 5.50 RSPI Timing (Master, CPHA = 1) (Bit Rate: PCLKB Division Ratio Set to 1/2)

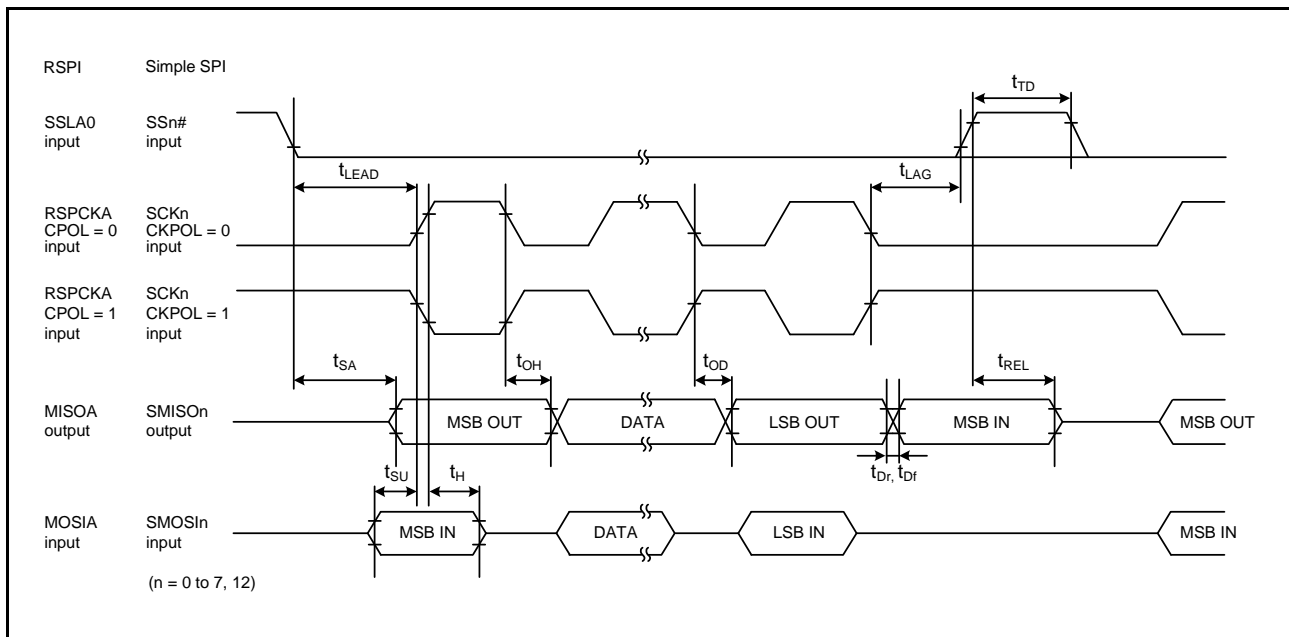


Figure 5.51 RSPI Timing (Slave, CPHA = 0) and Simple SPI Timing (Slave, CKPH = 1)

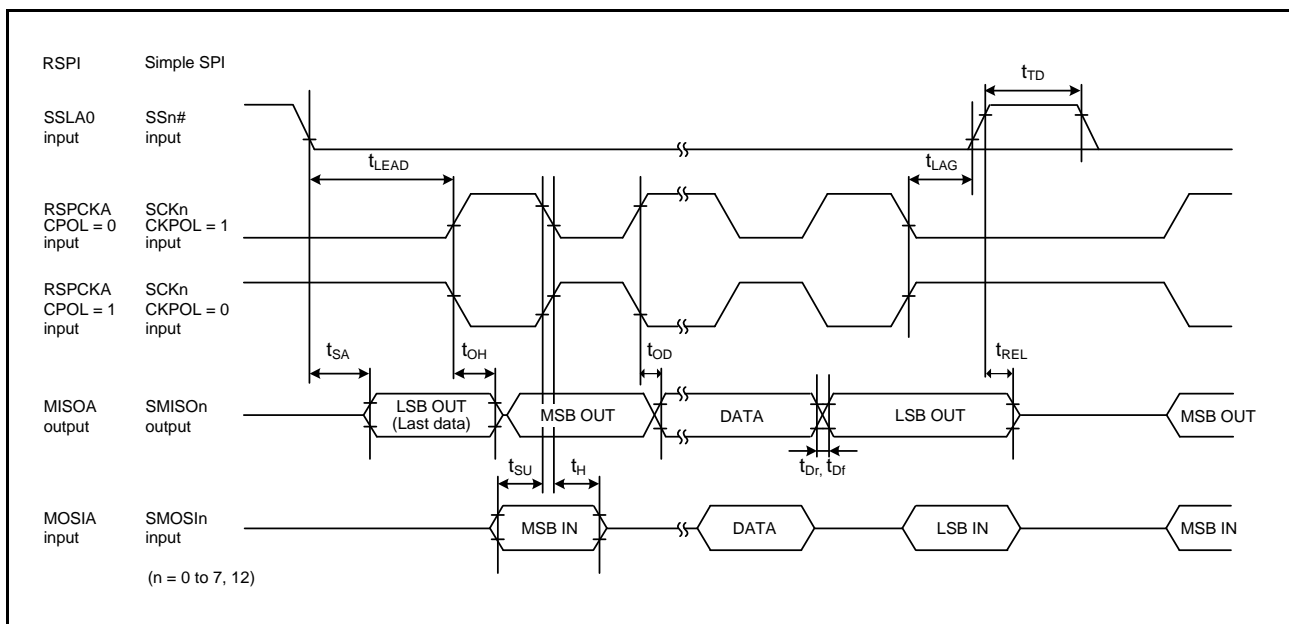


Figure 5.52 RSPI Timing (Slave, CPHA = 1) and Simple SPI Timing (Slave, CKPH = 0)

Table 5.35 QSPI Timing

Conditions: $V_{CC} = AVCC0 = AVCC1 = V_{CC_USB} = V_{BATT} = 2.7$ to 3.6 V, $2.7 \leq V_{REFH0} \leq AVCC0$,
 $V_{CC_USBA} = AVCC_USBA = 3.0$ to 3.6 V,
 $V_{SS} = AVSS0 = AVSS1 = V_{REFL0} = V_{SS_USB} = V_{SS1_USBA} = V_{SS2_USBA} = PVSS_USBA = AVSS_USBA = 0$ V,
 $PCLKA = 8$ to 120 MHz, $PCLKB = 8$ to 60 MHz, $T_a = T_{opr}$
 Output load conditions: $V_{OH} = V_{CC} \times 0.5$, $V_{OL} = V_{CC} \times 0.5$, $C = 30$ pF
 High-drive output is selected by the driving ability control register.

| Item | Symbol | Min. | Max. | Unit*1 | Test Conditions*2 | |
|------|------------------------------------|-------------|------|--------|-------------------|-----------------------------|
| QSPI | QSPCLK clock cycle | t_{QScyc} | 2 | 4080 | t_{PBcyc} | Figure 5.53 |
| | Data input setup time | t_{Su} | 6.5 | — | ns | Figure 5.54, Figure 5.55 |
| | Data input hold time | t_{IH} | 5 | — | ns | |
| | SS setup time | t_{LEAD} | 1.5 | 8.5 | t_{QScyc} | |
| | SS hold time | t_{LAG} | 1 | 8 | t_{QScyc} | |
| | Data output delay time | t_{OD} | — | 10.0 | ns | |
| | Data output hold time | t_{OH} | -5 | — | ns | |
| | Successive transmission delay time | t_{TD} | 1 | 8 | t_{QScyc} | |

Note 1. t_{PBcyc} : PCLKB cycle

Note 2. We recommend using pins that have a letter (“-A”, “-B”, etc.) to indicate group membership appended to their names as groups. For the QSPI interface, the AC portion of the electrical characteristics is measured for each group.

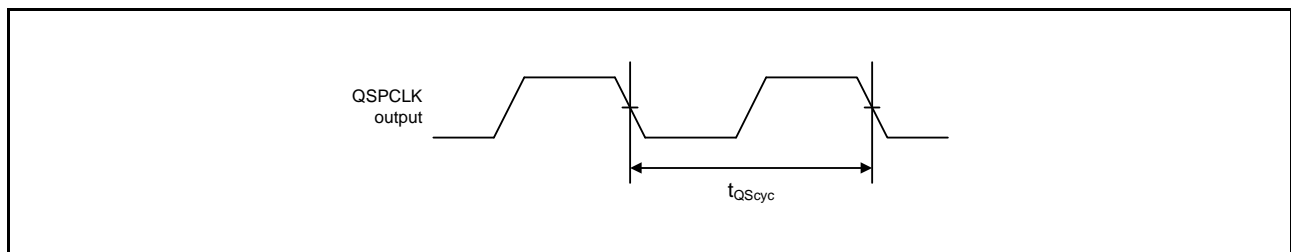


Figure 5.53 QSPI Clock Timing

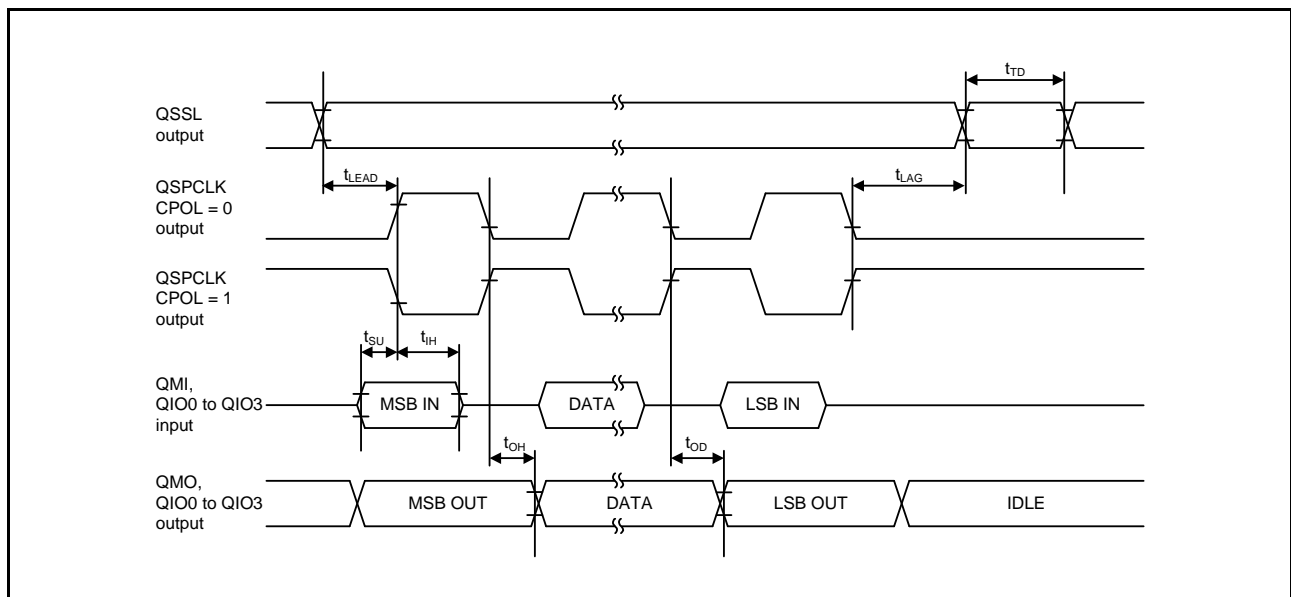


Figure 5.54 Transmit/Receive Timing (CPHA = 0)

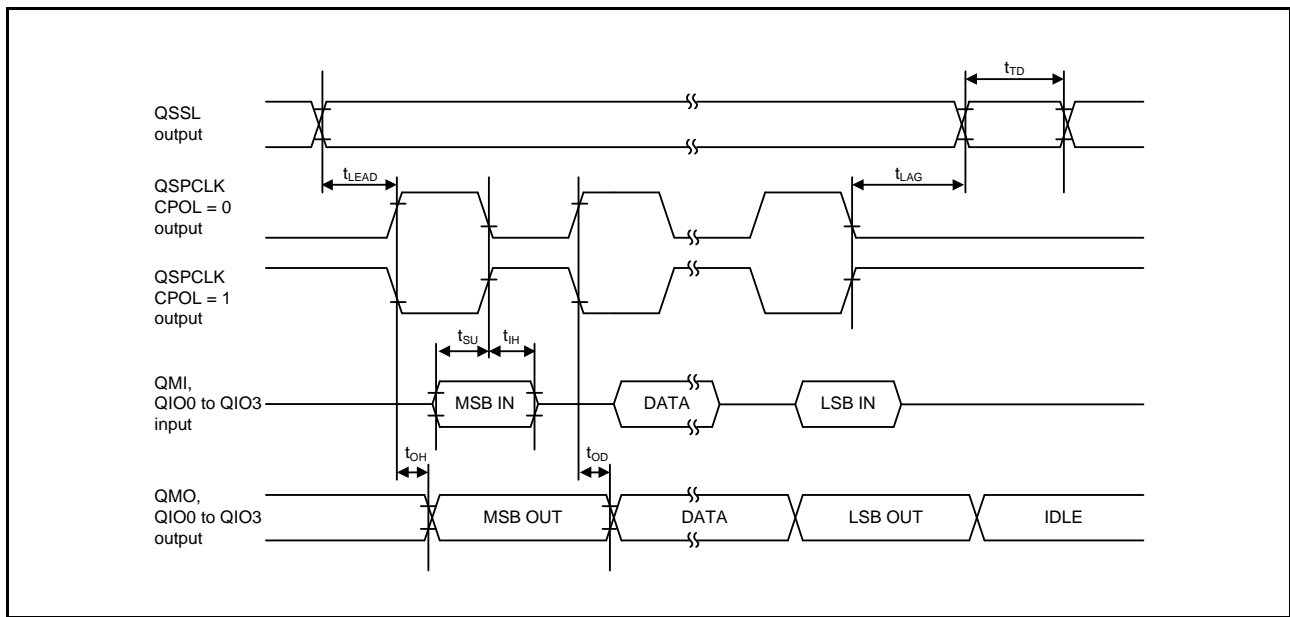


Figure 5.55 Transmit/Receive Timing (CPHA = 1)

Table 5.36 RIIC Timing (1)

Conditions: $V_{CC} = AVCC0 = AVCC1 = V_{CC_USB} = V_{BATT} = 2.7$ to 3.6 V, $2.7 \leq V_{REFH0} \leq AVCC0$,
 $V_{CC_USBA} = AVCC_USBA = 3.0$ to 3.6 V,
 $V_{SS} = AVSS0 = AVSS1 = V_{REFL0} = V_{SS_USB} = V_{SS1_USBA} = V_{SS2_USBA} = PV_{SS_USBA} = AV_{SS_USBA} = 0$ V,
 $PCLKA = 8$ to 120 MHz, $PCLKB = 8$ to 60 MHz, $T_a = T_{opr}$
 High-drive output is selected by the driving ability control register.

| Item | | Symbol | Min.*1, *2 | Max. | Unit | Test Conditions |
|---|---|------------|--|--------------------------|------|-----------------|
| RIIC (Standard-mode, SMBus) ICFER.FMPE = 0 | SCL input cycle time | t_{SCL} | $6(12) \times t_{IICcyc} + 1300$ | — | ns | Figure 5.56 |
| | SCL input high pulse width | t_{SCLH} | $3(6) \times t_{IICcyc} + 300$ | — | ns | |
| | SCL input low pulse width | t_{SCLL} | $3(6) \times t_{IICcyc} + 300$ | — | ns | |
| | SCL, SDA input rise time | t_{Sr} | — | 1000 | ns | |
| | SCL, SDA input fall time | t_{Sf} | — | 300 | ns | |
| | SCL, SDA input spike pulse removal time | t_{SP} | 0 | $1(4) \times t_{IICcyc}$ | ns | |
| | SDA input bus free time | t_{BUF} | $3(6) \times t_{IICcyc} + 300$ | — | ns | |
| | Start condition input hold time | t_{STAH} | $t_{IICcyc} + 300$ | — | ns | |
| | Restart condition input setup time | t_{STAS} | 1000 | — | ns | |
| | Stop condition input setup time | t_{STOS} | 1000 | — | ns | |
| | Data input setup time | t_{SDAS} | $t_{IICcyc} + 50$ | — | ns | |
| | Data input hold time | t_{SDAH} | 0 | — | ns | |
| | SCL, SDA capacitive load | C_b | — | 400 | pF | |
| RIIC (Fast-mode) ICFER.FMPE = 0 | SCL input cycle time | t_{SCL} | $6(12) \times t_{IICcyc} + 600$ | — | ns | |
| | SCL input high pulse width | t_{SCLH} | $3(6) \times t_{IICcyc} + 300$ | — | ns | |
| | SCL input low pulse width | t_{SCLL} | $3(6) \times t_{IICcyc} + 300$ | — | ns | |
| | SCL, SDA input rise time | t_{Sr} | $20 \times (\text{External pull-up voltage}/5.5V)$ | 300 | ns | |
| | SCL, SDA input fall time | t_{Sf} | $20 \times (\text{External pull-up voltage}/5.5V)$ | 300 | ns | |
| | SCL, SDA input spike pulse removal time | t_{SP} | 0 | $1(4) \times t_{IICcyc}$ | ns | |
| | SDA input bus free time | t_{BUF} | $3(6) \times t_{IICcyc} + 300$ | — | ns | |
| | Start condition input hold time | t_{STAH} | $t_{IICcyc} + 300$ | — | ns | |
| | Restart condition input setup time | t_{STAS} | 300 | — | ns | |
| | Stop condition input setup time | t_{STOS} | 300 | — | ns | |
| | Data input setup time | t_{SDAS} | $t_{IICcyc} + 50$ | — | ns | |
| | Data input hold time | t_{SDAH} | 0 | — | ns | |
| | SCL, SDA capacitive load | C_b | — | 400 | pF | |

Note: t_{IICcyc} : RIIC internal reference clock (IIC ϕ) cycle

Note 1. The value within parentheses is applicable when the value of the ICMR3.NF[1:0] bits is 11b while the digital filter is enabled by the setting ICFER.NFE = 1.

Note 2. C_b is the total capacitance of the bus lines.

Table 5.37 RIIC Timing (2)

Conditions: $V_{CC} = AVCC0 = AVCC1 = V_{CC_USB} = V_{BATT} = 2.7$ to 3.6 V, $2.7 \leq V_{REFH0} \leq AVCC0$,
 $V_{CC_USBA} = AVCC_USBA = 3.0$ to 3.6 V,
 $V_{SS} = AVSS0 = AVSS1 = V_{REFL0} = V_{SS_USB} = V_{SS1_USBA} = V_{SS2_USBA} = PV_{SS_USBA} = AV_{SS_USBA} = 0$ V,
 $PCLKA = 8$ to 120 MHz, $PCLKB = 8$ to 60 MHz, $T_a = T_{opr}$
 High-drive output is selected by the driving ability control register.

| Item | | Symbol | Min.*1, *2 | Max. | Unit | Test Conditions |
|--|---|------------|---------------------------------|--------------------------|------|-----------------|
| RIIC (Fast-mode+) ICFER.FMPE = 1 | SCL input cycle time | t_{SCL} | $6(12) \times t_{IICcyc} + 240$ | — | ns | Figure 5.56 |
| | SCL input high pulse width | t_{SCLH} | $3(6) \times t_{IICcyc} + 120$ | — | ns | |
| | SCL input low pulse width | t_{SCLL} | $3(6) \times t_{IICcyc} + 120$ | — | ns | |
| | SCL, SDA input rise time | t_{Sr} | — | 120 | ns | |
| | SCL, SDA input fall time | t_{Sf} | — | 120 | ns | |
| | SCL, SDA input spike pulse removal time | t_{SP} | 0 | $1(4) \times t_{IICcyc}$ | ns | |
| | SDA input bus free time | t_{BUF} | $3(6) \times t_{IICcyc} + 120$ | — | ns | |
| | Start condition input hold time | t_{STAH} | $t_{IICcyc} + 120$ | — | ns | |
| | Restart condition input setup time | t_{STAS} | 120 | — | ns | |
| | Stop condition input setup time | t_{STOS} | 120 | — | ns | |
| | Data input setup time | t_{SDAS} | $t_{IICcyc} + 20$ | — | ns | |
| | Data input hold time | t_{SDAH} | 0 | — | ns | |
| | SCL, SDA capacitive load | C_b | — | 550 | pF | |
| Simple IIC (Standard-mode) | SDA input rise time | t_{Sr} | — | 1000 | ns | |
| | SDA input fall time | t_{Sf} | — | 300 | ns | |
| | SDA input spike pulse removal time | t_{SP} | 0 | $4 \times t_{PBcyc}$ | ns | |
| | Data input setup time | t_{SDAS} | 250 | — | ns | |
| | Data input hold time | t_{SDAH} | 0 | — | ns | |
| | SCL, SDA capacitive load | C_b | — | 400 | pF | |
| Simple IIC (Fast-mode) | SCL, SDA input rise time | t_{Sr} | — | 300 | ns | |
| | SCL, SDA input fall time | t_{Sf} | — | 300 | ns | |
| | SCL, SDA input spike pulse removal time | t_{SP} | 0 | $4 \times t_{PBcyc}$ | ns | |
| | Data input setup time | t_{SDAS} | 100 | — | ns | |
| | Data input hold time | t_{SDAH} | 0 | — | ns | |
| | SCL, SDA capacitive load | C_b | — | 400 | pF | |

Note: t_{IICcyc} : RIIC internal reference clock (IIC ϕ) cycle, t_{PBcyc} : PCLKB cycle

Note 1. The value within parentheses is applicable when the value of the ICMR3.NF[1:0] bits is 11b while the digital filter is enabled by the setting ICFER.NFE = 1.

Note 2. C_b is the total capacitance of the bus lines.

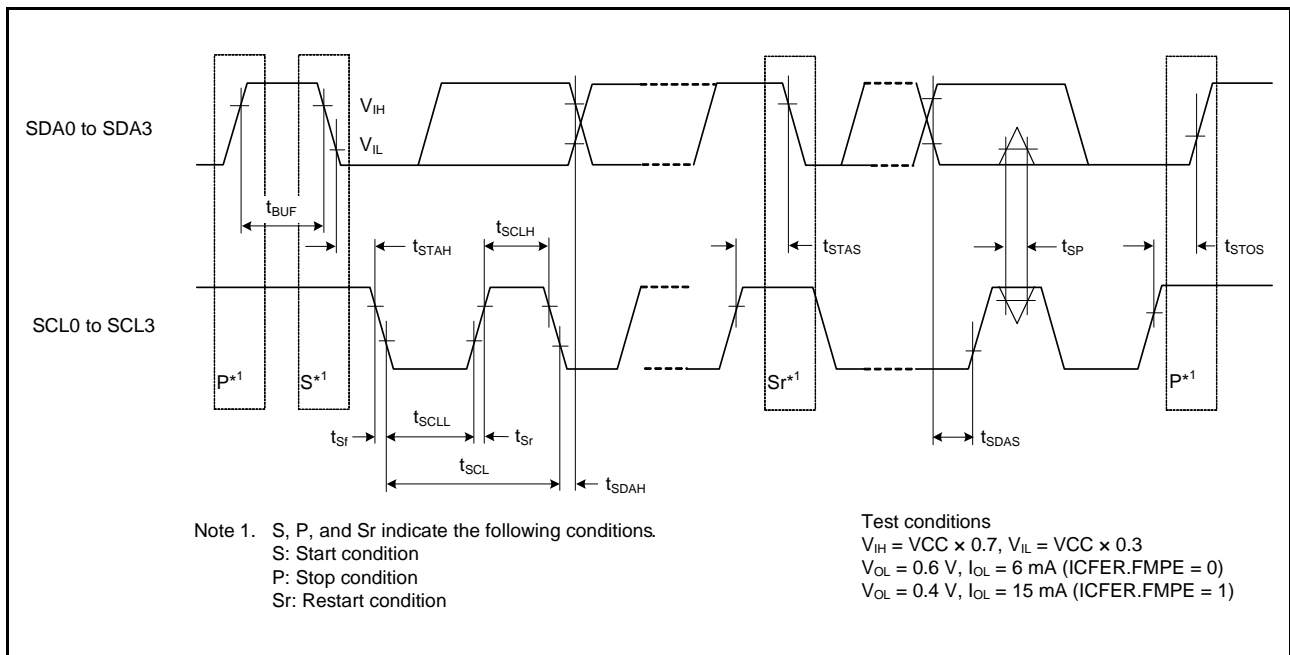


Figure 5.56 R/IIC Bus Interface Input/Output Timing and Simple IIC Bus Interface Input/Output Timing

Table 5.38 Serial Sound Interface Timing

Conditions: $V_{CC} = AVCC0 = AVCC1 = V_{CC_USB} = V_{BATT} = 2.7$ to 3.6 V, $2.7 \leq VREFH0 \leq AVCC0$,
 $V_{CC_USBA} = AVCC_USBA = 3.0$ to 3.6 V,
 $V_{SS} = AVSS0 = AVSS1 = VREFL0 = V_{SS_USB} = V_{SS1_USBA} = V_{SS2_USBA} = PV_{SS_USBA} = AV_{SS_USBA} = 0$ V,
 $PCLKA = 8$ to 120 MHz, $PCLKB = 8$ to 60 MHz, $T_a = T_{opr}$
 Output load conditions: $V_{OH} = V_{CC} \times 0.5$, $V_{OL} = V_{CC} \times 0.5$, $C = 30$ pF
 High-drive output is selected by the driving ability control register.

| Item | Symbol | Min. | Max. | Unit | Test Conditions |
|------|-------------------------------------|------|-------|------|-----------------|
| SSI | AUDIO_CLK input frequency | — | 50 | MHz | |
| | Output clock cycle | 150 | 64000 | ns | Figure 5.57 |
| | Input clock cycle | 150 | 64000 | ns | |
| | Clock high level | 60 | — | ns | |
| | Clock low level | 60 | — | ns | |
| | Clock rising time | — | 25 | ns | |
| | Data delay time | -5 | 25 | ns | |
| | Setup time | 25 | — | ns | |
| | Hold time | 25 | — | ns | Figure 5.60 |
| | WS change edge SSIDATA output delay | — | 25 | ns | |

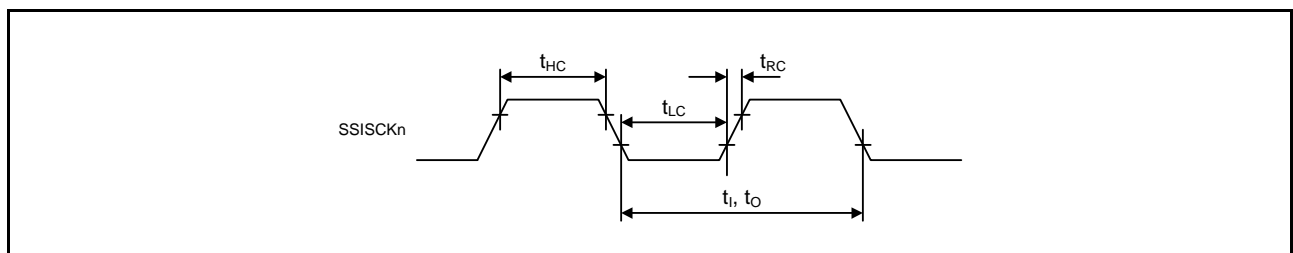


Figure 5.57 Clock Input/Output Timing

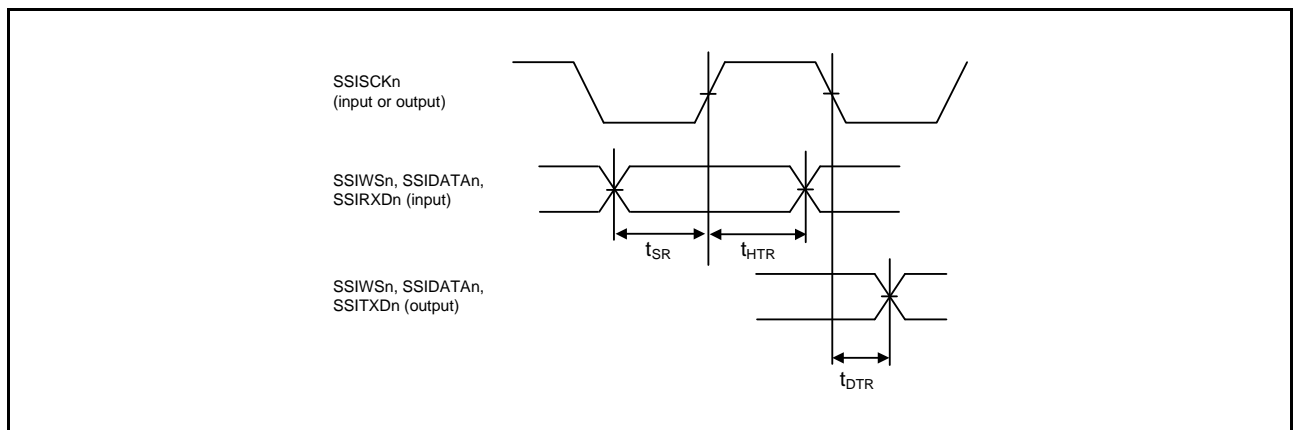


Figure 5.58 Transmit/Receive Timing (SSISCKn Rising Synchronous)

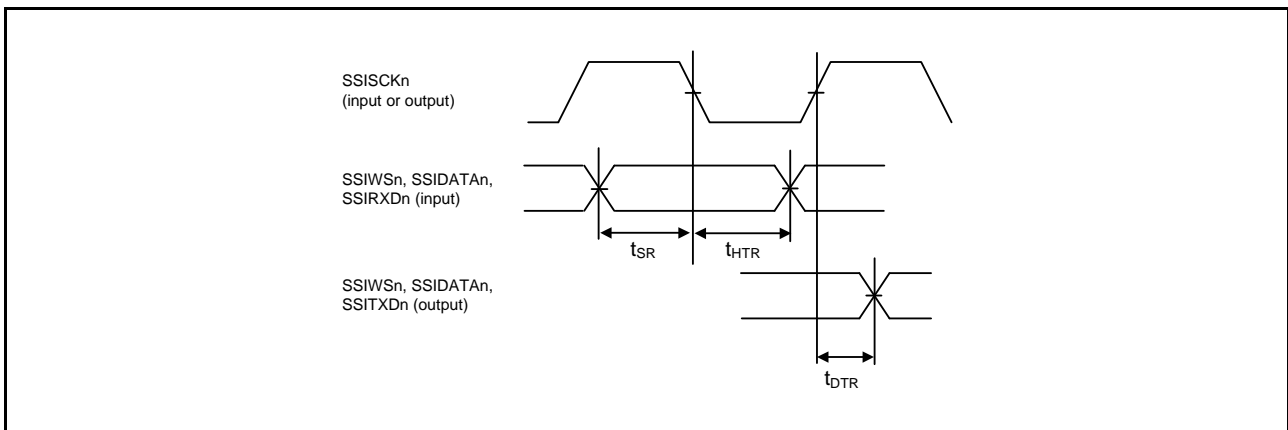


Figure 5.59 Transmit/Receive Timing (SSISCKn Falling Synchronous)

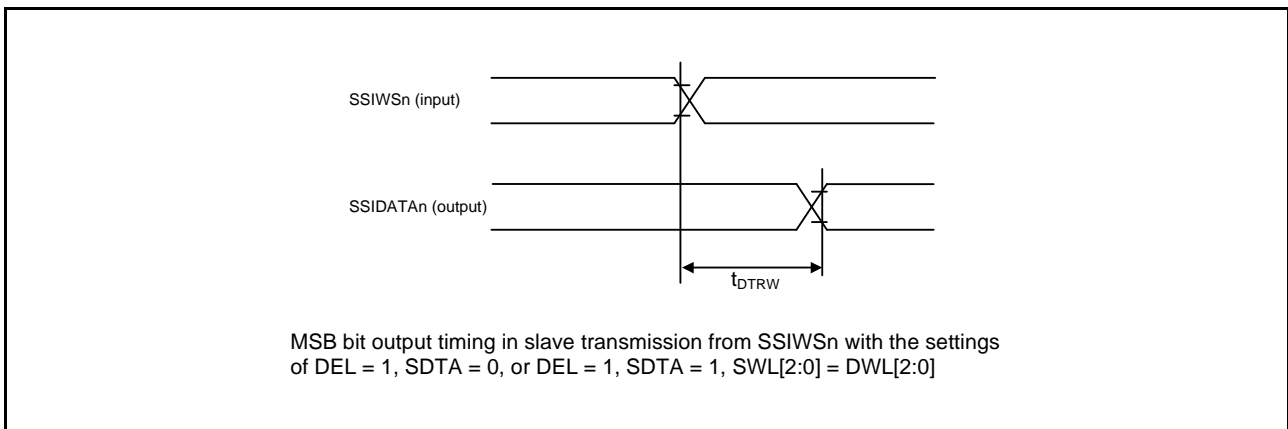


Figure 5.60 SSIDATA Output Delay from SSIWSn Change Edge

Table 5.39 MMC Host Interface Timing

Conditions: $V_{CC} = AVCC0 = AVCC1 = V_{CC_USB} = V_{BATT} = 2.7$ to 3.6 V, $2.7 \leq V_{REFH0} \leq AVCC0$,
 $V_{CC_USBA} = AVCC_USBA = 3.0$ to 3.6 V,
 $V_{SS} = AVSS0 = AVSS1 = V_{REFL0} = V_{SS_USB} = V_{SS1_USBA} = V_{SS2_USBA} = PV_{SS_USBA} = AV_{SS_USBA} = 0$ V,
 $PCLKA = 8$ to 120 MHz, $PCLKB = 8$ to 60 MHz, $T_a = T_{opr}$
 Output load conditions: $V_{OH} = V_{CC} \times 0.5$, $V_{OL} = V_{CC} \times 0.5$, $C = 30$ pF
 High-drive output is selected by the driving ability control register.

| Item | | Symbol | Min.*1 | Max. | Unit | Test Conditions*2 |
|-------|--|---------------|----------------------|------|------|-------------------|
| MMCIF | MMC_CLK clock cycle | t_{MMCPP} | $2 \times t_{PBcyc}$ | — | ns | Figure 5.61 |
| | MMC_CLK clock high level width | t_{MMCWH} | 6.5 | — | ns | |
| | MMC_CLK clock low level width | t_{MMCWL} | 6.5 | — | ns | |
| | MMC_CLK clock rising time | t_{MMCLH} | — | 5 | ns | |
| | MMC_CLK clock falling time | t_{MMCHL} | — | 5 | ns | |
| | MMC_CMD, MMC_D7 to MMC_D0 output data delay (data transfer mode) | $t_{MMCODLY}$ | -6.5 | 6.5 | ns | |
| | MMC_CMD, MMC_D7 to MMC_D0 input data setup | t_{MMCISU} | 8 | — | ns | |
| | MMC_CMD, MMC_D7 to MMC_D0 input data hold | t_{MMCIH} | 2 | — | ns | |

Note 1. t_{PBcyc} : PCLKB cycle
 Note 2. We recommend using pins that have a letter (“-A”, “-B”, etc.) to indicate group membership appended to their names as groups. For the MMC interface, the AC portion of the electrical characteristics is measured for each group.

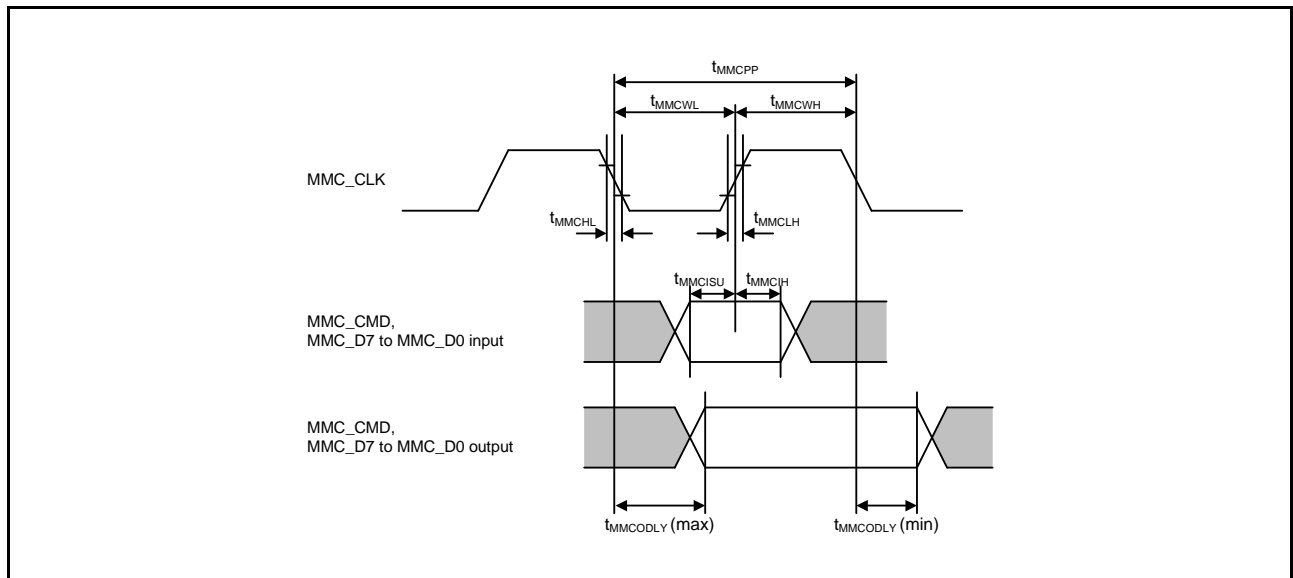


Figure 5.61 MMC Interface

Table 5.40 ETHERC Timing

Conditions: $V_{CC} = AVCC0 = AVCC1 = V_{CC_USB} = V_{BATT} = 2.7$ to 3.6 V, $2.7 \leq V_{REFH0} \leq AVCC0$,
 $V_{CC_USBA} = AVCC_USBA = 3.0$ to 3.6 V,
 $V_{SS} = AVSS0 = AVSS1 = V_{REFL0} = V_{SS_USB} = V_{SS1_USBA} = V_{SS2_USBA} = PV_{SS_USBA} = AVSS_USBA = 0$ V,
 $PCLKA = 8$ to 120 MHz, $PCLKB = 8$ to 60 MHz, $T_a = T_{opr}$
Output load conditions: $V_{OH} = V_{CC} \times 0.5$, $V_{OL} = V_{CC} \times 0.5$, $C = 30$ pF
High-drive output is selected by the driving ability control register.

| Item | | Symbol | Min. | Max. | Unit | Test Conditions |
|------------------|--|---------------|------|--------------|------|-------------------------------|
| ETHERC (RMII) | REF50CK cycle time | T_{ck} | 20 | — | ns | Figure 5.62 to Figure 5.64 |
| | REF50CK frequency Typ. 50 MHz | — | — | 50 + 100 ppm | MHz | |
| | REF50CK duty | — | 35 | 65 | % | |
| | REF50CK rise/fall time | $T_{ckr/ckf}$ | 0.5 | 3.5 | ns | |
| | RMII_XXXX*1 output delay time | T_{co} | 2.5 | 15.0 | ns | |
| | RMII_XXXX*2 setup time | T_{su} | 3 | — | ns | |
| | RMII_XXXX*2 hold time | T_{hd} | 1 | — | ns | |
| | RMII_XXXX*1, *2 rise/fall time | T_r/T_f | 0.5 | 5 | ns | |
| | ET_WOL output delay time | t_{WOLd} | 1 | 23.5 | ns | |
| ETHERC (MII) | ET_TX_CLK cycle time | t_{Tcyc} | 40 | — | ns | — |
| | ET_TX_EN output delay time | t_{TENd} | 1 | 20 | ns | Figure 5.67 |
| | ET_ETXD0 to ET_ETXD3 output delay time | t_{MTDd} | 1 | 20 | ns | |
| | ET_CRs setup time | t_{CRSs} | 10 | — | ns | |
| | ET_CRs hold time | t_{CRSh} | 10 | — | ns | Figure 5.68 |
| | ET_COL setup time | t_{COLs} | 10 | — | ns | |
| | ET_COL hold time | t_{COLh} | 10 | — | ns | |
| | ET_RX_CLK cycle time | t_{TRcyc} | 40 | — | ns | — |
| | ET_RX_DV setup time | t_{RDVs} | 10 | — | ns | Figure 5.69 |
| | ET_RX_DV hold time | t_{RDVh} | 10 | — | ns | |
| | ET_ERXD0 to ET_ERXD3 setup time | t_{MRDs} | 10 | — | ns | |
| | ET_ERXD0 to ET_ERXD3 hold time | t_{MRDh} | 10 | — | ns | Figure 5.70 |
| | ET_RX_ER setup time | t_{RERs} | 10 | — | ns | |
| | ET_RX_ER hold time | t_{RESh} | 10 | — | ns | |
| | ET_WOL output delay time | t_{WOLd} | 1 | 23.5 | ns | Figure 5.71 |

Note 1. RMII_TXD_EN, RMII_TXD1, RMII_TXD0

Note 2. RMII_CRs_DV, RMII_RXD1, RMII_RXD0, RMII_RX_ER

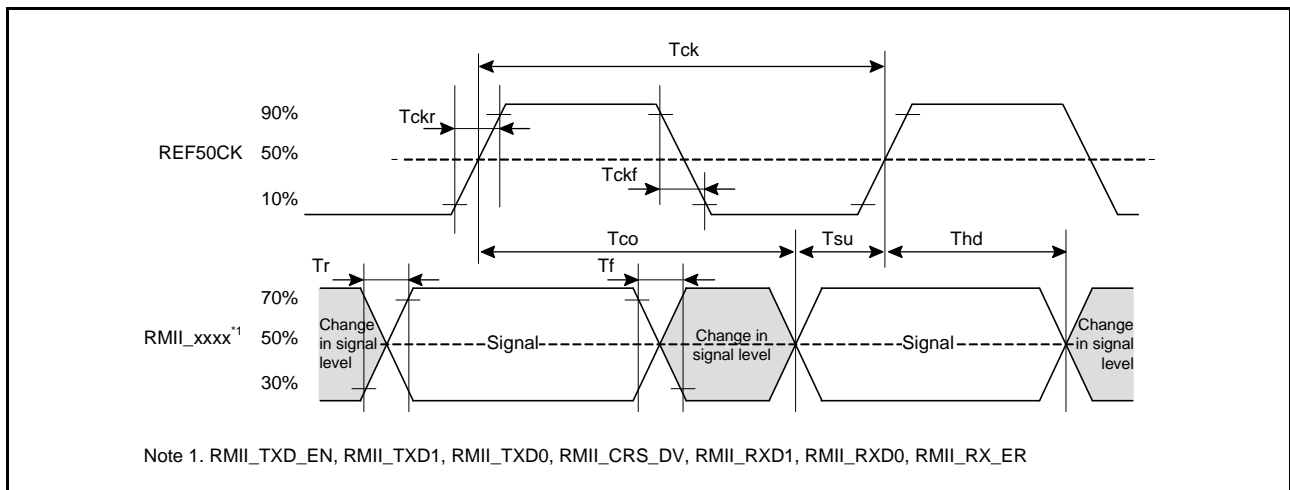


Figure 5.62 Timing with the REF50CK and RMII Signals

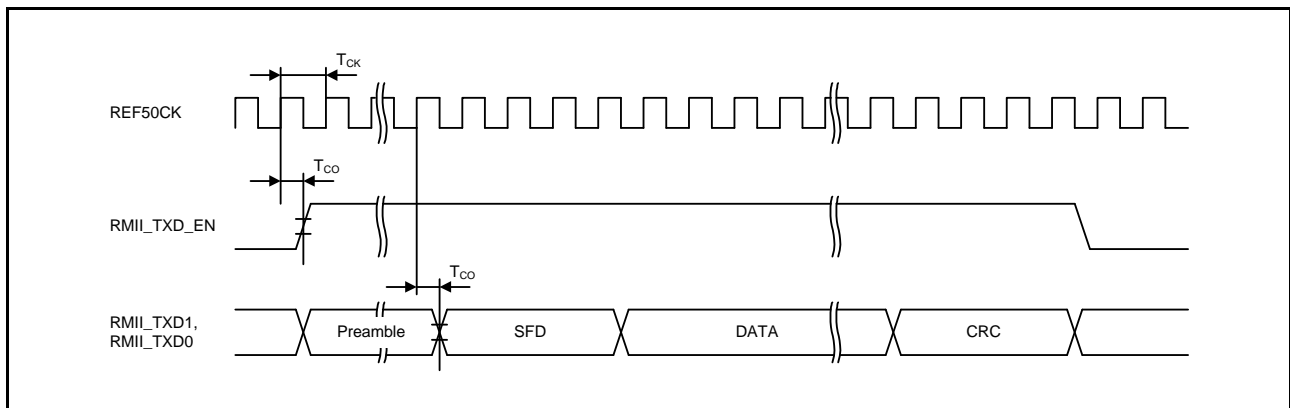


Figure 5.63 RMII Transmission Timing

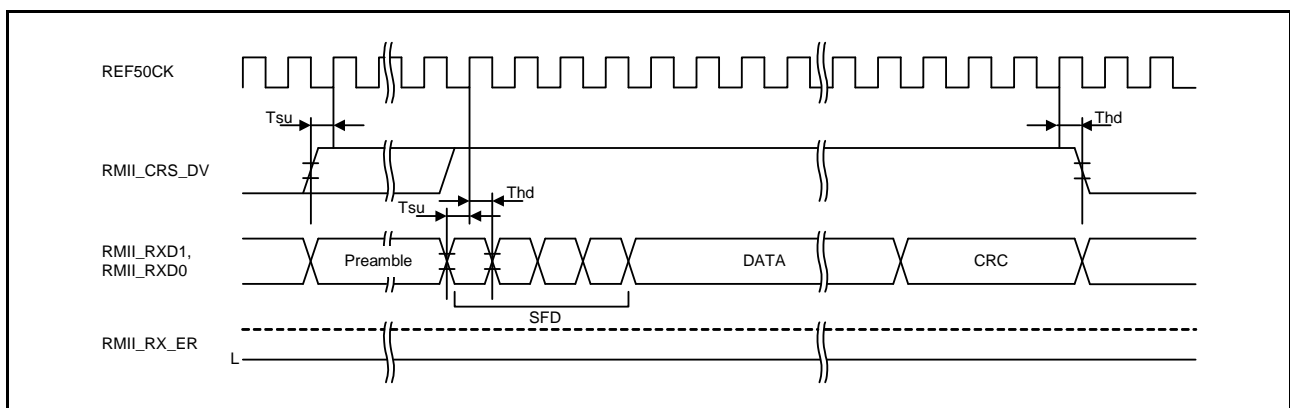


Figure 5.64 RMII Reception Timing (Normal Operation)

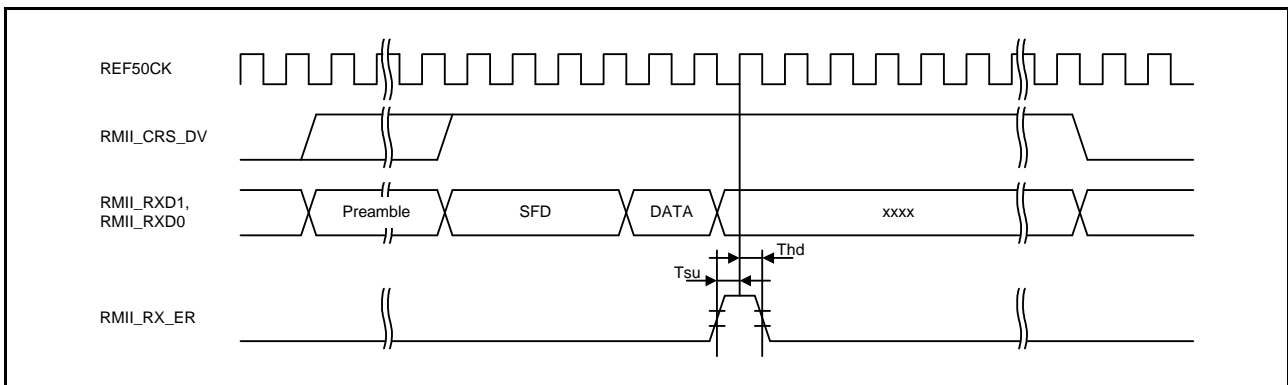


Figure 5.65 RMI Reception Timing (Error Occurrence)

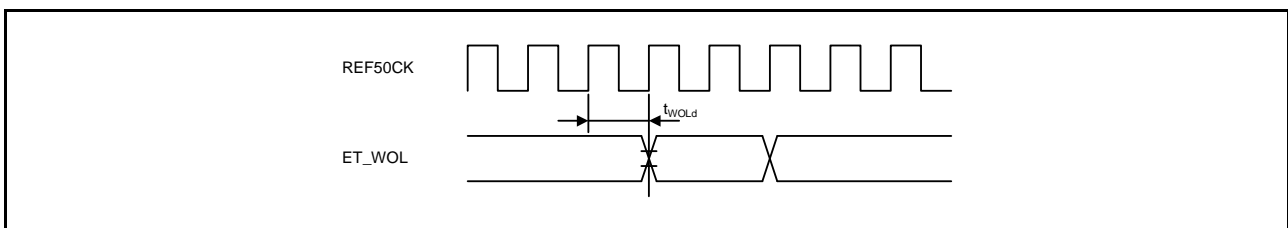


Figure 5.66 WOL Output Timing (RMII)

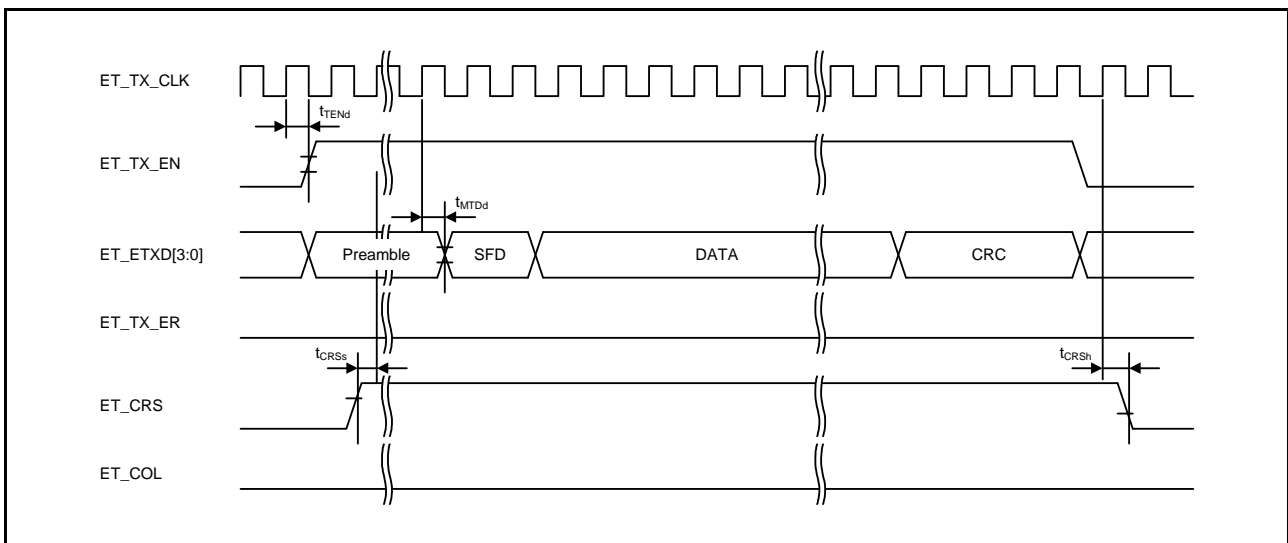


Figure 5.67 MII Transmission Timing (Normal Operation)

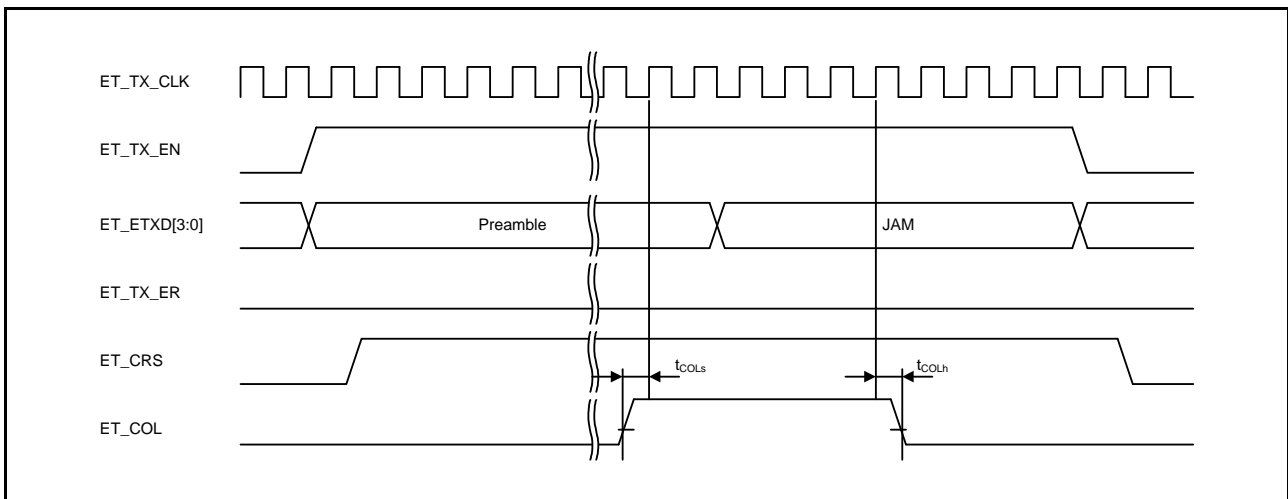


Figure 5.68 MII Transmission Timing (Conflict Occurrence)

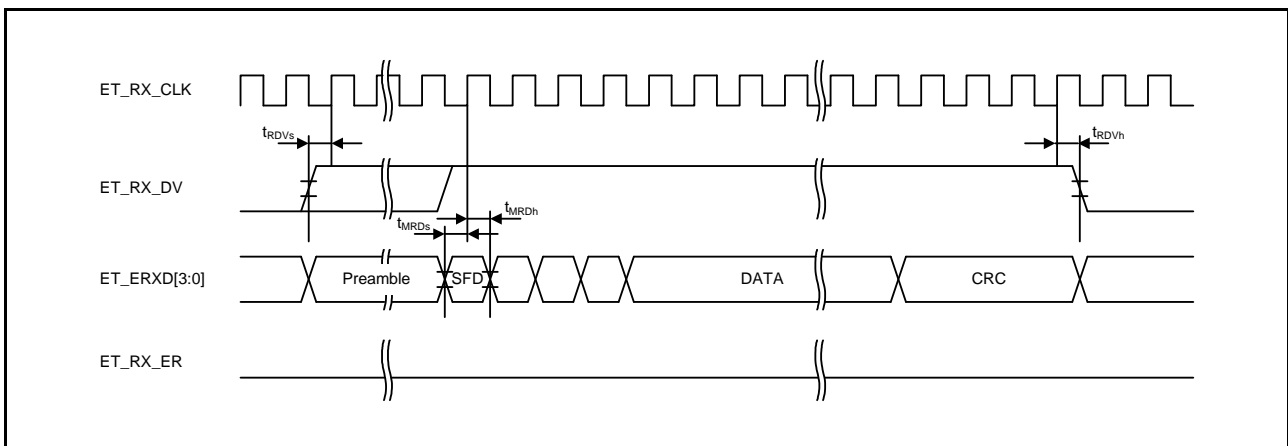


Figure 5.69 MII Reception Timing (Normal Operation)

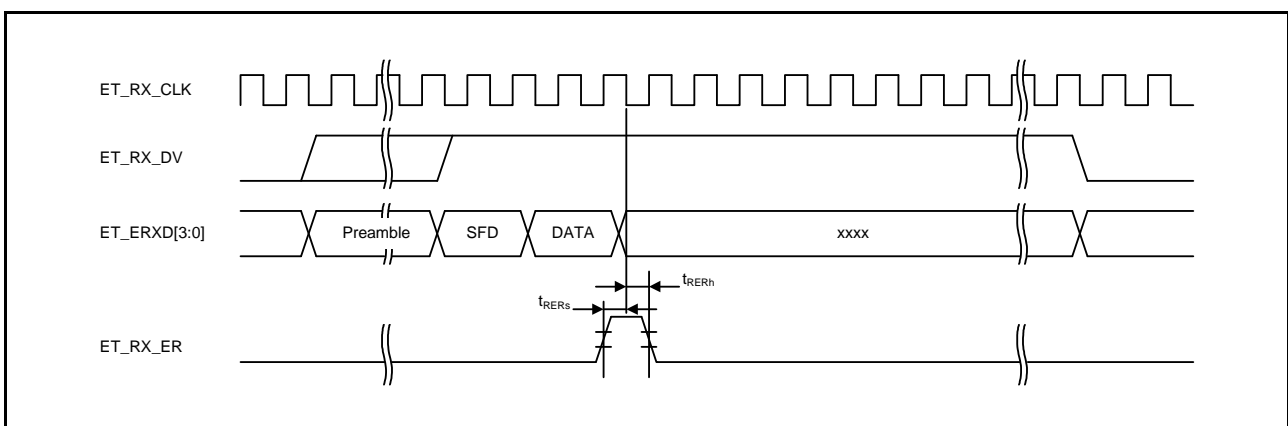


Figure 5.70 MII Reception Timing (Error Occurrence)

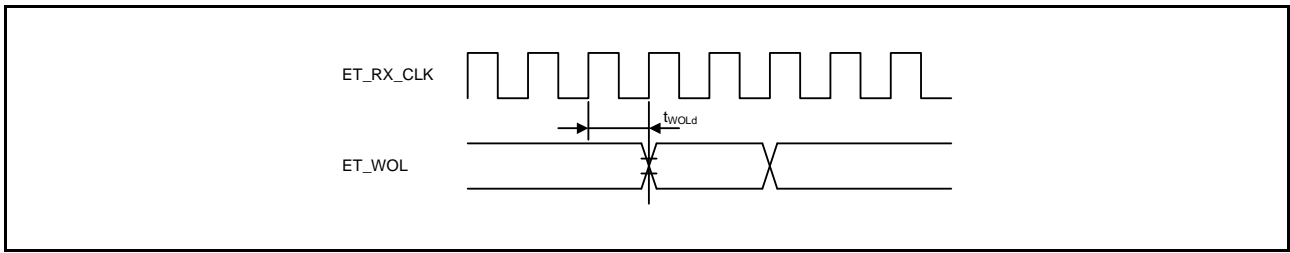


Figure 5.71 WOL Output Timing (MII)

Table 5.41 PDC Timing

Conditions: $V_{CC} = AVCC0 = AVCC1 = V_{CC_USB} = V_{BATT} = 2.7$ to 3.6 V, $2.7 \leq V_{REFH0} \leq AVCC0$,
 $V_{CC_USBA} = AVCC_USBA = 3.0$ to 3.6 V,
 $V_{SS} = AVSS0 = AVSS1 = V_{REFL0} = V_{SS_USB} = V_{SS1_USBA} = V_{SS2_USBA} = PV_{SS_USBA} = AV_{SS_USBA} = 0$ V,
 $PCLKA = 8$ to 120 MHz, $PCLKB = 8$ to 60 MHz, $T_a = T_{opr}$
 Output load conditions: $V_{OH} = V_{CC} \times 0.5$, $V_{OL} = V_{CC} \times 0.5$, $C = 30$ pF
 High-drive output is selected by the driving ability control register.

| Item | Symbol | Min.*1 | Max. | Unit | Test Conditions | |
|------|-------------------------------|--------------|--|------|-----------------|-------------|
| PDC | PIXCLK input cycle time | t_{PIXcyc} | 37 | — | ns | Figure 5.72 |
| | PIXCLK input high pulse width | t_{PIXH} | 10 | — | ns | |
| | PIXCLK input low pulse width | t_{PIXL} | 10 | — | ns | |
| | PIXCLK rising time | t_{PIXr} | — | 5 | ns | |
| | PIXCLK falling time | t_{PIXf} | — | 5 | ns | |
| PDC | PCKO output cycle time | t_{PCKcyc} | $2 \times t_{PBcyc}$ | — | ns | Figure 5.73 |
| | PCKO output high pulse width | t_{PCKH} | $(t_{PCKcyc} - t_{PCKr} - t_{PCKf})/2 - 3$ | — | ns | |
| | PCKO output low pulse width | t_{PCKL} | $(t_{PCKcyc} - t_{PCKr} - t_{PCKf})/2 - 3$ | — | ns | |
| | PCKO rising time | t_{PCKr} | — | 5 | ns | |
| | PCKO falling time | t_{PCKf} | — | 5 | ns | |
| PDC | VSYNV/HSYNC input setup time | t_{SYNCS} | 10 | — | ns | Figure 5.74 |
| | VSYNV/HSYNC input hold time | t_{SYNCH} | 5 | — | ns | |
| | PIXD input setup time | t_{PIXDS} | 10 | — | ns | |
| | PIXD input hold time | t_{PIXDH} | 5 | — | ns | |

Note 1. t_{PBcyc} : PCLKB cycle

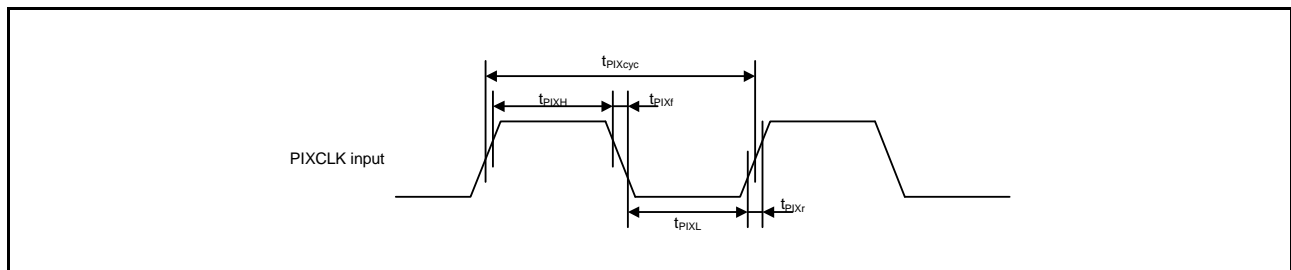


Figure 5.72 PDC Input Clock Timing

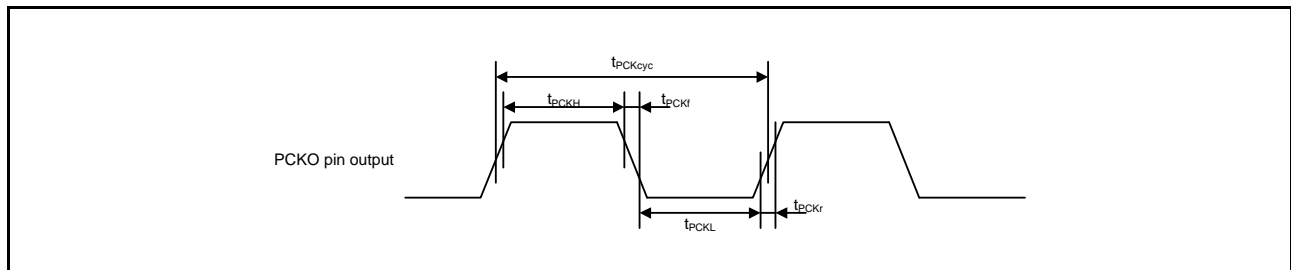


Figure 5.73 PDC Output Clock Timing

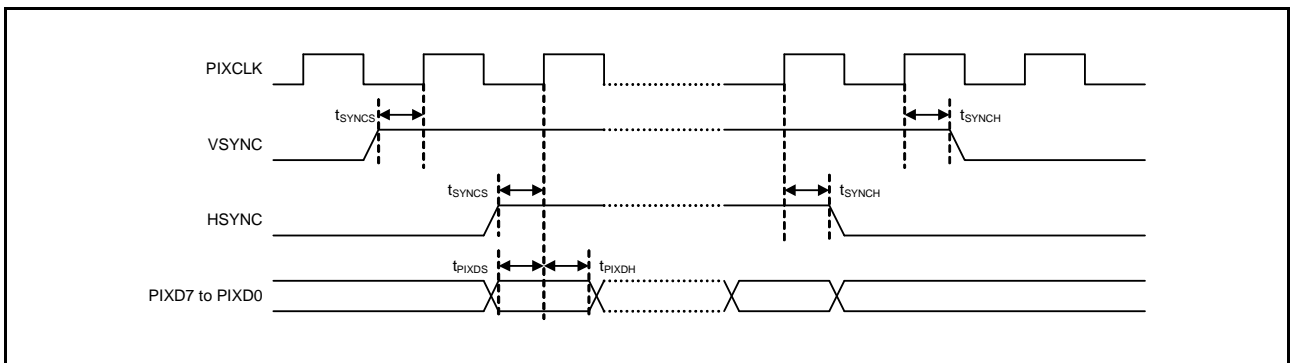


Figure 5.74 PDC AC Timing

5.4 USB Characteristics

Table 5.42 On-Chip USB Low Speed (Host Only) Characteristics (DP and DM Pin Characteristics)

Conditions: $V_{CC} = AV_{CC0} = AV_{CC1} = V_{CC_USB} = V_{BATT} = 3.0$ to 3.6 V, $3.0 \leq V_{REFH0} \leq AV_{CC0}$,
 $V_{CC_USBA} = AV_{CC_USBA} = 3.0$ to 3.6 V,
 $V_{SS} = AV_{SS0} = AV_{SS1} = V_{REFL0} = V_{SS_USB} = V_{SS1_USBA} = V_{SS2_USBA} = PV_{SS_USBA} = AV_{SS_USBA} = 0$ V,
 $USBA_RREF = 2.2$ k $\Omega \pm 1\%$, $USBMCLK = 20/24$ MHz, $UCLK = 48$ MHz,
 $PCLKA = 8$ to 120 MHz, $PCLKB = 8$ to 60 MHz, $T_a = T_{opr}$

| Item | | Symbol | Min. | Typ. | Max. | Unit | Test Conditions |
|---------------------------|--|-------------------|-------|------|-------|------------|-----------------------|
| Input characteristics | Input high level voltage | V_{IH} | 2.0 | — | — | V | |
| | Input low level voltage | V_{IL} | — | — | 0.8 | V | |
| | Differential input sensitivity | V_{DI} | 0.2 | — | — | V | DP – DM |
| | Differential common mode range | V_{CM} | 0.8 | — | 2.5 | V | |
| Output characteristics | Output high level voltage | V_{OH} | 2.8 | — | 3.6 | V | $I_{OH} = -200 \mu A$ |
| | Output low level voltage | V_{OL} | 0.0 | — | 0.3 | V | $I_{OL} = 2$ mA |
| | Cross-over voltage | V_{CRS} | 1.3 | — | 2.0 | V | Figure 5.75 |
| | Rise time | t_{LR} | 75 | — | 300 | ns | |
| | Fall time | t_{LF} | 75 | — | 300 | ns | |
| | Rise/fall time ratio | t_{LR} / t_{LF} | 80 | — | 125 | % | t_{LR} / t_{LF} |
| Pull-down characteristics | DP/DM pull-down resistance (when the host controller function is selected) | R_{pd} | 14.25 | — | 24.80 | k Ω | |

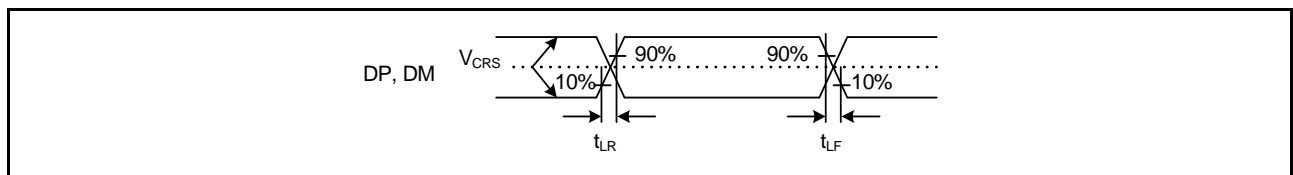


Figure 5.75 DP and DM Output Timing (Low Speed)

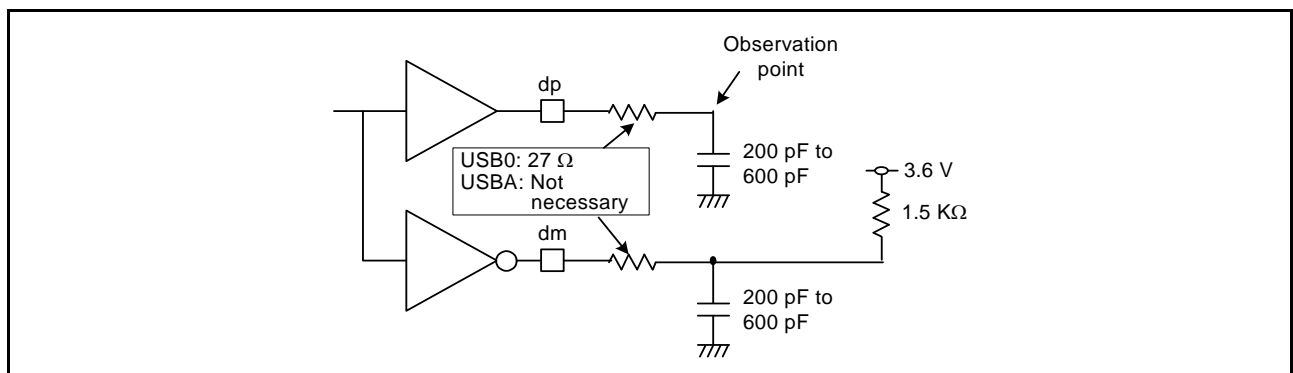


Figure 5.76 Test Circuit (Low Speed)

Table 5.43 On-Chip USB Full-Speed Characteristics (DP and DM Pin Characteristics)

Conditions: $V_{CC} = AVCC0 = AVCC1 = V_{CC_USB} = V_{BATT} = 3.0$ to 3.6 V, $3.0 \leq V_{REFH0} \leq AVCC0$,
 $V_{CC_USBA} = AVCC_USBA = 3.0$ to 3.6 V,
 $V_{SS} = AVSS0 = AVSS1 = V_{REFL0} = V_{SS_USB} = V_{SS1_USBA} = V_{SS2_USBA} = PVSS_USBA = AVSS_USBA = 0$ V,
 $USBA_RREF = 2.2$ k $\Omega \pm 1\%$, $USBMCLK = 20/24$ MHz, $UCLK = 48$ MHz,
 $PCLKA = 8$ to 120 MHz, $PCLKB = 8$ to 60 MHz, $T_a = T_{opr}$

| Item | Symbol | Min. | Typ. | Max. | Unit | Test Conditions | |
|---------------------------------------|--|-------------------|-------|------|--------|-----------------|-------------------------------------|
| Input characteristics | Input high level voltage | V_{IH} | 2.0 | — | — | V | |
| | Input low level voltage | V_{IL} | — | — | 0.8 | V | |
| | Differential input sensitivity | V_{DI} | 0.2 | — | — | V | DP – DM |
| | Differential common mode range | V_{CM} | 0.8 | — | 2.5 | V | |
| Output characteristics | Output high level voltage | V_{OH} | 2.8 | — | 3.6 | V | $I_{OH} = -200$ μ A |
| | Output low level voltage | V_{OL} | 0.0 | — | 0.3 | V | $I_{OL} = 2$ mA |
| | Cross-over voltage | V_{CRS} | 1.3 | — | 2.0 | V | Figure 5.77 |
| | Rise time | t_{FR} | 4 | — | 20 | ns | |
| | Fall time | t_{FF} | 4 | — | 20 | ns | |
| | Rise/fall time ratio | t_{FR} / t_{FF} | 90 | — | 111.11 | % | t_{FR} / t_{FF} |
| | Output resistance | Z_{DRV} | 28 | — | 44 | Ω | USBFS: $R_s = 27$ Ω included |
| Pull-up and pull-down characteristics | DP pull-up resistance (when the function controller function is selected) | R_{pu} | 0.900 | — | 1.575 | k Ω | Idle state |
| | | R_{pu} | 1.425 | — | 3.090 | k Ω | At transmission and reception |
| | DP/DM pull-down resistance (when the host controller function is selected) | R_{pd} | 14.25 | — | 24.80 | k Ω | |

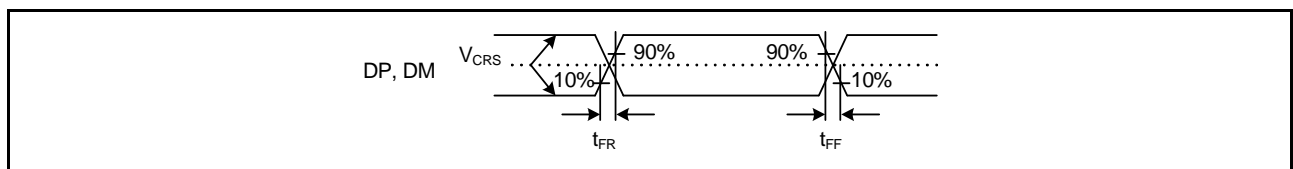


Figure 5.77 DP and DM Output Timing (Full-Speed)

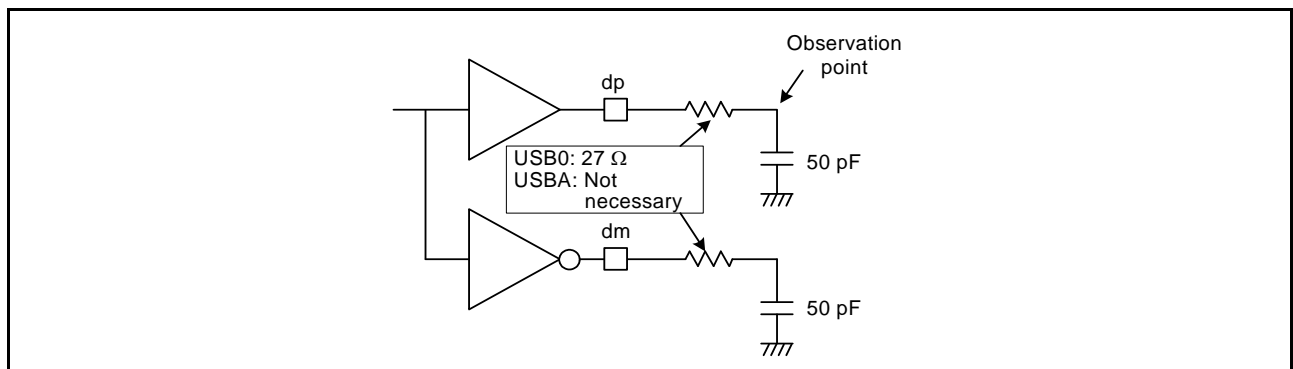


Figure 5.78 Test Circuit (Full-Speed)

Table 5.44 Battery Charge Characteristics (USBA only)

Conditions: $VCC = AVCC0 = AVCC1 = VCC_USB = V_{BATT} = 2.7$ to 3.6 V, $2.7 \leq VREFH0 \leq AVCC0$,
 $VCC_USBA = AVCC_USBA = 3.0$ to 3.6 V,
 $VSS = AVSS0 = AVSS1 = VREFL0 = VSS_USB = VSS1_USBA = VSS2_USBA = PVSS_USBA =$
 $AVSS_USBA = 0$ V, $USBA_RREF = 2.2$ k $\Omega \pm 1\%$, $USBMCLK = 20/24$ MHz, $PCLKA = 8$ to 120 MHz,
 $PCLKB = 8$ to 60 MHz, $T_a = T_{opr}$

| Item | Symbol | Min. | Max. | Unit | Test Conditions |
|------------------------|----------------|------|------|---------|------------------------------|
| D+ sink current | I_{DP_SINK} | 25 | 175 | μ A | |
| D- sink current | I_{DM_SINK} | 25 | 175 | μ A | |
| DCD source current | I_{DP_SRC} | 7 | 13 | μ A | |
| Data detection voltage | V_{DAT_REF} | 0.25 | 0.4 | V | |
| D+ source voltage | V_{DP_SRC} | 0.5 | 0.7 | V | Output current = 250 μ A |
| D- source voltage | V_{DM_SRC} | 0.5 | 0.7 | V | Output current = 250 μ A |

5.5 A/D Conversion Characteristics

Table 5.45 12-Bit A/D (Unit 0) Conversion Characteristics

Conditions: $V_{CC} = AV_{CC0} = AV_{CC1} = V_{CC_USB} = V_{BATT} = 2.7$ to 3.6 V, $2.7 \leq V_{REFH0} \leq AV_{CC0}$,
 $V_{CC_USBA} = AV_{CC_USBA} = 3.0$ to 3.6 V,
 $V_{SS} = AV_{SS0} = AV_{SS1} = V_{REFL0} = V_{SS_USB} = V_{SS1_USBA} = V_{SS2_USBA} = PV_{SS_USBA} = AV_{SS_USBA} = 0$ V,
 $P_{CLKB} = P_{CLKC} = 1$ MHz to 60 MHz, $T_a = T_{opr}$

| Item | Min. | Typ. | Max. | Unit | Test Conditions | |
|--|--|-----------------------------|-----------|----------------------|-----------------|--|
| Resolution | 8 | — | 12 | Bit | | |
| Analog input capacitance | — | — | 30 | pF | | |
| Channel-dedicated sample-and-hold circuits in use (AN000 to AN002) | Conversion time*1 (Operation at PCLK = 60 MHz) Permissible signal source impedance (max.) = 1.0 k Ω | 1.06 (0.40 + 0.25) *2 | — | — | μ s | <ul style="list-style-type: none"> Sampling of channel-dedicated sample-and-hold circuits in 24 states Sampling in 15 states |
| | Offset error | — | ± 1.5 | ± 3.5 | LSB | AN000 to AN002 = 0.25 V |
| | Full-scale error | — | ± 1.5 | ± 3.5 | LSB | AN000 to AN002 = VREFH0 - 0.25 V |
| | Quantization error | — | ± 0.5 | — | LSB | |
| | Absolute accuracy | — | ± 2.5 | ± 5.5 | LSB | |
| | DNL differential nonlinearity error | — | ± 1.0 | ± 2.0 | LSB | |
| | INL integral nonlinearity error | — | ± 1.5 | ± 3.0 | LSB | |
| | Holding characteristics of sample-and-hold circuits | — | — | 20 | μ s | |
| | Dynamic range | 0.25 | — | VREFH 0 – 0.25 | V | |
| Channel-dedicated sample-and-hold circuits not in use (AN000 to AN007) | Conversion time*1 (Operation at PCLK = 60 MHz) Permissible signal source impedance (max.) = 1.0 k Ω | 0.48 (0.267) *2 | — | — | μ s | Sampling in 16 states |
| | Offset error | — | ± 1.0 | ± 2.5 | LSB | |
| | Full-scale error | — | ± 1.0 | ± 2.5 | LSB | |
| | Quantization error | — | ± 0.5 | — | LSB | |
| | Absolute accuracy | — | ± 2.0 | ± 4.5 | LSB | |
| | DNL differential nonlinearity error | — | ± 0.5 | ± 1.5 | LSB | |
| | INL integral nonlinearity error | — | ± 1.0 | ± 2.5 | LSB | |

Note: The above specification values apply when there is no access to the external bus during A/D conversion. If access proceeds during A/D conversion, values may not fall within the above ranges.

Note 1. The conversion time includes the sampling time and the comparison time. As the test conditions, the number of sampling states is indicated.

Note 2. The value in parentheses indicates the sampling time.

Table 5.46 12-Bit A/D (Unit 1) Conversion Characteristics

Conditions: $V_{CC} = AVCC0 = AVCC1 = V_{CC_USB} = V_{BATT} = 2.7$ to 3.6 V, $2.7 \leq V_{REFH0} \leq AVCC0$,
 $V_{CC_USBA} = AVCC_USBA = 3.0$ to 3.6 V,
 $V_{SS} = AVSS0 = AVSS1 = V_{REFL0} = V_{SS_USB} = V_{SS1_USBA} = V_{SS2_USBA} = PV_{SS_USBA} = AV_{SS_USBA} = 0$ V,
 $PCLKB = PCLKD = 1$ MHz to 60 MHz, $T_a = T_{opr}$

| Item | | Min. | Typ. | Max. | Unit | Test Conditions |
|--|--|-----------------------|-----------|-----------|---------|-----------------------|
| Resolution | | 8 | — | 12 | Bit | |
| Conversion time*1 (Operation at PCLK = 60 MHz) | Permissible signal source impedance (max.) = 1.0 k Ω | 0.88 (0.667) *2 | — | — | μ s | Sampling in 40 states |
| Analog input capacitance | | — | — | 30 | pF | |
| Offset error | | — | ± 2.0 | ± 3.5 | LSB | |
| Full-scale error | | — | ± 2.0 | ± 3.5 | LSB | |
| Quantization error | | — | ± 0.5 | — | LSB | |
| Absolute accuracy | | — | ± 4.0 | ± 6.0 | LSB | |
| DNL differential nonlinearity error | | — | ± 1.5 | ± 2.5 | LSB | |
| INL integral nonlinearity error | | — | ± 2.0 | ± 3.5 | LSB | |

Note: The above specification values apply when there is no access to the external bus during A/D conversion. If access proceeds during A/D conversion, values may not fall within the above ranges.

Note 1. The conversion time includes the sampling time and the comparison time. As the test conditions, the number of sampling states is indicated.

Note 2. The value in parentheses indicates the sampling time.

Table 5.47 A/D Internal Reference Voltage Characteristics

Conditions: $V_{CC} = AVCC0 = AVCC1 = V_{CC_USB} = V_{BATT} = 2.7$ to 3.6 V, $2.7 \leq V_{REFH0} \leq AVCC0$,
 $V_{CC_USBA} = AVCC_USBA = 3.0$ to 3.6 V,
 $V_{SS} = AVSS0 = AVSS1 = V_{REFL0} = V_{SS_USB} = V_{SS1_USBA} = V_{SS2_USBA} = PV_{SS_USBA} = AV_{SS_USBA} = 0$ V,
 $PCLKB = PCLKD = 60$ MHz, $T_a = T_{opr}$

| Item | Min. | Typ. | Max. | Unit | Test Conditions |
|--------------------------------|------|------|------|------|-----------------|
| A/D internal reference voltage | 1.20 | 1.25 | 1.30 | V | |

5.6 D/A Conversion Characteristics

Table 5.48 D/A Conversion Characteristics

Conditions: $V_{CC} = AVCC0 = AVCC1 = V_{CC_USB} = V_{BATT} = 2.7$ to 3.6 V,
 $2.7 \leq V_{REFH0} \leq AVCC0$, $V_{CC_USBA} = AVCC_USBA = 3.0$ to 3.6 V,
 $V_{SS} = AVSS0 = AVSS1 = V_{REFL0} = V_{SS_USB} = V_{SS1_USBA} = V_{SS2_USBA} = PV_{SS_USBA} = AV_{SS_USBA} = 0$ V,
 $T_a = T_{opr}$

| Item | | Min. | Typ. | Max. | Unit | Test Conditions |
|--------------------|-------------------------------------|------|-----------|---------------|------------|--|
| Resolution | | 12 | 12 | 12 | Bit | |
| Without AMP output | Absolute accuracy | — | — | ± 6.0 | LSB | 2-M Ω resistive load 10-bit conversion |
| | DNL differential nonlinearity error | — | ± 1.0 | ± 2.0 | LSB | 2-M Ω resistive load |
| | RO output resistance | — | 7.5 | — | k Ω | |
| | Conversion time | — | — | 3.0 | μ s | 20-pF capacitive load |
| With AMP output | Resistive load | 5 | — | — | k Ω | |
| | Capacitive load | — | — | 50 | pF | |
| | Output voltage range | 0.2 | — | $AVCC1 - 0.2$ | V | |
| | DNL differential nonlinearity error | — | ± 1.0 | ± 2.0 | LSB | |
| | INL integral nonlinearity error | — | ± 2.0 | ± 4.0 | LSB | |
| | Conversion time | — | — | 4.0 | μ s | |

5.7 Temperature Sensor Characteristics

Table 5.49 Temperature Sensor Characteristics

Conditions: $V_{CC} = AVCC0 = AVCC1 = V_{CC_USB} = V_{BATT} = 2.7$ to 3.6 V, $2.7 \leq V_{REFH0} \leq AVCC0$,
 $V_{CC_USBA} = AVCC_USBA = 3.0$ to 3.6 V,
 $V_{SS} = AVSS0 = AVSS1 = V_{REFL0} = V_{SS_USB} = V_{SS1_USBA} = V_{SS2_USBA} = PV_{SS_USBA} = AV_{SS_USBA} = 0$ V,
 $T_a = T_{opr}$

| Item | Min. | Typ. | Max. | Unit | Test Conditions |
|-------------------------------------|------|---------|------|------------------|-----------------|
| Relative accuracy | — | ± 1 | — | $^{\circ}$ C | |
| Temperature slope | — | 3.8 | — | mV/ $^{\circ}$ C | |
| Output voltage (at 25 $^{\circ}$ C) | — | 1.21 | — | V | |
| Temperature sensor start time | — | — | 30 | μ s | |
| Sampling time*1 | 4.15 | — | — | μ s | |

Note 1. Set the S12AD1.ADSSTRT register such that the sampling time of the 12-bit A/D converter satisfies this specification.

5.8 Power-on Reset Circuit and Voltage Detection Circuit Characteristics

Table 5.50 Power-on Reset Circuit and Voltage Detection Circuit Characteristics

Conditions: $V_{CC} = AV_{CC0} = AV_{CC1} = V_{CC_USB} = V_{BATT} = 2.7$ to 3.6 V, $2.7 \leq V_{REFH0} \leq AV_{CC0}$,
 $V_{CC_USBA} = AV_{CC_USBA} = 3.0$ to 3.6 V,
 $V_{SS} = AV_{SS0} = AV_{SS1} = V_{REFL0} = V_{SS_USB} = V_{SS1_USBA} = V_{SS2_USBA} = PV_{SS_USBA} = AV_{SS_USBA} = 0$ V,
 $T_a = T_{opr}$

| Item | | Symbol | Min. | Typ. | Max. | Unit | Test Conditions | |
|---|----------------------------------|---|---------------|------|------|-------------|----------------------------|-------------|
| Voltage detection level | Power-on reset (POR) | Low power consumption function disabled*1 | V_{POR} | 2.5 | 2.6 | 2.7 | V | Figure 5.79 |
| | | Low power consumption function enabled*2 | | 2.0 | 2.35 | 2.7 | | |
| | Voltage detection circuit (LVD0) | | V_{det0_1} | 2.84 | 2.94 | 3.04 | | Figure 5.80 |
| | | | V_{det0_2} | 2.77 | 2.87 | 2.97 | | |
| | | | V_{det0_3} | 2.70 | 2.80 | 2.90 | | |
| | Voltage detection circuit (LVD1) | | V_{det1_1} | 2.89 | 2.99 | 3.09 | | Figure 5.81 |
| | | | V_{det1_2} | 2.82 | 2.92 | 3.02 | | |
| | | | V_{det1_3} | 2.75 | 2.85 | 2.95 | | |
| | Voltage detection circuit (LVD2) | | V_{det2_1} | 2.89 | 2.99 | 3.09 | | Figure 5.82 |
| | | | V_{det2_2} | 2.82 | 2.92 | 3.02 | | |
| | | | V_{det2_3} | 2.75 | 2.85 | 2.95 | | |
| | Internal reset time | Power-on reset time | t_{POR} | — | 4.6 | — | ms | Figure 5.79 |
| LVD0 reset time | | t_{LVD0} | — | 0.70 | — | Figure 5.80 | | |
| LVD1 reset time | | t_{LVD1} | — | 0.57 | — | Figure 5.81 | | |
| LVD2 reset time | | t_{LVD2} | — | 0.57 | — | Figure 5.82 | | |
| Minimum VCC down time | | t_{VOFF} | 200 | — | — | μ s | Figure 5.79, Figure 5.80 | |
| Response delay time | | t_{det} | — | — | 200 | μ s | Figure 5.79 to Figure 5.82 | |
| LVD operation stabilization time (after LVD is enabled)*3 | | $T_{d(E-A)}$ | — | — | 10 | μ s | Figure 5.81, Figure 5.82 | |
| Hysteresis width (LVD1 and LVD2) | | V_{LVH} | — | 80 | — | mV | | |

Note: The minimum VCC down time indicates the time when VCC is below the minimum value of voltage detection levels V_{POR} , V_{det1} , and V_{det2} for the POR/ LVD.

Note 1. The low power consumption function is disabled and DEEPCUT[1:0] = 00b or 01b.

Note 2. The low power consumption function is enabled and DEEPCUT[1:0] = 11b.

Note 3. The voltage of $V_{CC} = AV_{CC0} = AV_{CC1}$ when LVD1 is enabled must be set to at least 80 mV above the maximum value of the voltage detection 1 level ($V_{det1_1, 2, 3}$) selected by the LVDLVLR.LVD1LVL[3:0] bits.

Similarly, the voltage of $V_{CC} = AV_{CC0} = AV_{CC1}$ when LVD2 is enabled must be set to at least 80 mV above the maximum value of the voltage detection 2 level ($V_{det2_1, 2, 3}$) selected by the LVDLVLR.LVD2LVL[3:0] bits.

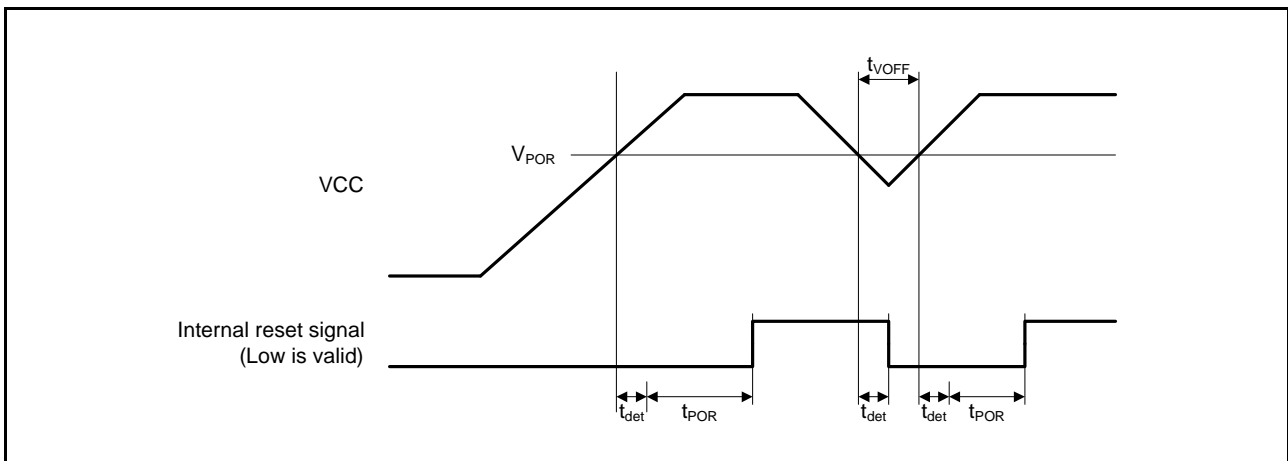


Figure 5.79 Power-on Reset Timing

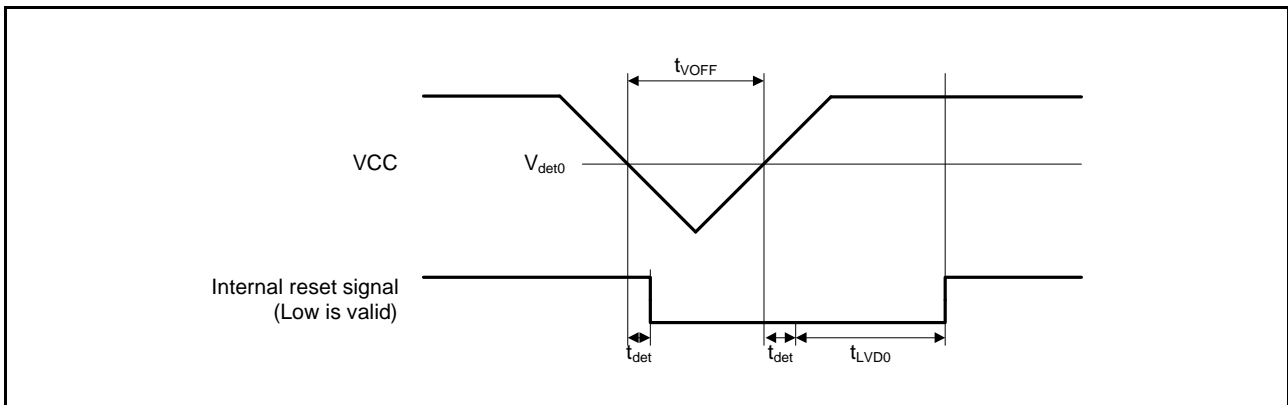


Figure 5.80 Voltage Detection Circuit Timing (V_{det0})

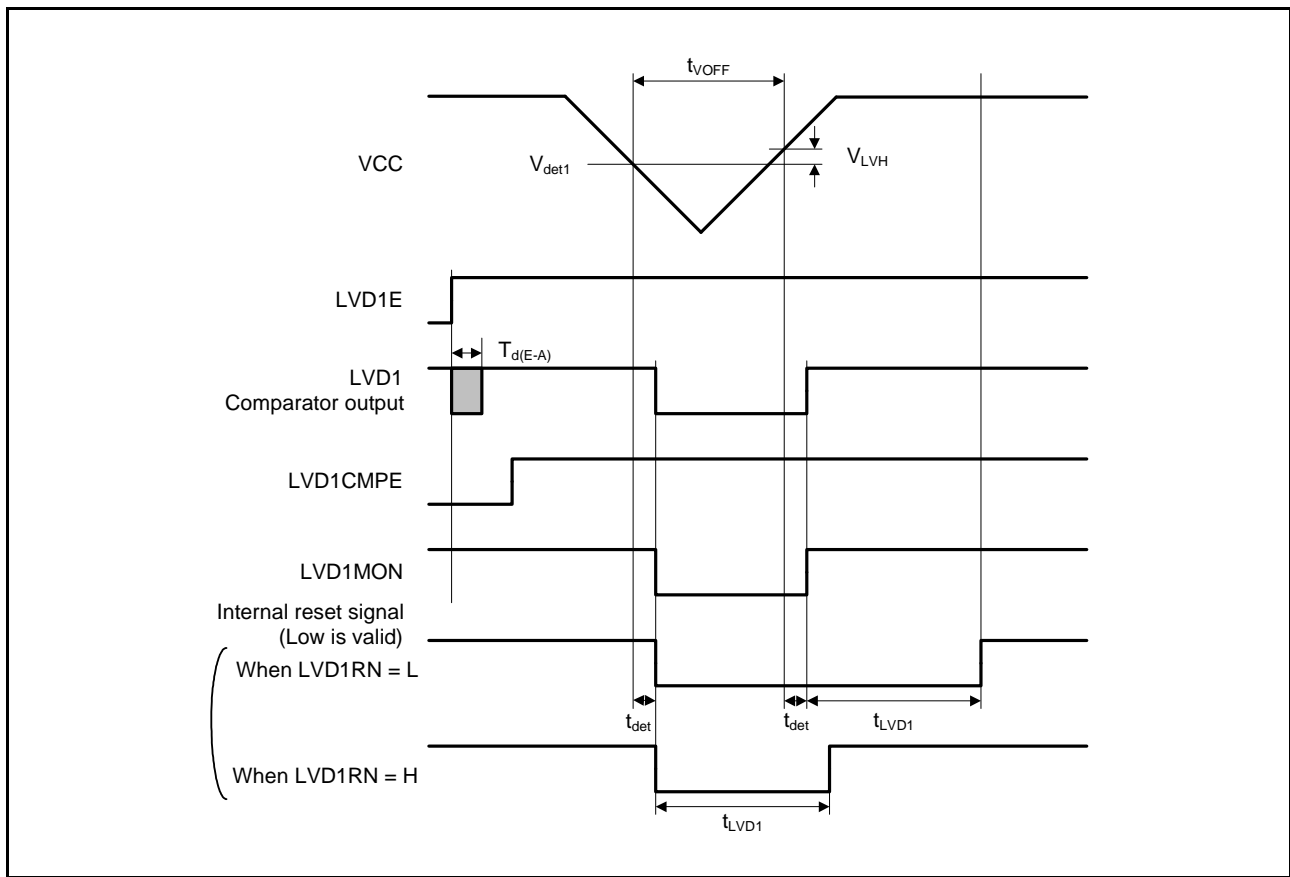


Figure 5.81 Voltage Detection Circuit Timing (V_{det1})

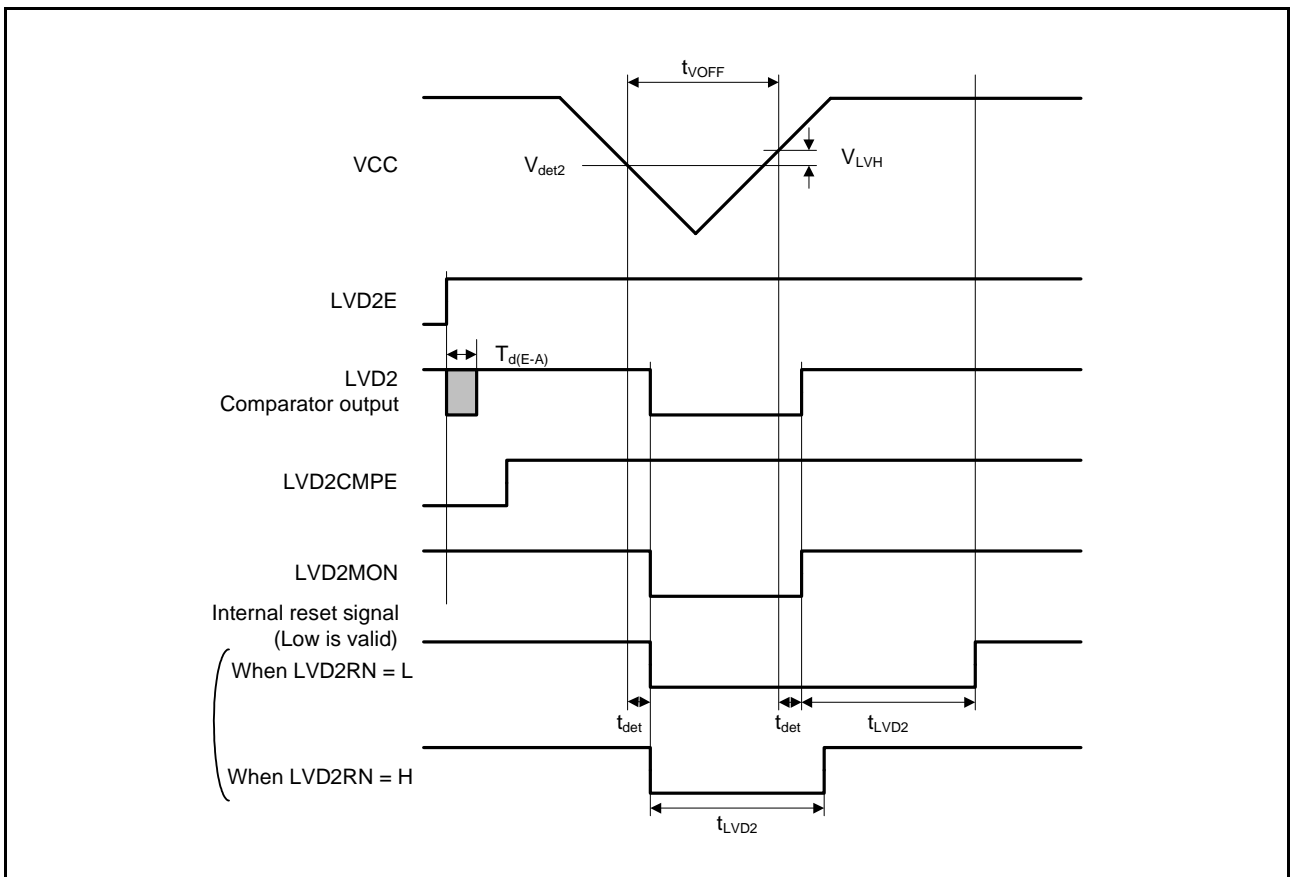


Figure 5.82 Voltage Detection Circuit Timing (V_{det2})

5.9 Oscillation Stop Detection Timing

Table 5.51 Oscillation Stop Detection Circuit Characteristics

Conditions: $VCC = AVCC0 = AVCC1 = VCC_USB = V_{BATT} = 2.7$ to 3.6 V, $2.7 \leq VREFH0 \leq AVCC0$,
 $VCC_USBA = AVCC_USBA = 3.0$ to 3.6 V,
 $VSS = AVSS0 = AVSS1 = VREFL0 = VSS_USB = VSS1_USBA = VSS2_USBA = PVSS_USBA = AVSS_USBA = 0$ V,
 $T_a = T_{opr}$

| Item | Symbol | Min. | Typ. | Max. | Unit | Test Conditions |
|----------------|----------|------|------|------|------|-----------------|
| Detection time | t_{dr} | — | — | 1 | ms | Figure 5.83 |

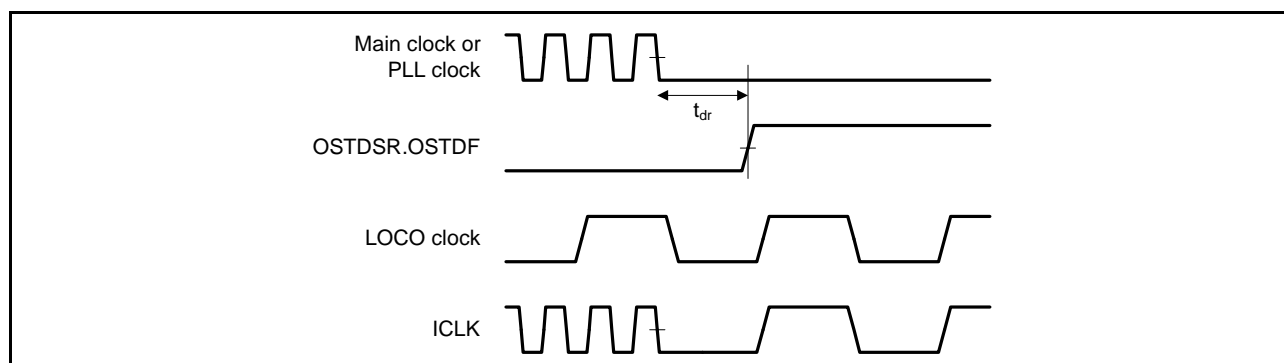


Figure 5.83 Oscillation Stop Detection Timing

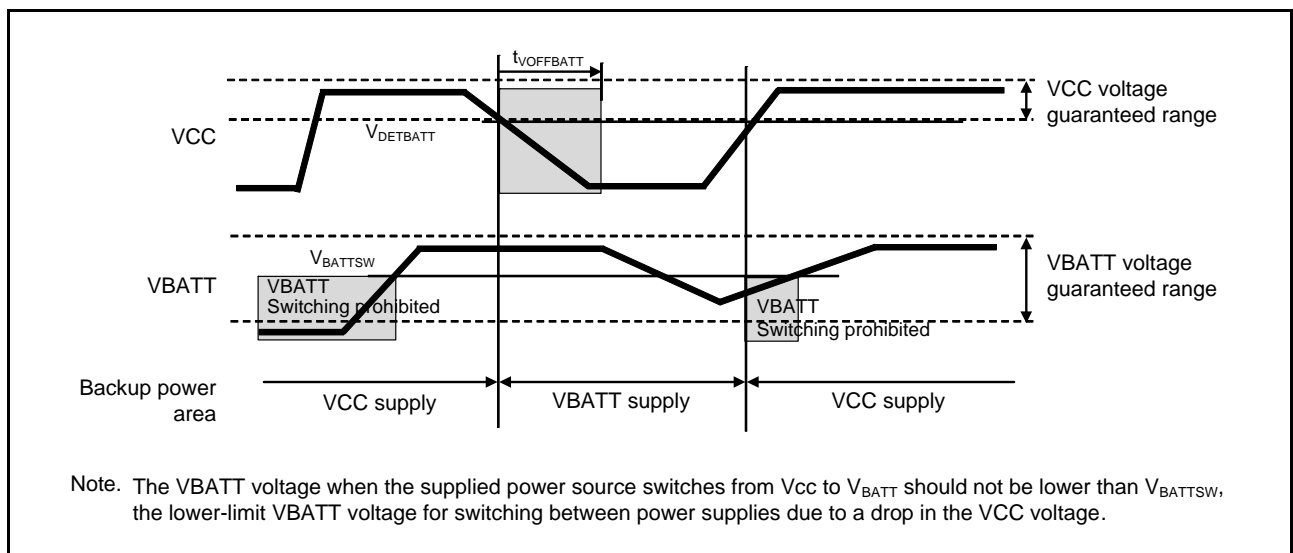
5.10 Battery Backup Function Characteristics

Table 5.52 Battery Backup Function Characteristics

Conditions: $V_{CC} = AV_{CC0} = AV_{CC1} = V_{CC_USB} = 2.7$ to 3.6 V, $2.7 \leq V_{REFH0} \leq AV_{CC0}$,
 $V_{CC_USBA} = AV_{CC_USBA} = 3.0$ to 3.6 V,
 $V_{SS} = AV_{SS0} = AV_{SS1} = V_{REFL0} = V_{SS_USB} = V_{SS1_USBA} = V_{SS2_USBA} = PV_{SS_USBA} = AV_{SS_USBA} = 0$ V,
 $V_{BATT} = 2.0$ to 3.6 V, $T_a = T_{opr}$

| Item | Symbol | Min. | Typ. | Max. | Unit | Test Conditions |
|---|----------------|------|------|------|---------|-----------------|
| Voltage level for switching to battery backup | $V_{DETBATT}$ | 2.50 | 2.60 | 2.70 | V | Figure 5.84 |
| Lower-limit V_{BATT} voltage for power supply switching due to VCC voltage drop | V_{BATTSW} | 2.70 | — | — | | |
| VCC-off period for starting power supply switching | $t_{VOFFBATT}$ | 200 | — | — | μs | |

Note: The VCC-off period for starting power supply switching indicates the period in which VCC is below the minimum value of the voltage level for switching to battery backup ($V_{DETBATT}$).



Note: The VBATT voltage when the supplied power source switches from Vcc to V_{BATT} should not be lower than V_{BATTSW} , the lower-limit VBATT voltage for switching between power supplies due to a drop in the VCC voltage.

Figure 5.84 Battery Backup Function Characteristics

5.11 Flash Memory Characteristics

Table 5.53 Code Flash Memory Characteristics

Conditions: $V_{CC} = AV_{CC0} = AV_{CC1} = V_{CC_USB} = V_{BATT} = 2.7$ to 3.6 V, $2.7 \leq V_{REFH0} \leq AV_{CC0}$,
 $V_{CC_USBA} = AV_{CC_USBA} = 3.0$ to 3.6 V,
 $V_{SS} = AV_{SS0} = AV_{SS1} = V_{REFL0} = V_{SS_USB} = V_{SS1_USBA} = V_{SS2_USBA} = PV_{SS_USBA} = AV_{SS_USBA} = 0$ V
 Temperature range for programming/erasure: $T_a = T_{opr}$

| Item | Symbol | FCLK = 4 MHz | | | 20 MHz ≤ FCLK ≤ 60 MHz | | | Unit | |
|--|-------------|--------------|------|------|------------------------|------|------|------|-------|
| | | Min. | Typ. | Max. | Min. | Typ. | Max. | | |
| Programming time $N_{PEC} \leq 100$ times | 256 bytes | t_{P256} | — | 0.9 | 13.2 | — | 0.4 | 6 | ms |
| | 8 Kbytes | t_{P8K} | — | 29 | 176 | — | 13 | 80 | ms |
| | 32 Kbytes | t_{P32K} | — | 116 | 704 | — | 52 | 320 | ms |
| Programming time $N_{PEC} > 100$ times | 256 bytes | t_{P256} | — | 1.1 | 15.8 | — | 0.5 | 7.2 | ms |
| | 8 Kbytes | t_{P8K} | — | 35 | 212 | — | 16 | 96 | ms |
| | 32 Kbytes | t_{P32K} | — | 140 | 848 | — | 64 | 384 | ms |
| Erasure time $N_{PEC} \leq 100$ times | 8 Kbytes | t_{E8K} | — | 71 | 216 | — | 39 | 120 | ms |
| | 32 Kbytes | t_{E32K} | — | 254 | 864 | — | 141 | 480 | ms |
| Erasure time $N_{PEC} > 100$ times | 8 Kbytes | t_{E8K} | — | 85 | 260 | — | 47 | 144 | ms |
| | 32 Kbytes | t_{E32K} | — | 304 | 1040 | — | 169 | 576 | ms |
| Reprogramming/erasure cycle*1 | N_{PEC} | 1000*2 | — | — | 1000*2 | — | — | — | Times |
| Suspend delay time during programming | t_{SPD} | — | — | 264 | — | — | — | 120 | μs |
| First suspend delay time during erasing (in suspend priority mode) | t_{SESD1} | — | — | 216 | — | — | — | 120 | μs |
| Second suspend delay time during erasure (in suspend priority mode) | t_{SESD2} | — | — | 1.7 | — | — | — | 1.7 | ms |
| Suspend delay time during erasure (in erasure priority mode) | t_{SEED} | — | — | 1.7 | — | — | — | 1.7 | ms |
| Forced stop command | t_{FD} | — | — | 32 | — | — | — | 20 | μs |
| Data hold time*3 | t_{DRP} | 10 | — | — | 10 | — | — | — | Year |
| FCU reset time | t_{FCUR} | 35 | — | — | 35 | — | — | — | μs |

Note 1. Definition of reprogram/erase cycle:

The reprogram/erase cycle is the number of erasing for each block. When the reprogram/erase cycle is n times ($n = 1000$), erasing can be performed n times for each block. For instance, when 256-byte programming is performed 32 times for different addresses in 8-Kbyte block and then the entire block is erased, the reprogram/erase cycle is counted as one. However, programming the same address for several times as one erasing is not enabled (overwriting is prohibited).

Note 2. This is the minimum number of times to guarantee all the characteristics after reprogramming (guaranteed range is from 1 to the value of the minimum value).

Note 3. This shows the characteristics when reprogramming is performed within the specified range, including the minimum value.

Table 5.54 Data Flash Memory Characteristics

Conditions: $V_{CC} = AVCC0 = AVCC1 = V_{CC_USB} = V_{BATT} = 2.7$ to 3.6 V, $2.7 \leq V_{REFH0} \leq AVCC0$,
 $V_{CC_USBA} = AVCC_USBA = 3.0$ to 3.6 V
 $V_{SS} = AVSS0 = AVSS1 = V_{REFL0} = V_{SS_USB} = V_{SS1_USBA} = V_{SS2_USBA} = PV_{SS_USBA} = AV_{SS_USBA} = 0$ V,
 Temperature range for programming/erasure: $T_a = T_{opr}$

| Item | | Symbol | FCLK = 4 MHz | | | 20 MHz ≤ FCLK ≤ 60 MHz | | | Unit |
|--|----------|--------------|--------------|------|------|------------------------|------|------|------|
| | | | Min. | Typ. | Max. | Min. | Typ. | Max. | |
| Programming time | 4 bytes | t_{DP4} | — | 0.36 | 3.8 | — | 0.16 | 1.7 | ms |
| Erasure time | 64 bytes | t_{DE64} | — | 3.1 | 18 | — | 1.7 | 10 | ms |
| Blank check time | 4 bytes | t_{DBC4} | — | — | 84 | — | — | 30 | μs |
| | 64 bytes | t_{DBC64} | — | — | 280 | — | — | 100 | μs |
| | 2 Kbytes | t_{DBC2K} | — | — | 6169 | — | — | 2200 | μs |
| Reprogramming/erasure cycle*1 | | N_{DPEC} | 100000 *2 | — | — | 100000 *2 | — | — | — |
| Suspend delay time during programming | | t_{DSPD} | — | — | 264 | — | — | 120 | μs |
| First suspend delay time during erasure (in suspend priority mode) | | t_{DSESD1} | — | — | 216 | — | — | 120 | μs |
| Second suspend delay time during erasure (in suspend priority mode) | | t_{DSESD2} | — | — | 300 | — | — | 300 | μs |
| Suspend delay time during erasing (in erasure priority mode) | | t_{DSEED} | — | — | 300 | — | — | 300 | μs |
| Forced stop command | | t_{FD} | — | — | 32 | — | — | 20 | μs |
| Data hold time*3 | | t_{DDRP} | 10 | — | — | 10 | — | — | — |

Note 1. Definition of reprogram/erase cycle:

The reprogram/erase cycle is the number of erasing for each block. When the reprogram/erase cycle is n times ($n = 100000$), erasing can be performed n times for each block. For instance, when 4-byte programming is performed 512 times for different addresses in 2-Kbyte block and then the entire block is erased, the reprogram/erase cycle is counted as one. However, programming the same address for several times as one erasing is not enabled (overwriting is prohibited).

Note 2. This is the minimum number of times to guarantee all the characteristics after reprogramming (guaranteed range is from 1 to the value of the minimum value).

Note 3. This shows the characteristics when reprogramming is performed within the specified range, including the minimum value.

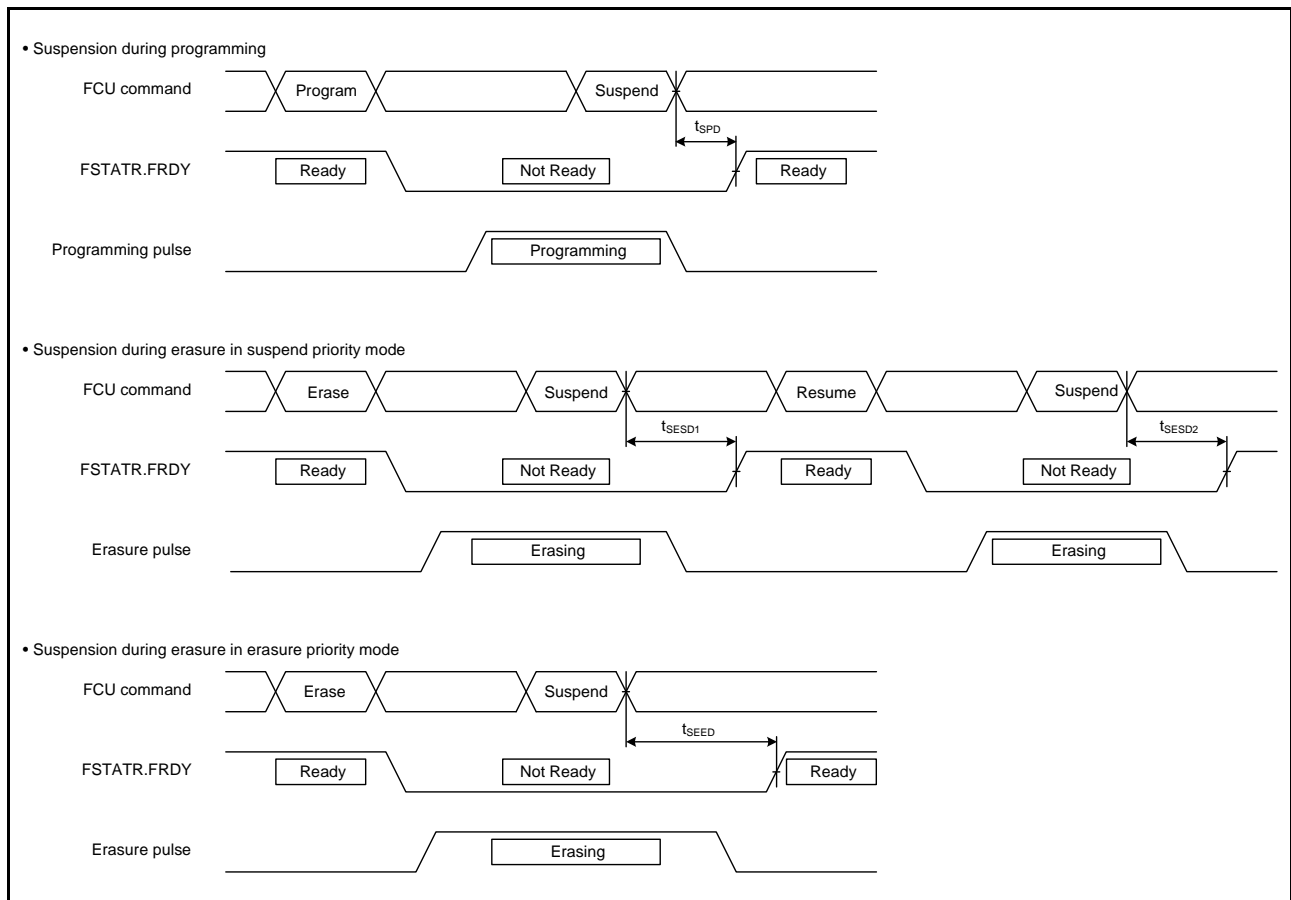


Figure 5.85 Flash Memory Programming/Erasure Suspension Timing

5.12 Boundary Scan

Table 5.55 Boundary Scan Characteristics

Conditions: $VCC = AVCC0 = AVCC1 = VCC_USB = V_{BATT} = 2.7$ to 3.6 V, $2.7 \leq VREFH0 \leq AVCC0$,
 $VCC_USBA = AVCC_USBA = 3.0$ to 3.6 V,
 $VSS = AVSS0 = AVSS1 = VREFL0 = VSS_USB = VSS1_USBA = VSS2_USBA = PVSS_USBA = AVSS_USBA = 0$ V,
 $T_a = T_{opr}$
 Output load conditions: $V_{OH} = VCC \times 0.5$, $V_{OL} = VCC \times 0.5$, $C = 30$ pF
 High-drive output is selected by the driving ability control register.

| Item | Symbol | Min. | Typ. | Max. | Unit | Test Conditions |
|----------------------------|--------------|------|------|------|--------------|-----------------|
| TCK clock cycle time | t_{TCKcyc} | 100 | — | — | ns | Figure 5.86 |
| TCK clock high pulse width | t_{TCKH} | 45 | — | — | ns | |
| TCK clock low pulse width | t_{TCKL} | 45 | — | — | ns | |
| TCK clock rise time | t_{TCKr} | — | — | 5 | ns | |
| TCK clock fall time | t_{TCKf} | — | — | 5 | ns | |
| TRST# pulse width | t_{TRSTW} | 20 | — | — | t_{TCKcyc} | Figure 5.87 |
| TMS setup time | t_{TMSS} | 20 | — | — | ns | Figure 5.88 |
| TMS hold time | t_{TMSH} | 20 | — | — | ns | |
| TDI setup time | t_{TDIS} | 20 | — | — | ns | |
| TDI hold time | t_{TDIH} | 20 | — | — | ns | |
| TDO data delay time | t_{TDOD} | — | — | 40 | ns | |

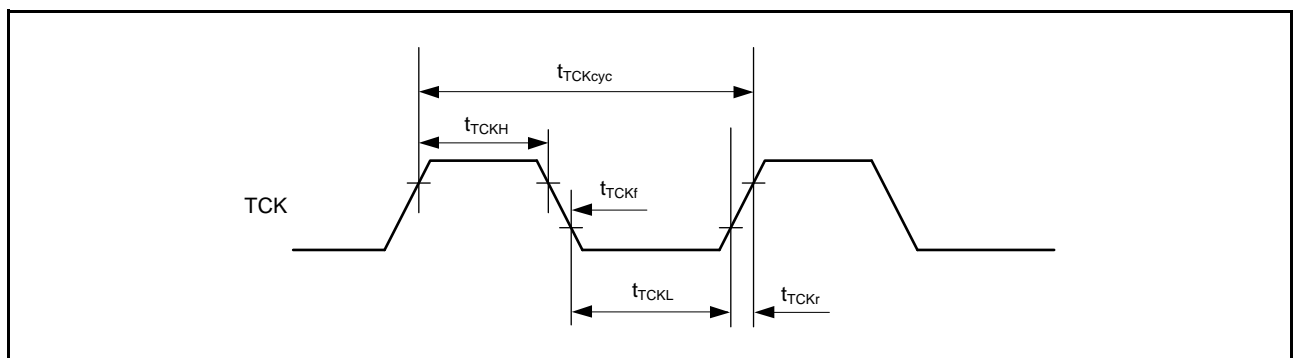


Figure 5.86 Boundary Scan TCK Timing

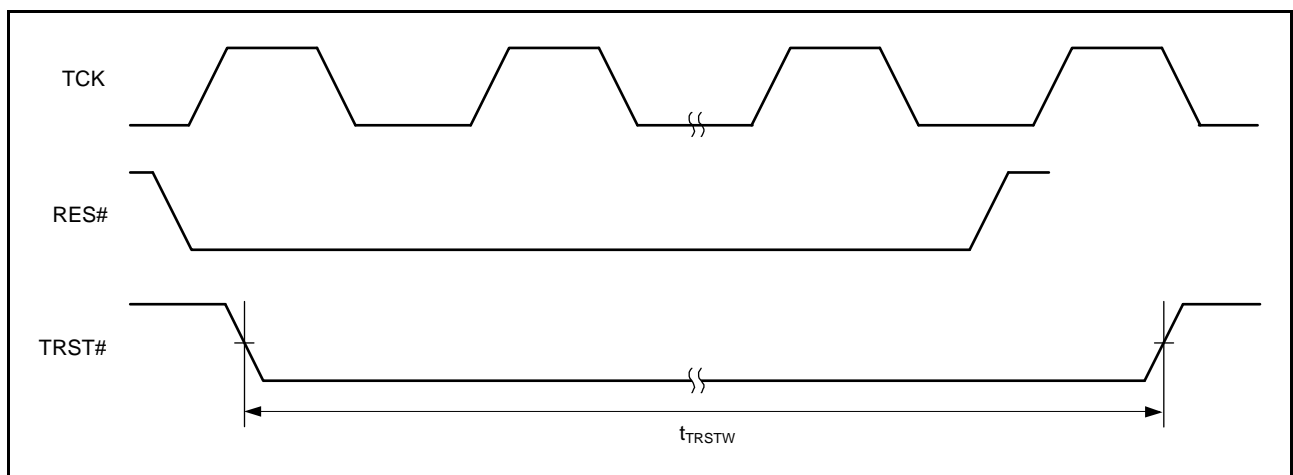


Figure 5.87 Boundary Scan TRST# Timing

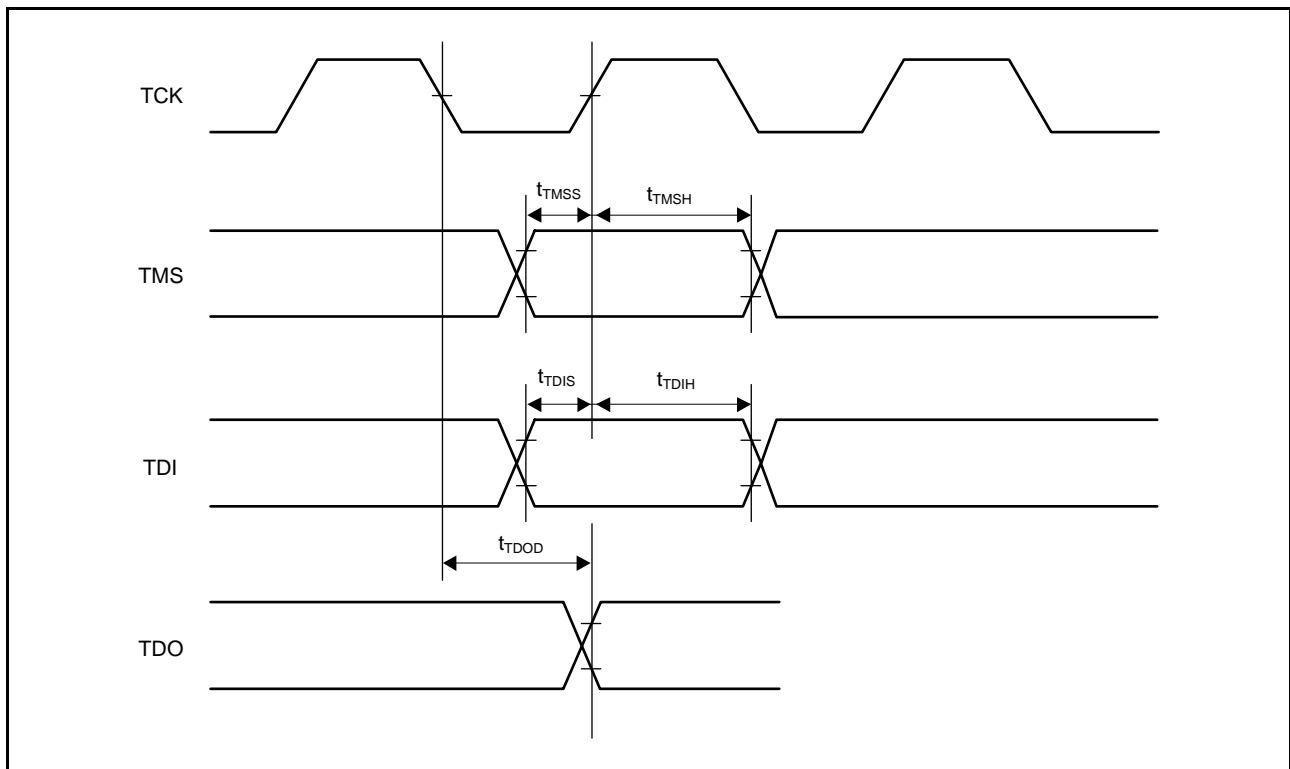


Figure 5.88 Boundary Scan Input/Output Timing

Appendix 1. Package Dimensions

Information on the latest version of the package dimensions or mountings has been displayed in “Packages” on Renesas Electronics Corporation website.

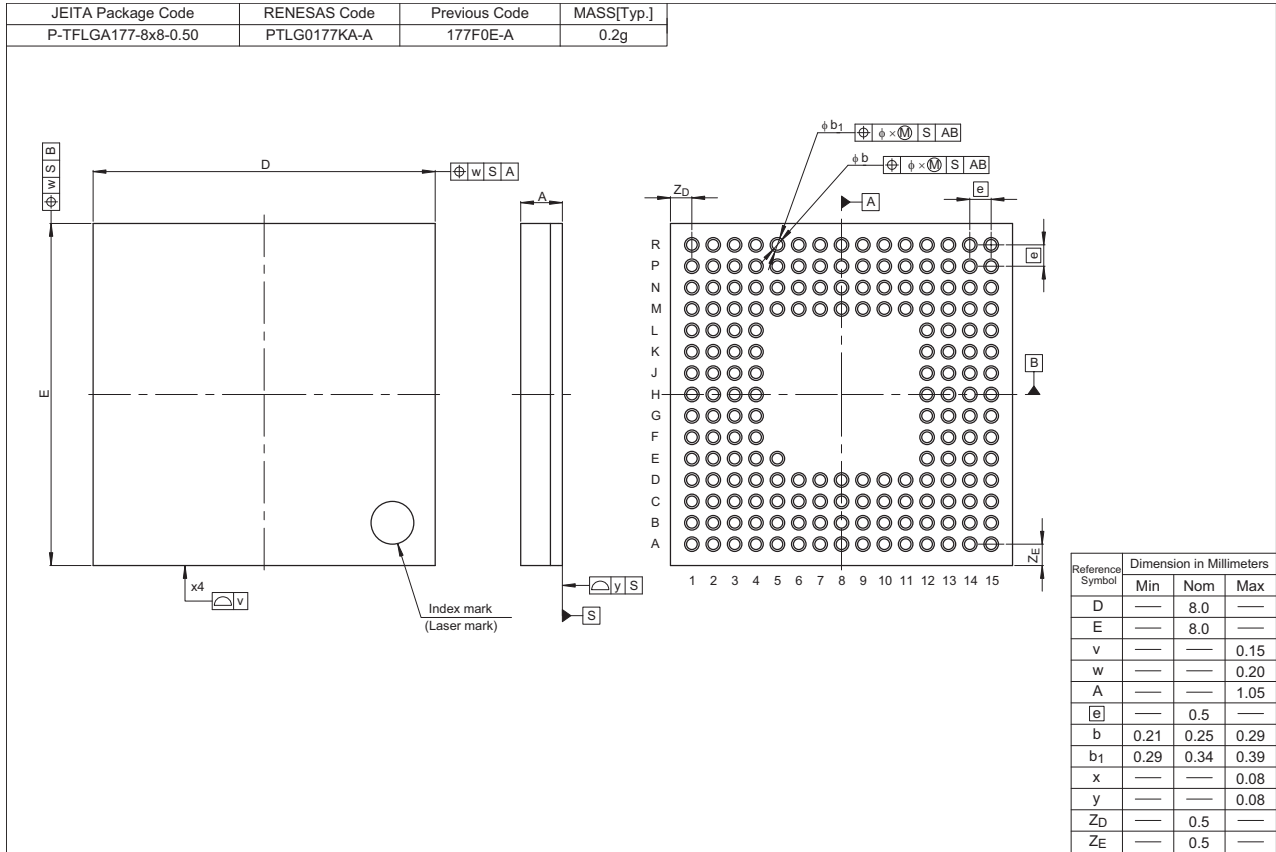


Figure A 177-Pin TFLGA (PTLG0177KA-A)

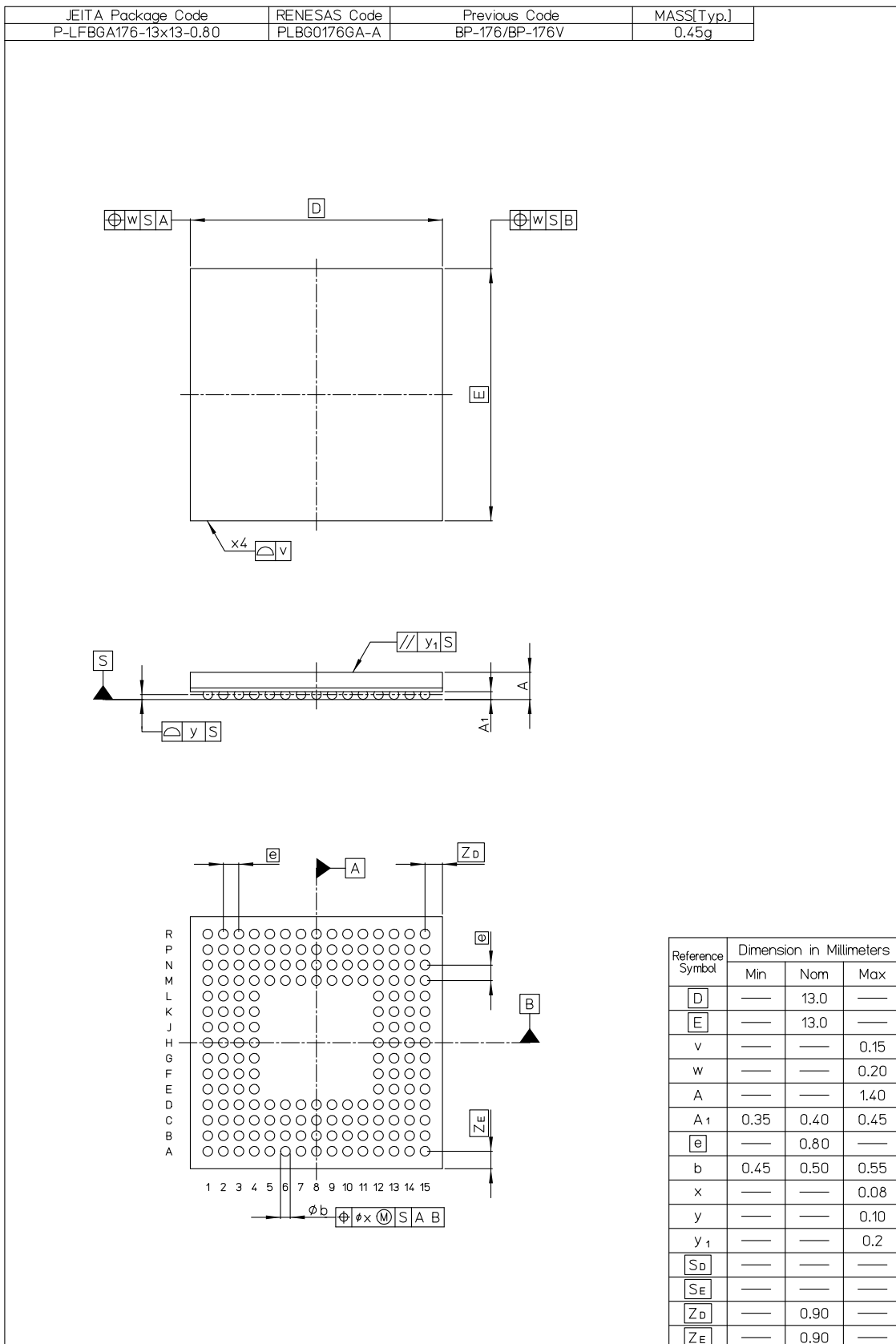


Figure B 176-Pin LFBGA (PLBG0176GA-A)

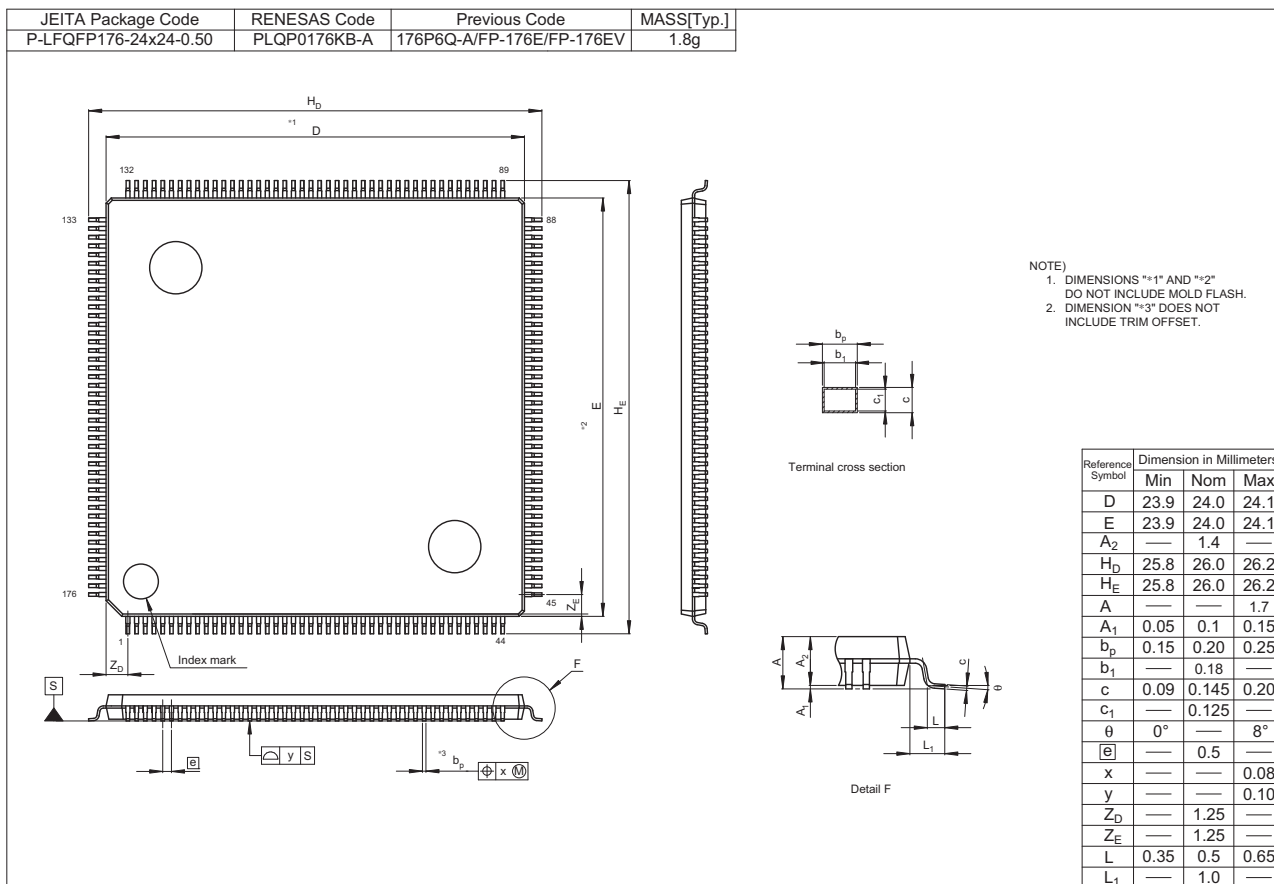


Figure C 176-Pin LFQFP (PLQP0176KB-A)

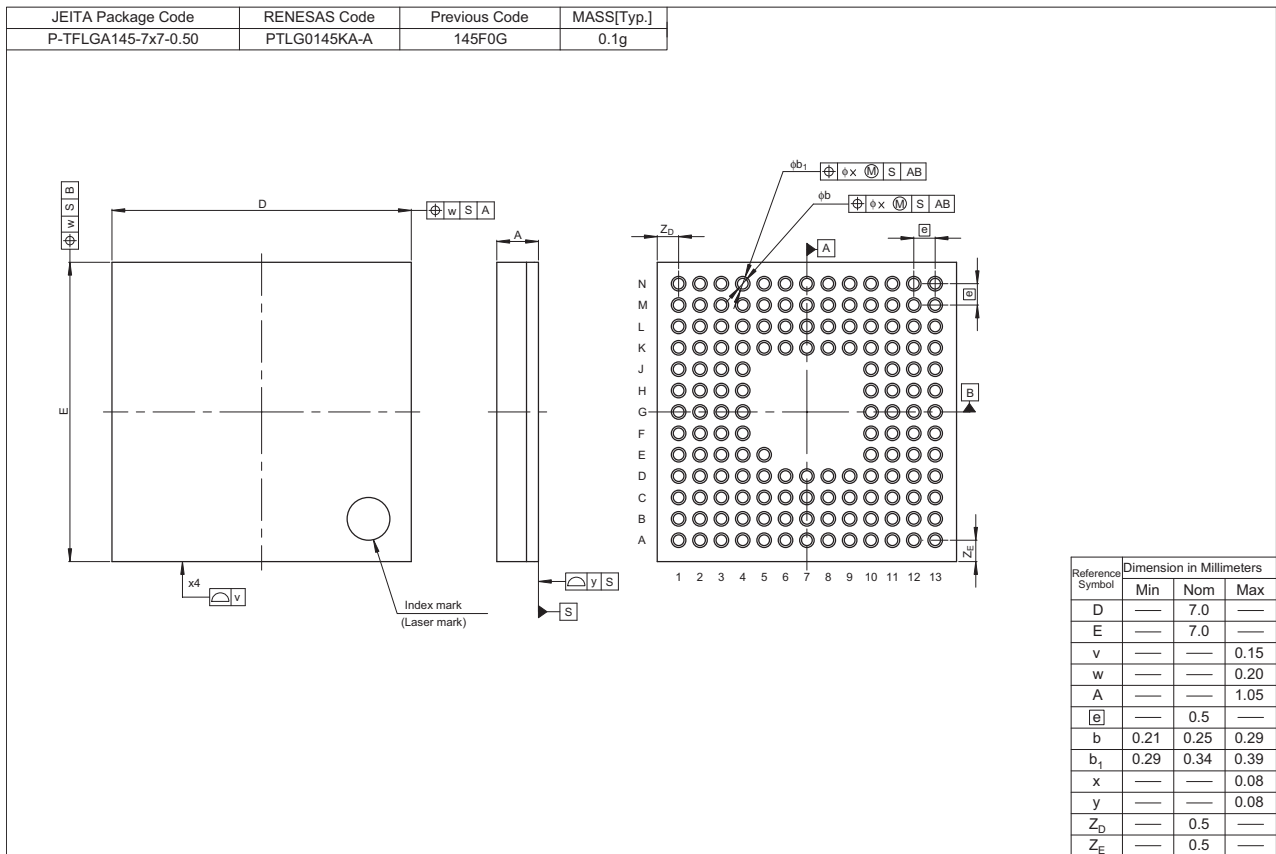


Figure D 145-Pin TFLGA (PTLG0145KA-A)

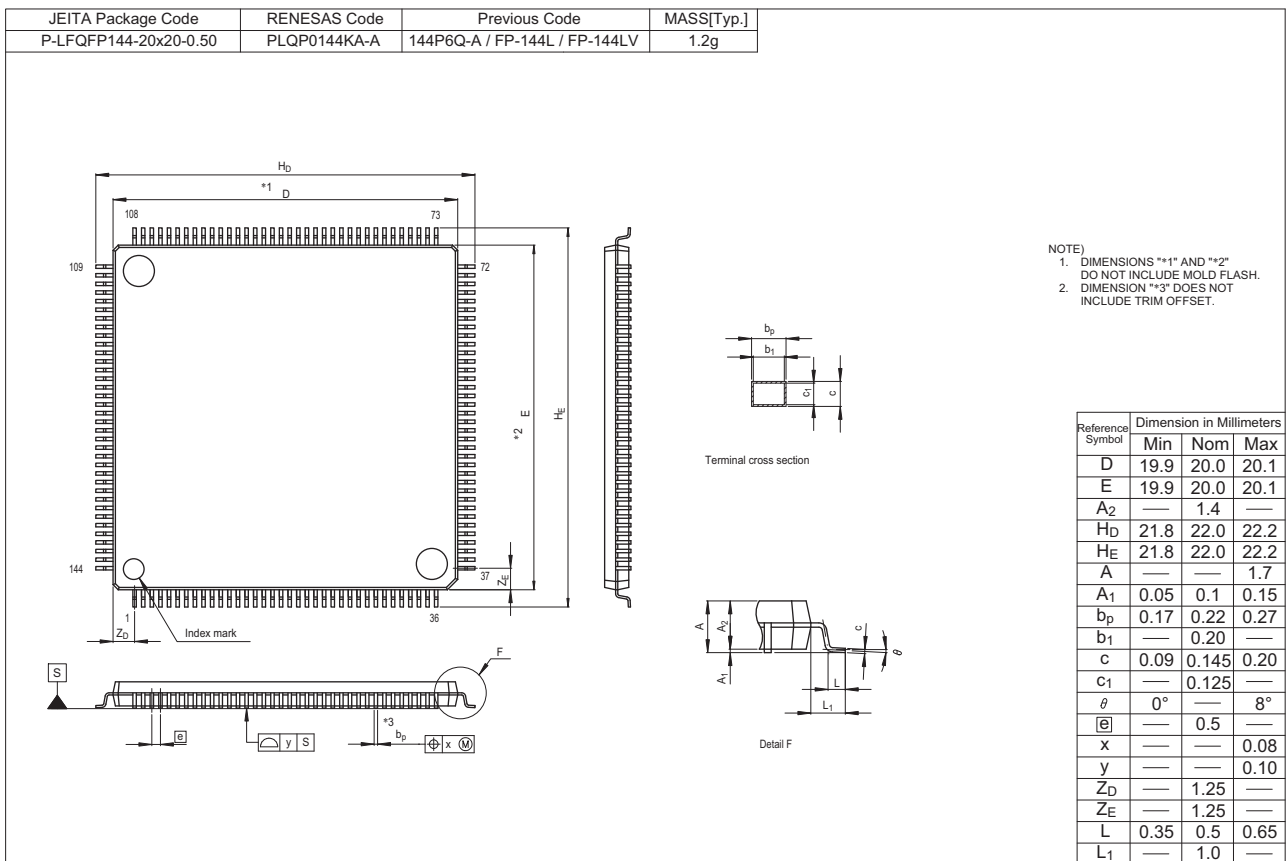


Figure E 144-Pin LFQFP (PLQP0144KA-A)

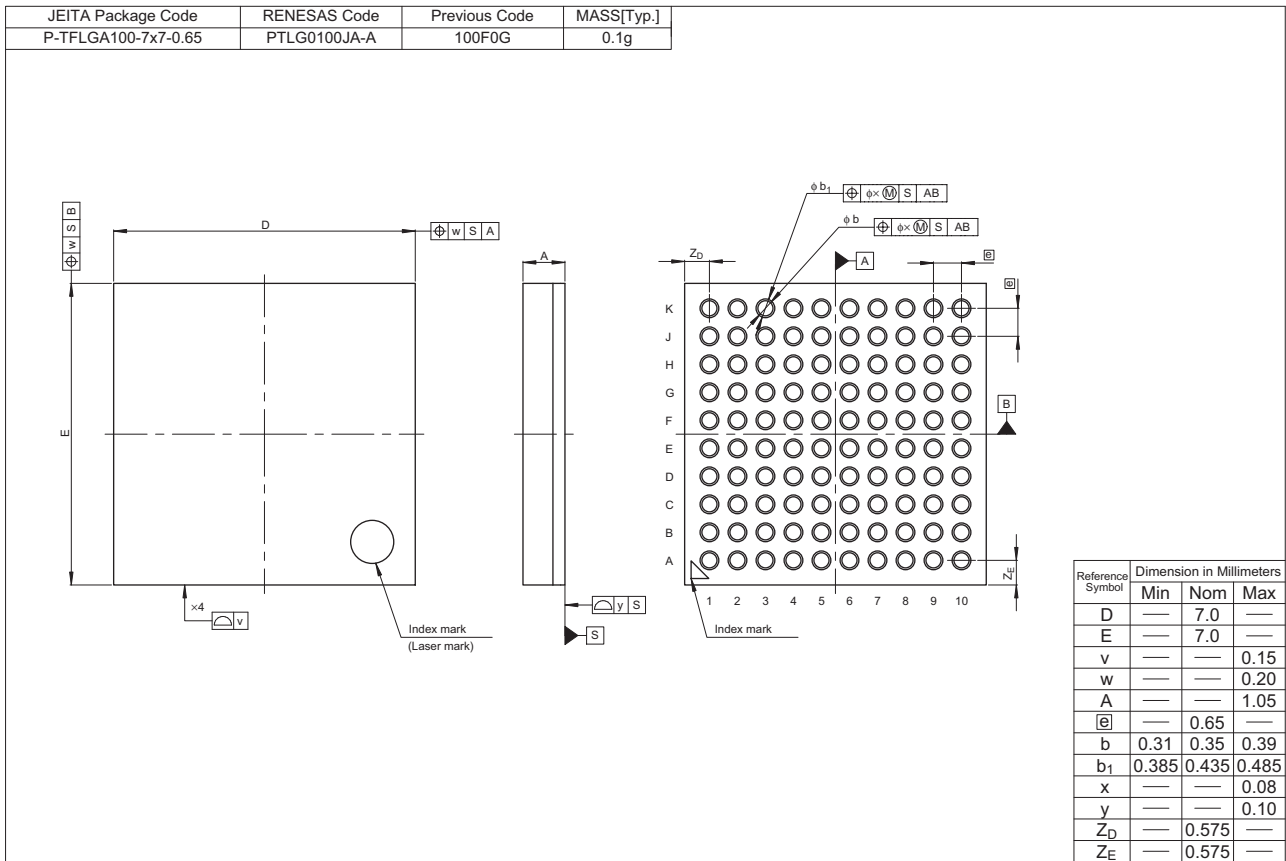


Figure F 100-Pin TFLGA (PTLG0100JA-A)

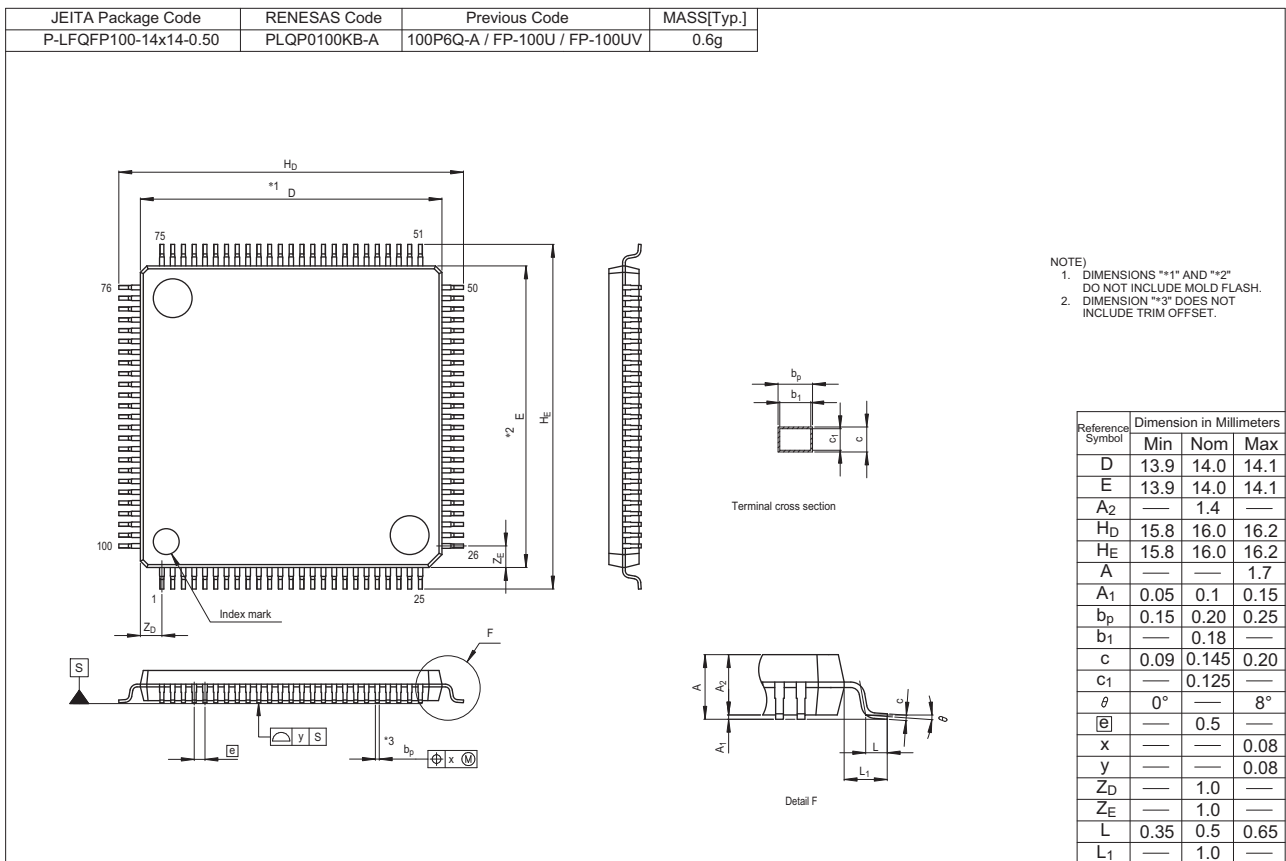


Figure G 100-Pin LFQFP (PLQP0100KB-A)

| | |
|------------------|-----------------------|
| REVISION HISTORY | RX64M Group Datasheet |
|------------------|-----------------------|

| Rev. | Date | Description | |
|------|--------------|---------------------------------------|---|
| | | Page | Summary |
| 0.90 | Feb 28, 2014 | — | First edition, issued |
| 1.00 | Jul 31, 2014 | Summary | |
| | | 1 | ■ Data transfer, changed |
| | | 1. Overview | |
| | | — | FINEC (Pin), deleted |
| | | 2 | Table 1.1 Outline of Specifications (1/9), changed |
| | | 3 | Table 1.1 Outline of Specifications (2/9), changed |
| | | 6 | Table 1.1 Outline of Specifications (5/9), changed |
| | | 7 | Table 1.1 Outline of Specifications (6/9), changed |
| | | 8 | Table 1.1 Outline of Specifications (7/9), changed |
| | | 9 | Table 1.1 Outline of Specifications (8/9), changed |
| | | 10 | Table 1.1 Outline of Specifications (9/9), changed |
| | | 16 | Figure 1.1 How to Read the Product Part Number, changed |
| | | 19 | Table 1.4 Pin Functions (2/8), changed |
| | | 20 | Table 1.4 Pin Functions (3/8), changed |
| | | 25 | Table 1.4 Pin Functions (8/8), note added |
| | | 2. CPU, added | |
| | | 3. Address Space, added | |
| | | 4. I/O Registers, added | |
| | | 5. Electrical Characteristics, added | |
| | | Appendix 1. Package Dimensions, added | |

Classifications

- Items with Technical Update document number: Changes according to the corresponding issued Technical Update
- Items without Technical Update document number: Minor changes that do not require Technical Update to be issued

| Rev. | Date | Description | | Classification |
|------|---|------------------|---|----------------|
| | | Page | Summary | |
| 1.10 | Oct 24, 2016 | All | Terms unified: GPTa → GPTA LQFP → LFQFP | |
| | | Features | | |
| | | 1 | AES key lengths, changed | TN-RX*-A122A/E |
| | | 1. Overview | | |
| | | 2 | Table 1.1 Outline of Specifications (1/9), changed | TN-RX*-A127A/E |
| | | 5 | Table 1.1 Outline of Specifications (4/9), changed | |
| | | 10 | Table 1.1 Outline of Specifications (9/9), changed | TN-RX*-A122A/E |
| | | 28 | Figure 1.5 Pin Assignment (176-Pin LFQFP), changed | |
| | | 48 | Table 1.7 List of Pin and Pin Functions (145-Pin TFLGA) (2/5), changed | |
| | | 49 | Table 1.7 List of Pin and Pin Functions (145-Pin TFLGA) (3/5), changed | |
| | | 52 | Table 1.8 List of Pin and Pin Functions (144-Pin LFQFP) (1/5), changed | |
| | | 55 | Table 1.8 List of Pin and Pin Functions (144-Pin LFQFP) (4/5), changed | |
| | | 58 | Table 1.9 List of Pin and Pin Functions (100-Pin TFLGA) (2/4), changed | |
| | | 59 | Table 1.9 List of Pin and Pin Functions (100-Pin TFLGA) (3/4), changed | |
| | | 63 | Table 1.10 List of Pin and Pin Functions (100-Pin LFQFP) (3/4), changed | |
| | | 4. I/O Registers | | |
| | | 71 | (4) Notes on Sleep Mode and Mode Transitions, added | |
| 73 | Table 4.1 List of I/O Registers (Address Order) (2 / 67) 0008 1200h, 0008 1201h, 0008 1204h, 0008 1208h, added | TN-RX*-A127A/E | | |

| Rev. | Date | Description | | Classification |
|------|---|-------------------------------|--|----------------------------------|
| | | Page | Summary | |
| 1.10 | Oct 24, 2016 | 108 | Table 4.1 List of I/O Registers (Address Order) (37 / 67) 0008 C296h, added | |
| | | 110 | Table 4.1 List of I/O Registers (Address Order) (39 / 67), changed | TN-RX*-A152A/E |
| | | 111 | Table 4.1 List of I/O Registers (Address Order) (40 / 67), changed | |
| | | 112 | Table 4.1 List of I/O Registers (Address Order) (41 / 67), changed | |
| | | 119 | Table 4.1 List of I/O Registers (Address Order) (48 / 67) 000C 0438h, 000C 046Ch, deleted | |
| | | 132, 133 | Table 4.1 List of I/O Registers (Address Order) (61 / 67), (62 / 67), changed | |
| | | 138 | Table 4.1 List of I/O Registers (Address Order), Note 6 added | TN-RX*-A152A/E |
| | | 5. Electrical Characteristics | | |
| | | 139 | Table 5.1 Absolute Maximum Rating, changed | TN-RX*-A160A/E |
| | | 140 | Table 5.2 DC Characteristics (1), changed | TN-RX*-A159A/E TN-RX*-A160A/E |
| | | 141 | Table 5.3 DC Characteristics (2), changed | TN-RX*-A159A/E |
| | | 183 | Figure 5.48 RSPI Timing (Master, CPHA = 0) (Bit Rate: PCLKB Division Ratio Set to 1/2), changed | |
| | | 206 | Table 5.49 Temperature Sensor Characteristics, changed | TN-RX*-A159A/E |
| | | 212 | Figure 5.84 Battery Backup Function Characteristics, changed | |
| | | 213 | Table 5.53 Code Flash Memory Characteristics, changed | TN-RX*-A146A/E |
| 214 | Table 5.54 Data Flash Memory Characteristics, changed | | | |

All trademarks and registered trademarks are the property of their respective owners.

General Precautions in the Handling of Microprocessing Unit and Microcontroller Unit Products

The following usage notes are applicable to all Microprocessing unit and Microcontroller unit products from Renesas. For detailed usage notes on the products covered by this document, refer to the relevant sections of the document as well as any technical updates that have been issued for the products.

1. Handling of Unused Pins

Handle unused pins in accordance with the directions given under Handling of Unused Pins in the manual.

¾ The input pins of CMOS products are generally in the high-impedance state. In operation with an unused pin in the open-circuit state, extra electromagnetic noise is induced in the vicinity of LSI, an associated shoot-through current flows internally, and malfunctions occur due to the false recognition of the pin state as an input signal become possible. Unused pins should be handled as described under Handling of Unused Pins in the manual.

2. Processing at Power-on

The state of the product is undefined at the moment when power is supplied.

¾ The states of internal circuits in the LSI are indeterminate and the states of register settings and pins are undefined at the moment when power is supplied.

In a finished product where the reset signal is applied to the external reset pin, the states of pins are not guaranteed from the moment when power is supplied until the reset process is completed. In a similar way, the states of pins in a product that is reset by an on-chip power-on reset function are not guaranteed from the moment when power is supplied until the power reaches the level at which resetting has been specified.

3. Prohibition of Access to Reserved Addresses

Access to reserved addresses is prohibited.

¾ The reserved addresses are provided for the possible future expansion of functions. Do not access these addresses; the correct operation of LSI is not guaranteed if they are accessed.

4. Clock Signals

After applying a reset, only release the reset line after the operating clock signal has become stable. When switching the clock signal during program execution, wait until the target clock signal has stabilized.

¾ When the clock signal is generated with an external resonator (or from an external oscillator) during a reset, ensure that the reset line is only released after full stabilization of the clock signal. Moreover, when switching to a clock signal produced with an external resonator (or by an external oscillator) while program execution is in progress, wait until the target clock signal is stable.

5. Differences between Products

Before changing from one product to another, i.e. to a product with a different part number, confirm that the change will not lead to problems.

¾ The characteristics of Microprocessing unit or Microcontroller unit products in the same group but having a different part number may differ in terms of the internal memory capacity, layout pattern, and other factors, which can affect the ranges of electrical characteristics, such as characteristic values, operating margins, immunity to noise, and amount of radiated noise. When changing to a product with a different part number, implement a system-evaluation test for the given product.

Notice

1. Descriptions of circuits, software and other related information in this document are provided only to illustrate the operation of semiconductor products and application examples. You are fully responsible for the incorporation of these circuits, software, and information in the design of your equipment. Renesas Electronics assumes no responsibility for any losses incurred by you or third parties arising from the use of these circuits, software, or information.
2. Renesas Electronics has used reasonable care in preparing the information included in this document, but Renesas Electronics does not warrant that such information is error free. Renesas Electronics assumes no liability whatsoever for any damages incurred by you resulting from errors in or omissions from the information included herein.
3. Renesas Electronics does not assume any liability for infringement of patents, copyrights, or other intellectual property rights of third parties by or arising from the use of Renesas Electronics products or technical information described in this document. No license, express, implied or otherwise, is granted hereby under any patents, copyrights or other intellectual property rights of Renesas Electronics or others.
4. You should not alter, modify, copy, or otherwise misappropriate any Renesas Electronics product, whether in whole or in part. Renesas Electronics assumes no responsibility for any losses incurred by you or third parties arising from such alteration, modification, copy or otherwise misappropriation of Renesas Electronics product.
5. Renesas Electronics products are classified according to the following two quality grades: "Standard" and "High Quality". The recommended applications for each Renesas Electronics product depends on the product's quality grade, as indicated below.
"Standard": Computers; office equipment; communications equipment; test and measurement equipment; audio and visual equipment; home electronic appliances; machine tools; personal electronic equipment; and industrial robots etc.
"High Quality": Transportation equipment (automobiles, trains, ships, etc.); traffic control systems; anti-disaster systems; anti-crime systems; and safety equipment etc.
Renesas Electronics products are neither intended nor authorized for use in products or systems that may pose a direct threat to human life or bodily injury (artificial life support devices or systems, surgical implantations etc.), or may cause serious property damages (nuclear reactor control systems, military equipment etc.). You must check the quality grade of each Renesas Electronics product before using it in a particular application. You may not use any Renesas Electronics product for any application for which it is not intended. Renesas Electronics shall not be in any way liable for any damages or losses incurred by you or third parties arising from the use of any Renesas Electronics product for which the product is not intended by Renesas Electronics.
6. You should use the Renesas Electronics products described in this document within the range specified by Renesas Electronics, especially with respect to the maximum rating, operating supply voltage range, movement power voltage range, heat radiation characteristics, installation and other product characteristics. Renesas Electronics shall have no liability for malfunctions or damages arising out of the use of Renesas Electronics products beyond such specified ranges.
7. Although Renesas Electronics endeavors to improve the quality and reliability of its products, semiconductor products have specific characteristics such as the occurrence of failure at a certain rate and malfunctions under certain use conditions. Further, Renesas Electronics products are not subject to radiation resistance design. Please be sure to implement safety measures to guard them against the possibility of physical injury, and injury or damage caused by fire in the event of the failure of a Renesas Electronics product, such as safety design for hardware and software including but not limited to redundancy, fire control and malfunction prevention, appropriate treatment for aging degradation or any other appropriate measures. Because the evaluation of microcomputer software alone is very difficult, please evaluate the safety of the final products or systems manufactured by you.
8. Please contact a Renesas Electronics sales office for details as to environmental matters such as the environmental compatibility of each Renesas Electronics product. Please use Renesas Electronics products in compliance with all applicable laws and regulations that regulate the inclusion or use of controlled substances, including without limitation, the EU RoHS Directive. Renesas Electronics assumes no liability for damages or losses occurring as a result of your noncompliance with applicable laws and regulations.
9. Renesas Electronics products and technology may not be used for or incorporated into any products or systems whose manufacture, use, or sale is prohibited under any applicable domestic or foreign laws or regulations. You should not use Renesas Electronics products or technology described in this document for any purpose relating to military applications or use by the military, including but not limited to the development of weapons of mass destruction. When exporting the Renesas Electronics products or technology described in this document, you should comply with the applicable export control laws and regulations and follow the procedures required by such laws and regulations.
10. It is the responsibility of the buyer or distributor of Renesas Electronics products, who distributes, disposes of, or otherwise places the product with a third party, to notify such third party in advance of the contents and conditions set forth in this document, Renesas Electronics assumes no responsibility for any losses incurred by you or third parties as a result of unauthorized use of Renesas Electronics products.
11. This document may not be reproduced or duplicated in any form, in whole or in part, without prior written consent of Renesas Electronics.
12. Please contact a Renesas Electronics sales office if you have any questions regarding the information contained in this document or Renesas Electronics products, or if you have any other inquiries.

(Note 1) "Renesas Electronics" as used in this document means Renesas Electronics Corporation and also includes its majority-owned subsidiaries.

(Note 2) "Renesas Electronics product(s)" means any product developed or manufactured by or for Renesas Electronics.



SALES OFFICES

Renesas Electronics Corporation

<http://www.renesas.com>

Refer to "<http://www.renesas.com/>" for the latest and detailed information.

Renesas Electronics America Inc.

2801 Scott Boulevard Santa Clara, CA 95050-2549, U.S.A.
Tel: +1-408-588-6000, Fax: +1-408-588-6130

Renesas Electronics Canada Limited

9251 Yonge Street, Suite 8309 Richmond Hill, Ontario Canada L4C 9T3
Tel: +1-905-237-2004

Renesas Electronics Europe Limited

Dukes Meadow, Millboard Road, Bourne End, Buckinghamshire, SL8 5FH, U.K
Tel: +44-1628-585-100, Fax: +44-1628-585-900

Renesas Electronics Europe GmbH

Arcadiastrasse 10, 40472 Düsseldorf, Germany
Tel: +49-211-6503-0, Fax: +49-211-6503-1327

Renesas Electronics (China) Co., Ltd.

Room 1709, Quantum Plaza, No.27 ZhiChunLu Haidian District, Beijing 100191, P.R.China
Tel: +86-10-8235-1155, Fax: +86-10-8235-7679

Renesas Electronics (Shanghai) Co., Ltd.

Unit 301, Tower A, Central Towers, 555 Langao Road, Putuo District, Shanghai, P. R. China 200333
Tel: +86-21-2226-0888, Fax: +86-21-2226-0999

Renesas Electronics Hong Kong Limited

Unit 1601-1611, 16/F., Tower 2, Grand Century Place, 193 Prince Edward Road West, Mongkok, Kowloon, Hong Kong
Tel: +852-2265-6688, Fax: +852 2886-9022

Renesas Electronics Taiwan Co., Ltd.

13F, No. 363, Fu Shing North Road, Taipei 10543, Taiwan
Tel: +886-2-8175-9600, Fax: +886 2-8175-9670

Renesas Electronics Singapore Pte. Ltd.

80 Bendemeer Road, Unit #06-02 Hyflux Innovation Centre, Singapore 339949
Tel: +65-6213-0200, Fax: +65-6213-0300

Renesas Electronics Malaysia Sdn.Bhd.

Unit 1207, Block B, Menara Amcorp, Amcorp Trade Centre, No. 18, Jln Persiaran Barat, 46050 Petaling Jaya, Selangor Darul Ehsan, Malaysia
Tel: +60-3-7955-9390, Fax: +60-3-7955-9510

Renesas Electronics India Pvt. Ltd.

No.77C, 100 Feet Road, HAL II Stage, Indiranagar, Bangalore, India
Tel: +91-80-67208700, Fax: +91-80-67208777

Renesas Electronics Korea Co., Ltd.

12F., 234 Teheran-ro, Gangnam-Gu, Seoul, 135-080, Korea
Tel: +82-2-558-3737, Fax: +82-2-558-5141