

Analog Peripherals

- **10-Bit ADC**
 - Programmable throughput up to 200 ksps
 - Up to 16 external inputs; programmable as single-ended or differential
 - Reference from internal V_{REF} , V_{DD} , or external pin
 - Internal or external start of conversion sources
 - Built-in temperature sensor ($\pm 3^\circ\text{C}$)
- **10-bit DAC (Current Mode)**
- **Comparator**
 - Programmable hysteresis and response time
 - Configurable to generate interrupts or reset
 - Low current ($0.4\ \mu\text{A}$)

On-Chip Debug

- On-chip debug circuitry facilitates full speed, non-intrusive in-system debug (no emulator required)
- Provides breakpoints, single stepping, watchpoints
- Inspect/modify memory, registers, and stack

Supply Voltage: 2.7 to 3.6 V

- Typical operating current: 6.4 mA at 25 MHz
9 μA at 32 kHz
- Typical stop mode current: $<0.1\ \mu\text{A}$

Temperature Range: -40 to $+85^\circ\text{C}$

High-Speed 8051 μC Core

- Pipelined instruction architecture; executes 70% of instructions in 1 or 2 system clocks
- Up to 25 MIPS throughput with 25 MHz clock
- Expanded interrupt handler

Memory

- 768 bytes data RAM
- 8 kB Flash; in-system programmable in 512 byte sectors (512 bytes are reserved)

Digital Peripherals

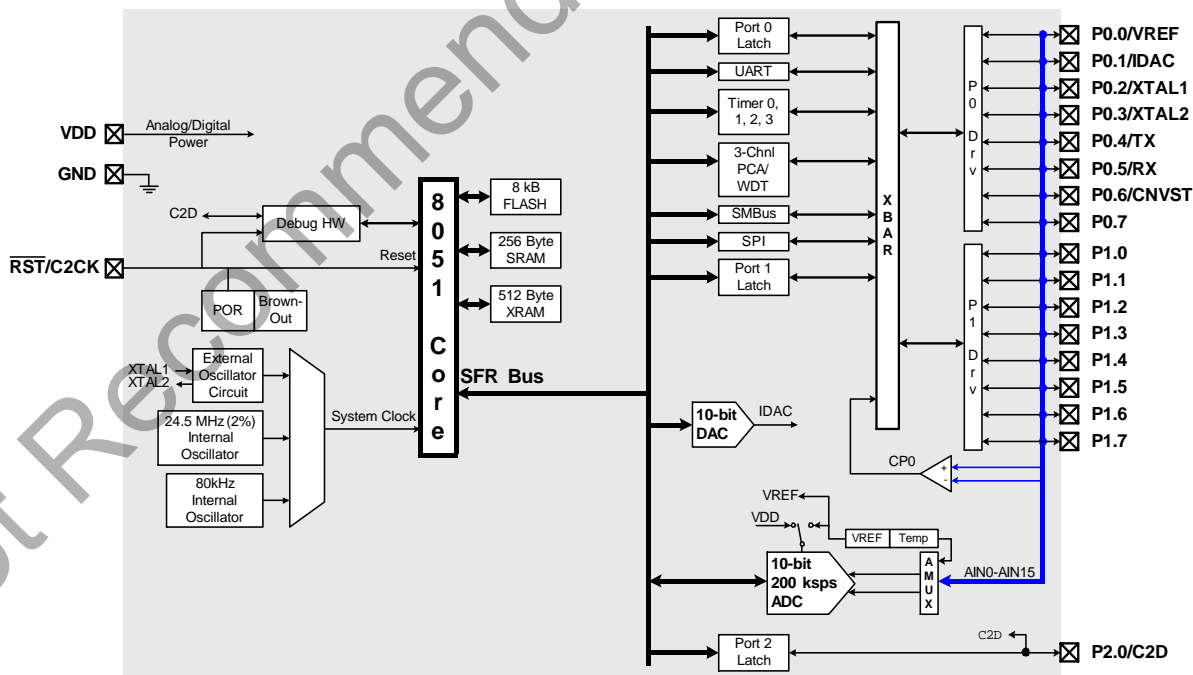
- 17 port I/O; all are 5 V tolerant
- Hardware SMBus™ (I2C™ compatible), SPI™, and UART serial ports available concurrently
- Programmable 16-bit counter/timer array with three capture/compare modules, WDT
- 4 general-purpose 16-bit counter/timers
- Real-time clock mode using PCA or timer and external clock source

Clock Sources

- Two internal oscillators:
 - 24.5 MHz, 2% accuracy supports UART operation
 - 80 kHz low frequency, low-power
- External oscillator: Crystal, RC, C, or Clock (1 or 2 pin modes)
- Can switch between clock sources on-the-fly

Full Technical Data Sheet

- C8051F330/1/2/3/4/5



C8051F330-GDI

1. Ordering Information

Table 1.1. Product Selection Guide

Ordering Part Number	MIPS (Peak)	Flash Memory (kB)*	RAM (Bytes)	SMBus/I ² C	UART	Enhanced SPI	Timers (16-bit)	Programmable Counter Array	Digital Port I/Os	10-bit 200 ksps ADC	Internal Voltage Reference	Temperature Sensor	Analog Comparators	Lead-free (RoHS Compliant)	Wafer Thickness
C8051F330-G1DI	25	8	768	1	1	1	4	✓	17	✓	✓	✓	1	✓	28.5433 mil / 725 μm (No backgrind)
C8051F330-GDI	25	8	768	1	1	1	4	✓	17	✓	✓	✓	1	✓	12 mil (backgrind)

***Note:** 512 bytes reserved for factory use.

2. Pin Definitions

Table 2.1. Pin Definitions for the C8051F330-GDI *

Name	Physical Pad Number	Type	Description
V _{DD}	4,5		Power Supply Voltage.
GND	2,3		Ground.
RST/ C2CK	6	D I/O D I/O	Device Reset. Open-drain output of internal POR or V _{DD} monitor. An external source can initiate a system reset by driving this pin low for at least 10 μ s. Clock signal for the C2 Debug Interface.
P2.0/ C2D	7	D I/O D I/O	Port 2.0. Bi-directional data signal for the C2 Debug Interface.
P0.0/ VREF	1	D I/O or A In A In	Port 0.0. External VREF input.
P0.1 IDA0	26	D I/O or A In A Out	Port 0.1. IDA0 Output.
P0.2/ XTAL1	25	D I/O or A In A In	Port 0.2. External Clock Input. This pin is the external oscillator return for a crystal or resonator.
P0.3/ XTAL2	24	D I/O or A In A I/O or D In	Port 0.3. External Clock Output. For an external crystal or resonator, this pin is the excitation driver. This pin is the external clock input for CMOS, capacitor, or RC oscillator configurations.
P0.4	23	D I/O or A In	Port 0.4.
P0.5	22	D I/O or A In	Port 0.5.

***Note:** For a complete description of the functionality of all pins, refer to the C8051F330/1/2/3/4/5 technical data sheet.

C8051F330-GDI

Table 2.1. Pin Definitions for the C8051F330-GDI (Continued)*

Name	Physical Pad Number	Type	Description
P0.6/ CNVSTR	21	D I/O or A In D In	Port 0.6. ADC0 External Convert Start or IDA0 Update Source Input.
P0.7	20	D I/O or A In	Port 0.7.
P1.0	18	D I/O or A In	Port 1.0.
P1.1	16	D I/O or A In	Port 1.1.
P1.2	15	D I/O or A In	Port 1.2.
P1.3	14	D I/O or A In	Port 1.3.
P1.4	11	D I/O or A In	Port 1.4.
P1.5	10	D I/O or A In	Port 1.5.
P1.6	9	D I/O or A In	Port 1.6.
P1.7	8	D I/O or A In	Port 1.7.
<p>*Note: For a complete description of the functionality of all pins, refer to the C8051F330/1/2/3/4/5 technical data sheet.</p>			

3. Bonding Instructions

Table 3.1. C8051F330-GDI Pad Connections

Physical Pad Number	Package Pin Number (20-QFN)	Package Pin Name	Physical Pad X (μm)	Physical Pad Y (μm)
1	P0.0	1	-802.7	964.7
2	GND	2	-964.7	-61.2
3	GND	2	-964.7	-173.2
4	VDD	3	-964.7	-284.1
5	VDD	3	-964.7	-396.1
6	/RST/C2CK	4	-964.7	-587.7
7	P2.0/C2D	5	-964.7	-797.7
8	P1.7	6	-797.7	-964.7
9	P1.6	7	-627.7	-964.7
10	P1.5	8	-447.7	-964.7
11	P1.4	9	240.7	-964.7
12	Reserved*	—	396.7	-964.7
13	Reserved*	—	471.7	-964.7
14	P1.3	10	627.7	-964.7
15	P1.2	11	797.7	-964.7
16	P1.1	12	964.7	-797.7
17	Reserved*	—	964.7	70.05
18	P1.0	13	964.7	201.05
19	Reserved*	—	964.7	337.05
20	P0.7	14	964.7	627.7
21	P0.6	15	964.7	797.7
22	P0.5	16	797.7	964.7
23	P0.4	17	627.7	964.7
24	P0.3	18	447.7	964.7
25	P0.2	19	-79.9	964.7
26	P0.1	20	-622.7	964.7

***Note:** Pins marked "Reserved" should not be connected.

C8051F330-GDI

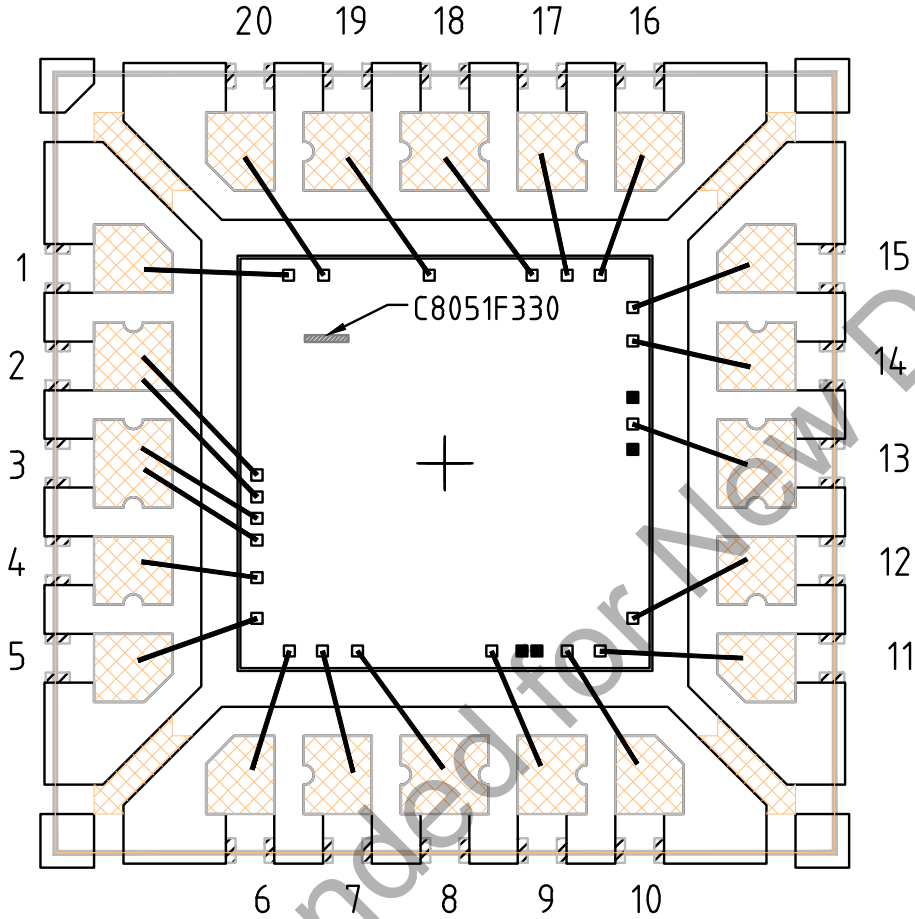


Figure 3.1. Example Die Bonding (QFN-20)

Table 3.2. Wafer and Die Information

Wafer ID	C8051F330
Wafer Dimensions	8 in
Die Dimensions	2.13 mm x 2.13 mm
Wafer Thickness (no backgrind)	28.54 mil \pm 1 mil (725 μ m)
Wafer Thickness (with backgrind)	12 mil \pm 1 mil
Wafer Identification	Notch
Scribe Line Width	80 μ m
Die Per Wafer*	Contact Sales for info
Passivation	Standard
Wafer Packaging Detail	Wafer Jar
Bond Pad Dimensions	60 μ m x 60 μ m
Maximum Processing Temperature	250 $^{\circ}$ C
Electronic Die Map Format	.txt
Bond Pad Pitch Minimum	75 μ m
*Note: This is the Expected Known Good Die yielded per wafer and represents the batch order quantity (one wafer).	

C8051F330-GDI

4. Wafer Storage Guidelines

It is necessary to conform to appropriate wafer storage practices to avoid product degradation or contamination.

- Wafers may be stored for up to 18 months in the original packaging supplied by Silicon Labs.
- Wafers must be stored at a temperature of 18–24 °C.
- Wafers must be stored in a humidity-controlled environment with a relative humidity of <30%.
- Wafers should be stored in a clean, dry, inert atmosphere (e.g. nitrogen or clean, dry air).

Not Recommended for New Designs

5. Failure Analysis (FA) Guidelines

Certain conditions must be met for Silicon Laboratories to perform Failure Analysis on devices sold in wafer form.

- In order to conduct failure analysis on a device in a customer-provided package, Silicon Laboratories must be provided with die assembled in an industry standard package that is pin compatible with existing packages Silicon Laboratories offers for the device. Initial response time for FA requests that meet this requirements will follow the standard FA guidelines for packaged parts.
- If retest of the entire wafer is requested, Silicon Laboratories must be provided with the whole wafer. Silicon Laboratories cannot retest any wafers that have been sawed, diced, backgrind or are on tape. Initial response time for FA requests that meet this requirements will be 3 weeks.

C8051F330-GDI

DOCUMENT CHANGE LIST

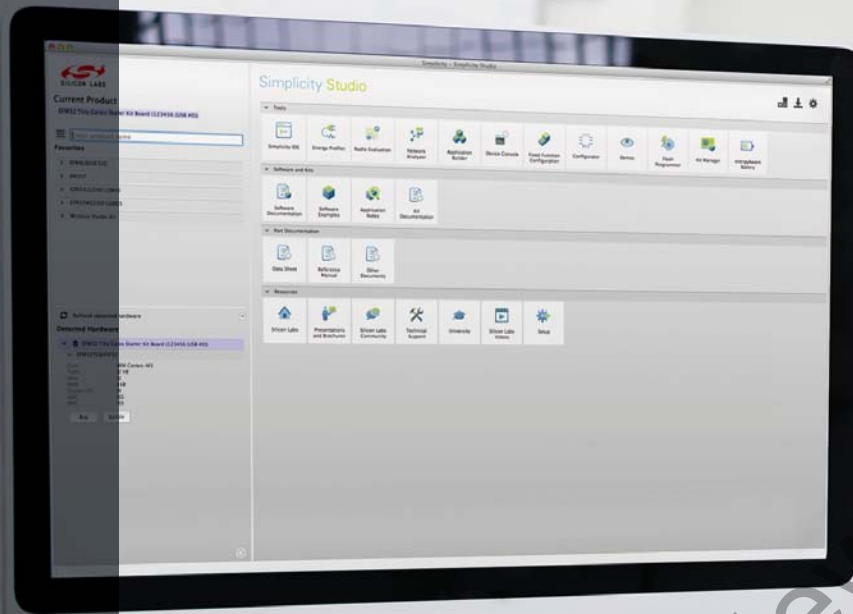
Revision 1.0 to Revision 1.1

- Changed Wafer Packaging Detail to “Wafer Jar” in Table 3.2 on page 7.

Revision 1.1 to Revision 1.2

- Updated Table 1.1, “Product Selection Guide,” on page 2.
- Updated Table 3.2, “Wafer and Die Information,” on page 7.
- Added “5. Failure Analysis (FA) Guidelines” on page 9.

Not Recommended for New Designs



Simplicity Studio

One-click access to MCU and wireless tools, documentation, software, source code libraries & more. Available for Windows, Mac and Linux!



IoT Portfolio
www.silabs.com/IoT



SW/HW
www.silabs.com/simplicity



Quality
www.silabs.com/quality



Support and Community
community.silabs.com

Disclaimer

Silicon Laboratories intends to provide customers with the latest, accurate, and in-depth documentation of all peripherals and modules available for system and software implementers using or intending to use the Silicon Laboratories products. Characterization data, available modules and peripherals, memory sizes and memory addresses refer to each specific device, and "Typical" parameters provided can and do vary in different applications. Application examples described herein are for illustrative purposes only. Silicon Laboratories reserves the right to make changes without further notice and limitation to product information, specifications, and descriptions herein, and does not give warranties as to the accuracy or completeness of the included information. Silicon Laboratories shall have no liability for the consequences of use of the information supplied herein. This document does not imply or express copyright licenses granted hereunder to design or fabricate any integrated circuits. The products must not be used within any Life Support System without the specific written consent of Silicon Laboratories. A "Life Support System" is any product or system intended to support or sustain life and/or health, which, if it fails, can be reasonably expected to result in significant personal injury or death. Silicon Laboratories products are generally not intended for military applications. Silicon Laboratories products shall under no circumstances be used in weapons of mass destruction including (but not limited to) nuclear, biological or chemical weapons, or missiles capable of delivering such weapons.

Trademark Information

Silicon Laboratories Inc., Silicon Laboratories, Silicon Labs, SiLabs and the Silicon Labs logo, CMEMS®, EFM, EFM32, EFR, Energy Micro, Energy Micro logo and combinations thereof, "the world's most energy friendly microcontrollers", Ember®, EZLink®, EZMac®, EZRadio®, EZRadioPRO®, DSPLL®, ISOmodem®, Precision32®, ProSLIC®, SiPHY®, USBXpress® and others are trademarks or registered trademarks of Silicon Laboratories Inc. ARM, CORTEX, Cortex-M3 and THUMB are trademarks or registered trademarks of ARM Holdings. Keil is a registered trademark of ARM Limited. All other products or brand names mentioned herein are trademarks of their respective holders.



SILICON LABS

Silicon Laboratories Inc.
400 West Cesar Chavez
Austin, TX 78701
USA

<http://www.silabs.com>