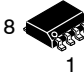


1.5 A, Step-Up/Down/ Inverting Switching Regulators (compatible to MC33063)

The HT83063A Series is a monolithic control circuit containing the primary functions required for DC-to-DC converters. These devices consist of an internal temperature compensated reference, comparator, controlled duty cycle oscillator with an active current limit circuit, driver and high current output switch. This series was specifically designed to be incorporated in Step-Down and Step-Up and Voltage-Inverting applications with a minimum number of external components.

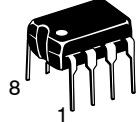
Features

- Operation from 3.0 V to 40 V Input
- Low Standby Current
- Current Limiting
- Output Switch Current to 1.5 A
- Output Voltage Adjustable
- Frequency Operation to 100 kHz
- Precision 2% Reference
- Pb-Free Packages are Available



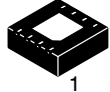
8
1

ESOP-8



8
1

DIP-8



1

DFN8 4*4

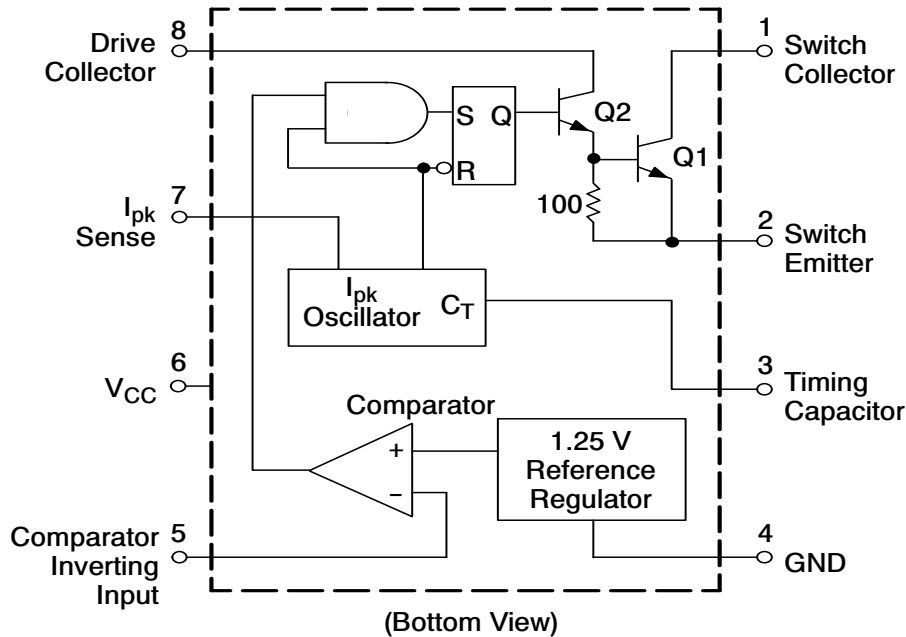
ORDERING INFORMATION

HT83063AREZ ESOP8

HT83063ARDZ DFN8

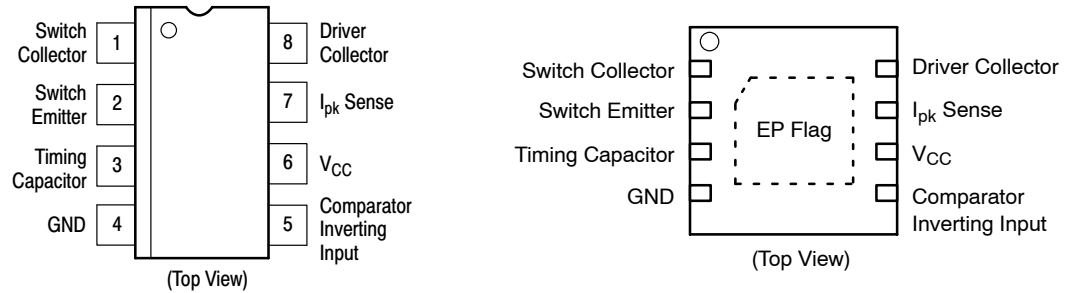
HT83063ANZ DIP8

$T_A = -40^\circ$ to 85°C for all packages.



This device contains 79 active transistors.

Figure 1. Representative Schematic Diagram


Figure 2. Pin Connections
MAXIMUM RATINGS

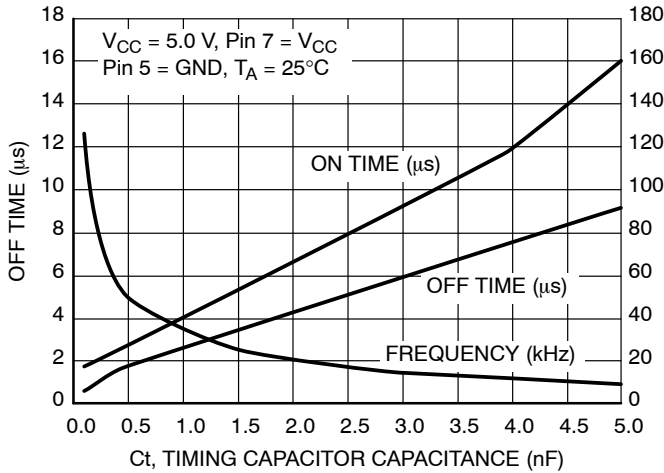
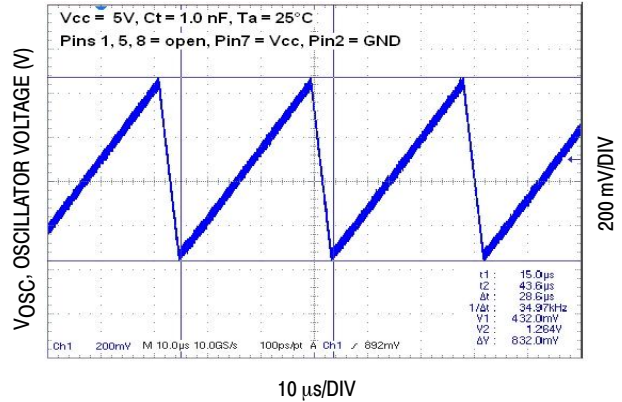
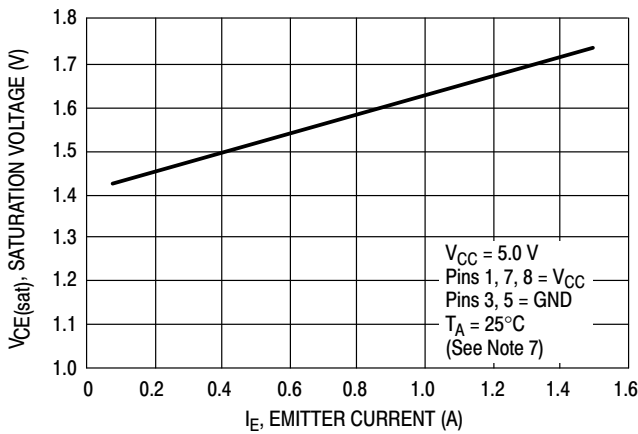
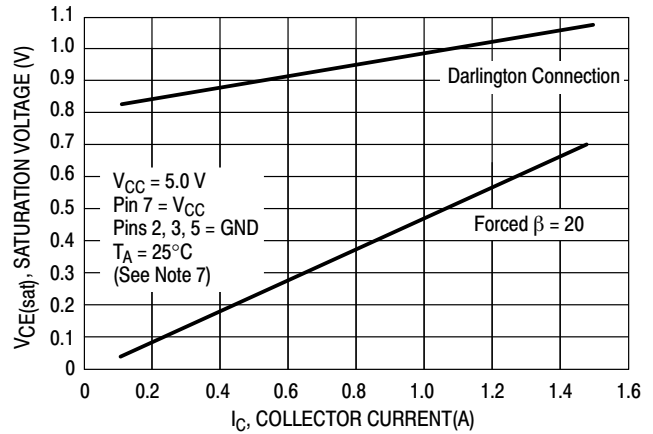
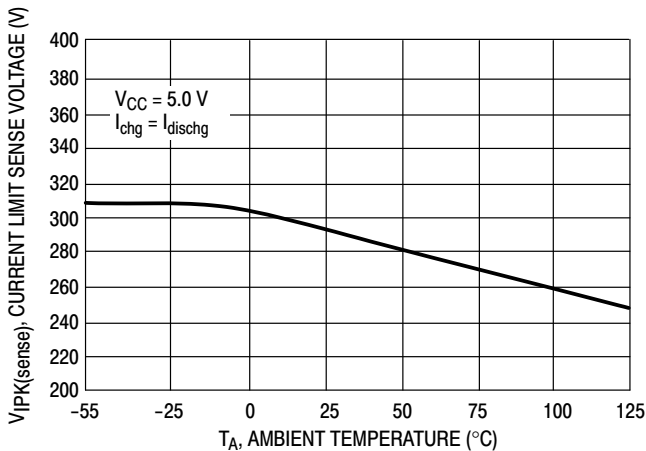
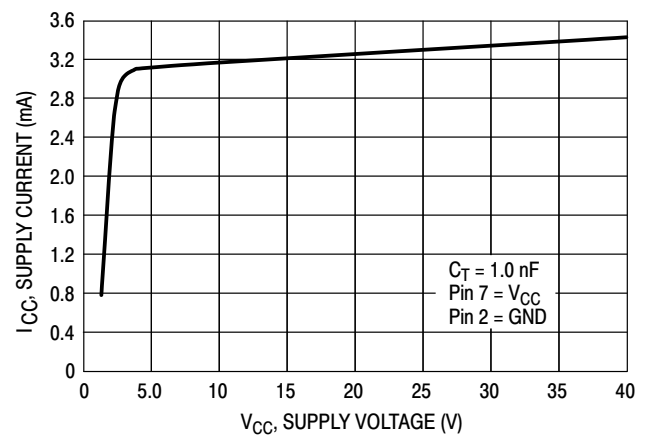
| Rating | Symbol | Value | Unit |
|---|------------------|-------------|--------------------|
| Power Supply Voltage | V_{CC} | 40 | Vdc |
| Comparator Input Voltage Range | V_{IR} | -0.3 to +40 | Vdc |
| Switch Collector Voltage | $V_{C(switch)}$ | 40 | Vdc |
| Switch Emitter Voltage ($V_{Pin\ 1} = 40\text{ V}$) | $V_{E(switch)}$ | 40 | Vdc |
| Switch Collector to Emitter Voltage | $V_{CE(switch)}$ | 40 | Vdc |
| Driver Collector Voltage | $V_{C(driver)}$ | 40 | Vdc |
| Driver Collector Current (Note 1) | $I_{C(driver)}$ | 100 | mA |
| Switch Current | I_{SW} | 1.5 | A |
| Power Dissipation and Thermal Characteristics | | | |
| Plastic Package, P, P1 Suffix | | | |
| $T_A = 25^\circ\text{C}$ | P_D | 1.25 | W |
| Thermal Resistance | $R_{\theta JA}$ | 115 | $^\circ\text{C/W}$ |
| SOIC Package, D Suffix | | | |
| $T_A = 25^\circ\text{C}$ | P_D | 625 | mW |
| Thermal Resistance | $R_{\theta JA}$ | 160 | $^\circ\text{C/W}$ |
| DFN Package | | | |
| $T_A = 25^\circ\text{C}$ | P_D | 1.25 | mW |
| Thermal Resistance | $R_{\theta JA}$ | 80 | $^\circ\text{C/W}$ |
| Operating Junction Temperature | T_J | +150 | $^\circ\text{C}$ |
| Operating Ambient Temperature Range | T_A | | $^\circ\text{C}$ |
| HT84063 | | 0 to +70 | |
| HT82063 | | -40 to +125 | |
| HT83063 | | -40 to +85 | |
| Storage Temperature Range | T_{stg} | -65 to +150 | $^\circ\text{C}$ |

ELECTRICAL CHARACTERISTICS ($V_{CC} = 5.0\text{ V}$, $T_A = T_{low}$ to T_{high} [Note 4], unless otherwise specified.)

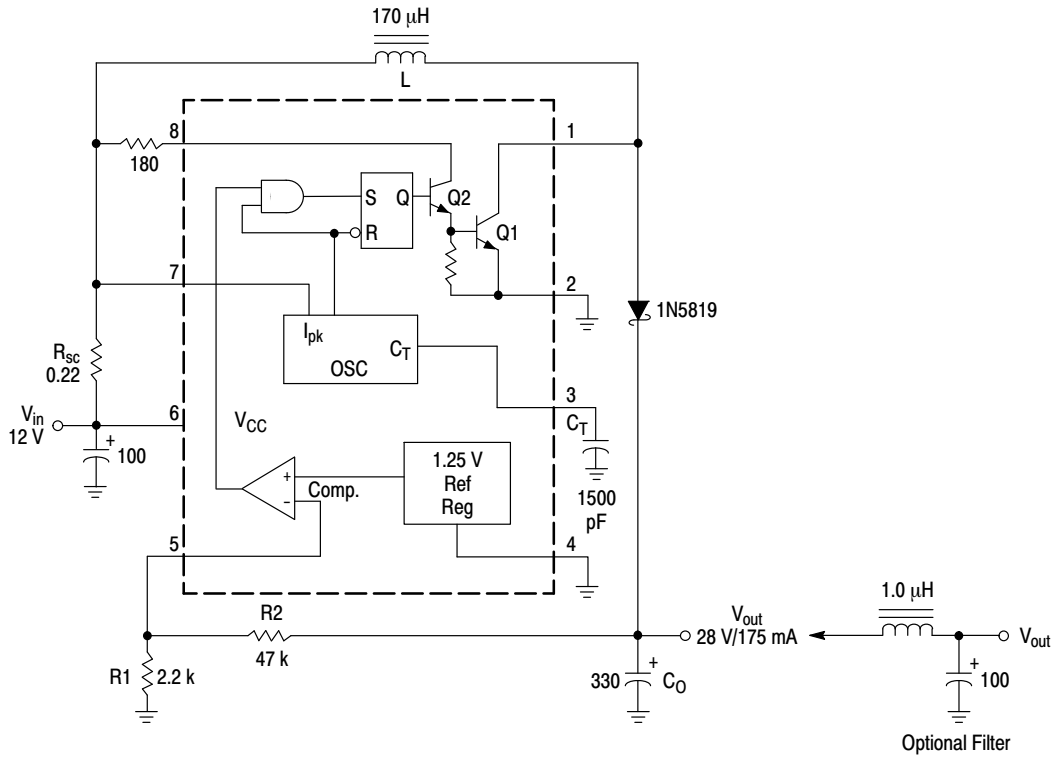
| Characteristics | Symbol | Min | Typ | Max | Unit |
|---|----------------------|---------------|------------|---------------|---------------|
| OSCILLATOR | | | | | |
| Frequency ($V_{Pin 5} = 0\text{ V}$, $C_T = 1.0\text{ nF}$, $T_A = 25^\circ\text{C}$) | f_{osc} | 24 | 33 | 42 | kHz |
| Charge Current ($V_{CC} = 5.0\text{ V to } 40\text{ V}$, $T_A = 25^\circ\text{C}$) | I_{chg} | 24 | 35 | 42 | μA |
| Discharge Current ($V_{CC} = 5.0\text{ V to } 40\text{ V}$, $T_A = 25^\circ\text{C}$) | I_{dischg} | 140 | 220 | 260 | μA |
| Discharge to Charge Current Ratio (Pin 7 to V_{CC} , $T_A = 25^\circ\text{C}$) | I_{dischg}/I_{chg} | 5.2 | 6.5 | 7.5 | - |
| Current Limit Sense Voltage ($I_{chg} = I_{dischg}$, $T_A = 25^\circ\text{C}$) | $V_{ipk(sense)}$ | 250 | 300 | 350 | mV |
| OUTPUT SWITCH (Note 5) | | | | | |
| Saturation Voltage, Darlington Connection ($I_{SW} = 1.0\text{ A}$, Pins 1, 8 connected) | $V_{CE(sat)}$ | - | 1.0 | 1.3 | V |
| Saturation Voltage (Note 6) ($I_{SW} = 1.0\text{ A}$, $R_{Pin 8} = 82\ \Omega$ to V_{CC} , Forced $\beta \approx 20$) | $V_{CE(sat)}$ | - | 0.45 | 0.7 | V |
| DC Current Gain ($I_{SW} = 1.0\text{ A}$, $V_{CE} = 5.0\text{ V}$, $T_A = 25^\circ\text{C}$) | h_{FE} | 50 | 75 | - | - |
| Collector Off-State Current ($V_{CE} = 40\text{ V}$) | $I_{C(off)}$ | - | 0.01 | 100 | μA |
| COMPARATOR | | | | | |
| Threshold Voltage $T_A = 25^\circ\text{C}$ $T_A = T_{low}$ to T_{high} | V_{th} | 1.225 1.21 | 1.25 - | 1.275 1.29 | V |
| Threshold Voltage Line Regulation ($V_{CC} = 3.0\text{ V to } 40\text{ V}$) HT84064 HT83063 | Reg_{line} | - - | 1.4 1.4 | 5.0 6.0 | mV |
| Input Bias Current ($V_{in} = 0\text{ V}$) | I_{IB} | - | -20 | -400 | nA |
| TOTAL DEVICE | | | | | |
| Supply Current ($V_{CC} = 5.0\text{ V to } 40\text{ V}$, $C_T = 1.0\text{ nF}$, Pin 7 = V_{CC} , $V_{Pin 5} > V_{th}$, Pin 2 = GND, remaining pins open) | I_{CC} | - | - | 4.0 | mA |

Forced β of output switch : $I_C \text{ output} / I_C \text{ driver} - 7.0\text{ mA} * \geq 10$

* The 100 Ω resistor in the emitter of the driver device requires about 7.0 mA before the output switch conducts.


Figure 3. Oscillator Frequency

Figure 4. Timing Capacitor Waveform

Figure 5. Emitter Follower Configuration Output Saturation Voltage versus Emitter Current

Figure 6. Common Emitter Configuration Output Switch Saturation Voltage versus Collector Current

Figure 7. Current Limit Sense Voltage versus Temperature

Figure 8. Standby Supply Current versus Supply Voltage

7. Low duty cycle pulse techniques are used during test to maintain junction temperature as close to ambient temperature as possible.



| Test | Conditions | Results |
|------------------------------------|--|------------------------------|
| Line Regulation | $V_{in} = 8.0\text{ V to }16\text{ V}$, $I_O = 175\text{ mA}$ | $30\text{ mV} = \pm 0.05\%$ |
| Load Regulation | $V_{in} = 12\text{ V}$, $I_O = 75\text{ mA to }175\text{ mA}$ | $10\text{ mV} = \pm 0.017\%$ |
| Output Ripple | $V_{in} = 12\text{ V}$, $I_O = 175\text{ mA}$ | 400 mVpp |
| Efficiency | $V_{in} = 12\text{ V}$, $I_O = 175\text{ mA}$ | 87.7% |
| Output Ripple With Optional Filter | $V_{in} = 12\text{ V}$, $I_O = 175\text{ mA}$ | 40 mVpp |

Figure 9. Step-Up Converter

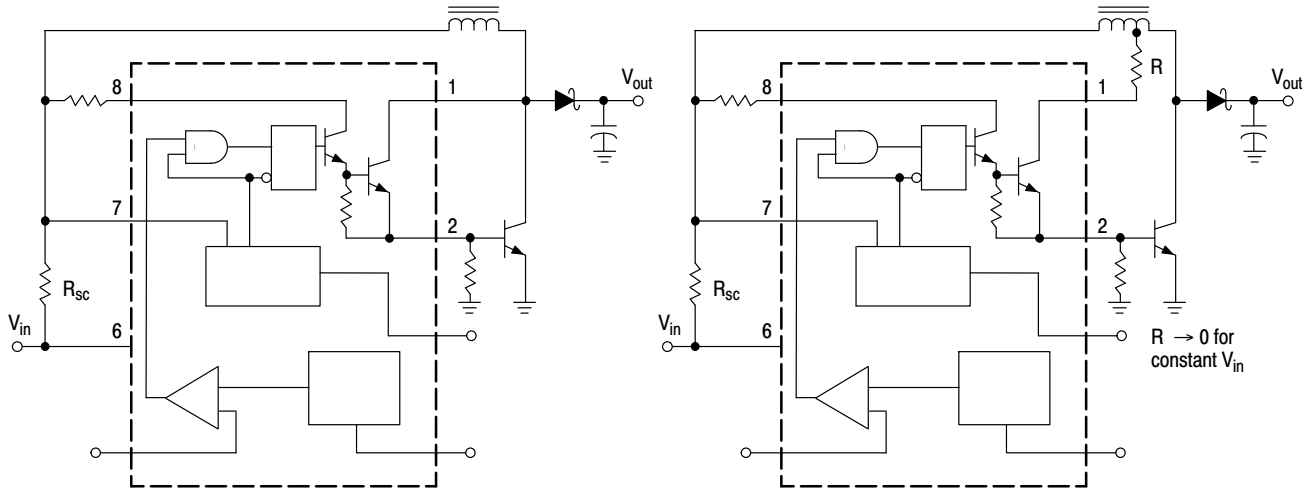


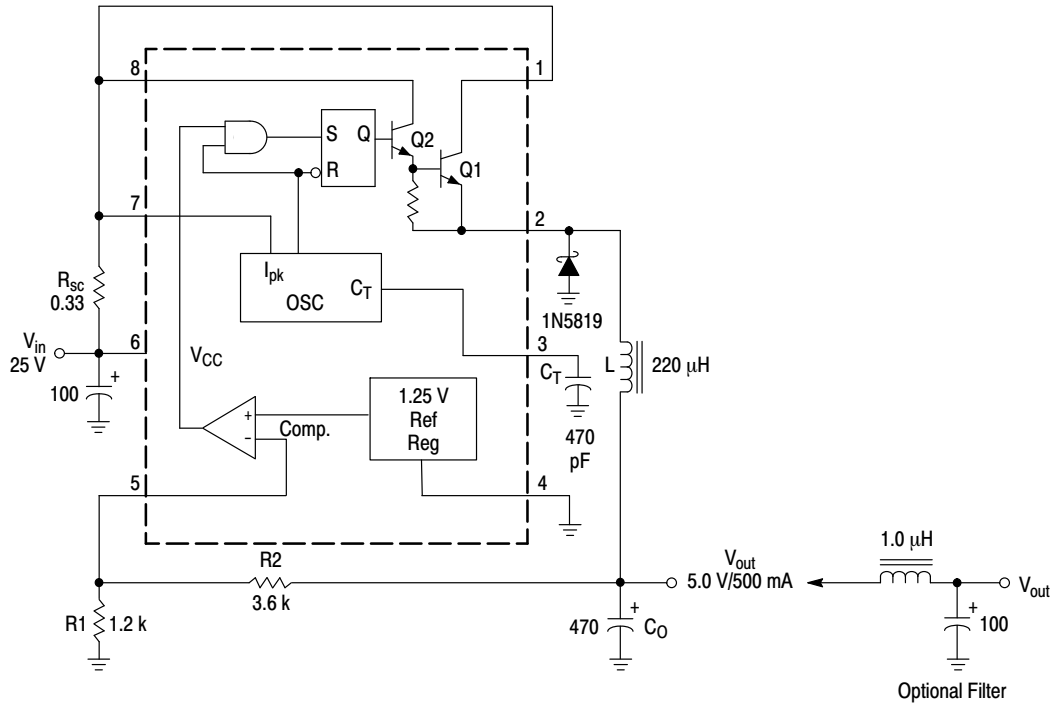
Figure 10. External Current Boost Connections for I_C Peak Greater than 1.5 A

9a. External NPN Switch

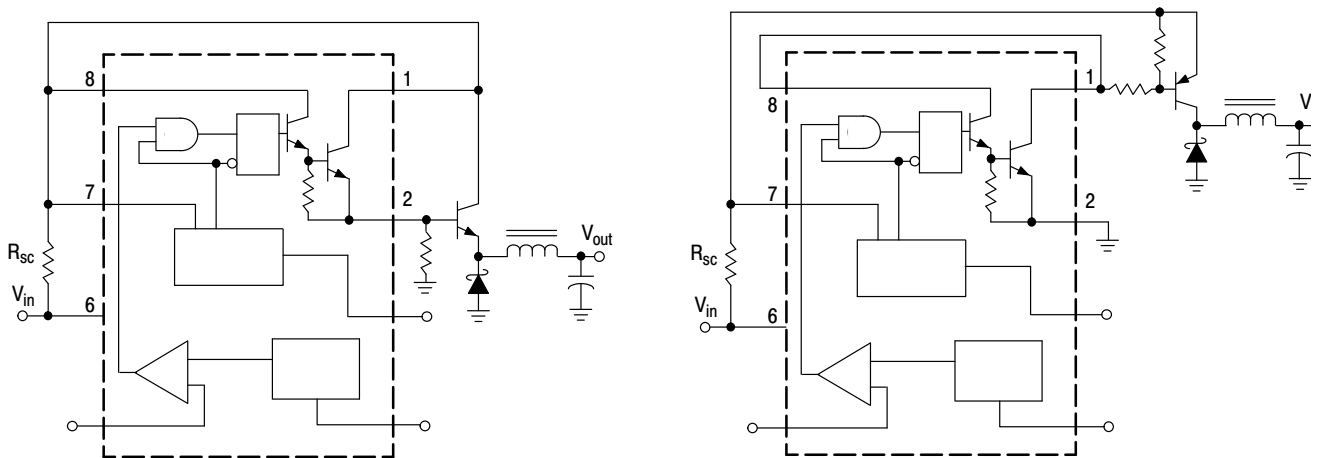
9b. External NPN Saturated Switch

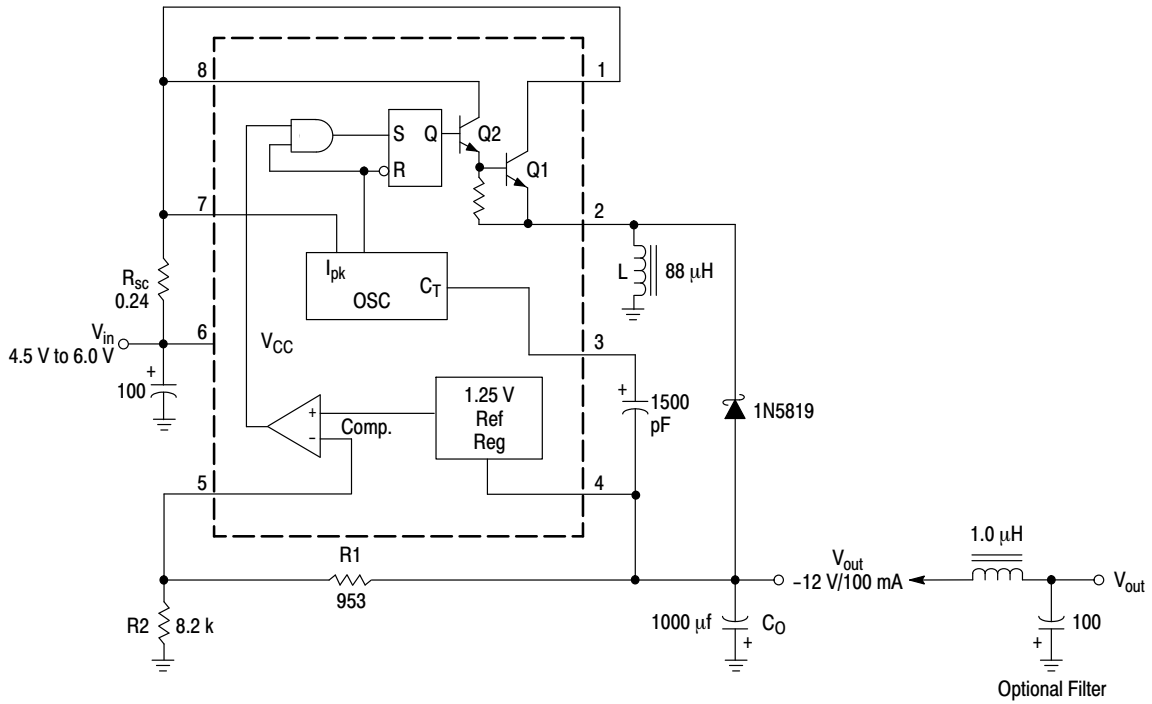
(See Note 8)

8. If the output switch is driven into hard saturation (non-Darlington configuration) at low switch currents (≤ 300 mA) and high driver currents (≥ 30 mA), it may take up to $2.0 \mu\text{s}$ to come out of saturation. This condition will shorten the off time at frequencies ≥ 30 kHz, and is magnified at high temperatures. This condition does not occur with a Darlington configuration, since the output switch cannot saturate. If a non-Darlington configuration is used, the following output drive condition is recommended.



| Test | Conditions | Results |
|------------------------------------|--|------------------------------|
| Line Regulation | $V_{in} = 15\text{ V to } 25\text{ V}, I_O = 500\text{ mA}$ | $12\text{ mV} = \pm 0.12\%$ |
| Load Regulation | $V_{in} = 25\text{ V}, I_O = 50\text{ mA to } 500\text{ mA}$ | $3.0\text{ mV} = \pm 0.03\%$ |
| Output Ripple | $V_{in} = 25\text{ V}, I_O = 500\text{ mA}$ | 120 mVpp |
| Short Circuit Current | $V_{in} = 25\text{ V}, R_L = 0.1\ \Omega$ | 1.1 A |
| Efficiency | $V_{in} = 25\text{ V}, I_O = 500\text{ mA}$ | 83.7% |
| Output Ripple With Optional Filter | $V_{in} = 25\text{ V}, I_O = 500\text{ mA}$ | 40 mVpp |

Figure 11. Step-Down Converter

Figure 12. External Current Boost Connections for I_C Peak Greater than 1.5 A
11a. External NPN Switch
11b. External PNP Saturated Switch



| Test | Conditions | Results |
|------------------------------------|---|--------------------------------|
| Line Regulation | $V_{in} = 4.5 \text{ V to } 6.0 \text{ V}$, $I_O = 100 \text{ mA}$ | $3.0 \text{ mV} = \pm 0.012\%$ |
| Load Regulation | $V_{in} = 5.0 \text{ V}$, $I_O = 10 \text{ mA to } 100 \text{ mA}$ | $0.022 \text{ V} = \pm 0.09\%$ |
| Output Ripple | $V_{in} = 5.0 \text{ V}$, $I_O = 100 \text{ mA}$ | 500 mVpp |
| Short Circuit Current | $V_{in} = 5.0 \text{ V}$, $R_L = 0.1 \Omega$ | 910 mA |
| Efficiency | $V_{in} = 5.0 \text{ V}$, $I_O = 100 \text{ mA}$ | 62.2% |
| Output Ripple With Optional Filter | $V_{in} = 5.0 \text{ V}$, $I_O = 100 \text{ mA}$ | 70 mVpp |

Figure 13. Voltage Inverting Converter

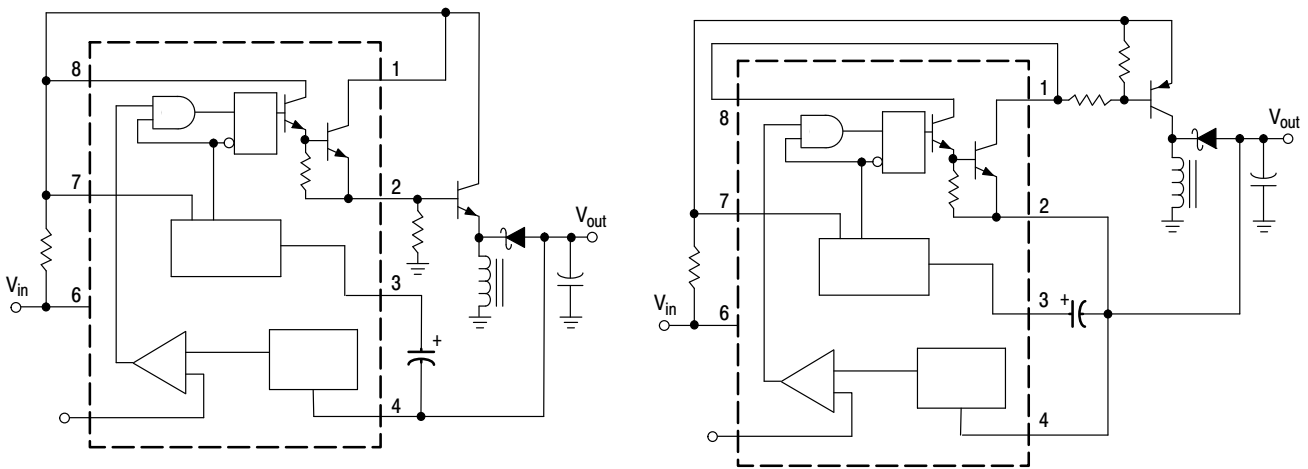


Figure 14. External Current Boost Connections for I_C Peak Greater than 1.5 A

13a. External NPN Switch

13b. External PNP Saturated Switch

| Calculation | Step-Up | Step-Down | Voltage-Inverting |
|----------------------|---|---|---|
| t_{on}/t_{off} | $\frac{V_{out} + V_F - V_{in(min)}}{V_{in(min)} - V_{sat}}$ | $\frac{V_{out} + V_F}{V_{in(min)} - V_{sat} - V_{out}}$ | $\frac{ V_{out} + V_F}{V_{in} - V_{sat}}$ |
| $(t_{on} + t_{off})$ | $\frac{1}{f}$ | $\frac{1}{f}$ | $\frac{1}{f}$ |
| t_{off} | $\frac{t_{on} + t_{off}}{\frac{t_{on}}{t_{off}} + 1}$ | $\frac{t_{on} + t_{off}}{\frac{t_{on}}{t_{off}} + 1}$ | $\frac{t_{on} + t_{off}}{\frac{t_{on}}{t_{off}} + 1}$ |
| t_{on} | $(t_{on} + t_{off}) - t_{off}$ | $(t_{on} + t_{off}) - t_{off}$ | $(t_{on} + t_{off}) - t_{off}$ |
| C_T | $4.0 \times 10^{-5} t_{on}$ | $4.0 \times 10^{-5} t_{on}$ | $4.0 \times 10^{-5} t_{on}$ |
| $I_{pk(switch)}$ | $2I_{out(max)} \left(\frac{t_{on}}{t_{off}} + 1 \right)$ | $2I_{out(max)}$ | $2I_{out(max)} \left(\frac{t_{on}}{t_{off}} + 1 \right)$ |
| R_{sc} | $0.3/I_{pk(switch)}$ | $0.3/I_{pk(switch)}$ | $0.3/I_{pk(switch)}$ |
| $L_{(min)}$ | $\left(\frac{V_{in(min)} - V_{sat}}{I_{pk(switch)}} \right) t_{on(max)}$ | $\left(\frac{V_{in(min)} - V_{sat} - V_{out}}{I_{pk(switch)}} \right) t_{on(max)}$ | $\left(\frac{V_{in(min)} - V_{sat}}{I_{pk(switch)}} \right) t_{on(max)}$ |
| C_O | $9 \frac{I_{out} t_{on}}{V_{ripple(pp)}}$ | $\frac{I_{pk(switch)} (t_{on} + t_{off})}{8V_{ripple(pp)}}$ | $9 \frac{I_{out} t_{on}}{V_{ripple(pp)}}$ |

V_{sat} = Saturation voltage of the output switch.
 V_F = Forward voltage drop of the output rectifier.

The following power supply characteristics must be chosen:

V_{in} – Nominal input voltage.

V_{out} – Desired output voltage, $|V_{out}| = 1.25 \left(1 + \frac{R2}{R1} \right)$

I_{out} – Desired output current.

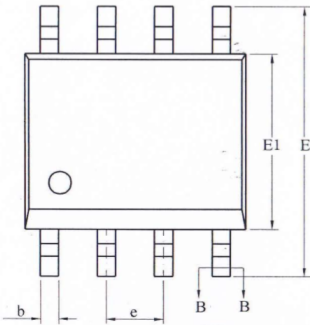
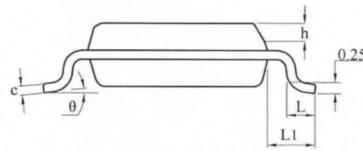
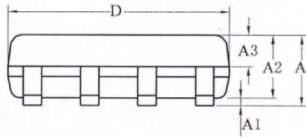
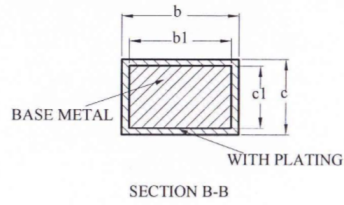
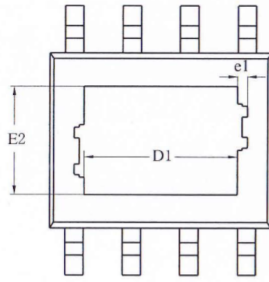
f_{min} – Minimum desired output switching frequency at the selected values of V_{in} and I_O .

$V_{ripple(pp)}$ – Desired peak-to-peak output ripple voltage. In practice, the calculated capacitor value will need to be increased due to its equivalent series resistance and board layout. The ripple voltage should be kept to a low value since it will directly affect the line and load regulation.

NOTE: For further information refer to Application Note AN920A/D and AN954/D.

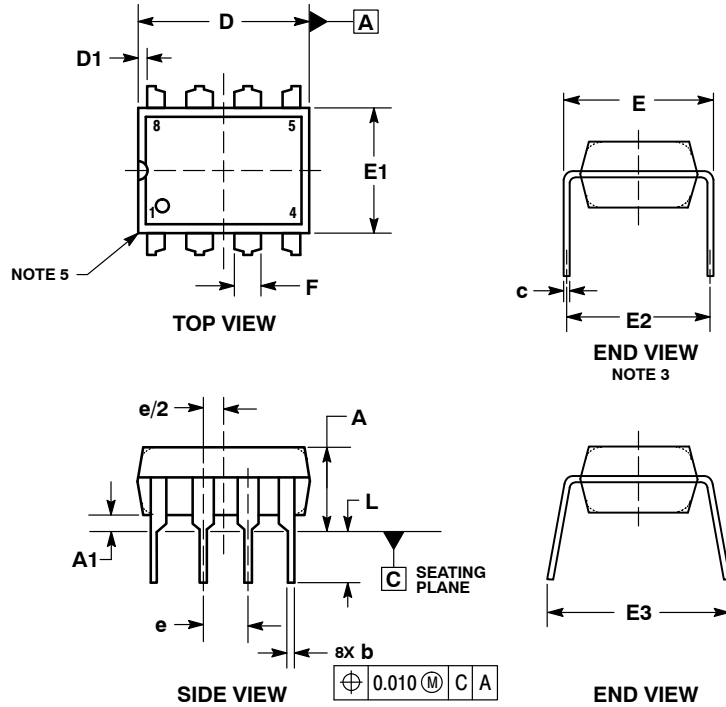
Figure 17. Design Formula Table

ESOP8



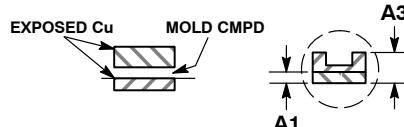
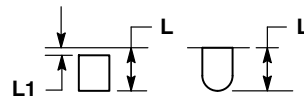
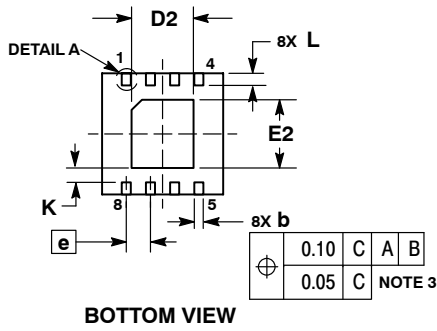
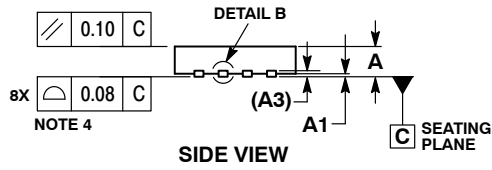
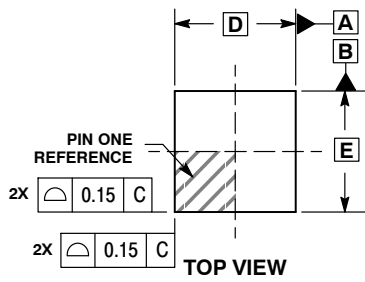
| SYMBOL | MILLIMETER | | |
|--------|------------|------|------|
| | MIN | NOM | MAX |
| A | — | — | 1.65 |
| A1 | 0.05 | — | 0.15 |
| A2 | 1.30 | 1.40 | 1.50 |
| A3 | 0.60 | 0.65 | 0.70 |
| b | 0.39 | — | 0.47 |
| b1 | 0.38 | 0.41 | 0.44 |
| c | 0.20 | — | 0.24 |
| c1 | 0.19 | 0.20 | 0.21 |
| D | 4.80 | 4.90 | 5.00 |
| E | 5.80 | 6.00 | 6.20 |
| E1 | 3.80 | 3.90 | 4.00 |
| e | 1.27BSC | | |
| h | 0.25 | — | 0.50 |
| L | 0.50 | 0.60 | 0.80 |
| L1 | 1.05REF | | |
| θ | 0 | — | 8° |

| Size (mil) | D1 | E2 | e1 |
|------------|---------|---------|---------|
| 90*90 | 2.09REF | 2.09REF | 0.16REF |
| 95*130 | 3.10REF | 2.21REF | 0.10REF |

DIP-8

NOTES:

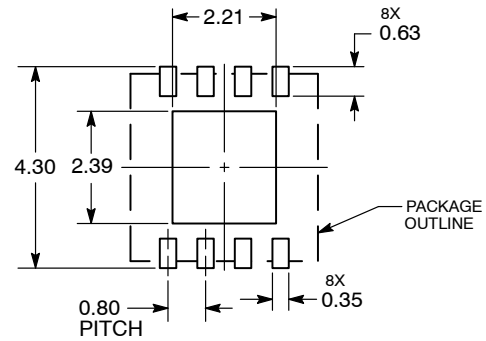
1. DIMENSIONING AND TOLERANCING PER ASME Y14.5M, 1994.
2. CONTROLLING DIMENSION: INCHES.
3. DIMENSION E IS MEASURED WITH THE LEADS RESTRAINED PARALLEL AT WIDTH E2.
4. DIMENSION E1 DOES NOT INCLUDE MOLD FLASH.
5. ROUNDED CORNERS OPTIONAL.

| DIM | INCHES | | | MILLIMETERS | | |
|-----|-----------|-------|-------|-------------|-------|-------|
| | MIN | NOM | MAX | MIN | NOM | MAX |
| A | ----- | ----- | 0.210 | ----- | ----- | 5.33 |
| A1 | 0.015 | ----- | ----- | 0.38 | ----- | ----- |
| b | 0.014 | 0.018 | 0.022 | 0.35 | 0.46 | 0.56 |
| C | 0.008 | 0.010 | 0.014 | 0.20 | 0.25 | 0.36 |
| D | 0.355 | 0.365 | 0.400 | 9.02 | 9.27 | 10.02 |
| D1 | 0.005 | ----- | ----- | 0.13 | ----- | ----- |
| E | 0.300 | 0.310 | 0.325 | 7.62 | 7.87 | 8.26 |
| E1 | 0.240 | 0.250 | 0.280 | 6.10 | 6.35 | 7.11 |
| E2 | 0.300 BSC | | | 7.62 BSC | | |
| E3 | ----- | ----- | 0.430 | ----- | ----- | 10.92 |
| e | 0.100 BSC | | | 2.54 BSC | | |
| L | 0.115 | 0.130 | 0.150 | 2.92 | 3.30 | 3.81 |

DFN8, 4x4

NOTES:

1. DIMENSIONS AND TOLERANCING PER ASME Y14.5M, 1994.
2. CONTROLLING DIMENSION: MILLIMETERS.
3. DIMENSION b APPLIES TO PLATED TERMINAL AND IS MEASURED BETWEEN 0.15 AND 0.30MM FROM TERMINAL TIP.
4. COPLANARITY APPLIES TO THE EXPOSED PAD AS WELL AS THE TERMINALS.
5. DETAILS A AND B SHOW OPTIONAL CONSTRUCTIONS FOR TERMINALS.

| MILLIMETERS | | |
|-------------|------|------|
| DIM | MIN | MAX |
| A | 0.80 | 1.00 |
| A1 | 0.00 | 0.05 |
| A3 | 0.20 | REF |
| b | 0.25 | 0.35 |
| D | 4.00 | BSC |
| D2 | 1.91 | 2.21 |
| E | 4.00 | BSC |
| E2 | 2.09 | 2.39 |
| e | 0.80 | BSC |
| K | 0.20 | --- |
| L | 0.30 | 0.50 |
| L1 | --- | 0.15 |

SOLDERING FOOTPRINT*


DIMENSIONS: MILLIMETERS