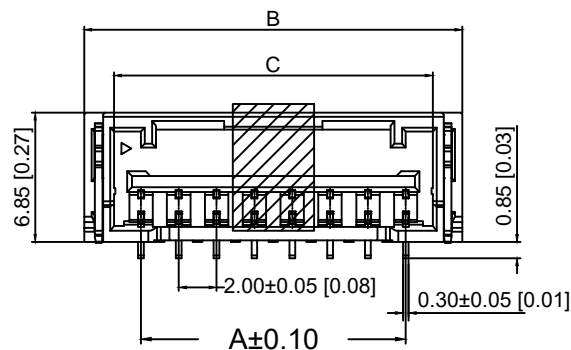
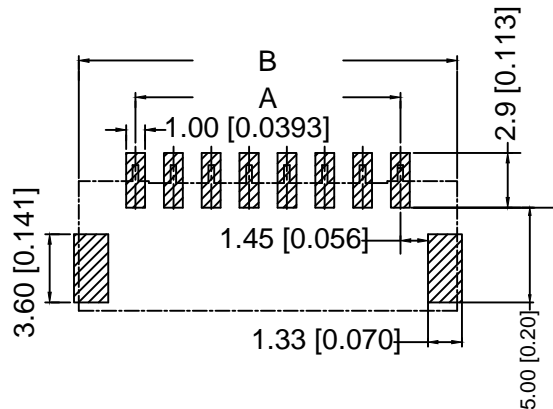
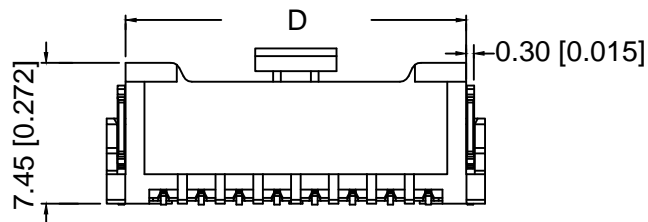
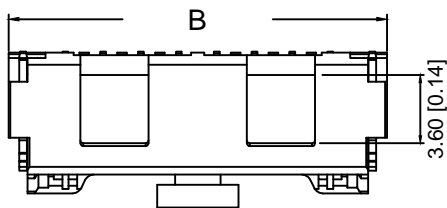


XKB



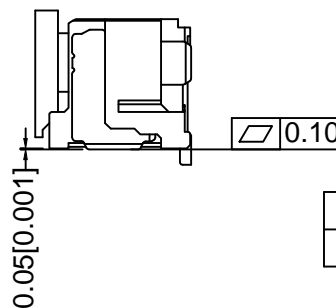
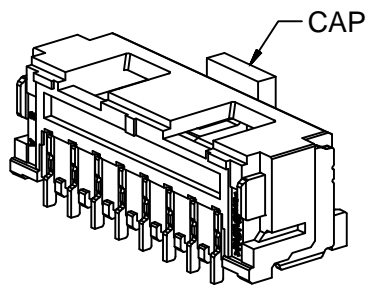
Specifications:

规格:  
 Voltage rating:250V AC/DC  
 额定电压: 250V AC/DC  
 Current rating:3A AC/DC  
 额定电流: 3A AC/DC  
 Withstanding voltage:800V AC/minute  
 耐受电压: 800V AC/分钟  
 Temperature range:-40℃~+105℃  
 温度范围: -40℃~+105℃  
 Insulation resistance:≥1000MΩ  
 绝缘电阻: ≥1000MΩ  
 Contact resistance:≤20mΩ  
 接触电阻: ≤20mΩ  
 After environmental testing:≤40mΩ  
 环境测试后: ≤40mΩ  
 HF-Halogen free  
 无卤

X2023 W V S-XX -9T SW  
 ① ② ③ ④ ⑤ ⑥ ⑦

- ① Series No.
- ② Category:W-WAFER
- ③ Welding Board Angle: V-180°
- ④ Welding Way:S-SMT
- ⑤ Row No.Pin No.: XX-02P-16P;
- ⑥ Material:9T -PA9T 94V-0
- ⑦ Plating Category: SW-Matte Tin

Recommended P.C.B LAYOUT  
 Genrd Tolerance±0.05



Poles	Dimension mm				Poles	Dimension mm			
	A	B	C	D		A	B	C	D
2	2.00	8.00	4.85	6.00	09	16.00	22.00	18.85	20.00
3	4.00	10.00	6.85	8.00	10	18.00	24.00	20.85	22.00
4	6.00	12.00	8.85	10.00	11	20.00	26.00	22.85	24.00
5	8.00	14.00	10.85	12.00	12	22.00	28.00	24.85	26.00
6	10.00	16.00	12.85	14.00	13	24.00	30.00	26.85	28.00
7	12.00	18.00	14.85	16.00	14	26.00	32.00	28.85	30.00
8	14.00	20.00	16.85	18.00	15	28.00	34.00	30.85	32.00

X2023WVS-XX-9TSW	PA9T UL 94V-0	Brass	Matte Tin	Phorphos Bronze	Matte Tin	X2023H
PART NO	Material	Material(Pin )	Finish(Pin)	Material (Solder Tabs)	Finish (Soder Tabs)	Mates With XKB Housing

			XKB		DSND	DATE	SCALE: N/A	MODEL TYPE: X2023WVS-XX-9TSW
ΔX			XKB	ANGLAR	DWN	DATE	VIEW:	PART NO.:
ΔX				L ≤ 4	CHKD	DATE	UNIT: mm/in	2.0 mm Crimp Style Connectors
ΔX				4 < L ≤ 16	APPD	DATE	SIZE: A4	DWG NO.:
MARK	DESCRIPTION	DATE	REVISED	APPROVED				
REVISIONS				UNSPECIFIED TOLERANCES		XKB INDUSTRIAL PRECISION CO.,LIMITED		
www.helloxkb.com						WEIGHT	SHEET	REVISION
							1/1	A0