

DLPC6540 High Resolution Controller

1 Features

- DLPC6540 controller supports up to 4K ultra high definition resolution using DLP471TP digital micromirror device (DMD)
 - Up to 4K UHD at 60 Hz
 - Up to 240 Hz at 1080p
 - Up to 120 Hz (3D) at 1080p
- Provides single V-by-One® HS video input port with one, two, four, or eight lanes
 - Pixel clock support up to 600 MHz
 - Input transmission rate up to 3.0 Gbps
- Input formats supported:
 - RGB and YCbCr
 - 4:4:4, 4:2:2, 4:2:0
- Internal Arm® Cortex®-R4F processor with FPU
 - 88 configurable GPIOs
 - Programmable PWM generator
 - Programmable capture and delay timers
 - USB 2.0 high-speed OTG controller
 - SPI master/slave controllers
 - I²C master/slave controllers
 - UART controllers
 - Interrupt controllers
- Warping engine
 - Improved 1D, 2D and 3D keystone correction
 - Optical correction (e.g. for short throw distortion, radial distortion, and lateral color distortion)
- Additional image processing
 - DynamicBlack
 - Frame rate conversion
 - Color coordinate adjustment
 - White color temperature adjustment
 - Programmable degamma
 - Spatial-temporal multiplexing
 - Integrated support for 3-D display
- Splash screen display and capture
- Integrated 2G-bit frame memory eliminates need for external high-speed memory
- External memory support
 - Parallel flash for µP and PWM sequences
 - Optional secondary flash for Splash Capture and Warping

- System control
 - DMD power and reset driver control
 - DMD horizontal and vertical image flip
- JTAG boundary scan test support
- Supports LED based projector systems

2 Applications

- Mobile smart TV
- Mobile projector
- Digital signage

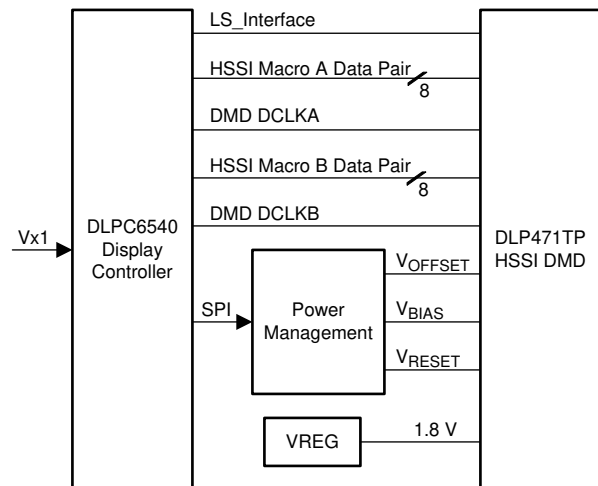
3 Description

The DLPC6540 is a digital display controller for the TI DLP® Products 4K UHD display chipset. The DLPC6540 display controller, together with the DLP471TP DMD and DLPA3005 comprise the chipset. This solution is fit for display systems that require high resolution and high brightness in a small form factor. To ensure reliable operation, the DLPC6540 display controller must always be used with the DLP471TP DMD and the DLPA3005 power management integrated circuit per application.

Device Information (1) (2)

PART NUMBER	PACKAGE	BODY SIZE (NOM)
DLPC6540ZDC	P-HBGA (676)	31.00 mm × 31.00 mm

- For all available packages, see the orderable addendum at the end of the data sheet.
- Includes embedded heat slug.



Typical Standalone System



Table of Contents

1 Features	1	6.14 DMD Low-Speed LVDS Timing Requirements.....	42
2 Applications	1	6.15 V-by-One Interface General Timing Requirements	43
3 Description	1	6.16 Source Frame Timing Requirements.....	44
4 Revision History	2	6.17 Synchronous Serial Port Interface Timing Requirements	45
5 Pin Configuration and Functions	3	6.18 Master and Slave I ² C Interface Timing Requirements	48
5.1 Pin Functions – Initialization, Board Level Test, and Debug.....	4	6.19 Programmable Output Clock Timing Requirements.....	48
5.2 Pin Functions – Analog Front End (Not Supported in DLPC6540)	6	6.20 JTAG Boundary Scan Interface Timing Requirements (Debug Only).....	49
5.3 Pin Functions – V-by-One Interface Input Data and Control	7	6.21 JTAG ARM Multi-Ice Interface Timing Requirements (Debug Only).....	50
5.4 Pin Functions – OpenLDI (FPD-Link I) (Not Supported in DLPC6540) Ports Input Data and Control	8	6.22 Multi-Trace ETM Interface Timing Requirements ..	51
5.5 Pin Functions – Parallel Port Input Data and Control (Not Supported in DLPC6540)	9	7 Detailed Description	52
5.6 Pin Functions – DMD Reset and Low Speed Interfaces.....	10	7.1 Overview.....	52
5.7 Pin Functions – DMD HSSI (High Speed Serial Interface).....	11	7.2 Functional Block Diagram.....	52
5.8 Pin Functions – Program Memory (FLASH) Interface.....	12	7.3 Feature Description.....	53
5.9 Pin Functions – Peripheral Interfaces.....	14	7.4 Device Operational Modes.....	71
5.10 Pin Functions – GPIO Peripheral Interface.....	15	8 Application and Implementation	72
5.11 Pin Functions – Clock and Support.....	23	8.1 Application Information.....	72
5.12 Pin Functions – Power and Ground.....	23	8.2 Typical Application.....	72
6 Specifications	26	9 Power Supply Recommendations	74
6.1 Absolute Maximum Ratings.....	26	9.1 Power Supply Management.....	74
6.2 ESD Ratings.....	26	9.2 Hot Plug Usage.....	74
6.3 Recommended Operating Conditions.....	27	9.3 Power Supplies for Unused Input Source Interfaces.....	74
6.4 Thermal Information.....	29	9.4 Power Supplies.....	74
6.5 Power Electrical Characteristics.....	30	10 Layout	75
6.6 Pin Electrical Characteristics.....	32	10.1 Layout Guidelines.....	75
6.7 DMD HSSI Electrical Characteristics.....	35	10.2 Thermal Considerations.....	87
6.8 DMD Low-Speed LVDS Electrical Characteristics... 35		11 Device and Documentation Support	88
6.9 V-by-One Interface Electrical Characteristics	36	11.1 Device Support.....	88
6.10 USB Electrical Characteristics	36	11.2 Trademarks.....	89
6.11 System Oscillator Timing Requirements.....	38	11.3 Electrostatic Discharge Caution.....	89
6.12 Power Supply and Reset Timing Requirements.....	39	11.4 Glossary.....	89
6.13 DMD HSSI Timing Requirements.....	42	12 Mechanical, Packaging, and Orderable Information	91

4 Revision History

NOTE: Page numbers for previous revisions may differ from page numbers in the current version.

Changes from Revision A (June 2020) to Revision B (August 2020)	Page
• Updated the numbering format for tables, figures and cross-references throughout the document.....	1

Changes from Revision * (May 2020) to Revision A (June 2020)	Page
• Changed document status from <i>Advance information</i> to <i>Production Data</i>	1

5 Pin Configuration and Functions

	1	2	3	4	5	6	7	8	9	10	11	12	13	14	15	16	17	18	19	20	21	22	23	24	25	26	27	28	29	30
A	●	○	○	○	○	○	○	○	○	○	○	○	○	○	○	○	○	○	○	○	○	○	○	○	○	○	○	○	○	○
B	○	○	○	○	○	○	○	○	○	○	○	○	○	○	○	○	○	○	○	○	○	○	○	○	○	○	○	○	○	○
C	○	○	○	○	○	○	○	○	○	○	○	○	○	○	○	○	○	○	○	○	○	○	○	○	○	○	○	○	○	○
D	○	○	○	○	○	○	○	○	○	○	○	○	○	○	○	○	○	○	○	○	○	○	○	○	○	○	○	○	○	○
E	○	○	○	○	○	○	○	○	○	○	○	○	○	○	○	○	○	○	○	○	○	○	○	○	○	○	○	○	○	○
F	○	○	○	○	○	○	○	○	○	○	○	○	○	○	○	○	○	○	○	○	○	○	○	○	○	○	○	○	○	○
G	○	○	○	○	○	○	○	○	○	○	○	○	○	○	○	○	○	○	○	○	○	○	○	○	○	○	○	○	○	○
H	○	○	○	○	○	○	○	○	○	○	○	○	○	○	○	○	○	○	○	○	○	○	○	○	○	○	○	○	○	○
J	○	○	○	○	○	○	○	○	○	○	○	○	○	○	○	○	○	○	○	○	○	○	○	○	○	○	○	○	○	○
K	○	○	○	○	○	○	○	○	○	○	○	○	○	○	○	○	○	○	○	○	○	○	○	○	○	○	○	○	○	○
L	○	○	○	○	○	○	○	○	○	○	○	○	○	○	○	○	○	○	○	○	○	○	○	○	○	○	○	○	○	○
M	○	○	○	○	○	○	○	○	○	○	○	○	○	○	○	○	○	○	○	○	○	○	○	○	○	○	○	○	○	○
N	○	○	○	○	○	○	○	○	○	○	○	○	○	○	○	○	○	○	○	○	○	○	○	○	○	○	○	○	○	○
P	○	○	○	○	○	○	○	○	○	○	○	○	○	○	○	○	○	○	○	○	○	○	○	○	○	○	○	○	○	○
R	○	○	○	○	○	○	○	○	○	○	○	○	○	○	○	○	○	○	○	○	○	○	○	○	○	○	○	○	○	○
T	○	○	○	○	○	○	○	○	○	○	○	○	○	○	○	○	○	○	○	○	○	○	○	○	○	○	○	○	○	○
U	○	○	○	○	○	○	○	○	○	○	○	○	○	○	○	○	○	○	○	○	○	○	○	○	○	○	○	○	○	○
V	○	○	○	○	○	○	○	○	○	○	○	○	○	○	○	○	○	○	○	○	○	○	○	○	○	○	○	○	○	○
W	○	○	○	○	○	○	○	○	○	○	○	○	○	○	○	○	○	○	○	○	○	○	○	○	○	○	○	○	○	○
Y	○	○	○	○	○	○	○	○	○	○	○	○	○	○	○	○	○	○	○	○	○	○	○	○	○	○	○	○	○	○
AA	○	○	○	○	○	○	○	○	○	○	○	○	○	○	○	○	○	○	○	○	○	○	○	○	○	○	○	○	○	○
AB	○	○	○	○	○	○	○	○	○	○	○	○	○	○	○	○	○	○	○	○	○	○	○	○	○	○	○	○	○	○
AC	○	○	○	○	○	○	○	○	○	○	○	○	○	○	○	○	○	○	○	○	○	○	○	○	○	○	○	○	○	○
AD	○	○	○	○	○	○	○	○	○	○	○	○	○	○	○	○	○	○	○	○	○	○	○	○	○	○	○	○	○	○
AE	○	○	○	○	○	○	○	○	○	○	○	○	○	○	○	○	○	○	○	○	○	○	○	○	○	○	○	○	○	○
AF	○	○	○	○	○	○	○	○	○	○	○	○	○	○	○	○	○	○	○	○	○	○	○	○	○	○	○	○	○	○
AG	○	○	○	○	○	○	○	○	○	○	○	○	○	○	○	○	○	○	○	○	○	○	○	○	○	○	○	○	○	○
AH	○	○	○	○	○	○	○	○	○	○	○	○	○	○	○	○	○	○	○	○	○	○	○	○	○	○	○	○	○	○
AJ	○	○	○	○	○	○	○	○	○	○	○	○	○	○	○	○	○	○	○	○	○	○	○	○	○	○	○	○	○	○
AK	○	○	○	○	○	○	○	○	○	○	○	○	○	○	○	○	○	○	○	○	○	○	○	○	○	○	○	○	○	○

Figure 5-1. ZDC Package 676-Pin PBGA Top View

5.1 Pin Functions – Initialization, Board Level Test, and Debug

PIN		I/O (1)	DESCRIPTION
NAME	NO.		
POSENSE	AE27	I ₈	Power-On Sense: Signal provided from external voltage monitoring circuit ('0' = All Controller supply voltages not at valid level, '1' = All Controller supply voltages have reached 90% specified minimum voltage) Drive this signal to inactive (low) after the falling edge of PWRGOOD as specified. See Section 6.12 for specific timing requirements as well as the required power up and power down sequence. This pin includes hysteresis
PWRGOOD	AG30	I ₈	Power Good: Signal provided from external power supply of voltage monitor A high value indicates all power is within operating voltage specifications and the system is safe to exit its reset state. A transition from high to low indicates that the Controller or DMD supply voltage will drop below its rated minimum level. This transition must occur prior to the supply voltage dropping per the timing specified, as this is an early warning of an imminent power loss condition. This warning is required to enhance long term DMD reliability. When PWRGOOD goes low for the specified minimum time, a DMD park and full Controller reset are performed, protecting the DMD. Note that both Controller and DMD supply voltages must be within operating voltage levels to successfully execute the DMD park. The minimum PWRGOOD de-assertion time is used to protect the system input from glitches. When PWRGOOD is low, the Controller is held in its reset state. See Section 6.12 for specific timing requirements as well as the required power up and power down sequence. This pin includes hysteresis
EXT_ARSTZ	AF29	O ₈	External Reset: General purpose reset output ('0' = Reset, '1' = Normal Operation) This output is asserted low immediately upon POSENSE being asserted low, and remains low while POSENSE remains low. This signal remains low after POSENSE is set high, until released by software. This signal is also asserted low approximately 5 μs after the detection of PWRGOOD going low, or any internally generated reset. In all cases, this signal remains active low for a minimum of 2ms. Note: this signal can also be independently driven via software register.
MTR_ARSTZ	AF27	O ₈	Color Wheel Motor Controller Reset: Color wheel motor controller reset output ('0' = Reset, '1' = Normal Operation) This output is asserted low immediately upon POSENSE being asserted low, and remains low while POSENSE remains low. This signal remains low after POSENSE is set high, until released by software. This signal is also asserted low approximately 5 μs after the detection of PWRGOOD going low, or any internally generated reset. In all cases, this signal remains active low for a minimum of 2ms. Note: this signal can also be independently driven via software register. The Controller contains a software register that can be used to disable the assertion of the motor reset upon a lamp strike reset.
TCK	AK19	I ₈	JTAG, ARM-ICE, and CPU MBIST Serial Data Clock. This signal is shared between JTAG, ARM-ICE (TI test only), and CPU MBIST (Manufacturing test only) operation Includes a weak internal pulldown.
TMS1	AH20	I ₈	JTAG Test Mode Select Includes weak internal pullup.
TMS2	AJ20	I ₈	ARM-ICE Test Mode Select For normal operation, this pin must be left open or unconnected. Includes a weak internal pullup.
TMS3	AK20	I ₈	CPU MBIST Test Mode Select For normal operation this pin must be left open or unconnected. Includes a weak internal pullup.
TRSTZ	AG21	I ₈	JTAG, ARM-ICE, and CPU MBIST Reset. This signal is shared between JTAG, ARM-ICE (TI test only), and CPU MBIST (Manufacturing test only) operation. <i>For normal operation, this pin must be pulled to ground through an external resistor with value 8 kΩ or less. Failure to pull this pin low during normal operation causes start-up and initialization problems.</i> For JTAG Boundary Scan, ARM-ICE Debug operation, or CPU MBIST, this pin must be pulled-up or left disconnected. Includes a weak internal pullup and Hysteresis.
TDI	AG20	I ₈	JTAG, ARM-ICE, and CPU MBIST: Serial Data In Includes weak internal pullup.
TDO1	AG19	O ₈	JTAG Serial Data Out.
TDO2	AH19	O ₈	ARM-ICE Serial Data Out For normal operation, this pin must be left open or unconnected.
TDO3	AJ19	O ₈	CPU MBIST Serial Data Out For normal operation, this pin must be left open or unconnected.

PIN		I/O (1)	DESCRIPTION
NAME	NO.		
ETM_TRACE CLK	C30	O ₈	TI internal use. Must be left unconnected. (Clock for Trace debug)
ETM_TRACE CTL	D30	O ₈	TI internal use. Must be left unconnected. (Control for Trace Debug)
ICTSEN	K26	I ₈	IC Tristate Enable (Active high) Asserting this signal transitions all outputs into tristate (except for the JTAG interface). Includes a weak internal pulldown, however, an external pulldown is recommended for added protection. Also includes hysteresis.
ICTSE	M26	I ₈	TI internal use. Includes a weak internal pulldown, however, an external pulldown is recommended for added protection. Also includes hysteresis.
TSTPT_0	E29	B ₈	Test pin 0 This pin requires an external pulldown or pullup resistor (depending on the desired debug output as noted below) with a value of $\leq 10\text{ k}\Omega$. Tri-stated while PWRGOOD is asserted low. It may be driven as an output for debug use as described in Section 7.3.7 .
TSTPT_1	E30	B ₈	Test pin 1 This pin requires an external pulldown or pullup resistor (depending on the desired debug output as noted below) with a value of $\leq 10\text{ k}\Omega$. Tri-stated while PWRGOOD is asserted low. It may be driven as an output for debug use as described in Section 7.3.7 .
TSTPT_2	F26	B ₈	Test pin 2 This pin requires an external pulldown or pullup resistor (depending on the desired debug output as noted below) with a value of $\leq 10\text{ k}\Omega$. Tri-stated while PWRGOOD is asserted low. It may be driven as an output for debug use as described in Section 7.3.7 .
TSTPT_3	F27	B ₈	Test pin 3 This pin requires an external pulldown or pullup resistor (depending on the desired debug output as noted below) with a value of $\leq 10\text{ k}\Omega$. Tri-stated while PWRGOOD is asserted low. It may be driven as an output for debug use as described in Section 7.3.7 .
TSTPT_4	F28	B ₈	Test pin 4 This pin requires an external pulldown resistor ($\leq 10\text{ k}\Omega$). Tri-stated while PWRGOOD is asserted low. It may be driven as an output for debug use as described in Section 7.3.7 .
TSTPT_5	F29	B ₈	Test pin 5 This pin requires an external pulldown resistor ($\leq 10\text{ k}\Omega$). Tri-stated while PWRGOOD is asserted low. It may be driven as an output for debug use as described in Section 7.3.7 .
TSTPT_6	G26	B ₈	Test pin 6 This pin requires an external pulldown resistor ($\leq 10\text{ k}\Omega$). Tri-stated while PWRGOOD is asserted low. It may be driven as an output for debug use as described in Section 7.3.7 .
TSTPT_7	G28	B ₈	Test pin 7 This pin requires an external pulldown resistor ($\leq 10\text{ k}\Omega$). Tri-stated while PWRGOOD is asserted low. It may be driven as an output for debug use as described in Section 7.3.7 .
HWTEST_EN	L26	I ₈	Manufacturing test enable signal. This signal must be connected directly to ground on the PCB for normal operation. Includes weak internal pulldown and hysteresis.

(1) See [Table 5-1](#) for more information on I/O definitions.

5.2 Pin Functions – Analog Front End (Not Supported in DLPC6540)

PIN		I/O (1)	DESCRIPTION
NAME	NO.		
AFE_ARSTZ	K2	O ₈	Reserved.
AFE_CLK	K3	O ₈	Reserved.
AFE_IRQ	K4	I ₈	Reserved.
ALF_VSYNC	K5	I ₈	Reserved.
ALF_HSYNC	J1	I ₈	Reserved.
ALF_CSYNC	J2	I ₈	Reserved.

(1) See [Table 5-1](#) for more information on I/O definitions.

5.3 Pin Functions – V-by-One Interface Input Data and Control

PIN		I/O (1)	DESCRIPTION ^{(2) (3)}
NAME	NO.		
VX1_DATA0_P	C18	I ₁	V-by-One interface data lanes.
VX1_DATA0_N	D18		
VX1_DATA1_P	A19		
VX1_DATA1_N	B19		
VX1_DATA2_P	C20		
VX1_DATA2_N	D20		
VX1_DATA3_P	A21		
VX1_DATA3_N	B21		
VX1_DATA4_P	C22		
VX1_DATA4_N	D22		
VX1_DATA5_P	A23		
VX1_DATA5_N	B23		
VX1_DATA6_P	C24		
VX1_DATA6_N	D24		
VX1_DATA7_P	A25		
VX1_DATA7_N	B25		
VX1_HTPDN	E17	O ₄	V-by-One interface hot plug detect (controller receiver pulls this signal low to indicate its presence to the transmitter) This signal is open drain at the controller output. A pullup resistor is required at the transmitter.
VX1_LOCKN	E19	O ₄	V-by-One interface clock detect lock (controller receiver pulls this signal low to indicate clock extraction lock to the transmitter) This signal is open drain at the controller output. A pullup resistor is required at the transmitter.
VX1_CM_CKREF0	E20	I ₁	V-by-One reserved: Tie these reserved pins to ground.
VX1_CM_CKREF1	E21		
VX1_CM_CKREF2	E23		
VX1_CM_CKREF3	E24		
VX1_CM_AMOUT0	F19	O ₁	V-by-One reserved: These pins are reserved and must remain unconnected
VX1_CM_AMOUT1	F21		
VX1_CM_AMOUT2	F22		
VX1_CM_AMOUT3	F23		

- (1) See [Table 5-1](#) for more information on I/O definitions.
- (2) The system supports 1 lane, 2 lane, 4 lane, or 8 lane operation, based on the bandwidth requirement of the input source. The inputs for any un-used data lanes must be left open.
- (3) The V-by-One port supports limited lane remapping to help optimize board layout. The details are described in [Section 7.3.3](#).

5.4 Pin Functions – OpenLDI (FPD-Link I) (Not Supported in DLPC6540) Ports Input Data and Control

PIN		I/O (1)	DESCRIPTION ^{(2) (3)}
NAME	NO.		
FPDA_CLK_P FPDA_CLK_N	H3 H4	I ₅	Reserved.
FPDA_DATAA_P FPDA_DATAA_N FPDA_DATAB_P FPDA_DATAB_N FPDA_DATAAC_P FPDA_DATAAC_N FPDA_DATAD_P FPDA_DATAD_N FPDA_DATAE_P FPDA_DATAE_N	G1 G2 F3 F4 E1 E2 D3 D4 C1 C2	I ₅	Reserved.
FPDB_CLK_P FPDB_CLK_N	A4 B4	I ₅	Reserved.
FPDB_DATAA_P FPDB_DATAA_N FPDB_DATAB_P FPDB_DATAB_N FPDB_DATAAC_P FPDB_DATAAC_N FPDB_DATAD_P FPDB_DATAD_N FPDB_DATAE_P FPDB_DATAE_N	C5 D5 A6 B6 C7 D7 A8 B8 C9 D9	I ₅	Reserved.
FPDC_CLK_P FPDC_CLK_N	A10 B10	I ₅	Reserved.
FPDC_DATAA_P FPDC_DATAA_N FPDC_DATAB_P FPDC_DATAB_N FPDC_DATAAC_P FPDC_DATAAC_N FPDC_DATAD_P FPDC_DATAD_N FPDC_DATAE_P FPDC_DATAE_N	C11 D11 A12 B12 C13 D13 A14 B14 C15 D15	I ₅	Reserved.

(1) See [Table 5-1](#) for more information on I/O definitions.

(2) Throughout this document the terms FPD and FPD-Link refer to OpenLDI (FPD-Link I).

(3) Tie the inputs for any un-used port(s) to ground, or pull to ground through an external resistor.

5.5 Pin Functions – Parallel Port Input Data and Control (Not Supported in DLPC6540)

PIN		I/O (1)	DESCRIPTION PARALLEL RGB MODE
NAME	NO.		
PCLK (FPDB_DATA_B_N)	B6	I ₆	Reserved.
VSYNC (FPDA_DATAE_P)	C1	I ₆	Reserved.
HSYNC (FPDA_DATAE_N)	C2	I ₆	Reserved.
DATEN (FPDB_DATAE_N)	D9	I ₆	Reserved. (2)
FIELD (FPDC_DATAE_P)	C15	I ₆	Reserved.
3D_REF (FPDC_DATAE_N)	D15	I ₆	Reserved.
PDATA_A0 (FPDA_CLK_P) PDATA_A1 (FPDA_CLK_N) PDATA_A2 (FPDA_DATAA_P) PDATA_A3 (FPDA_DATAA_N) PDATA_A4 (FPDA_DATA_B_P) PDATA_A5 (FPDA_DATA_B_N) PDATA_A6 (FPDA_DATA_C_P) PDATA_A7 (FPDA_DATA_C_N) PDATA_A8 (FPDA_DATA_D_P) PDATA_A9 (FPDA_DATA_D_N)	H3 H4 G1 G2 F3 F4 E1 E2 D3 D4	I ₆	Reserved.
PDATA_B0 (FPDB_CLK_P) PDATA_B1 (FPDB_CLK_N) PDATA_B2 (FPDB_DATAA_P) PDATA_B3 (FPDB_DATAA_N) PDATA_B4 (FPDB_DATA_B_P) PDATA_B5 (FPDB_DATA_C_P) PDATA_B6 (FPDB_DATA_C_N) PDATA_B7 (FPDB_DATA_D_P) PDATA_B8 (FPDB_DATA_D_N) PDATA_B9 (FPDB_DATAE_P)	A4 B4 C5 D5 A6 C7 D7 A8 B8 C9	I ₆	Reserved.
PDATA_C0 (FPDC_CLK_P) PDATA_C1 (FPDC_CLK_N) PDATA_C2 (FPDC_DATAA_P) PDATA_C3 (FPDC_DATAA_N) PDATA_C4 (FPDC_DATA_B_P) PDATA_C5 (FPDC_DATA_B_N) PDATA_C6 (FPDC_DATA_C_P) PDATA_C7 (FPDC_DATA_C_N) PDATA_C8 (FPDC_DATA_D_P) PDATA_C9 (FPDC_DATA_D_N)	A10 B10 C11 D11 A12 B12 C13 D13 A14 B14	I ₆	Reserved.

(1) See Table 5-1 for more information on I/O definitions.

(2) If the DATEN is not actively driven, then it must be pulled up to 3.3V with a weak pull up resistor (50k Ohm max).

5.6 Pin Functions – DMD Reset and Low Speed Interfaces

PIN		I/O (1)	DESCRIPTION
NAME	NO.		
DMD_LS0_CLK_P DMD_LS0_CLK_N	AH17 AG17	O ₂	DMD low speed differential interface, Port 0 Clock
DMD_LS0_WDATA_P DMD_LS0_WDATA_N	AK16 AJ16	O ₂	DMD low speed differential interface, Port 0 Write Data
DMD_LS1_CLK_P DMD_LS1_CLK_N	AH15 AG15	O ₂	DMD low speed differential interface, Port 1 Clock (2)
DMD_LS1_WDATA_P DMD_LS1_WDATA_N	AK14 AJ14	O ₂	DMD low speed differential interface, Port 1 Write Data (2)
DMD_LS0_RDATA	AH13	I ₃	DMD, low speed single ended serial interface, Port 0 Read Data (3)
DMD_LS1_RDATA	AG13	I ₃	DMD, low speed single ended serial interface, Port 1 Read Data (2) (3). If this port not used, this signal requires an external pullup or pulldown to keep this input from floating.
DMD_DEN_ARSTZ	AK12	O ₃	DMD driver enable signal / Active Low Asynchronous Reset ('1' = Enabled, '0' = Reset) This signal is driven low after the DMD is parked and before power is removed from the DMD. <i>If the 1.8-V power to the DLPC6540 is independent of the 1.8-V power to the DMD, then an external pulldown resistor must be used to hold the signal low in the event the DLPC6540 power is inactive while DMD power is applied.</i>

(1) See [Table 5-1](#) for more information on I/O definitions.

(2) DMD LS1 port is reserved for single controller, two DMD applications.

(3) All control interface reads make use of the single ended low speed signals. **The read data is clocked by the low speed differential write clock.**

5.7 Pin Functions – DMD HSSI (High Speed Serial Interface)

PIN ⁽¹⁾		I/O ⁽²⁾	DESCRIPTION
NAME	NO.		
DMD_HSSI0_CLK_P DMD_HSSI0_CLK_N	AK25 AJ25	O ₇	DMD high speed serial interface, Port 0 Clock Lane.
DMD_HSSI0_D0_P DMD_HSSI0_D0_N DMD_HSSI0_D1_P DMD_HSSI0_D1_N DMD_HSSI0_D2_P DMD_HSSI0_D2_N DMD_HSSI0_D3_P DMD_HSSI0_D3_N DMD_HSSI0_D4_P DMD_HSSI0_D4_N DMD_HSSI0_D5_P DMD_HSSI0_D5_N DMD_HSSI0_D6_P DMD_HSSI0_D6_N DMD_HSSI0_D7_P DMD_HSSI0_D7_N	AK29 AJ29 AH28 AG28 AK27 AJ27 AH26 AG26 AH24 AG24 AK23 AJ23 AH22 AG22 AK21 AJ21	O ₇	DMD high speed serial interface, Port 0 Data Lanes.
DMD_HSSI1_CLK_P DMD_HSSI1_CLK_N	AH7 AG7	O ₇	DMD high speed serial interface, Port 1 Clock Lane.
DMD_HSSI1_D0_P DMD_HSSI1_D0_N DMD_HSSI1_D1_P DMD_HSSI1_D1_N DMD_HSSI1_D2_P DMD_HSSI1_D2_N DMD_HSSI1_D3_P DMD_HSSI1_D3_N DMD_HSSI1_D4_P DMD_HSSI1_D4_N DMD_HSSI1_D5_P DMD_HSSI1_D5_N DMD_HSSI1_D6_P DMD_HSSI1_D6_N DMD_HSSI1_D7_P DMD_HSSI1_D7_N	AH11 AG11 AK10 AJ10 AH9 AG9 AK8 AJ8 AK6 AJ6 AH5 AG5 AK4 AJ4 AK2 AJ2	O ₇	DMD high speed serial interface, Port 1 Data Lanes.
HSSI_ATETEST	AJ12	O ₇	Manufacturing Test use only - Must be left open (i.e. unconnected)

- (1) A number of pin remapping options are available for the HSSI high speed channels to aid with optimizing board signal routing. See [Section 7.3.4](#) for information on these pin remapping options.
- (2) See [Table 5-1](#) for more information on I/O definitions.

5.8 Pin Functions – Program Memory (FLASH) Interface

PIN		I/O ⁽¹⁾	DESCRIPTION
NAME	NO.		
PM_CSZ_0	T27	O ₈	Chip select: Boot FLASH Only (Boot FLASH must use this chip select)
PM_CSZ_1	T28	O ₈	Chip select: Additional Peripheral Device
PM_CSZ_2	T29	O ₈	Chip select: Additional Peripheral Device
PM_ADDR_0	T30	O ₈	Address bit (LSB)
PM_ADDR_1	U26	O ₈	Address bit
PM_ADDR_2	U27	O ₈	Address bit
PM_ADDR_3	U29	O ₈	Address bit
PM_ADDR_4	U30	O ₈	Address bit
PM_ADDR_5	V29	O ₈	Address bit
PM_ADDR_6	V28	O ₈	Address bit
PM_ADDR_7	V27	O ₈	Address bit
PM_ADDR_8	V26	O ₈	Address bit
PM_ADDR_9	W30	O ₈	Address bit
PM_ADDR_10	W29	O ₈	Address bit
PM_ADDR_11	W28	O ₈	Address bit
PM_ADDR_12	W26	O ₈	Address bit
PM_ADDR_13	Y30	O ₈	Address bit
PM_ADDR_14	Y29	O ₈	Address bit
PM_ADDR_15	Y28	O ₈	Address bit
PM_ADDR_16	Y27	O ₈	Address bit
PM_ADDR_17	Y26	O ₈	Address bit
PM_ADDR_18	AA30	O ₈	Address bit
PM_ADDR_19	AA29	O ₈	Address bit
PM_ADDR_20	AA27	O ₈	Address bit
PM_ADDR_21	AA26	O ₈	Address bit
PM_ADDR_22	AB29	O ₈	Address bit
PM_ADDR_23 (GPIO_47)	AB28	B ₈	Address bit (MSB) ⁽²⁾
PM_WEZ	R28	O ₈	Write Enable (active low)
PM_OEZ	R29	O ₈	Output Enable (active low)
PM_BLSZ_0	R30	O ₈	Lower Byte (7:0) Enable (active low) - only applicable to devices using PM_CSZ_1 or PM_CSZ_2
PM_BLSZ_1	T26	O ₈	Upper Byte (15:8) Enable (active low) - only applicable to devices using PM_CSZ_1 or PM_CSZ_2
PM_Data_0	L29	B ₈	Data bit
PM_Data_1	L30	B ₈	Data bit
PM_Data_2	L28	B ₈	Data bit
PM_Data_3	M27	B ₈	Data bit
PM_Data_4	M28	B ₈	Data bit
PM_Data_5	M29	B ₈	Data bit
PM_Data_6	M30	B ₈	Data bit
PM_Data_7	N26	B ₈	Data bit
PM_Data_8	N27	B ₈	Data bit
PM_Data_9	N29	B ₈	Data bit
PM_Data_10	N30	B ₈	Data bit

PIN		I/O ⁽¹⁾	DESCRIPTION
NAME	NO.		
PM_Data_11	P26	B ₈	Data bit
PM_Data_12	P27	B ₈	Data bit
PM_Data_13	P28	B ₈	Data bit
PM_Data_14	P29	B ₈	Data bit
PM_Data_15	R26	B ₈	Data bit

- (1) See [Table 5-1](#) for more information on I/O definitions.
- (2) The Program Memory address bus can be extended by one bit to 24 bits by making use of GPIO_47. Add an external pulldown resistor when this GPIO is configured for this purpose.

5.9 Pin Functions – Peripheral Interfaces

PIN		I/O (1)	DESCRIPTION
NAME	NO.		
IIC0_SCL	E27	B ₁₃	I ² C Port 0 (Master-Slave), Typically slave for Host Command and Control to Controller, SCL (bidirectional, open-drain): An external pullup is required. The minimum acceptable value for this pullup is 1KΩ .
IIC0_SDA	D29	B ₁₃	I ² C Port 0 (Master-Slave), Typically slave for Host Command and Control to Controller, SDA. (bidirectional, open-drain): An external pullup is required. The minimum acceptable value for this pullup is 1KΩ
SSP0_TXD	AD27	O ₈	SSP/SPI Port 0 Data Out (Master): Transmit data pin
SSP0_RXD	AD29	I ₈	SSP/SPI Port 0 Data In (Master): Receive data pin
SSP0_CLK	AD28	O ₈	SSP/SPI Port 0 Clock (Master): Clock pin
SSP0_CSZ_2	AC28	O ₈	SPI Port 0 chip select 2 (Master): Chip select (Active Low) An external pullup resistor (≤ 10 kΩ) is suggested to avoid a floating chip select input to the external device
SSP0_CSZ_1	AC26	O ₈	SPI Port 0 chip select 1 (Master): Chip select (Active Low) An external pullup resistor (≤ 10 kΩ) is suggested to avoid a floating chip select input to the external device
SSP0_CSZ_0	AB27	O ₈	SPI Port 0 chip select 0 (Master): Chip select (Active Low) An external pullup resistor (≤ 10 kΩ) is suggested to avoid a floating chip select input to the external device
UART0_TXD	P4	O ₈	UART Port 0 (Slave): Serial Data Transmit This UART port is reserved for TI debug. An external pullup resistor (≤ 10 kΩ) is required
UART0_RXD	P5	I ₈	UART Port 0 (Slave): Serial Data Receive This UART port is reserved for TI debug. An external pullup resistor (≤ 10 kΩ) is required
UART0_RTSZ	N2	O ₈	UART Port 0 (Slave): Ready To Send (Hardware flow control signal (Active Low)) This UART port is reserved for TI debug. An external pullup resistor (≤ 10 kΩ) is required
UART0_CTSZ	N3	I ₈	UART Port 0 (Slave): Clear to Send (Hardware flow control signal (Active Low)) This UART port is reserved for TI debug. An external pullup resistor (≤ 10 kΩ) is required
USB_DAT_P USB_DAT_N	B27 A27	B ₁₁	USB OTG Data Lane (Master-Slave)
USB_VBUS	D26	B ₁₁	USB OTG 5V Power Supply Detection (Master-Slave)
USB_ID	C27	I _{Other}	USB OTG Mini Receptacle Identification (Master-Slave)
USB_TXRTUNE	C26	B _{GND}	USB OTG Reference Resistor An external reference resistor must be connected as shown in Section 10.1.6
USB_XI	A29	I _{GND}	USB OTG External Oscillator XI - Not used (clock provided internally) For normal operation this pin must be connected to GND.
USB_XO	B29	B _{GND}	USB OTG External Oscillator XO - Not used (clock provided internally) For normal operation this pin must be left open (unconnected).
USB_ANALOGTEST	C28	B _{Other}	USB OTG Manufacturing Test This pin must be left open (unconnected)
PMD_INTZ	AD26	I ₈	Reserved Function. This signal requires an external pullup.
CW_PWM	AE30	O ₈	Reserved Function.
CW_INDEX	AE29	I ₈	Reserved Function.

(1) See [Table 5-1](#) for more information on I/O definitions.

5.10 Pin Functions – GPIO Peripheral Interface

PIN		I/O (1)	DESCRIPTION (2) (3) (4)
NAME	NO.		
GPIO_87	K1	B ₈	General purpose I/O 87: Options: 1. Alt 0: Reserved 2. Alt 1: DAO_CLKIN (I) 3. Optional GPIO
GPIO_86	L5	B ₈	General purpose I/O 86: Options: 1. Alt 0: Reserved 2. Alt 1: DAO_DI_1 (I) 3. Optional GPIO
GPIO_85	L4	B ₈	General purpose I/O 85: Options: 1. Alt 0: Reserved 2. Alt 1: DAO_DI_0 (I) 3. Optional GPIO
GPIO_84	L3	B ₈	General purpose I/O 84: Options: 1. Alt 0: Reserved 2. Alt 1: HBT_CLKIN_2 (I) 3. Optional GPIO
GPIO_83	L2	B ₈	General purpose I/O 83: Options: 1. Alt 0: Reserved 2. Alt 1: HBT_DI_2 (I) 3. Optional GPIO
GPIO_82	M5	B ₈	General purpose I/O 82: Options: 1. Alt 0: Reserved 2. Alt 1: HBT_CLKIN_1 (I) 3. Optional GPIO
GPIO_81	M4	B ₈	General purpose I/O 81: Options: 1. Alt 0: Reserved 2. Alt 1: HBT_DI_1 (I) 3. Optional GPIO
GPIO_80	M2	B ₈	General purpose I/O 80: Options: 1. Alt 0: Reserved 2. Alt 1: HBT_CLKIN_0 (I) 3. Optional GPIO
GPIO_79	M1	B ₈	General purpose I/O 79: Options: 1. Alt 0: Reserved 2. Alt 1: HBT_DI_0 (I) 3. Optional GPIO
GPIO_78	N5	B ₈	General purpose I/O 78: Options: 1. Alt 0: Reserved 2. Alt 1: SEQ_SYNC (B/ OpenDrain) 3. Optional GPIO
GPIO_77	N4	B ₈	General purpose I/O 77: Options: 1. Alt 0: Reserved 2. Alt 1: EFSYNC (O)/ DASYNC (I) 3. Optional GPIO

DLPC6540

DLPS168B – MAY 2020 – REVISED AUGUST 2020

PIN		I/O (1)	DESCRIPTION (2) (3) (4)
NAME	NO.		
GPIO_76	AD5	B ₈	General purpose I/O 76: Options: 1. Alt 0: AWC1_DACD_PWMB_1 (O) 2. Alt 1: N/A 3. Optional GPIO
GPIO_75	AC1	B ₈	General purpose I/O 75: Options: 1. Alt 0: AWC1_DACS_PWMA_1 (O) 2. Alt 1: N/A 3. Optional GPIO
GPIO_74	AC2	B ₈	General purpose I/O 74: Options: 1. Alt 0: AWC1_DACD_PWMB_0 (O) 2. Alt 1: N/A 3. Optional GPIO
GPIO_73	AC4	B ₈	General purpose I/O 73: Options: 1. Alt 0: AWC1_DACS_PWMA_0 (O) 2. Alt 1: N/A 3. Optional GPIO
GPIO_72	AC5	B ₈	General purpose I/O 72: Options: 1. Alt 0: AWC1_DACCLK_0_1 (O) 2. Alt 1: N/A 3. Optional GPIO
GPIO_71	AD1	B ₈	General purpose I/O 71: Options: 1. Alt 0: AWC1_OUT_ENZ (O) 2. Alt 1: N/A 3. Optional GPIO
GPIO_70	AD2	B ₈	General purpose I/O 70: Options: 1. Alt 0: AWC0_DACD_PWMB_1 (O) 2. Alt 1: N/A 3. Optional GPIO
GPIO_69	AD3	B ₈	General purpose I/O 69: Options: 1. Alt 0: AWC0_DACS_PWMA_1 (O) 2. Alt 1: MEMAUX_1 (O) (#2) 3. Optional GPIO
GPIO_68	AD4	B ₈	General purpose I/O 68: Options: 1. Alt 0: AWC0_DACD_PWMB_0 (O) 2. Alt 1: IIC2_SDA (B) (#3) 3. Optional GPIO
GPIO_67	AF4	B ₈	General purpose I/O 67: Options: 1. Alt 0: AWC0_DACS_PWMA_0 (O) 2. Alt 1: IIC2_SCL (B) (#3) 3. Optional GPIO
GPIO_66	AE2	B ₈	General purpose I/O 66: Options: 1. Alt 0: AWC0_DACCLK_0_1 (O) 2. Alt 1: N/A 3. Optional GPIO
GPIO_65	AE3	B ₈	General purpose I/O 65: Options: 1. Alt 0: AWC0_OUT_ENZ (O) 2. Alt 1: N/A 3. Optional GPIO

PIN		I/O (1)	DESCRIPTION (2) (3) (4)
NAME	NO.		
GPIO_64	AE4	B ₈	General purpose I/O 64: Options: 1. Alt 0: OCLKB (O) 2. Alt 1: N/A 3. Optional GPIO
GPIO_63	AG2	B ₈	General purpose I/O 63: Options: 1. Alt 0: Reserved 2. Alt 1: OCLKD (O) (#2) 3. Optional GPIO
GPIO_62	AG3	B ₈	General purpose I/O 62: Options: 1. Alt 0: Reserved 2. Alt 1: N/A 3. Optional GPIO
GPIO_61	AF1	B ₈	General purpose I/O 61: Options: 1. Alt 0: Reserved 2. Alt 1: N/A 3. Optional GPIO
GPIO_60	AF2	B ₈	General purpose I/O 60: Options: 1. Alt 0: Reserved 2. Alt 1: UART2_RXD (I) (#2) 3. Optional GPIO
GPIO_59	AG1	B ₈	General purpose I/O 59: Options: 1. Alt 0: Reserved 2. Alt 1: UART2_TXD (O) (#2) 3. Optional GPIO
GPIO_58	V1	B ₈	General purpose I/O 58: Options: 1. Alt 0: Reserved 2. Alt 1: ALF_COAST (O) 3. Optional GPIO
GPIO_57	V2	B ₈	General purpose I/O 57: Options: 1. Alt 0: Reserved 2. Alt 1: N/A 3. Optional GPIO
GPIO_56	W2	B ₈	General purpose I/O 56: Options: 1. Alt 0: Reserved 2. Alt 1: N/A 3. Optional GPIO
GPIO_55	K29	B ₈	General purpose I/O 55: Options: 1. Alt 0: Reserved 2. Alt 1: ALF_CLAMP (O) 3. Optional GPIO
GPIO_54	K28	B ₈	General purpose I/O 54: Options: 1. Alt 0: Reserved 2. Alt 1: N/A 3. Optional GPIO
GPIO_53	W3	B ₈	General purpose I/O 53: Options: 1. Alt 0: Reserved 2. Alt 1: LED_DRIVER_ON (O) 3. Optional GPIO

PIN		I/O (1)	DESCRIPTION (2) (3) (4)
NAME	NO.		
GPIO_52	W4	B ₈	General purpose I/O 52: Options: 1. Alt 0: Reserved 2. Alt 1: N/A 3. Optional GPIO
GPIO_51	V5	B ₈	General purpose I/O 51: Options: 1. Alt 0: Reserved 2. Alt 1: DMD_PWR_EN (O) 3. Optional GPIO
GPIO_50	AC29	B ₈	General purpose I/O 50: Options: 1. Alt 0: SSP0_CSZ_3 (O) 2. Alt 1: N/A 3. Optional GPIO
GPIO_49	AC30	B ₈	General purpose I/O 49: Options: 1. Alt 0: SSP0_CSZ_4 (O) 2. Alt 1: N/A 3. Optional GPIO
GPIO_48	AB26	B ₈	General purpose I/O 48: Options: 1. Alt 0: USB OTG External USB Switch Control (O) 2. Alt 1: N/A 3. Optional GPIO
GPIO_47	AB28	B ₈	General purpose I/O 47: Options: 1. Alt 0: PM_ADDR_23 (O) 2. Alt 1: N/A 3. Optional GPIO
GPIO_46	K27	B ₈	General purpose I/O 46: Options: 1. Alt 0: Reserved 2. Alt 1: SSP2_BC_CSZ (O-MST/I-SLV) 3. Optional GPIO
GPIO_45	J30	B ₈	General purpose I/O 45: Options: 1. Alt 0: Reserved 2. Alt 1: SSP2_CSZ_2 (O-MST/I-SLV) 3. Optional GPIO
GPIO_44	J29	B ₈	General purpose I/O 44: Options: 1. Alt 0: OCLKC (O) (#1) 2. Alt 1: SSP2_CSZ_1 (O-MST/I-SLV) 3. Optional GPIO
GPIO_43	J27	B ₈	General purpose I/O 43: Options: 1. Alt 0: OCLKD (O) (#1) 2. Alt 1: SSP2_CSZ_0 (O-MST/I-SLV) 3. Optional GPIO
GPIO_42	J26	B ₈	General purpose I/O 42: Options: 1. Alt 0: IIC2_SDA (B) (#1) 2. Alt 1: SSP2_DO (O) 3. Optional GPIO
GPIO_41	H30	B ₈	General purpose I/O 41: Options: 1. Alt 0: IIC2_SCL (B) (#1) 2. Alt 1: SSP2_DI (I) 3. Optional GPIO

PIN		I/O (1)	DESCRIPTION (2) (3) (4)
NAME	NO.		
GPIO_40	H29	B ₈	General purpose I/O 40: Options: 1. Alt 0: MEMAUX_1 (O) (#1) 2. Alt 1: SSP2_SCLK (O-MST/I-SLV) 3. Optional GPIO
GPIO_39	H28	B ₈	General purpose I/O 39: Options: 1. Alt 0: UART2_RXD (I) (#1) 2. Alt 1: HBT_CLKOUT (O) 3. Optional GPIO
GPIO_38	H27	B ₈	General purpose I/O 38: Options: 1. Alt 0: UART2_TXD (O) (#1) 2. Alt 1: HBT_DO (O) 3. Optional GPIO
GPIO_37	H26	B ₈	General purpose I/O 37: Options: 1. Alt 0: Reserved 2. Alt 1: DAO_CLKOUT (O) 3. Optional GPIO
GPIO_36	G30	B ₈	General purpose I/O 36: Options: 1. Alt 0: Reserved 2. Alt 1: DAO_DO_1 (O) 3. Optional GPIO
GPIO_35	G29	B ₈	General purpose I/O 35: Options: 1. Alt 0: OCLKC (O) (#2) 2. Alt 1: DAO_DO_0 (O) 3. Optional GPIO
GPIO_34	Y1	B ₈	General purpose I/O 34: Options: 1. Alt 0: WRP_CAMERA_TRIG (O) 2. Alt 1: N/A 3. Optional GPIO
GPIO_33	Y2	B ₈	General purpose I/O 33: Options: 1. Alt 0: PAUX11 (O) 2. Alt 1: IIC2_SDA (B) (#2) 3. Optional GPIO
GPIO_32	Y4	B ₈	General purpose I/O 32: Options: 1. Alt 0: PAUX10 (O) 2. Alt 1: IIC2_SCL (B) (#2) 3. Optional GPIO
GPIO_31	Y5	B ₈	General purpose I/O 31: Options: 1. Alt 0: PAUX9 (O) 2. Alt 1: PAUX_INT3 (O) 3. Optional GPIO
GPIO_30	AA1	B ₈	General purpose I/O 30: Options: 1. Alt 0: PAUX8 (O) 2. Alt 1: PAUX_INT2 (O) 3. Optional GPIO
GPIO_29	AA2	B ₈	General purpose I/O 29: Options: 1. Alt 0: PAUX7 (O) 2. Alt 1: N/A 3. Optional GPIO

PIN		I/O (1)	DESCRIPTION (2) (3) (4)
NAME	NO.		
GPIO_28	AA3	B ₈	General purpose I/O 28: Options: 1. Alt 0: PAUX6 (O) 2. Alt 1: LEDSEL_4 (O) 3. Optional GPIO
GPIO_27	AA4	B ₈	General purpose I/O 27: Options: 1. Alt 0: PAUX5 (O) 2. Alt 1: LEDSEL_3 (O) 3. Optional GPIO
GPIO_26	AA5	B ₈	General purpose I/O 26: Options: 1. Alt 0: PAUX4 (O) 2. Alt 1: LEDSEL_2 (O) 3. Optional GPIO
GPIO_25	AB2	B ₈	General purpose I/O 25: Options: 1. Alt 0: PAUX3 (O) 2. Alt 1: LEDSEL_1 (O) 3. Optional GPIO
GPIO_24	AB3	B ₈	General purpose I/O 24: Options: 1. Alt 0: PAUX2 (O) 2. Alt 1: LEDSEL_0 (O) 3. Optional GPIO
GPIO_23	AB4	B ₈	General purpose I/O 23: Options: 1. Alt 0: PAUX1 (O) {SEQ Index} 2. Alt 1: PAUX_INT1 (O) 3. Optional GPIO
GPIO_22	AB5	B ₈	General purpose I/O 22: Options: 1. Alt 0: PAUX0 (O) 2. Alt 1: PAUX_INT0 (O) 3. Optional GPIO
GPIO_21	P3	B ₈	General purpose I/O 21: Options: 1. Alt 0: PWM-IN1 (I) 2. Alt 1: N/A 3. Optional GPIO
GPIO_20	P2	B ₈	General purpose I/O 20: Options: 1. Alt 0: PWM-IN0 (I) 2. Alt 1: N/A 3. Optional GPIO
GPIO_19	P1	B ₈	General purpose I/O 19: Options: 1. Alt 0: IR1 (I) 2. Alt 1: N/A 3. Optional GPIO
GPIO_18	R5	B ₈	General purpose I/O 18: Options: 1. Alt 0: IR0 (I) 2. Alt 1: N/A 3. Optional GPIO
GPIO_17	R4	B ₈	General purpose I/O 17: Options: 1. Alt 0: N/A 2. Alt 1: N/A 3. Optional GPIO

PIN		I/O (1)	DESCRIPTION (2) (3) (4)
NAME	NO.		
GPIO_16	R2	B ₈	General purpose I/O 16: Options: 1. Alt 0: UART1_RTSZ (O) 2. Alt 1: N/A 3. Optional GPIO
GPIO_15	R1	B ₈	General purpose I/O 15: Options: 1. Alt 0: UART1_CTSZ (I) 2. Alt 1: N/A 3. Optional GPIO
GPIO_14	T3	B ₈	General purpose I/O 14: Options: 1. Alt 0: UART1_RXD (I) 2. Alt 1: N/A 3. Optional GPIO
GPIO_13	T4	B ₈	General purpose I/O 13: Options: 1. Alt 0: UART1_TXD (O) 2. Alt 1: N/A 3. Optional GPIO
GPIO_12	T5	B ₈	General purpose I/O 12: Options: 1. Alt 0: IIC1_SDA (B) 2. Alt 1: N/A 3. Optional GPIO
GPIO_11	T2	B ₈	General purpose I/O 11: Options: 1. Alt 0: IIC1_SCL (B) 2. Alt 1: N/A 3. Optional GPIO
GPIO_10	V3	B ₈	General purpose I/O 10: Options: 1. Alt 0: SAS_INTGTR_EN (O) 2. Alt 1: N/A 3. Optional GPIO
GPIO_09	U1	B ₈	General purpose I/O 09: Options: 1. Alt 0: SAS_CSZ (O) 2. Alt 1: N/A 3. Optional GPIO
GPIO_08	U2	B ₈	General purpose I/O 08: Options: 1. Alt 0: SAS_DO (O) 2. Alt 1: N/A 3. Optional GPIO
GPIO_07	U4	B ₈	General purpose I/O 07: Options: 1. Alt 0: SAS_DI (I) 2. Alt 1: N/A 3. Optional GPIO
GPIO_06	V4	B ₈	General purpose I/O 06: Options: 1. Alt 0: SAS_CLK (O) 2. Alt 1: N/A 3. Optional GPIO
GPIO_05	A17	B ₈	General purpose I/O 05: Options: 1. Alt 0: SSP1_CSZ_2 (O-MST/I-SLV) 2. Alt 1: N/A 3. Optional GPIO

PIN		I/O (1)	DESCRIPTION (2) (3) (4)
NAME	NO.		
GPIO_04	B17	B ₈	General purpose I/O 04: Options: 1. Alt 0: SSP1_CSZ_1 (O-MST/I-SLV) 2. Alt 1: N/A 3. Optional GPIO
GPIO_03	B15	B ₈	General purpose I/O 03: Options: 1. Alt 0: SSP1_CSZ_0 (O-MST/I-SLV) 2. Alt 1: N/A 3. Optional GPIO
GPIO_02	C16	B ₈	General purpose I/O 02: Options: 1. Alt 0: SSP1_DO (O) 2. Alt 1: N/A 3. Optional GPIO
GPIO_01	D16	B ₈	General purpose I/O 01: Options: 1. Alt 0: SSP1_DI (I) 2. Alt 1: N/A 3. Optional GPIO
GPIO_00	E16	B ₈	General purpose I/O 00: Options: 1. Alt 0: SSP1_SCLK (O-MST/I-SLV) 2. Alt 1: N/A 3. Optional GPIO

- (1) See [Table 5-1](#) for more information on I/O definitions.
- (2) This table defines the GPIO capabilities of the DLPC6540. Please see [Section 7.3.6](#) for specific product configuration allocations of these GPIO.
- (3) Most GPIO have at least one alternate hardware functional use in addition to being available as a general purpose I/O. Depending on the product configuration, GPIO may be reserved specifically for use as an alternate hardware function (and would therefore not be available as a general purpose I/O). More information on GPIO allocations for specific product configurations can be found in [Section 7.3.6](#).
- (4) All GPIO that are available as a general purpose I/O must be configured as an input, a standard output, or an open-drain output. This is set in the flash configuration. Configure unused GPIO as a logic zero output and leave unconnected, otherwise an external pullup or pulldown resistor is required to avoid a floating input. The reset default for all GPIO is as an input signal. An external pullup resistor ($\leq 10\text{ k}\Omega$) is required for each signal configured as open-drain output.

5.11 Pin Functions – Clock and Support

PIN		I/O (1)	DESCRIPTION
NAME	NO.		
REFCLKA_I	AJ18	I ₉	Crystal A Input: Reference clock crystal input. (2) (3)
REFCLKA_O	AK18	O ₁₀	Crystal A Output: Reference clock crystal output. (2)
REFCLKB_I	B16	I ₁₄	Crystal B Input: Reference clock crystal input. (2) (3)
REFCLKB_O	A16	O ₁₅	Crystal B Output: Reference clock crystal output. (2)
OCLKA	AD30	O ₈	General Purpose Output Clock A (4) Targeted for driving Color Wheel motor controller. Frequency is software programmable, with a power-up default frequency of 0.77 MHz. Note: the output frequency is not affected by non-power-up reset operations (i.e., the system holds the last programmed value until system is power cycled).

- (1) See [Table 5-1](#) for more information on I/O definitions.
(2) For more information on this signal see [Section 6.11](#)
(3) For applications where an external oscillator is used in place of a crystal, use an oscillator to drive this pin
(4) For more information on this signal see [Section 6.19](#)

5.12 Pin Functions – Power and Ground

PIN		I/O (1)	DESCRIPTION
NAME	NO.		
VDD115_PLLMA	AE18	PWR	1.15-V digital power for MCG (Master Clock Generator A) PLL
VDD115_PLLMB	F15	PWR	1.15-V digital power for MCG (Master Clock Generator B) PLL
VAD115_PLLS	F16	PWR	1.15-V analog power for SCG doubler PLL
VAD18_PLLMA	AE19	PWR	1.8-V analog power for MCG (Master Clock Generator A) PLL
VAD18_PLLMB	F14	PWR	1.8-V analog power for MCG (Master Clock Generator B) PLL
VAD33_OSCA	Y18	PWR	3.3-V analog power for Crystal-OSC
VAD33_OSCB	L17	PWR	3.3-V analog power for Crystal-OSC
VAD115_FPD	F7,F9,F11,J6,L12	PWR	1.15-V analog power for FPD
VDD33_FPD	E6,E8,E10,E12,E14,G6,L11,L13	PWR	3.3-V digital power for FPD
VAD115_VX1	F24,L18	PWR	1.15-V analog power for VX1
VAD18_VX1	E18,L19	PWR	1.8-V analog power for VX1
VAD33_USB	D27,E26,F25	PWR	3.3-V analog power for USB
VDD18_SCS	L16,R6,T25,AE16	PWR	1.8-V digital power for SCS DRAM
VDD121_SCS	L15,N11,P20,U11,V20,Y16	PWR	1.21-V digital power for SCS SRAM
VAD115_HSSI	Y14,Y19,AF7,AF9,AF11,AF13AF21,AF23,AF25	PWR	1.15-V analog power for HSSI interface
VAD115_HSSI0_PLL	AE22	PWR	1.15-V analog power for HSSI-0 PLL
VAD115_HSSI1_PLL	AE10	PWR	1.15-V analog power for HSSI-1 PLL
VDD33_HSSI	Y12,Y20,AE8,AE12,AE20,AE24	PWR	3.3-V digital power for HSSI interface
VAD18_LSIF	Y15,AE13,AE14	PWR	1.8-V analog power for DMD low-speed interface
LVDS_VREFTEST	AF16		Manufacturing test use only - must be left open-unconnected
VDD115	L14,L20,M11,N20,P11,R20,T11,U20,V11,W20,Y11,Y13,Y17	PWR	1.15-V core power
VDD33	H25,K25,L6,M20,M25,N6,P25,R11,T20,U6,V25,W6,W11,Y25,AA6,AB25,AC6,AD25,AE6	PWR	3.3-V digital power

PIN		I/O ⁽¹⁾	DESCRIPTION
NAME	NO.		
VSS	A1,A2,A3,A5,A7,A9,A11,A13,A15,A18,A20,A22,A24,A26,A28,A30,B1,B2,B3,B5,B7,B9,B11,B13,B18,B20,B22,B24,B26,B28,B30,C3,C4,C6,C8,C10,C12,C14,C17,C19,C21,C23,C25,C29,D1,D2,D6,D8,D10,D12,D14,D17,D19,D21,D23,D25,D28,E3,E4,E5,E7,E9,E11,E13,E15,E22,E25,E28,F1,F2,F5,F6,F8,F10,F12,F13,F17,F18,F20,F30,G3,G4,G5,G27,H1,H2,H5,H6,J3,J4,J5,J25,J28,K6,K30,L1,L25,L27,M3,M6,(M12),(M13),(M14),(M15),(M16),(M17),(M18),(M19),N1,(N12),(N13),(N14),(N15),(N16),(N17),(N18),(N19),N25,N28,P6,(P12),(P13),(P14),(P15),(P16),(P17),(P18),(P19),P30,R3,(R12),(R13),(R14),(R15),(R16),(R17),(R18),(R19),R25,R27,T1,T6,(T12),(T13),(T14),(T15),(T16),(T17),(T18),(T19),U3,U5,(U12),(U13),(U14),(U15),(U16),(U17),(U18),(U19),U25,U28,V6,(V12),(V13),(V14),(V15),(V16),(V17),(V18),(V19),V30,W1,W5,(W12),(W13),(W14),(W15),(W16),(W17),(W18),(W19),W25,W27,Y3,Y6,AA25,AA28,AB1,AB6,AB30,AC3,AC25,AC27,AD6,AE1,AE5,AE7,AE9,AE11,AE15,AE17,AE21,AE23,AE25,AE26,AE28,AF3,AF5,AF6,AF8,AF10,AF12,AF14,AF15,AF17,AF18,AF19,AF20,AF22,AF24,AF26,AF28,AF30,AG4,AG6,AG8,AG10,AG12,AG14,AG16,AG18,AG23,AG25,AG27,AG29,AH1,AH2,AH3,AH4,AH6,AH8,AH10,AH12,AH14,AH16,AH18,AH21,AH23,AH25,AH27,AH29,AH30,AJ1,AJ3,AJ5,AJ7,AJ9,AJ11,AJ13,AJ15,AJ17,AJ22,AJ24,AJ26,AJ28,AJ30,AK1,AK3,AK5,AK7,AK9,AK11,AK13,AK15,AK17,AK22,AK24,AK26,AK28,AK30	RTN	GND for all power supplies (Ball numbers in parenthesis are also used as thermal ball and are located within the package center region)
VPGM	G25		Manufacturing use only (efuse). Must be tied to ground.

(1) See [Table 5-1](#) for more information on I/O definitions.

Table 5-1. I/O Type Subscript Definition

I/O		SUPPLY REFERENCE	ESD STRUCTURE
SUBSCRIPT	DESCRIPTION		
1	1.8 V SERDES (VX1)	VAD18_VX1	ESD diode to supply rail and GND
2	1.8-V LVDS (LS DMD)	VAD18_LSIF	ESD diode to supply rail and GND
3	1.8-V LMCOS (LS DMD)	VAD18_LSIF	ESD diode to supply rail and GND
4	3.3-V OpenDrain (VX1)	VDD33	ESD diode to supply rail and GND
5	3.3-V LVDS (FPD)	VDD33_FPD	ESD diode to supply rail and GND
6	3.3-V LVCMOS (PP)	VDD33_FPD	ESD diode to supply rail and GND
7	3.3-V HSSI (HS DMD)	VDD33_HSSI	ESD diode to supply rail and GND
8	3.3-V LVCMOS I/O (8ma output drive - GPIO, etc.)	VDD33	ESD diode to supply rail and GND
9	3.3-V LVCMOS I/O (OSC)	VAD33_OSCA	ESD diode to GND
10	3.3-V LVCMOS I/O (OSC)	VAD33_OSCA	ESD diode to supply rail and GND
11	3.3-V USB (USB)	VAD33_USB	ESD diode and LBJT to GND
12	3.3-V LVCMOS (USB)	VAD33_USB	ESD diode to supply rail and GND
13	3.3-V OpenDrain (I2C)	VDD33	ESD diode to supply rail and GND
14	3.3-V LVCMOS I/O (OSC)	VAD33_OSCB	ESD diode to GND
15	3.3-V LVCMOS I/O (OSC)	VAD33_OSCB	ESD diode to supply rail and GND
TYPE			
I	Input		N/A
O	Output		
B	Bidirectional		
PWR	Power		
RTN	Ground return		

Table 5-2. Internal Pullup and Pulldown Characteristics ⁽¹⁾

INTERNAL PULLUP AND PULLDOWN RESISTOR CHARACTERISTICS	CONDITIONS	MIN	MAX	UNIT
Weak pullup resistance	$V_{IN} = 0.8 \text{ V}, VDD33 = 3.3 \text{ V}$	19	50	k Ω
	$V_{IN} = 2.0 \text{ V}, VDD33 = 3.3 \text{ V}$	12	39	k Ω

(1) An external 5.7-k Ω or less pullup or pulldown resistor (if needed) is sufficient for any voltage condition to correctly override any associated internal pullup or pulldown resistance.

6 Specifications

6.1 Absolute Maximum Ratings

over operating free-air temperature (unless otherwise noted)⁽¹⁾

SUPPLY VOLTAGE ⁽²⁾		MIN	MAX	UNIT	
V _(VDD115) (Core)		-0.3	1.6	V	
V _(VDD115_PLLMA) (Core)		-0.3	1.6	V	
V _(VDD115_PLLMB) (Core)		-0.3	1.6	V	
V _(VDD115_PLLS) (Core)		-0.3	1.6	V	
V _(VAD115_FPD) (Core)		-0.3	1.6	V	
V _(VAD115_VX1) (Core)		-0.5	1.5	V	
V _(VAD115_HSSI) (Core)		-0.3	1.6	V	
V _(VAD115_HSSI0_PLL) (Core)		-0.3	1.6	V	
V _(VAD115_HSSI1_PLL) (Core)		-0.3	1.6	V	
V _(VDD121_SCS) (Core)		-0.4	1.6	V	
V _(VAD18_PLLMA) (Core)		-0.3	2.5	V	
V _(VAD18_PLLMB) (Core)		-0.3	2.5	V	
V _(VAD18_VX1) (I/O)		-0.5	2.5	V	
V _(VDD18_SCS) (Core)		-0.4	2.3	V	
V _(VDD18_LVDS) (I/O)		-0.3	2.5	V	
V _(VDD33) (I/O)		-0.3	3.9	V	
V _(VAD33_OSCA) (I/O)		-0.3	3.9	V	
V _(VAD33_OSCB) (I/O)		-0.3	3.9	V	
V _(VDD33_FPD) (I/O)		-0.3	3.9	V	
V _(VAD33_USB) (I/O)		-0.3	3.9	V	
V _(VDD33_HSSI) (I/O)		-0.3	3.9	V	
GENERAL					
T _J	Operating junction temperature		0	115	°C
T _C	Operating case temperature		0	108 ⁽³⁾	°C
I _{lat}	Latch-up		-100	100	mA
T _{stg}	Storage temperature range		5	30	°C

- Stresses beyond those listed under [Section 6.1](#) may cause permanent damage to the device. These are stress ratings only, which do not imply functional operation of the device at these or any other conditions beyond those indicated under [Section 6.3](#). Exposure to absolute-maximum-rated conditions for extended periods may affect device reliability.
- All voltage values are with respect to GND.
- Value calculated using package parameters defined in [Section 6.4](#).

6.2 ESD Ratings

PARAMETER		VALUE	UNIT	
V _(ESD)	Electrostatic discharge	Human body model (HBM), per ANSI-ESDA-JEDEC JS-001 ⁽¹⁾	±1000	
		All pins (except Vx1_CM_CKREF0, 1, 2, 3)		
		Charged device model (CDM), per JEDEC specification JESD22-C101 ⁽²⁾	Vx1_CM_CKREF0, 1, 2, 3	±750
			All pins (except Vx1_CM_CKREF0, 1, 2, 3)	±500
		Vx1_CM_CKREF0, 1, 2, 3	+500	
			-200	

- JEDEC document JEP155 states that 500-V HBM allows safe manufacturing with a standard ESD control process.
- JEDEC document JEP157 states that 250-V CDM allows safe manufacturing with a standard ESD control process.

6.3 Recommended Operating Conditions

over operating free-air temperature range (unless otherwise noted)

PARAMETER		TOLERANCE	MIN	NOM	MAX	UNIT
V _(VDD115) (Core)	1.15-V Power	± 4.35% tolerance	1.10	1.15	1.20	V
V _(VDD115_PLLMA) (Core)	1.15-V Digital Power - MCG-A PLL (Master Clock Generator)	+4.35/-9.13% tolerance	1.045	1.15	1.20	V
V _(VDD115_PLLMB) (Core)	1.15-V Digital Power - MCG-B PLL (Master Clock Generator)	+4.35/-9.13% tolerance	1.045	1.15	1.20	V
V _(VDD115_PLLS) (Core)	1.15-V Analog Power - SCG Doubler PLL	+4.35/-9.13% tolerance	1.045	1.15	1.20	V
V _(VAD115_FPD) (Core)	1.15-V Analog Power - FPD	+4.35/-9.13% tolerance	1.045	1.15	1.20	V
V _(VAD115_VX1) (Core)	1.15-V Analog Power - VX1	+4.35/-9.13% tolerance	1.045	1.15	1.20	V
V _(VAD115_HSSI) (Core)	1.15-V Analog Power - HSSI	+4.35/-9.13% tolerance	1.045	1.15	1.20	V
ΔV _(VAD115_HSSI) (Core)	pk-pkVAD115_HSSI supply noise @ 10 MHz (sine)				20	mV
V _(VAD115_HSSI0_PLL) (Core)	1.15-V Analog Power - HSSI0 PLL	+4.35/-9.13% tolerance	1.045	1.15	1.20	V
ΔV _(VAD115_HSSI0_PLL) (Core)	pk-pkVAD115_HSSI0_P LL supply noise @ 10 MHz (sine)				20	mV
V _(VAD115_HSSI1_PLL) (Core)	1.15-V Analog Power - HSSI1 PLL	+4.35/-9.13% tolerance	1.045	1.15	1.20	V
ΔV _(VAD115_HSSI1_PLL) (Core)	pk-pkVAD115_HSSI1_P LL supply noise @ 10 MHz (sine)				20	mV
V _(VDD121_SCS) (Core)	1.21V Digital Power - SCS DRAM	+7.43/-4.95% tolerance	1.15	1.21	1.30	V
V _(VAD18_PLLMA) (Core)	1.8-V Analog Power - MCG-A PLL (Master Clock Generator)	±5.0% tolerance	1.71	1.80	1.89	V
V _(VAD18_PLLMB) (Core)	1.8-V Analog Power - MCG-B PLL (Master Clock Generator)	±5.0% tolerance	1.71	1.80	1.89	V
V _(VAD18_VX1) (I/O)	1.8-V Analog Power - VX1 Interface	±5.0% tolerance	1.71	1.80	1.89	V
V _(VDD18_SCS) (Core)	1.8-V Digital Power - SCS DRAM	±5.0% tolerance	1.71	1.80	1.89	V
V _(VDD18_LVDS) (I/O)	1.8-V Analog Power - DMD LS Interface	±5.0% tolerance	1.71	1.80	1.89	V
V _(VDD33) (I/O)	3.3-V Digital Power - (All 3.3-V I/O without dedicated 3.3-V supply - e.g. GPIO)	±5.0% tolerance	3.135	3.3	3.465	V

over operating free-air temperature range (unless otherwise noted)

PARAMETER		TOLERANCE	MIN	NOM	MAX	UNIT
V _(VAD33_OSCA) (I/O)	3.3-V Analog Power - Crystal-OSCA Interface	±5.0% tolerance	3.135	3.3	3.465	V
V _(VAD33_OSCB) (I/O)	3.3-V Analog Power - Crystal-OSCB Interface	±5.0% tolerance	3.135	3.3	3.465	V
V _(VDD33_FPD) (I/O)	3.3-V Digital Power - FPD interface	±5.0% tolerance	3.135	3.3	3.465	V
V _(VAD33_USB) (I/O)	3.3-V Analog Power - USB Interface	±5.0% tolerance	3.135	3.3	3.465	V
V _(VDD33_HSSI) (I/O)	3.3-V Digital Power - DMD HSSI Interface	±5.0% tolerance	3.135	3.3	3.465	V
ΔV _(VDD33_HSSI) (I/O)	pk-pkVDD33_HSSI supply noise @ 10 MHz (sine)				60	mV
GENERAL						
T _J	Operating junction temperature		0		115	°C
T _C	Operating case temperature		0		108	°C
T _A	Operating ambient temperature ⁽¹⁾ ⁽²⁾		0		55	°C

- (1) The operating ambient temperature range values were determined based on the board design parameters described in [Section 10.1.1](#), rather than using a JEDEC JESD51 standard test card and environment, along with min and max estimated power dissipation across process, voltage, and temperature. Ambient thermal conditions, which impact R_{θJA}, vary by application. Thus, maximum operating ambient temperature varies by application.
- $T_{a_min} = T_{j_min} - (P_{d_min} \times R_{\theta JA}) = 0^{\circ}\text{C} - (\text{host_min_valueW} \times \text{host_value}^{\circ}\text{C/W}) = -\text{host_calculated_value}^{\circ}\text{C}$
 - $T_{a_max} = T_{j_max} - (P_{d_max} \times R_{\theta JA}) = +115^{\circ}\text{C} - (\text{host_max_valueW} \times \text{host_value}^{\circ}\text{C/W}) = +\text{host_calculated_value}^{\circ}\text{C}$
- (2) Operating ambient temperature is dependent on system thermal design. Operating case temperature may not exceed its specified range across ambient temperature conditions.

6.4 Thermal Information

THERMAL METRIC ⁽¹⁾		TEST CONDITIONS ⁽²⁾	ZDC	UNIT
			P-HBGA676	
			676 PINS (576 Populated)	
R _{θJA}	Junction-to-air thermal resistance ⁽³⁾	0 m/s of forced airflow, without heat-sink 1 m/s of forced airflow, without heat-sink 2 m/s of forced airflow, without heat-sink 1 m/s of forced airflow, with heat-sink, 7 W 2 m/s of forced airflow, with heat-sink, 7 W 1 m/s of forced airflow, with heat-sink, 15 W 2 m/s of forced airflow, with heat-sink, 15 W	7.4 6.3 6.0 5.3 4.8 4.0 3.5	°C/W
R _{JC}	Junction-to-case thermal resistance ⁽⁴⁾		2.7	°C/W
R _{JB}	Junction-to-board thermal resistance ⁽⁴⁾		3.5	°C/W
ψ _{JT} ⁽⁵⁾	Temperature variance from junction to package top center temperature, per unit power dissipation.	0 m/s of forced airflow, without heat-sink 1 m/s of forced airflow, without heat-sink 2 m/s of forced airflow, without heat-sink	0.6 0.6 0.6	°C/W
P _{MAX}	Package - Maximum Power ⁽⁶⁾ ⁽³⁾	0 m/s of forced airflow, without heat-sink 1 m/s of forced airflow, without heat-sink 2 m/s of forced airflow, without heat-sink	8.10 9.52 10.00	W

- (1) For more information about traditional and new thermal metrics, see the *IC Package Thermal Metrics* application report, [SPRA953](#).
- (2) These test conditions also included a PCB sized at 101.3mm x 152.4mm incorporating the recommended PCB thermal enhancements specified in [Section 10.1.1](#). In addition, airflow is parallel to the board surface directed at the device.
- (3) See [Table 6-1](#) for thermal parameters based on the example heat-sinks listed below
 - a. Heatsink-7 W: S1525-7W, Size = 25 mm x 25 mm x 7 mm, Pins = 7 x 7 = 49 (Vendor: Alpha, Type S Series)
 - b. Heatsink-15 W: S1530-15W, Size = 30 mm x 30 mm x 15 mm, Pins = 8 x 8 = 64 (Vendor: Alpha, Type S Series)
- (4) Due to the complex internal construction of the DLPC6540 controller, the R_{JC} and R_{JB} thermal coefficients do not always produce an accurate junction temperature estimate. A limited set of comparison scenario data shows that the R_{JC} and R_{JB} modeled junction temperature can have a +9% to -2% error vs the actual temperature. The amount of this error varies with the use and size of an external heat sink as well as the amount of external air flow. Validate all thermal estimates based on R_{JC} and R_{JB} with an actual temperature measurement at the top-center of the package plus the delta-temp defined by ψ_{JT}.
- (5) Example: Using the power we expect of 11.31 W
11.31 W * 0.6 °C/W = 6.786 °C => T_{C-max} = 115 °C - ~7 °C = 108 °C
- (6) P_{MAX} = (T_{J-max} - T_{A-max}) / R_{θJA}

Table 6-1. Thermal Examples using Two Different Heat-sinks

THERMAL METRIC ⁽¹⁾		TEST CONDITIONS	ZDC	UNIT
			P-HBGA676	
			676 PINS (576 Populated)	
R _{θJA}	Junction-to-air thermal resistance	1 m/s of forced airflow, with heat-sink, 7 W 2 m/s of forced airflow, with heat-sink, 7 W 1 m/s of forced airflow, with heat-sink, 15 W 2 m/s of forced airflow, with heat-sink, 15 W	5.3 4.8 4.0 3.5	°C/W
P _{MAX}	Package - Maximum Power	1 m/s of forced airflow, with heat-sink, 7 W 2 m/s of forced airflow, with heat-sink, 7 W 1 m/s of forced airflow, with heat-sink, 15 W 2 m/s of forced airflow, with heat-sink, 15 W	11.32 12.50 15.00 17.14	W

- (1) This table show examples of what may be achievable based on the two example heat-sinks.

6.5 Power Electrical Characteristics

over operating free-air temperature range (unless otherwise noted)

PARAMETER		TEST CONDITIONS	MIN	TYP	MAX ⁽¹⁾	UNIT
V _(VDD115)	1.15-V Power	Maximum current at VDD115 = 1.2 V			5640	ma
V _(VDD115_PLLMA) (Core)	1.15-V Digital Power MCG-A PLL (Master Clock Generator)	Maximum current at VDD115_PLLMA = 1.2 V			6	ma
V _(VDD115_PLLMB) (Core)	1.15-V Digital Power MCG-B PLL (Master Clock Generator)	Maximum current at VDD115_PLLMB = 1.2 V			6	ma
V _(VDD115_PLLS) (Core)	1.15-V Analog Power SCG Doubler PLL	Maximum current at VDD115_PLLS = 1.2 V			3	ma
V _(VAD115_FPD) (Core) ⁽²⁾	1.15-V Analog Power FPD	Maximum current at VAD115_FPD = 1.2 V Ports A and B Active, Port C inactive			99	ma
V _(VAD115_VX1) (Core) ⁽²⁾	1.15-V Analog Power VX1	Maximum current at VAD115_VX1 = 1.2 V 8 Lanes, with total BW = 3.0Gbps)			400	ma
V _(VAD115_HSSI) (Core)	1.15-V Digital Power HSSI	Maximum current at VDD115_HSSI = 1.2 V Both ports active			462	ma
V _(VAD115_HSSI0_PLL) (Core)	1.15-V Digital Power HSSI0 PLL	Maximum current at VDD115_HSSI0_PLL = 1.2 V Both ports active			1	ma
V _(VAD115_HSSI1_PLL) (Core)	1.15-V Digital Power HSSI1 PLL	Maximum current at VDD115_HSSI1_PLL = 1.2 V Both ports active			1	ma
V _(VDD121_SCS) (Core)	1.21V Digital Power SCS DRAM	Maximum current at VDD121_SCS = 1.30 V			334	ma
V _(VAD18_PLLMA) (Core)	1.8-V Analog Power MCG-A PLL (Master Clock Generator)	Maximum current at VAD18_PLLMA = 1.89 V			10	ma
V _(VAD18_PLLMB) (Core)	1.8-V Analog Power MCG-B PLL (Master Clock Generator)	Maximum current at VAD18_PLLMB = 1.89 V			10	ma
V _(VAD18_VX1) (I/O) ⁽²⁾	1.8-V Analog Power VX1 Interface	Maximum current at VAD18_VX1 = 1.89 V 8 Lanes, with total BW = 3.0Gbps			41	ma
V _(VDD18_SCS) (Core)	1.8-V Digital Power SCS DRAM	Maximum current at VDD18_SCS = 1.89 V			327	ma
V _(VDD18_LVDS) (I/O)	1.8-V Analog Power DMD LS Interface	Maximum current at VDD18_LVDS = 1.89 V			31	ma
V _(VDD33) (I/O)	3.3-V Digital Power - (All 3.3-V I/O without dedicated 3.3-V supply - e.g. GPIO)	Maximum current at VDD33 = 1.3456 V			28	ma
V _(VAD33_OSCA) (I/O)	3.3-V Analog Power Crystal/OSCA Interface	Maximum current at VDD33_OSCA = 1.3456 V			5	ma
V _(VAD33_OSCB) (I/O)	3.3-V Analog Power Crystal-OSCB Interface	Maximum current at VDD33_OSCB = 1.3456 V			5	ma
V _(VDD33_FPD) (I/O) ⁽²⁾	3.3-V Digital Power FPD interface	Maximum current at VDD33_FPD = 1.3456 V Ports A and B Active, Port C inactive			102	ma
V _(VAD33_USB) (I/O)	3.3-V Analog Power USB Interface	Maximum current at VDD33_USB = 1.3456 V			78	ma

over operating free-air temperature range (unless otherwise noted)

PARAMETER		TEST CONDITIONS	MIN	TYP	MAX ⁽¹⁾	UNIT
$V_{(VDD33_HSSI)}$ (I/O)	3.3-V Digital Power DMD HSSI Interface	Maximum current at VDD33_HSSI = 1.3456 V Both ports active, with total BW = 3.0Gbps			194	ma

- (1) Vendor estimate for worst case power PVT condition = corner process, high voltage, high temperature (115°C junction).
- (2) The V-by-One interface and FPD-Link receivers are never intended to be simultaneously enabled . Always disable one of these interfaces.

6.6 Pin Electrical Characteristics

over operating free-air temperature range (unless otherwise noted)⁽¹⁾

PARAMETER		TEST CONDITIONS	MIN	TYP	MAX	UNIT
V _{IH}	High-level input threshold voltage	1.8 V LVCMOS (I/O type 3 - LS DMD)	1.05			V
		3.3 V OpenDrain (I/O type 4 - VX1)	N/A			
		3.3 V LVCMOS (I/O type 6 - FPD)	0.8 × VDD33_FPD			
		3.3 V LVCMOS (I/O type 6 - PP)	2.0			
		3.3 V LVCMOS (I/O type 8 - GPIO)	2.0			
		3.3 V LVCMOS (I/O type 9 - OSCA)	2.0			
		3.3 V LVCMOS (I/O type 10 - OSCB)	2.0			
		3.3 V OpenDrain (I/O type 13 - I2C)	0.7 × VDD33			
V _{IL}	Low-level input threshold voltage	1.8 V LVCMOS (I/O type 3 - LS DMD)			0.6	V
		3.3 V OpenDrain (I/O type 4 - VX1)			N/A	
		3.3 V LVCMOS (I/O type 6 - FPD)			0.2 × VDD33_FPD	
		3.3 V LVCMOS (I/O type 6 - PP)			0.8	
		3.3 V LVCMOS (I/O type 8 - GPIO)			0.8	
		3.3 V LVCMOS (I/O type 9 - OSCA)			0.8	
		3.3 V LVCMOS (I/O type 10 - OSCB)			0.8	
		3.3 V OpenDrain (I/O type 13 - I2C)			0.3 × VDD33	
I _{IH}	High-level input current	1.8 V LVCMOS (I/O type 3 - LS DMD)	V _{IN} = VAD18_LSIF	-10	10	μA
		3.3 V OpenDrain (I/O type 4 - VX1)		N/A	N/A	
		3.3 V LVCMOS (I/O type 6 - PP)		-10	10	
		3.3 V LVCMOS (I/O type 8 - GPIO)	V _{IN} = VDD33	-10	10	
		3.3 V LVCMOS (I/O type 9 - OSCA)	V _{IN} = VDD33	-10	10	
		3.3 V LVCMOS (I/O type 10 - OSCB)	V _{IN} = VDD33	-10	10	
		3.3 V OpenDrain (I/O type 13 - I2C)		-10	10	

over operating free-air temperature range (unless otherwise noted)⁽¹⁾

PARAMETER		TEST CONDITIONS		MIN	TYP	MAX	UNIT
I _{IL}	Low-level input current	1.8 V LVCMOS (I/O type 3 - LS DMD)	V _{IN} = VSS	-10		10	μA
		3.3 V OpenDrain (I/O type 4 - VX1)		N/A		N/A	
		3.3 V LVCMOS (I/O type 6 - PP)		-10		10	
		3.3 V LVCMOS (I/O type 8 - GPIO)	V _{IN} = VSS	-10		10	
		3.3 V LVCMOS (I/O type 9 - OSCA)	V _{IN} = VSS	-10		10	
		3.3 V LVCMOS (I/O type 10 - OSCB)	V _{IN} = VSS	-10		10	
		3.3 V OpenDrain (I/O type 13 - I2C)		-10		10	
V _{OH}	High-level output voltage	1.8 V LVCMOS (I/O type 3 - LS DMD)		VDD18 - 0.6			V
		3.3 V OpenDrain (I/O type 4 - VX1)		N/A			
		3.3 V LVCMOS (I/O type 6 - PP)		N/A			
		3.3 V LVCMOS (I/O type 8 - GPIO)	I _{OH} = 8 mA	VDD33 - 0.6			
		3.3 V LVCMOS (I/O type 9 - OSCA)		N/A			
		3.3 V LVCMOS (I/O type 10 - OSCB)		N/A			
		3.3 V OpenDrain (I/O type 13 - I2C)		N/A			
V _{OL}	Low-level output voltage	1.8 V LVCMOS (I/O type 3 - LS DMD)				0.4	V
		3.3 V OpenDrain (I/O type 4 - VX1)	I _{OL} = 8 mA			0.4	
		3.3 V LVCMOS (I/O type 6 - PP)				N/A	
		3.3 V LVCMOS (I/O type 8 - GPIO)	I _{OL} = 8 mA			0.4	
		3.3 V LVCMOS (I/O type 9 - OSCA)				N/A	
		3.3 V LVCMOS (I/O type 10 - OSCB)				N/A	
		3.3 V OpenDrain (I/O type 13 - I2C)	3-mA sink			0.4	
I _{OH}	High-level output current	1.8 V LVCMOS (I/O type 3 - LS DMD)		N/A			mA
		3.3 V OpenDrain (I/O type 4 - VX1)		N/A			
		3.3 V LVCMOS (I/O type 6 - PP)		N/A			

over operating free-air temperature range (unless otherwise noted)⁽¹⁾

PARAMETER		TEST CONDITIONS	MIN	TYP	MAX	UNIT
		3.3 V LVCMOS (I/O type 8 - GPIO)	$V_{OH} = V_{DD33} - 0.6 \text{ V}$	8		
		3.3 V LVCMOS (I/O type 9 - OSCA)		N/A	N/A	
		3.3 V LVCMOS (I/O type 10 - OSCB)		N/A	N/A	
		3.3 V OpenDrain (I/O type 13 - I2C)		N/A		
I_{OL}	Low-level output current	1.8 V LVCMOS (I/O type 3 - LS DMD)		N/A		mA
		3.3 V OpenDrain (I/O type 4 - VX1)	$V_{OL} = 0.4 \text{ V}$	8		
		3.3 V LVCMOS (I/O type 6 - PP)			N/A	
		3.3 V LVCMOS (I/O type 8 - GPIO)	$V_{OL} = 0.4 \text{ V}$	8		
		3.3 V LVCMOS (I/O type 9 - OSCA)		N/A	N/A	
		3.3 V LVCMOS (I/O type 10 - OSCB)		N/A	N/A	
		3.3 V OpenDrain (I/O type 13 - I2C)	$V_{OL} = 0.6 \text{ V}$	6	-	
I_{OZ}	High-impedance leakage current	1.8 V LVCMOS (I/O type 3 - LS DMD)		N/A		μA
		3.3 V OpenDrain (I/O type 4 - VX1)		-10	10	
		3.3 V LVCMOS (I/O type 6 - PP)		-10	10	
		3.3 V LVCMOS (I/O type 8 - GPIO)	$V_{OUT} = V_{DD33}$	-10	10	
		3.3 V LVCMOS (I/O type 9 - OSCA)		N/A	N/A	
		3.3 V LVCMOS (I/O type 10 - OSCB)		N/A	N/A	
		3.3 V OpenDrain (I/O type 13 - I2C)		N/A	N/A	

(1) The number inside each parenthesis for the I/O refers to the type defined in [Table 5-1](#).

6.7 DMD HSSI Electrical Characteristics

over operating free-air temperature range (unless otherwise noted)

PARAMETER		MIN	NOM	MAX	UNIT	
V _{DIFF}	Output Peak-to-Peak Differential ⁽¹⁾ (into floating load R _{LOAD} = 100 Ω)	VDD33_HSSI (I/O type 7)		200	1000	mVppd
V _{CM}	Output common mode (into floating load R _{LOAD} = 100 Ω)	VDD33_HSSI (I/O type 7)		200	700	mV
R _{DIFF}	Differential termination resistance	80	100	120	Ω	
R _{TERM}	Single-ended termination resistance	40	50	60	Ω	
SDD22	Differential output return loss (100 MHz to 0.75 × Baud)			-8	dB	
SCC22	Common mode return loss (100 MHz to 3.2Gbps)			-6	dB	
N _{CM}	Transmitter common mode noise			(7.5% × V _{DIFF}) + 25 mV	mVppd	
DJ _{DATA}	Deterministic jitter data (non-DCD)			0.20	UI pp	
DJ _{CLOCK}	Deterministic jitter clock (non-DCD)			0.16	UI pp	
DCD	Duty cycle distortion			0.05	UI pp	
TJ	Total jitter (random + DJ)			0.30	UI pp	

(1) $V_{DIFF-pp} = (V_p - V_n)_{cycle_N} - (V_p - V_n)_{cycle_N+1} = 2 \times |V_{OD}|$
See Figure 6-1.

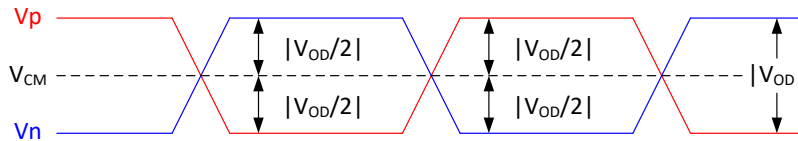


Figure 6-1. HSSI Differential Voltage Parameters

6.8 DMD Low-Speed LVDS Electrical Characteristics

over operating free-air temperature range (unless otherwise noted)

PARAMETER		MIN	NOM	MAX	UNIT		
V _{DIFF}	Output peak-to-peak differential (into R _{LOAD} = 100 Ω)	VAD18_LSIF (I/O type 2)		340	600	mVppd	
V _{CM}	Steady-state common mode voltage	VAD18_LSIF (I/O type 2)		1100	1200	1300	mV
V _{OD} ⁽¹⁾	Differential output voltage (into R _{LOAD} = 100 Ω)	VAD18_LSIF (I/O type 2)		170	300	mV	
V _{OD} (Δ) ⁽²⁾	V _{OD} change (between logic states)	VAD18_LSIF (I/O type 2)			25	mV	
V _{CM} (Δ)	V _{CM} change (between logic states)	VAD18_LSIF (I/O type 2)			25	mV	
V _{OH}	Single-ended output voltage high ⁽³⁾	VAD18_LSIF (I/O type 2)			1450	mV	
V _{OL}	Single-ended output voltage low ⁽³⁾	VAD18_LSIF (I/O type 2)		950		mV	
T _{Xterm}	Internal differential termination	85	100	115	Ω		

(1) $V_{DIFF-pp} = (V_p - V_n)_{cycle_N} - (V_p - V_n)_{cycle_N+1} = 2 \times |V_{OD}|$
See Figure 6-2

(2) $|V_{OD} (\Delta)| = | |V_{OD}|_{cycle_N} - |V_{OD}|_{cycle_N+1} |$

(3) $V_{OH} = 1300 + 300/2 = 1450$; $V_{OL} = 1100 - 300/2 = 950$

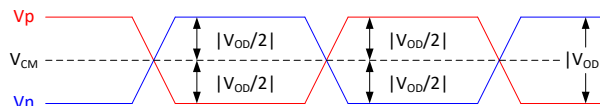


Figure 6-2. DMD Low-Speed Differential Voltage Parameters

6.9 V-by-One Interface Electrical Characteristics

over operating free-air temperature range (unless otherwise noted)

PARAMETER ⁽¹⁾			MIN	NOM	MAX	UNIT
V _{DIFF}	Input peak-to-peak differential	VAD18_VX1 (I/O type 1)	100			mVppd
V _{ID}	Differential input voltage	VAD18_VX1 (I/O type 1)	50			mV
R _{Xterm}	Internal differential termination	VAD18_VX1 (I/O type 1)	80	100	120	Ω

(1) See the V-by-One interface [standard](#) for more information

6.10 USB Electrical Characteristics

over operating free-air temperature range (unless otherwise noted)

PARAMETER ^{(1) (2)}			MIN	NOM	MAX	UNIT
Low-Speed and Full Speed (Input Level)						
V _{IH}	Single-ended input voltage high (driven)		2.0			V
V _{IHZ}	Single-ended input voltage high (floating)		2.7		3.6	V
V _{IL}	Single-ended input voltage low				0.8	V
V _{DI}	Differential input sensitivity	{(DP) - (DM)}	0.2			V
V _{CM}	Differential common mode voltage	Includes V _{DI} range	0.8		2.5	V
Low-Speed and Full Speed (Output Level)						
V _{OL}	Low-level output voltage	with 1.425KΩ pullup to 3.6V	0.0		0.3	V
V _{OH}	High-level output voltage	with 14.25KΩ pulldown	2.8		3.6	V
V _{CRS}	Output signal crossover voltage		1.3		2.0	V
High-Speed (Input Level)						
V _{HSSQ}	High-speed squelch detection threshold (differential signal amplitude)		100		150	mV
V _{HSDSC}	High-speed disconnect detection threshold (differential signal amplitude)		525		626	mV
V _{HSCM}	High-speed data signal common mode voltage		-50		500	mV
High-Speed (Output Level)						
V _{HSOI}	High-speed idle level		-10.0		10.0	mV
V _{HSOH}	High-speed data signal - high		360		440	mV
V _{HSOL}	High-speed data signal - low		-10.0		10.0	mV
V _{CHIRPJ}	High-speed chirp J level (differential voltage)		700		1100	mV
V _{CHIRPK}	High-speed chirp K level (differential voltage)		-900		-500	mV
Termination						
R _{PU}	Bus pullup resistor		1.425		1.575	KΩ
R _{PD}	Bus pulldown resistor		14.25		15.75	KΩ
Z _{HSDRV}	High-speed driver output impedance		40.5		49.5	Ω

(1) Referenced to VAD33_USB (I/O type 11)

(2) When used as a master as part of USB OTG, the DLPC6540 requires an External USB Switch to provide the USB 5-V power. The example shown in [Figure 6-3](#) makes use of a TI TPS2500/2501 device. The example figure does not describe the required ancillary components (such as, resistors and capacitors). For this information please refer to the USB Switch logic datasheet for the selected device. The External USB Switch is not required for product configurations that are supporting USB slave mode only.

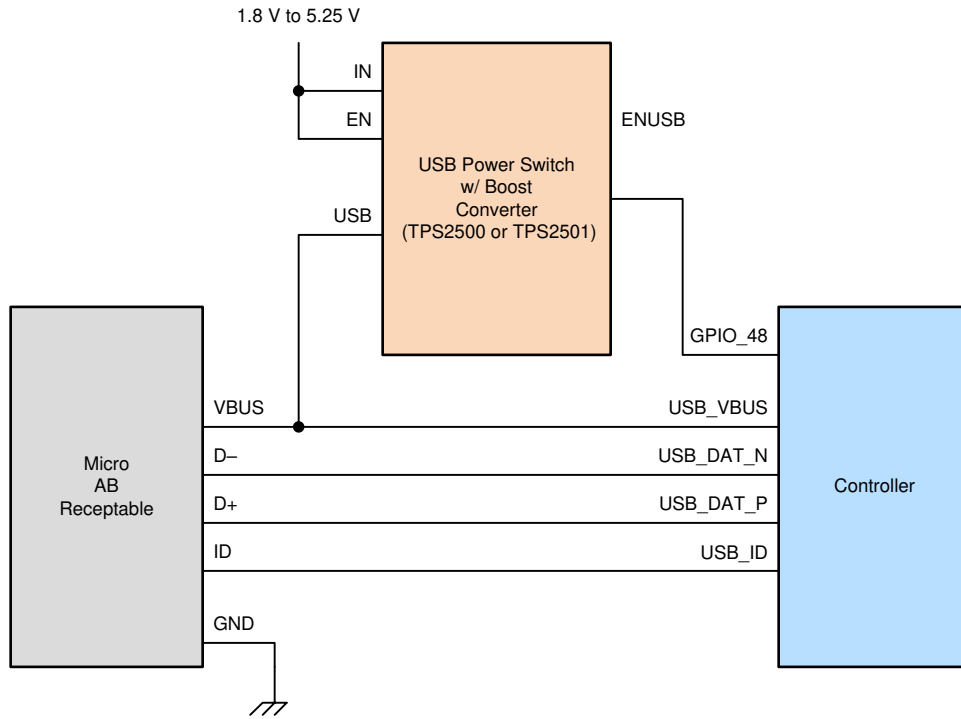


Figure 6-3. External USB Switch Example for DLPC6540 Controller as USB OTG Master

6.11 System Oscillator Timing Requirements

PARAMETER			MIN	NOM	MAX	UNIT
f_{clock}	Clock frequency, REFCLKA ^{(1) (2)}	PLLA: 40 MHz	39.9960	40.000	40.0040	MHz
t_c	Cycle time, REFCLKA ⁽¹⁾	PLLA: 40 MHz	24.9975	25.000	25.0025	ns
$t_{w(H)}$	Pulse duration ⁽³⁾ , REFCLKA, high	PLLA: 40 MHz 50% to 50% reference points (signal)	11.25			ns
$t_{w(L)}$	Pulse duration ⁽³⁾ , REFCLKA, low	PLLA: 40 MHz 50% to 50% reference points (signal)	11.25			ns
t_t	Transition time ⁽³⁾ , REFCLKA, $t_t = t_f / t_r$	PLLA: 40 MHz 20% to 80% reference points (signal)			2.5	ns
t_{jp}	Long term periodic jitter ⁽³⁾ , REFCLKA (that is the deviation in period from ideal period due solely to high frequency jitter)	PLLA: 40 MHz			18	ps
f_{clock}	Clock frequency, REFCLKB ⁽¹⁾	PLLB: 38 MHz	37.9962	38.000	38.0038	MHz
t_c	Cycle time, REFCLKB ⁽¹⁾	PLLB: 38 MHz	26.3132	26.3157	26.3184	ns
$t_{w(H)}$	Pulse duration ⁽³⁾ , REFCLKB, high	PLLB: 38 MHz 50% to 50% reference points (signal)	11.84			ns
$t_{w(L)}$	Pulse duration ⁽³⁾ , REFCLKB, low	PLLB: 38 MHz 50% to 50% reference points (signal)	11.84			ns
t_t	Transition time ⁽³⁾ , REFCLKB, $t_t = t_f / t_r$	PLLB: 38 MHz 20% to 80% reference points (signal)			2.63	ns
t_{jp}	Long term periodic jitter ⁽³⁾ , REFCLKB (that is the deviation in period from ideal period due solely to high frequency jitter)	PLLB: 38 MHz			18	ps

- (1) The REFCLK inputs do not support spread spectrum clock spreading.
(2) Multi-Controller systems require that a single oscillator be used to drive the REFCLKA input for all controllers in the system.
(3) Applies only when driven through an external digital oscillator. This is a 1 sigma RMS value.

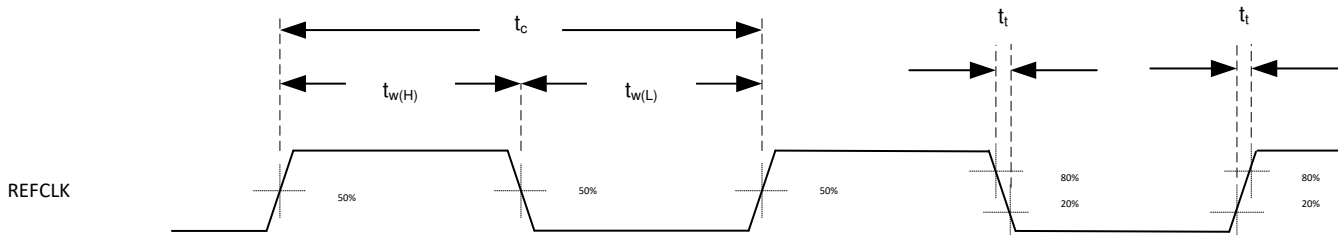


Figure 6-4. System Oscillators

6.12 Power Supply and Reset Timing Requirements

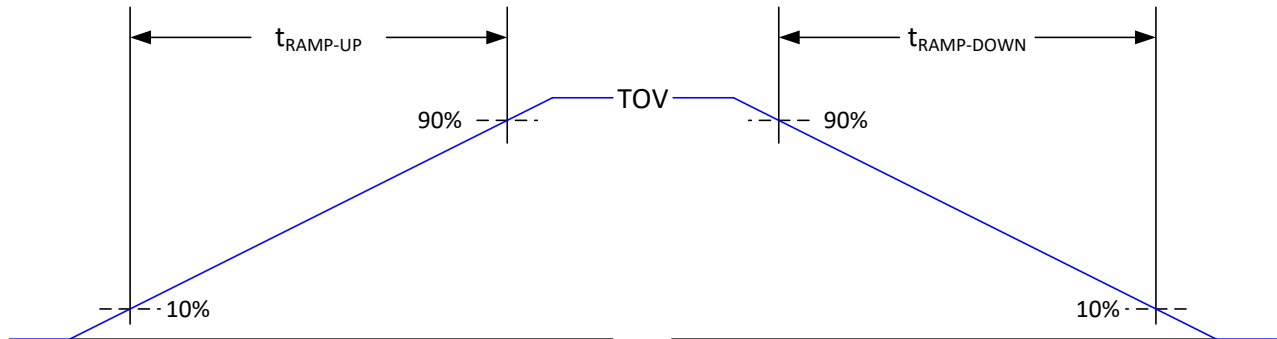
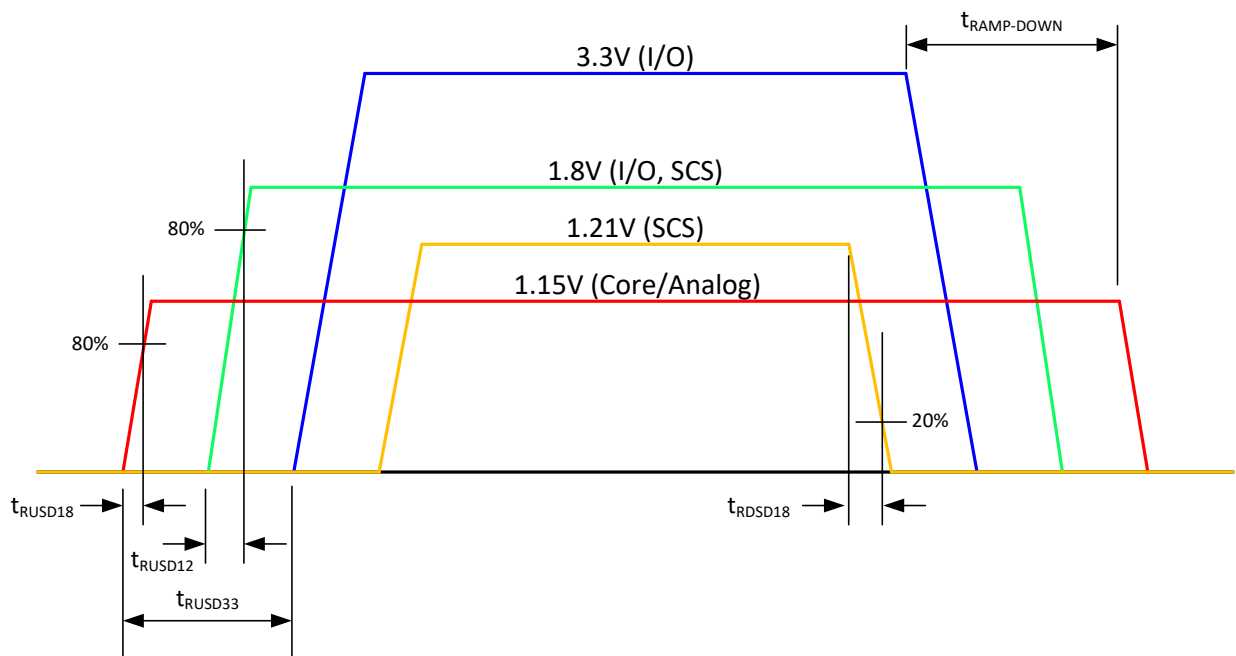
PARAMETER		MIN	MAX	UNIT
$t_{\text{RAMP-UP}}$	Power supply ramp-up time. (1) Figure 6-5	0.01	10	ms
$t_{\text{RAMP-UP-TOTAL}}$	Total power supply ramp-up time.(1)		100	ms
$t_{\text{RAMP-DOWN}}$	Power supply ramp-down time. (1) Figure 6-5 Figure 6-6	0	100	ms
t_{RUSD18}	1.8-V Supply Ramp-up Start Delay (2) Figure 6-6	See (3)		ms
t_{RUSD33}	3.3-V Supply Ramp-up Start Delay (2) Figure 6-6	10	50	ms
t_{RUSD12}	1.21V Supply Ramp-up Start Delay (2) Figure 6-6	See (4)		ms
t_{RDSD18}	1.8-V Supply Ramp-down Start Delay (2) Figure 6-6	See (5)		ms
t_{EW}	Early Warning Time Figure 6-8	500		μs
t_{PH}	Power Hold Time Figure 6-8	500		μs
t_{w1}	Pulse duration, in-active low, PWRGOOD Figure 6-7	4	1000 (6)	μs
t_{t1}	Transition time, PWRGOOD $t_{\text{t1}} = t_{\text{f1}}$ and t_{r1} Figure 6-7		625	μs
t_{w2}	Pulse duration, in-active low, POSENCE Figure 6-8	100		ms
t_{t2}	Transition time, POSENCE $t_{\text{t1}} = t_{\text{f1}}$ and t_{r1} Figure 6-8		25	μs
t_{PSD}	PWRGOOD Start Delay Figure 6-7	51.5	60	ms

- (1) It is assumed that all 1.15-V supplies come from the same source, although some will have additional filtering before entering the DLPC6540. As such, it is expected that these supplies will ramp together (aside from differences caused by filtering). This same expectation is true for the 1.21V, 1.8-V, and 3.3-V supplies.
- (2) The DLPC6540 has specific power supply sequencing requirements which are listed below, and which also include the timings specified in this table.
 - a. Power Up Order:
 - i. 1.15-V (Core, Analog) » 1.8-V (I/O, SCS) » 1.21V (SCS)
 - ii. 1.15-V (Core, Analog) » 3.3-V (I/O)
 - b. Power Down Order:
 - i. 3.3-V (I/O) » 1.15-V (Core, Analog)
 - ii. 1.21V (SCS) » 1.8-V (I/O, SCS) » 1.15-V (Core, Analog)
- (3) This delay requirement parameter is defined as the time between two events. The first event is the point where the 1.15-V power supply ramp-up is started, and the second event is when the 1.15-V supply ramp-up reaches 80% of TOV (at which point the 1.8-V supply can start its ramp-up). Because the occurrence of the second event depends on the specific design of the 1.15-V power supply, the designer must determine the specific delay time.
- (4) This delay requirement parameter is defined as the time between two events. The first event is the point where the 1.8-V power supply ramp-up is started, and the second event is when the 1.8-V supply ramp-up reaches 80% of TOV (at which point the 1.21V supply can

DLPC6540

DLPS168B – MAY 2020 – REVISED AUGUST 2020

- start its ramp-up). Because the occurrence of the second event depends on the specific design of the 1.8-V power supply, the designer must determine the specific delay time.
- (5) This delay requirement parameter is defined as the time between two events. The first event is the point where the 1.21V power supply ramp-down is started, and the second event is when the 1.21V supply ramp-down reaches 20% of TOV (at which point the 1.8-V supply can start its ramp-down). Because the occurrence of the second event depends on the specific design of the 1.21V power supply, the designer must determine the specific delay time.
 - (6) This max value is only applicable if the 1.8V power remains ON while PWRGOOD is inactive. Otherwise, there is no maximum limit.
 - (7) As long as noise on this signal is below the hysteresis threshold


Figure 6-5. Power Supply Ramp Time

Figure 6-6. Power Supply Ramp Sequencing Profiles

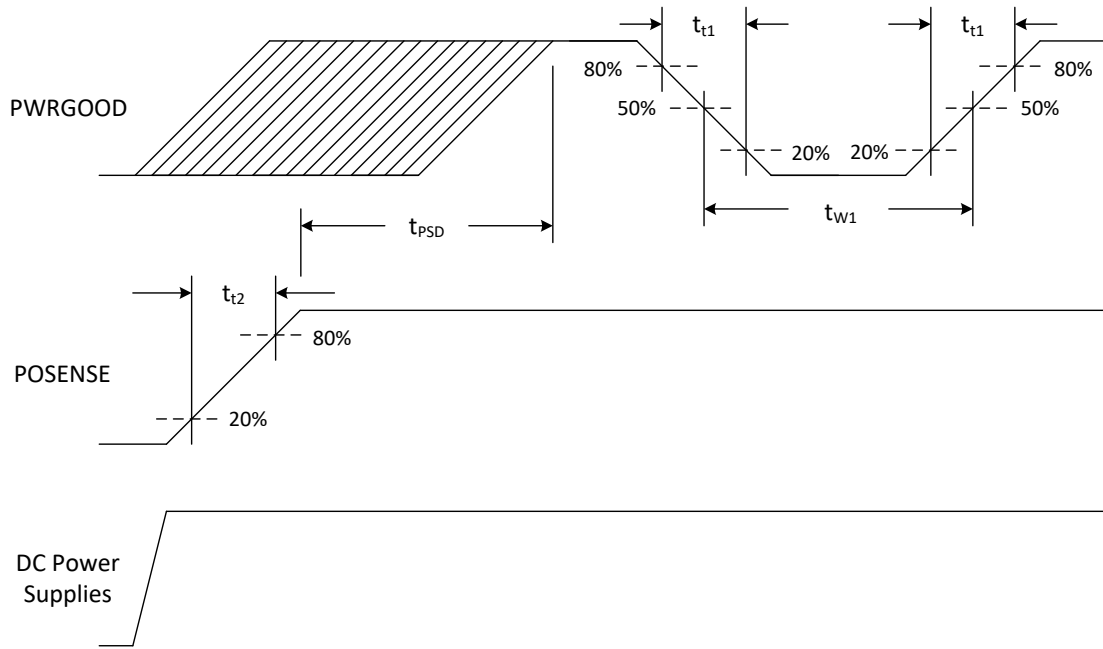


Figure 6-7. Power Up Timing

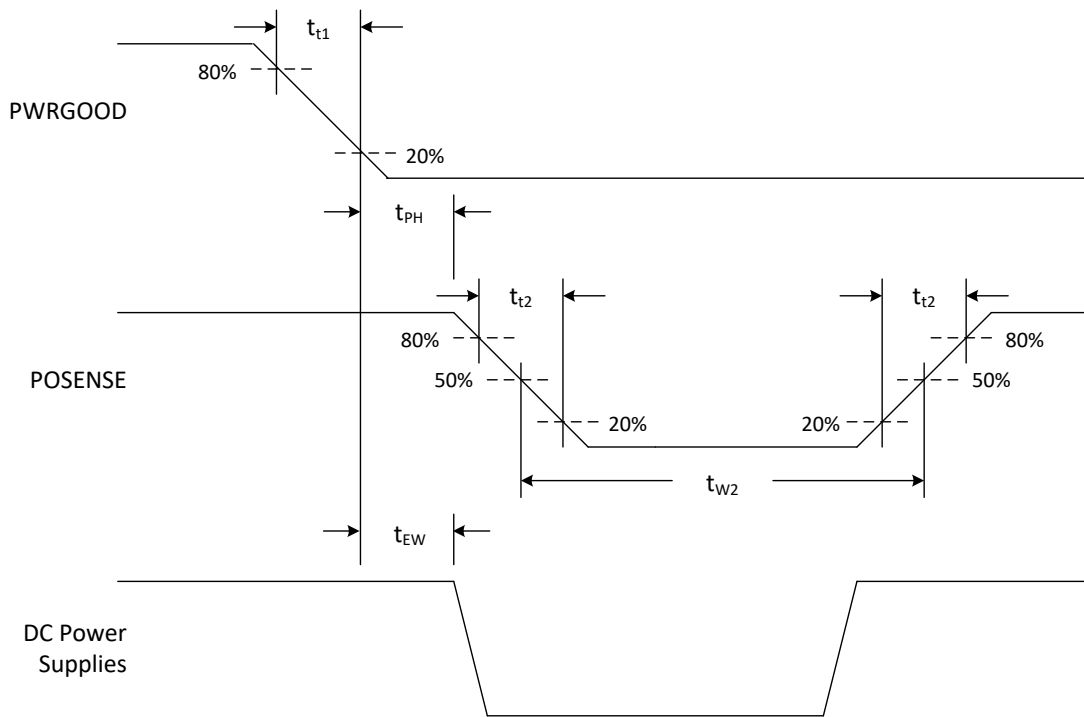


Figure 6-8. Power Down Timing

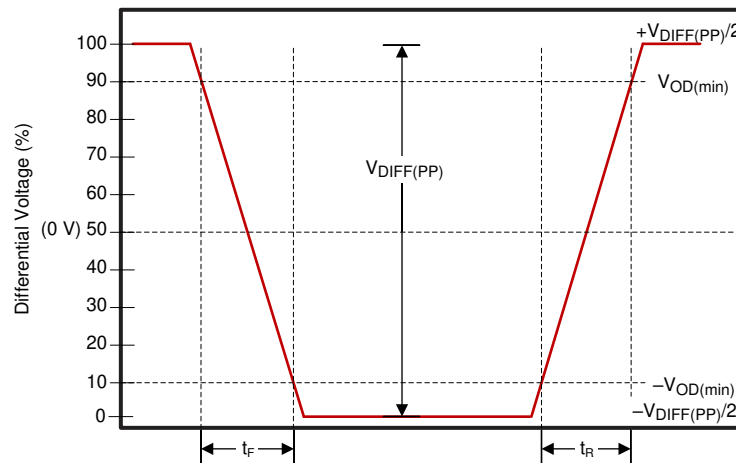
6.13 DMD HSSI Timing Requirements

over operating free-air temperature range (unless otherwise noted)

PARAMETER		MIN	NOM	MAX	UNIT
Baud	Baud Rate	2.4		3.2	Gbps
UI	Unit Interval, 1/Baud	312.5		416.7	ps
t_R	Differential output rise time ⁽¹⁾ (20% to 80%)	50		UI / 4	ps
t_F	Differential output fall time ⁽¹⁾ (20% to 80%)	50		UI / 4	ps
t_{skd0c0}	Data lane to Clock lane skew			± 200	ps
t_{skd1c1}	Data lane to Clock lane skew			± 200	ps
t_{skc0c1}	Clock lane 0 to Clock lane 1 skew			± 1870	ps
f_{SSCD}	Spread Spectrum (Down Spreading Only) ⁽²⁾		When SSCD Enabled	2	%
f_{MOD}	Modulation Frequency ⁽²⁾		When SSCD Enabled	78.125	K Hz

(1) Rise and Fall times are associated with $V_{DIFF-pp}$ as shown in [Figure 6-9](#)

(2) When SSCD is enabled, the available modulation waveform is: Triangular



V_{CM} is removed when signals are viewed differentially

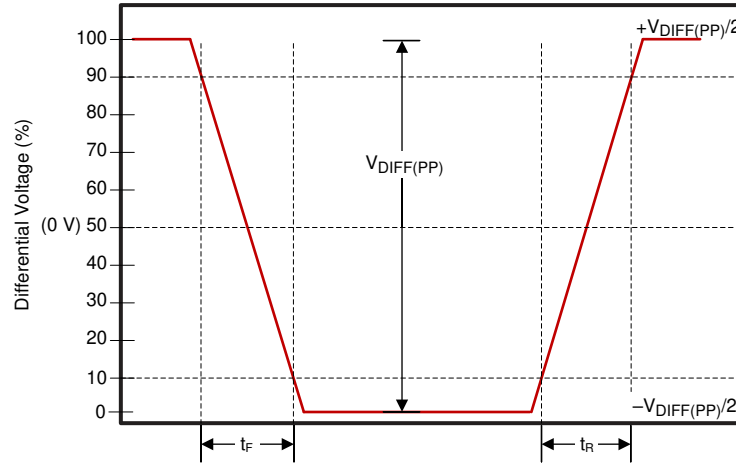
Figure 6-9. HSSI Differential Timing Parameters

6.14 DMD Low-Speed LVDS Timing Requirements

over operating free-air temperature range (unless otherwise noted)

PARAMETER		MIN	NOM	MAX	UNIT
fclock		119.966	120	120.034	MHz
t_R ⁽¹⁾	Differential output rise time (10% to 90%)			250	ps
t_F ⁽¹⁾	Differential output fall time (10% to 90%)			250	ps
DCD	Duty Cycle Distortion	45		55	%

(1) Rise and Fall times are associated with $V_{DIFF-pp}$ as shown in [Figure 6-10](#)



V_{CM} is removed when signals are viewed differentially

Figure 6-10. DMD Low-Speed Differential Timing Parameters

6.15 V-by-One Interface General Timing Requirements

PARAMETER ⁽¹⁾		MIN	MAX	UNIT	
f_{clock}	Source clock frequency	40 (1 lane) 20 (1 lane with Pixel Repeat) ⁽²⁾	600 (8 lanes)	MHz	
$f_{link-ck}$	Link clock frequency per lane ⁽³⁾	8 lanes 43 4 lanes 43 2 lanes 43 1 lane 43 (21.5 with Pixel Repeat)	75 85 85 85	MHz	
f_{link}	Link transfer rate ⁽³⁾	3-Byte Mode 4-Byte Mode 5-Byte Mode	2 2 3.0 2.15 3.0	Gbps	
t_{RBIT}	Unit interval	3-Byte Mode 4-Byte Mode 5-Byte Mode	392 294 500 500 500	ps ps ps	
t_A	Jitter Margin		0.25	UI	
t_B	Rise / Fall Time		0.05	UI	
t_{EYE}	Differential Data Eye		0.5	UI	
t_{skew_intra}	Allowable intra-pair skew		0.3	UI	
t_{skew_inter}	Allowable Inter-pair Skew		5	UI	
f_{oskew_inter}	Allowable Inter-pair frequency offset		-300	300	ppm
T_j	Total jitter		-	0.5	UI
R_j	Random jitter	10^{12} UI	-	0.2	UI
D_j_ISI	Deterministic jitter (ISI)		-	0.2	UI
S_j	Sinusoidal jitter		-	0.1	UI

- (1) V-by-One high-speed technology supports 1, 2, 4 or 8 lane operation, in addition to 3-Byte, 4-Byte, and 5-Byte transfer modes
- (2) Pixel repeat is a method used to support slower clock rate sources, whereby, the source come at twice the original clock rate, with each data pixel being repeated once, and blanking being doubled as well. This method must operate external to DLPC6540. Once received, the DLPC6540 discards each duplicate data pixel and blanking clock. Pixel repeat is supported only during 1- lane operation.
- (3) For V-by-One high-speed technology, both link clock rate and link transfer rate limits must be met for any source.

6.16 Source Frame Timing Requirements

See [Figure 6-11](#)

PARAMETER ⁽¹⁾			MIN	MAX	UNIT
t_{p_vsw}	VSYNC Active Pulse Width	50% reference points	1	127	lines
t_{p_vbp}	Vertical back porch (VBP) ⁽²⁾	50% reference points	2 ⁽³⁾		lines
t_{p_vfp}	Vertical front porch (VFP) ⁽²⁾	50% reference points	MAX[(TVB _{MIN} - 65), 1] ⁽³⁾		lines
t_{p_tvb}	Total vertical blanking (TVB) ⁽²⁾	50% reference points	See ⁽⁴⁾		lines
t_{p_hsw}	HSYNC Active Pulse Width	50% reference points	16		PCLKs
t_{p_hbp}	Horizontal back porch (HBP) ⁽⁵⁾	50% reference points	5 (Digital Video Sources) 65 (Analog Video Sources)		PCLKs
t_{p_hfp}	Horizontal front porch (HFP) ⁽⁵⁾	50% reference points	2		PCLKs
t_{p_thb}	Total horizontal blanking (THB) ⁽⁵⁾	50% reference points	20 (Digital Video Sources) 80 (Analog Video Sources) ⁽⁶⁾		PCLKs
f_{line}	Horizontal line rate		37.354		K Hz
APPL	Active Pixels per Line		640	4096	Pixels
ALPF	Active Lines per Frame		480	2160 (Normal)	Lines

- (1) The requirements in the table apply to all external sources
- (2) Vertical Blanking Parameter Definitions:
 - a. Vertical Back Porch: Time from the leading edge of VSYNC to the leading edge of HSYNC for the first active line, and includes the VSYNC pulse width t_{p_vsw} .
 - b. Vertical Front Porch: Time from the leading edge of HSYNC following the last active line in a frame to the leading edge of VSYNC
 - c. Total Vertical Blanking: The sum of VBP + VFP = TVB.
- (3) The vertical blanking required (per TVB) can be allocated as desired as long as the VFP and VBP minimum values are met.
- (4) The minimum TVB can be calculated using the following:
 $TVB_{min} = 11 + \text{ROUNDUP}(\text{LLS_VFP_MIN} \times (\text{Source_ALPF}/\text{VPS_ALPF}))$, where:
 - a. LLS_VFP_MIN (Normal Mode) = 22
 - b. Source_ALPF = Active Lines Per Frame of the incoming source
 - c. VPS_ALPF = 1080 (for 1920x1080 Native products and 3840x2160 4-way XPR products)
 - d. Less TVBmin blanking may be required depending on the video processing being done. The configurations that drive the worst case minimum value are those configurations that combine the maximum (or near maximum) capabilities of functions such as scaling, warping, and keystone correction.
 - e. This is applicable to all sources ([Section 7.4](#)). Other sources will require directed testing in the end application.
 - f. The minimum recommended TVB with CVT 1.2 sources is 23.
- (5) Horizontal Blanking Parameter Definitions:
 - a. Horizontal Back Porch: Time from the leading edge of HSYNC to the rising edge of DATEN, and includes the HSYNC pulse width t_{p_hsw} .
 - b. Horizontal Front Porch: Time from the falling edge of DATEN to the leading edge of HSYNC.
 - c. Total Horizontal Blanking: The sum of HBP + HFP = THB.
- (6) The horizontal blanking required (per THB) can be allocated as desired as long as the HFP and HBP minimum values are met.

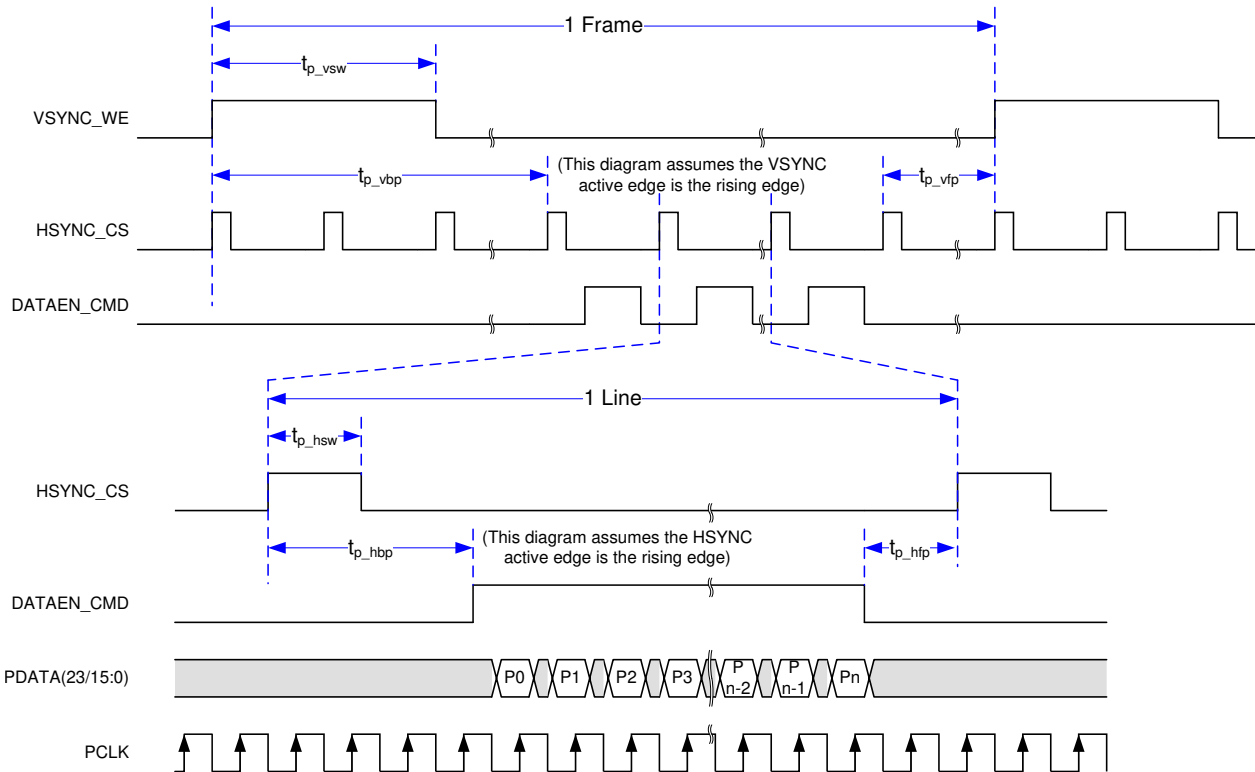


Figure 6-11. Source Frame Timing

6.17 Synchronous Serial Port Interface Timing Requirements

For SSP0, SSP1 and SSP2 (1) (2)

PARAMETER		MIN	MAX	UNIT
SSP Master				
f_{clock}	Clock frequency, SSPx_CLK	50% to 50% reference points		MHz
t_{clock}	Clock Period, SSPx_CLK	50% to 50% reference points		ns
$t_{w(L)}$	Pulse duration low, SSPx_CLK	50% to 50% reference points		ns
$t_{w(H)}$	Pulse duration high, SSPx_CLK	50% to 50% reference points		ns
t_{delay}	Output Delay – SSPx_TXD (MOSI)	-2.5	2.5	ns
t_{su}	Setup time – SSPx_RXD (MISO)	50% to 50% reference points		ns
t_{h}	hold time – SSPx_RXD (MISO)	50% to 50% reference points		ns
t_{t}	Transition time (t_{r} and t_{f} SSPx_RXD)	20% to 80% reference points		ns
t_{clkjit}	Clock Jitter, SSPx_CLK		300	ps
$t_{\text{delay}\Delta}$	Clock output delay $\Delta \{ t_{w(H)} - t_{w(L)} \}$		500	ps
SSP Slave				
t_{delay}	Output Delay – SSPx_TXD (MOSI)	0	15	ns
t_{su}	Setup time – SSPx_RXD (MISO)	50% to 50% reference points		ns
t_{h}	hold time – SSPx_RXD (MISO)	50% to 50% reference points		ns

- (1) The DLPC6540 SPI interfaces support SPI Modes 0, 1, 2, and 3 (that is, both clock polarities and both clock phases) as shown in Table 6-2 and Figure 6-12. As such, each SPI interface configuration must be setup to match the SPI mode being used.
- (2) In most SPI applications, one clock edge is used by both master and slave devices for transmitting data while the other edge is used by both for sampling received data. This is referred to as *Standard SPI Protocol*. To maximize the SPI_CLK frequency potential, SPI masters can alternatively be designed to sample the data in (MISO) bit on the same clock edge used to transmit the next data out (MOSI) bit. This is referred to as "Enhanced SPI Protocol". The DLPC6540 SPI master implementation supports both protocols (part of

SPI interface configuration), however, to be able to use the "Enhanced SPI Protocol", the slave device must meet the requirement shown in [Figure 6-13](#).

Table 6-2. SPI Clocking Modes

SPI Clocking Mode	SPI Clock Polarity	SPI Clock Phase
0	0	0
1	0	1
2	1	0
3	1	1

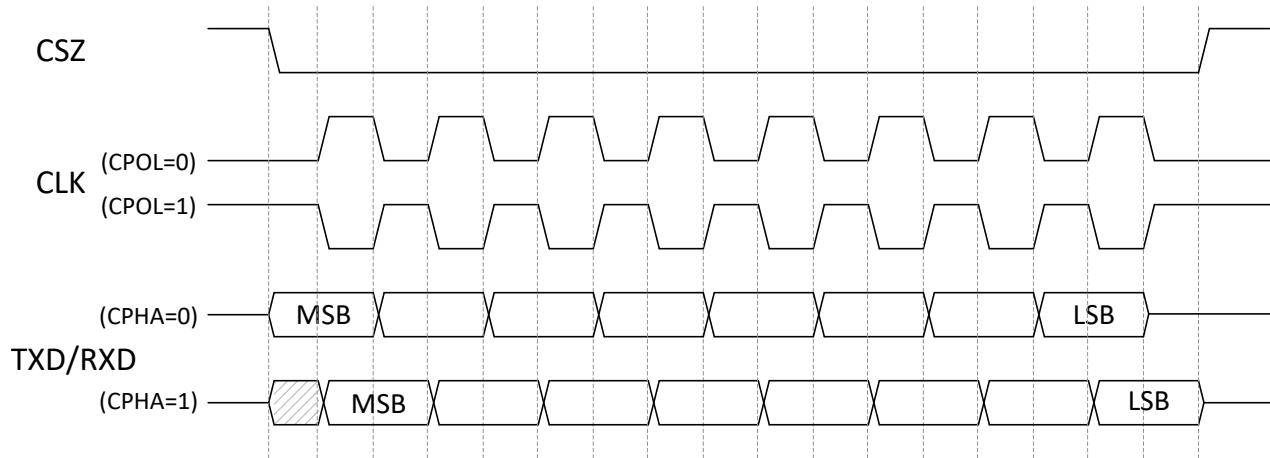


Figure 6-12. Timing Diagram for SPI Clocking Modes

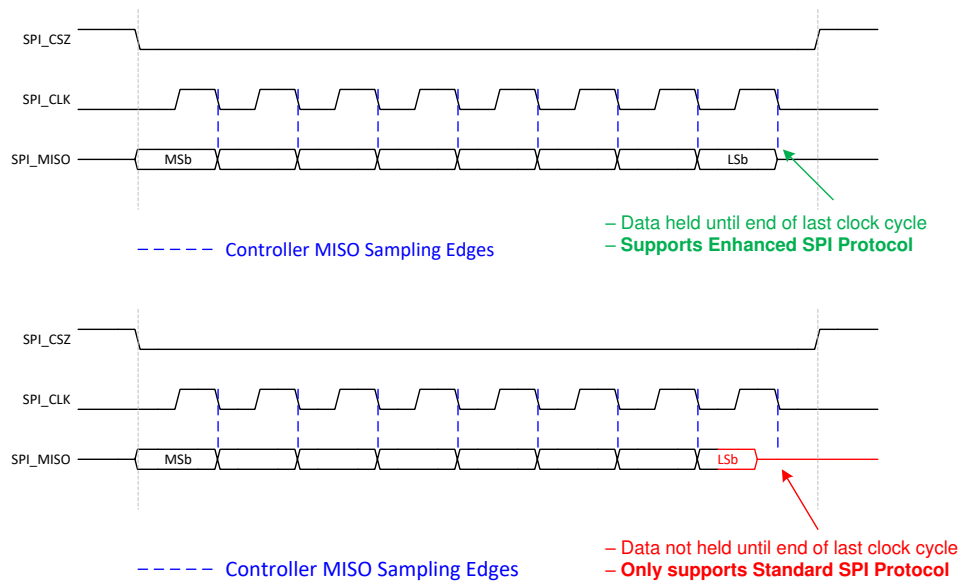


Figure 6-13. Requirement for Enhanced SPI Protocol

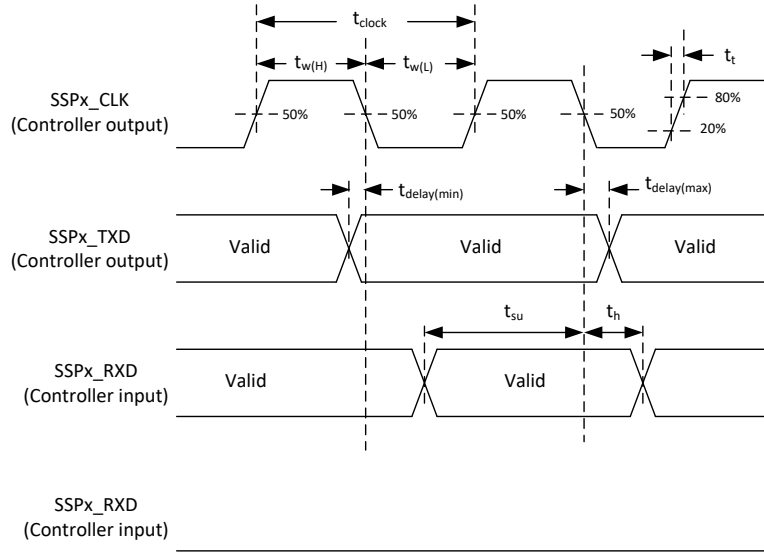


Figure 6-14. Timing Diagram for SSP Master (Modes 0/3)

6.18 Master and Slave I²C Interface Timing Requirements

PARAMETER ⁽¹⁾		MIN	MAX	UNIT
f _{clock}	Clock frequency, IIC0_SCL ⁽²⁾ (50% reference points)	Full speed	400	k Hz
		Standard mode	100	k Hz
C _L	Capacitive Load (for each bus line)		200	pF

- (1) Meets all I²C timing per the I²C Bus Specification (except for capacitive loading as specified). For reference see Version 2.1 of the Phillips-NXP specification.
- (2) By definition, I²C transactions operate at the speed of the slowest device on the bus. Full Speed operation requires all other I²C devices on the bus support Full Speed operation. The length of the line (due to its capacitance), as well as the value of the I²C pullup resistors can reduce the obtainable clock rate..

6.19 Programmable Output Clock Timing Requirements

PARAMETER		MIN	MAX	UNIT
f _{clock}	Clock frequency, OCLKA ⁽¹⁾	0.19	48.75	MHz
t _{clock}	Clock period, OCLKA	20.52	5263.15	ns
t _{w(H)}	Pulse duration high, OCLKA (50% reference points)	(t _{clock} /2) - 2		ns
t _{w(L)}	Pulse duration low, OCLKA (50% reference points)	(t _{clock} /2) - 2		ns
t _{cclkjit}	Jitter, OCLKA		200	ps
f _{clock}	Clock frequency, OCLKB ⁽¹⁾	0.19	48.75	MHz
t _{clock}	Clock period, OCLKB	20.52	5263.15	ns
t _{w(H)}	Pulse duration high, OCLKB (50% reference points)	(t _{clock} /2) - 2		ns
t _{w(L)}	Pulse duration low, OCLKB (50% reference points)	(t _{clock} /2) - 2		ns
t _{cclkjit}	Jitter, OCLKB		200	ps
f _{clock}	Clock frequency, OCLKC ⁽¹⁾	0.19	48.75	MHz
t _{clock}	Clock period, OCLKC	20.52	5263.15	ns
t _{w(H)}	Pulse duration high, OCLKC (50% reference points)	(t _{clock} /2) - 2		ns
t _{w(L)}	Pulse duration low, OCLKC (50% reference points)	(t _{clock} /2) - 2		ns
t _{cclkjit}	Jitter, OCLKC		200	ps
f _{clock}	Clock frequency, OCLKD ⁽¹⁾	0.19	48.75	MHz
t _{clock}	Clock period, OCLKD	20.52	5263.15	ns
t _{w(H)}	Pulse duration high, OCLKD (50% reference points)	(t _{clock} /2) - 2		ns
t _{w(L)}	Pulse duration low, OCLKD (50% reference points)	(t _{clock} /2) - 2		ns
t _{cclkjit}	Jitter, OCLKD		200	ps

- (1) a. OCLKA is a dedicated pin, while OCLKB thru OCLKD are available via GPIO as alternate functions.
- b. The frequency of OCLKA thru OCLKD is programmable, with each having a power-up default frequency of 0.77 MHz. This default frequency is not that meaningful for OCLKB thru OCLKD since they must be configured to their alternate GPIO function before they can be used as a clock output.

6.20 JTAG Boundary Scan Interface Timing Requirements (Debug Only)

See [Figure 6-15](#)

PARAMETER		MIN	MAX	UNIT	
f_{clock}	Clock frequency, TCK		20	MHz	
t_{clock}	Clock period, TCK	50		ns	
$t_{w(H)}$	Pulse duration low, TCK	50% reference points	23	ns	
$t_{w(L)}$	Pulse duration high, TCK	50% reference points	27	ns	
t_s	Setup time – TDI valid before TCK↑	50% reference points	10	ns	
t_h	Hold time – TDI valid after TCK↑	50% reference points	10	ns	
t_s	Setup time – TMS1 valid before TCK↑	50% reference points	10	ns	
t_h	Hold time – TMS1 valid after TCK↑	50% reference points	10	ns	
t_t	Transition time (t_r and t_f)	20% to 80% reference points	3	ns	
t_{delay}	Output delay, TCK↓ to TDO1	60pF load	0	15	ns

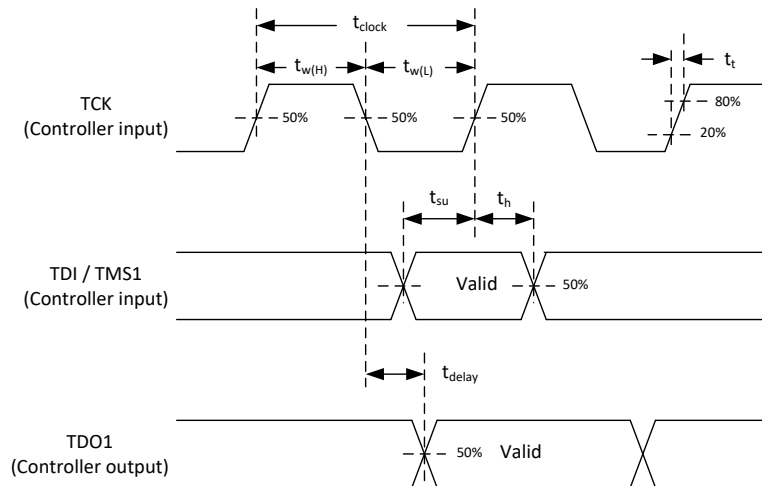


Figure 6-15. Timing Diagram for JTAG Boundary Scan

6.21 JTAG ARM Multi-Ice Interface Timing Requirements (Debug Only)

See [Figure 6-16](#)

PARAMETER		MIN	MAX	UNIT
f_{clock}	Clock frequency, TCK		8.33	MHz
t_{clock}	Clock period, TCK	120		ns
$t_{w(H)}$	Pulse duration low, TCK	50% reference points	50	ns
$t_{w(L)}$	Pulse duration high, TCK	50% reference points	50	ns
t_s	Setup time – TDI valid before TCK \uparrow	50% reference points	15	ns
t_h	Hold time – TDI valid after TCK \uparrow	50% reference points	15	ns
t_s	Setup time – TMS2 valid before TCK \uparrow	50% reference points	15	ns
t_h	Hold time – TMS2 valid after TCK \uparrow	50% reference points	15	ns
t_t	Transition time (t_r and t_f)	20% to 80% reference points	5	ns
t_{delay}	Output delay, TCK \downarrow to TDO2	0	15	ps

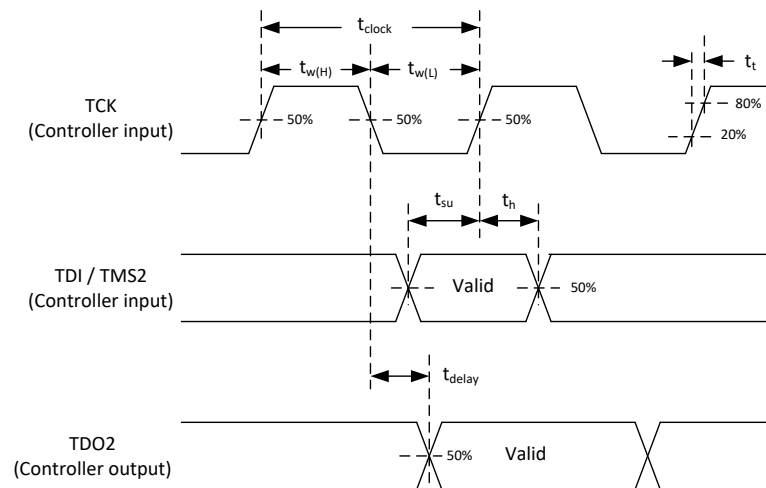


Figure 6-16. Timing Diagram for JTAG ARM Multi-Ice

6.22 Multi-Trace ETM Interface Timing Requirements

See [Figure 6-17](#)

PARAMETER ⁽¹⁾		MIN	MAX	UNIT
f_{clock}	Clock frequency, ETM_TRACECLK		41.56	MHz
t_{clock}	Clock period, ETM_TRACECLK	24.1		ns
$t_{w(H)}$	Pulse duration low, ETM_TRACECLK	50% reference points	11.2	ns
$t_{w(L)}$	Pulse duration high, ETM_TRACECLK	50% reference points	11.2	ns
t_{delay}	Output delay, ETM_TRACECLK \uparrow to "ETM_OUTPUTS" ⁽²⁾	3.0	9.0	ps
t_{delay}	Output delay, ETM_TRACECLK \downarrow to "ETM_OUTPUTS" ⁽²⁾	3.0	9.0	ps

- (1) The trace interface is a source synchronous DDR interface. TRACE_CLK has a programmable delay to provide for centering its edges in the center of the trace data to optimize performance.
- (2) "ETM_OUTPUTS" are: TSTPT_(7:0) and ETM_TRACECTL

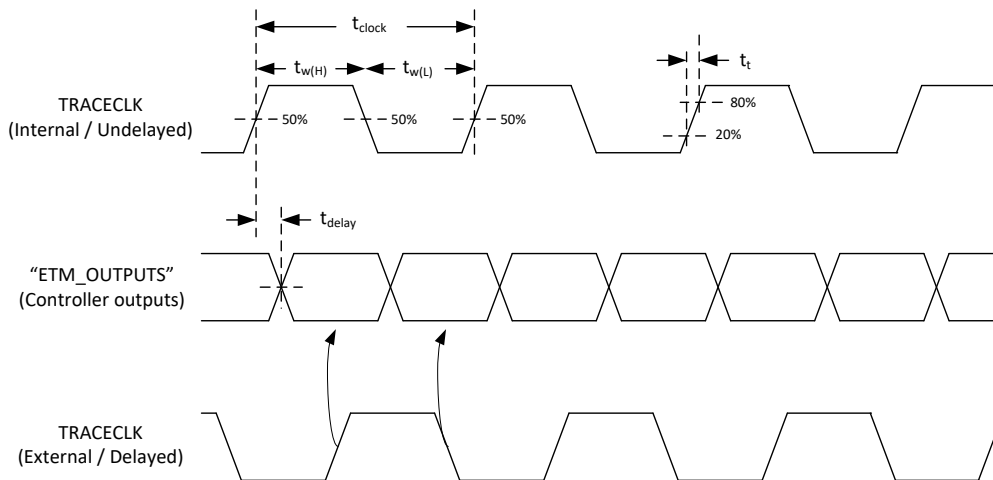


Figure 6-17. Timing Diagram for Multi-Trace ETM

7 Detailed Description

7.1 Overview

The DLP® Products chipset consists of three components – the DLP471TP, the DLPC6540, and the DLPA3005 . The DLPC6540 is the display controller for the DMD - it formats incoming video and controls the timing of the DMD. It also controls DLPA3005 light source signal timing to coordinate with DMD timing in order to synchronize light output with DMD mirror movement. The DLPC6540 provides interfaces such as V-by-One and HSSI (DMD interface) to minimize power consumption and EMI. Applications include mobile smart tv, digital signage, and mobile home cinema.

7.2 Functional Block Diagram

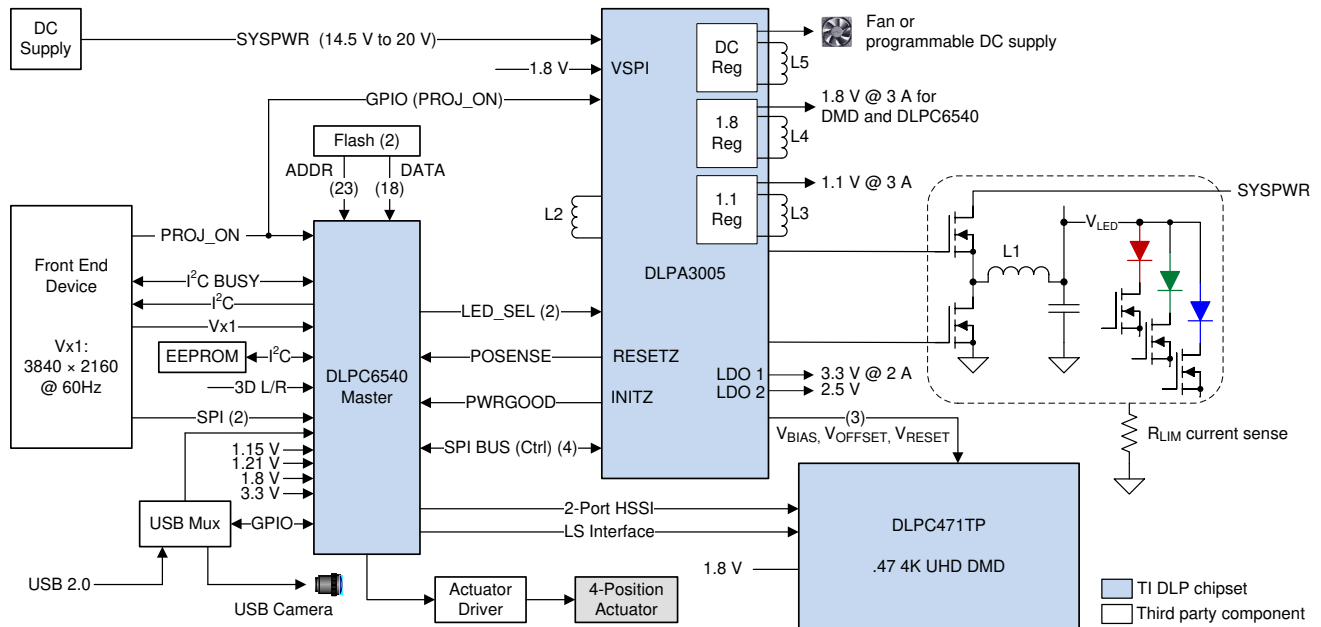


Figure 7-1. LED Functional Block Diagram

7.3 Feature Description

7.3.1 Input Sources

Table 7-1. Supported Input Source Parameters

INTERFACE	Bits/Pixel Accepted (Max)	Bits/Pixel Processed (Max)	Source Resolution: 2D		Source Resolution: 3D (per Eye) ⁽¹⁾
			Min	Max	Max
V-by-One	12	10	640 x 480 ⁽²⁾	4096 × 2160	1920 x 1080 (FS)

(1) FS = Frame Sequential (Full Resolution).

(2) The minimum clock rate and link rate for the V-by-One interface, as well as Byte Mode, limits the smallest resolution that can be supported by this interface. This interface supports 3-Byte, 4-Byte, and 5-Byte modes.

7.3.2 Processing Delays

The DLPC6540 introduces a variable number of field/frame delays dependent on the source type and selected processing steps performed on the source. For optimum audio/video synchronization this delay must be matched in the audio path. The following tables define the various video delay scenarios to aid in audio matching.

Because the input and output rates are different when frame rate conversion (FRC) is employed, the delay through the FRC is variable.

Table 7-2. Normal Mode Video-Graphics Processing Delay (2-D Sources) ^{(1) (2)}

FRC TYPE ⁽³⁾ (4)	SOURCE EXAMPLE	DE-INTERLACING	FRAME RATE CONVERSION (includes WARPING)	FORMATTER BUFFER	TOTAL DELAY
ASync (↑)	10-47 Hz Progressive Graphics	Disabled (0 Frame)	1 to (1 + N) Frames	N Frames	(1 + N) to (1 + 2N) Frames
SYnc (1:1)	47-120 Hz Progressive Graphics	Disabled (0 Frame)	1 Frame	1 Frame	2 Frames
ASync (↓)	63-120 Hz Progressive Graphics	Disabled (0 Frame)	0 to N Frames	N Frames	N to 2N Frames
SYnc (↑)	24-30 Hz Progressive Video	Enabled ⁽⁵⁾ (1 Frame)	1 Frame	N Frame	2 + N Frames
SYnc (1:1)	60 Hz Progressive Video	Enabled ⁽⁵⁾ (1 Frame)	1 Frame	1 Frame	3 Frames

- (1) "N" is defined to be the ratio of the Source Frame Rate (or field rate for interlaced video) to the Display Frame/Field Rate.
- (2) This table assumes that the resolution limits for input sources specified elsewhere in this document are adhered to.
- (3) "ASync" is defined as an asynchronous source
- (4) "SYnc" is defined as a synchronous source
- (5) DEI Noise Reduction Enabled

Table 7-3. Normal Mode Video-Graphics Processing Delay (3-D Sources) ^{(1) (2)}

FRC TYPE	SOURCE EXAMPLE	DE-INTERLACING	FRAME RATE CONVERSION (includes WARPING)	FORMATTER BUFFER	TOTAL DELAY
SYnc(1:4)	30 Hz Frame Sequential (30 Hz both eyes)	Disabled (0 Frame)	1 Frame	M Frames	1 + M Frames
SYnc(1:2)	60 Hz Frame Sequential (60 Hz both eyes)	Disabled (0 Frame)	1 Frame	M Frames	1 + M Frames

- (1) "M" is defined to be the ratio of the Source Frame Rate (or field rate for interlaced video) *required to obtain both the left and right image of an eye pair*, to the Display Frame/Field Rate (the rate at which each eye is displayed).
- (2) This table assumes that the resolution limits for input sources specified elsewhere in this document are adhered to.

7.3.3 V-by-One interface

The DLPC6540 Controller supports a single 8 lane V-by-One port which can be configured for 1, 2, 4 or 8 lane use. This interface supports limited lane remapping which is shown in [Table 7-4](#) . Intra-lane remapping (i.e. swapping P with N) is not supported.

Table 7-4. V-by-One Interface Lane Remapping Options

Configuration ⁽¹⁾	# of Lanes	V-by-One Port Physical Lanes #unique_15/unique_15_Connect_42_X7524							
		Lane 7	Lane 6	Lane 5	Lane 4	Lane 3	Lane 2	Lane 1	Lane 0
1	8	7	6	5	4	3	2	1	0
2	8	1	0	2	3	4	5	6	7

(1) There are two controller lane mapping options, with the option to use fewer than the full eight lanes for each of these.

Independent from the remapping of the physical V-by-One interface, the DLPC6540 supports a number of data mappings onto the actual physical interface as specified by the standard. V-by-One sources must match at least one of these mappings These are shown in [Table 7-5](#), [Table 7-6](#), [Table 7-7](#), [Table 7-8](#), [Table 7-9](#), [Table 7-10](#), [Table 7-11](#), [Table 7-12](#), [Table 7-13](#), and [Table 7-14](#).

Table 7-5. V-by-One Data Mapping for 36bpp/30bpp RGB/YCbCr 4:4:4

V-by-One Data Map Mode 0			
V-by-One Input Data Bit	36bpp RGB/YCbCr 4:4:4 ⁽¹⁾	30bpp RGB/YCbCr 4:4:4	Mapper Output
D[0]	R/Cr[4]	R/Cr[2]	B(2)
D[1]	R/Cr[5]	R/Cr[3]	B(3)
D[2]	R/Cr[6]	R/Cr[4]	B(4)
D[3]	R/Cr[7]	R/Cr[5]	B(5)
D[4]	R/Cr[8]	R/Cr[6]	B(6)
D[5]	R/Cr[9]	R/Cr[7]	B(7)
D[6]	R/Cr[10]	R/Cr[8]	B(8)
D[7]	R/Cr[11]	R/Cr[9]	B(9)
D[8]	G/Y[4]	G/Y[2]	A(2)
D[9]	G/Y[5]	G/Y[3]	A(3)
D[10]	G/Y[6]	G/Y[4]	A(4)
D[11]	G/Y[7]	G/Y[5]	A(5)
D[12]	G/Y[8]	G/Y[6]	A(6)
D[13]	G/Y[9]	G/Y[7]	A(7)
D[14]	G/Y[10]	G/Y[8]	A(8)
D[15]	G/Y[11]	G/Y[9]	A(9)
D[16]	B/Cb[4]	B/Cb[2]	C(2)
D[17]	B/Cb[5]	B/Cb[3]	C(3)
D[18]	B/Cb[6]	B/Cb[4]	C(4)
D[19]	B/Cb[7]	B/Cb[5]	C(5)
D[20]	B/Cb[8]	B/Cb[6]	C(6)
D[21]	B/Cb[9]	B/Cb[7]	C(7)
D[22]	B/Cb[10]	B/Cb[8]	C(8)
D[23]	B/Cb[11]	B/Cb[9]	C(9)
D[24]	-	-	-
D[25]	-	-	-
D[26]	B/Cb[2]	B/Cb[1]	C[0]
D[27]	B/Cb[3]	B/Cb[0]	C[1]
D[28]	G/Y[2]	G/Y[1]	A[0]
D[29]	G/Y[3]	G/Y[0]	A[1]
D[30]	R/Cr[2]	R/Cr[1]	B[0]
D[31]	R/Cr[3]	R/Cr[0]	B[1]

(1) For 36-bit inputs, the 12-bits per color truncates to 10-bits per color with the two least significant-bits per color being discarded.

Table 7-6. V-by-One Data Mapping for 27bpp RGB/YCbCr 4:4:4

V-by-One Data Map Mode 1		
V-by-One Input Data Bit	27bpp RGB/YCbCr 4:4:4 ⁽¹⁾	Mapper Output
D[0]	R/Cr[1]	B(2)
D[1]	R/Cr[2]	B(3)
D[2]	R/Cr[3]	B(4)
D[3]	R/Cr[4]	B(5)
D[4]	R/Cr[5]	B(6)
D[5]	R/Cr[6]	B(7)
D[6]	R/Cr[7]	B(8)
D[7]	R/Cr[8]	B(9)
D[8]	G/Y[1]	A(2)
D[9]	G/Y[2]	A(3)
D[10]	G/Y[3]	A(4)
D[11]	G/Y[4]	A(5)
D[12]	G/Y[5]	A(6)
D[13]	G/Y[6]	A(7)
D[14]	G/Y[7]	A(8)
D[15]	G/Y[8]	A(9)
D[16]	B/Cb[1]	C(2)
D[17]	B/Cb[2]	C(3)
D[18]	B/Cb[3]	C(4)
D[19]	B/Cb[4]	C(5)
D[20]	B/Cb[5]	C(6)
D[21]	B/Cb[6]	C(7)
D[22]	B/Cb[7]	C(8)
D[23]	B/Cb[8]	C(9)
D[24]	-	-
D[25]	-	-
'0'	-	C[0]
D[27]	B/Cb[0]	C[1]
'0'	-	A[0]
D[29]	G/Y[0]	A[1]
'0'	-	B[0]
D[31]	R/Cr[0]	B[1]

(1) For 27-bit inputs, the 9-bits for each color shifts up one bit, and the least significant bit of each color is set to '0'.

Table 7-7. V-by-One Data Mapping for 24bpp RGB/YCbCr 4:4:4

V-by-One Data Map Mode 2		
V-by-One Input Data Bit	24bpp RGB/YCbCr 4:4:4 ⁽¹⁾	Mapper Output
D[0]	R/Cr[0]	B(2)
D[1]	R/Cr[1]	B(3)
D[2]	R/Cr[2]	B(4)
D[3]	R/Cr[3]	B(5)
D[4]	R/Cr[4]	B(6)
D[5]	R/Cr[5]	B(7)
D[6]	R/Cr[6]	B(8)
D[7]	R/Cr[7]	B(9)
D[8]	G/Y[0]	A(2)
D[9]	G/Y[1]	A(3)
D[10]	G/Y[2]	A(4)
D[11]	G/Y[3]	A(5)
D[12]	G/Y[4]	A(6)
D[13]	G/Y[5]	A(7)
D[14]	G/Y[6]	A(8)
D[15]	G/Y[7]	A(9)
D[16]	B/Cb[0]	C(2)
D[17]	B/Cb[1]	C(3)
D[18]	B/Cb[2]	C(4)
D[19]	B/Cb[3]	C(5)
D[20]	B/Cb[4]	C(6)
D[21]	B/Cb[5]	C(7)
D[22]	B/Cb[6]	C(8)
D[23]	B/Cb[7]	C(9)
D[24]	-	-
D[25]	-	-
'0'	-	C[0]
'0'	-	C[1]
'0'	-	A[0]
'0'	-	A[1]
'0'	-	B[0]
'0'	-	B[1]

(1) For 24-bit inputs, the 8-bits for each color shifts up two bits, and the two least significant bits of each color are set to '0'.

Table 7-8. V-by-One Data Mapping for 32bpp/24bpp/20bpp YCbCr 4:2:2 ⁽¹⁾

V-by-One Data Map Mode 3				
V-by-One Input Data Bit	32bpp YCbCr 4:2:2 ⁽²⁾	24bpp YCbCr 4:2:2 ⁽³⁾	20bpp YCbCr 4:2:2	Mapper Output
D[0]	CbCr[8]	CbCr[4]	CbCr[2]	B(2)
D[1]	CbCr[9]	CbCr[5]	CbCr[3]	B(3)
D[2]	CbCr[10]	CbCr[6]	CbCr[4]	B(4)
D[3]	CbCr[11]	CbCr[7]	CbCr[5]	B(5)
D[4]	CbCr[12]	CbCr[8]	CbCr[6]	B(6)
D[5]	CbCr[13]	CbCr[8]	CbCr[7]	B(7)
D[6]	CbCr[14]	CbCr[10]	CbCr[8]	B(8)
D[7]	CbCr[15]	CbCr[11]	CbCr[9]	B(9)
D[8]	Y[8]	Y[4]	Y[2]	A(2)
D[9]	Y[9]	Y[5]	Y[3]	A(3)
D[10]	Y[10]	Y[6]	Y[4]	A(4)
D[11]	Y[11]	Y[7]	Y[5]	A(5)
D[12]	Y[12]	Y[8]	Y[6]	A(6)
D[13]	Y[13]	Y[9]	Y[7]	A(7)
D[14]	Y[14]	Y[10]	Y[8]	A(8)
D[15]	Y[15]	Y[11]	Y[9]	A(9)
'0'	-	-	-	C(2)
'0'	-	-	-	C(3)
'0'	-	-	-	C(4)
'0'	-	-	-	C(5)
'0'	-	-	-	C(6)
'0'	-	-	-	C(7)
'0'	-	-	-	C(8)
'0'	-	-	-	C(9)
D[24]	-	-	-	-
D[25]	-	-	-	-
'0'	-	-	-	C[0]
'0'	-	-	-	C[1]
D[28]	Y[6]	Y[2]	Y[2]	A[0]
D[29]	Y[7]	Y[3]	Y[3]	A[1]
D[30]	CbCr[6]	CbCr[2]	CbCr[2]	B[0]
D[31]	CbCr[7]	CbCr[3]	CbCr[3]	B[1]

- (1) For all YCbCr 4:2:2 formats, data channel C is forced to "0".
- (2) For 32-bit inputs, the 16-bits per color truncates to 10-bit per color, with the six least significant-bits per color discarded.
- (3) For 24-bit inputs, the 12-bits per color truncates to 10-bit per color, with the two least significant-bits per color discarded.

Table 7-9. V-by-One Data Mapping for 18bpp YCbCr 4:2:2 (1)

V-by-One Data Map Mode 4		
V-by-One Input Data Bit	18bpp YCbCr 4:2:2 (2)	Mapper Output
D[0]	CbCr[1]	B(2)
D[1]	CbCr[2]	B(3)
D[2]	CbCr[3]	B(4)
D[3]	CbCr[4]	B(5)
D[4]	CbCr[5]	B(6)
D[5]	CbCr[6]	B(7)
D[6]	CbCr[7]	B(8)
D[7]	CbCr[8]	B(9)
D[8]	Y[1]	A(2)
D[9]	Y[2]	A(3)
D[10]	Y[3]	A(4)
D[11]	Y[4]	A(5)
D[12]	Y[5]	A(6)
D[13]	Y[6]	A(7)
D[14]	Y[7]	A(8)
D[15]	Y[8]	A(9)
'0'	-	C(2)
'0'	-	C(3)
'0'	-	C(4)
'0'	-	C(5)
'0'	-	C(6)
'0'	-	C(7)
'0'	-	C(8)
'0'	-	C(9)
D[24]	-	-
D[25]	-	-
'0'	-	C[0]
'0'	-	C[1]
'0'	-	A[0]
D[29]	Y[0]	A[1]
'0'	-	B[0]
D[31]	CbCr[0]	B[1]

(1) For all YCbCr 4:2:2 formats, data channel C is forced to "0".

(2) For 18-bit inputs, the 9-bits for each color shifts up one bit, and the least significant bits of each color is set to '0'.

Table 7-10. V-by-One Data Mapping for 16bpp YCbCr 4:2:2 ⁽¹⁾

V-by-One Data Map Mode 5		
V-by-One Input Data Bit	16bpp YCbCr 4:2:2 ⁽²⁾	Mapper Output
D[0]	CbCr[0]	B(2)
D[1]	CbCr[1]	B(3)
D[2]	CbCr[2]	B(4)
D[3]	CbCr[3]	B(5)
D[4]	CbCr[4]	B(6)
D[5]	CbCr[5]	B(7)
D[6]	CbCr[6]	B(8)
D[7]	CbCr[7]	B(9)
D[8]	Y[0]	A(2)
D[9]	Y[1]	A(3)
D[10]	Y[2]	A(4)
D[11]	Y[3]	A(5)
D[12]	Y[4]	A(6)
D[13]	Y[5]	A(7)
D[14]	Y[6]	A(8)
D[15]	Y[7]	A(9)
'0'	-	C(2)
'0'	-	C(3)
'0'	-	C(4)
'0'	-	C(5)
'0'	-	C(6)
'0'	-	C(7)
'0'	-	C(8)
'0'	-	C(9)
D[24]	-	-
D[25]	-	-
'0'	-	C[0]
'0'	-	C[1]
'0'	-	A[0]
'0'	-	A[1]
'0'	-	B[0]
'0'	-	B[1]

- (1) For all YCbCr 4:2:2 formats, data channel C is forced to "0".
(2) For 16-bit inputs, the 8-bits for each color shifts up one bit, and the least significant bit of each color is set to '0'.

Table 7-11. V-by-One Data Mapping Example for 12bpp/10bpp YCbCr 4:2:0 ⁽¹⁾

V-by-One Data Map Mode 6					
V-by-One Input Data Bit	12bpp YCbCr 4:2:0 Even Line ⁽²⁾	12bpp YCbCr 4:2:0 Odd Line ⁽²⁾	10bpp YCbCr 4:2:0 Even Line	10bpp YCbCr 4:2:0 Odd Line	Mapper Output
D[0]	Y01[4]	Y01[4]	Y01[2]	Y11[2]	C(2)
D[1]	Y01[5]	Y01[5]	Y01[3]	Y11[3]	C(3)
D[2]	Y01[6]	Y01[6]	Y01[4]	Y11[4]	C(4)
D[3]	Y01[7]	Y01[7]	Y01[5]	Y11[5]	C(5)
D[4]	Y01[8]	Y01[8]	Y01[6]	Y11[6]	C(6)
D[5]	Y01[9]	Y01[9]	Y01[7]	Y11[7]	C(7)
D[6]	Y01[10]	Y01[10]	Y01[8]	Y11[8]	C(8)
D[7]	Y01[11]	Y01[11]	Y01[9]	Y11[9]	C(9)
D[8]	Y00[4]	Y00[4]	Y00[2]	Y10[2]	A(2)
D[9]	Y00[5]	Y00[5]	Y00[3]	Y10[3]	A(3)
D[10]	Y00[6]	Y00[6]	Y00[4]	Y10[4]	A(4)
D[11]	Y00[7]	Y00[7]	Y00[5]	Y10[5]	A(5)
D[12]	Y00[8]	Y00[8]	Y00[6]	Y10[6]	A(6)
D[13]	Y00[9]	Y00[9]	Y00[7]	Y10[7]	A(7)
D[14]	Y00[10]	Y00[10]	Y00[8]	Y10[8]	A(8)
D[15]	Y00[11]	Y00[11]	Y00[9]	Y10[9]	A(9)
D[16]	Cb00[4]	Cr00[4]	Cb00[2]	Cr00[2]	B(2)
D[17]	Cb00[5]	Cr00[5]	Cb00[3]	Cr00[3]	B(3)
D[18]	Cb00[6]	Cr00[6]	Cb00[4]	Cr00[4]	B(4)
D[19]	Cb00[7]	Cr00[7]	Cb00[5]	Cr00[5]	B(5)
D[20]	Cb00[8]	Cr00[8]	Cb00[6]	Cr00[6]	B(6)
D[21]	Cb00[9]	Cr00[9]	Cb00[7]	Cr00[7]	B(7)
D[22]	Cb00[10]	Cr00[10]	Cb00[8]	Cr00[8]	B(8)
D[23]	Cb00[11]	Cr00[11]	Cb00[9]	Cr00[9]	B(9)
D[24]	-	-	-	-	-
D[25]	-	-	-	-	-
D[26]	Cb00[2]	Cr00[2]	Cb00[0]	Cr00[0]	B[0]
D[27]	Cb00[3]	Cr00[3]	Cb00[1]	Cr00[1]	B[1]
D[28]	Y00[2]	Y10[2]	Y00[0]	Y10[0]	A[0]
D[29]	Y00[3]	Y10[3]	Y00[1]	Y10[1]	A[1]
D[30]	Y01[2]	Y11[2]	Y01[0]	Y11[0]	C[0]
D[31]	Y01[3]	Y11[3]	Y01[1]	Y11[1]	C[1]

- (1) For all YCbCr 4:2:0 inputs, two consecutive pixel Luma values are brought in on each clock. Even lines carry the Cb values, and odd lines carry the Cr values.
- (2) For 12bpp YCbCr 4:2:0 inputs, the 12-bits per color truncates to 10-bits per color with the two least significant-bits per color discarded.

Table 7-12. V-by-One Data Mapping Example for 8bpp YCbCr 4:2:0 ⁽¹⁾

V-by-One Data Map Mode 7			
V-by-One Input Data Bit	8bpp YCbCr 4:2:0 Even Line ⁽²⁾	8bpp YCbCr 4:2:0 Odd Line ⁽²⁾	Mapper Output
D[0]	Y01[0]	Y11[0]	C(2)
D[1]	Y01[1]	Y11[1]	C(3)
D[2]	Y01[2]	Y11[2]	C(4)
D[3]	Y01[3]	Y11[3]	C(5)
D[4]	Y01[4]	Y11[4]	C(6)
D[5]	Y01[5]	Y11[5]	C(7)
D[6]	Y01[6]	Y11[6]	C(8)
D[7]	Y01[7]	Y11[7]	C(9)
D[8]	Y00[0]	Y10[0]	A(2)
D[9]	Y00[1]	Y10[1]	A(3)
D[10]	Y00[2]	Y10[2]	A(4)
D[11]	Y00[3]	Y10[3]	A(5)
D[12]	Y00[4]	Y10[4]	A(6)
D[13]	Y00[5]	Y10[5]	A(7)
D[14]	Y00[6]	Y10[6]	A(8)
D[15]	Y00[7]	Y10[7]	A(9)
D[16]	Cb00[0]	Cr00[0]	B(2)
D[17]	Cb00[1]	Cr00[1]	B(3)
D[18]	Cb00[2]	Cr00[2]	B(4)
D[19]	Cb00[3]	Cr00[3]	B(5)
D[20]	Cb00[4]	Cr00[4]	B(6)
D[21]	Cb00[5]	Cr00[5]	B(7)
D[22]	Cb00[6]	Cr00[6]	B(8)
D[23]	Cb00[7]	Cr00[7]	B(9)
D[24]	-	-	-
D[25]	-	-	-
'0'	-	-	B[0]
'0'	-	-	B[1]
'0'	-	-	A[0]
'0'	-	-	A[1]
'0'	-	-	C[0]
'0'	-	-	C[1]

- (1) For all YCbCr 4:2:0 inputs, two consecutive pixel Luma values are brought in on each clock. Even lines carry the Cb values, and odd lines carry the Cr values.
- (2) For 8bpp YCbCr 4:2:0 inputs, the 8-bits for each color shifts up two bits, and the two least significant bits of each color are set to '0'.

Table 7-13. V-by-One Data Mapping Example for 10bpp YCbCr 4:2:0 ⁽¹⁾

V-by-One Data Map Mode 8			
V-by-One Input Data Bit	10bpp YCbCr 4:2:0 Even Line	10bpp YCbCr 4:2:0 Odd Line	Mapper Output
D[0]	Y00[2]	Y10[2]	A(2)
D[1]	Y00[3]	Y10[3]	A(3)
D[2]	Y00[4]	Y10[4]	A(4)
D[3]	Y00[5]	Y10[5]	A(5)
D[4]	Y00[6]	Y10[6]	A(6)
D[5]	Y00[7]	Y10[7]	A(7)
D[6]	Y00[8]	Y10[8]	A(8)
D[7]	Y00[9]	Y10[9]	A(9)
D[8]	Cb00[2]	Cr00[2]	B(2)
D[9]	Cb00[3]	Cr00[3]	B(3)
D[10]	Cb00[4]	Cr00[4]	B(4)
D[11]	Cb00[5]	Cr00[5]	B(5)
D[12]	Cb00[6]	Cr00[6]	B(6)
D[13]	Cb00[7]	Cr00[7]	B(7)
D[14]	Cb00[8]	Cr00[8]	B(8)
D[15]	Cb00[9]	Cr00[9]	B(9)
D[16]	Y01[2]	Y11[2]	C(2)
D[17]	Y01[3]	Y11[3]	C(3)
D[18]	Y01[4]	Y11[4]	C(4)
D[19]	Y01[5]	Y11[5]	C(5)
D[20]	Y01[6]	Y11[6]	C(6)
D[21]	Y01[7]	Y11[7]	C(7)
D[22]	Y01[8]	Y11[8]	C(8)
D[23]	Y01[9]	Y11[9]	C(9)
D[24]	-	-	-
D[25]	-	-	-
D[26]	Y01[0]	Y11[0]	C[0]
D[27]	Y01[1]	Y11[1]	C[1]
D[28]	Cb00[0]	Cr00[0]	B[0]
D[29]	Cb00[1]	Cr00[1]	B[1]
D[30]	Y00[0]	Y10[0]	A[0]
D[31]	Y00[1]	Y10[1]	A[1]

- (1) For all YCbCr 4:2:0 inputs, two consecutive pixel Luma values are brought in on each clock. Even lines carry Cb values, and odd lines carry the Cr values.

Table 7-14. V-by-One Data Mapping Example for 8bpp YCbCr 4:2:0 ⁽¹⁾

V-by-One Data Map Mode 9			
V-by-One Input Data Bit	8bpp YCbCr 4:2:0 Even Line ⁽²⁾	8bpp YCbCr 4:2:0 Odd Line ⁽²⁾	Mapper Output
D[0]	Y00[0]	Y10[0]	A(2)
D[1]	Y00[1]	Y10[1]	A(3)
D[2]	Y00[2]	Y10[2]	A(4)
D[3]	Y00[3]	Y10[3]	A(5)
D[4]	Y00[4]	Y10[4]	A(6)
D[5]	Y00[5]	Y10[5]	A(7)
D[6]	Y00[6]	Y10[6]	A(8)
D[7]	Y00[7]	Y10[7]	A(9)
D[8]	Cb00[0]	Cr00[0]	B(2)
D[9]	Cb00[1]	Cr00[1]	B(3)
D[10]	Cb00[2]	Cr00[2]	B(4)
D[11]	Cb00[3]	Cr00[3]	B(5)
D[12]	Cb00[4]	Cr00[4]	B(6)
D[13]	Cb00[5]	Cr00[5]	B(7)
D[14]	Cb00[6]	Cr00[6]	B(8)
D[15]	Cb00[7]	Cr00[7]	B(9)
D[16]	Y01[0]	Y11[0]	C(2)
D[17]	Y01[1]	Y11[1]	C(3)
D[18]	Y01[2]	Y11[2]	C(4)
D[19]	Y01[3]	Y11[3]	C(5)
D[20]	Y01[4]	Y11[4]	C(6)
D[21]	Y01[5]	Y11[5]	C(7)
D[22]	Y01[6]	Y11[6]	C(8)
D[23]	Y01[7]	Y11[7]	C(9)
D[24]	-	-	-
D[25]	-	-	-
'0'	-	-	C[0]
'0'	-	-	C[1]
'0'	-	-	B[0]
'0'	-	-	B[1]
'0'	-	-	A[0]
'0'	-	-	A[1]

- (1) For all YCbCr 4:2:0 inputs, two consecutive pixel Luma values are brought in on each clock. Even lines carry the Cb values, and odd lines carry the Cr values.
- (2) For 8bpp YCbCr 4:2:0 inputs, the 8-bits for each color shifts up two bits, and the two least significant bits of each color are set to '0'.

7.3.4 DMD (HSSI) Interface

The DLPC6540 Controller DMD interface supports two High Speed Serial Interface (HSSI) output-only interfaces for data transmission, a single low speed LVDS output-only interface for command write transactions, as well as a low speed single-ended input interface used for command read transactions. Each HSSI port supports full data-only inter-lane remapping within the port, but not between ports. When utilizing this feature, each unique data lane pair can only be mapped to one unique destination data lane pair, and Intra-lane remapping (i.e. swapping P with N) is not supported. In addition, the two HSSI ports can also be swapped. Lane and port remapping (specified in flash) can help with board layout as needed. The number of HSSI ports and number of HSSI lanes/per HSSI port required are based on DMD type and DMD display resolution. [Table 7-15](#) shows some remapping examples. When both ports are used, they do not need to have the same pin mapping.

Table 7-15. Controller to DMD Pin Mapping Examples

DLPC6540 Controller PINS - REMAPPING EXAMPLES TO DMD PINS				
BASELINE	FLIP HSSI0 180 No FLIP HSSI1	SWAP HSSI0 PORT WITH HSSI1 PORT	SWAP HSSI0 PORT WITH HSSI1 PORT AND MIXED REMAPPING	DMD PINS
DMD_HSSI0_D0_P DMD_HSSI0_D0_N	DMD_HSSI0_D7_P DMD_HSSI0_D7_N	DMD_HSSI1_D0_P DMD_HSSI1_D0_N	DMD_HSSI1_D2_P DMD_HSSI1_D2_N	DMD_HSSI0_D0_P DMD_HSSI0_D0_N
DMD_HSSI0_D1_P DMD_HSSI0_D1_N	DMD_HSSI0_D6_P DMD_HSSI0_D6_N	DMD_HSSI1_D1_P DMD_HSSI1_D1_N	DMD_HSSI1_D3_P DMD_HSSI1_D3_N	DMD_HSSI0_D1_P DMD_HSSI0_D1_N
DMD_HSSI0_D2_P DMD_HSSI0_D2_N	DMD_HSSI0_D5_P DMD_HSSI0_D5_N	DMD_HSSI1_D2_P DMD_HSSI1_D2_N	DMD_HSSI1_D0_P DMD_HSSI1_D0_N	DMD_HSSI0_D2_P DMD_HSSI0_D2_N
DMD_HSSI0_D3_P DMD_HSSI0_D3_N	DMD_HSSI0_D4_P DMD_HSSI0_D4_N	DMD_HSSI1_D3_P DMD_HSSI1_D3_N	DMD_HSSI1_D1_P DMD_HSSI1_D1_N	DMD_HSSI0_D3_P DMD_HSSI0_D3_N
DMD_HSSI0_D4_P DMD_HSSI0_D4_N	DMD_HSSI0_D3_P DMD_HSSI0_D3_N	DMD_HSSI1_D4_P DMD_HSSI1_D4_N	DMD_HSSI1_D6_P DMD_HSSI1_D6_N	DMD_HSSI0_D4_P DMD_HSSI0_D4_N
DMD_HSSI0_D5_P DMD_HSSI0_D5_N	DMD_HSSI0_D2_P DMD_HSSI0_D2_N	DMD_HSSI1_D5_P DMD_HSSI1_D5_N	DMD_HSSI1_D7_P DMD_HSSI1_D7_N	DMD_HSSI0_D5_P DMD_HSSI0_D5_N
DMD_HSSI0_D6_P DMD_HSSI0_D6_N	DMD_HSSI0_D1_P DMD_HSSI0_D1_N	DMD_HSSI1_D6_P DMD_HSSI1_D6_N	DMD_HSSI1_D4_P DMD_HSSI1_D4_N	DMD_HSSI0_D6_P DMD_HSSI0_D6_N
DMD_HSSI0_D7_P DMD_HSSI0_D7_N	DMD_HSSI0_D0_P DMD_HSSI0_D0_N	DMD_HSSI1_D7_P DMD_HSSI1_D7_N	DMD_HSSI1_D5_P DMD_HSSI1_D5_N	DMD_HSSI0_D7_P DMD_HSSI0_D7_N
DMD_HSSI1_D0_P DMD_HSSI1_D0_N	DMD_HSSI1_D0_P DMD_HSSI1_D0_N	DMD_HSSI0_D0_P DMD_HSSI0_D0_N	DMD_HSSI0_D6_P DMD_HSSI0_D6_N	DMD_HSSI1_D0_P DMD_HSSI1_D0_N
DMD_HSSI1_D1_P DMD_HSSI1_D1_N	DMD_HSSI1_D1_P DMD_HSSI1_D1_N	DMD_HSSI0_D1_P DMD_HSSI0_D1_N	DMD_HSSI0_D7_P DMD_HSSI0_D7_N	DMD_HSSI1_D1_P DMD_HSSI1_D1_N
DMD_HSSI1_D2_P DMD_HSSI1_D2_N	DMD_HSSI1_D2_P DMD_HSSI1_D2_N	DMD_HSSI0_D2_P DMD_HSSI0_D2_N	DMD_HSSI0_D4_P DMD_HSSI0_D4_N	DMD_HSSI1_D2_P DMD_HSSI1_D2_N
DMD_HSSI1_D3_P DMD_HSSI1_D3_N	DMD_HSSI1_D3_P DMD_HSSI1_D3_N	DMD_HSSI0_D3_P DMD_HSSI0_D3_N	DMD_HSSI0_D5_P DMD_HSSI0_D5_N	DMD_HSSI1_D3_P DMD_HSSI1_D3_N
DMD_HSSI1_D4_P DMD_HSSI1_D4_N	DMD_HSSI1_D4_P DMD_HSSI1_D4_N	DMD_HSSI0_D4_P DMD_HSSI0_D4_N	DMD_HSSI0_D2_P DMD_HSSI0_D2_N	DMD_HSSI1_D4_P DMD_HSSI1_D4_N
DMD_HSSI1_D5_P DMD_HSSI1_D5_N	DMD_HSSI1_D5_P DMD_HSSI1_D5_N	DMD_HSSI0_D5_P DMD_HSSI0_D5_N	DMD_HSSI0_D3_P DMD_HSSI0_D3_N	DMD_HSSI1_D5_P DMD_HSSI1_D5_N
DMD_HSSI1_D6_P DMD_HSSI1_D6_N	DMD_HSSI1_D6_P DMD_HSSI1_D6_N	DMD_HSSI0_D6_P DMD_HSSI0_D6_N	DMD_HSSI0_D0_P DMD_HSSI0_D0_N	DMD_HSSI1_D6_P DMD_HSSI1_D6_N
DMD_HSSI1_D7_P DMD_HSSI1_D7_N	DMD_HSSI1_D7_P DMD_HSSI1_D7_N	DMD_HSSI0_D7_P DMD_HSSI0_D7_N	DMD_HSSI0_D1_P DMD_HSSI0_D1_N	DMD_HSSI1_D7_P DMD_HSSI1_D7_N

7.3.5 Program Memory Flash Interface

The DLPC6540 provides three external program memory chip selects for devices to access the program memory interface. These are detailed in [Table 7-16](#).

Table 7-16. Program Memory Interface Chip Selects

CHIP SELECT NAME	CHIP SELECT USE	DATA BUS WIDTH	ACCESS TIME	MAXIMUM SIZE SUPPORTED ⁽¹⁾
PM_CSZ_0	Boot FLASH only - Required ⁽²⁾	16 bits	< = 120ns	256Mb
PM_CSZ_1	Additional Peripheral Device (or additional FLASH) - Optional	16 bits	< = 120ns	256Mb
PM_CSZ_2	Additional Peripheral Device - Optional	16 bits	< = 120ns	256Mb

(1) Using GPIO_47 as additional address bit

(2) Boot FLASH type supported is *Standard NOR parallel FLASH*, single or multi-bank.

FLASH access timing is software programmable with up to 31 wait states. Additional information about read and write wait state timing is provided in [Table 7-17](#) and [Figure 7-2](#).

Table 7-17. Program Memory Wait State Timing

PARAMETER	EQUATION ⁽¹⁾
T _{WSR} : Wait State Resolution	6ns
Read Wait States (Number of Read Wait States for each CSz read access)	ROUNDUP(MAX(T _{ACC} , T _{CE} , T _{OE})/T _{WSR-N}) ^{(2) (3)}
Write Wait States for T _{CS} and T _{AS} (Time from CS/Address activation to WRZ assertion)	ROUNDUP(MAX(T _{CS} +5ns, T _{AS} +5ns)/T _{WSR-N}) ⁽²⁾
Write Wait States for T _{WP} and T _{DS} (Time from WRZ assertion to WEZ de-assertion)	ROUNDUP(MAX(T _{WP} +5ns, T _{DS} +5ns)/T _{WSR-N}) ⁽²⁾
Write Wait States for T _{CH} and T _{DH} (Time from CS/Address activation to WRZ assertion)	ROUNDUP(MAX(T _{CH} +5ns, T _{DH} +5ns)/T _{WSR-N}) ⁽²⁾

- (1)
- T_{ACC}: Read Access Time (ADDR to DATA valid) – (address valid to DATA valid)
 - T_{CE}: Read Access Time (CSZ to DATA valid) – (chip select active to DATA valid)
 - T_{OE}: Read Access Time (OEZ to DATA valid) – (output enable active to DATA valid)
 - T_{CS}: CSZ Setup Time (Writes) – (chip select active before negedge(WEZ))
 - T_{CS}: Address Setup Time (Writes) – (address valid before negedge(WEZ))
 - T_{AS}: Address Setup Time (Writes) – (address valid before negedge(WEZ))
 - T_{WP}: Write Pulse Width (Writes) – (WEZ active low time)
 - T_{DS}: Data Setup Time (Writes) – (DATA valid before posedge(WEZ))
 - T_{CH}: CSZ Hold Time (Writes) – (CSZ held active after posedge(WEZ))
 - T_{DH}: Data Hold Time (Writes) – (DATA held valid after posedge(WEZ))

(2) Requires a minimum of at least 1 wait state

(3) Assumes a maximum single direction trace length of 90 mm (3.5 inches)

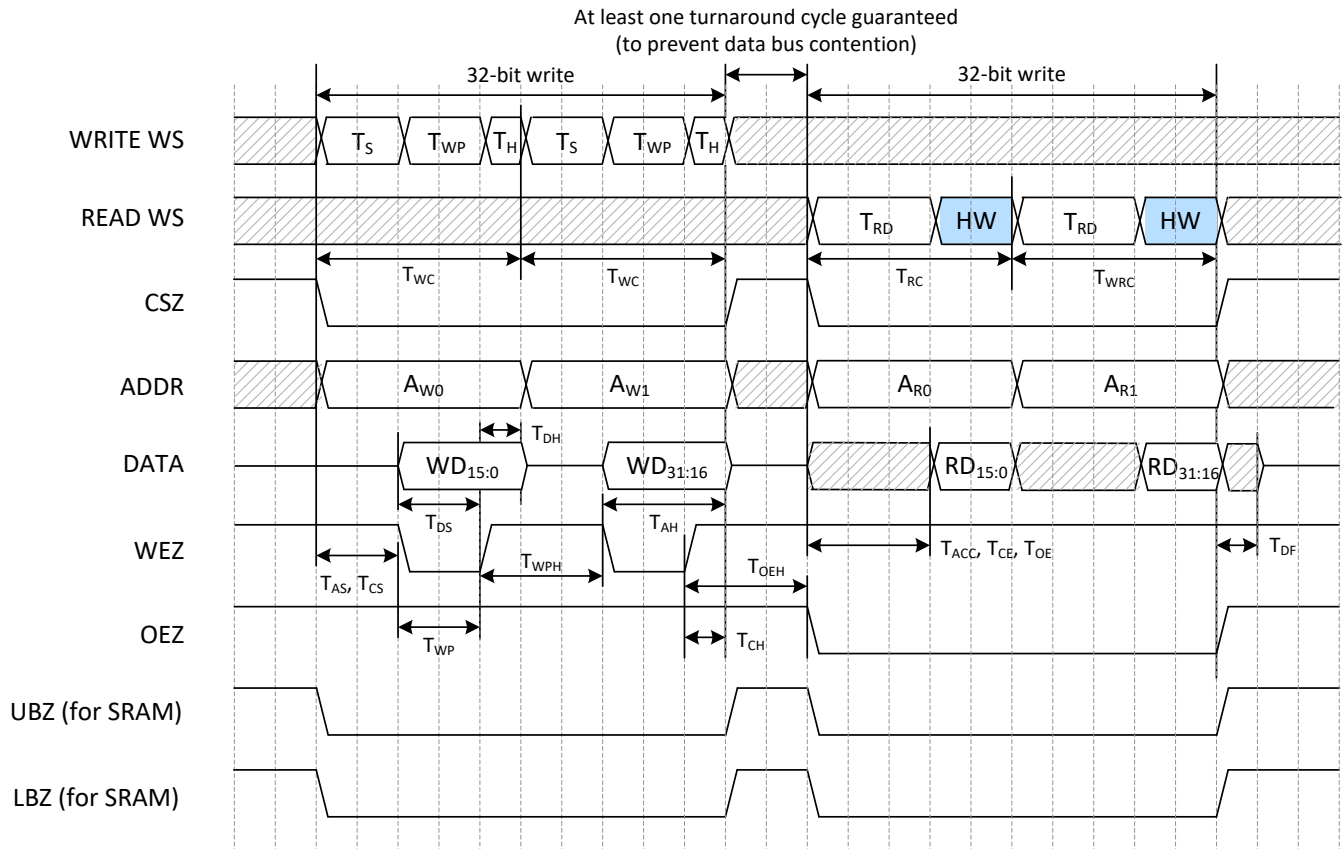


Figure 7-2. Program Memory Interface Timing Diagram

7.3.6 GPIO Supported Functionality

The DLPC6540 provides 88 general purpose I/O that are available to support a variety of functions for many different product configurations. In general, most of these I/O pins support only one specific function based on a specific product configuration, although that function may be different for a different product configurations. Most of these I/O can also be made available for TI test and debug use. Each of the following GPIO tables provide product specific details on the allocated use of each of the GPIO for a specific supported product configuration.

Table 7-18. GPIO Supported Functionality - LED with DLPA3005 (1)

GPIO	SIGNAL NAME	DESCRIPTION
GPIO_00	SSP1_SCLK (I)	SSP Master or Slave
GPIO_01	SSP1_DI (I)	SSP Master or Slave
GPIO_02	SSP1_DO (O)	SSP Master or Slave
GPIO_03	SSP1_CSZ0 (I)	SSP Master or Slave
GPIO_04	SSP1_CSZ1 (I)	SSP Master or Slave
GPIO_05	SSP1_CSZ2 (I)	SSP Master or Slave
GPIO_06	SAS_CLK (O)	
GPIO_07	SAS_DI (I)	
GPIO_08	SAS_DO (O)	
GPIO_09	SAS_CSZ (O)	
GPIO_10	SAS_INTGTR_EN (O)	
GPIO_11	IIC1_SCL (B)	
GPIO_12	IIC1_SDA (B)	
GPIO_13	UART1_TXD (O)	
GPIO_14	UART1_RXD (I)	
GPIO_15	UART1_CTSZ (I)	
GPIO_16	UART1_RTSZ (O)	
GPIO_17	General Purpose Input/Output	Available for general host use via Host Commands
GPIO_18	IR0 (I)	
GPIO_19	IR1 (I)	
GPIO_20	PWM-IN0 (I)	
GPIO_21	PWM-IN1 (I)	
GPIO_22	3D LR (I)	For 3D applications: Left or right 3D reference (left = 1, right = 0). To be provided by the host when a 3D command is not provided. Must transition in the middle of each frame (no closer than 1 ms to the active edge of VSYNC)
GPIO_23	LL_FAULT (O)	
GPIO_24	LEDSEL_0 (O)	
GPIO_25	LEDSEL_1 (O)	
GPIO_26	General Purpose Input/Output	Available for general host use via Host Commands
GPIO_27	General Purpose Input/Output	Available for general host use via Host Commands
GPIO_28	Heartbeat (O)	
GPIO_29	General Purpose Input/Output	Available for general host use via Host Commands
GPIO_30	VBIAS_MON (I)	
GPIO_31	HDMI_CEC (B)	
GPIO_32	IIC2_SCL (B)	
GPIO_33	IIC2_SDA (B)	
GPIO_34	WRP_TRIG_OUT (O)	
GPIO_35	DAO_DO_0 (O)	
GPIO_36	DAO_DO_1 (O)	
GPIO_37	DAO_CLKOUT (O)	
GPIO_38	HBT_DO (O)	
GPIO_39	HBT_CLKOUT (O)	
GPIO_40	SSP2_SCLK (I)	SSP Master
GPIO_41	SSP2_DI (I)	SSP Master
GPIO_42	SSP2_DO (O)	SSP Master

Table 7-18. GPIO Supported Functionality - LED with DLPA3005 (1) (continued)

GPIO	SIGNAL NAME	DESCRIPTION
GPIO_43	SSP2_CSZ0 (I)	SSP Master
GPIO_44	SSP2_CSZ1 (I)	SSP Master
GPIO_45	SSP2_CSZ2 (I)	SSP Master
GPIO_46	General Purpose Input/Output	Available for general host use via Host Commands
GPIO_47	PM_ADDR_23 (O)	
GPIO_48	USB OTG Charge Pump Enable (O)	
GPIO_49	SSP0_CSZ4 (O)	DLPA3005
GPIO_50	SSP0_CSZ3 (O)	
GPIO_51	General Purpose Input/Output	Available for general host use via Host Commands
GPIO_52	LED_Enable (O)	
GPIO_53	General Purpose Input/Output	Available for general host use via Host Commands
GPIO_54	General Purpose Input/Output	Available for general host use via Host Commands
GPIO_55	General Purpose Input/Output	Available for general host use via Host Commands
GPIO_56	General Purpose Input/Output	Available for general host use via Host Commands
GPIO_57	General Purpose Input/Output	Available for general host use via Host Commands
GPIO_58	I2C_BUSY (O)	
GPIO_59	General Purpose Input/Output	Available for general host use via Host Commands
GPIO_60	General Purpose Input/Output	Available for general host use via Host Commands
GPIO_61	General Purpose Input/Output	Available for general host use via Host Commands
GPIO_62	General Purpose Input/Output	Available for general host use via Host Commands
GPIO_63	PROJ_ON (I)	
GPIO_64	HOLD_BOOTZ (I)	
GPIO_65	4 way XPR (O)	
GPIO_66	4 way XPR (O)	
GPIO_67	4 way XPR (O)	
GPIO_68	4 way XPR (O)	
GPIO_69	4 way XPR (O)	
GPIO_70	4 way XPR (O)	
GPIO_71	4 way XPR (O)	
GPIO_72	4 way XPR (O)	
GPIO_73	4 way XPR (O)	
GPIO_74	4 way XPR (O)	
GPIO_75	4 way XPR (O)	
GPIO_76	4 way XPR (O)	
GPIO_77	General Purpose Input/Output	Available for general host use via Host Commands
GPIO_78	General Purpose Input/Output	Available for general host use via Host Commands
GPIO_79	General Purpose Input/Output	Available for general host use via Host Commands
GPIO_80	General Purpose Input/Output	Available for general host use via Host Commands
GPIO_81	General Purpose Input/Output	Available for general host use via Host Commands
GPIO_82	General Purpose Input/Output	Available for general host use via Host Commands
GPIO_83	General Purpose Input/Output	Available for general host use via Host Commands
GPIO_84	General Purpose Input/Output	Available for general host use via Host Commands
GPIO_85	General Purpose Input/Output	Available for general host use via Host Commands
GPIO_86	General Purpose Input/Output	Available for general host use via Host Commands

Table 7-18. GPIO Supported Functionality - LED with DLPA3005 (1) (continued)

GPIO	SIGNAL NAME	DESCRIPTION
GPIO_87	General Purpose Input/Output	Available for general host use via Host Commands

- (1) All GPIO that are listed as General Purpose Input/Output must be configured as an input, a standard output, or an open-drain output. This is set in the flash configuration. It is suggested that all unused General Purpose Input/Output GPIO should be configured as a logic zero output and be left unconnected, otherwise an external pull-up or pull-down will be required to avoid a floating input. It should be noted that the reset default for all GPIO is as an input signal. It should also be noted that an external pull-up ($\leq 10k\Omega$) is required for each signal configured as open-drain output.

7.3.7 Debug Support

The DLPC6540 contains a test point output port, TSTPT_(7:0), which provides the Host with the ability to provide for Controller debug support. For initial debug operation, the four signals (TSTPT(3:0)) are sampled as inputs approximately 1.5 μ s after PWRGOOG goes high (or after a system reset). Once their input state has been sampled and captured, this information is used to setup the initial test mode output state of the TSTPS_(7:0) bus. Table 7-19 defines the test mode selection for a few programmable output states for TSTPT_(7:0). Use the default state of 0000 (defined by the required external pulldown resistors) for normal operation (that is, no debug required).

To allow TI to make use of this debug capability, providing for the option of a jumper to an external pullup is recommended for TSTPT(3:0), as well as providing access to allow observation of the TSTPT bus outputs.

Table 7-19. Examples of Test Mode Selection Outputs Defined by TSTPT(3:0) (1)

TSTPT_(7:0) OUTPUT	TST{T(3:0) CAPTURED VALUES		
	0000 (DEFAULT) (NO SWITCHING ACTIVITY)	0101 CLOCK DEBUG	1000 SYSTEM CALIBRATION
TSTPT(0)	0	HIGH	Vertical Sync
TSTPT(1)	0	166.25 MHz	Delayed CW Index
TSTPT(2)	0	83.13 MHz	Sequence Index
TSTPT(3)	0	41.56 MHz	CW Spoke Test Point
TSTPT(4)	0	10.39 MHz	CW Revolution Test Point
TSTPT(5)	0	25.16 MHz	Reset Sequence Aux Bit 0
TSTPT(6)	0	133.00 MHz	Reset Sequence Aux Bit 1
TSTPT(7)	0	HIGH	Reset Sequence Aux Bit 2

- (1) These are only the default output selections. Software can reprogram the selection at any time.

7.4 Device Operational Modes

The DLPC6540 has two operational modes which are enabled via software command via the Host control interface. These modes are Standby and Active.

7.4.1 Standby Mode

The system is powered up and active, however, most blocks within the Controller have been shut down to conserved power. Only the μ Processor and its peripherals are active (supporting a dormant projector waiting to be woken up). In this mode the DMD is parked and no image can be displayed.

7.4.2 Active Mode

The system is powered up and fully operational, capable of projecting internal or external source images.

7.4.2.1 Normal Configuration

This configuration enables the full functionality of the DLPC6540.

8 Application and Implementation

Note

Information in the following applications sections is not part of the TI component specification, and TI does not warrant its accuracy or completeness. TI's customers are responsible for determining suitability of components for their purposes. Customers should validate and test their design implementation to confirm system functionality.

8.1 Application Information

The DLPC6540 display controller is part of the DLP471TP chipset. The controller integrates all system image processing and control and DMD data formatting onto a single integrated circuit (IC). It supports LED illumination systems, and it also includes multiple image processing algorithms such as DynamicBlack. Applications of interest include 4K UHD display applications, Mobile smart TV, digital signage and commercial gaming.

8.2 Typical Application

The DLPC6540 controller works for applications requiring high brightness and high resolution displays. DLPC6540 display controller is combined with the DLP471TP DMD, LED power management device DLPA3005 and other electrical, optical and mechanical components, the chipset enables bright, affordable, full 4K UHD display solutions. A typical 4K UHD system application using the DLPC6540 controllers and DLP471TP DMD is shown here

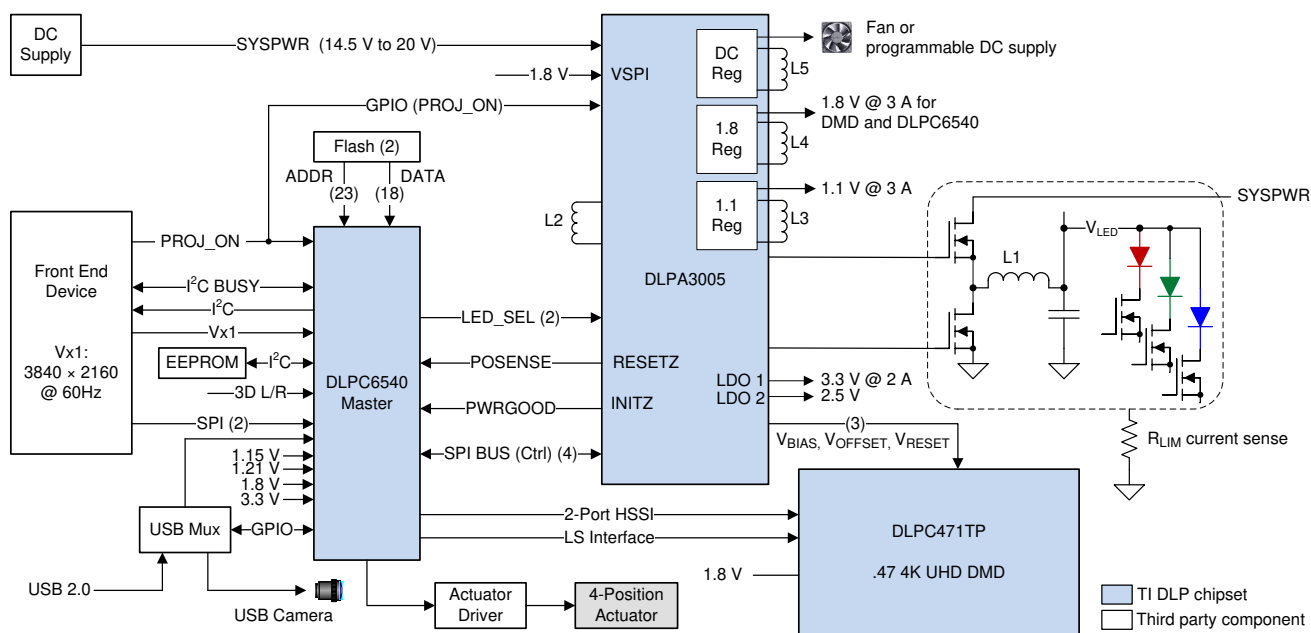


Figure 8-1. Typical 4K UHD DLPA3005 Display Application

8.2.1 Design Requirements

The display controller is the digital interface between the DMD and the rest of the system. The display controller takes digital V-by-One input from front end receiver and drives the DMD over a high speed interface. The display controller also generates the necessary signals (data, protocols, timings) required to display images on the DMD. Reliable operation of the DMD is only insured when the DMD and the controller are used together in a system. In addition to the DLP devices in the chipset, other devices may be needed. Typically, a Flash part is needed to store the software and firmware and power supply management part required to power the DMD and the controller.

8.2.2 Detailed Design Procedure

For connecting the DLPC6540 controller and the DLP471TP DMD together, see the reference design schematic. Layout guidelines should be followed to achieve a reliable projector. To complete the DLP system, an optical module or light engine is required that contains the DLP471TP DMD, associated illumination sources, optical elements, and necessary mechanical components.

9 Power Supply Recommendations

9.1 Power Supply Management

The DLPA3005 manages power for the DLPC6540 and DMD. See [Section 6.12](#) for all power sequencing and timing requirements.

9.2 Hot Plug Usage

While the V-by-One, FPD-Link, and USB interfaces support hot plug usage (i.e. these interfaces can be connected and disconnected while the DLPC6540 is powered), the controller itself (and any DMD connected to the system) do not support Hot Plug use. As such, power down the system prior to removing the controller or DMD from any system.

9.3 Power Supplies for Unused Input Source Interfaces

While certain product configurations may not offer or make use of all of the available input source interfaces (e.g. V-by-One, FPD-Link), *the power supplies that are associated with these unused input source interfaces must still be provided as if the interface was actually being used.* The only concession is that the ferrite based isolation filters for these supplies can be simplified down to simple de-coupling caps.

9.4 Power Supplies

9.4.1 1.15-V Power Supplies

The DLPC6540 can support a low cost power delivery system with a single 1.15-V power source derived from a switching regulator. To enable this approach, provide typical bulk (e.g. 10 μ F, 22 μ F) and high frequency (e.g. 0.1 μ F) filtering for the core 1.15-V power rail (VDD115). Ensure that the the high-frequency capacitors are evenly distributed amongst the power balls and that they are placed as close to the power balls as possible. Additional filtering must be provided for each of the uniquely defined 1.15-V power pins (e.g. VDD115_PLLMA, VAD115VX1). Filtering for the unique power pins is discussed further in [Section 10.1](#) of this document.

9.4.2 1.21V Power Supply

The DLPC6540 can support a low cost power delivery system with a single 1.21V power source derived from a switching regulator. To enable this approach, provide typical bulk (e.g. 10 μ F, 22 μ F) and high frequency (e.g. 0.1 μ F) filtering for the 1.21-V power rail (VDD121_SCS). Place the high-frequency filtering capacitors as close as possible to the VDD121_SCS power balls.

9.4.3 1.8-V Power Supplies

The DLPC6540 can support a low cost power delivery system with a single 1.8-V power source derived from a switching regulator. To enable this approach, appropriate filtering must be provided for each of the uniquely defined 1.8-V power pins (e.g. VDD18_PLLMA, VAD18_VX1). See [Section 10.1](#) for more information.

9.4.4 3.3-V Power Supplies

The DLPC6540 can support a low cost power delivery system with a single 3.3-V power source derived from a switching regulator. To enable this approach, provide typical bulk (e.g. 10 μ F, 22 μ F) and high frequency (e.g. 0.1 μ F) filtering for the main 3.3-V I/O power rail (VDD33). Ensure that the the high-frequency capacitors are evenly distributed amongst the power balls and that they are placed as close to the power balls as possible. Additional filtering must be provided for each of the uniquely defined 3.3-V power pins (e.g. VAD33_USB, VDD33_FPD). This is discussed further in [Section 10.1](#) of the document.

10 Layout

10.1 Layout Guidelines

10.1.1 General Layout Guidelines

In order to meet the thermal loads associated with the DLPC6540, TI recommends the following enhanced PCB design parameters.

- A minimum of 4 power and ground planes
 - Power layers: 1-oz. copper; Ground layers: 2-oz. copper
 - Copper coverage: 90%
 - Top and bottom signal layers: minimum 0.5-oz copper
 - Internal signal layers: 1-oz copper
- Thermal copper ground planes beneath the thermal ball array of package containing a via farm with the following attributes
 - Thermal via quantity to ground plane = 64 (as 8x8 array)
 - Thermal via size = 0.229mm - 0.25 mm (9mils - 10 mils)
 - Thermal via plating thickness = 0.025 mm (1 mil) wall thickness

For signal integrity reasons, FR370HR or equivalent high performance epoxy laminate and prepreg is also recommended.

10.1.2 Power Supply Layout Guidelines

The following filtering circuits are recommended for the power supply inputs listed below.

- VAD115_VX1
- VAD18_VX1
- VAD115_FPD
- VDD33_FPD
- VAD33_USB
- VDD18_SCS

Since the PBC layout is critical to the performance of the interfaces associated with these power supplies, it is vital that these power supplies be treated like an analog signal. Specifically:

- Place high-frequency components (such as ferrites and capacitors) as close to the power ball(s) as possible.
- Choose high-frequency ceramic capacitors (such as those with a value of 0.1 μF , 0.01 μF , and 100 nF) that have low ESR and ESL values. Design the leads as short as possible, and as such, it is recommended that these capacitors be placed under the package on the opposite side of the board..
- For each power pin, a single trace (as wide as possible) must be used from the controller to the capacitor and then through the series ferrite to the power source.
- For each power pin, add a 100-nF decoupling capacitor placed near the escape via. Add this decoupling capacitance to the capacitance recommended for filters. These are minimum recommendations, so different layouts may require additional capacitance.
- See [Table 10-1](#) for the recommended series ferrite component for these supplies.

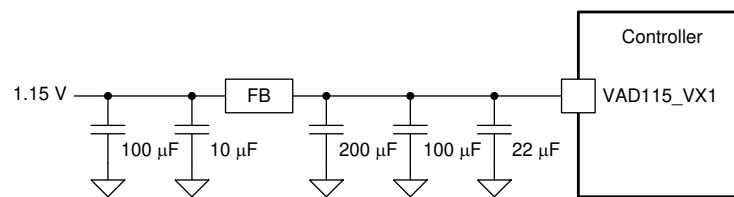


Figure 10-1. VAD115_VX1 (V-by-One) Recommended Filter

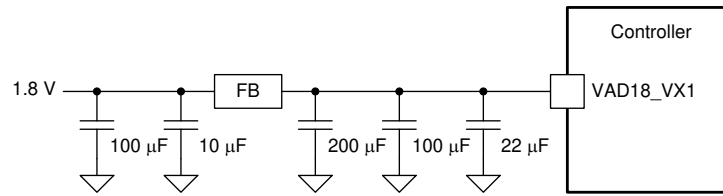


Figure 10-2. VAD18_VX1 (V-by-One) Recommended Filter

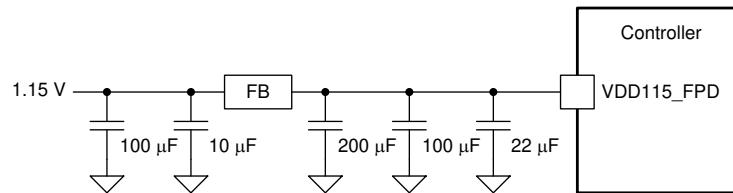


Figure 10-3. VAD115_FPD (FPD-Link) Recommended Filter

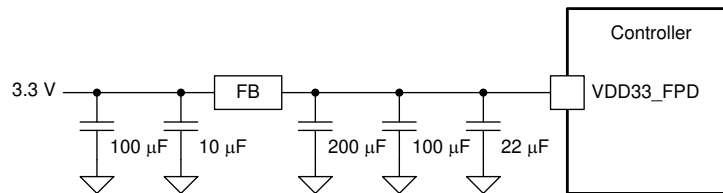


Figure 10-4. VDD33_FPD (FPD-Link) Recommended Filter

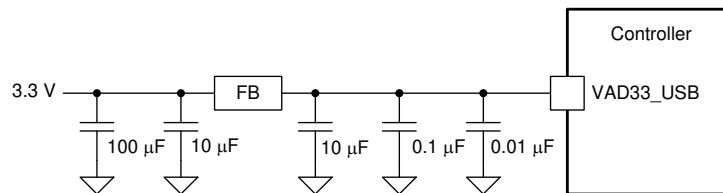


Figure 10-5. VAD33_USB (USB) Recommended Filter

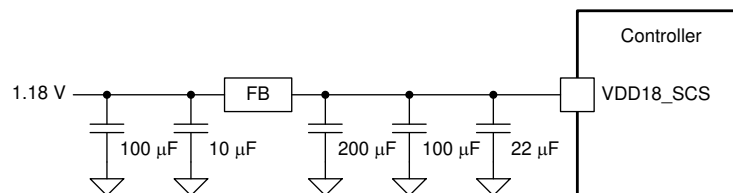


Figure 10-6. VDD18_SCS (SCS DRAM) Recommended Filter

10.1.3 Layout Guidelines for Internal Controller PLL Power

The following guidelines are recommended to achieve the desired Controller performance relative to the internal PLLs. The DLPC6540 contains multiple internal PLLs which have dedicated 1.15-V supply pins and 1.8-V supply pins which are listed below:

- VDD115_PLLMA
- VDD115_PLLMB
- VAD115_PLLS

- VAD115_HSSI0_PLL
- VAD115_HSSI1_PLL

and

- VAD18_PLLMA
- VAD18_PLLMB

It is important that each of these 1.15-V and 1.8-V supply pins have individual high frequency filtering in the form of a ferrite bead and a 0.1- μ F ceramic capacitor. Ensure that the impedance of the ferrite bead is much greater than that of the capacitor at frequencies above 10 MHz. Locate these components very close to the individual PLL power supply balls. Recommended values, topology, and layout examples are shown in [Table 10-1](#), [Figure 10-7](#) and [Figure 10-8](#), and [Figure 10-9](#) respectively.

Table 10-1. Recommended PLL and Crystal Power Supply Filter Components

COMPONENT	PARAMETER	RECOMMENDED VALUE	UNIT
Shunt capacitor	Capacitance	0.1	μ F
Series ferrite	Impedance at 100 MHz	> 100	Ω
	DC Resistance	< 0.40	Ω

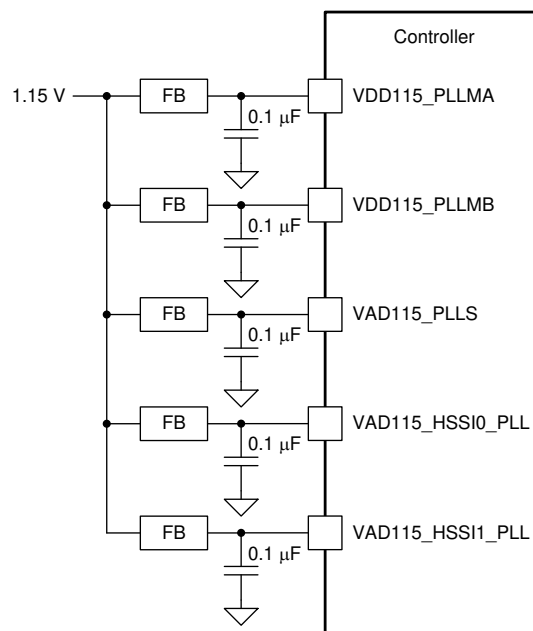


Figure 10-7. 1.15-V PLL Power Supply Filter Topology

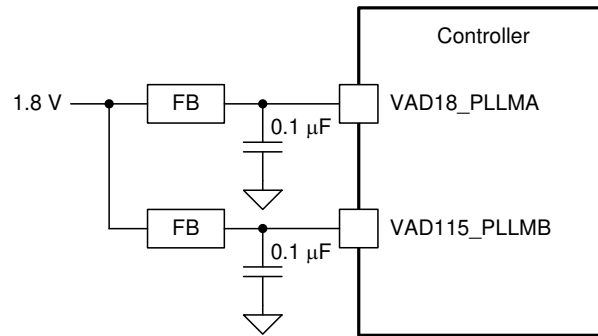


Figure 10-8. 1.8-V PLL Power Supply Filter Topology

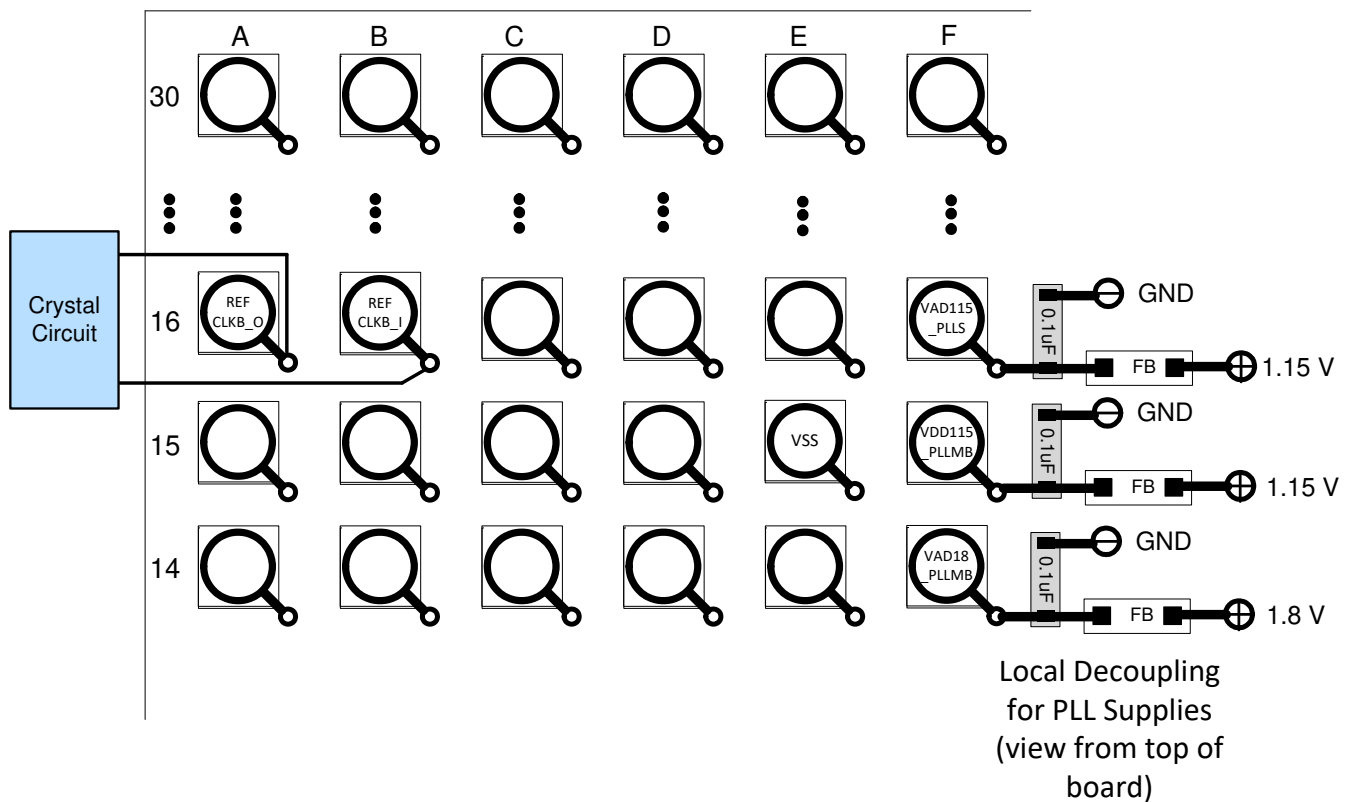


Figure 10-9. PLL Power Supply Filter Layout Examples

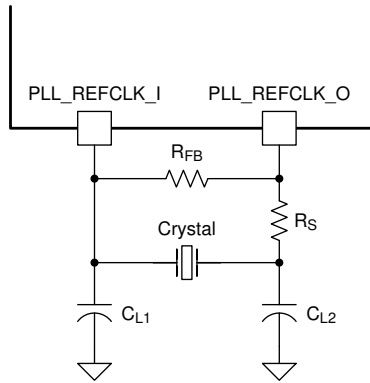
Since the PCB layout is critical to PLL performance, it is vital that the PLL power is treated like an analog signal. Additional design guidelines are as follows:

- Place all filter components as close as possible to each of the PLL supply package pins.
- Keep the leads of the high-frequency capacitors as short as possible, and as such, it is recommended that these capacitors be placed under the package on the opposite side of the board.
- Use a surface mount capacitor that is of high quality, low ESR, and monolithic.

- For each PLL power pin, a single trace (as wide as possible) must be used from the DLPC6540 to the capacitor and then through the series ferrite to the power source.

10.1.4 Layout Guideline for DLPC6540 Reference Clock

The DLPC6540 requires two external reference clocks to feed its internal PLLs. A crystal or oscillator can supply these references. The recommended crystal configurations and reference clock frequencies are listed in [Table 10-2](#), with additional required discrete components shown in [Figure 10-10](#) and defined in [Table 10-2](#).



C_L = Crystal load capacitance
 R_{FB} = Feedback Resistor

Figure 10-10. Discrete Components Required for Crystal

10.1.4.1 Recommended Crystal Oscillator Configuration

Table 10-2. Recommended Crystal Configurations

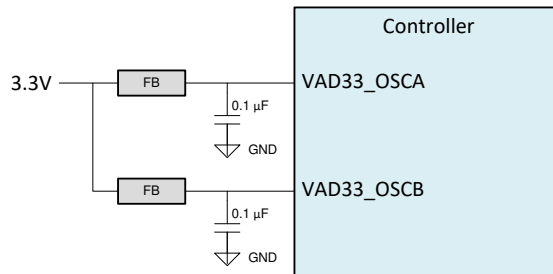
PARAMETER	CRYSTAL A	CRYSTAL B	UNIT
Crystal circuit configuration	Parallel resonant	Parallel resonant	
Crystal type	Fundamental (first harmonic)	Fundamental (first harmonic)	
Crystal nominal frequency	40	38	MHz
Crystal frequency tolerance ⁽¹⁾	±100 (200 p-p max)	±100 (200 p-p max)	PPM
Crystal equivalent series resistance (ESR)	60 (Max)	60 (Max)	Ω
Crystal load capacitance	20 (Max)	20 (Max)	pF
Crystal Shunt Load capacitance	7 (Max)	7 (Max)	pF
Temperature range	-40°C to +85°C	-40°C to +85°C	°C
Drive level	100 (Nominal)	100 (Nominal)	μW
R_{FB} feedback resistor (nominal)	1Meg (Nominal)	1Meg (Nominal)	Ω
C_{L1} external crystal load capacitor	See equation in ⁽²⁾	See equation in ⁽²⁾	pF
C_{L2} external crystal load capacitor	See equation in ⁽³⁾	See equation in ⁽³⁾ ⁽³⁾	pF
PCB layout	A ground isolation ring around the crystal is recommended	A ground isolation ring around the crystal is recommended	

- Crystal frequency tolerance to include accuracy, temperature, aging, and trim sensitivity. These are typically specified separately and the sum of all required to meet this requirement.
- $CL1 = 2 \times (CL - C_{stray_pll_refclk_i})$, where: $C_{stray_pll_refclk_i}$ = Sum of package and PCB stray capacitance at the crystal pin associated with the Controller pin REFCLKx_I. See [Table 10-3](#).
- $CL2 = 2 \times (CL - C_{stray_pll_refclk_o})$, where: $C_{stray_pll_refclk_o}$ = Sum of package and PCB stray capacitance at the crystal pin associated with the Controller pin REFCLKx_O. See [Table 10-3](#).

Table 10-3. Crystal Pin Capacitance

PARAMETER		MIN	NOM	MAX	Units
Cstray_pll_refclkA_i	Sum of package and PCB stray capacitance at REFCLKA_I		4.5		pF
Cstray_pll_refclkA_o	Sum of package and PCB stray capacitance at REFCLKA_O		4.5		pF
Cstray_pll_refclkB_i	Sum of package and PCB stray capacitance at REFCLKB_I		4.5		pF
Cstray_pll_refclkB_o	Sum of package and PCB stray capacitance at REFCLKB_O		4.5		pF

The crystal circuits in the DLPC6540 have dedicated power (VAD33_OSCA and VAD33_OSCB) pins, with the recommended filtering for each shown in [Figure 10-11](#), and recommended values shown in [Table 10-1](#)

**Figure 10-11. Crystal Power Supply Filtering****Table 10-4. DLPC6540 Recommended Crystal Parts**

MANUFACTURER	PART NUMBER	NOMINAL FREQUENCY	FREQUENCY TOLERANCE, FREQUENCY STABILITY, AGING/YEAR	ESR	LOAD CAPACITANCE	OPERATING TEMPERATURE	Drive Level
TXC	7M38070001 (1)	38 MHz	Freq Tolerance: ±20 ppm	30Ω max	12 pF	–40°C to +85°C	100µW
			Freq Stability: ±20 ppm				
			Aging/Year: ±3 ppm				
TXC	7M40070041 (2)	40 MHz	Freq Tolerance: ±20 ppm	30Ω max	12 pF	–40°C to +85°C	100µW
			Freq Stability: ±20 ppm				
			Aging/Year: ±3 ppm				

(1) This device requires an R_S resistor with value = 0.

(2) This device requires an R_S resistor with value = 0.

10.1.5 V-by-One Interface Layout Considerations

The DLPC6540 V-by-One SERDES differential interface waveform quality and timing is dependent on the total length of the interconnect system, the spacing between traces, the characteristic impedance, etch losses, and how well matched the lengths are across the interface. Thus, ensuring positive timing margin requires attention to many factors.

DLPC6540 I/O timing parameters, V-by-One transmitter timing parameters, as well as Thine specific timing requirements can be found in their corresponding data sheets. PCB routing mismatch can be budgeted and met through controlled PCB routing. PCB related requirements for V-by-One are provided in [Table 10-5](#) as a starting point for the customer.

Table 10-5. V-by-One Interface PBC Related Requirements (1)

PARAMETER	MIN	TYP	MAX	UNIT
Intra-lane cross-talk (between VX1_DATAx_P and VX1_DATAx_N)			< 1.5	mVpp
Inter-lane cross-talk (between data lane pairs)			< 1.5	mVpp
Cross-talk between data lanes and other signals			< 1.5	mVpp
Intra-lane skew			< 40	ps
Inter-lane skew			< 800	ps
Differential Impedance	90	100	110	Ω

(1) If using the minimum trace width and spacing to escape the Controller ball field, widening these out after escape would be desirable if practical to achieve the target 100 Ω impedance (e.g. to reduce transmission line losses).

Additional V-by-One layout guidelines:

- Route the differential signal pairs on the top layer of the PBC to minimize the number of vias. Limit the number of necessary vias to two.
- Route differential signal pairs over a single ground or power plane using a Micro-strip line configuration. Ground guard traces are also recommended.
- Do not route the differential signal pairs over the slit of power or ground planes
- Minimize the trace length mismatch for each pair, and between each pair, in order to meet the skew requirements
- Ensure that the bend angles associated with the differential signal pairs are between 135° and 225°(See [Figure 10-12](#)).

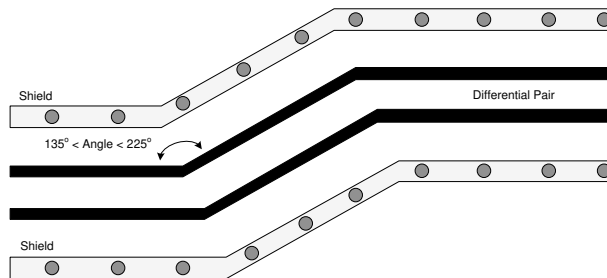


Figure 10-12. V-by-One Routing Example

10.1.6 USB Interface Layout Considerations

The DLPC6540 USB differential interface waveform quality and timing is dependent on the total length of the interconnect system, the spacing between traces, the characteristic impedance, etch losses, and how well matched the lengths are across the interface. Thus, ensuring positive timing margin requires attention to many factors.

DLPC6540 I/O timing parameters, USB transmitter and receiver timing parameters, as well as USB specific timing requirements can be found in their corresponding data sheets. PCB routing mismatch can be budgeted and met through controlled PCB routing. PCB related requirements for USB are provided in [Table 10-6](#) as a starting point for the customer.

Table 10-6. USB Interface PBC Related Requirements (1) (2)

PARAMETER	MIN	TYP	MAX	UNIT
Cross-talk between data lane (USB_DAT_P, USB_DAT_N) and other signals			< 1.5	mVpp
Intra-lane skew (USB_DAT_P, USB_DAT_N)			< 20	ps
Differential Impedance (USB_DAT_P, USB_DAT_N)	76.5	90	103.5	Ω
Single Mode impedance (USB_DAT_P, USB_DAT_N)		45		Ω
Common Mode Impedance (USB_DAT_P, USB_DAT_N)	21	30	39	Ω
Parasitic resistance (USB_DAT_P, USB_DAT_N)			≤ 0.5	Ω
Total capacitance (USB_DAT_P, USB_DAT_N)			< 4	pF
Differences of trace capacitance between USB_DAT_P, USB_DAT_N			< 1	pF
TXRTUNE resistor	172.26	174	175.74	Ω

- (1) If using the minimum trace width and spacing to escape the Controller ball field, widening these out after escape would be desirable if practical to achieve the target 100 Ω impedance (e.g. to reduce transmission line losses).
- (2) One pcb layout example for the differential pair is shown in [Figure 10-13](#)

Additional layout guidelines for USB_DAT_P/USB_DAT_N:

- Route the differential signal pairs on the top layer of the PBC to minimize the number of vias. Limit the number of necessary vias to two.
- Route differential signal pairs over a single ground or power plane using a Micro-strip line configuration. Ground guard traces are also recommended.
- Do not route the differential signal pairs over the slit of power or ground planes
- Minimize the trace length mismatch for each pair, and between each pair, in order to meet the skew requirements
- Ensure that the bend angles associated with the differential signal pair are between 135° and 225°. (See [Figure 10-14](#)).
- Minimize the length where the differential signal pair are parallel to clocks or digital signals
- Do not route the differential signal pair under an IC that uses a quartz crystal, oscillator, clock synchronization circuit, magnetic device, or clock

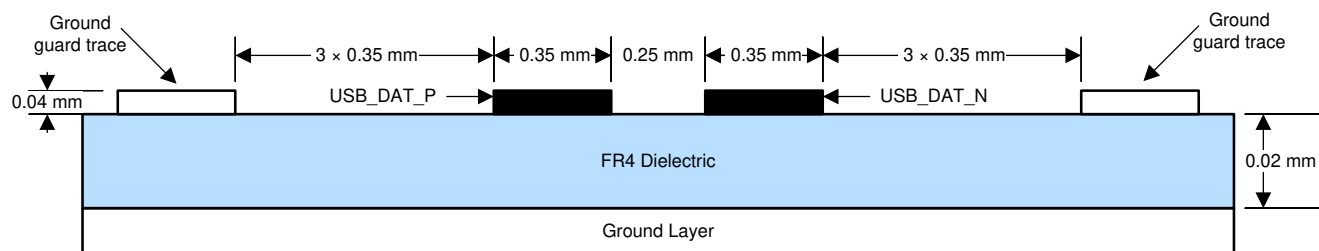


Figure 10-13. USB Layout Example

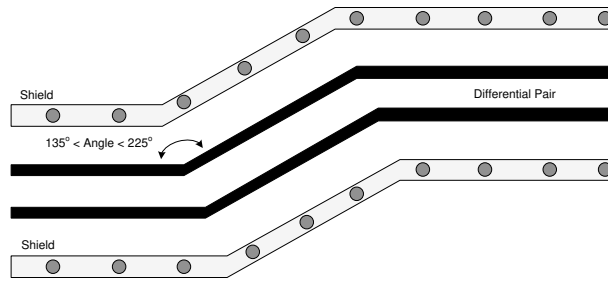


Figure 10-14. USB Routing Example

Additional USB layout guidelines for TXRTUNE

- Use the shortest possible connection lengths for the resistor between TXRTUNE and ground.
- Use ground layer and ground guard traces to shield the wires and resistor.

10.1.7 DMD Interface Layout Considerations

The DLPC6540 controller HSSI differential interface waveform quality and timing is dependent on the total length of the interconnect system, the spacing between traces, the characteristic impedance, etch losses, and how well matched the lengths are across the interface. Thus, ensuring positive timing margin requires attention to many factors.

DLPC6540 I/O timing parameters as well as DMD I/O timing parameters can be found in their corresponding data sheets. Similarly, PCB routing mismatch can be budgeted and met through controlled PCB routing. PCB design recommendations are provided in Table 10-7, Figure 10-15, and the paragraph below as a starting point for the customer.

Table 10-7. PCB Recommendations for DMD Interface (1) (2)

PARAMETER		MIN	MAX	UNIT
T_W	Trace Width	5.7		mils
T_S	Intra-lane Trace Spacing	5.3		mils
T_{SPP}	Inter-lane trace spacing (3)	48.3		mils

- (1) Recommendations to achieve the desired nominal differential impedance as specified by R_{DIFF} in Section 6.7.
- (2) These parameters show recommendations based on the micro-strip design shown in Figure 10-15. This design minimizes signal loss to support longer trace lengths at the expense of electromagnetic interference (EMI). The designer has the option to use of a stripline design for shorter trace lengths and to target minimizing EMI at the expense of signal loss.
- (3) A reduced inter-lane spacing may be used to escape the Controller ball field, however, widen this spacing to at least the stated minimum after escape.

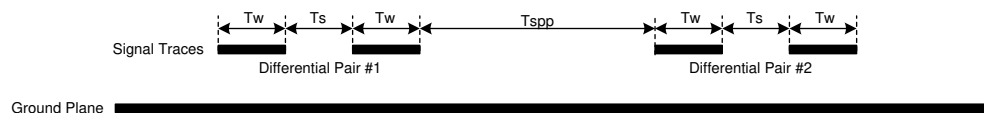


Figure 10-15. DMD Differential Layout Recommendations

Additional DMD interface layout guidelines:

- Route the differential signal pairs on the top layer of the PBC to minimize the number of vias. Limit the number of necessary vias to two. If two are required, place one at each end of the line (one at the controller and one at the DMD).
- Route the differential signal pairs over a single ground or power plane using a Micro-strip line configuration
- Do not route the differential signal pairs over the slit of power or ground planes
- Ensure the bend angles associated with the differential signal pairs are between 135° and 225°.
- Route the single-ended signal in a way that to minimize the number of vias required. Limit the number of necessary vias to two. If two are required, place one at each end of the line (one at the controller and one at the DMD).

- Avoid stubs.
- No external termination resistors are required on the DMD_HSSI or DMD_LS differential signals.
- Include a series termination resistor (with a value of 30.1 Ω , for example) to the DMD_LS0_RDATA and DMD_LS1_RDATA single-ended signal paths. Place the resistor as close as possible to the corresponding DMD pin.
- The DMD_DEN_ARSTZ does not typically require a series resistor, however, for a long trace, one might be needed to reduce undershoot or overshoot.

10.1.8 General Handling Guidelines for Unused CMOS-Type Pins

To avoid potential damage to unused video source inputs and unused GPIO, the instructions specifically noted in the associated [Section 5](#) must be followed. For those unused inputs without specific instructions, TI recommends that these input pins be tied through a pullup resistor to its associated power supply or a pulldown to ground. Unused output-only pins can remain open. Never tie unused output-only pins directly to power or ground. For controller inputs with an internal pullup or pulldown resistor, it is unnecessary to add an external pullup or pulldown unless specifically recommended. Internal pullup and pulldown resistors are weak and cannot be expected to drive the external line. When external pullup or pulldown resistors are needed for pins that have built-in weak pullups or pulldowns, use the value specified in [Table 5-2](#).

There are also power supply considerations that must be followed for any unused video sources. These are detailed in [Section 9.3](#).

10.1.9 Maximum Pin-to-Pin, PCB Interconnects Etch Lengths
Table 10-8. Max Pin-to-Pin PCB Interconnect Recommendations - DMD

Controller INTERFACE	SIGNAL INTERCONNECT TOPOLOGY ⁽¹⁾ ⁽²⁾ ⁽³⁾		UNIT
DMD	SINGLE BOARD SIGNAL ROUTING LENGTH	MULTI-BOARD SIGNAL ROUTING LENGTH	
DMD_HSSI0_CLK_P DMD_HSSI0_CLK_N	10 (254)	Controller PCB: 2 (50.8) DMD PCB: 4 (101.6) Flex: 10 (254)	inch (mm)
DMD_HSSI0_D0_P DMD_HSSI0_D0_N	10 (254)	Controller PCB: 2 (50.8) DMD PCB: 4 (101.6) Flex: 10 (254)	inch (mm)
DMD_HSSI0_D1_P DMD_HSSI0_D1_N			
DMD_HSSI0_D2_P DMD_HSSI0_D2_N			
DMD_HSSI0_D3_P DMD_HSSI0_D3_N			
DMD_HSSI0_D4_P DMD_HSSI0_D4_N			
DMD_HSSI0_D5_P DMD_HSSI0_D5_N			
DMD_HSSI0_D6_P DMD_HSSI0_D6_N			
DMD_HSSI0_D7_P DMD_HSSI0_D7_N			
DMD_HSSI1_CLK_P DMD_HSSI1_CLK_N	10 (254)	Controller PCB: 2 (50.8) DMD PCB: 4 (101.6) Flex: 10 (254)	inch (mm)
DMD_HSSI1_D0_P DMD_HSSI1_D0_N	10 (254)	Controller PCB: 2 (50.8) DMD PCB: 4 (101.6) Flex: 10 (254)	inch (mm)
DMD_HSSI1_D1_P DMD_HSSI1_D1_N			
DMD_HSSI1_D2_P DMD_HSSI1_D2_N			
DMD_HSSI1_D3_P DMD_HSSI1_D3_N			
DMD_HSSI1_D4_P DMD_HSSI1_D4_N			
DMD_HSSI1_D5_P DMD_HSSI1_D5_N			
DMD_HSSI1_D6_P DMD_HSSI1_D6_N			
DMD_HSSI1_D7_P DMD_HSSI1_D7_N			
DMD_LS0_CLK_P DMD_LS0_CLK_N	18 (457.2)	18 (457.2)	inch (mm)
DMD_LS0_WDATA_P DMD_LS0_WDATA_N	18 (457.2)	18 (457.2)	inch (mm)
DMD_LS1_CLK_P DMD_LS1_CLK_N	18 (457.2)	18 (457.2)	inch (mm)
DMD_LS1_WDATA_P DMD_LS1_WDATA_N	18 (457.2)	18 (457.2)	inch (mm)
DMD_LS0_RDATA	18 (457.2)	18 (457.2)	inch (mm)
DMD_LS1_RDATA	18 (457.2)	18 (457.2)	inch (mm)

Table 10-8. Max Pin-to-Pin PCB Interconnect Recommendations - DMD (continued)

Controller INTERFACE	SIGNAL INTERCONNECT TOPOLOGY ^{(1) (2) (3)}		UNIT
DMD	SINGLE BOARD SIGNAL ROUTING LENGTH	MULTI-BOARD SIGNAL ROUTING LENGTH	
DMD_DEN_ARSTZ	N/A	N/A	inch (mm)

(1) Max signal routing length includes escape routing.

(2) Multi-board DMD routing lengths shown are the combination that was analyzed by TI.

(3) Due to board variations, create a SPICE simulation for all board designs with the Controller IBIS models to ensure signal routing lengths do not exceed signal requirements.

Table 10-9. High Speed PCB Signal Routing Matching Requirements

SIGNAL GROUP LENGTH MATCHING ^{(1) (2)}				
INTERFACE	SIGNAL GROUP	REFERENCE SIGNAL	MAX MISMATCH ⁽³⁾	UNIT
DMD ⁽⁴⁾	DMD_HSSI0_D0_P DMD_HSSI0_D0_N	DMD_HSSI0_CLK_P DMD_HSSI0_CLK_N	±1.0 (±25.4)	inch (mm)
	DMD_HSSI0_D1_P DMD_HSSI0_D1_N			
	DMD_HSSI0_D2_P DMD_HSSI0_D2_N			
	DMD_HSSI0_D3_P DMD_HSSI0_D3_N			
	DMD_HSSI0_D4_P DMD_HSSI0_D4_N			
	DMD_HSSI0_D5_P DMD_HSSI0_D5_N			
	DMD_HSSI0_D6_P DMD_HSSI0_D6_N			
	DMD_HSSI0_D7_P DMD_HSSI0_D7_N			
DMD ⁽⁵⁾	DMD_HSSI0_x_P	DMD_HSSI0_x_N	±0.01 (±0.254)	inch (mm)
DMD ⁽⁴⁾	DMD_HSSI1_D0_P DMD_HSSI1_D0_N	DMD_HSSI1_CLK_P DMD_HSSI1_CLK_N	±1.0 (±25.4)	inch (mm)
	DMD_HSSI1_D1_P DMD_HSSI1_D1_N			
	DMD_HSSI1_D2_P DMD_HSSI1_D2_N			
	DMD_HSSI1_D3_P DMD_HSSI1_D3_N			
	DMD_HSSI1_D4_P DMD_HSSI1_D4_N			
	DMD_HSSI1_D5_P DMD_HSSI1_D5_N			
	DMD_HSSI1_D6_P DMD_HSSI1_D6_N			
	DMD_HSSI1_D7_P DMD_HSSI1_D7_N			
DMD ⁽⁵⁾	DMD_HSSI1_x_P	DMD_HSSI1_x_N	±0.01 (±0.254)	inch (mm)
DMD ⁽⁶⁾	DMD_HSSI0_CLK_P	DMD_HSSI1_CLK_P	±0.05 (±1.27)	inch (mm)
DMD ⁽⁶⁾	DMD_HSSI0_CLK_N	DMD_HSSI1_CLK_N	±0.05 (±1.27)	inch (mm)
DMD ⁽⁴⁾	DMD_LS0_WDATA_P DMD_LS0_WDATA_N	DMD_LS0_CLK_P DMD_LS0_CLK_N	±1.0 (±25.4)	inch (mm)

Table 10-9. High Speed PCB Signal Routing Matching Requirements (continued)

SIGNAL GROUP LENGTH MATCHING ^{(1) (2)}				
INTERFACE	SIGNAL GROUP	REFERENCE SIGNAL	MAX MISMATCH ⁽³⁾	UNIT
DMD ⁽⁵⁾	DMD_LS0_x_P	DMD_LS0_x_N	±0.025 (±0.635)	inch (mm)
DMD ⁽⁴⁾	DMD_LS1_WDATA_P DMD_LS1_WDATA_N	DMD_LS1_CLK_P DMD_LS1_CLK_N	±1.0 (±25.4)	inch (mm)
DMD ⁽⁵⁾	DMD_LS1_x_P	DMD_LS1_x_N	±0.025 (±0.635)	inch (mm)
DMD	DMD_LS0_RDATA DMD_LS1_RDATA	N/A	N/A ⁽⁷⁾	inch (mm)
DMD	DMD_DEN_ARSTZ	N/A	N/A	inch (mm)

- (1) These routing requirements are specific to the PCB routing. Internal package routing mismatches in the DLPC6540 and DLP471TP have already been accounted for in these requirements.
- (2) Training is applied to DMD HS data lines, so defined matching requirements are slightly relaxed.
- (3) This requirement must be maintained from the Controller to the DMD, even if the signals traverse multiple boards.
- (4) This is an inter-pair specification (that is, differential pair to differential pair within the group).
- (5) This is an intra-pair specification (that is, length mismatch between P and N for the same pair). This is applicable to both clock and data.
- (6) This is a channel to channel skew specification.
- (7) The low speed read control interface from the DMD is single ended, and makes use of the differential write clock. As such, a routing mismatch between these is not applicable.

10.2 Thermal Considerations

The underlying thermal requirement for the DLPC6540 is that the maximum operating junction temperature (T_J) not be exceeded (defined in the [Section 6.3](#)). This temperature is dependent on operating ambient temperature, heatsink, airflow, PCB design (including the component layout density and the amount of copper used), power dissipation of the DLPC6540, and power dissipation of surrounding components. The DLPC6540's package is designed to extract heat via the package heat slug to the heatsink, via the thermal balls, and through the power and ground planes of the PCB. Thus, heatsink, copper content, and airflow over the PCB are important factors.

The recommended maximum operating ambient temperature (T_A) is provided primarily as a design target and is based on maximum DLPC6540 power dissipation and $R_{\theta JA}$ at 0 m/s, 1 m/s, and 2 m/s of forced airflow, where $R_{\theta JA}$ is the thermal resistance of the package as measured using the test board described in [Section 10.1.1](#). This test PCB is not necessarily representative of the customer's PCB and thus the reported thermal resistance may not be accurate in the actual product application. Although the actual thermal resistance may be different, it is the best information available during the design phase to estimate thermal performance. TI highly recommends that once the host PCB is designed and built that the thermal performance be measured and validated.

To do this, measure the top center case temperature under the worse case product scenario (max power dissipation, max voltage, max ambient temperature) and validate that the maximum recommended case temperature (T_C) is not exceeded. This specification is based on the measured ϕ_{JT} for the DLPC6540 package and provides a relatively accurate correlation to junction temperature. Take care when measuring this case temperature to prevent accidental cooling of the package surface. TI recommends a small (approximately 40 gauge) thermocouple. Ensure that the bead and thermocouple wire contact the top of the package. Cover the bead and thermocouple wire with a minimal amount of thermally conductive epoxy. Route the wires closely along the package and the board surface to avoid cooling the bead through the wires.

11 Device and Documentation Support

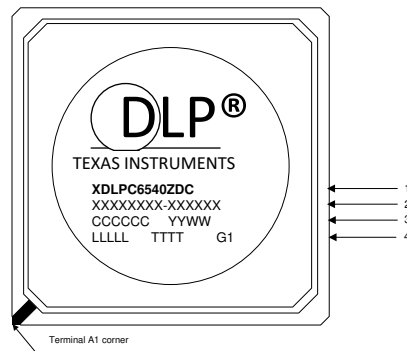
11.1 Device Support

11.1.1 Third-Party Products Disclaimer

TI'S PUBLICATION OF INFORMATION REGARDING THIRD-PARTY PRODUCTS OR SERVICES DOES NOT CONSTITUTE AN ENDORSEMENT REGARDING THE SUITABILITY OF SUCH PRODUCTS OR SERVICES OR A WARRANTY, REPRESENTATION OR ENDORSEMENT OF SUCH PRODUCTS OR SERVICES, EITHER ALONE OR IN COMBINATION WITH ANY TI PRODUCT OR SERVICE.

11.1.2 Device Nomenclature

11.1.2.1 Device Markings



Marking Definitions:

Line 1:	TI Part Number: Engineering Samples	X = Engineering Samples DLPC6540 = Device ID blank or A, B, C ... = Part Revision ZDC = Package designator
	TI Part Number: Production	DLPC6540 = Device ID blank or A, B, C ... = Part Revision ZDC = Package designator
Line 2:	Vendor Information	XXXXXXXX-XXXXXX
Line 3:	Vendor Country Year and Week code	CCCCCC = Country YY = Year WW = Week
Line 4:	Vendor Lot and Trace Code	LLLLL = Lot code TTTT = Trace code

11.1.2.2 Package Data

Table 11-1. Package Information

PARAMETER	VALUE	UNITS
Package type	P-HBGA	
Number of balls	676	
Number of balls (signal/thermal)	612 / 64	
Ball pitch	1.00	mm
UBM (under bump metallurgy)	0.48 (See Figure 11-1)	mm
BPD (ball pad diameter)	0.58 (See Figure 11-1)	mm
Body dimension	See Mechanical Drawing	mm
Mold compound dimensions	See Mechanical Drawing	mm
Package volume class	350 - 2000 (J-STD-20D)	mm ³
Approximate weight	5.64	g
Substrate circuit	Pb-free	

Table 11-1. Package Information (continued)

PARAMETER	VALUE	UNITS
Package balls	Pb-free	
Solder paste	Pb-free	
Solder profile	$T_C = 250^\circ\text{C}$, $T_P = 253^\circ\text{C}$ (J-STD-20D)	
Moisture sensitivity level	MSL Level 3 (J-STD-20D)	
Solder ball composition	SAC305	
Wirebond	Cu	
Mounting technique	a) Hot air reflow (including the combination of long and/or medium infrared ray reflow) b) Long or medium infrared ray reflow	

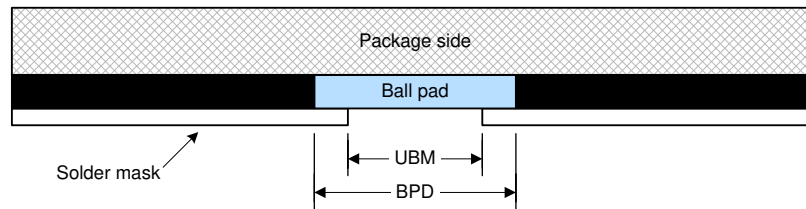


Figure 11-1. Package Ball Parameters

11.2 Trademarks

V-by-One® is a registered trademark of THine Electronics, Inc.
 Arm® and Cortex® are registered trademarks of Arm Limited.
 DLP® is a registered trademark of Texas Instruments.
 All other trademarks are the property of their respective owners.

11.3 Electrostatic Discharge Caution



This integrated circuit can be damaged by ESD. Texas Instruments recommends that all integrated circuits be handled with appropriate precautions. Failure to observe proper handling and installation procedures can cause damage.

ESD damage can range from subtle performance degradation to complete device failure. Precision integrated circuits may be more susceptible to damage because very small parametric changes could cause the device not to meet its published specifications.

11.4 Glossary

TI Glossary This glossary lists and explains terms, acronyms, and definitions.

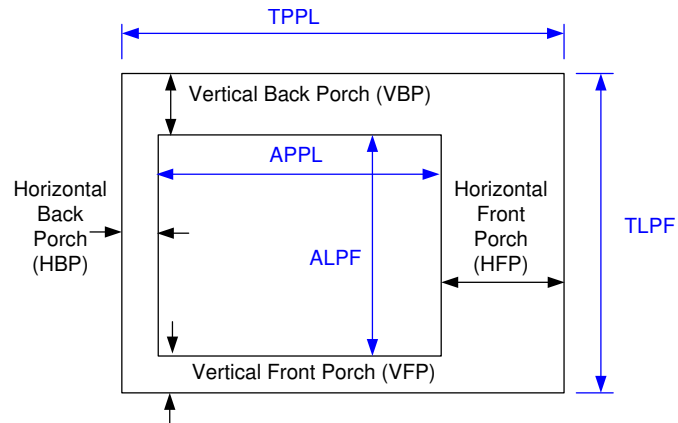
11.4.1 Video Timing Parameter Definitions

- Active Lines Per Frame (ALPF)** Defines the number of lines in a frame containing displayable data: ALPF is a subset of the TLPF.
- Active Pixels Per Line (APPL)** Defines the number of pixel clocks in a line containing displayable data: APPL is a subset of the TPPL.
- Horizontal Back Porch (HBP) Blanking** Number of blank pixel clocks after horizontal sync but before the first active pixel. Note: HBP times are reference to the leading (active) edge of the respective sync signal.
- Horizontal Front Porch (HFP) Blanking** Number of blank pixel clocks after the last active pixel but before Horizontal Sync.
- Horizontal Sync (HS)** Timing reference point that defines the start of each horizontal interval (line). The absolute reference point is defined by the active edge of the HS signal. The active edge (either rising or falling edge as defined by the source) is the reference from which all horizontal blanking parameters are measured.

DLPC6540

DLPS168B – MAY 2020 – REVISED AUGUST 2020

Total Lines Per Frame (TLPF)	Defines the vertical period (or frame time) in lines: $TLPF = \text{Total number of lines per frame (active and inactive)}$.
Total Pixel Per Line (TPPL)	Defines the horizontal line period in pixel clocks: $TPPL = \text{Total number of pixel clocks per line (active and inactive)}$.
Vertical Sync (VS)	Timing reference point that defines the start of the vertical interval (frame). The absolute reference point is defined by the active edge of the VS signal. The active edge (either rising or falling edge as defined by the source) is the reference from which all vertical blanking parameters are measured.
Vertical Back Porch (VBP) Blanking	Number of blank lines after vertical sync but before the first active line.
Vertical Front Porch (VFP) Blanking	Number of blank lines after the last active line but before vertical sync.



12 Mechanical, Packaging, and Orderable Information

The following pages include mechanical, packaging, and orderable information. This information is the most current data available for the designated devices. This data is subject to change without notice and revision of this document. For browser-based versions of this data sheet, refer to the left-hand navigation.

PACKAGING INFORMATION

Orderable Device	Status (1)	Package Type	Package Drawing	Pins	Package Qty	Eco Plan (2)	Lead finish/ Ball material (6)	MSL Peak Temp (3)	Op Temp (°C)	Device Marking (4/5)	Samples
DLPC6540ZDC	ACTIVE	BGA	ZDC	676	160	TBD	Call TI	Call TI	0 to 70		Samples

(1) The marketing status values are defined as follows:

ACTIVE: Product device recommended for new designs.

LIFEBUY: TI has announced that the device will be discontinued, and a lifetime-buy period is in effect.

NRND: Not recommended for new designs. Device is in production to support existing customers, but TI does not recommend using this part in a new design.

PREVIEW: Device has been announced but is not in production. Samples may or may not be available.

OBSELETE: TI has discontinued the production of the device.

(2) **RoHS:** TI defines "RoHS" to mean semiconductor products that are compliant with the current EU RoHS requirements for all 10 RoHS substances, including the requirement that RoHS substance do not exceed 0.1% by weight in homogeneous materials. Where designed to be soldered at high temperatures, "RoHS" products are suitable for use in specified lead-free processes. TI may reference these types of products as "Pb-Free".

RoHS Exempt: TI defines "RoHS Exempt" to mean products that contain lead but are compliant with EU RoHS pursuant to a specific EU RoHS exemption.

Green: TI defines "Green" to mean the content of Chlorine (Cl) and Bromine (Br) based flame retardants meet JS709B low halogen requirements of <=1000ppm threshold. Antimony trioxide based flame retardants must also meet the <=1000ppm threshold requirement.

(3) MSL, Peak Temp. - The Moisture Sensitivity Level rating according to the JEDEC industry standard classifications, and peak solder temperature.

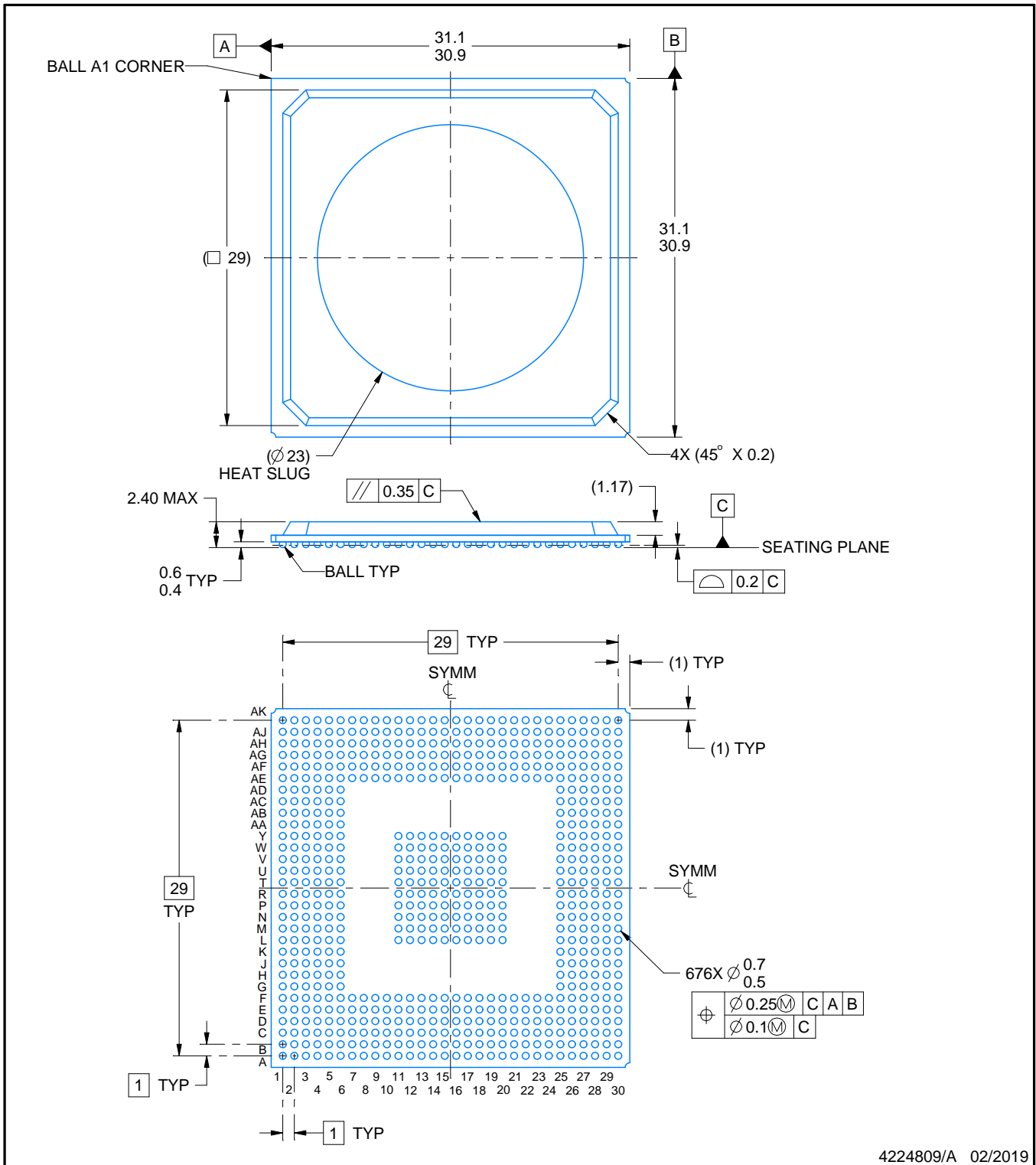
(4) There may be additional marking, which relates to the logo, the lot trace code information, or the environmental category on the device.

(5) Multiple Device Markings will be inside parentheses. Only one Device Marking contained in parentheses and separated by a "-" will appear on a device. If a line is indented then it is a continuation of the previous line and the two combined represent the entire Device Marking for that device.

(6) Lead finish/Ball material - Orderable Devices may have multiple material finish options. Finish options are separated by a vertical ruled line. Lead finish/Ball material values may wrap to two lines if the finish value exceeds the maximum column width.

Important Information and Disclaimer:The information provided on this page represents TI's knowledge and belief as of the date that it is provided. TI bases its knowledge and belief on information provided by third parties, and makes no representation or warranty as to the accuracy of such information. Efforts are underway to better integrate information from third parties. TI has taken and continues to take reasonable steps to provide representative and accurate information but may not have conducted destructive testing or chemical analysis on incoming materials and chemicals. TI and TI suppliers consider certain information to be proprietary, and thus CAS numbers and other limited information may not be available for release.

In no event shall TI's liability arising out of such information exceed the total purchase price of the TI part(s) at issue in this document sold by TI to Customer on an annual basis.



4224809/A 02/2019

NOTES:

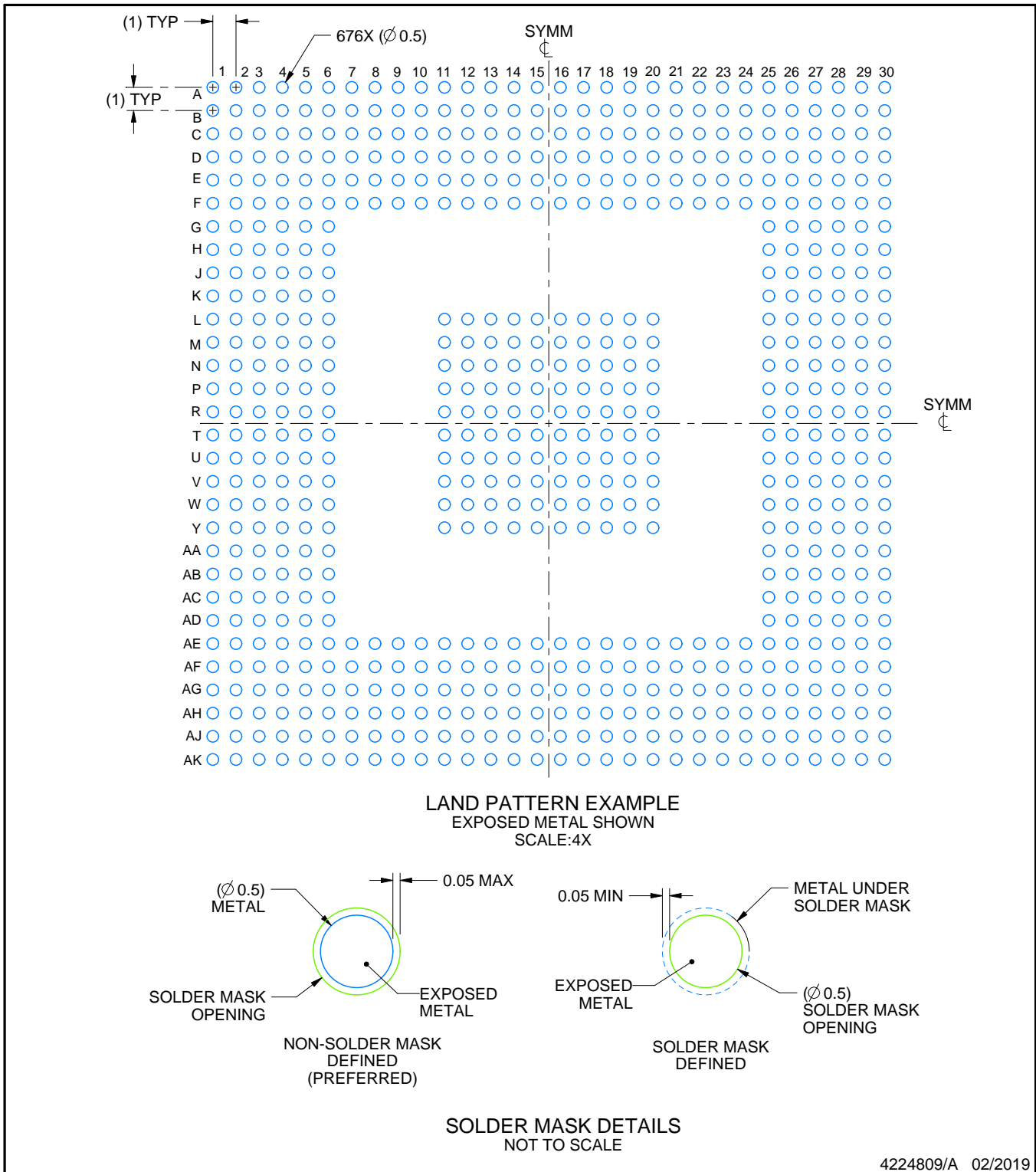
1. All linear dimensions are in millimeters. Any dimensions in parenthesis are for reference only. Dimensioning and tolerancing per ASME Y14.5M.
2. This drawing is subject to change without notice.

EXAMPLE BOARD LAYOUT

ZDC0676A

PBGA - 2.4 mm max height

PLASTIC BALL GRID ARRAY



NOTES: (continued)

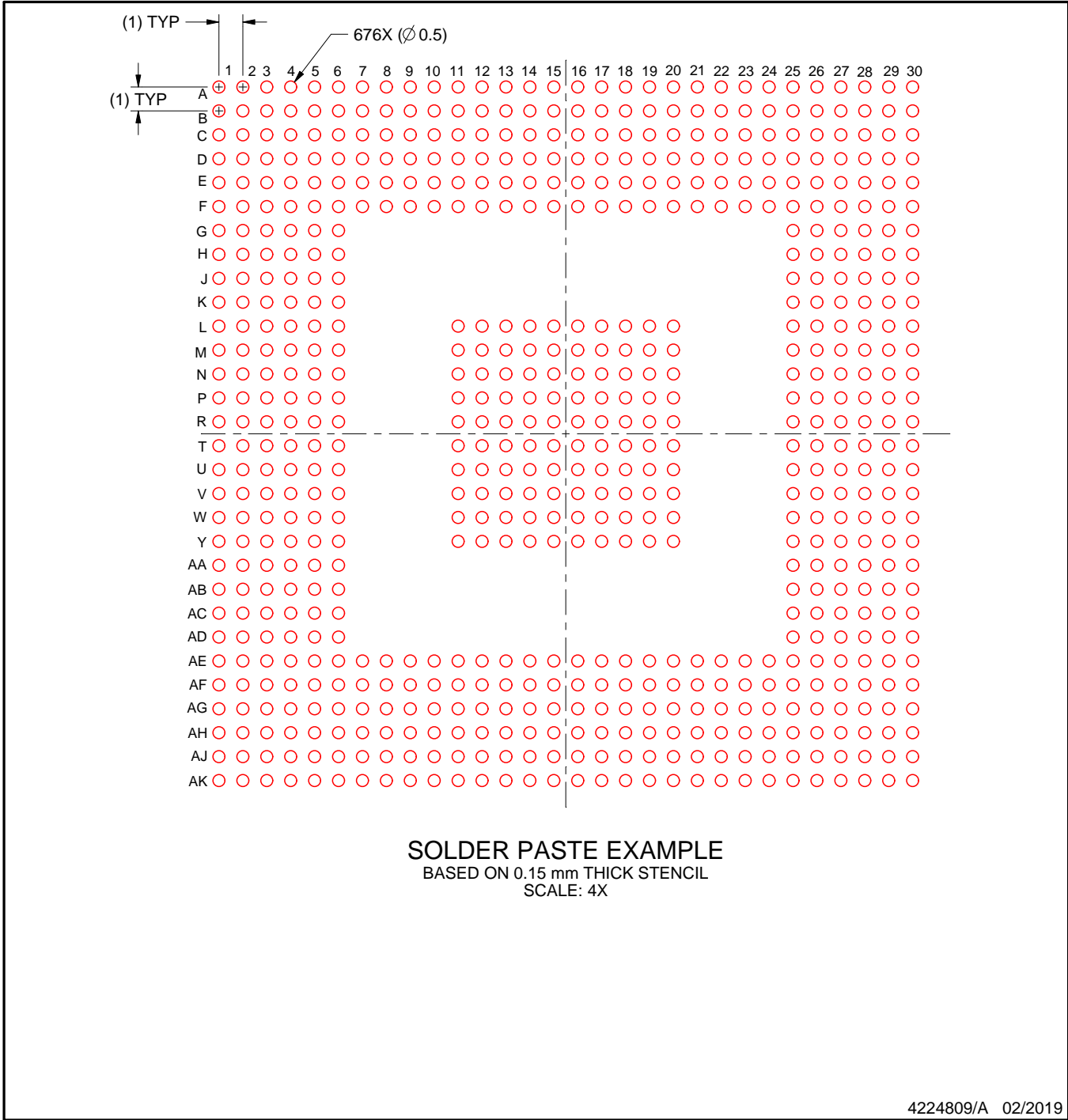
- Final dimensions may vary due to manufacturing tolerance considerations and also routing constraints. For information, see Texas Instruments literature number SSZA002 (www.ti.com/lit/ssza002).

EXAMPLE STENCIL DESIGN

ZDC0676A

PBGA - 2.4 mm max height

PLASTIC BALL GRID ARRAY



NOTES: (continued)

5. Laser cutting apertures with trapezoidal walls and rounded corners may offer better paste release.

IMPORTANT NOTICE AND DISCLAIMER

TI PROVIDES TECHNICAL AND RELIABILITY DATA (INCLUDING DATASHEETS), DESIGN RESOURCES (INCLUDING REFERENCE DESIGNS), APPLICATION OR OTHER DESIGN ADVICE, WEB TOOLS, SAFETY INFORMATION, AND OTHER RESOURCES "AS IS" AND WITH ALL FAULTS, AND DISCLAIMS ALL WARRANTIES, EXPRESS AND IMPLIED, INCLUDING WITHOUT LIMITATION ANY IMPLIED WARRANTIES OF MERCHANTABILITY, FITNESS FOR A PARTICULAR PURPOSE OR NON-INFRINGEMENT OF THIRD PARTY INTELLECTUAL PROPERTY RIGHTS.

These resources are intended for skilled developers designing with TI products. You are solely responsible for (1) selecting the appropriate TI products for your application, (2) designing, validating and testing your application, and (3) ensuring your application meets applicable standards, and any other safety, security, or other requirements. These resources are subject to change without notice. TI grants you permission to use these resources only for development of an application that uses the TI products described in the resource. Other reproduction and display of these resources is prohibited. No license is granted to any other TI intellectual property right or to any third party intellectual property right. TI disclaims responsibility for, and you will fully indemnify TI and its representatives against, any claims, damages, costs, losses, and liabilities arising out of your use of these resources.

TI's products are provided subject to TI's Terms of Sale (www.ti.com/legal/termsofsale.html) or other applicable terms available either on ti.com or provided in conjunction with such TI products. TI's provision of these resources does not expand or otherwise alter TI's applicable warranties or warranty disclaimers for TI products.

Mailing Address: Texas Instruments, Post Office Box 655303, Dallas, Texas 75265
Copyright © 2020, Texas Instruments Incorporated