

HSF

NOTES:

Current Rating: 1.0AMP
 Contact Resistance: 20mΩ Max
 Withstand Voltage: 500V AC/DC
 Insulation Resistance: 1000MΩ Min
 Operation Temperature: -40°C to +105°C

Contact Material: Brass
 Contact plating: Au Or Sn over Ni
 Insulator Material: LCP+30%G.F UL94V-0

Ordering Information

3132-XX R XX B K00 X 1

No. of Pins Contact Plating Color Insulator Packing

10 34 G0=Gold Flash B=Black T=Tube

14 40 G3=10u"Gold W=White

16 44 G4=15u"Gold

20 50 G5=30u"Gold

24 60 S0=Gold Flash/Tin

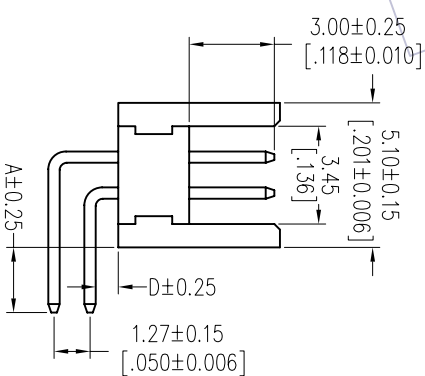
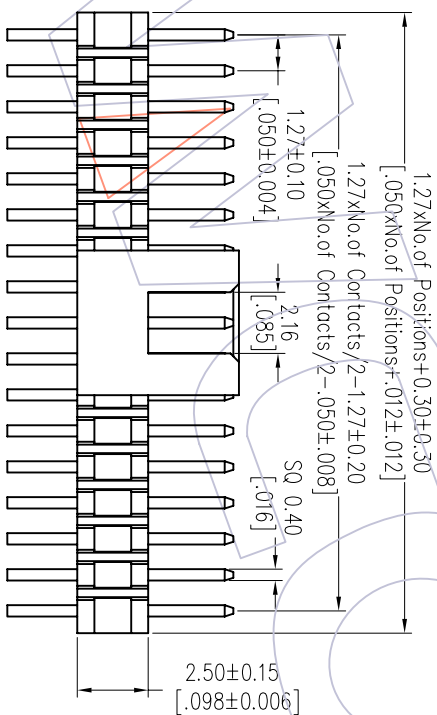
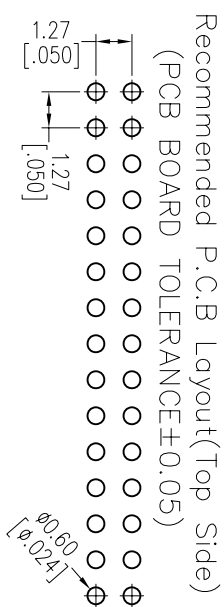
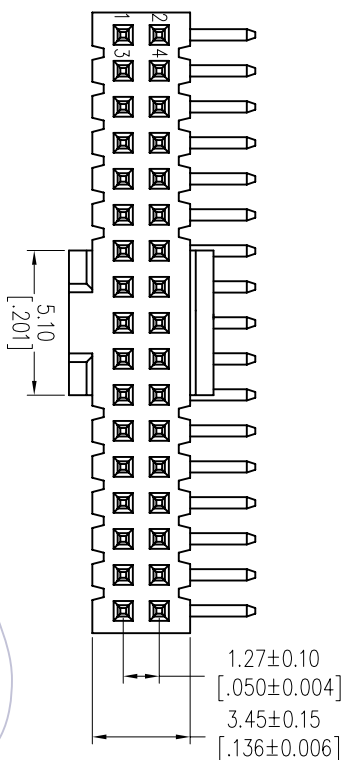
26 64 S3=10u"Gold/Tin

30 80 S4=15u"Gold/Tin

32 100 S5=30u"Gold/Tin

SN=Tin

Item	Pitch	Mating	A	D
Standard	1.27	5232	2.30	0.80
Alternate				



REV	DATE	MODIFICATION DESCRIPTION	CHANGE	OPERATION	DRAW	DATE	SCALE	FIT	PART NO.	TITLE:	WCN-Dongguan	WCN-Kunshan
A0	2012/09/18	NEW	---	XX	JYHuang	2012/09/18	mm	A4	3132-XXRXXBK00X1	1.27mm BOX HEADER 90° "S" TYPE H=5.70	+86 769 85358920	+86 512 57468408
REV	DATE	MODIFICATION DESCRIPTION	CHANGE	Angle	APPROVE	DATE	SHEET	PROJ.	Customer NO.		+86 769 85358915	+86 512 57468468
				± 3'			1/1				E-mail: sales@wcon.com	E-mail: sales@wcon.com

WCON

Http: www.wcon.com

Tel: +86 769 85358920 Fax: +86 769 85358915
 E-mail: sales@wcon.com

Tel: +86 512 57468408 Fax: +86 512 57468468
 E-mail: sales@wcon.com