

# HSF

NOTES:  
 Current Rating: 1.0AMP  
 Contact Resistance: 20mΩ Max  
 Withstand Voltage: 500V AC/DC  
 Insulation Resistance: 1000MΩ Min  
 Operation Temperature: -40°C to +105°C

Contact Material: Brass  
 Contact plating: Au Or Sn over Ni  
 Insulator Material: PA9T+33%G.F UL94V-0

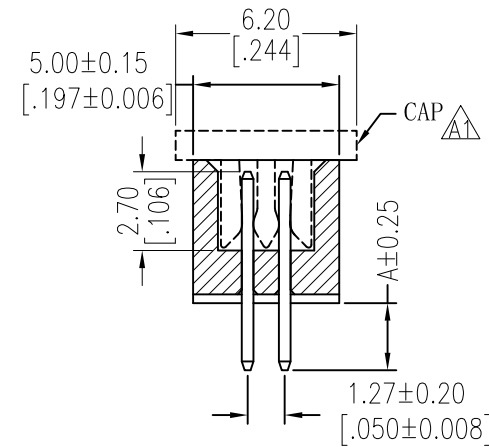
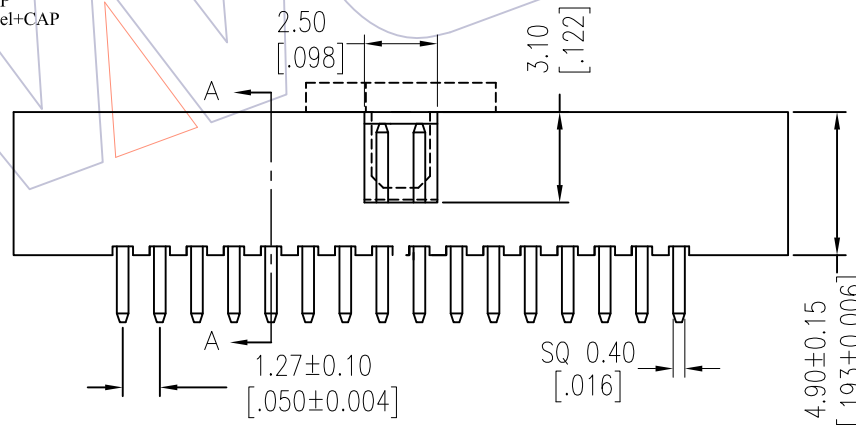
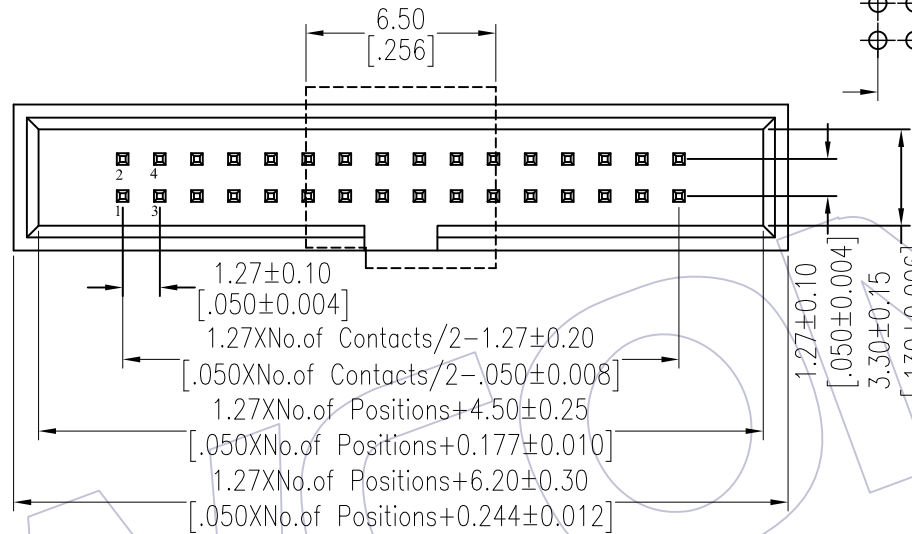
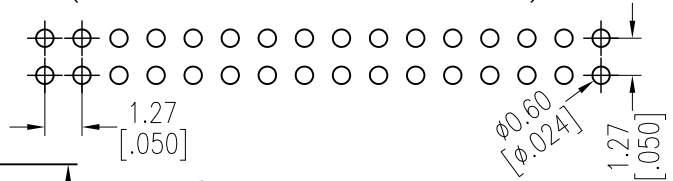
## Ordering Information

3130- XX S XX B K 00 XX

No. of Pins	Contact Plating	Color Insulator	Packing
10 34	G0=Gold Flash	B=Black	T=Tube
12 40	G3=10u"Gold	W=White	P=Tube+CAP
14 44	G4=15u"Gold		R=Tube&Reel+CAP
16 50	G5=30u"Gold		
20 60	S0=Gold Flash/Tin		
24 64	S3=10u"Gold/Tin		
26 80	S4=15u"Gold/Tin		
30 100	S5=30u"Gold/Tin		
32	SN=Tin		

Item	Pitch	Mating	Dip(A)
Standard	1.27	5232/2334	2.30 3.00
Alternate			

Recommended P.C.B Layout(Top Side)  
 (PCB BOARD TOLERANCE±0.05)



OPERATION	DRAW	DATE	SCALE	FIT	PART NO.
X.X ±0.40	Ding	2017/11/28	UNIT mm		3130-XXSXXBK00XX
X.XX ±0.25	CHECK	DATE	SIZE A4		TITLE: 1.27 BOX HEADER 180° H=4.90
X.XXX ±0.15			SHEET 1/1		Customer NO.
Angle ± 3'	APPROVE	DATE	PROJ.		
DIM TOL					

# WCON

Http: www.wcon.com

WCON-Dongguan Tel: +86 769 85358920 Fax: +86 769 85358915 E-mail: sales@wcon.com	WCON-Kunshan Tel: +86 512 57468408 Fax: +86 512 57468468 E-mail: sales@wcon.com
---	--