

# HSF

NOTES:  
 Current Rating:1.5AMP  
 Contact Resistance:20mΩ max  
 Withstand Voltage:500V AC/DC  
 Insulation Resistance:1000MΩ min  
 Operation Temperature:-40°C to +105°C

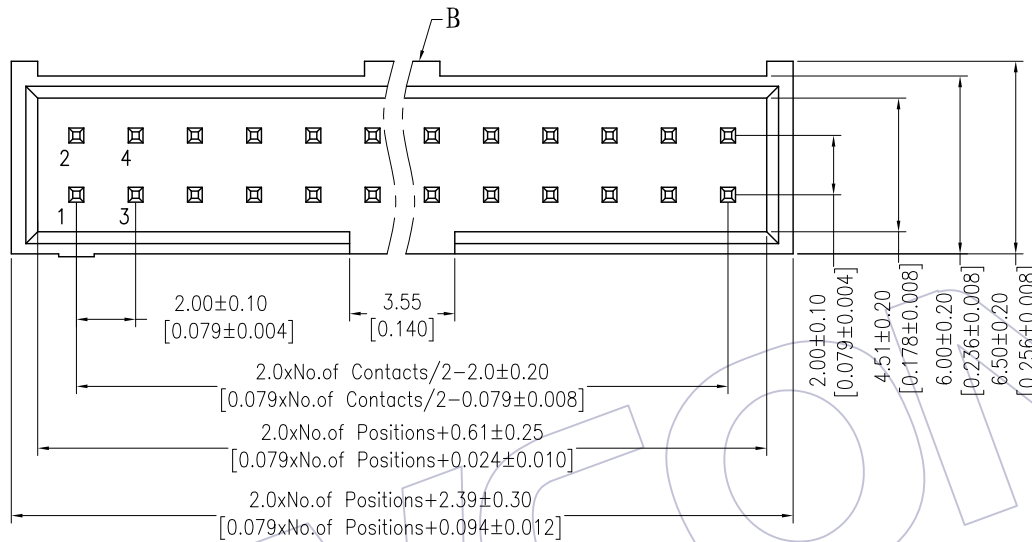
Contact Material:Brass  
 Contact plating:Au or Sn Over Ni  
 Insulator Material:LCP+30%GF(UL94V-0)

4P-6P Without "A" and "B"

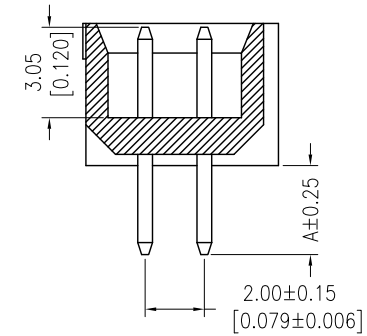
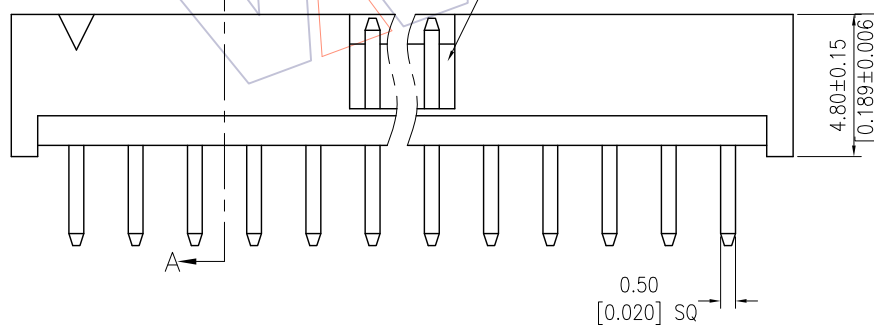
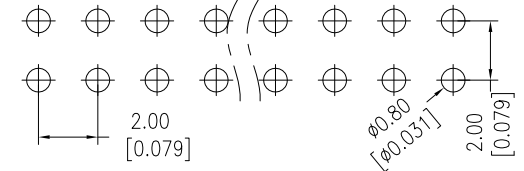
### Ordering Information

3124A-XX S XX B K00 X 1

| No.of Pins | Contact Plating   | Color Insulator | Packing |
|------------|-------------------|-----------------|---------|
| 10 30      | G0=Gold Flash     | B=Black         | T=Tube  |
| 14 34      | G1=3u"Gold        |                 |         |
| 16 40      | G2=5u"Gold        |                 |         |
| 20 44      | G3=10u"Gold       |                 |         |
| 24 50      | G4=15u"Gold       |                 |         |
| 26 60      | G5=30u"Gold       |                 |         |
|            | S0=Gold Flash/Tin |                 |         |
|            | S1=3u"Gold/Tin    |                 |         |
|            | S2=5u"Gold/Tin    |                 |         |
|            | S3=10u"Gold/Tin   |                 |         |
|            | S4=15u"Gold/Tin   |                 |         |
|            | S5=30u"Gold/Tin   |                 |         |
|            | SN=Tin            |                 |         |



Recommended P.C.B Layout (Top Side)  
 (PCB BOARD TOLERANCE ± 0.05)



| Dimension antitheses list |      |
|---------------------------|------|
| ITEM                      | A    |
| Standard                  | 3.00 |
| Alternate                 |      |

| REV | DATE       | MODIFICATION DESCRIPTION                    | CHANGE | DIM       | TOL   | APPROVE | DATE       | SHEET | PROJ. | PART NO.          | TITLE:  | Customer NO. |
|-----|------------|---|--------|-----------|-------|---------|------------|-------|-------|-------------------|---|--------------|
| A3  | 2015/04/02 | MODIFY                                      |        | OPERATION |       | DRAW    | DATE       | SCALE | FIT   | 3124A-XXSXXBK00X1 | 2.00 BOX HEADER 180° H=4.8<br>"S" TYPE (SHORT TYPE) |              |
| A2  | 2012/08/21 | MODIFY 3124-XXSXXBS00X1 → 3124A-XXSXXBK00X1 |        | x.X       | ±0.40 | Allen   | 2015/04/02 | UNIT  | mm    |                   |   |              |
| A1  | 2012/07/30 | MODIFY 3124-XXSXXBK00X2 → 3124-XXSXXBS00X1  |        | x.XX      | ±0.25 | CHECK   | DATE       | SIZE  | A4    |                   |   |              |
| A0  | 2008/05/06 | NEW   |        | x.XXX     | ±0.15 | APPROVE | DATE       | SHEET | 1/1   |                   |   |              |
|     |            |   |        | Angle     | ± 3'  |         |            | PROJ. |       |                   |   |              |

**WCON**  
 Http: www.wcon.com

WCON-Dongguan Tel: +86 769 85358920 Fax: +86 769 85358915 E-mail: sales@wcon.com  
 WCON-Kunshan Tel: +86 512 57468408 Fax: +86 512 57468468 E-mail: salesks@wcon.com