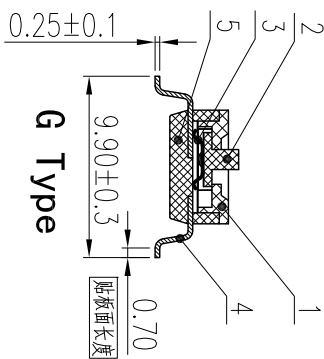
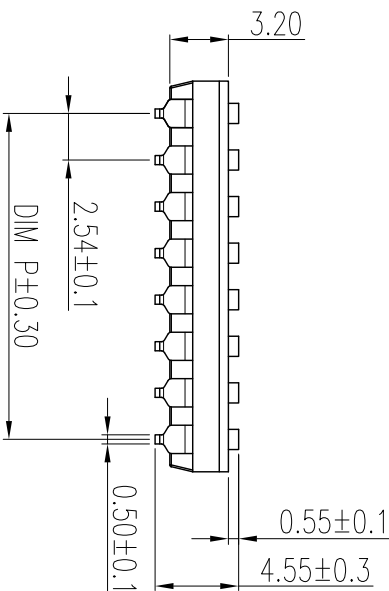
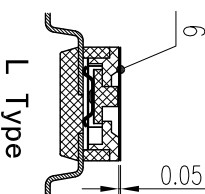
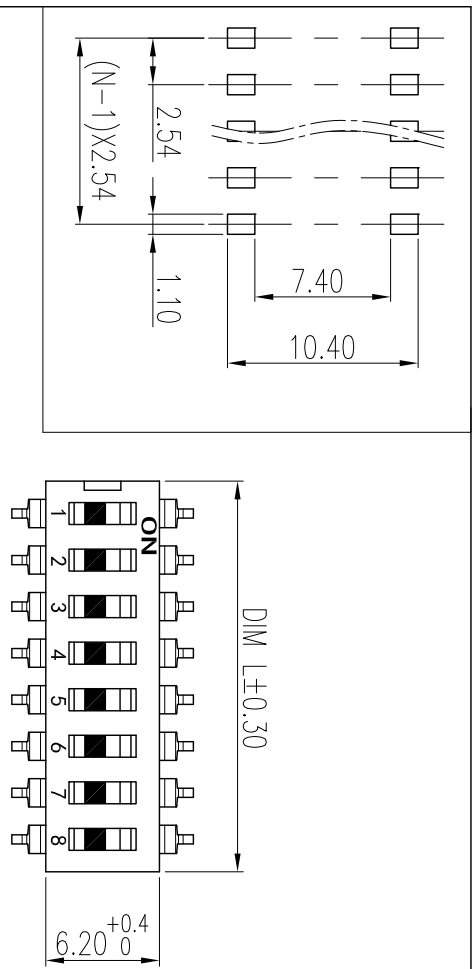


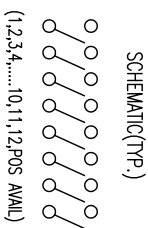
REV	ECN	CONTENT	CHECK	DATE
V0.0		初版发行	YZG	2017.03.12
V1.0		整理图纸	WL	2019.09.25



- 技术要求:
- 额定电流: 25mA, 24VDC (开与关切换时) 100mA, 50VDC (开与关不切换时)
 - 接触阻抗: $\leq 50m\Omega$ (初始), $\leq 100m\Omega$ (寿命测试后)
 - 绝缘电阻: $\geq 100M\Omega/500VDC$
 - 耐电压: 500VAC/1min
 - 拨动力: 1000g max
 - 拨动行程: 0.9mm
 - 机械寿命: ≥ 2000 cycles
 - 电气寿命: ≥ 2000 cycles/25mA, 24VDC
 - 使用温度: -40°C ~ +85°C
 - 存储温度: -40°C ~ +85°C
 - 符合RoHS要求

焊接说明:
 回流焊接: 240°C, 20S max, 峰值温度260°C
 手工焊接: 30W电烙铁, 320±5°C, 3S max
 焊接前保持开关在“OFF”状态

订购方式
 KE1027 B - XXP - X XX - XXX-XXX
 B: SMD Type
 产品型号 (贴片式)
 P数
 客户要求
 00: 无需贴膜, 管装
 TR: 正面贴膜, 载带包装
 G: 常规按钮, 高的
 L: 平按钮, 低的



(1,2,3,4.....10,11,12,POS AVAL)

General tolerance in mm		radii and chamfers		shorter angle side		=		//	
over	to	over	to	over	to	over	to	over	to
±0.15	±0.2	±0.25	±0.3	±0.5	±0.8	±0.2	±0.5	±1.0	±1.0
0	3	6	30	120	400	0.5	3	6	10
to	to	to	to	to	to	to	to	to	to
3	6	30	120	400	1000	3	6	10	50
to	to	to	to	to	to	to	to	to	to
3	6	30	120	400	1000	10	50	100	150
to	to	to	to	to	to	to	to	to	to
±0.15	±0.2	±0.25	±0.3	±0.5	±0.8	±0.2	±0.5	±1.0	±1.0

Poles	Dim P	Dim L
1P	---	3.54
2P	2.54	6.08
3P	5.08	8.62
4P	7.62	11.16
5P	10.16	13.70
6P	12.70	16.24
7P	15.24	18.78
8P	17.78	21.32
9P	20.32	23.86
10P	22.86	26.40
11P	25.40	28.94
12P	27.94	31.48

6	高温薄膜	\	POLYIMIDE	黄色, 选配	
5	底座	\	工程塑料	UL94V-0	
4	PIN针	\	铜合金	镀金	
3	弹片	\	铜合金	触点镀金	
2	拨柄	\	工程塑料	UL94V-0	
1	盖板	\	工程塑料	UL94V-0	
序号	零件名称	零件编码	数量	材质	备注
APP.	DATE 2019.9.25				
CHK.	DATE 2019.9.25				
DWG.	DATE 2019.9.25				
UN	DATE 2019.9.25				
SHE	DATE 2019.9.25				
NAME	NAME	NAME	NAME	NAME	NAME
WF20004321	WF20004321	WF20004321	WF20004321	WF20004321	WF20004321
PROJECTION-METHOD	PROJECTION-METHOD	PROJECTION-METHOD	PROJECTION-METHOD	PROJECTION-METHOD	PROJECTION-METHOD
1/1	1/1	1/1	1/1	1/1	1/1

