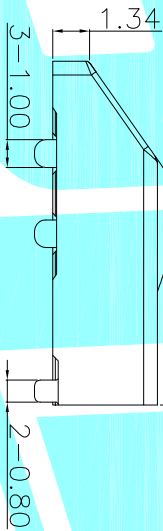
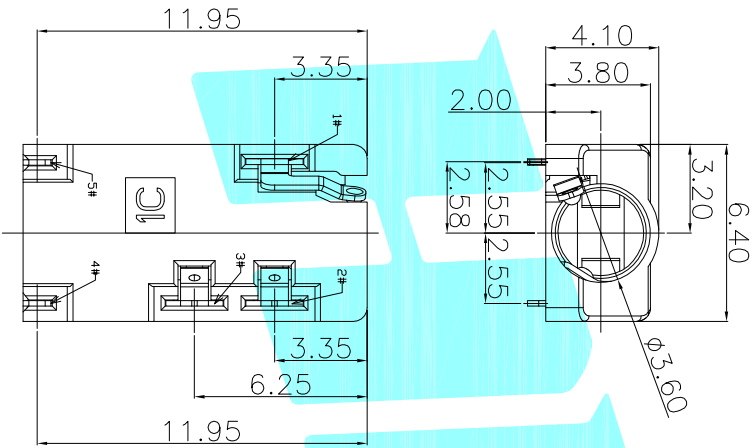
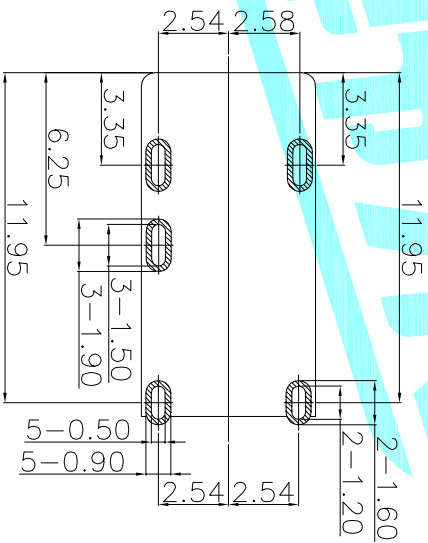
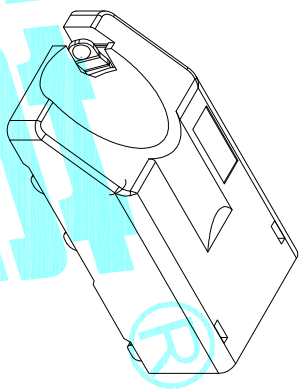


Model NO	PJ-620
Schematic	



Rating: 1A 30V DC
 Contact Resistance: 100 mΩ Max.
 Operating temperature: -25°C ~ 80°C
 Operating force: 3-20N
 Operating Life: 5,000 cycles



P.C.B. LAYOUT
TOP VIEW

②	Shunt terminal	6	Phosphor bronze	Plating Au		
①	Housing	1	PPA	Black		
ITEM	PART NAME	Serial number	QTY.	MATERIAL	FINISHING	REMARK
APPROVALS		DATE				
DRAWN	QIFENG.XU	2019/8/8	ELECTRONICS CO.,LTD			
CHECKED			TITLE: PHONE JACKES			
APPROVALS			PART NO.			
TOLERANCES ARE		30~0.15	±0.30	ANGLE		
		10~0.30	±0.20	UNIT: mm	SCALE: 1:1	
		5~0.10	±0.15	±2'	PROJ:	
		~ 5	±0.10	DRAWING NO.	SHEET 1 OF 1	

ECN NO.	REV.	DATE.	DESCRIPTION.	CHANGE.	CHECK.	APPRO.
	A		NEW			