

SIGN	DATE	DESCRIPTION	APPROVER
△	01/26'07	The Soldering temperature from 245° to 250°	Aaron
△	01/26'07	Add "VDE" stipulation	Aaron
△	9/16'08	Add "CQC" Safety Approval Logo	Tony
△	9/16'08	Wire strip length changed from 6-7mm to 9-10mm	Tony
△	9/16'08	Operating temperature changed (-40°C to +115°C)	Tony
△	2/9'09	Add "TUV" Safety Approval	Tony
△	4/27'10	Electrical and Structure changed	Runner
△	6/02'10	Structure changed	Cheng Bo
△	12/25'10	How to order is changed	Runner

THIS IS CAD DRAWING, DO NOT REVISE MANUALLY!!!

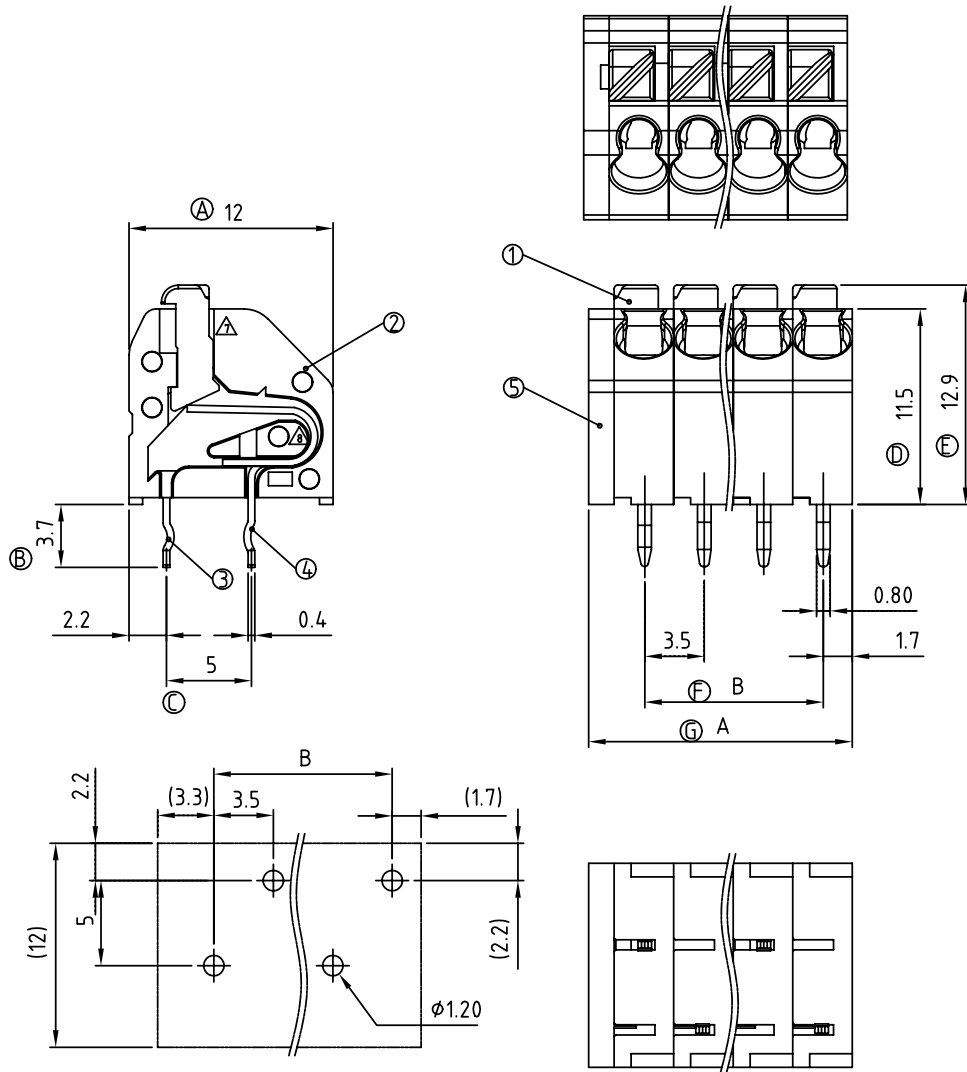
Material:

- Item ① Insulator(lever): Thermoplastic (UL94V-0)
- Item ② Insulator(housing): Thermoplastic (UL94V-0)
- Item ③ Side contact pin: PhBz.Tin plated.
- Item ④ Center contact pin: PhBz.Tin plated.
- Item ⑤ Side Cover : Thermoplastic (UL94V-0)

△ △	Electrical:	cULus	VDE	CQC	TUV
●	Voltage rating:	300V	130V	300V	500V
●	Current rating:	6A	6A	6A	8A
●	Wire range:	0.5-0.75 mm ²		0.5-1.5 mm ²	
●	Solid wire(AWG):	16-22	20		
●	Stranded wire(AWG):	16-22	20		
△ ●	Wire strip length:	8.5-10.0mm			
●	Withstanding Voltage:	1.6KV	1.25KV	2.5 KV	4KV
△ ●	Operating temperature:	-40°C to +115°C			
△ ●	Soldering temperature:	250°C ±10°C/5 Sec			
△ △ ●	Safety Approval:				

HC xx 00 x 0 xxxx G △

No. OF POLES	COLOR	0000: Standard
02: 2 POLES	0: BLACK	Any special item by customer request. please contact sales department.
:	5: GREEN	
24: 24 POLES	6: BLUE	
	8: GREY	



P.C.B Layout

POLE	2	3	4	5	6	7	8	9	10	11	12	
A	8.50	12.00	15.50	19.00	22.50	26.00	29.50	33.00	36.50	40.00	43.50	
B	3.50	7.00	10.50	14.00	17.50	21.00	24.50	28.00	31.50	35.00	38.50	
Tol.	±0.10						±0.15					
POLE	13	14	15	16	17	18	19	20	21	22	23	24
A	47.00	50.50	54.00	57.50	61.00	64.50	68.00	71.50	75.50	78.50	82.00	85.50
B	42.00	45.50	49.00	52.50	56.00	59.50	63.00	66.50	70.00	73.50	77.00	80.50
Tol.	±0.20						±0.30					

ANYTEK

CUSTOMER COPY

ALL RIGHTS RESERVED. REPRODUCTION OR ISSUE TO THIRD PARTIES IN ANY FORM WHATSOEVER IS NOT PERMITTED WITHOUT WRITTEN AUTHORITY FROM THE PROPRIETOR. PROPERTY OF ANYTEK TECHNOLOGY CO., LTD

TITLE		HC 3.5 mm Series (Double row center contact link together with end cover)						
PART NO.		HCxx00x0xxxxG			DWG NO.		8HC0002	
APPROVED	CHECKED	DESIGNED	DRAWN	CUST NO.		Tolerance		
		Runner	Cheng Bo			X. ±0.50		
		2010.12.25	2010.06.02			X.X ±0.30		
SHEET: 01/01		REV.: K				X.XX ±0.10		
						X° ±1°		