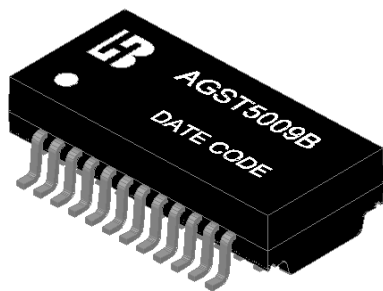


Feature



- Design for 2.5G ethernet application.
- Unsupported POE application.
- Complying with ROHS & Halogen Free requirements.
- Operating temperature range: 0°C to +70°C.
- Storage temperature range: -25°C to +85°C.

Electrical Specifications @ 25°C

Part Number	Turns Ratio (±5%)		OCL (uH Min) @100KHz/0.1V	L.L (uH Max)	C _{ww} (pF Max)	DCR (Ω Max)	HI-POT
	TX	RX					
AGST5009B	1CT:1CT	1CT:1CT	180	0.5	28	0.9	AC1500V/1mA

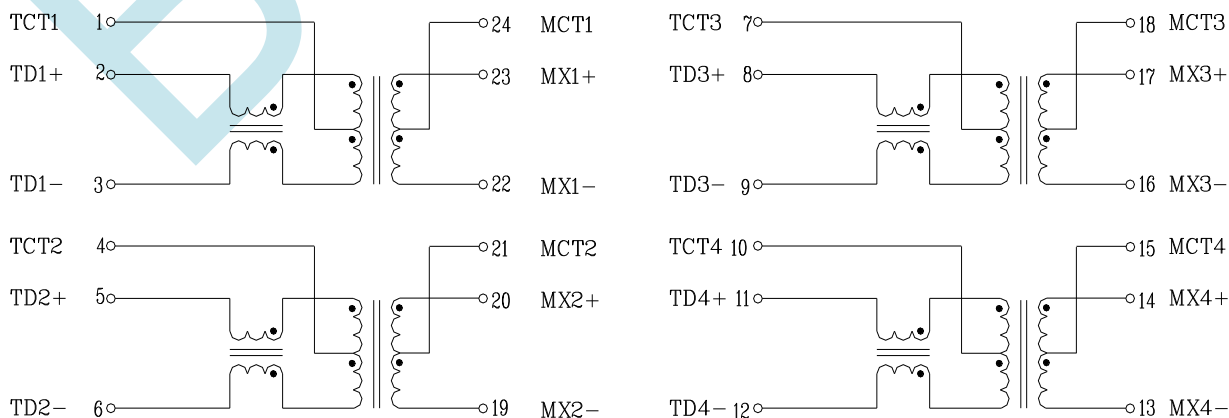
Continue

Part Number	Insertion Loss (dB Max)		Return Loss (dB Min) @Load 100Ω	
	1 ≤ f < 50 MHz	50 ≤ f ≤ 125 MHz	1 ≤ f ≤ 40 MHz	40 < f ≤ 125 MHz
AGST5009B	-0.5	-1	-20	-(20-10log ₁₀ (f/40))

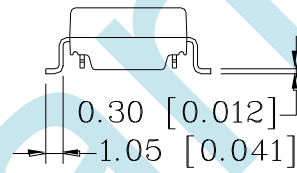
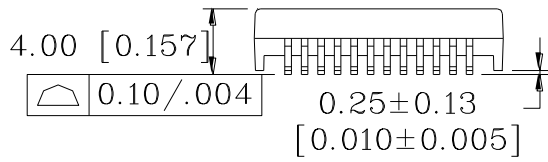
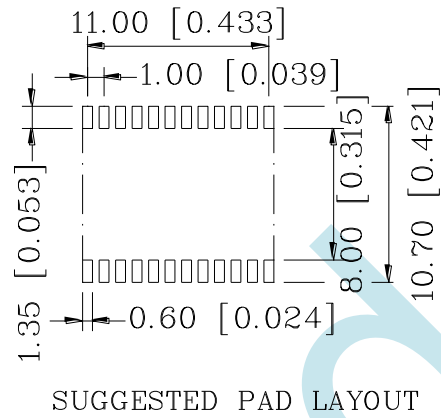
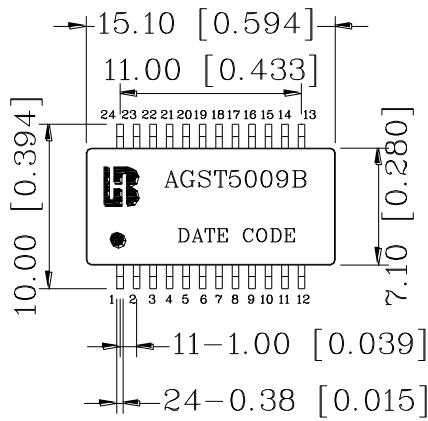
Continue

Part Number	Cross talk (dB Min)		DCMR (dB Min)	
	1 ≤ f ≤ 100 MHz	100 < f ≤ 125MHz	1 < f ≤ 30 MHz	30 < f ≤ 125 MHz
AGST5009B	$20 \log_{10} \left[10^{\frac{35.3-15 \log_{10}(f/100)}{-20}} + 2 \times 10^{\frac{43-20 \log_{10}(f/100)}{-20}} \right]$	-30	-48	-(44-19.2 log ₁₀ (f/50))

Schematic



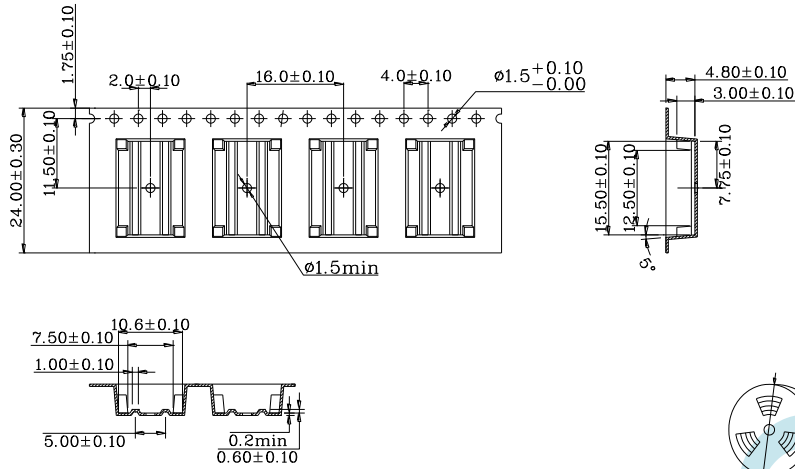
Mechanical



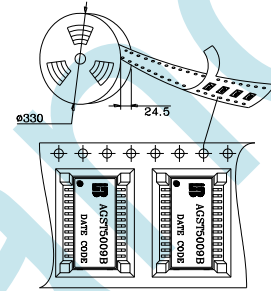
Units: mm[Inches] Tolerances: xx.xx±0.25[0.010]
 0.xx±0.05[0.002]

Bothhand

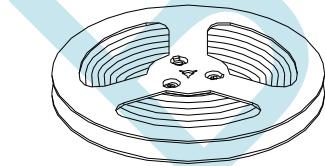
REEL PACKAGE



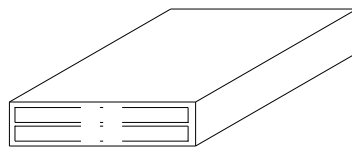
1. 10 sprocket hole pitch cumulative tolerance ± 0.20
2. Material : Black Anti-Static polystyrene.
3. All dimensions meet EIA-481-3 requirements
4. Thickness : 0.40 ± 0.05
5. Component load per 13" reel : 780pcs
6. Carrier camber is within 1 mm in 250 mm
7. Packing length per 22" reel : 41.5Meters



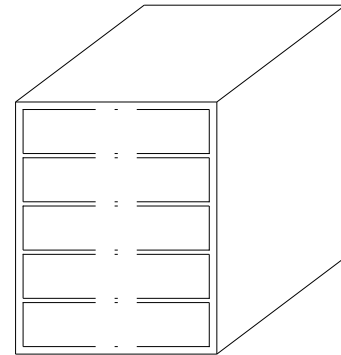
CARTON PACKAGE



REEL



INNER BOX: 347x347x82



OUTER CARTON: 375x375x470

1. 1 Reel=780PCS
2. 1 INNER BOX=2 Reel=1560 PCS
3. 1 OUTER CARTON=5 INNER BOX=5*1560=7800 PCS